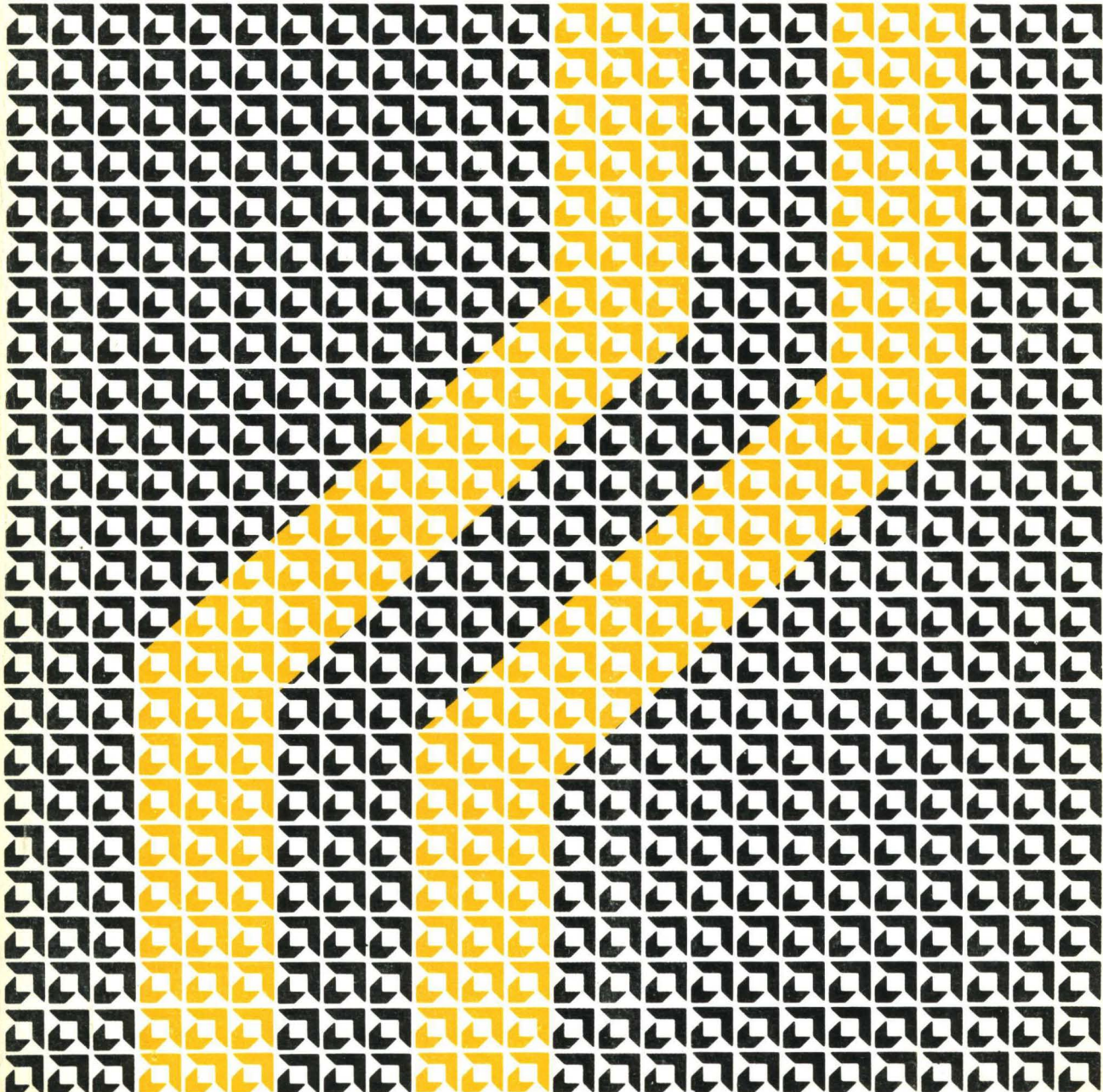




Advanced
Micro
Devices

The Am2900
Family
Data Book



Advanced Micro Devices

The Am2900 Family Data Book With Related Support Circuits

Advanced Micro Devices cannot assume responsibility for use of any circuitry described other than circuitry entirely embodied in an Advanced Micro Devices' product.

TABLE OF CONTENTS

| | | |
|------------|---|-------|
| I. | Introduction | 1-1 |
| II. | Am2900 Family Products | |
| | Am2900 Evaluation and Learning Kit | 2-1 |
| | Am2901A Four-Bit Bipolar Microprocessor Slice | 2-3 |
| | Using the Am2901A | 2-18 |
| | Am2902 High-Speed Look-Ahead Carry Generator | 2-26 |
| | Am2903 Four-Bit Bipolar Microprocessor Slice | 2-30 |
| | Using the Am2903 | 2-39 |
| | Am2904 Status and Shift Control Unit | 2-52 |
| | Am2905 Quad Two-Input OC Bus Transceiver with Three-State Receiver | 2-56 |
| | Am2906 Quad Two-Input OC Bus Transceiver with Parity | 2-62 |
| | Am2907 Quad Bus Transceiver with Three-State Receiver and Parity | 2-68 |
| | Am2909 Microprogram Sequencer | 2-74 |
| | Am2910 Microprogram Controller | 2-88 |
| | Am2911 Microprogram Sequencer | 2-74 |
| | Using the Am2909/11 | 2-83 |
| | Am2913 Priority Interrupt Expander | 2-101 |
| | Am2914 Vectored Priority Interrupt Controller | 2-106 |
| | A Microprogrammable Interrupt Structure | 2-114 |
| | Priority Interrupt Encoder Logic Description | 2-130 |
| | Am2915A Quad Three-State Bus Transceiver with Interface Logic | 2-136 |
| | Am2916A Quad Three-State Bus Transceiver with Interface Logic | 2-142 |
| | Am2917A Quad Three-State Bus Transceiver with Interface Logic | 2-148 |
| | Am2918 Quad D Register with Standard and Three-State Outputs | 2-154 |
| | Am29LS18 Quad D Register with Standard and Three-State Outputs | 2-158 |
| | Am2919 Quad Register with Dual Three-State Outputs | 2-163 |
| | Am2920 Octal D-Type Flip-Flop with Clear, Clock Enable and Three-State Control | 2-168 |
| | Am2921 One-of-Eight Decoder with Three-State Outputs and Polarity Control | 2-173 |
| | Am2922 Eight Input Multiplexer with Control Register | 2-178 |
| | Am2925 System Clock Generator and Driver | 2-183 |
| | Am2930 Program Control Unit | 2-184 |
| | Am2940 DMA Address Generator | 2-194 |
| | Am2941 Programmable Timer/Counter/DMA Address Generator | 2-200 |
| | Am2950/51 8-Bit Parallel I/O Port | 2-208 |
| | Am29700/701 Non-Inverting Schottky 64-Bit Random Access Memories | 2-209 |
| | Am29702/703 Schottky 64-Bit Random Access Memories | 2-213 |
| | Am29704/705 16-Word by 4-Bit Two-Port RAM's | 2-217 |
| | Am29720/721 Low-Power Schottky 256-Bit Random Access Memories | 2-223 |
| | Am29750A/751A 32-Word by 8-Bit PROM's | 2-229 |
| | Am29760A/761A 256-Word by 4-Bit PROM's | 2-235 |
| | Am29770/771 2048-Bit Generic Series Bipolar PROM | 2-241 |
| | Am29774/775 4096-Bit Generic Series Bipolar PROM with Output Register | 2-247 |
| | Am29803A 16-Way Branch Control Unit | 2-256 |
| | Am29811A Next Address Control Unit | 2-261 |
| III. | System 29 | 3-1 |
| IV. | AMDASM | 4-1 |
| V. | Schottky and Low-Power Schottky MSI | 5-1 |
| VI. | MOS LSI | 6-1 |
| VII. | Applications Literature | 7-1 |
| Appendix A | Advanced Micro Devices Commitment to Excellence | A-1 |
| Appendix B | Package Outlines | B-1 |

INTRODUCTION

THREE GENERATIONS OF TTL

Transistor-transistor logic has been the dominant technology for digital circuits since it was developed in the mid-1960's. It has proven itself to be manufacturable in high volume using an extremely reliable process technology. The processes used for TTL have evolved over the years, making components smaller, faster and less expensive. Relative to a TTL gate manufactured in 1966, a gate on a circuit manufactured today occupies 1/5 the area, consumes 1/10 the power, is twice as fast and costs less than 1/100 the price.

The circuits built using TTL technology have gone through two generations; the Am2900 Family represents the beginning of the third. Each generation consists of circuits which are fundamental building blocks of systems – circuits which can be interconnected in many different ways to build many different systems. Only by producing such universal circuits can manufacturing volumes be high enough to generate the rapid cost reductions characteristic of the integrated circuit industry.

The quality which distinguishes one generation from another is the level of integration used, and, because of the level of integration, the philosophy behind the circuit.

If one draws a curve plotting the cost of an individual gate against the number of gates on a chip, Figure 1 results.

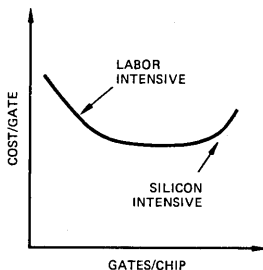


Figure 1.

MPR-001

At the left, cost per gate is inversely proportional to the number of gates on the chip. The chip is small enough that it does not represent a significant portion of the cost of the product – it is virtually free. The cost of the product is composed of labor in assembly and test, the cost of processing an order, shipping and fixed overhead. Doubling the number of gates on the chip doesn't materially affect the cost so the cost per gate halves. As the number of gates per chip increases, the die begins to cost more, reversing the downward trend. As die cost dominates, the cost per gate remains relatively flat until the yield of the die begins to decline markedly. The cost per gate then begins to rise again. The lowest cost per gate is achieved at a level of integration corresponding to the flat region. This is the optimum level of integration.

As technology improves, costs are constantly reduced and the optimum level of integration occurs at more and more gates per chip.

The three curves of Figure 2 are the reason for the three generations of TTL. Each generation has consisted of fundamental system building blocks designed to take advantage of the optimum level of integration at the time.

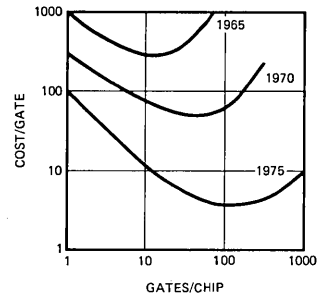


Figure 2.

MPR-002

GENERATION I – SSI, 1965

In 1965, the optimum level of integration was three-to-six gates per chip. Users were delighted to buy such chips at \$10-20 each. The circuits were useful in many systems. They consisted of gates – the 7400, 7410, 7420 – and, pressing the state of the art, some flip-flops. They were fundamental building blocks.

GENERATION II – MSI, 1970

Beginning around 1968, it became economical to put more gates on a chip and the industry was faced with a problem: How does one put 20 gates on a chip and build a universal building block? Clearly, one answer was to bring the inputs and outputs off chip as had been done before. But that was the wrong answer. The right answer was to redefine fundamental building blocks. The new building blocks fell into seven categories:

- Counters
- Decoders
- Multiplexers
- Operators (adders, comparators)
- Encoders
- Registers
- Latches

All systems could be defined in terms of these seven functions, and integrated circuits could be defined at the 20-50 gate/chip level which performed these functions efficiently. This, of course, is MSI. Over the last six or seven years, more and more circuits of this type have been introduced, utilizing standard gold-doped technology, low-power TTL, high-speed TTL, Schottky TTL, and now low-power Schottky TTL technology. Today, there are over 250 different MSI circuits and new ones appear every month. But in today's technology, many of these circuits are not particularly cost effective. They are too small for today's technology and their costs are labor intensive. (Labor costs do not follow traditional semiconductor pricing patterns.) In 1977, the optimum level of integration for bipolar logic is around 500 gates/chip.

GENERATION III – The Am2900 Family, 1976

At a 500-gate-per-chip level of integration, one does not build counters, decoders, and multiplexers. A new definition of fundamental system functions is needed. Advanced Micro Devices has defined these eight categories:

Introduction

- Data Manipulation
- Microprogram Control
- Macroprogram Control
- Priority Interrupt
- Direct Memory Access
- I/O Control
- Memory Control
- Front Panel Control

The Am2900 Family consists of circuits designed to perform those functions efficiently. They are fundamental system building blocks; they contain hundreds of gates per chip; they are fast — utilizing Low-Power Schottky TTL technology; they are expandable; they are flexible — useful in emulation; and they are driven under microprogram control.

THE Am2900 FAMILY

The Am2900 Family consists of a series of LSI building blocks designed for use in microprogrammed computers and controllers. Each device is designed to be expandable and sufficiently flexible to be suitable for emulation of many existing machines. It is the wide variety of machine architectures possible with the Am2900 Family which sets it apart from the fixed-instruction microprocessors such as the Am9080A.

While an Am9080A can be used to build a microcomputer with only four or five packages, an Am2900 design will require 30 or 40 or more. The Am9080A design will, therefore, almost always be cheaper. But the Am9080A, or any other fixed-instruction processor, can execute only one instruction set, so it is not really suitable for emulation of another machine.

Moreover, a fixed-instruction processor operates only on words of a single length, usually eight bits. An Am2900 design, on the other hand, can be constructed for any word length which is a multiple of four bits.

Many applications require specialized operations to be performed at relatively high speed. Such functions as multiply and divide and special graphic control operations, can be done in microcode 10–100 times faster than in fixed-instruction MOS processors.

MICROPROGRAMMED ARCHITECTURE

Most small processors today are being designed using a technique called microprogramming. In microprogrammed systems, a large portion of the system's control is performed by a read only memory (usually PROM) rather than large arrays of gates and flip-flops. This technique frequently reduces the package count in the controller and provides a highly ordered structure in the controller, not present when random logic is used. Moreover, microprogramming makes changes in the machines' instruction set very simple to perform — reducing the post-production engineering costs for the system substantially.

The Am2900 Family of Bipolar LSI devices has been designed for use in microprogrammed systems. Each device performs a basic system function and is driven by a set of control lines from a microinstruction.

Figure 3 illustrates a typical system architecture. There are two "sides" to the system. At the left is the control circuitry and on the right is the data manipulation circuitry. The block labeled "2901 array" consists of the ALU, scratchpad registers, data steering logic (all internal to the Am2901's), plus left/

right shift control and carry lookahead circuit. Data is processed by moving it from main memory (not shown) into the 2901 registers, performing the required operations on it and returning the result to main memory. Memory addresses may also be generated in the 2901's and sent out to the memory address register (MAR). The four status bits from the 2901's ALU are captured in the status register after each operation.

The logic on the left side is the control section of the computer. This is where the Am2909, 2910, or 2911 is used. The entire system is controlled by a memory, usually PROM, which contains long words called microinstructions. Each microinstruction contains bits to control each of the data manipulation elements in the system. There are, for example, nine bits for the 2901 instruction lines, eight bits for the A and B register addresses, two or three bits to control the shifting multiplexers at the ends of the 2901 array (Figure 19 or 2901 data sheet), and bits to control the register enables on the MAR, instruction register, and various bus transceivers. When the bits in a microinstruction are applied to all the data elements and everything is clocked, then one small operation (such as a data transfer or a register-to-register add) will occur.

A "machine instruction" (such as a minicomputer instruction or a 9080A instruction) is performed by executing several microinstructions in sequence. Each microinstruction therefore contains not only bits to control the data hardware, but also bits to define the location in PROM of the next microinstruction to be executed. The fields are labeled in Figure 3 as I, CC, and BA. The I field controls the sequencer. It indicates where the next address is located — the μ PC, the stack, or the direct inputs — and whether the stack is to be pushed or popped.

The CC field contains bits indicating the conditions under which the I field applies. These are compared with the condition codes in the status register and may cause modification to the I field. The comparing and modification occurs in the block labeled "control logic". Frequently this is a PROM or PLA. In the case of the Am2910, it is built into the chip. The BA field is a branch address or the address of a subroutine.

PIPELINING

The address for the microinstructions is generated by the sequencer, starting from a clock edge. The address goes from the sequencer to the ROM and, an access time later, the microinstruction is at the ROM outputs.

A pipeline register is a register placed on the output of the microprogram memory to essentially split the system in two. The pipeline register contains the microinstruction currently being executed ①. (Refer to the circled numbers in Figure 3.) The data manipulation control bits go out to the system elements and a portion of the microinstruction is returned to the sequencer ② to determine the address of the next microinstruction to be executed. That address ③ is sent to the ROM and the next microinstruction ④ sits at the input of the pipeline register. So while the 2901's are executing one instruction, the next instruction is being fetched from ROM. Note that there is no sequential logic in the sequencer between the select lines and the output. This is important because the loop ① to ② to ③ to ④ must occur during a single clock cycle. During the same time, the loop from ① to ⑤ must occur in the 2901's. These two paths are roughly the same (around 200ns worst case for a 16-bit system). The presence of the pipeline register allows the microinstruction fetch to occur in parallel with the data operation rather than serially, allowing the clock frequency to be doubled.

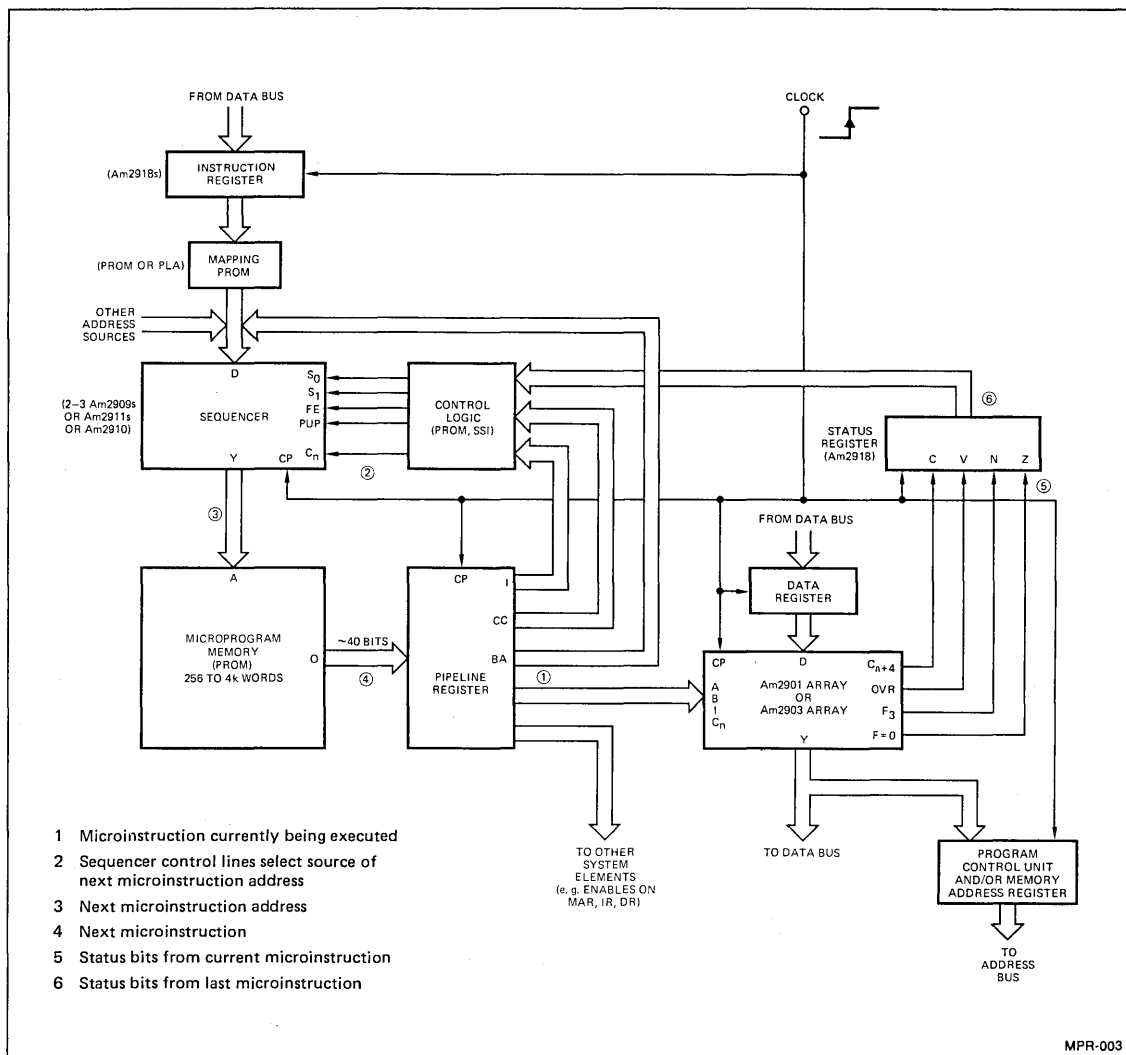


Figure 3.

The system shown in Figure 3 works as follows. A sequence of microinstructions in the PROM is executed to fetch an instruction from main memory. This requires that the program counter, often in a 2901 working register, be sent to the memory address register and incremented. The data returned from memory is loaded into the instruction register. The contents of the instruction register is passed through a PROM or PLA to generate the address of the first microinstruction which must be executed to perform the required function. A branch to this address occurs through the sequencer. Several microinstructions may be executed to fetch data from memory, perform ALU operations, test for overflow, and so forth. Then a branch will be made back to the instruction fetch cycle. At this point, there may be branches to other sections of micro-

code. For example, the machine might test for an interrupt here and obtain an interrupt service routine address from another mapping ROM rather than start on the next machine instruction. There are obviously many possibilities. Throughout this data book, in application notes, and within data sheets, some suggested techniques will be found.

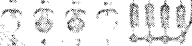
Additional application notes are in preparation and are planned for publication. Advanced Micro Devices' Applications' staff is available to answer questions and provide technical assistance as well. They may be reached by calling (408) 732-2400, or, outside California (800) 538-8450. Ask for Am2900 Family Applications.



Advanced
Micro
Devices

Am 2900
Evaluation
& Learning
Kit

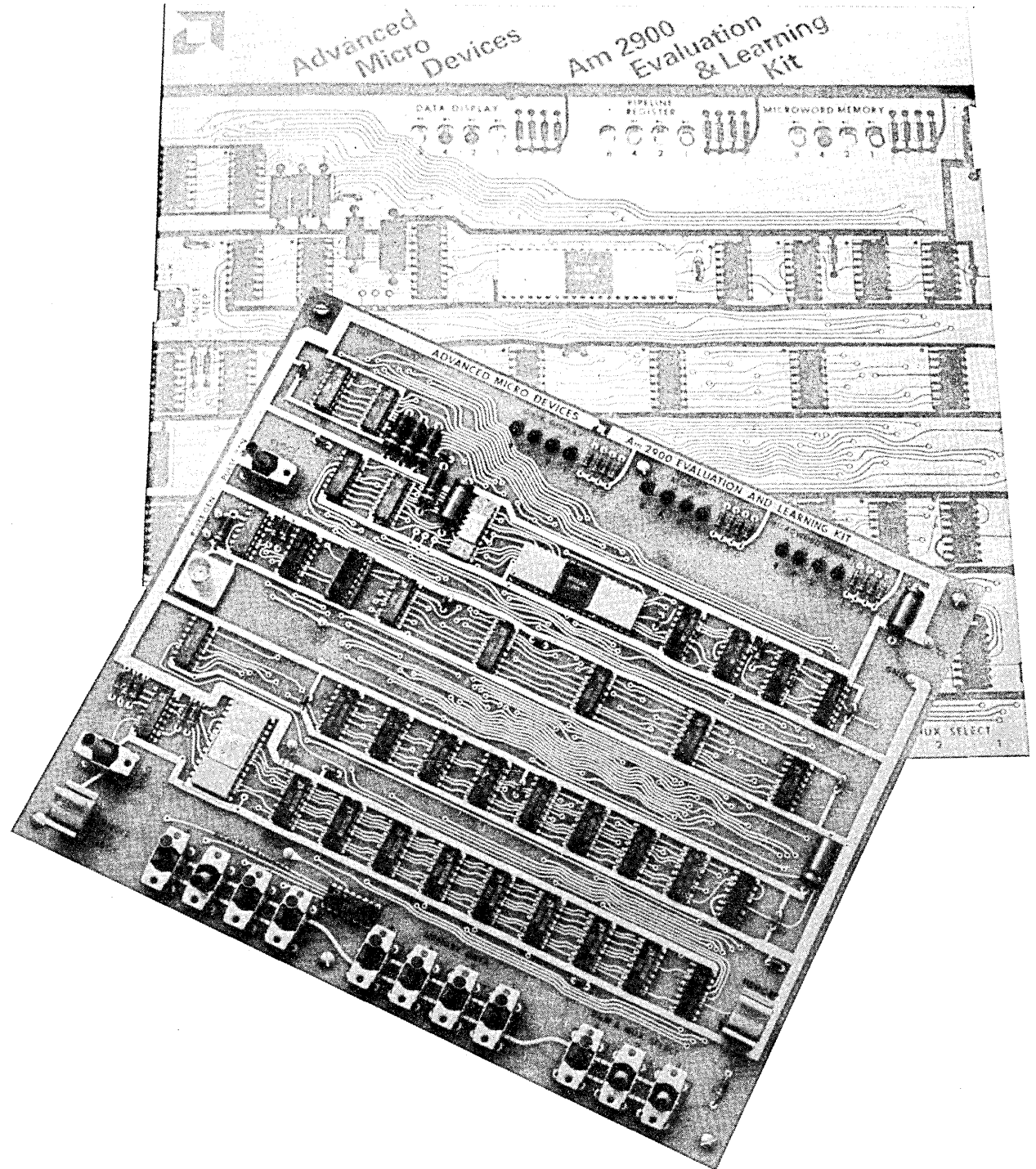
DATA DISPLAY



PIPELINE
REGISTER



MICROWORD MEMORY



LUX SELECT
2
1

THE Am2900 EVALUATION AND LEARNING KIT

Pictured at the left is the Am2900 Evaluation Kit. The system consists of a microprogrammed control unit which controls all the inputs to an Am2901A microprocessor slice. Thirty-two bit microinstructions are entered into a RAM in the control unit using the switch register. Each microinstruction contains bits to control the Am2901A's A and B addresses, instruction, carry in, and data input. Additional bits in the microinstruction control an Am2909 sequencer which generates the addresses for the microprogram memory. Once entered, microinstructions may be executed using a single step clock or using a pulse generator. The LED display provides access to nearly every signal path in the system.

Sixteen "sequence control" instructions are available, including execute, branch conditional, jump-to-subroutine, return, and loop. Because the set of sequence instructions is implemented in a PROM, the user can devise his own set of operations by programming a new PROM.

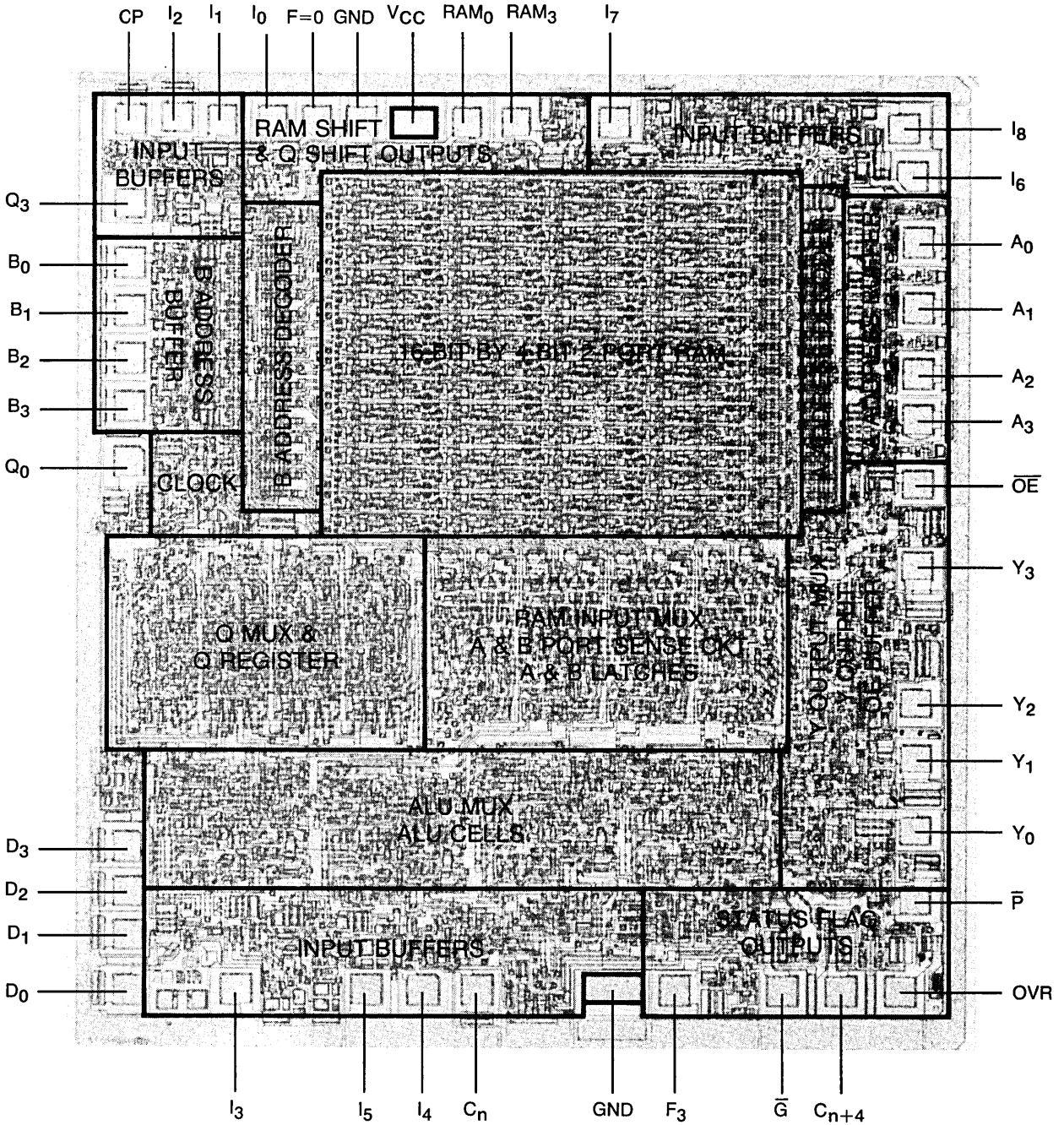
The kit is supplied with 40 IC's, all resistors, capacitors, LED's and switches, the PC board, and a manual containing assembly instructions, theory and a set of exercises. The user need only solder the components in place and attach a 5 V power supply (2.0 ampere rating).

Working with the kit, the user will gain familiarity with a high performance pipelined microprogrammed architecture, and with the operation of the Am2909 and Am2901A. By driving the kit from a pulse generator, the user can observe the operation of the components in real time, executing real instructions.

The part number for this kit is Am2900K1.

Am2901A

Photomicrograph



Am2901A

Four-Bit Bipolar Microprocessor Slice

DISTINCTIVE CHARACTERISTICS

- Two-address architecture – Independent simultaneous access to two working registers saves machine cycles.
- Eight-function ALU – Performs addition, two subtraction operations, and five logic functions on two source operands.
- Flexible data source selection – ALU data is selected from five source ports for a total of 203 source operand pairs for every ALU function.
- Left/right shift independent of ALU – Add and shift operations take only one cycle.
- Four status flags – Carry, overflow, zero, and negative.
- Expandable – Connect any number of Am2901A's together for longer word lengths.
- Microprogrammable – Three groups of three bits each for source operand, ALU function, and destination control.

GENERAL DESCRIPTION

The four-bit bipolar microprocessor slice is designed as a high-speed cascadable element intended for use in CPU's, peripheral controllers, programmable microprocessors and numerous other applications. The microinstruction flexibility of the Am2901A will allow efficient emulation of almost any digital computing machine.

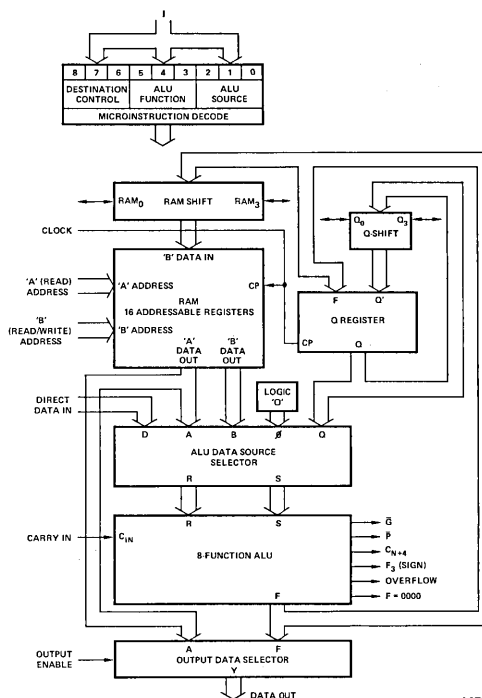
The device, as shown in the block diagram below, consists of a 16-word by 4-bit two-port RAM, a high-speed ALU, and the associated shifting, decoding and multiplexing circuitry. The nine-bit microinstruction word is organized into three groups of three bits each and selects the ALU source operands, the ALU function, and the ALU destination register. The microprocessor is cascadable with full look-ahead or with ripple carry, has three-state outputs, and provides various status flag outputs from the ALU. Advanced low-power Schottky processing is used to fabricate this 40-lead LSI chip.

The Am2901A is a pin-for-pin replacement for the Am2901 with increased speed, better output drive and reduced power supply current.

TABLE OF CONTENTS

| | |
|--------------------------------|----------|
| Photomicrograph | 2-2 |
| Block Diagrams | 2-3, 2-5 |
| Function Tables | 2-6 |
| Order Codes | 2-8 |
| Connection Diagram | 2-9 |
| Pin Definitions | 2-9 |
| Metallization Pattern | 2-9 |
| Screening | 2-10 |
| DC Characteristics | 2-11 |
| AC Characteristics | 2-13 |
| Switching Waveforms | 2-14 |
| Speed Calculations | 2-15 |
| Burn-in Circuit | 2-17 |
| I/O Interface Conditions | 2-17 |
| Applications | 2-18 |

MICROPROCESSOR SLICE BLOCK DIAGRAM



MPR-004

ARCHITECTURE

A detailed block diagram of the bipolar microprogrammable microprocessor structure is shown in Figure 1. The circuit is a four-bit slice cascable to any number of bits. Therefore, all data paths within the circuit are four bits wide. The two key elements in the Figure 1 block diagram are the 16-word by 4-bit 2-port RAM and the high-speed ALU.

Data in any of the 16 words of the Random Access Memory (RAM) can be read from the A-port of the RAM as controlled by the 4-bit A address field input. Likewise, data in any of the 16 words of the RAM as defined by the B address field input can be simultaneously read from the B-port of the RAM. The same code can be applied to the A select field and B select field in which case the identical file data will appear at both the RAM A-port and B-port outputs simultaneously.

When enabled by the RAM write enable (RAM EN), new data is always written into the file (word) defined by the B address field of the RAM. The RAM data input field is driven by a 3-input multiplexer. This configuration is used to shift the ALU output data (F) if desired. This three-input multiplexer scheme allows the data to be shifted up one bit position, shifted down one bit position, or not shifted in either direction.

The RAM A-port data outputs and RAM B-port data outputs drive separate 4-bit latches. These latches hold the RAM data while the clock input is LOW. This eliminates any possible race conditions that could occur while new data is being written into the RAM.

The high-speed Arithmetic Logic Unit (ALU) can perform three binary arithmetic and five logic operations on the two 4-bit input words R and S. The R input field is driven from a 2-input multiplexer, while the S input field is driven from a 3-input multiplexer. Both multiplexers also have an inhibit capability; that is, no data is passed. This is equivalent to a "zero" source operand.

Referring to Figure 1, the ALU R-input multiplexer has the RAM A-port and the direct data inputs (D) connected as inputs. Likewise, the ALU S-input multiplexer has the RAM A-port, the RAM B-port and the Q register connected as inputs.

This multiplexer scheme gives the capability of selecting various pairs of the A, B, D, Q and "0" inputs as source operands to the ALU. These five inputs, when taken two at a time, result in ten possible combinations of source operand pairs. These combinations include AB, AD, AQ, A0, BD, BQ, B0, DQ, D0 and Q0. It is apparent that AD, AQ and A0 are somewhat redundant with BD, BQ and B0 in that if the A address and B address are the same, the identical function results. Thus, there are only seven completely non-redundant source operand pairs for the ALU. The Am2901A microprocessor implements eight of these pairs. The microinstruction inputs used to select the ALU source operands are the I₀, I₁, and I₂ inputs. The definition of I₀, I₁, and I₂ for the eight source operand combinations are as shown in Figure 2. Also shown is the octal code for each selection.

The two source operands not fully described as yet are the D input and Q input. The D input is the four-bit wide direct data field input. This port is used to insert all data into the working registers inside the device. Likewise, this input can be used in the ALU to modify any of the internal data files. The Q register is a separate 4-bit file intended primarily for multiplication and division routines but it can also be used as an accumulator or holding register for some applications.

The ALU itself is a high-speed arithmetic/logic operator capable of performing three binary arithmetic and five logic functions. The I₃, I₄, and I₅ microinstruction inputs are used to select the

ALU function. The definition of these inputs is shown in Figure 3. The octal code is also shown for reference. The normal technique for cascading the ALU of several devices is in a look-ahead carry mode. Carry generate, \bar{G} , and carry propagate, \bar{P} , are outputs of the device for use with a carry-look-ahead-generator such as the Am2902 ('182). A carry-out, C_{n+4}, is also generated and is available as an output for use as the carry flag in a status register. Both carry-in (C_n) and carry-out (C_{n+4}) are active HIGH.

The ALU has three other status-oriented outputs. These are F₃, F = 0, and overflow (OVR). The F₃ output is the most significant (sign) bit of the ALU and can be used to determine positive or negative results without enabling the three-state data outputs. F₃ is non-inverted with respect to the sign bit output Y₃. The F = 0 output is used for zero detect. It is an open-collector output and can be wire OR'ed between microprocessor slices. F = 0 is HIGH when all F outputs are LOW. The overflow output (OVR) is used to flag arithmetic operations that exceed the available two's complement number range. The overflow output (OVR) is HIGH when overflow exists. That is, when C_{n+3} and C_{n+4} are not the same polarity.

The ALU data output is routed to several destinations. It can be a data output of the device and it can also be stored in the RAM or the Q register. Eight possible combinations of ALU destination functions are available as defined by the I₆, I₇, and I₈ microinstruction inputs. These combinations are shown in Figure 4.

The four-bit data output field (Y) features three-state outputs and can be directly bus organized. An output control (OE) is used to enable the three-state outputs. When OE is HIGH, the Y outputs are in the high-impedance state.

A two-input multiplexer is also used at the data output such that either the A-port of the RAM or the ALU outputs (F) are selected at the device Y outputs. This selection is controlled by the I₆, I₇, and I₈ microinstruction inputs. Refer to Figure 4 for the selected output for each microinstruction code combination.

As was discussed previously, the RAM inputs are driven from a three-input multiplexer. This allows the ALU outputs to be entered non-shifted, shifted up one position (X2) or shifted down one position ($\div 2$). The shifter has two ports; one is labeled RAM₀ and the other is labeled RAM₃. Both of these ports consist of a buffer-driver with a three-state output and an input to the multiplexer. Thus, in the shift up mode, the RAM₃ buffer is enabled and the RAM₀ multiplexer input is enabled. Likewise, in the shift down mode, the RAM₀ buffer and RAM₃ input are enabled. In the no-shift mode, both buffers are in the high-impedance state and the multiplexer inputs are not selected. This shifter is controlled from the I₆, I₇ and I₈ microinstruction inputs as defined in Figure 4.

Similarly, the Q register is driven from a 3-input multiplexer. In the no-shift mode, the multiplexer enters the ALU data into the Q register. In either the shift-up or shift-down mode, the multiplexer selects the Q register data appropriately shifted up or down. The Q shifter also has two ports; one is labeled Q₀ and the other is Q₃. The operation of these two ports is similar to the RAM shifter and is also controlled from I₆, I₇, and I₈ as shown in Figure 4.

The clock input to the Am2901A controls the RAM, the Q register, and the A and B data latches. When enabled, data is clocked into the Q register on the LOW-to-HIGH transition of the clock. When the clock input is HIGH, the A and B latches are open and will pass whatever data is present at the RAM outputs. When the clock input is LOW, the latches are closed and will retain the last data entered. If the RAM-EN is enabled, new data will be written into the RAM file (word) defined by the B address field when the clock input is LOW.

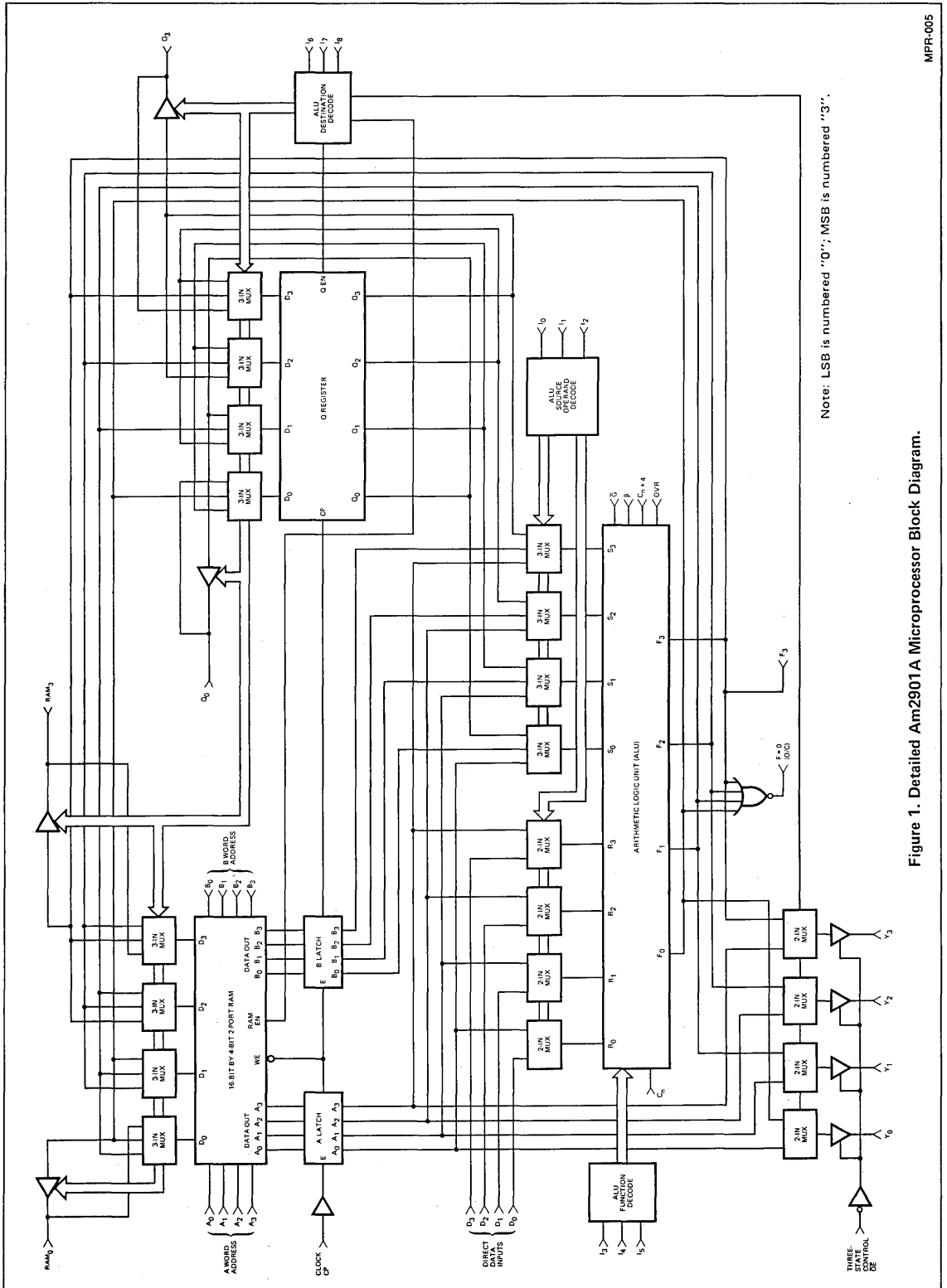


Figure 1. Detailed Am2901A Microprocessor Block Diagram.

| Mnemonic | MICRO CODE | | | | ALU SOURCE OPERANDS | |
|----------|----------------|----------------|----------------|------------|---------------------|---|
| | I ₂ | I ₁ | I ₀ | Octal Code | R | S |
| AQ | L | L | L | 0 | A | Q |
| AB | L | L | H | 1 | A | B |
| ZQ | L | H | L | 2 | O | Q |
| ZB | L | H | H | 3 | O | B |
| ZA | H | L | L | 4 | O | A |
| DA | H | L | H | 5 | D | A |
| DQ | H | H | L | 6 | D | Q |
| DZ | H | H | H | 7 | D | O |

Figure 2. ALU Source Operand Control.

| Mnemonic | MICRO CODE | | | | ALU Function | SYMBOL |
|----------|----------------|----------------|----------------|------------|-----------------|------------------------|
| | I ₅ | I ₄ | I ₃ | Octal Code | | |
| ADD | L | L | L | 0 | R Plus S | R + S |
| SUBR | L | L | H | 1 | S Minus R | S - R |
| SUBS | L | H | L | 2 | R Minus S | R - S |
| OR | L | H | H | 3 | R OR S | R ∨ S |
| AND | H | L | L | 4 | R AND S | R ∧ S |
| NOTRS | H | L | H | 5 | \bar{R} AND S | $\bar{R} \wedge S$ |
| EXOR | H | H | L | 6 | R EX-OR S | R ∨̄ S |
| EXNOR | H | H | H | 7 | R EX-NOR S | $\bar{R} \vee \bar{S}$ |

Figure 3. ALU Function Control.

| Mnemonic | MICRO CODE | | | | RAM FUNCTION | | Q-REG. FUNCTION | | Y OUTPUT | RAM SHIFTER | | Q SHIFTER | |
|----------|----------------|----------------|----------------|------------|--------------|---------|-----------------|---------|----------|------------------|------------------|-----------------|-----------------|
| | I ₈ | I ₇ | I ₆ | Octal Code | Shift | Load | Shift | Load | | RAM ₀ | RAM ₃ | Q ₀ | Q ₃ |
| QREG | L | L | L | 0 | X | NONE | NONE | F → Q | F | X | X | X | X |
| NOP | L | L | H | 1 | X | NONE | X | NONE | F | X | X | X | X |
| RAMA | L | H | L | 2 | NONE | F → B | X | NONE | A | X | X | X | X |
| RAMF | L | H | H | 3 | NONE | F → B | X | NONE | F | X | X | X | X |
| RAMQD | H | L | L | 4 | DOWN | F/2 → B | DOWN | Q/2 → Q | F | F ₀ | IN ₃ | Q ₀ | IN ₃ |
| RAMD | H | L | H | 5 | DOWN | F/2 → B | X | NONE | F | F ₀ | IN ₃ | Q ₀ | X |
| RAMQU | H | H | L | 6 | UP | 2F → B | UP | 2Q → Q | F | IN ₀ | F ₃ | IN ₀ | Q ₃ |
| RAMU | H | H | H | 7 | UP | 2F → B | X | NONE | F | IN ₀ | F ₃ | X | Q ₃ |

X = Don't care. Electrically, the shift pin is a TTL input internally connected to a three-state output which is in the high-impedance state
 B = Register Addressed by B inputs.
 UP is toward MSB, DOWN is toward LSB.

Figure 4. ALU Destination Control.

| OCTAL | I ₂₁₀ | ALU Source / ALU Function | 0 | 1 | 2 | 3 | 4 | 5 | 6 | 7 |
|-------|---|---------------------------|-----------------------|--|-----------|-----------|-----------------------|-----------------------|-----------|-----|
| | | | 0 | C _n = L R Plus S C _n = H | A+Q | A+B | Q | B | A | D+A |
| 1 | C _n = L S Minus R C _n = H | Q-A-1 | B-A-1 | Q-1 | B-1 | A-1 | A-D-1 | Q-D-1 | -D-1 | |
| 2 | C _n = L R Minus S C _n = H | A-Q-1 | A-B-1 | -Q-1 | -B-1 | -A-1 | D-A-1 | D-Q-1 | D-1 | |
| 3 | R OR S | A ∨ Q | A ∨ B | Q | B | A | D ∨ A | D ∨ Q | D | |
| 4 | R AND S | A ∧ Q | A ∧ B | 0 | 0 | 0 | D ∧ A | D ∧ Q | 0 | |
| 5 | \bar{R} AND S | $\bar{A} \wedge Q$ | $\bar{A} \wedge B$ | Q | B | A | $\bar{D} \wedge A$ | $\bar{D} \wedge Q$ | 0 | |
| 6 | R EX-OR S | A ∨̄ Q | A ∨̄ B | Q | B | A | D ∨̄ A | D ∨̄ Q | D | |
| 7 | R EX-NORS | $\overline{A \vee Q}$ | $\overline{A \vee B}$ | \bar{Q} | \bar{B} | \bar{A} | $\overline{D \vee A}$ | $\overline{D \vee Q}$ | \bar{D} | |

+ = Plus; - = Minus; ∨ = OR; ∧ = AND; ∨̄ = EX-OR

Figure 5. Source Operand and ALU Function Matrix.

SOURCE OPERANDS AND ALU FUNCTIONS

There are eight source operand pairs available to the ALU as selected by the I_0 , I_1 , and I_2 instruction inputs. The ALU can perform eight functions; five logic and three arithmetic. The I_3 , I_4 , and I_5 instruction inputs control this function selection. The carry input, C_n , also affects the ALU results when in the arithmetic mode. The C_n input has no effect in the logic mode. When I_0 through I_5 and C_n are viewed together, the matrix of

Figure 5 results. This matrix fully defines the ALU/source operand function for each state.

The ALU functions can also be examined on a "task" basis, i.e., add, subtract, AND, OR, etc. In the arithmetic mode, the carry will affect the function performed while in the logic mode, the carry will have no bearing on the ALU output. Figure 6 defines the various logic operations that the Am2901A can perform and Figure 7 shows the arithmetic functions of the device. Both carry-in LOW ($C_n = 0$) and carry-in HIGH ($C_n = 1$) are defined in these operations.

| Octal I543, I210 | Group | Function |
|--------------------------|--------|--|
| 4 0 4 1 4 5 4 6 | AND | $A \wedge Q$ $A \wedge B$ $D \wedge A$ $D \wedge Q$ |
| 3 0 3 1 3 5 3 6 | OR | $A \vee Q$ $A \vee B$ $D \vee A$ $D \vee Q$ |
| 6 0 6 1 6 5 6 6 | EX-OR | $A \vee Q$ $A \vee B$ $D \vee A$ $D \vee Q$ |
| 7 0 7 1 7 5 7 6 | EX-NOR | $\overline{A \vee Q}$ $\overline{A \vee B}$ $\overline{D \vee A}$ $\overline{D \vee Q}$ |
| 7 2 7 3 7 4 7 7 | INVERT | \overline{Q} \overline{B} \overline{A} \overline{D} |
| 6 2 6 3 6 4 6 7 | PASS | Q B A D |
| 3 2 3 3 3 4 3 7 | PASS | Q B A D |
| 4 2 4 3 4 4 4 7 | "ZERO" | 0 0 0 0 |
| 5 0 5 1 5 5 5 6 | MASK | $\overline{A} \wedge Q$ $\overline{A} \wedge B$ $\overline{D} \wedge A$ $\overline{D} \wedge Q$ |

Figure 6. ALU Logic Mode Functions.

| Octal I543, I210 | $C_n = 0$ (Low) | | $C_n = 1$ (High) | |
|--|------------------------|--------------------|------------------------|------------------|
| | Group | Function | Group | Function |
| 0 0 0 1 0 5 0 6 | ADD | A+Q | ADD plus one | A+Q+1 |
| | | A+B | | A+B+1 |
| | | D+A | | D+A+1 |
| | | D+Q | | D+Q+1 |
| 0 2 0 3 0 4 0 7 | PASS | Q | Increment | Q+1 |
| | | B | | B+1 |
| | | A | | A+1 |
| | | D | | D+1 |
| 1 2 1 3 1 4 2 7 | Decrement | Q-1 | PASS | Q |
| | | B-1 | | B |
| | | A-1 | | A |
| | | D-1 | | D |
| 2 2 2 3 2 4 1 7 | 1's Comp. | $\overline{Q-1}$ | 2's Comp. (Negate) | \overline{Q} |
| | | $\overline{B-1}$ | | \overline{B} |
| | | $\overline{A-1}$ | | \overline{A} |
| | | $\overline{D-1}$ | | \overline{D} |
| 1 0 1 1 1 5 1 6 2 0 2 1 2 5 2 6 | Subtract (1's Comp) | $\overline{Q-A-1}$ | Subtract (2's Comp) | $\overline{Q-A}$ |
| | | $\overline{B-A-1}$ | | $\overline{B-A}$ |
| | | $\overline{A-D-1}$ | | $\overline{A-D}$ |
| | | $\overline{Q-D-1}$ | | $\overline{Q-D}$ |
| | | $\overline{A-Q-1}$ | | $\overline{A-Q}$ |
| | | $\overline{A-B-1}$ | | $\overline{A-B}$ |
| | | $\overline{D-A-1}$ | | $\overline{D-A}$ |
| | | $\overline{D-Q-1}$ | | $\overline{D-Q}$ |

Figure 7. ALU Arithmetic Mode Functions.

Am2901A

LOGIC FUNCTIONS FOR G, P, C_{n+4}, AND OVR

The four signals G, P, C_{n+4}, and OVR are designed to indicate carry and overflow conditions when the Am2901A is in the add or subtract mode. The table below indicates the logic equations for these four signals for each of the eight ALU functions. The R and S inputs are the two inputs selected according to Figure 2.

Definitions (+ = OR)

$$\begin{aligned}
 P_0 &= R_0 + S_0 & G_0 &= R_0 S_0 \\
 P_1 &= R_1 + S_1 & G_1 &= R_1 S_1 \\
 P_2 &= R_2 + S_2 & G_2 &= R_2 S_2 \\
 P_3 &= R_3 + S_3 & G_3 &= R_3 S_3 \\
 C_4 &= G_3 + P_3 G_2 + P_3 P_2 G_1 + P_3 P_2 P_1 G_0 + P_3 P_2 P_1 P_0 C_n \\
 C_3 &= G_2 + P_2 G_1 + P_2 P_1 G_0 + P_2 P_1 P_0 C_n
 \end{aligned}$$

| I ₅₄₃ | Function | \bar{P} | \bar{G} | C _{n+4} | OVR |
|------------------|-----------------------|---|---|--|------------------------------------|
| 0 | R + S | $\overline{P_3 P_2 P_1 P_0}$ | $\overline{G_3 + P_3 G_2 + P_3 P_2 G_1 + P_3 P_2 P_1 G_0}$ | C ₄ | C ₃ ∨ C ₄ |
| 1 | S - R | ← Same as R + S equations, but substitute \bar{R}_i for R _i in definitions → | | | |
| 2 | R - S | ← Same as R + S equations, but substitute \bar{S}_i for S _i in definitions → | | | |
| 3 | R ∨ S | LOW | $P_3 P_2 P_1 P_0$ | $\overline{P_3 P_2 P_1 P_0} + C_n$ | $\overline{P_3 P_2 P_1 P_0} + C_n$ |
| 4 | R ∧ S | LOW | $\overline{G_3 + G_2 + G_1 + G_0}$ | $G_3 + G_2 + G_1 + G_0 + C_n$ | $G_3 + G_2 + G_1 + G_0 + C_n$ |
| 5 | $\bar{R} \wedge S$ | LOW | ← Same as R ∧ S equations, but substitute \bar{R}_i for R _i in definitions → | | |
| 6 | R ∨ \bar{S} | ← Same as $\bar{R} \wedge S$, but substitute \bar{R}_i for R _i in definitions → | | | |
| 7 | $\overline{R \vee S}$ | $G_3 + G_2 + G_1 + G_0$ | $G_3 + P_3 G_2 + P_3 P_2 G_1 + P_3 P_2 P_1 P_0$ | $\overline{G_3 + P_3 G_2 + P_3 P_2 G_1 + P_3 P_2 P_1 P_0} + C_n$ | See note |

Note: $[\bar{P}_2 + \bar{G}_2 \bar{P}_1 + \bar{G}_2 \bar{G}_1 \bar{P}_0 + \bar{G}_2 \bar{G}_1 \bar{G}_0 C_n] \vee [\bar{P}_3 + \bar{G}_3 \bar{P}_2 + \bar{G}_3 \bar{G}_2 \bar{P}_1 + \bar{G}_3 \bar{G}_2 \bar{G}_1 \bar{P}_0 + \bar{G}_3 \bar{G}_2 \bar{G}_1 \bar{G}_0 C_n]$ + = OR

Figure 8.

ORDERING INFORMATION

Order the part number according to the table below to obtain the desired package, temperature range, and screening level.

| Order Number | Package Type (Note 1) | Temperature Range (Note 2) | Screening Level (Note 3) |
|--------------|--------------------------|-------------------------------|--|
| AM2901APC | P-40 | C | C-1 |
| AM2901ADC | D-40 | C | C-1 |
| AM2901ADC-B | D-40 | C | B-1 |
| AM2901ADM | D-40 | M | C-3 |
| AM2901ADM-B | D-40 | M | B-3 |
| AM2901AFM | F-42 | M | C-3 |
| AM2901AFM-B | F-42 | M | B-3 |
| AM2901AXC | Dice | C | Visual inspection to MIL-STD-883 Method 2010B. |
| AM2901AXM | Dice | M | |

Notes: 1. P = Molded DIP, D = Hermetic DIP, F = Flat Pak. Number following letter is number of leads. See Appendix B for detailed outline. Where Appendix B contains several dash numbers, any of the variations of the package may be used unless otherwise specified.

2. C = 0°C to +70°C, M = -55°C to +125°C.

3. See Appendix A for details of screening. Levels C-1 and C-3 conform to MIL-STD-883, Class C. Level B-3 conforms to MIL-STD-883, Class B.

Figure 9.

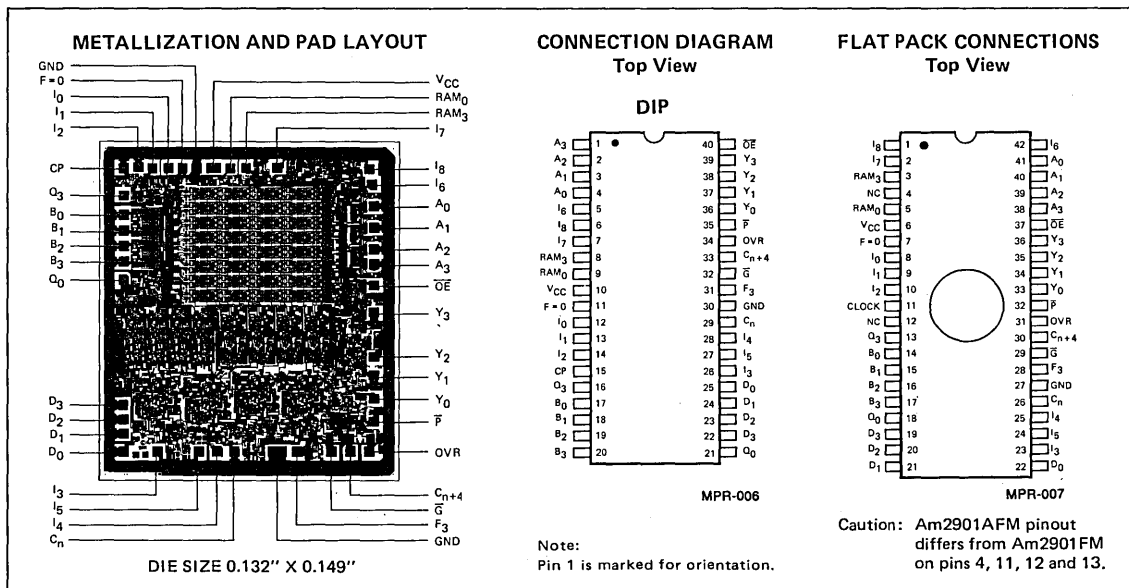


Figure 10.

PIN DEFINITIONS

- A₀₋₃** The four address inputs to the register stack used to select one register whose contents are displayed through the A-port.
- B₀₋₃** The four address inputs to the register stack used to select one register whose contents are displayed through the B-port and into which new data can be written when the clock goes LOW.
- I₀₋₈** The nine instruction control lines to the Am2901A, used to determine what data sources will be applied to the ALU (I₀₁₂), what function the ALU will perform (I₃₄₅), and what data is to be deposited in the Q-register or the register stack (I₆₇₈).
- Q₃** A shift line at the MSB of the Q register (Q₃) and the register stack (RAM₃). Electrically these lines are three-state outputs connected to TTL inputs internal to the Am2901A. When the destination code on I₆₇₈ indicates an up shift (octal 6 or 7) the three-state outputs are enabled and the MSB of the Q register is available on the Q₃ pin and the MSB of the ALU output is available on the RAM₃ pin. Otherwise, the three-state outputs are OFF (high-impedance) and the pins are electrically LS-TTL inputs. When the destination code calls for a down shift, the pins are used as the data inputs to the MSB of the Q register (octal 4) and RAM (octal 4 or 5).
- Q₀** Shift lines like Q₃ and RAM₃, but at the LSB of the Q-register and RAM. These pins are tied to the Q₃ and RAM₃ pins of the adjacent device to transfer data between devices for up and down shifts of the Q register and ALU data.
- D₀₋₃** Direct data inputs. A four-bit data field which may be selected as one of the ALU data sources for entering data into the Am2901A. D₀ is the LSB.

- Y₀₋₃** The four data outputs of the Am2901A. These are three-state output lines. When enabled, they display either the four outputs of the ALU or the data on the A-port of the register stack, as determined by the destination code I₆₇₈.
- \overline{OE}** Output Enable. When \overline{OE} is HIGH, the Y outputs are OFF; when \overline{OE} is LOW, the Y outputs are active (HIGH or LOW).
- $\overline{P}, \overline{G}$** The carry generate and propagate outputs of the Am2901A's ALU. These signals are used with the Am2902 for carry-lookahead.
- OVR** Overflow. This pin is logically the Exclusive-OR of the carry-in and carry-out of the MSB of the ALU. At the most significant end of the word, this pin indicates that the result of an arithmetic two's complement operation has overflowed into the sign-bit.
- F = 0** This is an open collector output which goes HIGH (OFF) if the data on the four ALU outputs F₀₋₃ are all LOW. In positive logic, it indicates the result of an ALU operation is zero.
- F₃** The most significant ALU output bit.
- C_n** The carry-in to the Am2901A's ALU.
- C_{n+4}** The carry-out of the Am2901A's ALU.
- CP** The clock to the Am2901A. The Q register and register stack outputs change on the clock LOW-to-HIGH transition. The clock LOW time is internally the write enable to the 16 x 4 RAM which comprises the "master" latches of the register stack. While the clock is LOW, the "slave" latches on the RAM outputs are closed, storing the data previously on the RAM outputs. This allows synchronous master-slave operation of the register stack.

MAXIMUM RATINGS (Above which the useful life may be impaired)

| | |
|---|---------------------------------|
| Storage Temperature | -65°C to +150°C |
| Temperature (Ambient) Under Bias | -55°C to +125°C |
| Supply Voltage to Ground Potential | -0.5 V to +7.0 V |
| DC Voltage Applied to Outputs for HIGH Output State | -0.5 V to +V _{CC} max. |
| DC Input Voltage | -0.5 V to +5.5 V |
| DC Output Current, Into Outputs | 30 mA |
| DC Input Current | -30 mA to +5.0 mA |

OPERATING RANGE

| P/N Suffix | Temperature | V _{CC} |
|------------|----------------------------------|------------------|
| PC, DC | T _A = 0°C to +70°C | 4.75 V to 5.25 V |
| DM, FM | T _C = -55°C to +125°C | 4.50 V to 5.50 V |

STANDARD SCREENING

(Conforms to MIL-STD-883 for Class C Parts)

| Step | MIL-STD-883 Method | Conditions | Level | |
|--|--------------------|--|----------|----------|
| | | | PC, DC | DM, FM |
| Pre-Seal Visual Inspection | 2010 | B | 100% | 100% |
| Stabilization Bake | 1008 | C 24-hour 150°C | 100% | 100% |
| Temperature Cycle | 1010 | C -65°C to +150°C 10 cycles | 100% | 100% |
| Centrifuge | 2001 | B 10,000 G | 100% * | 100% |
| Fine Leak | 1014 | A 5 x 10 ⁻⁸ atm-cc/sec | 100% * | 100% |
| Gross Leak | 1014 | C2 Fluorocarbon | 100% * | 100% |
| Electrical Test Subgroups 1 and 7 | 5004 | See below for definitions of subgroups | 100% | 100% |
| Insert Additional Screening here for Class B Parts | | | | |
| Group A Sample Tests | 5005 | See below for definitions of subgroups | LTPD = 5 | LTPD = 5 |
| Subgroup 1 | | | LTPD = 7 | LTPD = 7 |
| Subgroup 2 | | | LTPD = 7 | LTPD = 7 |
| Subgroup 3 | | | LTPD = 7 | LTPD = 7 |
| Subgroup 7 | | | LTPD = 7 | LTPD = 7 |
| Subgroup 8 | | | LTPD = 7 | LTPD = 7 |
| Subgroup 9 | LTPD = 7 | LTPD = 7 | | |

*Not applicable for PC

ADDITIONAL SCREENING FOR CLASS B PARTS

| Step | MIL-STD-883 Method | Military (Suffix DMB, FMB) | | Commercial (Suffix PCB, DCB) | |
|---|--------------------|----------------------------|-------|-------------------------------|-------|
| | | Conditions | Level | Conditions | Level |
| Burn-In | 1015 | D 125°C, 160 hours min. | 100% | C or D 75°C, 48 hours min. | 100% |
| Electrical Test | 5004 | | 100% | | 100% |
| Subgroup 1 | | | 100% | | - |
| Subgroup 2 | | | 100% | | - |
| Subgroup 3 | | | 100% | | - |
| Subgroup 7 | | | 100% | | 100% |
| Subgroup 9 | | 100% | | - | |
| Return to Group A Tests in Standard Screening | | | | | |

GROUP A SUBGROUPS

(as defined in MIL-STD-883, method 5005)

| Subgroup | Parameter | Temperature |
|----------|-----------|---------------------------------------|
| 1 | DC | 25°C |
| 2 | DC | Maximum rated temperature |
| 3 | DC | Minimum rated temperature |
| 7 | Function | 25°C |
| 8 | Function | Maximum and minimum rated temperature |
| 9 | Switching | 25°C |
| 10 | Switching | Maximum Rated Temperature |
| 11 | Switching | Minimum Rated Temperature |

Am2901A

ELECTRICAL CHARACTERISTICS OVER OPERATING RANGE (Unless Otherwise Noted)
(Group A, Subgroups 1, 2, and 3)

| Parameters | Description | Test Conditions (Note 1) | | Min. | Typ. (Note 2) | Max. | Units | | |
|--------------------------------------|--|--|---|---|-------------------------------------|-------------|-------|----|-----|
| V _{OH} | Output HIGH Voltage | V _{CC} = MIN. V _{IN} = V _{IH} or V _{IL} | | I _{OH} = -1.6mA Y ₀ , Y ₁ , Y ₂ , Y ₃ | 2.4 | | Volts | | |
| | | | | I _{OH} = -1.0mA, C _{n+4} | 2.4 | | | | |
| | | | | I _{OH} = -800μA, OVR, P | 2.4 | | | | |
| | | | | I _{OH} = -600μA, F ₃ | 2.4 | | | | |
| | | | | I _{OH} = -600μA RAM _{0, 3} , Q _{0, 3} | 2.4 | | | | |
| | | | | I _{OH} = -1.6mA, G | 2.4 | | | | |
| I _{CEX} | Output Leakage Current for F = 0 Output | V _{CC} = MIN., V _{OH} = 5.5V V _{IN} = V _{IH} or V _{IL} | | | | 250 | μA | | |
| V _{OL} | Output LOW Voltage | V _{CC} = MIN., V _{IN} = V _{IH} or V _{IL} | Y ₀ , Y ₁ , Y ₂ , Y ₃ | I _{OL} = 20mA (COM'L) | | 0.5 | Volts | | |
| | | | G, F = 0 | I _{OL} = 16mA (MIL) | | 0.5 | | | |
| | | | C _{n+4} | I _{OL} = 16mA | | 0.5 | | | |
| | | | OVR, P | I _{OL} = 10mA | | 0.5 | | | |
| | | | F ₃ , RAM _{0, 3} , Q _{0, 3} | I _{OL} = 8.0mA | | 0.5 | | | |
| | | | | I _{OL} = 6.0mA | | 0.5 | | | |
| V _{IH} | Input HIGH Level | Guaranteed input logical HIGH voltage for all inputs (Note 7) | 2.0 | | | | Volts | | |
| V _{IL} | Input LOW Level | Guaranteed input logical LOW voltage for all inputs (Note 7) | | | | 0.8 | Volts | | |
| V _I | Input Clamp Voltage | V _{CC} = MIN., I _{IN} = -18mA | | | | -1.5 | Volts | | |
| I _{IL} | Input LOW Current | V _{CC} = MAX., V _{IN} = 0.5V | | Clock, OE | | -0.36 | mA | | |
| | | | | A ₀ , A ₁ , A ₂ , A ₃ | | -0.36 | | | |
| | | | | B ₀ , B ₁ , B ₂ , B ₃ | | -0.36 | | | |
| | | | | D ₀ , D ₁ , D ₂ , D ₃ | | -0.72 | | | |
| | | | | I ₀ , I ₁ , I ₂ , I ₆ , I ₈ | | -0.36 | | | |
| | | | | I ₃ , I ₄ , I ₅ , I ₇ | | -0.72 | | | |
| | | | | RAM _{0, 3} , Q _{0, 3} (Note 4) | | -0.8 | | | |
| | | | | C _n | | -3.6 | | | |
| | | | | Clock, OE | | 20 | | | |
| | | | | A ₀ , A ₁ , A ₂ , A ₃ | | 20 | | | |
| I _{IH} | Input HIGH Current | V _{CC} = MAX., V _{IN} = 2.7V | | B ₀ , B ₁ , B ₂ , B ₃ | | 20 | μA | | |
| | | | | D ₀ , D ₁ , D ₂ , D ₃ | | 40 | | | |
| | | | | I ₀ , I ₁ , I ₂ , I ₆ , I ₈ | | 20 | | | |
| | | | | I ₃ , I ₄ , I ₅ , I ₇ | | 40 | | | |
| | | | | RAM _{0, 3} , Q _{0, 3} (Note 4) | | 100 | | | |
| | | | | C _n | | 200 | | | |
| | | | | Clock, OE | | 20 | | | |
| | | | | A ₀ , A ₁ , A ₂ , A ₃ | | 20 | | | |
| | | | | B ₀ , B ₁ , B ₂ , B ₃ | | 20 | | | |
| | | | | D ₀ , D ₁ , D ₂ , D ₃ | | 40 | | | |
| I _I | Input HIGH Current | V _{CC} = MAX., V _{IN} = 5.5V | | | | 1.0 | mA | | |
| | | | | | | | | | |
| I _{OZH} I _{OZL} | Off State (High Impedance) Output Current | V _{CC} = MAX. | Y ₀ , Y ₁ , Y ₂ , Y ₃ | V _O = 2.4V V _O = 0.5V | | 50 -50 | μA | | |
| | | | RAM _{0, 3} Q _{0, 3} | V _O = 2.4V (Note 4) V _O = 0.5V (Note 4) | | 100 -800 | | | |
| | | | | | | | | | |
| | | | | | | | | | |
| I _{OS} | Output Short Circuit Current (Note 3) | V _{CC} = MAX., + 0.5V, V _O = 0.5V | Y ₀ , Y ₁ , Y ₂ , Y ₃ , G | | -30 | -85 | mA | | |
| | | | C _{n+4} | | -30 | -85 | | | |
| | | | OVR, P | | -30 | -85 | | | |
| | | | F ₃ | | -30 | -85 | | | |
| | | | RAM _{0, 3} , Q _{0, 3} | | -30 | -85 | | | |
| | | | | | | | | | |
| I _{CC} | Power Supply Current (Note 6) | V _{CC} = MAX. (See Fig. 12) | Am2901APC, DC | T _A = 25°C | | 160 | 250 | mA | |
| | | | | T _A = 0°C to +70°C | | 160 | 265 | | |
| | | | | T _A = +70°C | | 160 | 220 | | |
| | | | | Am2901ADM, FM | T _C = -55°C to +125°C | | 160 | | 280 |
| | | | | | T _C = +125°C | | 160 | | 190 |
| | | | | | | | | | |

- Notes: 1. For conditions shown as MIN. or MAX., use the appropriate value specified under Electrical Characteristics for the applicable device type.
2. Typical limits are at V_{CC} = 5.0V, 25°C ambient and maximum loading.
3. Not more than one output should be shorted at a time. Duration of the short circuit test should not exceed one second.
4. These are three-state outputs internally connected to TTL inputs. Input characteristics are measured with I₆₇₈ in a state such that the three-state output is OFF.
5. "MIL" = Am2901AXM, DM, FM. "COM'L" = Am2901AXC, PC, DC.
6. Worst case I_{CC} is at minimum temperature.
7. These input levels provide zero noise immunity and should only be tested in a static, noise-free environment.

ROOM TEMPERATURE SWITCHING CHARACTERISTICS

(See next page for AC Characteristics over operating range.)

Tables I, II, and III below define the timing characteristics of the Am2901A at 25°C. The tables are divided into three types of parameters; clock characteristics, combinational delays from inputs to outputs, and set-up and hold time requirements. The latter table defines the time prior to the end of the cycle (i.e., clock LOW-to-HIGH transition) that each input must be stable to guarantee that the correct data is written into one of the internal registers.

All values are at 25°C and 5.0V. Measurements are made at 1.5V with $V_{IL} = 0V$ and $V_{IH} = 3.0V$. For three-state disable tests, $C_L = 5.0pF$ and measurement is to 0.5V change on output voltage level. All outputs fully loaded.


TABLE I

CYCLE TIME AND CLOCK CHARACTERISTICS

| TIME | TYPICAL | GUARANTEED |
|---|---------|------------|
| Read-Modify-Write Cycle (time from selection of A, B registers to end of cycle) | 55ns | 93ns |
| Maximum Clock Frequency to Shift Q Register (50% duty cycle) | 40MHz | 20MHz |
| Minimum Clock LOW Time | 30ns | 30ns |
| Minimum Clock HIGH Time | 30ns | 30ns |
| Minimum Clock Period | 75ns | 93ns |

TABLE II

COMBINATIONAL PROPAGATION DELAYS (all in ns, $C_L = 50pF$ (except output disable tests))

| From Input \ To Output | TYPICAL 25°C, 5.0V | | | | | | | | GUARANTEED 25°C, 5.0V | | | | | | | |
|--|--------------------|----------------|------------------|------------------------------|--------------------------------|-----|--------------------------------------|----------------------------------|-----------------------|----------------|------------------|------------------------------|--------------------------------|-----|--------------------------------------|----------------------------------|
| | Y | F ₃ | C _{n+4} | $\overline{G}, \overline{P}$ | F=0 R _L = 270 | OVR | Shift Outputs | | Y | F ₃ | C _{n+4} | $\overline{G}, \overline{P}$ | F=0 R _L = 270 | OVR | Shift Outputs | |
| | | | | | | | RAM ₀ RAM ₃ | Q ₀ Q ₃ | | | | | | | RAM ₀ RAM ₃ | Q ₀ Q ₃ |
| A, B | 45 | 45 | 45 | 40 | 65 | 50 | 60 | — | 75 | 75 | 70 | 59 | 85 | 76 | 90 | — |
| D (arithmetic mode) | 30 | 30 | 30 | 25 | 45 | 30 | 40 | — | 39 | 37 | 41 | 31 | 55 | 45 | 59 | — |
| D (I = X37) (Note 5) | 30 | 30 | — | — | 45 | — | 40 | — | 36 | 34 | — | — | 51 | — | 53 | — |
| C _n | 20 | 20 | 10 | — | 35 | 20 | 30 | — | 27 | 24 | 20 | — | 46 | 26 | 45 | — |
| I ₀₁₂ | 35 | 35 | 35 | 25 | 50 | 40 | 45 | — | 50 | 50 | 46 | 41 | 65 | 57 | 70 | — |
| I ₃₄₅ | 35 | 35 | 35 | 25 | 45 | 35 | 45 | — | 50 | 50 | 50 | 42 | 65 | 59 | 70 | — |
| I ₆₇₈ | 15 | — | — | — | — | — | 20 | 20 | 26 | — | — | — | — | — | 26 | 26 |
| OE Enable/Disable | 20/20 | — | — | — | — | — | — | — | 30/33 | — | — | — | — | — | — | — |
| A bypassing ALU (I = 2xx) | 30 | — | — | — | — | — | — | — | 35 | — | — | — | — | — | — | — |
| Clock  (Note 6) | 40 | 40 | 40 | 30 | 55 | 40 | 55 | 20 | 52 | 52 | 52 | 41 | 70 | 57 | 71 | 30 |

SET-UP AND HOLD TIMES (all in ns) (Note 1)

TABLE III

| From Input | Notes | TYPICAL 25°C, 5.0V | | GUARANTEED 25°C, 5.0V | |
|---|--------------|----------------------|-----------|-----------------------|-----------|
| | | Set-Up Time | Hold Time | Set-Up Time | Hold Time |
| A, B Source | 2, 4 3, 5 | 40 $t_{pwL} + 15$ | 0 | 93 $t_{pwL} + 25$ | 0 |
| B Dest. | 2, 4 | $t_{pwL} + 15$ | 0 | $t_{pwL} + 15$ | 0 |
| D (arithmetic mode) | | 25 | 0 | 70 | 0 |
| D (I = X37) (Note 5) | | 25 | 0 | 60 | 0 |
| C _n | | 15 | 0 | 55 | 0 |
| I ₀₁₂ | | 30 | 0 | 64 | 0 |
| I ₃₄₅ | | 30 | 0 | 70 | 0 |
| I ₆₇₈ | 4 | $t_{pwL} + 15$ | 0 | $t_{pwL} + 25$ | 0 |
| RAM _{0, 3} , Q _{0, 3} | | 15 | 0 | 20 | 0 |

Notes: 1. See next page.

2. If the B address is used as a source operand, allow for the "A, B source" set-up time; if it is used only for the destination address, use the "B dest." set-up time.

3. Where two numbers are shown, both must be met.

4. " t_{pwL} " is the clock LOW time.

5. D_{V0} is the fastest way to load the RAM from the D inputs. This function is obtained with I = 337.

6. Using Q register as source operand in arithmetic mode. Clock is not normally in critical speed path when Q is not a source.

SWITCHING CHARACTERISTICS OVER OPERATING RANGE FOR Am2901A

(See previous page for room temperature characteristics.)

Tables IV, V, and VI below define the timing characteristics of the Am2901A over the operating voltage and temperature range. The tables are divided into three types of parameters; clock characteristics, combinational delays from inputs to outputs, and set-up and hold time requirements. The latter table defines the time prior to the end of the cycle (i.e., clock LOW-to-HIGH transition) that each input must be stable to guarantee that the correct data is written into one of the internal registers.

Measurements are made at 1.5V with $V_{IL} = 0V$ and $V_{IH} = 3.0V$. For three-state disable tests, $C_L = 5.0pF$ and measurement is to 0.5V change on output voltage level. Input rise and fall times are 1ns/V. All outputs fully loaded.


TABLE IV CYCLE TIME AND CLOCK CHARACTERISTICS

| TIME | COMMERCIAL | MILITARY |
|--|------------|----------|
| Read-Modify-Write Cycle (time from selection of A, B registers to end of cycle) | 100ns | 110ns |
| Maximum Clock Frequency to Shift Q Register (50% duty cycle) I = 432 or 632 | 15MHz | 12MHz |
| Minimum Clock LOW Time | 30ns | 30ns |
| Minimum Clock HIGH Time | 30ns | 30ns |
| Minimum Clock Period | 100ns | 110ns |

| |
|---|
| Commercial = Am2901APC, DC, XC $T_A = 0^\circ C$ to $+70^\circ C$ $V_{CC} = 4.75$ to $5.25V$ |
| Military = Am2901ADM, FM, XM $T_C = -55^\circ C$ to $+125^\circ C$ $V_{CC} = 4.50$ to $5.50V$ |

TABLE V

GUARANTEED COMBINATIONAL PROPAGATION DELAYS (all in ns, $C_L = 50pF$ (except output disable tests))

| From Input \ To Output | COMMERCIAL | | | | | | | | MILITARY | | | | | | | |
|--|------------|----------------|------------------|--------------------|--------------------------------|-----|--------------------------------------|----------------------------------|----------|----------------|------------------|--------------------|--------------------------------|-----|--------------------------------------|----------------------------------|
| | Y | F ₃ | C _{n+4} | \bar{G}, \bar{P} | F=0 R _L = 270 | OVR | Shift Outputs | | Y | F ₃ | C _{n+4} | \bar{G}, \bar{P} | F=0 R _L = 270 | OVR | Shift Outputs | |
| | | | | | | | RAM ₀ RAM ₃ | Q ₀ Q ₃ | | | | | | | RAM ₀ RAM ₃ | Q ₀ Q ₃ |
| A, B | 80 | 80 | 75 | 65 | 87 | 85 | 95 | — | 85 | 85 | 80 | 70 | 97 | 90 | 100 | — |
| D (arithmetic mode) | 45 | 45 | 45 | 35 | 57 | 55 | 65 | — | 50 | 50 | 50 | 40 | 62 | 60 | 70 | — |
| D (I = X37) (Note 5) | 40 | 40 | — | — | 52 | — | 60 | — | 45 | 45 | — | — | 57 | — | 65 | — |
| C _n | 30 | 30 | 20 | — | 47 | 30 | 50 | — | 35 | 35 | 25 | — | 52 | 35 | 55 | — |
| I ₀₁₂ | 55 | 55 | 50 | 45 | 67 | 65 | 75 | — | 60 | 60 | 55 | 50 | 72 | 70 | 80 | — |
| I ₃₄₅ | 55 | 55 | 55 | 50 | 67 | 65 | 75 | — | 60 | 60 | 60 | 55 | 72 | 70 | 80 | — |
| I ₆₇₈ | 30 | — | — | — | — | — | 30 | 30 | 35 | — | — | — | — | — | 35 | 35 |
| $\bar{O}E$ Enable/Disable | 35/25 | — | — | — | — | — | — | — | 40/25 | — | — | — | — | — | — | — |
| A bypassing ALU (I = 2xx) | 45 | — | — | — | — | — | — | — | 50 | — | — | — | — | — | — | — |
| Clock  (Note 6) | 60 | 60 | 60 | 50 | 72 | 70 | 80 | 30 | 65 | 65 | 65 | 55 | 82 | 75 | 85 | 35 |

GUARANTEED SET-UP AND HOLD TIMES (all in ns) (Note 1) TABLE VI

| From Input | Notes | COMMERCIAL | | MILITARY | |
|---|--------------|---------------------|-----------|---------------------|-----------|
| | | Set-Up Time | Hold Time | Set-Up Time | Hold Time |
| A, B Source | 2, 4 3, 5 | 100 $t_{pwL}+30$ | 0 | 110 $t_{pwL}+30$ | 0 |
| B Dest. | 2, 4 | $t_{pwL}+15$ | 0 | $t_{pwL}+15$ | 0 |
| D (arithmetic mode) | | 70 | 0 | 75 | 0 |
| D (I = X37) (Note 5) | | 60 | 0 | 65 | 0 |
| C _n | | 55 | 0 | 60 | 0 |
| I ₀₁₂ | | 80 | 0 | 85 | 0 |
| I ₃₄₅ | | 80 | 0 | 85 | 0 |
| I ₆₇₈ | 4 | $t_{pwL}+30$ | 0 | $t_{pwL}+30$ | 0 |
| RAM _{0, 3} , Q _{0, 3} | | 25 | 0 | 25 | 0 |

Notes: 1. See Figure 11. All times relative to clock LOW-to-HIGH transition.

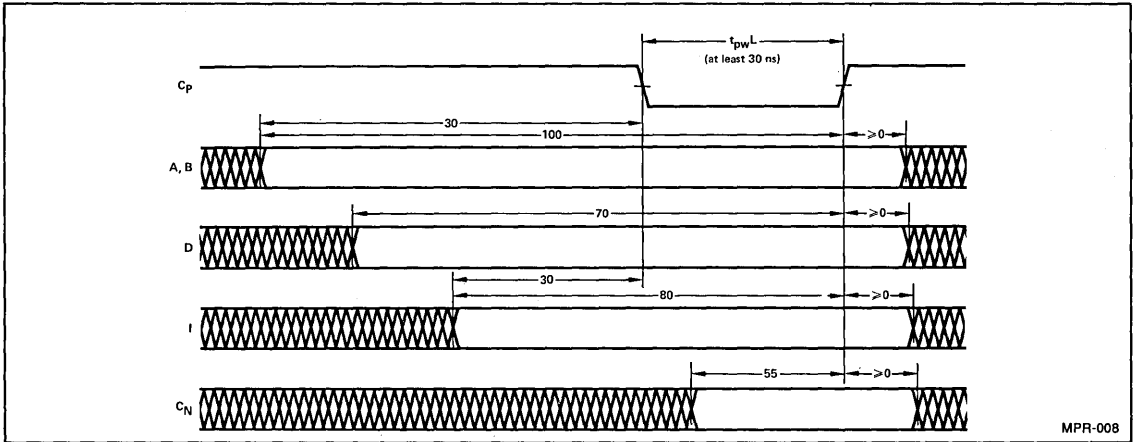
- If the B address is used as a source operand, allow for the "A, B source" set-up time; if it is used only for the destination address, use the "B dest." set-up time.
- Where two numbers are shown, both must be met.
- " t_{pwL} " is the clock LOW time.
- D V 0 is the fastest way to load the RAM from the D inputs. This function is obtained with I = 337.
- Using Q register as source operand in arithmetic mode. Clock is not normally in critical speed path when Q is not a source.

Am2901A

SET-UP AND HOLD TIMES (minimum cycles from each input)

Set-up and hold times are defined relative to the clock LOW-to-HIGH edge. Inputs must be steady at all times from the set-up

time prior to the clock until the hold time after the clock. The set-up times allow sufficient time to perform the correct operation on the correct data so that the correct ALU data can be written into one of the registers.



MPR-008

Figure 11. Minimum Cycle Times from Inputs. Numbers Shown are Minimum Data Stable Times for Am2901ADC, in ns. See Table VI for Detailed Information.

ICC Versus Temperature for Am2901A

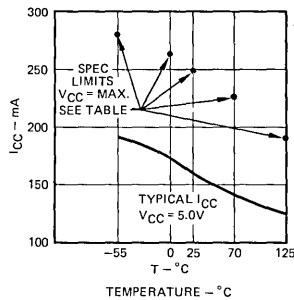
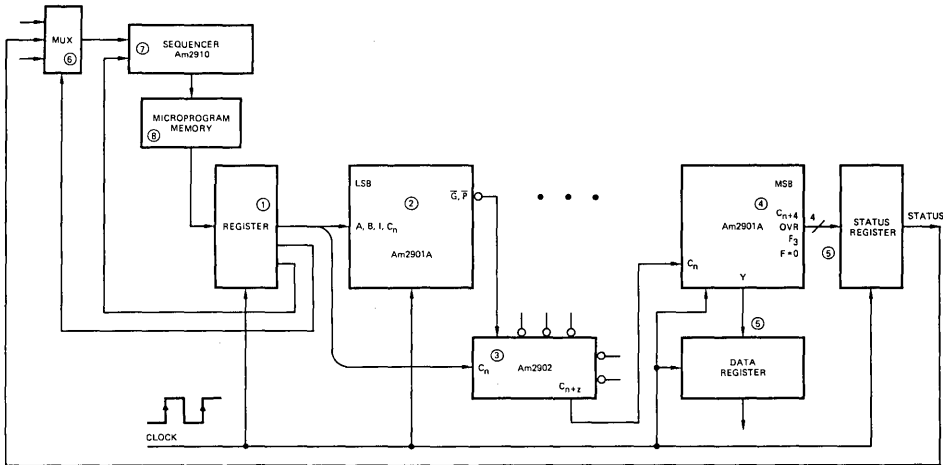


Figure 12.

MPR-009

MINIMUM CYCLE TIME CALCULATIONS FOR 16-BIT SYSTEMS

Speeds used in calculations for parts other than Am2901A are representative for available MSI parts.

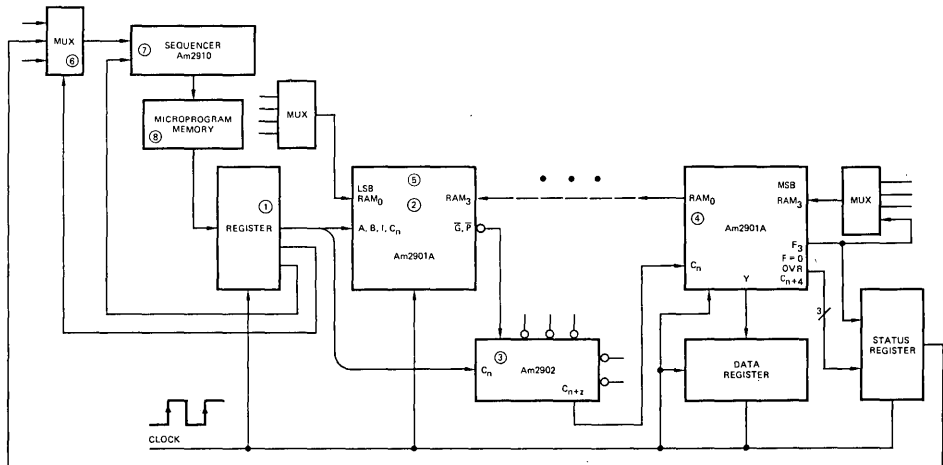


Pipelined System. Add without Simultaneous Shift.

MPR-010

| DATA LOOP | | CONTROL LOOP | | | |
|--------------|---|--------------|--------------|------------------|-------|
| ① Register | Clock to Output | 15 | ① Register | Clock to Output | 15 |
| + ② 2901A | A, B to \bar{G}, \bar{P} | 65 | + ⑥ MUX | Select to Output | 20 |
| + ③ 2902 | \bar{C}_0, \bar{P}_0 to C_{n+2} | 10 | + ⑦ 2910 | CC to Output | 45 |
| + ④ 2901A | C_n to $C_{n+4}, \text{OVR}, F_3, F = 0, Y$ | 50 | + ⑧ PROM | Access Time | 60 |
| + ⑤ Register | Set-up Time | 5 | + ① Register | Set-up Time | 5 |
| | | 145ns | | | 145ns |

Minimum clock period = 145ns



Pipelined System. Simultaneous Add and Shift Down

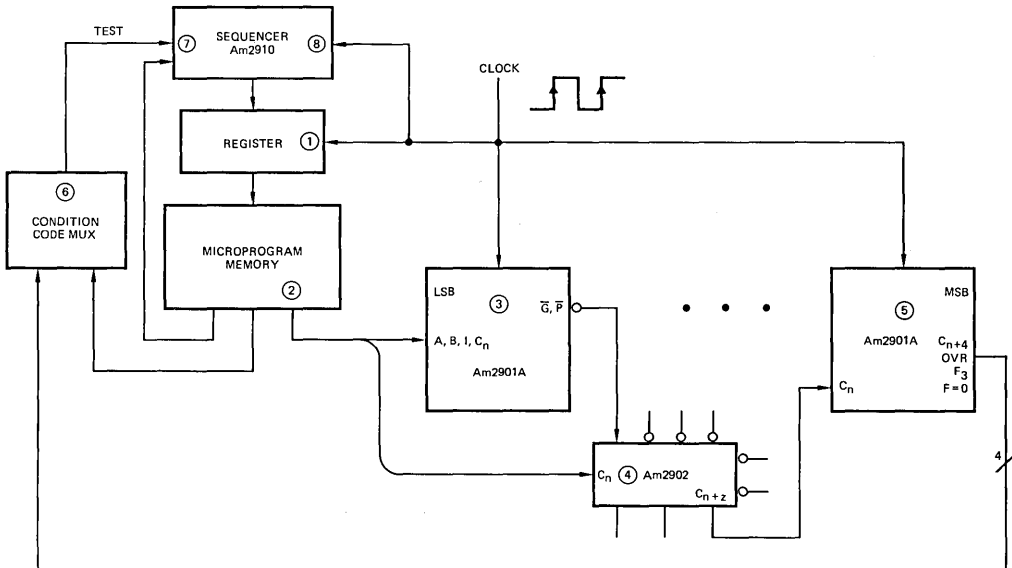
MPR-011

| DATA LOOP | | CONTROL LOOP | | | |
|------------|-------------------------------------|--------------|--------------|------------------|-------|
| ① Register | Clock to Output | 15 | ① Register | Clock to Output | 15 |
| + ② 2901A | A, B to \bar{G}, \bar{P} | 65 | + ⑥ MUX | Select to Output | 20 |
| + ③ 2902 | \bar{C}_0, \bar{P}_0 to C_{n+2} | 10 | + ⑦ 2910 | CC to Output | 45 |
| + ④ 2901A | C_n to RAM_0 | 50 | + ⑧ PROM | Access Time | 60 |
| + ⑤ 2901A | RAM_3 Set-up Time | 25 | + ① Register | Set-up Time | 5 |
| | | 165ns | | | 145ns |

Minimum clock period = 165ns

Note: Care is required to define the worst case path at the ends of the array during an add and shift operation. In a shift down (toward LSB), RAM_0 and Q_0 are available after the A, B \rightarrow RAM, Q delay. In a shift up (toward MSB), Q_3 is available after the A, B \rightarrow RAM, Q delay. RAM_3 , however, is not available until the carry has propagated through the 2902. This is the same as the data loop shown above. If the most significant RAM_3 output were returned through a multiplexer to the RAM_0 or Q_0 input, then this path would be longer than the one shown, but this connection is highly unlikely.

MINIMUM CYCLE TIME CALCULATIONS FOR 16-BIT SYSTEMS (Cont.)



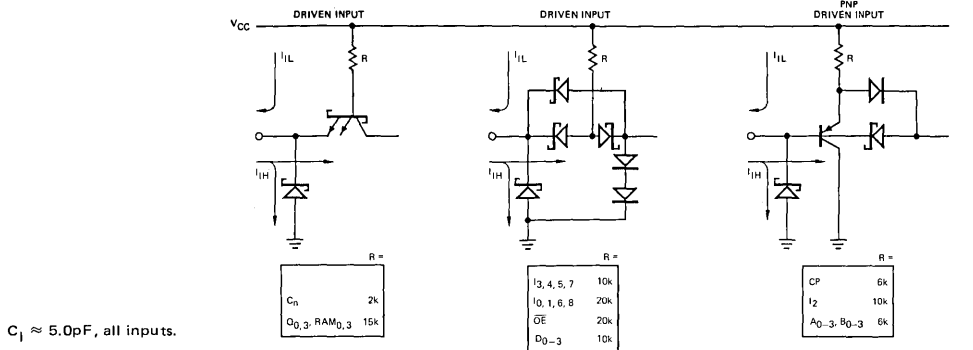
MPR-012

Non-Pipelined Addressed Based Architecture. Instruction Execute and Conditional Branch allowed on Same Cycle (e.g. = subtract and branch if F = 0)

Due to poor speeds, this type of architecture is not recommended.
Compare with previous page.

| | | | |
|------------------------|------------|---|-------------|
| Minimum clock period = | ① Register | Clock to output | 20 |
| + | ② PROM | Access time | 60 |
| + | ③ 2901A | A, B to \overline{G} , \overline{P} | 65 |
| + | ④ 2902 | $\overline{G}_0\overline{P}_0$ to C_{n+z} | 10 |
| + | ⑤ 2901A | C_n to C_{n+4} , OVR, F_3 , $F = 0$ | 50 |
| + | ⑥ MUX | Data in to Data out | 15 |
| + | ⑦ Am2910 | Test to address out | 45 |
| + | ① Register | Set-up time | 5 |
| | | | <hr/> 265ns |

Note: Extra time needed if shift occurs on same cycle.



MPR-013

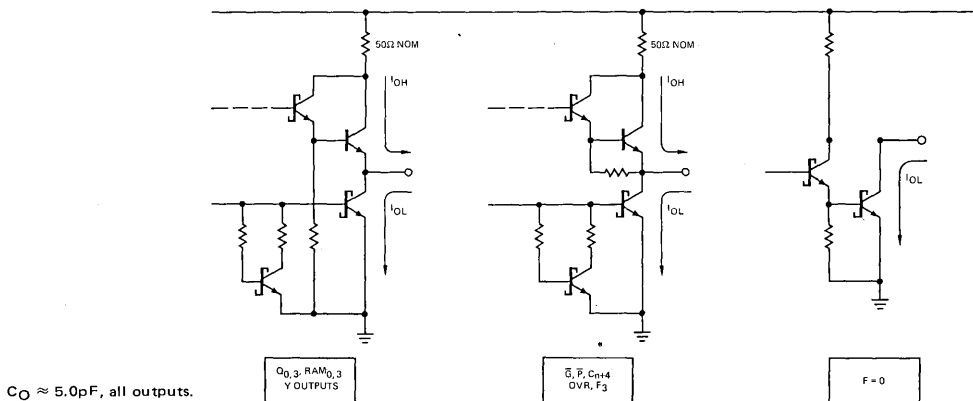


Figure 13. Input/Output Current Interface Conditions.

MPR-014

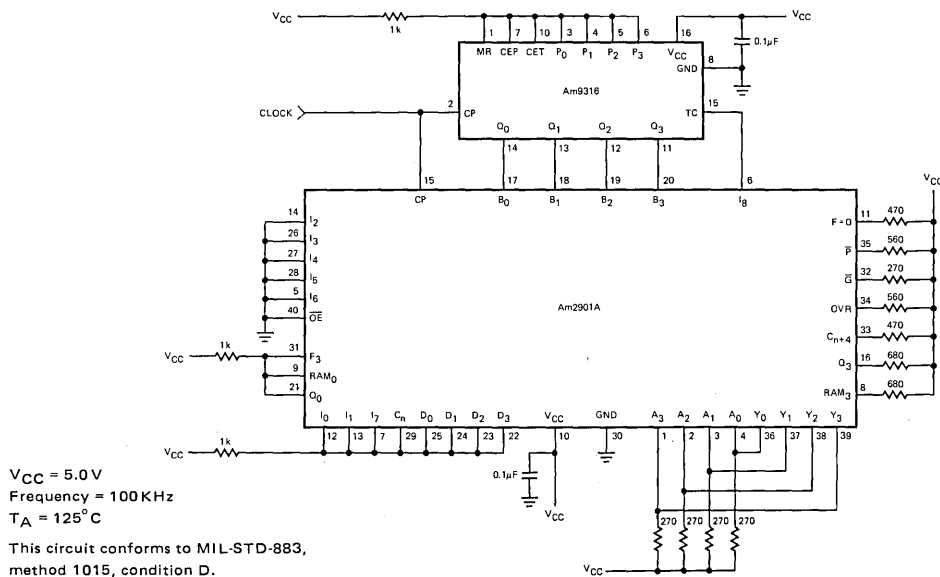


Figure 14. Life Test and Burn-in Circuit for Military Class B Parts. (Contact Factory for Commercial Burn-in Conditions)

MPR-015

USING THE Am2901A

BASIC SYSTEM ARCHITECTURE

The Am2901A is designed to be used in microprogrammed systems. Figure 15 illustrates such an architecture. The nine instruction lines, the A and B addresses, and the D data inputs normally will all come from registers clocked at the same time as the Am2901A. The register inputs come from a ROM or PROM — the "microprogram store". This memory contains sequences of microinstructions, typically 28 to 40 bits wide, which apply the proper control signals to the Am2901A's and other circuits to execute the desired operation.

The address lines of the microprogram store are driven from the Am2910 microprogram sequencer. This device has facilities for storing an address, incrementing an address, jumping to any address, and linking subroutines. The Am2910 is controlled by some of the bits coming from the microprogram store. Essentially these bits are the "next instruction" control.

Note that with the microprogram register in-between the microprogram memory store and the Am2901A's, an instruction accessed on one cycle is executed on the next cycle. As one instruction is executed, the next instruction is being read from microprogram memory. In this configuration, system speed is improved because the execution time in the Am2901A's occurs in parallel with the access time of the microprogram store. Without the "pipeline register", these two functions must occur serially.

EXPANSION OF THE Am2901A

The Am2901A is a four-bit CPU slice. Any number of Am2901A's can be interconnected to form CPU's of 12, 16, 24, 36 or more bits, in four-bit increments. Figure 16 illustrates the interconnection of three Am2901A's to form a 12-bit CPU, using ripple carry. Figure 17 illustrates a 16-bit CPU using carry lookahead, and Figure 18 is the general carry lookahead scheme for long words.

With the exception of the carry interconnection, all expansion schemes are the same. Refer to Figure 16. The Q_3 and RAM_3 pins are bidirectional left/right shift lines at the MSB of the device. For all devices except the most significant, these lines are connected to the Q_0 and RAM_0 pins of the adjacent more

significant device. These connections allow the Q-registers of all Am2901A's to be shifted left or right as a contiguous n-bit register, and also allow the ALU output data to be shifted left or right as a contiguous n-bit word prior to storage in the RAM. At the LSB and MSB of the CPU, the shift pins should be connected to three-state multiplexers which can be controlled by the microcode to select the appropriate input signals to the shift inputs. (See Figure 19)

The open collector $F = 0$ outputs of all the Am2901A's are connected together and to a pull-up resistor. This line will go HIGH if and only if the output of the ALU contains all zeroes. Most systems will use this line as the Z (zero) bit of the processor status word.

The overflow and F_3 pins are generally used only at the most significant end of the array, and are meaningful only when two's complement signed arithmetic is used. The overflow pin is the Exclusive-OR of the carry-in and carry-out of the sign bit (MSB). It will go HIGH when the result of an arithmetic

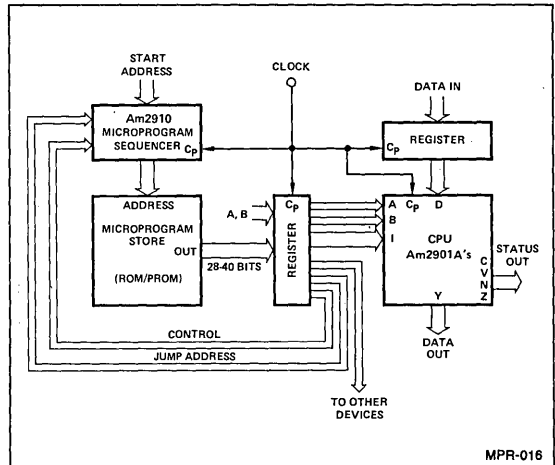


Figure 15. Microprogrammed Architecture Around Am2901A's.

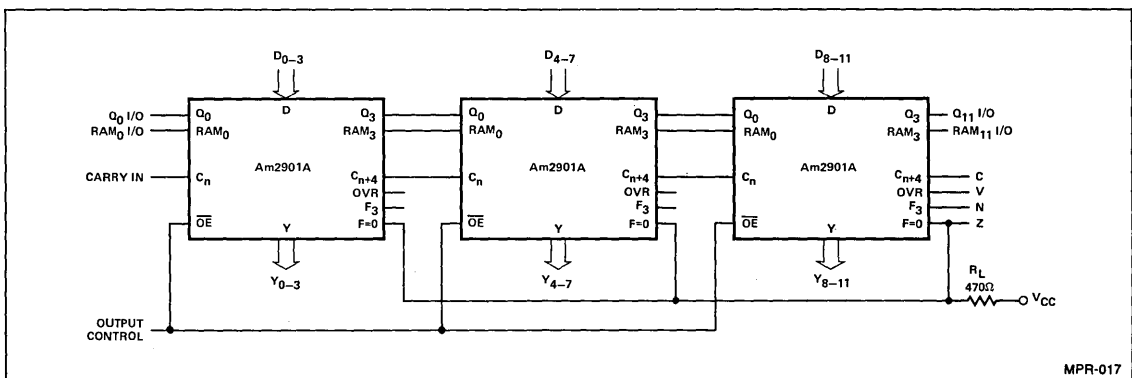


Figure 16. Three Am2901A's used to Construct 12-Bit CPU with Ripple Carry. Corresponding A, B, and I Pins on all Devices are Connected Together.

operation is a number requiring more bits than are available, causing the sign bit to be erroneous. This is the overflow (V) bit of the processor status word. The F₃ pin is the MSB of the ALU output. It is the sign of the result in two's complement notation, and should be used as the Negative (N) bit of the processor status word.

The carry-out from the most significant Am2901A (C_{n+4} pin) is the carry-out from the array, and is used as the carry (C) bit of the processor status word.

Carry interconnections between devices may use either ripple carry or carry lookahead. For ripple carry, the carry-out (C_{n+4}) of each device is connected to the carry-in (C_n) of the next more significant device. Carry lookahead uses the Am2902 lookahead carry generator. The scheme is identical to that used with the 74181/74182. Users unfamiliar with this technique should refer to AMD's application note on Arithmetic Logic Units. Figures 17 and 18 illustrate single and multiple level lookahead.

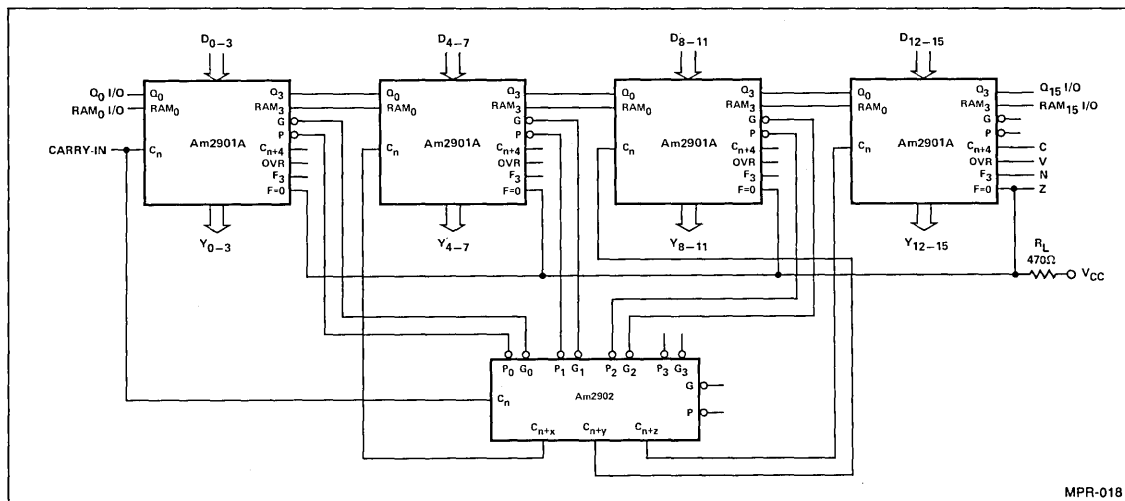


Figure 17. Four Am2901A's in a 16-Bit CPU using the Am2902 for Carry Lookahead.

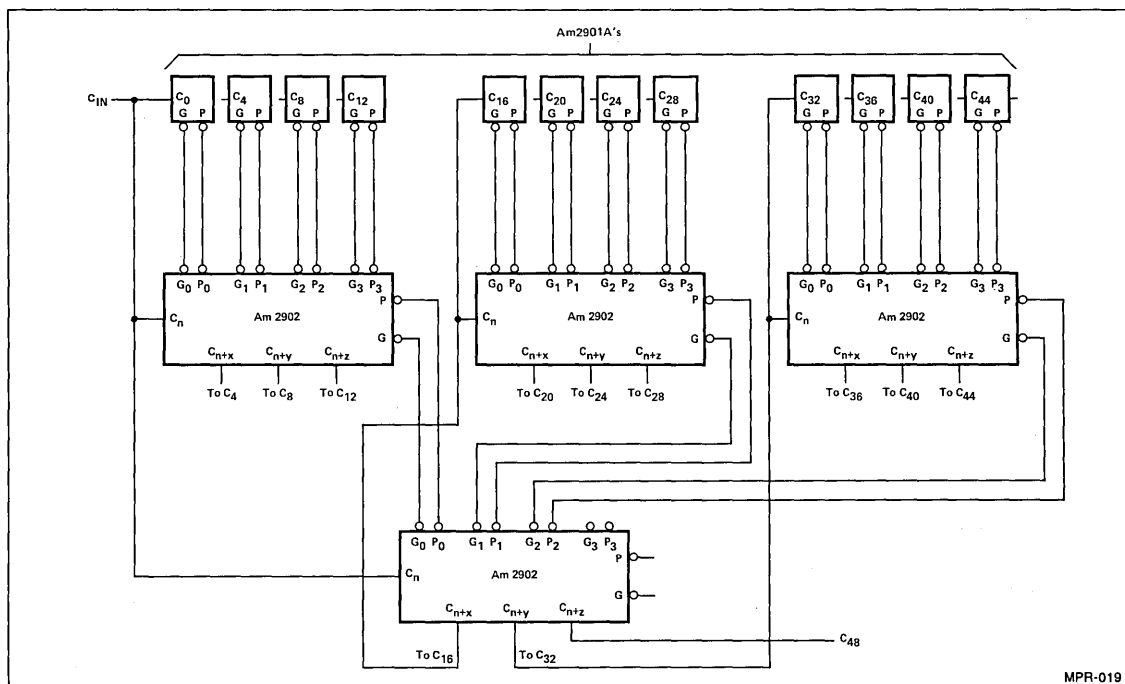


Figure 18. Carry Lookahead Scheme for 48-Bit CPU using 12 Am2901A's. The Carry-Out Flag (C₄₈) Should be Taken from the Lower Am2902 Rather than the Right-Most Am2901A for Higher Speed.

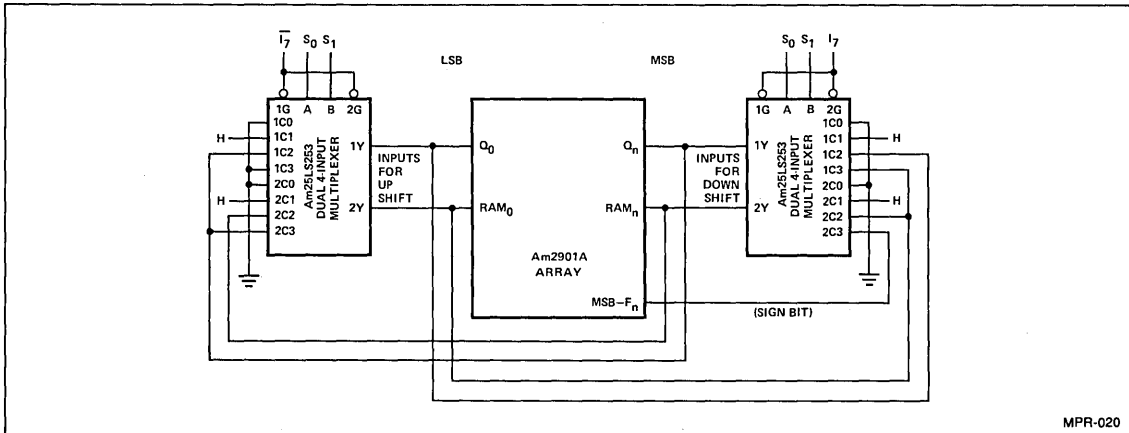


Figure 19. Three-State Multiplexers Used on Shift I/O Lines.

SHIFT I/O LINES AT THE END OF THE ARRAY

The Q-register and RAM left/right shift data transfers occur between devices over bidirectional lines. At the ends of the array, three-state multiplexers are used to select what the new inputs to the registers should be during shifting. The Am2904 includes these multiplexers in a single LSI chip. Figure 19 shows two Am25LS253 dual four-input multiplexers connected to provide four shift modes. Instruction bit I_7 (from the Am2901A) is used to select whether the left-shift multiplexer or the right-shift multiplexer is active. The four shift modes in this example are:

Zero A LOW is shifted into the MSB of the RAM on a down shift. If the Q-register is also shifted, then a LOW is deposited in the Q-register MSB. If the RAM or both registers are shifted up, LOWs are placed in the LSBs.

One Same as zero, but a HIGH level is deposited in the LSB or MSB.

Rotate A single precision rotate. The RAM MSB shifts into the LSB on a right shift and the LSB shifts into the MSB on a left shift. The Q-register, if shifted, will rotate in the same manner.

Arithmetic A double-length Arithmetic Shift if Q is also shifted. On an up shift a zero is loaded into the Q-register LSB and the Q-register MSB is loaded into the RAM LSB. On a down shift, the RAM LSB is loaded into the Q-register MSB and the ALU output MSB (F_n , the sign bit) is loaded into the RAM MSB. (This same bit will also be in the next less significant RAM bit.)

| Code | | | Source of New Data | | | | Shift | Type |
|-------|-------|-------|--------------------|-----------|---------|---------------------------|-------|-------------------------------------|
| I_7 | S_1 | S_0 | Q_0 | Q_n | RAM_0 | RAM_n | | |
| H | L | L | 0 | Q_{n-1} | 0 | F_{n-1} | Up | Zero One Rotate Arithmetic |
| H | L | H | 1 | Q_{n-1} | 1 | F_{n-1} | | |
| H | H | L | Q_n | Q_{n-1} | F_n | F_{n-1} | | |
| H | H | H | 0 | Q_{n-1} | Q_n | F_{n-1} | | |
| L | L | L | Q_1 | 0 | F_1 | 0 | Down | Zero One Rotate Arithmetic |
| L | L | H | Q_1 | 1 | F_1 | 1 | | |
| L | H | L | Q_1 | Q_0 | F_1 | F_0 | | |
| L | H | H | Q_1 | F_0 | F_1 | $RAM_n = RAM_{n-1} = F_n$ | | |

HARDWARE MULTIPLICATION

Figure 20 illustrates the interconnections for a hardware multiplication using the Am2901A. The system shown uses two devices for 8×8 multiplication, but the expansion to more bits is simple — the significant connections are at the LSB and MSB only.

The basic technique used is the "add and shift" algorithm. One clock cycle is required for each bit of the multiplier. On each cycle, the LSB of the multiplier is examined; if it is a "1", then

the multiplicand is added to the partial product to generate a new partial product. The partial product is then shifted one place toward the LSB, and the multiplier is also shifted one place toward the LSB. The old LSB of the multiplier is discarded. The cycle is then repeated on the new LSB of the multiplier available at Q_0 .

The multiplier is in the Am2901A Q-register. The multiplicand is in one of the registers in the register stack, R_a . The product will be developed in another of the registers in the stack, R_b .

The A address inputs are used to address the multiplicand in R_A , and the B address inputs are used to address the partial product in R_B . On each cycle, R_A is conditionally added to R_B , depending on the LSB of Q as read from the Q_0 output, and both Q and the ALU output are shifted down one place. The instruction lines to the Am2901A on every cycle will be:

- $I_{876} = 4$ (shift register stack input and Q register left)
- $I_{543} = 0$ (Add)
- $I_{210} = 1$ or 3 (select A, B or 0, B as ALU sources)

Figure 20 shows the connections for multiplication. The circled numbers refer to the paragraphs below.

1. The adjacent pins of the Q-register and RAM shifters are connected together so that the Q-registers of both (or all) Am2901A's shift left or right as a unit. Similarly, the entire eight-bit (or more) ALU output can be shifted as a unit prior to storage in the register stack.

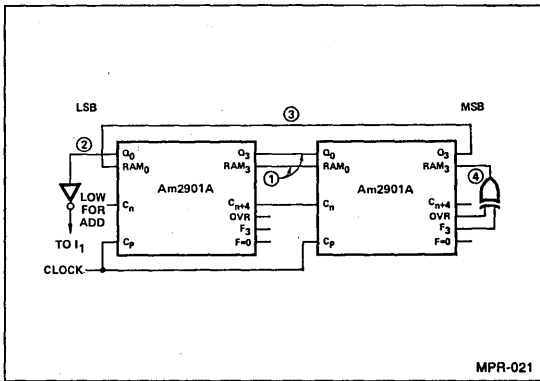


Figure 20. Interconnection for Dedicated Multiplication (8 by 8 Bit) (Corresponding A, B and I Connected Together).

2. The shift output at the LSB of the Q-register determines whether the ALU source operands will be A and B (add multiplicand to partial product) or 0 and B (add nothing to partial product). Instruction bit I_1 can select between A, B or 0, B as the source operands; it can be driven directly from the complement of the LSB of the multiplier.
3. As the new partial product appears at the input to the register stack, it is shifted left by the RAM shifter. The new LSB of the partial product, which is complete and will not be affected by future operations, is available on the RAM_0 pin. This signal is returned to the MSB of the Q-register. On each cycle then, the just-completed LSB of the product is deposited in the MSB of the Q-register; the Q-register fills with the least significant half of the product.
4. As the ALU output is shifted down on each cycle, the sign bit of the new partial product should be inserted in the RAM MSB shift input. The F_3 flag will be the correct sign of the partial product unless overflow has occurred. If overflow occurs during an addition or subtraction, the OVR flag will go HIGH and F_3 is not the sign of the result. The sign of the result must then be the complement of F_3 . The correct sign bit to shift into the MSB of the partial product is therefore $F_3 \oplus OVR$; that is, F_3 if overflow has not occurred and \bar{F}_3 if overflow has occurred. On the last cycle, when the MSB of the multiplier is examined, a conditional subtraction rather than addition should be performed, because the sign bit of the multiplier carries negative rather than positive arithmetic weight.

$$Y = -Y_i 2^i + Y_{i-1} 2^{i-1} + \dots + Y_0 2^0$$

This scheme will produce a correct two's complement product for all multiplicands and multipliers in two's complement notation.

Figure 21 is a table showing the input states of the Am2901A for each step of a signed, two's complement multiplication. The Am2904 LSI chip conveniently implements the required shift linkages and the EX-OR function for this algorithm.

| Initial Register States | | Am2901A Microcode | | | | | | | | | | | | Final Register States | |
|-------------------------|--------------|------------------------------------|--------|--------------------|---|-----------|-----------|--|-------|-------|---------|---------|------------------|-----------------------|--------------|
| R | | Program <u>2's Comp. Multiply</u> | | | | | | | | | | | | R | |
| 0 | Multiplier | Date <u>8/5/75</u> By <u>J. S.</u> | | | | | | | | | | | | 0 | Multiplier |
| 1 | Multiplicand | | | | | | | | | | | | | 1 | Multiplicand |
| 2 | X | | | | | | | | | | | | | 2 | LSH Product |
| 3 | X | | | | | | | | | | | | | 3 | MSH Product |
| S, F → | D | Description | Repeat | Pin States (Octal) | | | | | | | | | | Jump | |
| | | | | A | B | I_{876} | I_{543} | I_{210} | C_n | Q_0 | Q_3 | RAM_0 | RAM_3 | To | If |
| $O \vee A$ | Q | Move Multiplier to Q | — | 0 | X | 0 | 3 | 4 | X | X | X | X | X | | |
| $O \wedge B$ | B | Clear R_3 | — | X | 3 | 2 | 4 | 3 | X | X | X | X | X | | |
| $(O+B)/2$ $(A+B)/2$ | B | Cond. Add & Shift | $n-1$ | 1 | 3 | 4 | 0 | $\frac{1 \text{ or } 3}{I_1 = Q_0 LO}$ | 0 | — | RAM_0 | — | $F_3 \oplus OVR$ | | |
| $(B-O)/2$ $(B-A)/2$ | B | Cond. Subt. & Shift | — | 1 | 3 | 4 | 1 | $\frac{1 \text{ or } 3}{I_1 = Q_0 LO}$ | 1 | — | RAM_0 | — | $F_3 \oplus OVR$ | | |
| $O \vee Q$ | B | Move LSH Prod. to R_2 | — | X | 2 | 2 | 3 | 2 | X | X | X | X | X | | |

X = Don't Care S = Source F = Function D = Destination

Figure 21.

Hardware Division

Division, unlike multiplication, is much more difficult to realize. One of these difficulties can be easily understood by visualizing a $2n$ -bit Dividend (X) and an n -bit Divisor (Y). The Quotient (Q) can range from 1 bit (when $X \leq Y$) to $2n$ bits (when $Y = 1$), discarding the attempt to divide by 0. In most of the divide functions, the Remainder (R) is as important to find as is the Quotient – there is no equivalent to it in multiplication. Division becomes even more complicated when negative numbers are represented in the 2's complement notation. In the "everyday" decimal system, using Sign-and-Magnitude notation, dealing with negative numbers is relatively easy: The sign of the quotient is determined first and then a normal division is performed. Note that in this "normal" division we first "guess" the first digit of the quotient by comparing the most significant part of the dividend to the divisor. Then verify our guess by a multiplication (no "direct" division method is known), and continue to do so for all of the other digits, shifting the divisor to the right one place at a time.

The most straightforward division scheme (for unsigned numbers) is Subsequent Subtraction. The algorithm is as follows: Subtract divisor from dividend and increment a counter (initially reset to zero). Continue to do so as long as the Remainder is positive. When the Remainder becomes negative, cancel the last step; i.e., add back divisor and decrement counter. The counter will contain the Quotient and the Remainder will be correct. The main drawback of this scheme is, of course, the great number of arithmetic operations needed. Again, when dealing with signed numbers, the subtraction should be substituted by addition and vice versa.

A more rapid division can be realized by calculating the Quotient digits instead of counting them. In this algorithm, the divisor is first subtracted from the most significant part of the dividend. If the remainder is positive, the quotient digit is "1", otherwise the subtraction is cancelled (by adding the

divisor to the remainder) and the quotient digit will be "0". Now shift the remainder one place to the right (much like you do in a "paper and pencil" division) and repeat until all the quotient digits have been calculated. This algorithm is called "Restoring Division". When signed numbers are involved, inversion of the operations and the quotient digits will be necessary and correction should be performed in some cases. Some time is wasted in the Restoring Division because for every "0" digit in the quotient, two arithmetic operations are needed. This can be saved in the "Non-Restoring Division".

The basis of Non-Restoring Division is the same as in Restoring Division. Consider first unsigned (positive) numbers only. At the beginning, the divisor is subtracted from the most significant part of the dividend. If the result (first remainder) is positive (or zero), the first quotient digit is "1". Otherwise, the quotient digit is "0", but do not restore! Shift divisor one place to the right (or remainder to the left) and add if last quotient digit was "0"; otherwise subtract. Determine quotient digit as before and continue until all quotient digits have been computed. The remainder will be correct if it is non-negative, otherwise correction is needed by a restoring operation (on the remainder only). Extreme care should be taken of the number of bits and the value of the divisor. Assuming the divisor has n bits and the dividend as $2n$ bits, the above process develops $n+1$ bits of the quotient. This will not be sufficient if the MSB of the divisor is "0" (which means that the divisor is a small number and more digits are needed in the quotient). Although this condition can be easily detected as overflow will occur in the first subtraction, it can be avoided by aligning the first "1" of the divisor to the MSB of the dividend (by shifting the divisor left until all leading zeros are discarded) before performing the first subtraction. Ample space should be provided for the additional bits of the quotient. Note that leading zeros in the dividend do not disturb the normal operation. The flow chart for unsigned non-restoring division is shown in Figure 22.

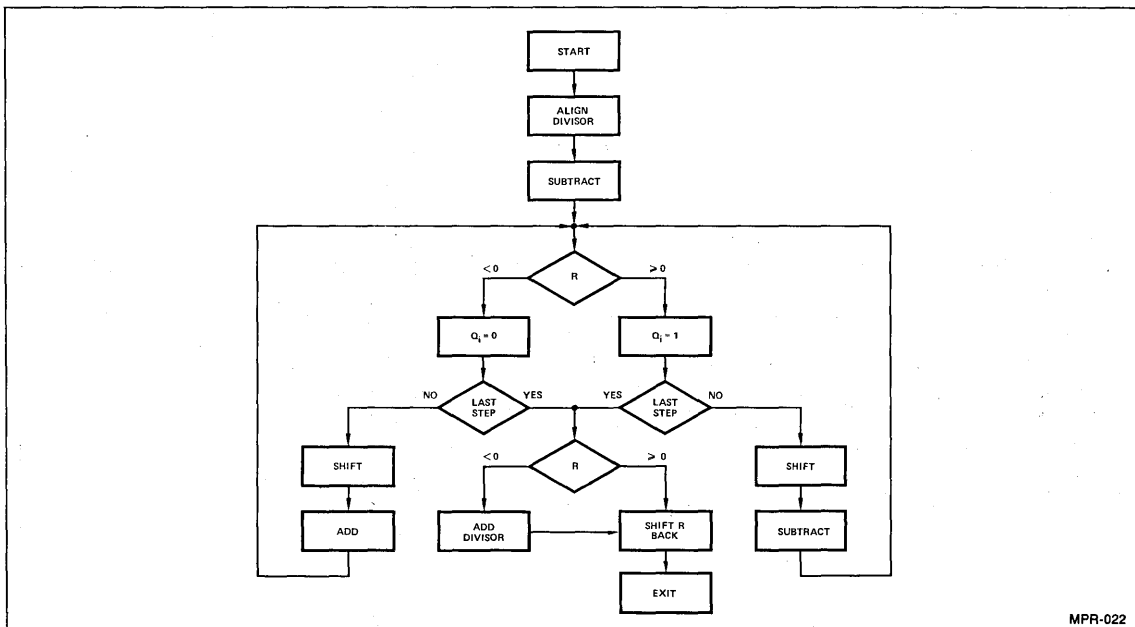


Figure 22. Flowchart for Non-Restoring Division (Unsigned Numbers).

The unsigned division scheme can be applied to signed positive numbers without any change. When negative numbers are encountered, however, changes in the algorithm are necessary. The straightforward method of signed division seems to be "Division in the first quadrant." In that scheme, negative numbers are 2's complemented to obtain positive numbers, remembering the changes done. The division is performed on positive numbers, and finally again 2's complementing occurs wherever necessary. Figure 23 is the flowchart for this algorithm.

Figure 24 is the Interconnection Diagram for both the alignment procedure and the Division Algorithm. It is assumed that the Dividend is in Register R_X (it will be lost during the division and replaced by the Remainder), the Divisor is in Register R_Y . The Quotient will be in the Q register, which should be cleared beforehand.

After checking the signs of the Dividend and Divisor, setting the flags and negating (using 23 or 24 octal as I_5 through I_0 ALU control bits) when necessary, the Divisor should be aligned. This can be done by ORing R_X with 0 ($I_{5-0} = 33$ octal). The most significant bit is deposited in the Status Register, and can be shifted out by setting $I_8 = I_6 = \text{HIGH}$ and I_7 to the Exclusive NOR of the previous and present MSB of the Divisor. If these are both "0", I_7 will be HIGH, and an up shift will occur, filling in trailing zeros. When the checked bits are different, I_7 will go LOW, causing a down shift. At the same time the Y output of the Status Register is enabled the leftmost "0" (the sign bit) will be restored.

The first step in the Division routine is a subtract, then shift the R_X and Q registers up. I_{876} will be 6 in octal while $I_{210} = 1$ in octal and $I_5 = I_4 = \text{LOW}$. Pulling the CL bit in the microcode to HIGH, both I_3 and C_n will be HIGH and the ALU is performing a 2's complement subtract. The sign of the Remainder will be latched in the Status Register and the complement of it will be stored in the LSB of the Q register during the shift up operation, which also discards the sign bit of the Remainder.

Now repeating the same operation for all of the other bits of the Remainder with the CL bit in the microcode LOW will leave the control of I_3 to the (complemented) previous sign bit. If it was "0" ($R \geq 0$), I_3 and C_n will be HIGH and the ALU will subtract; if it was 1 ($R < 0$), I_3 and C_n will be LOW and the ALU will ADD, as required. In each up shift, the complement of the sign of the present sign bit will be placed at the right of the Quotient, again, as required.

At the end of the division, the sign of the Remainder should be examined and if it is HIGH, the Divisor should be added to it. This can be easily implemented (not depicted on Figure 24) by performing an unconditional ADD (with C_n LOW), letting I_2 LOW, I_0 HIGH and controlling I_1 by the complement of the sign of the Remainder, thus adding to R_X either R_Y (if $R_S = 1$) or zero (if $R_S = 0$). If an alignment was performed, the remainder should be shifted down the same number of places.

Finally, the Quotient and/or the Remainder should be 2's complemented again according to the flags.

Figure 25 is a table showing the input states of the Am2901A's for each phase of the Alignment and Division.

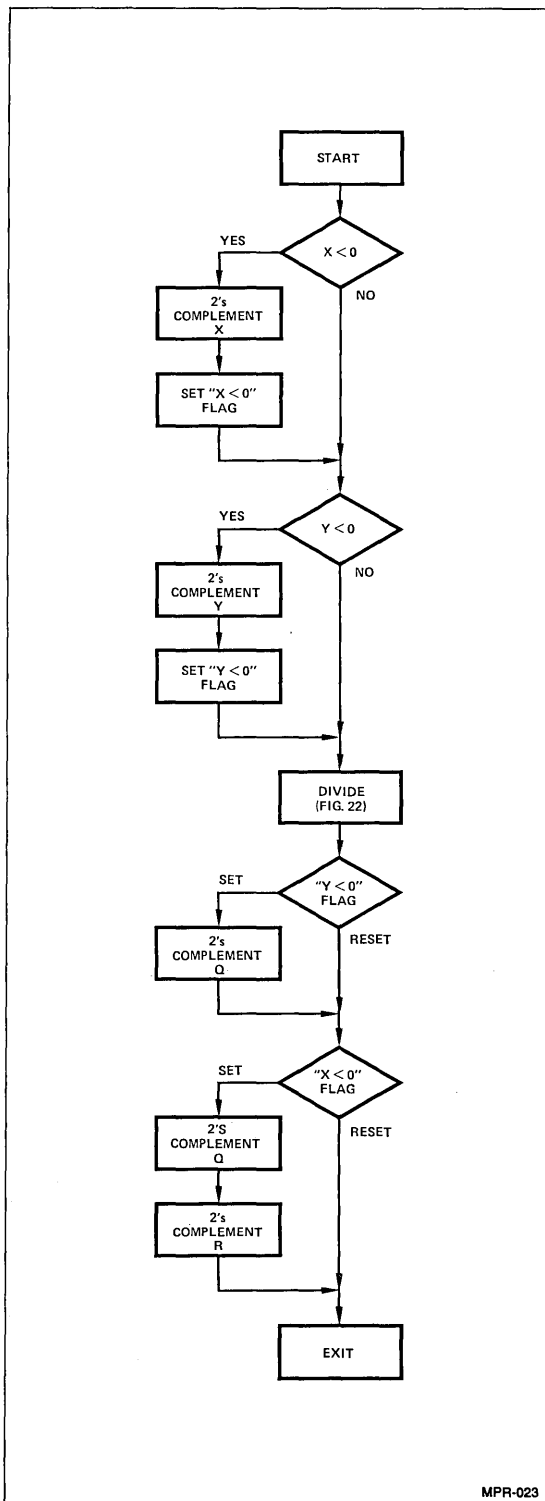


Figure 23. Flowchart for First Quadrant Division with Signed Numbers.

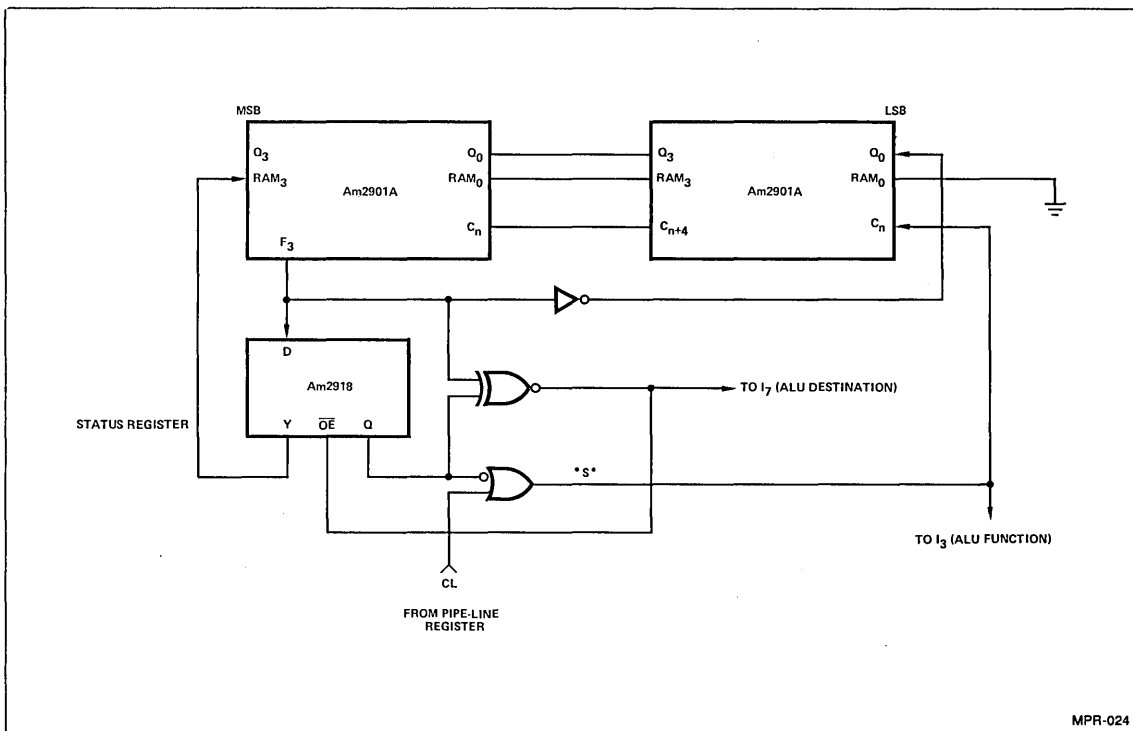


Figure 24. Interconnections for Dedicated Division.

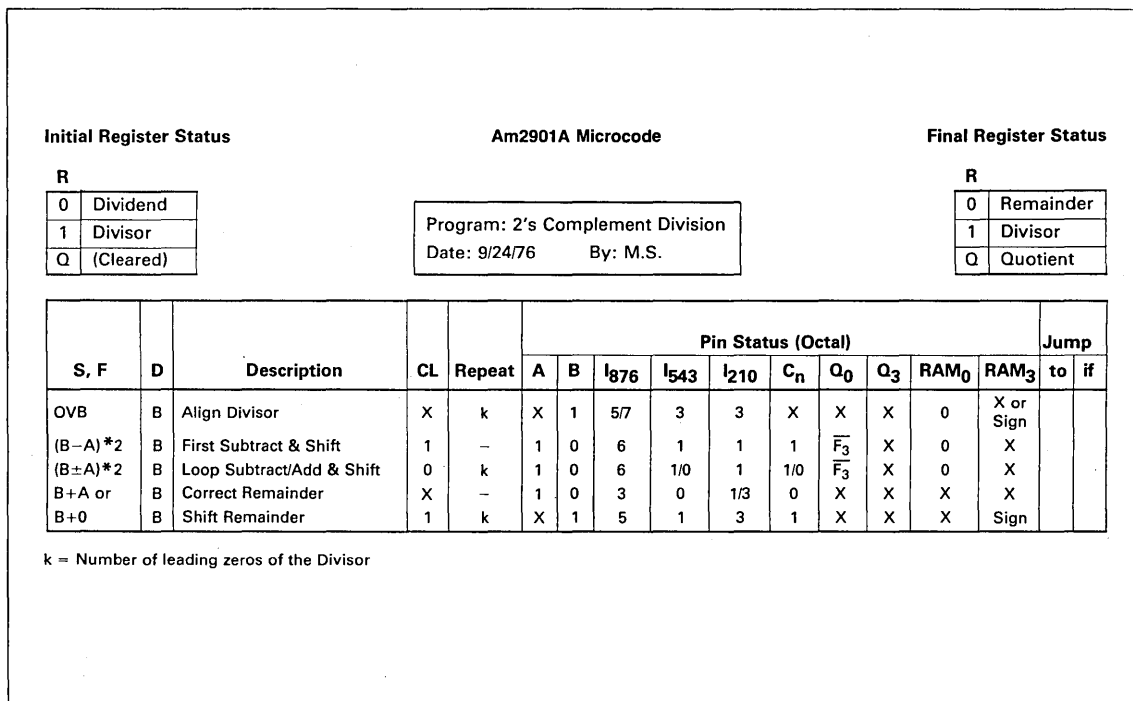


Figure 25. Am2901 Microcode for Dedicated Division.

EXAMPLES OF SOME OTHER OPERATIONS

1. Byte Swapping

Occasionally the two halves of a 16-bit word must be swapped. D_{0-7} is interchanged with D_{8-15} . The quickest way to perform this operation is to rotate the word in RAM, shifting two bits at a time. Only four shift cycles are required. The same register is selected on both the A and B ports; the two are added together with carry-in connected to carry-out, producing a right shift of one place; then the ALU is shifted right one more place prior to storage.

Byte Swap of R_0

$A = B = 0$ $I = 701$ $RAM_0 = RAM_{15}$ $C_{IN} = C_{OUT}$

Repeat 4 times.

2. Instruction Fetch Cycle

Execution of a macroinstruction generally begins with an instruction fetch cycle. The current contents of the PC (in one of the registers) is the address of the macroinstruction to be fetched, and must be read out to the memory address register. Then the PC is incremented to point to the next macroinstruction. The macroinstruction obtained from memory is then loaded into the microprogram sequencer to cause a jump to the microcode for executing the instruction.

The PC can be read out and incremented in one cycle by using the Am2901A destination code 2, and addressing the PC with both the A and B addresses. The current value of PC will appear on the Y outputs, and PC+1 will be returned to the register. If the PC is in register 15, then:

$A = B = 15$, $I = 203$, Carry-in = 1

The PC will be on the Y outputs via the RAM A-port. On the clock LOW-to-HIGH transition, the program counter is incremented and the value on the Y outputs is loaded into the memory address register. During the following cycle, the memory is read and, on the next clock LOW-to-HIGH transition the instruction from the memory is dropped into the instruction register. The fetch operation requires only two microcycles.

ADDITIONAL READING

For more detailed information on applications of the Am2901A, the following application notes are available from AMD.

| Title | Publication Number |
|------------------------------------|-----------------------|
| A 16-Bit Microprogrammed Computer | AM-PUB 030 |
| An Emulation of the Am9080A | AM-PUB 064 |
| A High Performance Disc Controller | AM-PUB 065 |

Am2902A

High-Speed Look-Ahead Carry Generator

DISTINCTIVE CHARACTERISTICS

- Provides look-ahead carries across a group of four Am2901A microprocessor ALU's
- Capability of multi-level look-ahead for high-speed arithmetic operation over large word lengths
- Typical carry propagation delay of 4.5 ns
- 100% reliability assurance testing in compliance with MIL-STD-883

FUNCTIONAL DESCRIPTION

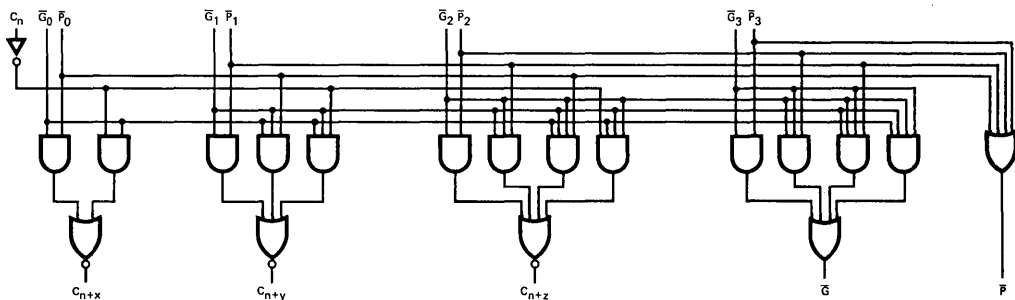
The Am2902A is a high-speed, look-ahead carry generator which accepts up to four pairs of carry propagate and carry generate signals and a carry input and provides anticipated carries across four groups of binary ALU's. The device also has carry propagate and carry generate outputs which may be used for further levels of look-ahead.

The Am2902A is generally used with the Am2901A bipolar microprocessor unit to provide look-ahead over word lengths of more than four bits. The look-ahead carry generator can be used with binary ALU's in an active LOW or active HIGH input operand mode by reinterpreting the carry functions. The connections to and from the ALU to the look-ahead carry generator are identical in both cases.

The logic equations provided at the outputs are:

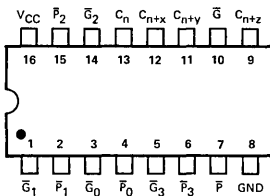
$$\begin{aligned}
 C_{n+x} &= G_0 + P_0 C_n \\
 C_{n+y} &= G_1 + P_1 G_0 + P_1 P_0 C_n \\
 C_{n+z} &= G_2 + P_2 G_1 + P_2 P_1 G_0 + P_2 P_1 P_0 C_n \\
 G &= G_3 + P_3 G_2 + P_3 P_2 G_1 + P_3 P_2 P_1 G_0 \\
 P &= P_3 P_2 P_1 P_0
 \end{aligned}$$

LOGIC DIAGRAM



MPR-026

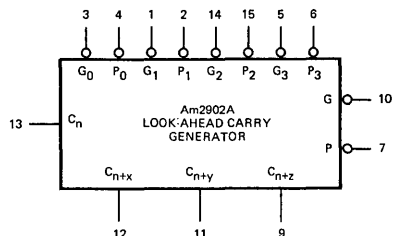
CONNECTION DIAGRAM Top View



Note: Pin 1 is marked for orientation.

MPR-027

LOGIC SYMBOL



VCC = Pin 16
GND = Pin 8

MPR-025

MAXIMUM RATINGS (Above which the useful life may be impaired)

| | |
|---|--------------------------------|
| Storage Temperature | -65°C to +150°C |
| Temperature (Ambient) Under Bias | -55°C to +125°C |
| Supply Voltage to Ground Potential | -0.5V to +7.0V |
| DC Voltage Applied to Outputs for HIGH Output State | -0.5V to +V _{CC} max. |
| DC Input Voltage | -0.5V to +5.5V |
| DC Output Current, Into Outputs | 30 mA |
| DC Input Current | -30 mA to +5.0 mA |

ELECTRICAL CHARACTERISTICS OVER OPERATING TEMPERATURE RANGE (Unless Otherwise Noted)Am2902AXC T_A = 0°C to +70°C V_{CC} = 5.0V ±5% (COM'L) MIN. = 4.75V MAX. = 5.25VAm2902AXM T_A = -55°C to +125°C V_{CC} = 5.0V ±10% (MIL) MIN. = 4.50V MAX. = 5.50V

| Parameters | Description | Test Conditions (Note 1) | Min. | Typ. (Note 2) | Max. | Units | |
|-----------------|----------------------------------|--|-----------------------------------|------------------|------|-------|-------|
| V _{OH} | Output HIGH Voltage | V _{CC} = MIN., I _{OH} = -1mA V _{IN} = V _{IH} or V _{IL} | MIL | 2.5 | 3.4 | | Volts |
| | | | COM | 2.7 | 3.4 | | |
| V _{OL} | Output LOW Voltage | V _{CC} = MIN., I _{OL} = 20mA V _{IN} = V _{IH} or V _{IL} | | | 0.5 | Volts | |
| V _{IH} | Input HIGH Level | Guaranteed input logical HIGH voltage for all inputs | 2.0 | | | Volts | |
| V _{IL} | Input LOW Level | Guaranteed input logical LOW voltage for all inputs | | | 0.8 | Volts | |
| V _I | Input Clamp Voltage | V _{CC} = MIN., I _{IN} = -18mA | | | -1.2 | Volts | |
| I _{IL} | Input LOW Current | V _{CC} = MAX., V _{IN} = 0.5V | C _n | | | -2 | mA |
| | | | \bar{P}_3 | | | -4 | |
| | | | \bar{P}_2 | | | -6 | |
| | | | $\bar{P}_0, \bar{P}_1, \bar{G}_3$ | | | -8 | |
| | | | \bar{G}_0, \bar{G}_2 | | | -14 | |
| | | | \bar{G}_1 | | | -16 | |
| I _{IH} | Input HIGH Current | V _{CC} = MAX., V _{IN} = 2.7V | C _n | | | 50 | μA |
| | | | \bar{P}_3 | | | 100 | |
| | | | \bar{P}_2 | | | 150 | |
| | | | $\bar{P}_0, \bar{P}_1, \bar{G}_3$ | | | 200 | |
| | | | \bar{G}_0, \bar{G}_2 | | | 350 | |
| | | | \bar{G}_1 | | | 400 | |
| I _I | Input HIGH Current | V _{CC} = MAX., V _{IN} = 5.5V | | | 1.0 | mA | |
| I _{SC} | Output Short Circuit (Note 3) | V _{CC} = MAX., V _{OUT} = 0.0V | -40 | | -100 | mA | |
| I _{CC} | Power Supply Current | V _{CC} = MAX. All Outputs LOW | MIL | | 69 | 99 | mA |
| | | | COM'L | | 69 | 109 | |
| | | V _{CC} = MAX. All Outputs HIGH | MIL | | 35 | | mA |
| | | | COM'L | | 35 | | |

- Notes: 1. For conditions shown as MIN. or MAX., use the appropriate value specified under Electrical Characteristics for the applicable device type.
2. Typical limits are at V_{CC} = 5.0V, 25°C ambient and maximum loading.
3. Not more than one output should be shorted at a time. Duration of the short circuit test should not exceed one second.

SWITCHING CHARACTERISTICS(T_A = +25°C, V_{CC} = 5.0V)

| Parameters | Description | Min. | Typ. | Max. | Units | Test Conditions |
|------------------|---|------|------|------|-------|--|
| t _{PLH} | $\bar{G}_i/\bar{P}_i \rightarrow C_{n+j}$ | | 4.5 | 7 | ns | C _L = 15pF R _L = 280Ω |
| t _{PHL} | | | 4.5 | 7 | | |
| t _{PLH} | $\bar{G}_i/\bar{P}_i \rightarrow \bar{G}$ | | 5 | 7.5 | ns | |
| t _{PHL} | | | 7 | 10.5 | | |
| t _{PLH} | $\bar{P}_i \rightarrow \bar{P}$ | | 4.5 | 6.5 | ns | |
| t _{PHL} | | | 6.5 | 10 | | |
| t _{PLH} | C _n → C _{n+j} | | 6.5 | 10 | ns | |
| t _{PHL} | | | 7 | 10.5 | | |

DEFINITION OF FUNCTIONAL TERMS

C_n Carry-in. The carry-in input to the look-ahead generator. Also the carry-in input to the nth Am2901A microprocessor ALU input.

C_{n+j} Carry-out. (j = x, y, z). The carry-out output to be used at the carry-in inputs of the n+1, n+2 and n+3 microprocessor ALU slices.

G_i, P_i Generate and propagate inputs respectively (i = 0, 1, 2, 3). The carry generate and carry propagate inputs from the n+1, n+2 and n+3 microprocessor ALU slices.

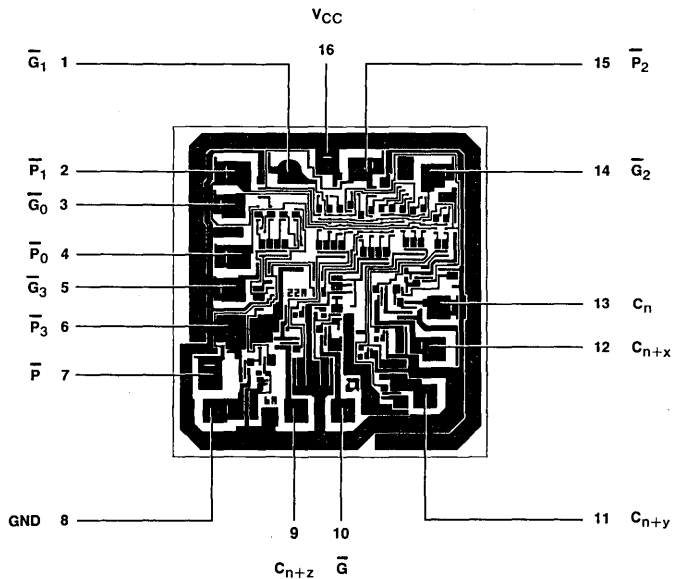
G, P Generate and propagate outputs respectively. The carry generate and carry propagate outputs that can be used with the next higher level of carry look-ahead if used.

TRUTH TABLE

| Inputs | | | | | | | | | | Outputs | | | | |
|----------------|----------------|----------------|----------------|----------------|----------------|----------------|----------------|----------------|--|------------------|------------------|------------------|---|---|
| C _n | G ₀ | P ₀ | G ₁ | P ₁ | G ₂ | P ₂ | G ₃ | P ₃ | | C _{n+x} | C _{n+y} | C _{n+z} | G | P |
| X | H | H | | | | | | | | | | | | |
| L | H | X | | | | | | | | | | | | |
| X | L | X | | | | | | | | | | | | |
| H | X | L | | | | | | | | | | | | |
| X | X | X | H | H | | | | | | | | | | |
| X | H | H | H | X | | | | | | | | | | |
| L | H | X | H | X | | | | | | | | | | |
| X | X | X | L | X | | | | | | | | | | |
| X | L | X | X | L | | | | | | | | | | |
| H | X | L | X | L | | | | | | | | | | |
| X | X | X | X | X | H | H | | | | | | | | |
| X | X | X | H | H | H | X | | | | | | | | |
| X | H | H | H | X | H | X | | | | | | | | |
| L | H | X | H | X | H | X | | | | | | | | |
| X | X | X | X | X | L | X | | | | | | | | |
| X | X | X | L | X | X | L | | | | | | | | |
| X | L | X | X | L | X | L | | | | | | | | |
| H | X | L | X | L | X | L | | | | | | | | |
| X | | X | X | X | X | H | H | | | | | | | H |
| X | | X | H | H | H | X | X | | | | | | | H |
| X | | H | H | X | H | X | H | | | | | | | H |
| X | | X | X | X | X | L | X | | | | | | | L |
| X | | X | X | L | X | X | L | | | | | | | L |
| X | | L | X | X | L | X | L | | | | | | | L |
| L | | X | L | X | L | X | L | | | | | | | L |
| | H | | X | | X | | X | | | | | | | H |
| | X | | H | | X | | X | | | | | | | H |
| | X | | X | | H | | X | | | | | | | H |
| | X | | X | | X | | H | | | | | | | H |
| | L | | L | | L | | L | | | | | | | L |

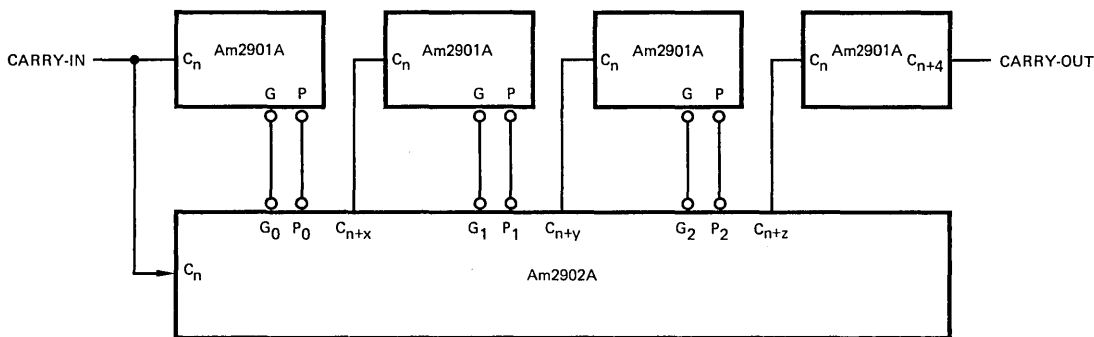
H = HIGH Voltage Level
 L = LOW Voltage Level
 X = Don't Care

Metallization and Pad Layout



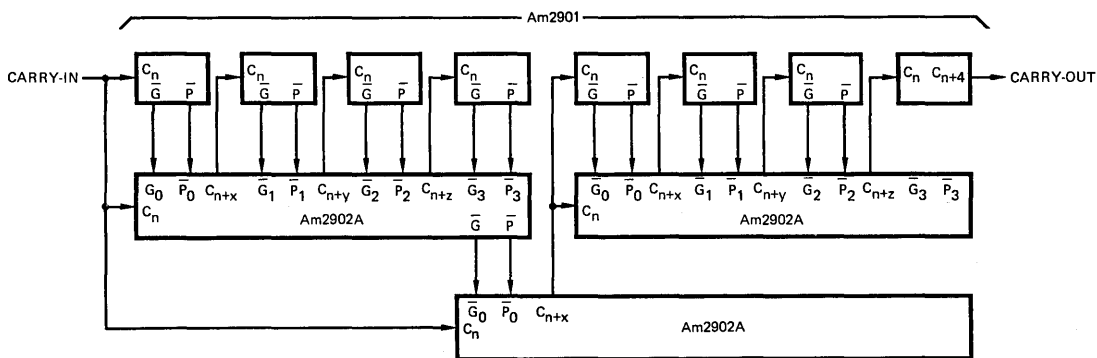
DIE SIZE 0.062" X 0.067"

APPLICATIONS



16-BIT CARRY LOOK-AHEAD CONNECTION.

MPR-028



32-BIT ALU, THREE LEVEL CARRY LOOK-AHEAD.

MPR-029

ORDERING INFORMATION

Order the part number according to the table below to obtain the desired package, temperature range, and screening level.

| Order Number | Package Type (Note 1) | Temperature Range (Note 2) | Screening Level (Note 3) |
|--------------|--------------------------|-------------------------------|--|
| AM2902APC | P-16 | C | C-1 |
| AM2902ADC | D-16 | C | C-1 |
| AM2902ADC-B | D-16 | C | B-1 |
| AM2902ADM | D-16 | M | C-3 |
| AM2902ADM-B | D-16 | M | B-3 |
| AM2902AFM | F-16 | M | C-3 |
| AM2902AFM-B | F-16 | M | B-3 |
| Am2902AXC | Dice | C | Visual inspection to MIL-STD-883 Method 2010B. |
| Am2902AXM | Dice | M | |

- Notes: 1. P = Molded DIP, D = Hermetic DIP, F = Flat Pak. Number following letter is number of leads. See Appendix B for detailed outline. Where Appendix B contains several dash numbers, any of the variations of the package may be used unless otherwise specified.
 2. C = 0°C to +70°C, M = -55°C to +125°C.
 3. See Appendix A for details of screening. Levels C-1 and C-3 conform to MIL-STD-883, Class C. Level B-3 conforms to MIL-STD-883, Class B.

Am2903

The Superslice™

DISTINCTIVE CHARACTERISTICS

- **Expandable Register File—**
Like the Am2901A, the Am2903 contains 16 internal working registers arranged in a two-address architecture. But the Am2903 includes the necessary "hooks" to expand the register file externally to any number of registers.
- **Built-in Multiplication Logic—**
Performing multiplication with the Am2901A requires a few external gates--these gates are contained on-chip in the Am2903. Three special instructions are used for unsigned multiplication, two's complement multiplication, and the last cycle of a two's complement multiplication.
- **Built-in Division Logic—**
The Am2903 contains all logic and interconnects for execution of a non-restoring, multiple-length division with correction of the quotient.
- **Built-in Normalization Logic—**
The Am2903 can simultaneously shift the Q Register and count in a working register. Thus, the mantissa and exponent of a floating point number can be developed using a single microcycle per shift. Status flags indicate when the operation is complete.
- **Built-in Parity Generation Circuitry—**
The Am2903 can supply parity across the entire ALU output for use in error detection and CRC code generation.
- **Built-in Sign Extension Circuitry—**
To facilitate operation on different length two's complement numbers, the Am2903 provides the capability to extend the sign at any slice boundary.

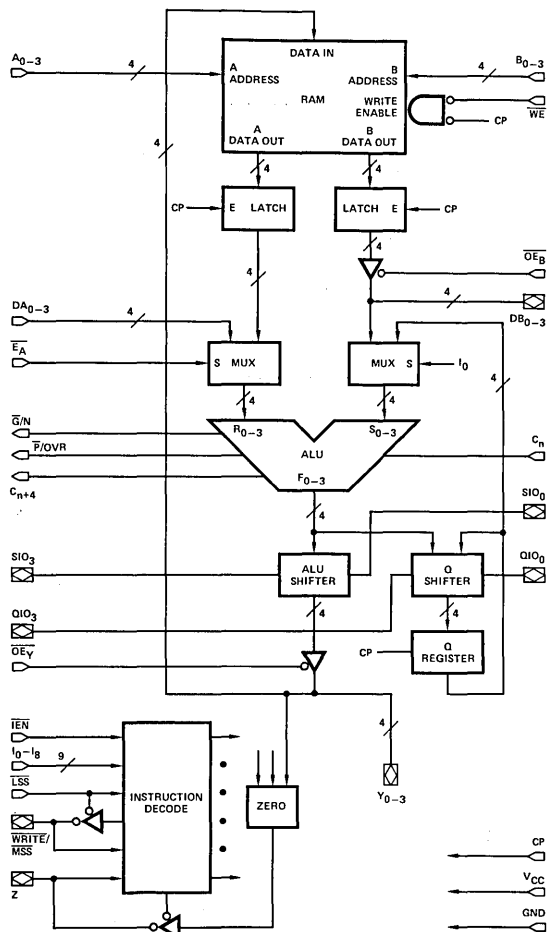
TABLE OF CONTENTS

| | |
|--------------------------|------|
| ALU Functions | 2-31 |
| Block Diagram | 2-32 |
| Special Functions | 2-35 |
| Pin Definitions | 2-36 |
| Pin Connections | 2-37 |
| Package Outline | 2-37 |
| DC Characteristics | 2-38 |
| Applications | |
| Expansion | 2-39 |
| Normalization | 2-41 |
| Multiplication | 2-43 |
| Division | 2-46 |
| Byte Swap | 2-48 |
| Memory Expansion | 2-50 |

GENERAL DESCRIPTION

The Am2903 is a four-bit expandable bipolar microprocessor slice. The Am2903 performs all functions performed by the industry standard Am2901A and, in addition, provides a number of significant enhancements that are especially useful in arithmetic-oriented processors. Infinitely expandable memory and three-port, three-address architecture are provided by the Am2903. In addition to its complete arithmetic and logic instruction set, the Am2903 provides a special set of instructions which facilitate the implementation of multiplication, division, normalization, and other previously time-consuming operations. The Am2903 is supplied in a 48 pin dual in-line package.

BLOCK DIAGRAM



ARCHITECTURE OF THE Am2903

The Am2903 is a high-performance, cascadable, four-bit bipolar microprocessor slice designed for use in CPU's, peripheral controllers, microprogrammable machines, and numerous other applications. The microinstruction flexibility of the Am2903 allows the efficient emulation of almost any digital computing machine. The nine-bit microinstruction selects the ALU sources, function, and destination. The Am2903 is cascadable with full lookahead or ripple carry, has three-state outputs, and provides various ALU status flag outputs. Advanced Low-Power Schottky processing is used to fabricate this 48-pin LSI circuit.

All data paths within the device are four bits wide. As shown in the block diagram, the device consists of a 16-word by 4-bit, two-port RAM with latches on both output ports, a high-performance ALU and shifter, a multi-purpose Q Register with shifter input, and a nine-bit instruction decoder.

Two-Port RAM

Any two RAM words addressed at the A and B address ports can be read simultaneously at the respective RAM A and B output ports. Identical data appear at the two output ports when the same address is applied to both address ports. The latches at the RAM output ports are transparent when the clock input, CP, is HIGH and they hold the RAM output data when CP is LOW. Under control of the \overline{OE}_B three-state output enable, RAM data can be read directly at the Am2903 DB I/O port.

External data at the Am2903 Y I/O port can be written directly into the RAM, or ALU shifter output data can be enabled onto the Y I/O port and entered into the RAM. Data is written into the RAM at the B address when the write enable input, WE, is LOW and the clock input, CP, is LOW.

Arithmetic Logic Unit

The Am2903 high-performance ALU can perform seven arithmetic and nine logic operations on two 4-bit operands. Multiplexers at the ALU inputs provide the capability to select various pairs of ALU source operands. The \overline{E}_A input selects either the DA external data input or RAM output port A for use as one ALU operand and the \overline{OE}_B and I_0 inputs select RAM output port B, DB external data input, or the Q Register content for use as the second ALU operand. Also, during some ALU operations, zeroes are forced at the ALU operand inputs. Thus, the Am2903 ALU can operate on data from two external sources, from an internal and external source, or from two internal sources. Table 1 shows all possible pairs of ALU source operands as a function of the \overline{E}_A , \overline{OE}_B , and I_0 inputs.

When instruction bits I_4 , I_3 , I_2 , I_1 , and I_0 are LOW, the Am2903 executes special functions. Table 4 defines these special functions and the operation which the ALU performs for each. When the Am2903 executes instructions other than the nine special functions, the ALU operation is determined by instruction bits I_4 , I_3 , I_2 , and I_1 . Table 2 defines the ALU operation as a function of these four instruction bits.

Am2903's may be cascaded in either a ripple carry or lookahead carry fashion. When a number of Am2903's are cascaded, each slice must be programmed to be a most significant slice (MSS), intermediate slice (IS), or least significant slice (LSS) of the array. The carry generate, \overline{G} , and carry propagate, \overline{P} , signals required for a lookahead carry scheme are generated by the Am2903 and are available as outputs of the least significant and intermediate slices.

The Am2903 also generates a carry-out signal, C_{n+4} , which is generally available as an output of each slice. Both the carry-in, C_n , and carry-out, C_{n+4} , signals are active HIGH. The ALU

TABLE 1. ALU OPERAND SOURCES

| \overline{E}_A | I_0 | \overline{OE}_B | ALU Operand R | ALU Operand S |
|------------------|-------|-------------------|-------------------|-------------------|
| L | L | L | RAM Output A | RAM Output B |
| L | L | H | RAM Output A | DB ₀₋₃ |
| L | H | X | RAM Output A | Q Register |
| H | L | L | DA ₀₋₃ | RAM Output B |
| H | L | H | DA ₀₋₃ | DB ₀₋₃ |
| H | H | X | DA ₀₋₃ | Q Register |

L = LOW

H = HIGH

X = Don't Care

TABLE 2. ALU FUNCTIONS

| I_4 | I_3 | I_2 | I_1 | Hex Code | ALU Functions |
|-------|-------|-------|-------|----------|---|
| L | L | L | L | 0 | $I_0 = L$ Special Functions $I_0 = H$ $F_i = HIGH$ |
| L | L | L | H | 1 | $F = S$ Minus R Minus 1 Plus C_n |
| L | L | H | L | 2 | $F = R$ Minus S Minus 1 Plus C_n |
| L | L | H | H | 3 | $F = R$ Plus S Plus C_n |
| L | H | L | L | 4 | $F = S$ Plus C_n |
| L | H | L | H | 5 | $F = \overline{S}$ Plus C_n |
| L | H | H | L | 6 | $F = R$ Plus C_n |
| L | H | H | H | 7 | $F = \overline{R}$ Plus C_n |
| H | L | L | L | 8 | $F_i = LOW$ |
| H | L | L | H | 9 | $F_i = \overline{R}_i$ AND S_i |
| H | L | H | L | A | $F_i = R_i$ EXCLUSIVE NOR S_i |
| H | L | H | H | B | $F_i = R_i$ EXCLUSIVE OR S_i |
| H | H | L | L | C | $F_i = R_i$ AND S_i |
| H | H | L | H | D | $F_i = R_i$ NOR S_i |
| H | H | H | L | E | $F_i = R_i$ NAND S_i |
| H | H | H | H | F | $F_i = R_i$ OR S_i |

L = LOW

H = HIGH

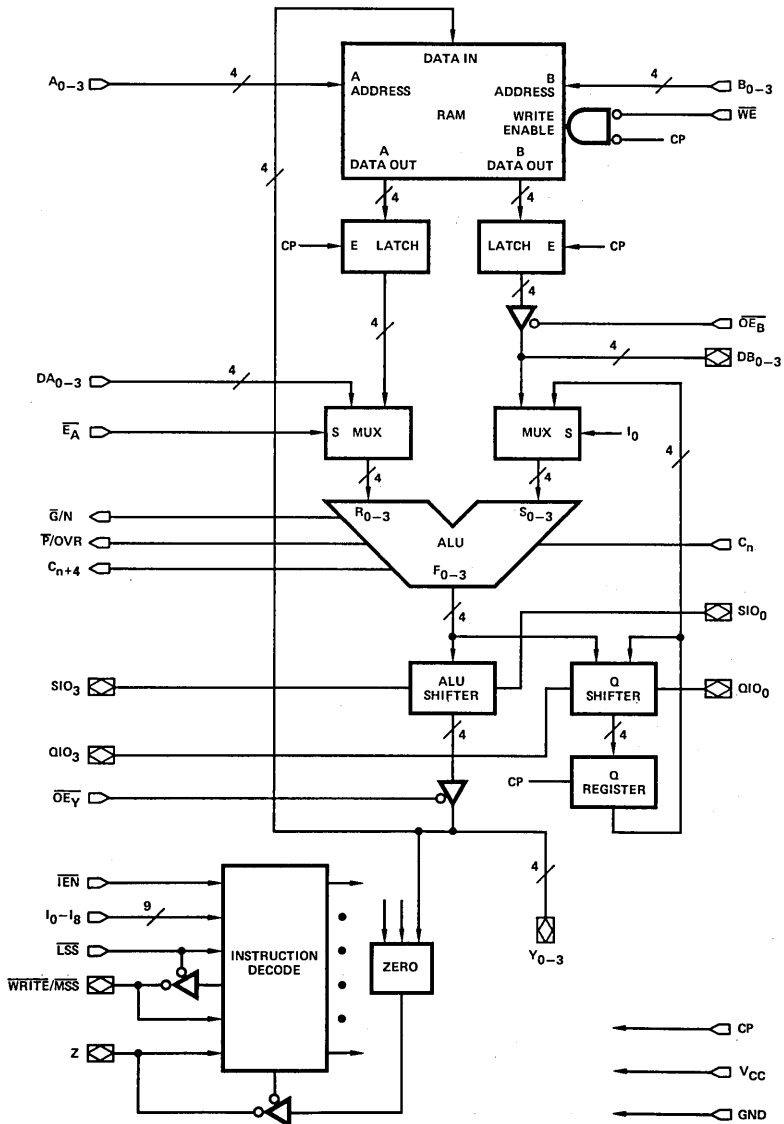
$i = 0$ to 3

generates two other status outputs. These are negative, N, and overflow, OVR. The N output is generally the most significant (sign) bit of the ALU output and can be used to determine positive or negative results. The OVR output indicates that the arithmetic operation being performed exceeds the available two's complement number range. The N and OVR signals are available as outputs of the most significant slice. Thus, the multi-purpose \overline{G}/N and \overline{P}/OVR outputs indicate \overline{G} and \overline{P} at the least significant and intermediate slices, and sign and overflow at the most significant slice. To some extent, the meaning of the C_{n+4} , \overline{P}/OVR , and \overline{G}/N signals vary with the ALU function being performed. Refer to Table 5 for an exact definition of these four signals as a function of the Am2903 instruction.

ALU Shifter

Under instruction control, the ALU shifter passes the ALU output (F) non-shifted, shifts it up one bit position (2F), or shifts it down one bit position (F/2). Both arithmetic and logical shift operations are possible. An arithmetic shift operation shifts data around the most significant (sign) bit position of the most significant slice, and a logical shift operation shifts data through this bit position (see Figure A). SIO_0 and SIO_3 are bidirectional serial shift inputs/outputs. During a shift-up operation, SIO_0 is generally a serial shift input and SIO_3 a serial shift output. During a shift-down operation, SIO_3 is generally a serial shift input and SIO_0 a serial shift output.

BLOCK DIAGRAM



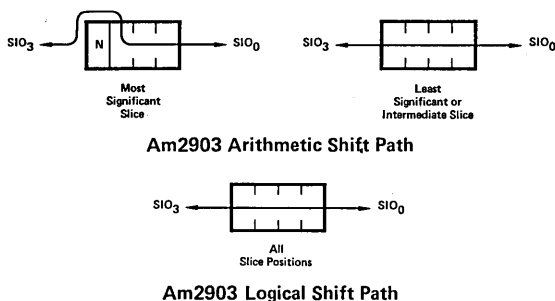


Figure A. MPR-031

To some extent, the meaning of the SIO₀ and SIO₃ signals is instruction dependent. Refer to Tables 3 and 4 for an exact definition of these pins.

The ALU shifter also provides the capability to sign extend at slice boundaries. Under instruction control, the SIO₀ (sign) input can be extended through Y₀, Y₁, Y₂, Y₃ and propagated to the SIO₃ output.

A cascadable, five-bit parity generator/checker is designed into the Am2903 ALU shifter and provides ALU error detection capability. Parity for the F₀, F₁, F₂, F₃ ALU outputs and SIO₃ input is generated and, under instruction control, is made available at the SIO₀ output. Refer to the Am2903 applications section for a more detailed description of the Am2903 sign extension and parity generation/checking capability.

The instruction inputs determine the ALU shifter operation. Table 4 defines the special functions and the operation the ALU shifter performs for each. When the Am2903 executes instructions other than the nine special functions, the ALU shifter operation is determined by instruction bits I₈I₇I₆I₅. Table 3 defines the ALU shifter operation as a function of these four bits.

Q Register

The Q Register is an auxiliary four-bit register which is clocked on the LOW-to-HIGH transition of the CP input. It is intended primarily for use in multiplication and division operations; however, it can also be used as an accumulator or holding register for some

applications. The ALU output, F, can be loaded into the Q Register, and/or the Q Register can be selected as the source for the ALU S operand. The shifter at the input to the Q Register provides the capability to shift the Q Register contents up one bit position (2Q) or down one bit position (Q/2). Only logical shifts are performed. QIO₀ and QIO₃ are bidirectional shift serial inputs/outputs. During a Q Register shift-up operation, QIO₀ is a serial shift input and QIO₃ is a serial shift output. During a shift-down operation, QIO₃ is a serial shift input and QIO₀ is a serial shift output.

Double-length arithmetic and logical shifting capability is provided by the Am2903. The double-length shift is performed by connecting QIO₃ of the most significant slice to SIO₀ of the least significant slice, and executing an instruction which shifts both the ALU output and the Q Register.

The Q Register and shifter are controlled by the instruction inputs. Table 4 defines the Am2903 special functions and the operations which the Q Register and shifter perform for each. When the Am2903 executes instructions other than the nine special functions, the Q Register and shifter operation is controlled by instruction bits I₈I₇I₆I₅. Table 3 defines the Q Register and shifter operation as a function of these four bits.

Output Buffers

The DB and Y ports are bidirectional I/O ports driven by three-state output buffers with external output enable controls. The Y output buffers are enabled when the $\overline{OE_Y}$ input is LOW and are in the high-impedance state when $\overline{OE_Y}$ is HIGH. Likewise, the DB output buffers are enabled when the $\overline{OE_B}$ input is LOW and in the high-impedance state when $\overline{OE_B}$ is HIGH.

The zero, Z, pin is an open collector input/output that can be wire-OR'ed between slices. As an output it can be used as a zero detect status flag and generally indicates that the Y₀₋₃ pins are all LOW, whether they are driven from the Y output buffers or from an external source connected to the Y₀₋₃ pins. To some extent the meaning of this signal varies with the instruction being performed. Refer to Table 5 for an exact definition of this signal as a function of the Am2903 instruction.

TABLE 3. ALU DESTINATION CONTROL FOR I₀ OR I₁ OR I₂ OR I₃ OR I₄ = HIGH, \overline{IEN} = LOW.

| I ₈ | I ₇ | I ₆ | I ₅ | Hex Code | ALU Shifter Function | SIO ₃ | | Y ₃ | | Y ₂ | | Y ₁ | Y ₀ | SIO ₀ | \overline{Write} | Q Reg & Shifter Function | QIO ₃ | QIO ₀ |
|----------------|----------------|----------------|----------------|----------|---|------------------|------------------|------------------|------------------|------------------|------------------|------------------|------------------|------------------|--------------------|--------------------------|------------------|------------------|
| | | | | | | Most Sig. Slice | Other Slices | Most Sig. Slice | Other Slices | Most Sig. Slice | Other Slices | | | | | | | |
| L | L | L | L | 0 | Arith. F/2→Y | Input | Input | F ₃ | SIO ₃ | SIO ₃ | F ₃ | F ₂ | F ₁ | F ₀ | L | Hold | Hi-Z | Hi-Z |
| L | L | L | H | 1 | Log. F/2→Y | Input | Input | SIO ₃ | SIO ₃ | F ₃ | F ₃ | F ₂ | F ₁ | F ₀ | L | Hold | Hi-Z | Hi-Z |
| L | L | H | L | 2 | Arith. F/2→Y | Input | Input | F ₃ | SIO ₃ | SIO ₃ | F ₃ | F ₂ | F ₁ | F ₀ | L | Log. Q/2→Q | Input | Q ₀ |
| L | L | H | H | 3 | Log. F/2→Y | Input | Input | SIO ₃ | SIO ₃ | F ₃ | F ₃ | F ₂ | F ₁ | F ₀ | L | Log. Q/2→Q | Input | Q ₀ |
| L | H | L | L | 4 | F→Y | Input | Input | F ₃ | F ₃ | F ₂ | F ₂ | F ₁ | F ₀ | Parity | L | Hold | Hi-Z | Hi-Z |
| L | H | L | H | 5 | F→Y | Input | Input | F ₃ | F ₃ | F ₂ | F ₂ | F ₁ | F ₀ | Parity | H | Log. Q/2→Q | Input | Q ₀ |
| L | H | H | L | 6 | F→Y | Input | Input | F ₃ | F ₃ | F ₂ | F ₂ | F ₁ | F ₀ | Parity | H | F→Q | Hi-Z | Hi-Z |
| L | H | H | H | 7 | F→Y | Input | Input | F ₃ | F ₃ | F ₂ | F ₂ | F ₁ | F ₀ | Parity | L | F→Q | Hi-Z | Hi-Z |
| H | L | L | L | 8 | Arith. 2F→Y | F ₂ | F ₃ | F ₃ | F ₂ | F ₁ | F ₁ | F ₀ | SIO ₀ | Input | L | Hold | Hi-Z | Hi-Z |
| H | L | L | H | 9 | Log. 2F→Y | F ₃ | F ₃ | F ₂ | F ₂ | F ₁ | F ₁ | F ₀ | SIO ₀ | Input | L | Hold | Hi-Z | Hi-Z |
| H | L | H | L | A | Arith. 2F→Y | F ₂ | F ₃ | F ₃ | F ₂ | F ₁ | F ₁ | F ₀ | SIO ₀ | Input | L | Log. 2Q→Q | Q ₃ | Input |
| H | L | H | H | B | Log. 2F→Y | F ₃ | F ₃ | F ₂ | F ₂ | F ₁ | F ₁ | F ₀ | SIO ₀ | Input | L | Log. 2Q→Q | Q ₃ | Input |
| H | H | L | L | C | F→Y | F ₃ | F ₃ | F ₃ | F ₃ | F ₂ | F ₂ | F ₁ | F ₀ | Hi-Z | H | Hold | Hi-Z | Hi-Z |
| H | H | L | H | D | F→Y | F ₃ | F ₃ | F ₃ | F ₃ | F ₂ | F ₂ | F ₁ | F ₀ | Hi-Z | H | Log. 2Q→Q | Q ₃ | Input |
| H | H | H | L | E | SIO ₀ →Y ₀ , Y ₁ , Y ₂ , Y ₃ | SIO ₀ | SIO ₀ | SIO ₀ | SIO ₀ | SIO ₀ | SIO ₀ | SIO ₀ | SIO ₀ | Input | L | Hold | Hi-Z | Hi-Z |
| H | H | H | H | F | F→Y | F ₃ | F ₃ | F ₃ | F ₃ | F ₂ | F ₂ | F ₁ | F ₀ | Hi-Z | L | Hold | Hi-Z | Hi-Z |

Parity = F₃ ∨ F₂ ∨ F₁ ∨ F₀ ∨ SIO₃
 ∨ = Exclusive OR

L = LOW
 H = HIGH

Hi-Z = High Impedance

TABLE 4. SPECIAL FUNCTIONS: $I_0 = I_1 = I_2 = I_3 = I_4 = \text{LOW}$, $\overline{\text{IEN}} = \text{LOW}$

| I_8 | I_7 | I_6 | I_5 | Hex Code | Special Function | ALU Function | ALU Shifter Function | SIO ₃ | | SIO ₀ | Q Reg & Shifter Function | QIO ₃ | QIO ₀ | $\overline{\text{WRITE}}$ |
|-------|-------|-------|-------|----------|---|--|--------------------------------------|---------------------------|--------------|------------------|--------------------------|------------------|------------------|---------------------------|
| | | | | | | | | Most Sig. Slice | Other Slices | | | | | |
| L | L | L | L | 0 | Unsigned Multiply | $F = S + C_n$ if $Z=L$ $F = R + S + C_n$ if $Z=H$ | Log. $F/2 \rightarrow Y$ (Note 1) | Hi-Z | Input | F_0 | Log. $Q/2 \rightarrow Q$ | Input | Q_0 | L |
| L | L | H | L | 2 | Two's Complement Multiply | $F = S + C_n$ if $Z=L$ $F = R + S + C_n$ if $Z=H$ | Log. $F/2 \rightarrow Y$ (Note 2) | Hi-Z | Input | F_0 | Log. $Q/2 \rightarrow Q$ | Input | Q_0 | L |
| L | H | L | L | 4 | Increment by One or Two | $F = S + 1 + C_n$ | $F \rightarrow Y$ | Input | Input | Parity | Hold | Hi-Z | Hi-Z | L |
| L | H | L | H | 5 | Sign/Magnitude-Two's Complement | $F = S + C_n$ if $Z=L$ $F = \overline{S} + C_n$ if $Z=H$ | $F \rightarrow Y$ (Note 3) | Input | Input | Parity | Hold | Hi-Z | Hi-Z | L |
| L | H | H | L | 6 | Two's Complement Multiply, Last Cycle | $F = S + C_n$ if $Z=L$ $F = S - R - 1 + C_n$ if $Z=H$ | Log. $F/2 \rightarrow Y$ (Note 2) | Hi-Z | Input | F_0 | Log. $Q/2 \rightarrow Q$ | Input | Q_0 | L |
| H | L | L | L | 8 | Single Length Normalize | $F = S + C_n$ | $F \rightarrow Y$ | F_3 | F_3 | Hi-Z | Log. $2Q \rightarrow Q$ | Q_3 | Input | L |
| H | L | H | L | A | Double Length Normalize and First Divide Op. | $F = S + C_n$ | Log $2F \rightarrow Y$ | $R_3 \vee F_3$ | F_3 | Input | Log. $2Q \rightarrow Q$ | Q_3 | Input | L |
| H | H | L | L | C | Two's Complement Divide | $F = S + R + C_n$ if $Z=L$ $F = S - R - 1 + C_n$ if $Z=H$ | Log. $2F \rightarrow Y$ | $\overline{R_3} \vee F_3$ | F_3 | Input | Log. $2Q \rightarrow Q$ | Q_3 | Input | L |
| H | H | H | L | E | Two's Complement Divide, Correction and Remainder | $F = S + R + C_n$ if $Z=L$ $F = S - R - 1 + C_n$ if $Z=H$ | $F \rightarrow Y$ | F_3 | F_3 | Hi-Z | Log. $2Q \rightarrow Q$ | Q_3 | Input | L |

- NOTES: 1. At the most significant slice only, the C_{n+4} signal is internally gated to the Y_3 output.
 2. At the most significant slice only, $F_3 \vee \text{OVR}$ is internally gated to the Y_3 output.
 3. At the most significant slice only, $S_3 \vee F_3$ is generated at the Y_3 output.
 4. Op codes 1, 3, 7, 9, B, D, and F are reserved for future use.

L = LOW
 H = HIGH
 X = Don't Care
 Hi-Z = High Impedance
 \vee = Exclusive OR
 Parity = $SIO_3 \vee F_3 \vee F_2 \vee F_1 \vee F_0$

Instruction Decoder

The Instruction Decoder generates required internal control signals as a function of the nine Instruction inputs, I_0 - I_8 ; the Instruction Enable input, $\overline{\text{IEN}}$; the LSS input; and the $\overline{\text{WRITE}}$ /MSS input/output.

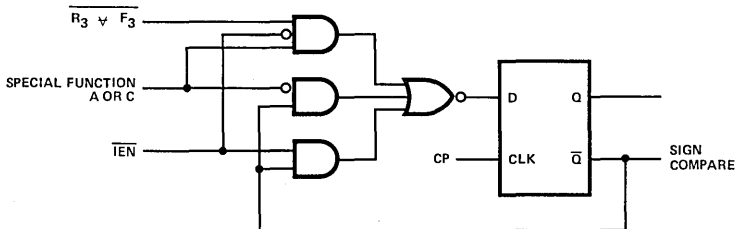
The $\overline{\text{WRITE}}$ output is LOW when an instruction which writes data into the RAM is being executed. Refer to Tables 3 and 4 for a definition of the $\overline{\text{WRITE}}$ output as a function of the Am2903 instruction inputs.

When $\overline{\text{IEN}}$ is HIGH, the $\overline{\text{WRITE}}$ output is forced HIGH and the Q Register and Sign Compare Flip-Flop contents are preserved.

When $\overline{\text{IEN}}$ is LOW, the $\overline{\text{WRITE}}$ output is enabled and the Q Register and Sign Compare Flip-Flop can be written according to the Am2903 instruction. The Sign Compare Flip-Flop is an on-chip flip-flop which is used during an Am2903 divide operation (see Figure B).

Programming the Am2903 Slice Position

Tying the LSS input LOW programs the slice to operate as a least significant slice (LSS) and enables the $\overline{\text{WRITE}}$ output signal onto the $\overline{\text{WRITE}}$ /MSS bidirectional I/O pin. When LSS is tied HIGH, the $\overline{\text{WRITE}}$ /MSS pin becomes an input pin; tying the $\overline{\text{WRITE}}$ /MSS pin HIGH programs the slice to operate as an intermediate slice (IS) and tying it LOW programs the slice to operate as a most significant slice (MSS).



The sign compare signal appears at the Z output of the most significant slice during special functions C, D and E, F. Refer to Table 5.

Figure B. Sign Compare Flip-Flop.

TABLE 5. Am2903 STATUS OUTPUTS

| (Hex) I ₇ I ₆ I ₅ | (Hex) I ₄ I ₃ I ₂ I ₁ | I ₀ | GI (I=0 to 3) | PI (I=0 to 3) | C _{n+4} | P/OVR | | G/N | | Z | | |
|---|--|----------------|--|--|-------------------|-------------------------------------|--------------|---|--------------|---|---|---|
| | | | | | | Most Sig. Slice | Other Slices | Most Sig. Slice | Other Slices | Most Sig. Slice | Intermediate Slice | Least Sig. Slice |
| X | 0 | H | 0 | 1 | 0 | 0 | 0 | F ₃ | G | Y ₀ Y ₁ Y ₂ Y ₃ | Y ₀ Y ₁ Y ₂ Y ₃ | Y ₀ Y ₁ Y ₂ Y ₃ |
| X | 1 | X | R _i ∧ S _i | R _i ∨ S _i | GVPC _n | C _{n+3} ∨ C _{n+4} | P | F ₃ | G | Y ₀ Y ₁ Y ₂ Y ₃ | Y ₀ Y ₁ Y ₂ Y ₃ | Y ₀ Y ₁ Y ₂ Y ₃ |
| X | 2 | X | R _i ∧ S _i | R _i ∨ S _i | GVPC _n | C _{n+3} ∨ C _{n+4} | P | F ₃ | G | Y ₀ Y ₁ Y ₂ Y ₃ | Y ₀ Y ₁ Y ₂ Y ₃ | Y ₀ Y ₁ Y ₂ Y ₃ |
| X | 3 | X | R _i ∧ S _i | R _i ∨ S _i | GVPC _n | C _{n+3} ∨ C _{n+4} | P | F ₃ | G | Y ₀ Y ₁ Y ₂ Y ₃ | Y ₀ Y ₁ Y ₂ Y ₃ | Y ₀ Y ₁ Y ₂ Y ₃ |
| X | 4 | X | 0 | S _i | GVPC _n | C _{n+3} ∨ C _{n+4} | P | F ₃ | G | Y ₀ Y ₁ Y ₂ Y ₃ | Y ₀ Y ₁ Y ₂ Y ₃ | Y ₀ Y ₁ Y ₂ Y ₃ |
| X | 5 | X | 0 | S _i | GVPC _n | C _{n+3} ∨ C _{n+4} | P | F ₃ | G | Y ₀ Y ₁ Y ₂ Y ₃ | Y ₀ Y ₁ Y ₂ Y ₃ | Y ₀ Y ₁ Y ₂ Y ₃ |
| X | 6 | X | 0 | R _i | GVPC _n | C _{n+3} ∨ C _{n+4} | P | F ₃ | G | Y ₀ Y ₁ Y ₂ Y ₃ | Y ₀ Y ₁ Y ₂ Y ₃ | Y ₀ Y ₁ Y ₂ Y ₃ |
| X | 7 | X | 0 | R _i | GVPC _n | C _{n+3} ∨ C _{n+4} | P | F ₃ | G | Y ₀ Y ₁ Y ₂ Y ₃ | Y ₀ Y ₁ Y ₂ Y ₃ | Y ₀ Y ₁ Y ₂ Y ₃ |
| X | 8 | X | 0 | 1 | 0 | 0 | 0 | F ₃ | G | Y ₀ Y ₁ Y ₂ Y ₃ | Y ₀ Y ₁ Y ₂ Y ₃ | Y ₀ Y ₁ Y ₂ Y ₃ |
| X | 9 | X | R _i ∧ S _i | 1 | 0 | 0 | 0 | F ₃ | G | Y ₀ Y ₁ Y ₂ Y ₃ | Y ₀ Y ₁ Y ₂ Y ₃ | Y ₀ Y ₁ Y ₂ Y ₃ |
| X | A | X | R _i ∧ S _i | R _i ∨ S _i | 0 | 0 | 0 | F ₃ | G | Y ₀ Y ₁ Y ₂ Y ₃ | Y ₀ Y ₁ Y ₂ Y ₃ | Y ₀ Y ₁ Y ₂ Y ₃ |
| X | B | X | R _i ∧ S _i | R _i ∨ S _i | 0 | 0 | 0 | F ₃ | G | Y ₀ Y ₁ Y ₂ Y ₃ | Y ₀ Y ₁ Y ₂ Y ₃ | Y ₀ Y ₁ Y ₂ Y ₃ |
| X | C | X | R _i ∧ S _i | 1 | 0 | 0 | 0 | F ₃ | G | Y ₀ Y ₁ Y ₂ Y ₃ | Y ₀ Y ₁ Y ₂ Y ₃ | Y ₀ Y ₁ Y ₂ Y ₃ |
| X | D | X | R _i ∧ S _i | 1 | 0 | 0 | 0 | F ₃ | G | Y ₀ Y ₁ Y ₂ Y ₃ | Y ₀ Y ₁ Y ₂ Y ₃ | Y ₀ Y ₁ Y ₂ Y ₃ |
| X | E | X | R _i ∧ S _i | 1 | 0 | 0 | 0 | F ₃ | G | Y ₀ Y ₁ Y ₂ Y ₃ | Y ₀ Y ₁ Y ₂ Y ₃ | Y ₀ Y ₁ Y ₂ Y ₃ |
| X | F | X | R _i ∧ S _i | 1 | 0 | 0 | 0 | F ₃ | G | Y ₀ Y ₁ Y ₂ Y ₃ | Y ₀ Y ₁ Y ₂ Y ₃ | Y ₀ Y ₁ Y ₂ Y ₃ |
| 0 | 0 | L | 0 if Z=L R _i ∧ S _i if Z=H | S _i if Z=L R _i ∨ S _i if Z=H | GVPC _n | C _{n+3} ∨ C _{n+4} | P | F ₃ | G | Input | Input | Q ₀ |
| 2 | 0 | L | 0 if Z=L R _i ∧ S _i if Z=H | S _i if Z=L R _i ∨ S _i if Z=H | GVPC _n | C _{n+3} ∨ C _{n+4} | P | F ₃ | G | Input | Input | Q ₀ |
| 4 | 0 | L | See Note 1 | See Note 2 | GVPC _n | C _{n+3} ∨ C _{n+4} | P | F ₃ | G | Y ₀ Y ₁ Y ₂ Y ₃ | Y ₀ Y ₁ Y ₂ Y ₃ | Y ₀ Y ₁ Y ₂ Y ₃ |
| 5 | 0 | L | 0 | S _i if Z=L S _i if Z=H | GVPC _n | C _{n+3} ∨ C _{n+4} | P | F ₃ if Z=L F ₃ ∨ S ₃ if Z=H | G | S ₃ | Input | Input |
| 6 | 0 | L | 0 if Z=L R _i ∧ S _i if Z=H | S _i if Z=L R _i ∨ S _i if Z=H | GVPC _n | C _{n+3} ∨ C _{n+4} | P | F ₃ | G | Input | Input | Q ₀ |
| 8 | 0 | L | 0 | S _i | See Note 3 | Q ₂ ∨ Q ₁ | P | Q ₃ | G | Q ₀ Q ₁ Q ₂ Q ₃ | Q ₀ Q ₁ Q ₂ Q ₃ | Q ₀ Q ₁ Q ₂ Q ₃ |
| A | 0 | L | 0 | S _i | See Note 4 | F ₂ ∨ F ₁ | P | F ₃ | G | See Note 5 | See Note 5 | See Note 5 |
| C | 0 | L | R _i ∧ S _i if Z=L R _i ∧ S _i if Z=H | R _i ∨ S _i if Z=L R _i ∨ S _i if Z=H | GVPC _n | C _{n+3} ∨ C _{n+4} | P | F ₃ | G | Sign Compare FF Output | Input | Input |
| E | 0 | L | R _i ∧ S _i if Z=L R _i ∧ S _i if Z=H | R _i ∨ S _i if Z=L R _i ∨ S _i if Z=H | GVPC _n | C _{n+3} ∨ C _{n+4} | P | F ₃ | G | Sign Compare FF Output | Input | Input |

L = LOW = 0
H = HIGH = 1
V = OR
∧ = AND
∨ = EXCLUSIVE OR
P = P₃P₂P₁P₀
G = G₃G₂G₁G₀
C_{n+3} = G₂VG₁P₂VG₀P₁P₂V C_nP₃P₁P₂

- NOTES: 1. If LSS is LOW, G₀ = S₀ and G_{1,2,3} = 0
If LSS is HIGH, G_{0,1,2,3} = 0
2. If LSS is LOW, P₀ = 1 and P_{1,2,3} = S_{1,2,3}
If LSS is HIGH, P_i = S_i
3. At the most significant slice, C_{n+4} = Q₃ ∨ Q₂
At other slices, C_{n+4} = GVPC_n
4. At the most significant slice, C_{n+4} = F₃ ∨ F₂
At other slices, C_{n+4} = GVPC_n
5. Z = Q₀Q₁Q₂Q₃F₀F₁F₂F₃

Am2903 SPECIAL FUNCTIONS

The Am2903 provides nine Special Functions which facilitate the implementation of the following operations:

- Single- and Double-Length Normalization
- Two's Complement Division
- Unsigned and Two's Complement Multiplication
- Conversion Between Two's Complement and Sign/Magnitude Representation
- Incrementation by One or Two

Table 4 defines these Special Functions.

The Single-Length and Double-Length Normalization functions can be used to adjust a single-precision or double-precision floating point number in order to bring its mantissa within a specified range.

Three Special Functions which can be used to perform a two's complement, non-restoring divide operation are provided by the Am2903. These functions provide both single- and double-precision divide operations and can be performed in "n" clock cycles, where "n" is the number of bits in the quotient.

The Unsigned Multiply Special Function and the two Two's Complement Multiply Special Functions can be used to multiply two n-bit, unsigned or two's complement numbers, respectively, in n clock cycles. These functions utilize the conditional add and shift algorithm. During the last cycle of the two's complement multiplication, a conditional subtraction, rather than addition, is performed because the sign bit of the multiplier carries negative weight.

The Sign/Magnitude-Two's Complement Special Function can be used to convert number representation systems. A number expressed in Sign/Magnitude representation can be converted to the Two's Complement representation, and vice-versa, in one clock cycle.

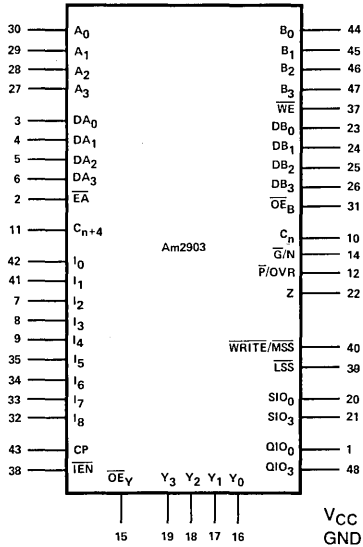
The Increment by One or Two Special Function can be used to increment an unsigned or two's complement number by one or two. This is useful in 16-bit word, byte-addressable machines, where the word addresses are multiples of two.

Refer to Am2903 applications section for a more detailed description of these Special Functions.

PIN DEFINITIONS

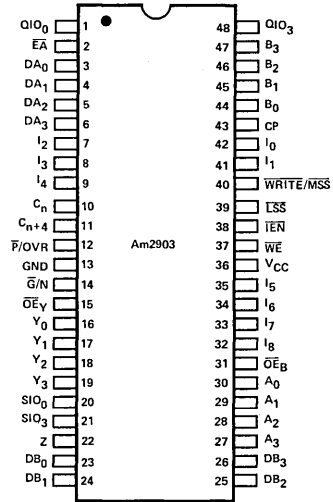
| | | | |
|-------------------------|---|--|---|
| A₀₋₃ | Four RAM address inputs which contain the address of the RAM word appearing at the RAM A output port. | Z | An open-collector input/output pin which, when HIGH, generally indicates the Y ₀₋₃ outputs are all LOW. For some Special Functions, Z is used as an input pin. Refer to Table 5 for an exact definition of this pin. |
| B₀₋₃ | Four RAM address inputs which contain the address of the RAM word appearing at the RAM B output port and into which new data is written when the \overline{WE} input and the CP input are LOW. | SIO₀, SIO₃ | Bidirectional serial shift inputs/outputs for the ALU shifter. During a shift-up operation, SIO ₀ is an input and SIO ₃ an output. During a shift-down operation, SIO ₃ is an input and SIO ₀ is an output. Refer to Tables 3 and 4 for an exact definition of these pins. |
| \overline{WE} | The RAM write enable input. If \overline{WE} is LOW, data at the Y I/O port is written into the RAM when the CP input is LOW. When \overline{WE} is HIGH, writing data into the RAM is inhibited. | QIO₀, QIO₃ | Bidirectional serial shift inputs/outputs for the Q shifter which operate like SIO ₀ and SIO ₃ . Refer to Tables 3 and 4 for an exact definition of these pins. |
| DA₀₋₃ | A four-bit external data input which can be selected as one of the Am2903 ALU operand sources; DA ₀ is the least significant bit. | \overline{LSS} | An input pin which, when tied LOW, programs the chip to act as the least significant slice (LSS) of an Am2903 array and enables the \overline{WRITE} output onto the $\overline{WRITE/MSS}$ pin. When \overline{LSS} is tied HIGH, the chip is programmed to operate as either an intermediate or most significant slice and the \overline{WRITE} output buffer is disabled. |
| \overline{EA} | A control input which, when HIGH, selects DA ₀₋₃ and, when LOW, selects RAM output A as the ALU R operand. | $\overline{WRITE/MSS}$ | When \overline{LSS} is tied LOW, the \overline{WRITE} output signal appears at this pin; the \overline{WRITE} signal is LOW when an instruction which writes data into the RAM is being executed. When \overline{LSS} is tied HIGH, $\overline{WRITE/MSS}$ is an input pin; tying it HIGH programs the chip to operate as an intermediate slice (IS) and tying it LOW programs the chip to operate as the most significant slice (MSS). |
| DB₀₋₃ | A four-bit external data input/output. Under control of the $\overline{OE_B}$ input, RAM output port B can be directly read on these lines, or input data on these lines can be selected as the ALU S operand. | Y₀₋₃ | Four data inputs/outputs of the Am2903. Under control of the $\overline{OE_Y}$ input, the ALU shifter output data can be enabled onto these lines, or these lines can be used as data inputs when external data is written directly into the RAM. |
| $\overline{OE_B}$ | A control input which, when LOW, enables RAM output B onto the DB ₀₋₃ lines and, when HIGH, disables the RAM output B tri-state buffers. | $\overline{OE_Y}$ | A control input which, when LOW, enables the ALU shifter output data onto the Y ₀₋₃ lines and, when HIGH, disables the Y ₀₋₃ three-state output buffers. |
| C_n | The carry-in input to the Am2903 ALU. | CP | The clock input to the Am2903. The Q Register and Sign Compare flip-flop are clocked on the LOW-to-HIGH transition of the CP signal. When enabled by \overline{WE} , data is written in the RAM when CP is LOW. |
| I₀₋₈ | The nine instruction inputs used to select the Am2903 operation to be performed. | | |
| \overline{IEN} | The instruction enable input which, when LOW, enables the \overline{WRITE} output and allows the Q Register and the Sign Compare flip-flop to be written. When \overline{IEN} is HIGH, the \overline{WRITE} output is forced HIGH and the Q Register and Sign Compare flip-flop are in the hold mode. | | |
| C_{n+4} | This output generally indicates the carry-out of the Am2903 ALU. Refer to Table 5 for an exact definition of this pin. | | |
| $\overline{G/N}$ | A multi-purpose pin which indicates the carry generate, \overline{G} , function at the least significant and intermediate slices, and generally indicates the sign, N, of the ALU result at the most significant slice. Refer to Table 5 for an exact definition of this pin. | | |
| $\overline{P/OVR}$ | A multi-purpose pin which indicates the carry propagate, \overline{P} , function at the least significant and intermediate slices, and indicates the conventional two's complement overflow, OVR, signal at the most significant slice. Refer to Table 5 for an exact definition of this pin. | | |

LOGIC SYMBOL



V_{CC} = Pin 36
GND = Pin 13

CONNECTION DIAGRAM
Top View

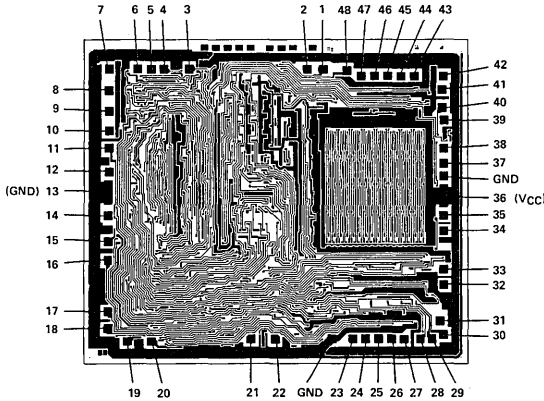


Note: Pin 1 is marked for orientation.

MPR-033

MPR-034

Metallization and Pad Layout



DIE SIZE 0.163" X 0.197"
Note: Pin numbers correspond to DIP package.

ORDERING INFORMATION

Order the part number according to the table below to obtain the desired package, temperature range, and screening level.

| Number | Package Type (Note 1) | Temperature Range (Note 2) | Screening Level (Note 3) |
|------------|--------------------------|-------------------------------|-----------------------------|
| AM2903DC | D-48 | C | C-1 |
| AM2903DC-B | D-48 | C | B-1 |
| AM2903DM | D-48 | M | C-3 |
| AM2903DM-B | D-48 | M | B-3 |
| AM2903FM | F-48 | M | C-3 |
| AM2903FM-B | F-48 | M | B-3 |

Notes: 1. P = Molded DIP, D = Hermetic DIP, F = Flat Pak. Number following letter is number of leads. See Appendix B for detailed outline. Where Appendix B contains several dash numbers, any of the variations of the package may be used unless otherwise specified.
2. C = 0°C to +70°C, M = -55°C to +125°C.
3. See Appendix A for details of screening. Levels C-1 and C-3 conform to MIL-STD-883, Class C. Level B-3 conforms to MIL-STD-883, Class B.

Am2903

Am2903

OPERATING RANGE

| P/N | Range | Temperature | V _{CC} | |
|--------------|-------|----------------------------------|-----------------------------|------------------------------|
| Am2903PC, DC | COM'L | T _A = 0°C to +70°C | V _{CC} = 5.0V ±5% | (MIN. = 4.75V, MAX. = 5.25V) |
| Am2903DM, FM | MIL | T _C = -55°C to +125°C | V _{CC} = 5.0V ±10% | (MIN. = 4.50V, MAX. = 5.50V) |

DC CHARACTERISTICS OVER OPERATING RANGE

| Parameters | Description | Test Conditions (Note 1) | | Min. | Typ. (Note 2) | Max. | Units | | | |
|--------------------------------------|--|--|--|---|------------------|------|--------------|-------|-----|-----|
| V _{OH} | Output HIGH Voltage | V _{CC} = MIN. V _{IN} = V _{IH} or V _{IL} | I _{OH} = -1.6mA Y ₀ -Y ₃ , \bar{G} /N | 2.4 | | | Volts | | | |
| | | | I _{OH} = -800μA DB ₀₋₃ , \bar{P} /OVR SIO ₀ , SIO ₃ , QIO ₀ , QIO ₃ , WRITE, C _n +4 | 2.4 | | | | | | |
| I _{CEX} | Output Leakage Current for Z Output (Note 4) | V _{CC} = MIN., V _{OH} = 5.5V V _{IN} = V _{IH} or V _{IL} | | | | 250 | μA | | | |
| V _{OL} | Output LOW Voltage | V _{CC} = MIN. V _{IN} = V _{IH} = or V _{IL} | Y ₀ , Y ₁ , Y ₂ Y ₃ , Z | I _{OL} = 20mA (COM'L) I _{OL} = 16mA (MIL) | | | 0.5 | Volts | | |
| | | | DB ₀ , DB ₁ , DB ₂ , DB ₃ | I _{OL} = 12mA (COM'L) I _{OL} = 8.0mA (MIL) | | | | | 0.5 | |
| | | | \bar{G} /N | I _{OL} = 18mA | | | | | 0.5 | |
| | | | \bar{P} /OVR | I _{OL} = 10mA | | | | | 0.5 | |
| | | | C _n +4, SIO ₀ SIO ₃ , QIO ₀ QIO ₃ , WRITE | I _{OL} = 8.0mA | | | | | 0.5 | |
| | | | | | | | | | | |
| V _{IH} | Input HIGH Level | Guaranteed input logical HIGH voltage for all inputs (Note 6) | | 2.0 | | | Volts | | | |
| V _{IL} | Input LOW Level | Guaranteed input logical LOW voltage for all inputs (Note 6) | | | | 0.8 | Volts | | | |
| V _i | Input Clamp Voltage | V _{CC} = MIN., I _{IN} = -18mA | | | | -1.5 | Volts | | | |
| I _{IL} | Input LOW Current | V _{CC} = MAX., V _{IN} = 0.5V (Note 4) | C _n | | | | -3.6 | mA | | |
| | | | Y ₀ , Y ₁ , Y ₂ , Y ₃ | | | | -1.08 | | | |
| | | | I ₀ , I ₁ , I ₂ , I ₃ , I ₄ , DA ₀ , DA ₁ , DA ₂ , DA ₃ , SIO ₀ SIO ₃ , QIO ₀ , QIO ₃ , MSS, DB ₀ , DB ₁ , DB ₂ , DB ₃ | | | | -0.72 | | | |
| | | | All other inputs | | | | -0.36 | | | |
| | | | | | | | | | | |
| I _{IH} | Input HIGH Current | V _{CC} = MAX., V _{IN} = 2.7V (Note 4) | C _n | | | | 120 | μA | | |
| | | | Y ₀ , Y ₁ , Y ₂ , Y ₃ | | | | 110 | | | |
| | | | I ₀ -I ₄ , DA ₀ -DA ₃ | | | | 40 | | | |
| | | | SIO ₀ , SIO ₃ , QIO ₀ , QIO ₃ , DB ₀₋₃ , MSS | | | | 90 | | | |
| | | | All other inputs | | | | 20 | | | |
| I _i | Input HIGH Current | V _{CC} = MAX., V _{IN} = 5.5V | | | | 1.0 | mA | | | |
| I _{ozH} I _{ozL} | Off State (HIGH Impedance) Output Current | V _{CC} = MAX., (Note 4) | Y ₀ -Y ₃ | V _O = 2.4V V _O = 0.5V | | | 110 -1130 | μA | | |
| | | | DB ₀₋₃ , QIO ₀ , QIO ₃ , SIO ₀ , SIO ₃ , MSS/IS | V _O = 2.4V V _O = 0.5V | | | 90 -770 | | | |
| I _{OS} | Output Short Circuit Current (Note 3) | V _{CC} = MAX + 0.5V V _O = 0.5V | | -30 | | -85 | mA | | | |
| I _{CC} | Power Supply Current (Note 5) | V _{CC} = MAX. | T _A = 25°C | | | 220 | 335 | mA | | |
| | | | COM'L | T _A = 0 to 70°C | | | | | 350 | |
| | | | | T _A = 70°C | | | | | 291 | |
| | | | MIL | T _C = -55 to 125°C | | | | | | 395 |
| | | | | T _C = 125°C | | | | | | 258 |

- Notes: 1. For conditions shown as MIN. or MAX., use the appropriate value specified under Electrical Characteristics for the applicable device type.
 2. Typical limits are at V_{CC} = 5.0V, 25°C ambient and maximum loading.
 3. Not more than one output should be shorted at a time. Duration of the short circuit test should not exceed one second.
 4. Y₀₋₃, DB₀₋₃, SIO_{0,3}, QIO_{0,3} and WRITE/MSS are three state outputs internally connected to TTL inputs. Z is an open-collector output internally connected to a TTL input. Input characteristics are measured under conditions such that the outputs are in the OFF state.
 5. Worst case I_{CC} is at minimum temperature.
 6. These input levels provide zero noise immunity and should only be tested in a static, noise-free environment.

USING THE Am2903

Am2903 APPLICATIONS

The Am2903 is designed to be used in microprogrammed systems. Figure 1 illustrates a recommended architecture. The control and data inputs to the Am2903 normally will all come from registers clocked at the same time as the Am2903. The register inputs come from a ROM or PROM — the "microprogram store". This memory contains sequences of microinstructions which apply the proper control signals to the Am2903's and other circuits to execute the desired operation.

The address lines of the microprogram store are driven from the Am2910 Microprogram Sequencer. This device has facilities for storing an address, incrementing an address, jumping to any address, and linking subroutines. The Am2910 is controlled by some of the bits coming from the microprogram store. Essentially, these bits are the "next instruction" control.

One Level Pipeline Based System

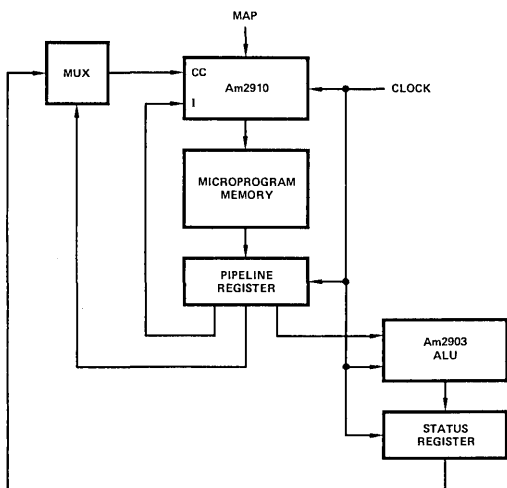


Figure 1. Typical Microprogram Architecture.

MPR-035

Note that with the microprogram register in between the microprogram memory store and the Am2903's, a microinstruction accessed on one cycle is executed on the next cycle. As one microinstruction is executed, the next microinstruction is being read from microprogram memory. In this configuration, system speed is improved because the execution time in the Am2903's occurs in parallel with the access time of the microprogram store. Without the "pipeline register", these two functions must occur serially.

Expansion of the Am2903

The Am2903 is a four-bit CPU slice. Any number of Am2903's can be interconnected to form CPU's of 8, 16, 32, or more bits, in four-bit increments. Figure 2 illustrates the interconnection of four Am2903's to form a 16-bit CPU, using ripple carry.

With the exception of the carry interconnection, all expansion schemes are the same. The QIO₃ and SIO₃ pins are bidirectional left/right shift lines at the MSB of the device. For all devices except the most significant, these lines are connected to the QIO₀ and SIO₀ pins of the adjacent more significant device. These connections allow the Q Registers of all Am2903's to be shifted left or right as a contiguous n-bit register, and also allow the ALU output data to be shifted left or right as a contiguous n-bit word prior to storage in the RAM. At the LSB and MSB of the CPU, the shift pins should be connected to a shift multiplexer which can be controlled by the microcode to select the appropriate input signals to the shift inputs.

Device 1 has been defined as the least significant slice (LSS) and its LSS pin has accordingly been grounded. The Write/Most Significant Slice (WRITE/MSS) pin of device 1 is now defined as being the Write output, which may now be used to drive the write enable (WE) signal common to the four devices. Devices 2 and 3 are designated as intermediate slices and hence the LSS and WRITE/MSS pins are tied HIGH. Device 4 is designated the most significant slice (MSS) with the LSS pin tied HIGH and the WRITE/MSS pin held LOW. The open collector, bidirectional Z pins are tied together for detecting zero or for inter-chip communication for some special instruction. The Carry-Out (C_{n+4}) is connected to the Carry-In (C_n) of the next chip in the case of ripple carry. For a faster carry scheme, an Am2902 may be employed (as shown in Figure 3) such that the \bar{G} and \bar{P} outputs of the Am2903 are connected to the appropriate \bar{G} and \bar{P} inputs of the Am2902, while the C_{n+x}, C_{n+y}, and C_{n+z} outputs of the Am2902 are connected to the C_n input of the appropriate Am2903. Note that \bar{G}/N and \bar{P}/OVR pin functions are device dependent. The most significant slice outputs N and OVR while all other slices output \bar{G} and \bar{P} .

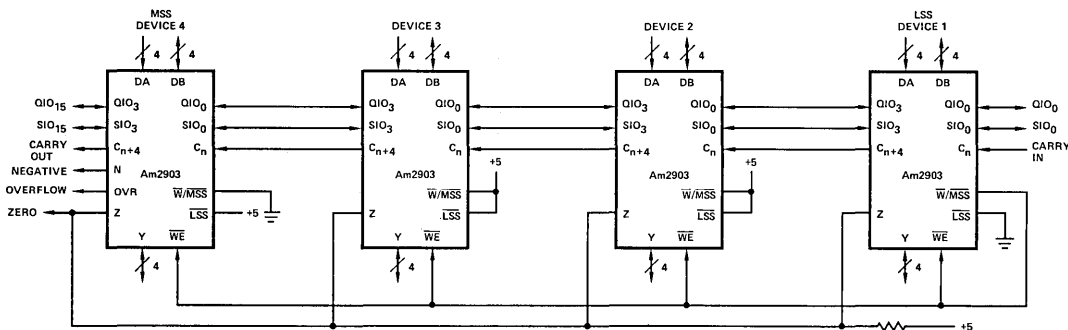


Figure 2. 16-Bit CPU with Ripple Carry.

MPR-036

The \overline{IEN} pin of the Am2903 allows the option of conditional instruction execution. If \overline{IEN} is LOW, all internal clocking is enabled, allowing the latches, RAM, and Q Register to function. If \overline{IEN} is HIGH, the RAM and Q Register are disabled. The RAM is controlled by \overline{IEN} if \overline{WE} is connected to the \overline{WRITE} output.

It would be appropriate at this point to mention that the Am2903 may be microcoded to work in either two- or three-address architecture modes. The two-address modes allow $A+B \rightarrow B$ while the three-address mode makes possible $A+B \rightarrow C$. Implementation of a three-address architecture is made possible by varying the timing of \overline{IEN} in relationship to the external clock and changing the B address as shown in Figure 4. This technique is discussed in more detail under Memory Expansion.

Parity

The Am2903 computes parity on a chosen word when the instruction bits I_{5-8} have the values of 4_{16} to 7_{16} as shown in Table 3. The computed parity is the result of the exclusive OR of the individual ALU outputs and SIO_3 . Parity output is found on SIO_0 . Parity between devices may be cascaded by the interconnection of the SIO_0 and SIO_3 ports of the devices as shown in Figure 3. The equation for the parity output at SIO_0 port of device 1 is given by $SIO_0 = F_{15} \vee F_{14} \vee F_{13} \vee \dots \vee F_1 \vee F_0 \vee SIO_{15}$.

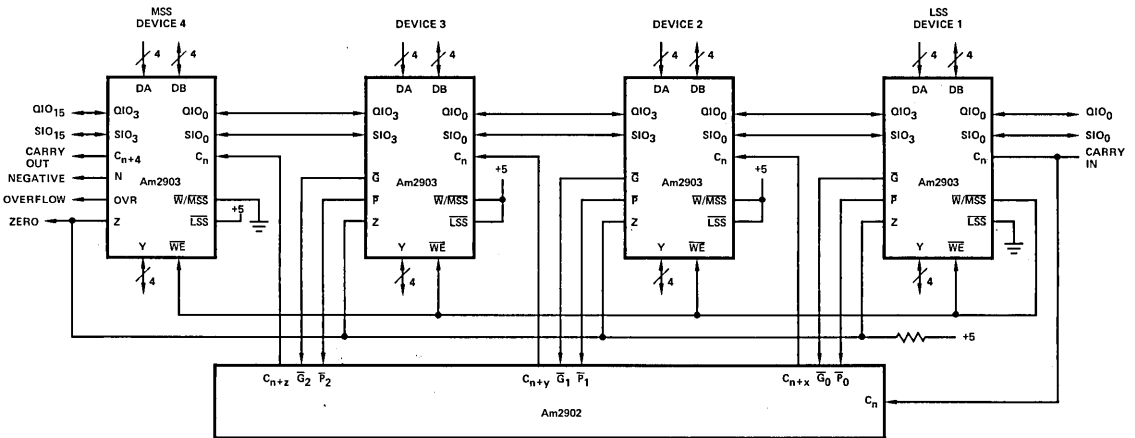


Figure 3. 16-Bit CPU with Carry Look Ahead.

MPR-037

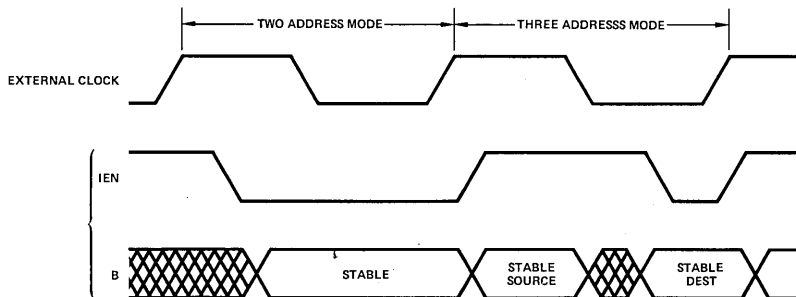


Figure 4. Relationship of \overline{IEN} and Clock During Two Address and Three Address Modes.

MPR-038

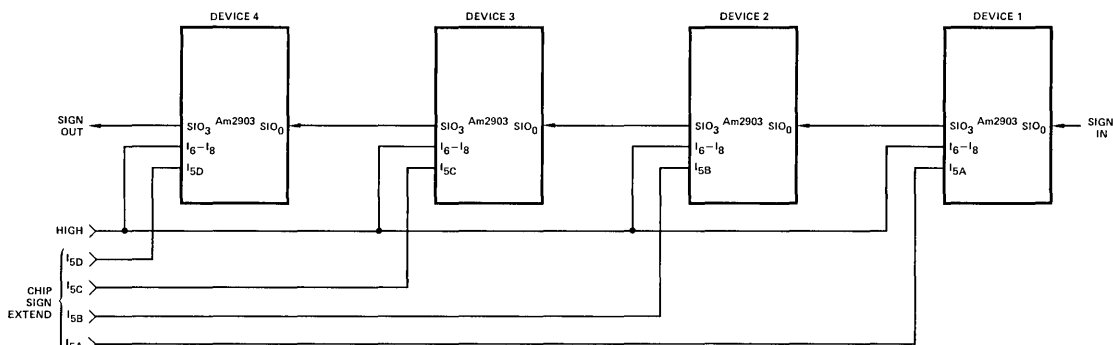


Figure 5. Sign Extend.

MPR-039

Sign Extend

Sign extension across any number of Am2903 devices can be done in one microcycle. Referring again to the table of instructions (Table 3), the sign extend instruction (Hex instruction E) on I_{5-8} causes the sign present at the SIO_0 port of a device to be extended across the device and appear at the SIO_3 port and at the Y outputs. If the least significant bit of the instruction (bit I_5) is HIGH, Hex instruction F is present on I_{5-8} , commanding a shifter pass instruction. At this time, F_3 of the ALU is present on the SIO_3 output pin. It is then possible to control the extension of the sign across chip boundaries by controlling the state of I_5 when I_{6-8} are HIGH. Figure 5 outlines the Am2903 in sign extend mode. With I_{6-8} held HIGH, the individual chip sign extend is controlled by I_{5A-D} . If, for example, I_{5A} and I_{5B} are HIGH while I_{5C} and I_{5D} are LOW, the signal present at the boundaries of devices 2 and 3 (F_3 of device 2) will be extended across devices 3 and 4 at the SIO_3 pin of device 4. The output of the four devices will be available at their respective Y data ports. The next positive edge of the clock will load the Y outputs into the address selected by the B port. Hence, the results of the sign extension is stored in the RAM.

SPECIAL FUNCTIONS

When $I_{0-4} = 0$, the Am2903 is in the Special Function mode. In this mode, both the source and destination are controlled by I_{5-8} . The Special Functions are in essence special microinstructions that are used to reduce the number of microcycles needed to execute certain functions in the Am2903.

Normalization, Single- and Double-Length

Normalization is used as a means of referencing a number to a fixed radix point. Normalization strips out all leading sign bits such that the two bits immediately adjacent to the radix point are of opposite polarity.

Normalization is commonly used in such operations as fixed-to-floating point conversion and division. The Am2903 provides for normalization by using the Single-Length and Double-Length Normalize commands. Figure 6a represents the Q Register of a 16-bit processor which contains a positive number. When the Single-Length Normalize command is applied, each positive edge of the clock will cause the bits to shift toward the most significant bit (bit 15) of the Q Register. Zeros are shifted in via the QIO_0 port. When the bits on either side of the radix point (bits 14 and 15) are of opposite value, the number is considered to be normalized as shown in Figure 6b. The event of normalization is externally indicated by a HIGH level on the C_{n+4} pin of the most significant slice ($C_{n+4} \text{ MSS} = Q_3 \text{ MSS} \nabla Q_2 \text{ MSS}$).

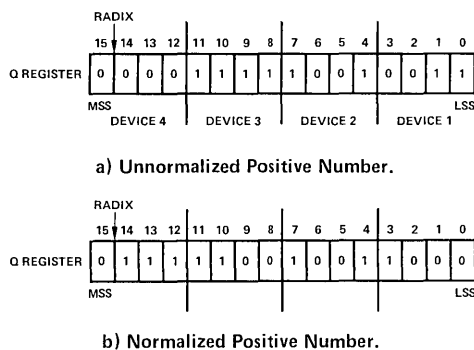


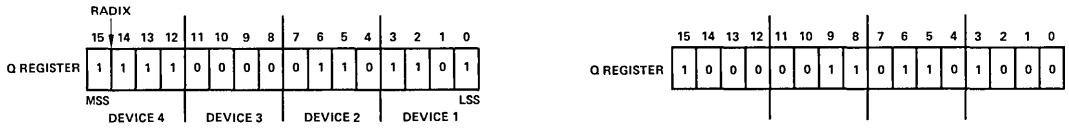
Figure 6.

MPR-040

There are also provisions made for a normalization indication via the OVR pin one microcycle before the same indication is available on the C_{n+4} pin ($OVR = Q_2 \text{ MSS} \nabla Q_1 \text{ MSS}$). This is for use in applications that require a stage of register buffering of the normalization indication.

Since a number comprised of all zeros is not considered for normalization, the Am2903 indicates when such a condition arises. If the Q Register is zero and the Single-Length Normalize command is given, a HIGH level will be present on the Z line. The sign output, N, indicates the sign of the number stored in the Q register, $Q_3 \text{ MSS}$. An unnormalized negative number (Figure 7a) is normalized in the same manner as a positive number. The results of single-length normalization are shown in Figure 7b. The device interconnection for single-length normalization is outlined in Figure 8. During single length normalization, the number of shifts performed to achieve normalization can be counted and stored in one of the working registers. This can be achieved by forcing a HIGH at the C_n input of the least significant slice, since during this special function the ALU performs the function $[B] + C_n$ and the result is stored in B.

Normalizing a double-length word can be done with the Double-Length Normalize command which assumes that a user-selected RAM Register contains the most significant portion of the word to be normalized while the Q Register holds the least significant half (Figure 9). The device interconnection for double-length normalization is shown in Figure 10. The C_{n+4} , OVR, N, and Z outputs of the most significant slice perform the same functions in double-length normalization as they did in single-length normalization except that C_{n+4} , OVR, and N are derived from the output of the ALU of the most significant slice in the case of double-length normalization, instead of the Q Register of the most significant



a) Unnormalized Negative Single Length Number.

b) Normalized Negative Single Length Number.

Figure 7.

MPR-041

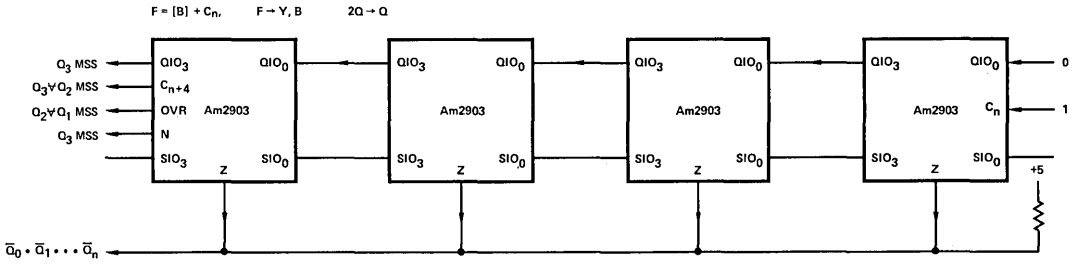


Figure 8. Single Length Normalize.

MPR-042

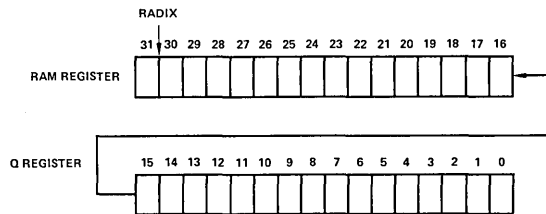


Figure 9. Double Length Word.

MPR-043

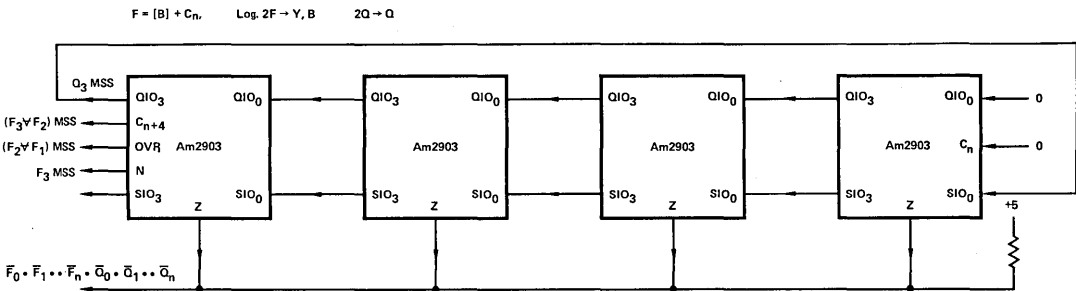


Figure 10. Double Length Normalize.

MPR-044

slice as in single-length normalization. A high-level Z line in double-length normalization reveals that the outputs of the ALU and Q Register are both zero, hence indicating that the double-length word is zero.

When double-length normalization is being performed, shift counting is done either with an extra microcycle or with an external counter.

Sign Magnitude, Two's Complement Conversion

As part of the special instruction set, the Am2903 can convert between two's complement and sign/magnitude representations. Figure 11 illustrates the interconnection needed for sign magnitude/two's complement conversion. The word to be converted is applied to the S input port of the ALU (from the RAM B port or the DB I/O port). The C_n input of device 1 is connected to the Z pin. The sign bit (S_3 MSS) is brought out on the Z line and informs the other ALU's if the conversion is being performed on a negative or positive number. If the number to be converted is the most negative number in two's complement [i.e., $100 \dots 00 (-2^n)$], an overflow indication will occur. This is because -2^n is one greater than any number that can be represented in sign magnitude notation and hence an attempted conversion to sign magnitude from -2^n will cause an overflow. When minus zero in sign magnitude notation ($100 \dots 0$) is converted to two's complement notation, the correct result is obtained ($0 \dots 0$).

Increment by One or Two

Incrementation by One or Two is made possible by the Special Function of the same name. This command is quite useful in the case of byte addressable words. Referencing Figure 12, a word may be incremented by one if C_n is LOW or incremented by two if C_n is HIGH.

Unsigned Multiply

This Special Function allows for easy implementation of unsigned multiplication. Figure 13 is the unsigned multiply flow chart. The algorithm requires that initially the RAM word addressed by Address port B be zero, that the multiplier be in the Q Register, and that the multiplicand be in the register addressed by Address port A. The initial conditions for the execution of the algorithm are that: 1) register R_0 be reset to zero; 2) the multiplicand be in R_1 ; and 3) the multiplier be in R_2 . The first operation transfers the multiplier, R_2 , to the Q Register. The Unsigned Multiply instruction is then executed 16 times. During the Unsigned Multiply instruction, R_0 is addressed by RAM address port B and the multiplicand is addressed by RAM address port A.

When the unsigned Multiply command is given, the Z pin of device 1 becomes an output while the Z pins of the remaining devices are specified as inputs as shown in Figure 15. The Z output of device 1 is the same state as the least significant bit of the multiplier in the Q Register. The Z output of device 1 informs the ALU's of all the slices, via their Z pins, to add the partial product (referenced by the B address port) to the mul-

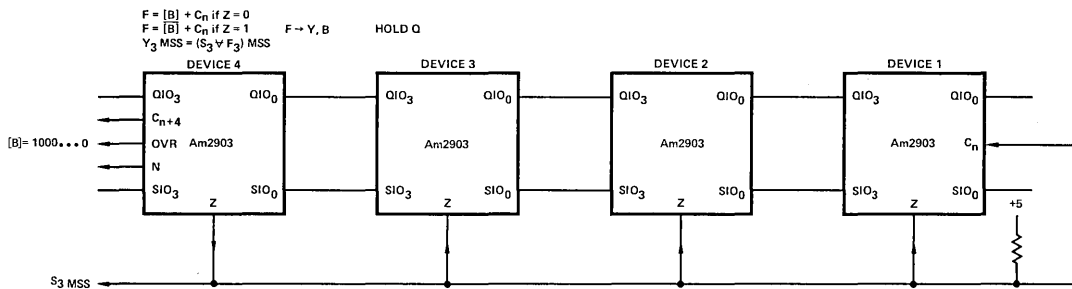


Figure 11. 2's Complement \leftrightarrow Sign/Magnitude.

MPR-045

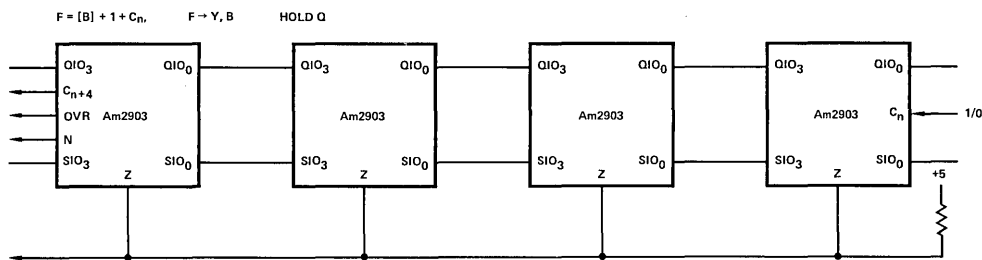
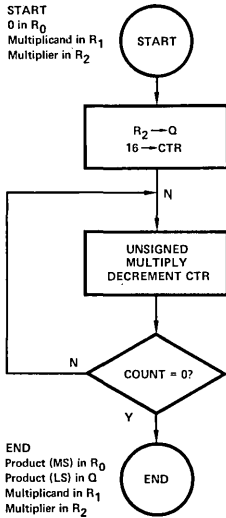


Figure 12. Increment by 2/1.

MPR-046



MPR-047

Figure 13. Unsigned 16 X 16 Multiply Flowchart.

tiplicand (referenced by the A address port) if $Z = 1$. If $Z = 0$, the output of the ALU is simply the partial product (referenced by the B address port). Since C_n is held LOW, it is not a factor in the computation. Each positive-going edge of the clock will internally shift the ALU outputs toward the least significant bit and simultaneously store the shifted results in the register selected by the B address port, thus becoming the new partial sum. During the down shifting process, the C_{n+4} generated in device 4 is internally shifted into the Y_3 position of device 4. At this time, one bit of the multiplier will down shift out of the QIO_0 ports of each device to the QIO_3 port of the next less significant slice. The partial product is shifted down between chips in a like manner, between the SIO_0 and SIO_3 ports, with SIO_0 of device 1 being connected to QIO_3 of device 4 for purposes of constructing a 32-bit long register to hold the 32-bit product. At the finish of the 16 x 16 multiply, the most significant 16 bits of the product will be found in the register referenced by the B address lines while the least significant 16 bits are stored in the Q Register. Using a typical Computer Control Unit (CCU), as shown in Figure 16, the unsigned multiply operation requires only two lines of microcode, as shown in Figure 17, and is executed in 17 microcycles.

Two's Complement Multiplication

The algorithm for two's complement multiplication is illustrated by Figure 14. The initial conditions for two's complement multiplication are the same as for the unsigned multiply operation. The Two's Complement Multiply Command is applied for 15 clock cycles in the case of a 16 x 16 multiply. During the down shifting process the term $N\forall OVR$ generated in device 4 is internally shifted into the Y_3 position of device 4. The data flow shown in Figure 15 is still valid. After 15 cycles, the sign bit of the multiplier is present at the Z output of device 1. At this time, the user must place the Two's Complement Multiply Last cycle command on the instruction lines. The interconnection for this instruction is shown in Figure 18. On the next positive edge of the clock, the Am2903 will adjust the partial product, if the sign of the multiplier is negative, by subtracting out the two's complement representation of the multiplicand. If the sign bit is positive, the partial product is not adjusted. At this point, two's complement multiplication is completed. Using a typical CCU, as shown in Figure 16, the two's complement multiply operation requires only three lines of microcode, as shown in Figure 19, and is executed in 17 microcycles.

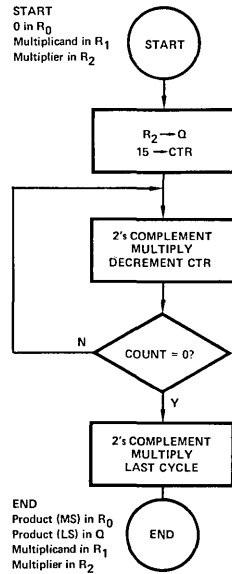
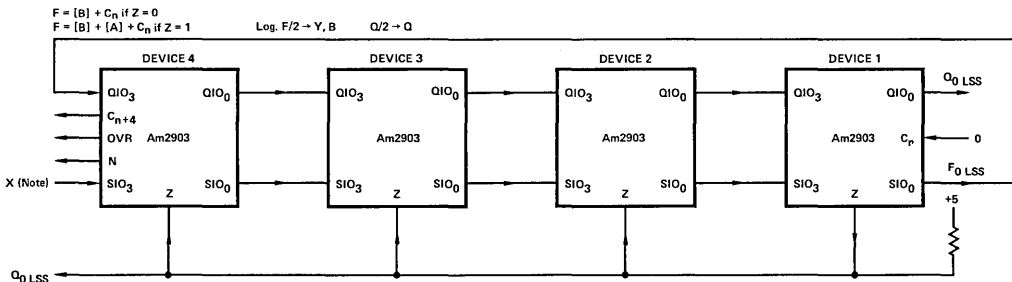


Figure 14. 2's Complement 16 X 16 Multiply.

MPR-048



Note: For unsigned multiply, $C_n + 4$ MSS is internally shifted into position Y_3 MSS; 2's complement multiply $N\forall OVR$ is internally shifted into position Y_3 MSS.

Figure 15. Multiply.

MPR-049

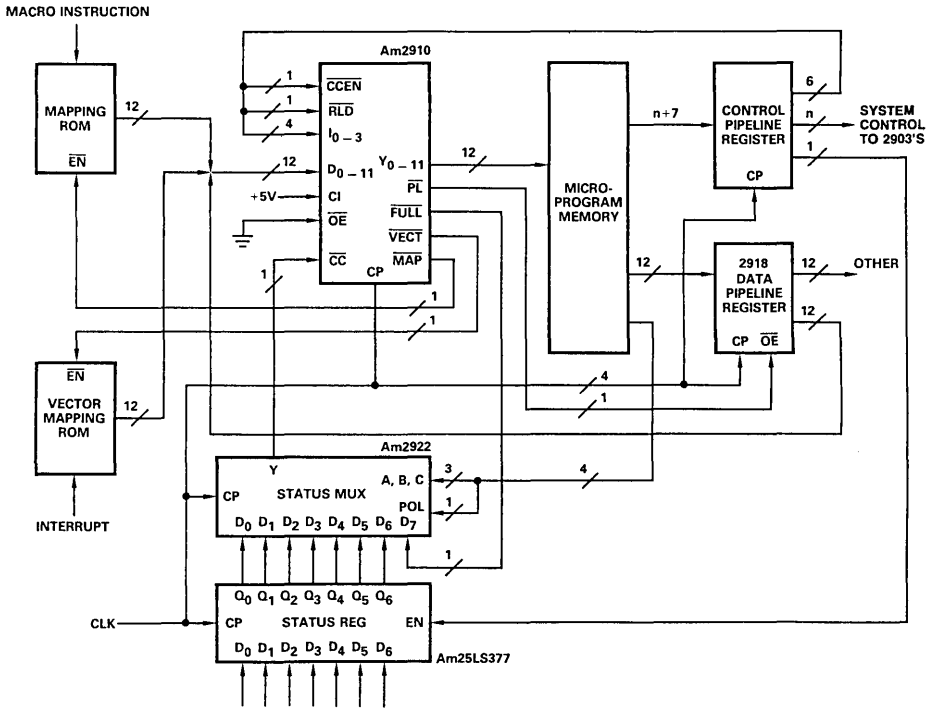
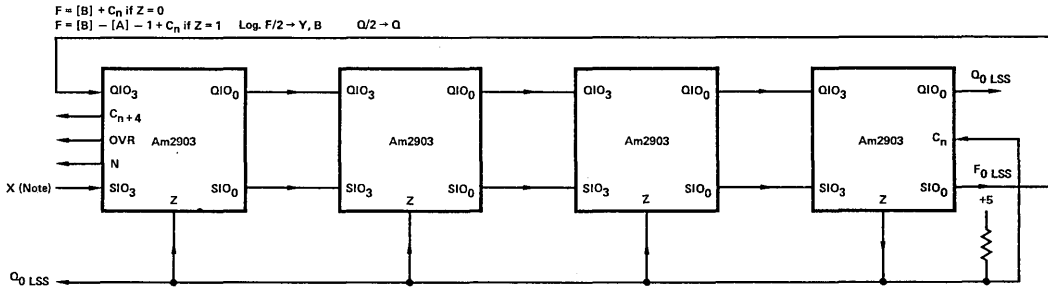


Figure 16. Typical Computer Control Unit (CCU).

MPR-050

| Micro Address | Memory Inst | Data Pipeline Reg. | I_0 | I_4-I_1 | I_8-I_5 | \overline{OEB} | \overline{OEY} | A_3-A_0 | B_3-B_0 | C_n | Comment |
|---------------|-------------|--------------------|-------|-----------|-----------|------------------|------------------|----------------|----------------|-------|-----------------------------------|
| n | LDCT | 00F ₁₆ | X | 6 | 6 | X | X | R ₂ | X | 0 | Load Counter & R ₂ → Q |
| n+1 | RPCT | n+1 | 0 | 0 | 0 | 0 | 0 | R ₁ | R ₀ | 0 | Unsigned Multiply |

Figure 17. Micro Code for Unsigned 16 X 16 Multiply.



Note: N ≠ OVR is internally shifted into position Y₃ MSS.

Figure 18. 2's Complement Multiply, Last Cycle.

MPR-051

| Memory Address | Am2910 Inst | Data Pipeline Reg. | Data | | | | | | | | | | | Comment |
|----------------|-------------|--------------------|----------------|--------------------------------|--------------------------------|-----|-----|--------------------------------|--------------------------------|----------------|---|---|--------------------------------------|-----------------------------------|
| | | | I ₀ | I ₄ -I ₁ | I ₆ -I ₅ | OEB | OEB | A ₃ -A ₀ | B ₃ -B ₀ | C _n | | | | |
| n | LDCT | 00E ₁₆ | X | 6 | 6 | X | X | R ₂ | X | 0 | 0 | 0 | 0 | Load Counter & R ₂ → Q |
| n+1 | RPCT | n+1 | 0 | 0 | 2 | 0 | 0 | R ₁ | R ₀ | 0 | 0 | 0 | 2's Complement Multiply | |
| n+2 | X | X | 0 | 0 | 6 | 0 | 0 | R ₁ | R ₀ | Z | | | 2's Complement Multiply (Last Cycle) | |

Figure 19. Microcode for 2's Complement 16 x 16 Multiply.

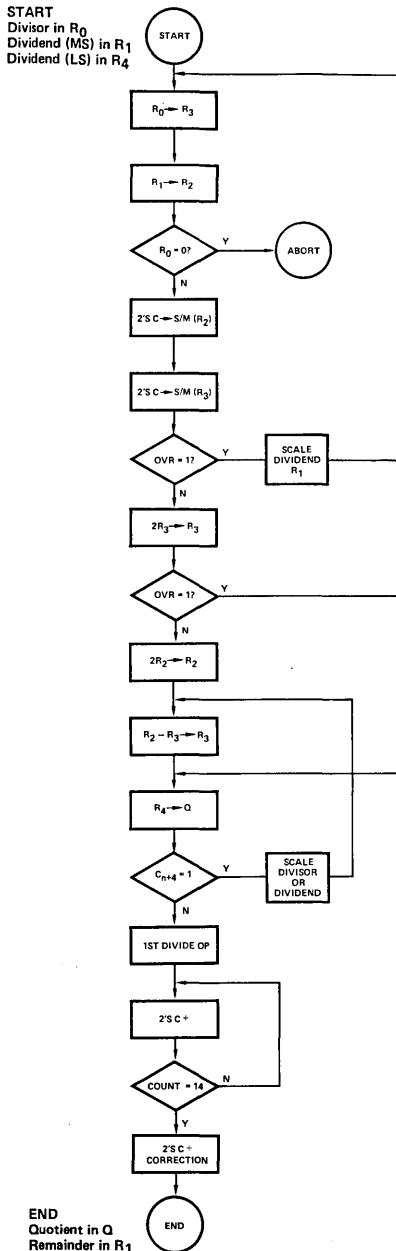


Figure 20. Division Flow Chart – Double Precision Divide.

TWO'S COMPLEMENT DIVISION

The division process is accomplished using a four quadrant non-restoring algorithm which yields an algebraically correct answer such that the divisor times the quotient plus the remainder equals the dividend. The algorithm works for both single precision and multi-precision divide operations. The only condition that needs to be met is that the absolute magnitude of the divisor be greater than the absolute magnitude of the dividend. For multi-precision divide operations the least significant bit of the dividend is truncated. This is necessary if the answer is to be algebraically correct. Bias correction is automatically provided by forcing the least significant bit of the quotient to a one, yet an algebraically correct answer is still maintained. Once the algorithm is completed, the answer may be modified to meet the user's format requirements, such as rounding off or converting the remainder so that its sign is the same as the dividend. These format modifications are accomplished using the standard Am2903 instructions.

The true value of the remainder is equal to the value stored in the working register times 2^{n-1} when n is the number of quotient digits.

The following paragraphs describe a double precision divide operation. The double precision flow chart is based upon the use of the architecture detailed in Figure 16.

Referring to the flow chart outlined in Figure 20, we begin the algorithm with the assumption that the divisor is contained in R₀, while the most significant and least significant halves of the dividend reside in R₁ and R₄ respectively. The first step is to duplicate the divisor by copying the contents of R₀ into R₃. Next the most significant half of the dividend is copied by transferring the contents of R₁ into R₂ while simultaneously checking to ascertain if the divisor (R₀) is zero. If the divisor is zero then division is aborted. If the divisor is not zero, the copy of the most significant half of the dividend in R₂ is converted from its two's complement to its sign magnitude representation. The divisor in R₃ is converted in like manner in the next step, while testing to see if the results of the dividend conversion yielded an indication on the overflow pin of the Am2903. If the output of the overflow pin is a 'one' then the dividend is -2^n and hence is the largest possible number, meaning that it cannot be less than the divisor. What must be done in this case is to scale the dividend by down shifting the upper and lower halves stored in R₁ and R₄ respectively. After scaling, the routine requires that the algorithm be reinitiated at the beginning.

Conversely, if the output of the overflow pin is not a one, the sign magnitude representation of the divisor (R₃) is shifted up in the Am2903, removing the sign while at the same time testing the results of two's complement to sign magnitude conversion of the divisor in the Am2910. If the results of the test indicate that the divisor is -2^n i.e., overflow equals one, then the lower half of the dividend is placed in the Q register

$$F = [B] + C_n, \quad \text{Log. } 2F \rightarrow Y, B \quad 2Q \rightarrow Q$$

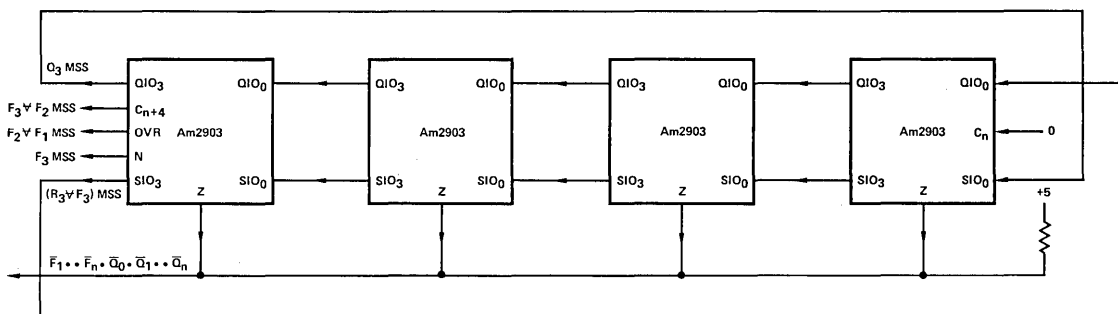


Figure 21. Double Length Normalize/First Divide Operation.

MPR-053

$$F = [B] + [A] + C_n \text{ if } Z = 0$$

$$F = [B] - [A] - 1 + C_n \text{ if } Z = 1 \quad \text{Log. } 2F \rightarrow Y, B \quad 2Q \rightarrow Q$$

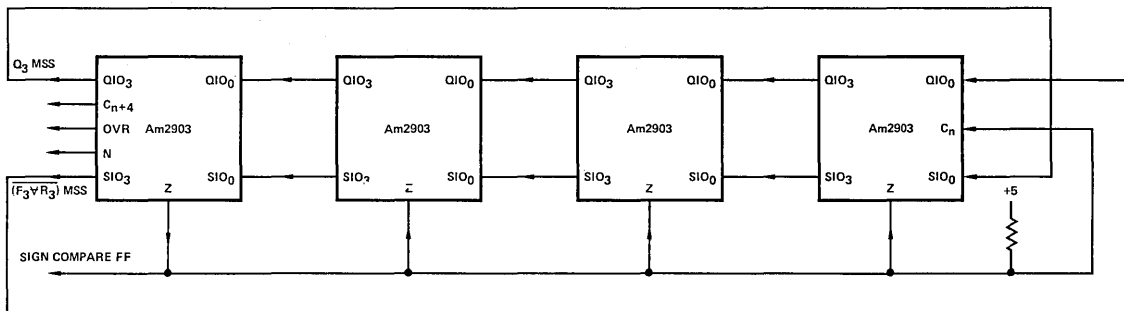


Figure 22. 2's Complement Divide.

MPR-054

$$F = [B] + [A] + C_n \text{ if } Z = 0$$

$$F = [B] - [A] - 1 + C_n \text{ if } Z = 1 \quad F \rightarrow Y, B \quad 2Q \rightarrow Q$$

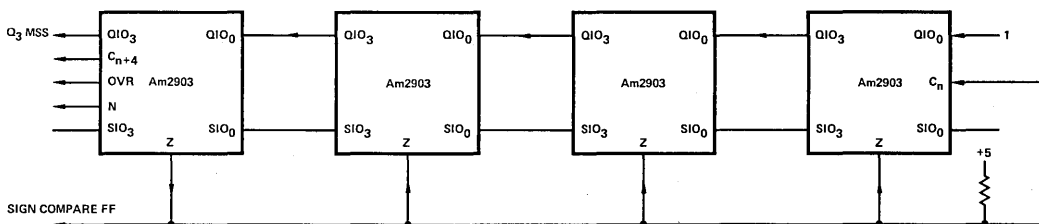


Figure 23. 2's Complement Divide Correction.

MPR-055

and division may proceed. This is possible because the divisor is now guaranteed to be greater than the dividend. If overflow is not a one then we must proceed by shifting out the sign of the sign magnitude representation of the dividend stored in R₂. At this point we are able to check if the divisor is greater than the dividend by subtracting the absolute value of the divisor (R₃) from the absolute value of the upper half of the dividend (R₂) and storing the results in R₃. Next, the least

significant half of the dividend is transferred from R₄ to the Q register while simultaneously testing the carry from the result of the divisor/dividend subtraction. If the carry (C_{n+4}) is one, indicating the divisor is not greater than the dividend then a scaling operation must occur. This involves either shifting up the divisor or shifting down the dividend. If the carry is not one then the divisor is greater than the dividend and division may now begin.

| Micro Memory Address | Am2910 Inst. | Data Pipeline Reg. | Am2903 | | | | | | | Am2922 | | | Comment |
|----------------------------|-----------------|---------------------------------|--------|-----------|-----------|------------|-----------|-----------|-------|-----------|-----|---|--|
| | | | I_0 | I_4-I_1 | I_8-I_5 | $E\bar{A}$ | A_3-A_0 | B_3-B_0 | C_n | SEL | POL | | |
| n | CONT | X | 0 | 6 | 4 | 0 | R_0 | R_3 | 0 | X | X | 0 | $R_0 \rightarrow R_3$ |
| n+1 | CJP | Abort | 0 | 6 | 4 | 0 | R_1 | R_2 | 0 | Z | 1 | X | $R_1 \rightarrow R_2$, if $R_0 = 0$ Abort |
| n+2 | CONT | X | 0 | 0 | 5 | X | X | R_2 | 0 | X | X | 0 | 2's C to S/M (R_2) |
| n+3 | CJP | Scale Dividend | 0 | 0 | 5 | X | X | R_3 | 0 | OVR | 1 | 0 | 2's C to S/M (R_3), if OVR ≥ 1 , scale |
| n+4 | CJP | n+7 | 0 | 4 | 9 | X | X | R_2 | 0 | OVR | 1 | X | Shift out sign of divisor |
| n+5 | CONT | X | 0 | 4 | 9 | X | X | R_3 | 0 | X | X | X | Shift out sign of divisor |
| n+6 | CONT | X | 0 | 2 | F | 0 | R_2 | R_3 | 1 | X | X | 0 | Dividend - Divisor $\rightarrow R_3$ |
| n+7 | CJP | Scale Dividend or Divisor | 0 | 6 | 6 | 0 | R_4 | X | 0 | C_{n+4} | 0 | X | $R_4 \rightarrow Q$, if Carry = 1, scale |
| n+8 | PUSH | 00D ₁₆ | 0 | 0 | A | 0 | R_0 | R_1 | 0 | 0 | 1 | X | Loop set up & First Divide Operation |
| n+9 | RFCT | X | 0 | 0 | C | 0 | R_0 | R_1 | Z | X | X | X | Test Loop Count & 2's C Divide |
| n+A | CONT | X | 0 | 0 | E | 0 | R_0 | R_1 | Z | X | X | X | 2's C Divide Correction |

Figure 24. Microcode for Double Precision Divide.

The first divide operation is used to ascertain the sign bit of the quotient. The two's complement divide instruction is then executed repetitively, fourteen times in the case of a sixteen bit divisor and a thirty-two bit dividend. The final step is the two's complement correction command which adjusts the quotient by allowing the least significant bit of the quotient to be set to one. At the end of the division algorithm the sixteen bit quotient is found in the Q register while the remainder now replaces the most significant half of the dividend in R_1 . It should be noted that the remainder must be shifted down fifteen places to represent its true value. The interconnections for these instructions are shown in Figures 21, 22, 23. Using a typical CCU as shown in Figure 16, the double precision divide operation requires only eleven lines of microcode, as shown in Figure 24.

For those applications that require truncation instead of bias correction, the same algorithm as above should be implemented except one additional Two's Complement Divide instruction should be used in lieu of the Two's Complement Divide Correction and Remainder instruction. However, this technique results in an invalid remainder.

It is possible to do multiple-precision divide operations beyond the double precision divide shown above. For example, to do a triple precision divide for a 16-bit CPU, the upper two thirds of the dividend are stored in R_1 and Q as in the case for double precision divide. The lower third of the dividend is stored in a scratch register, R_5 . After checking that the magnitude of the divisor is greater than the magnitude of the dividend, using the same tests as defined in Figure 20, the procedure is as follows:

1. Execute a Double Length Normalize/First Divide Operation instruction.
2. Execute the Two's Complement Divide instruction fifteen times.
3. Transfer the contents of Q, the most significant half of the quotient, to R_2 .
4. Transfer R_5 to Q.
5. Execute the Two's Complement Divide instruction fifteen times.
6. Execute the Two's Complement Divide Correction and Remainder instruction.

The upper half of the quotient is then in R_2 , the lower half of the quotient is in Q and the remainder is in R_1 . The flow chart for this is shown in Figure 25. This technique can be expanded for any precision which is required.

Byte Swap

The multi-port architecture of the Am2903 allows for easy implementation of high- and low-order byte swapping. Figure 26 outlines a byte swap implementation utilizing two data ports. Initially, the lower order 8-bit byte is stored in devices 1 and 2, while the high-order byte is in devices 3 and 4. When the user wishes to exchange the two bytes, the register location of the desired word is placed on the B address port. When the byte swap line is brought LOW, the bytes to be swapped will be flowing from the DB ports of the Am2903 through the Am25LS240/244 Three-state Buffers. The outputs of the

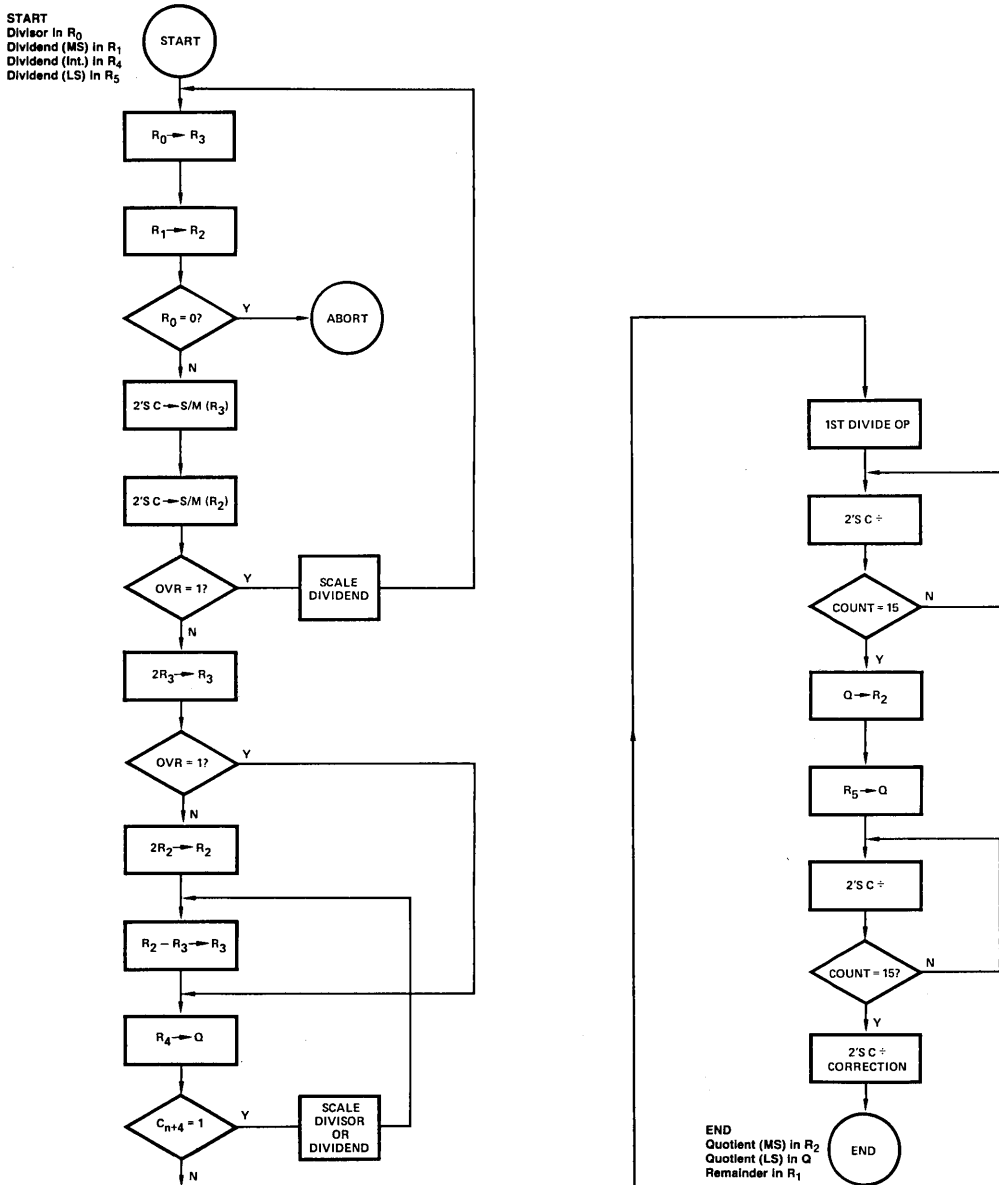


Figure 25. Division Flow Chart – Triple Precision Divide.

MPR-056

three-state buffers are permuted such that the byte swap is achieved. The resultant permuted data is presented to the DA ports of the Am2903 where it is re-loaded into the memories of the Am2903 on the next positive edge of CP using the source and function commands of $F = \bar{A}$ plus C_n ($C_n = 0$) for the Am25LS240 or $F = A$ plus C_n ($C_n = 0$) for the Am25LS244 and the destination command $F \rightarrow Y, B$.

A higher speed technique for achieving the byte swap operation is illustrated in Figure 27. Instead of inputting the permuted data via the DA ports, the permuted data is inputted via the Y input/output ports with OE_Y held HIGH. This technique bypasses the ALU, thus allowing faster operation. The Am2903 destination command $F \rightarrow Y, B$ should be used.

Memory Expansion

The Am2903 allows for a theoretically infinite memory expansion. Figure 28 pictures a 4-bit slice of a system which has 48 words of RAM and 16 words of ROM. RAM storage is provided by the Am2903 and the Am29705's. The Am29705 RAM is functionally identical to the Am2903 RAM. The Am29751A is used to store constants and masks and is addressable from address port A only. The system is organized around five data buses. Inter-bus communication may be done through the Am29705's or the

Am2903. The memory addressing scheme specifies the data source for the R input of the ALU emanating from the register locations specified by address field A. A_{0-3} addresses 16 memory locations in each chip while address bits A_{4-6} are decoded and used for the output enable for the desired chip. The B address field is used to select the S input of the ALU and the C field is used to specify the register location where the result of the ALU operation is to be stored.

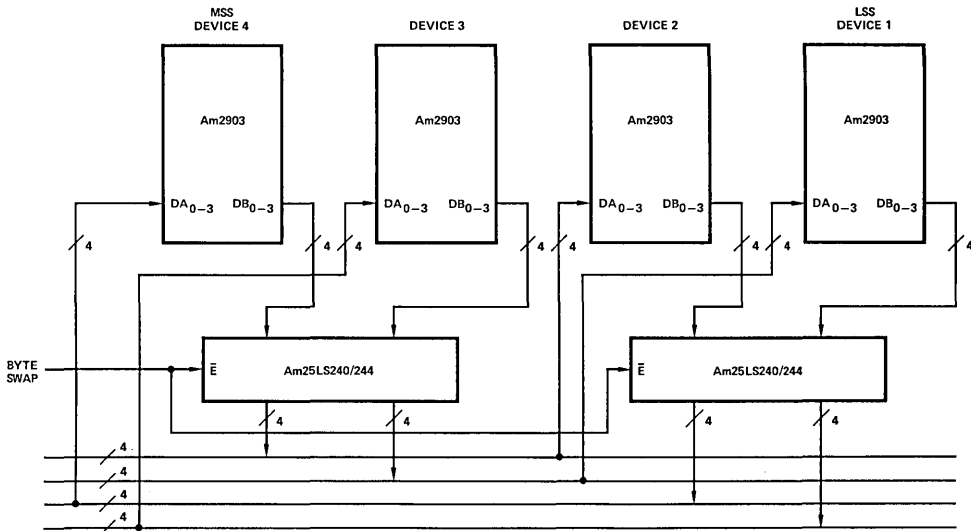


Figure 26. Byte Swap.

MPR-057

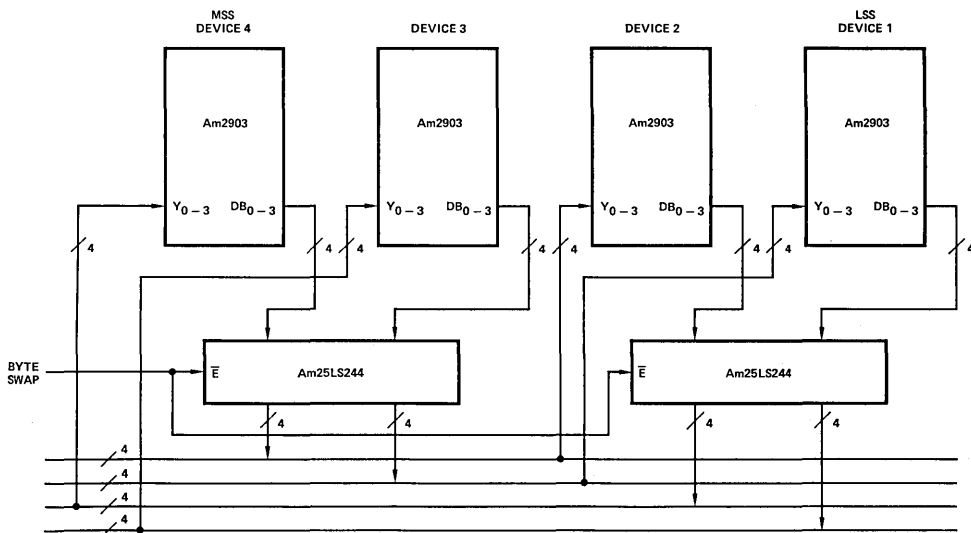


Figure 27. High Speed Byte Swap.

MPR-058

Bits B_{0-3} are for source register addressing in each chip. Bits B_4 and B_5 are used for chip output enable selection. C_{0-3} access the 16 destination addresses on each chip while bits C_4 and C_5 control the Write Enable of the desired chip. The source and destination register address are multiplexed such that when the clock is HIGH, the source register address is presented to the B address ports of the RAM's. The Instruction Enable (\overline{IEN}) is HIGH at this time. The data flows from the Y port or the internal B port as selected by the decoder whose inputs are B_4 and B_5 . When the clock goes LOW, the data emanating from the selected Y outputs of the Am29705's and the RAM outputs of the Am2903 are

latched and the destination address is now selected for use by the RAM address lines. When the destination address stabilizes on the address lines, the \overline{IEN} pin is brought LOW. The \overline{WRITE} output of the Am2903 will now go LOW, enabling the decoder sourced by address bits C_4 and C_5 . The selected decoder line will go LOW, allowing the desired memory location to be written into. To switch between two- and three-address architecture, the user simply makes the source and destination addresses the same; i.e., $B_{0-3} = C_{0-3}$ and $B_{4-5} = C_{4-5}$. For two-address architecture, the MUX is removed from the circuit.

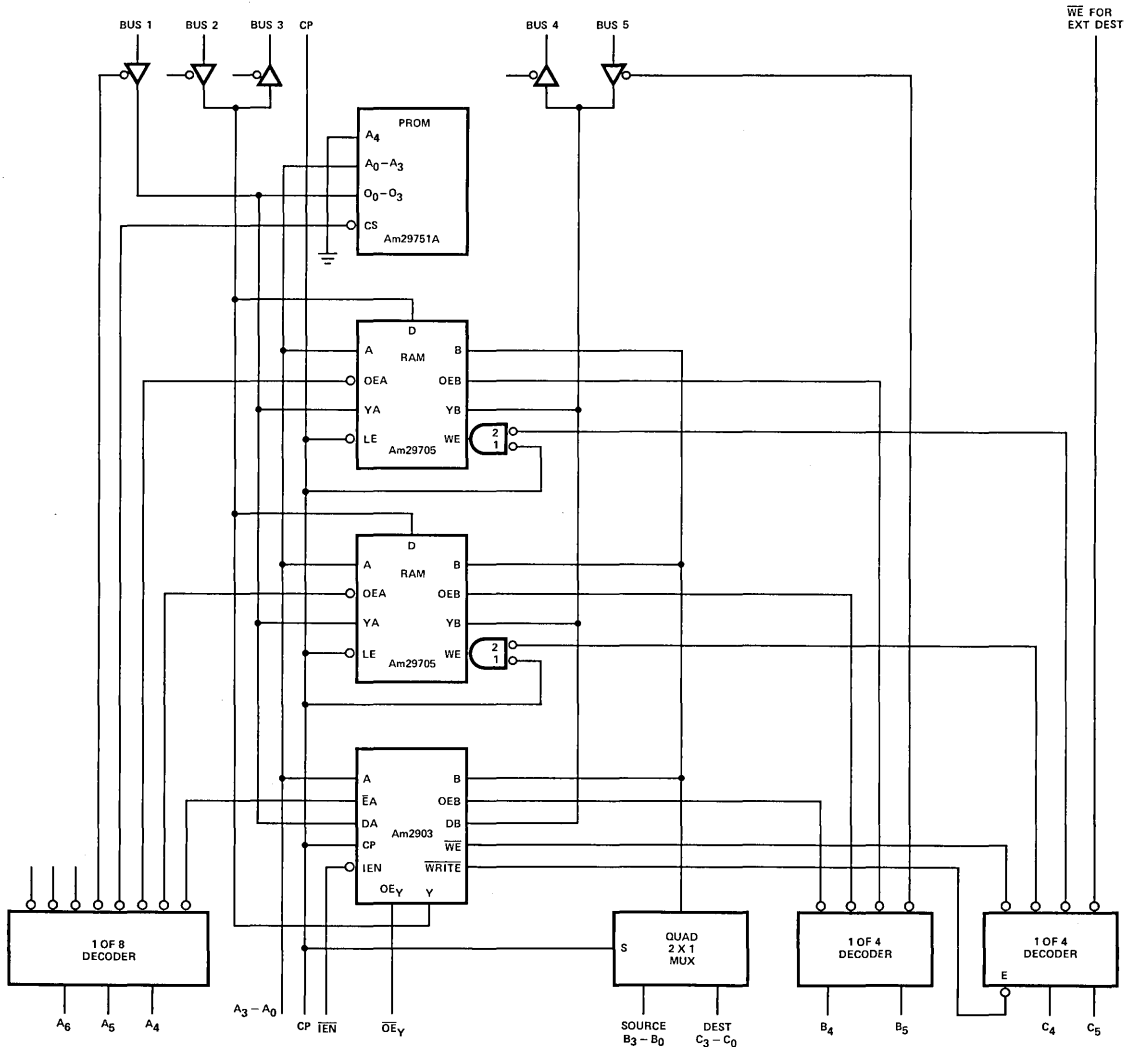


Figure 28. Expanded Memory.

Am2904

Status and Shift Control Unit

ADVANCE INFORMATION

DISTINCTIVE CHARACTERISTICS

- **Replaces most MSI used around any ALU** including the Am2901A, Am2903 and MSI ALUs.
- **Generates Carry-In to the ALU**
Carry signal is selectable from 7 different sources.
- **Contains shift linkage multiplexers**
Connects to shift lines at the ends of a Am2901A or Am2903 array to implement single and double length arithmetic and logical shifts and rotates – 32 different modes in all.
- **Contains two edge-triggered status registers**
Use for foreground/background registers or as microlevel and machine level status registers. Bit manipulating instructions are provided.
- **Condition Code Multiplexer on chip**
Single cycle tests for any of 16 different conditions. Tests can be performed on either of the two status registers or directly on the ALU output.

DESCRIPTION

The Am2904 is designed to perform all the miscellaneous functions which are usually performed in MSI around an ALU. These include the generation of the carry-in signal to the ALU and carry lookahead unit; the interconnection of the data path, auxiliary register, and carry flip-flop during shift operations; and the storage and testing of ALU status flags. These tasks are accomplished in the Am2904 by three nearly independent blocks of logic. The carry-in is generated by a multiplexer. The shift linkages are established by four three-state multiplexers. There are two registers for storing the carry, overflow, zero, and negative status flags. The condition code multiplexer on the Am2904 can look at true or complement of any of the four status bits and certain combinations of status bits from either of the storage registers or directly from the ALU.

ORDERING INFORMATION

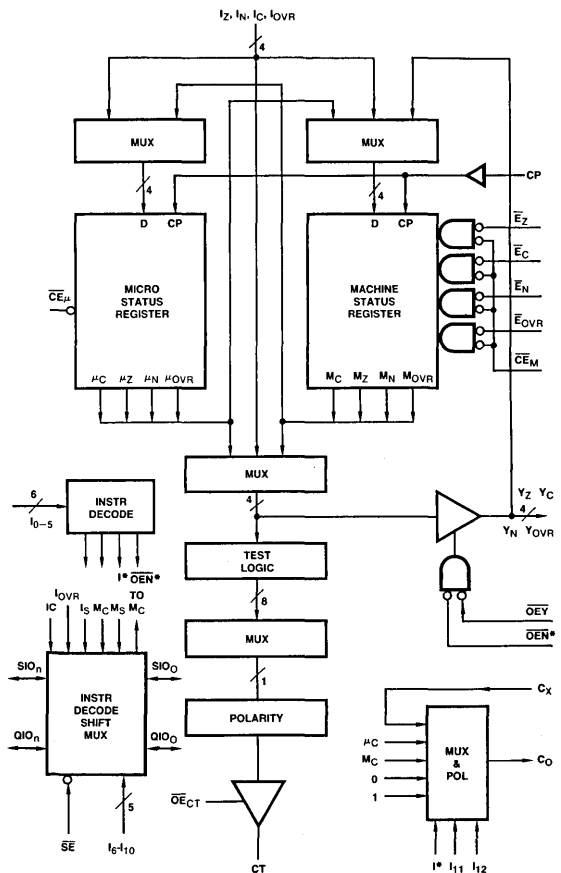
Order the part number according to the table below to obtain the desired package, temperature range, and screening level.

| Order Number | Package Type (Note 1) | Temperature Range (Note 2) | Screening Level (Note 3) |
|--------------|-----------------------|----------------------------|--|
| AM2904PC | P-40 | C | C-1 |
| AM2904DC | D-40 | C | C-1 |
| AM2904DC-B | D-40 | C | B-1 |
| AM2904DM | D-40 | M | C-3 |
| AM2904DM-B | D-40 | M | B-3 |
| AM2904FM | F-42 | M | C-3 |
| AM2904FM-B | F-42 | M | B-3 |
| AM2904XC | Dice | C | Visual inspection to MIL-STD-883 Method 2010B. |
| AM2904XM | Dice | M | |

Notes:

1. P = Molded DIP, D = Hermetic DIP, F = Flat Pak. Number following letter is number of leads. See Appendix B for detailed outline. Where Appendix B contains several dash numbers, any of the variations of the package may be used unless otherwise specified.
2. C = 0°C to +70°C, M = -55°C to +125°C.
3. See Appendix A for details of screening. Levels C-1 and C-3 conform to MIL-STD-883, Class C. Level B-3 conforms to MIL-STD-883, Class B.

BLOCK DIAGRAM



*INTERNAL

MPR-060

PRODUCT DESCRIPTION

The Am2904 Status and Shift Control Unit provides four functions which are included in all processors. These are: a) Status Register, b) Condition Code Multiplexer, c) Shift Linkages and d) Carry-in Control.

STATUS REGISTER

The Am2904 contains two four-bit registers which can store the status outputs of an ALU: Carry (C), Negative (N), Zero (Z), and Overflow (OVR). They are designated Micro Status Register (μ SR) and Machine Status Register (MSR). Each register can be independently controlled.

The μ SR can be loaded from the four status inputs (I_C, I_N, I_Z, I_{OVR}) or from the MSR under instruction control (I_{0-5}). The bits in the μ SR can also be individually set or reset under instruction control (I_{0-5}). When the \overline{CE}_μ input is HIGH, the μ SR is inhibited from changing, independent of the I_{0-5} inputs.

The MSR can be loaded from the four status inputs (I_C, I_N, I_Z, I_{OVR}), from the μ SR and from the four parallel input/output pins (Y_C, Y_N, Y_Z, Y_{OVR}) under instruction control (I_{0-5}). The bits in the MSR can also be individually set, reset or complemented under instruction control (I_{0-5}). The bits in the MSR can be selectively updated by controlling the four bit-enable inputs ($\overline{E}_Z, \overline{E}_N, \overline{E}_C, \overline{E}_{OVR}$) and the \overline{CE}_M input. A LOW on both the \overline{CE}_M input and the bit enable input for a specific bit enables updating that bit. A HIGH on a given bit enable input disables the corresponding bit in the MSR.

The four parallel bidirectional input/output pins (Y_Z, Y_N, Y_C, Y_{OVR}) allow the contents of both the μ SR and the MSR to be transferred to the system data bus and also allow both registers to be loaded from the system data bus. This capability is used to save and restore registers during microlevel sub-routines and when servicing interrupts.

CONDITION CODE MULTIPLEXER

The Condition Code Multiplexer output, CT, can be selected from 16 different functions which test for arithmetic comparisons such as "greater than", "greater than or equal to", "less than" and "less than or equal to", for both unsigned numbers and two's complement numbers. The Am2904 has the ability to perform these tests on the contents of the μ SR, the MSR or the direct status inputs, (I_Z, I_N, I_C, I_{OVR}). The CT output is used as the test (\overline{CC}) input of the Am2910.

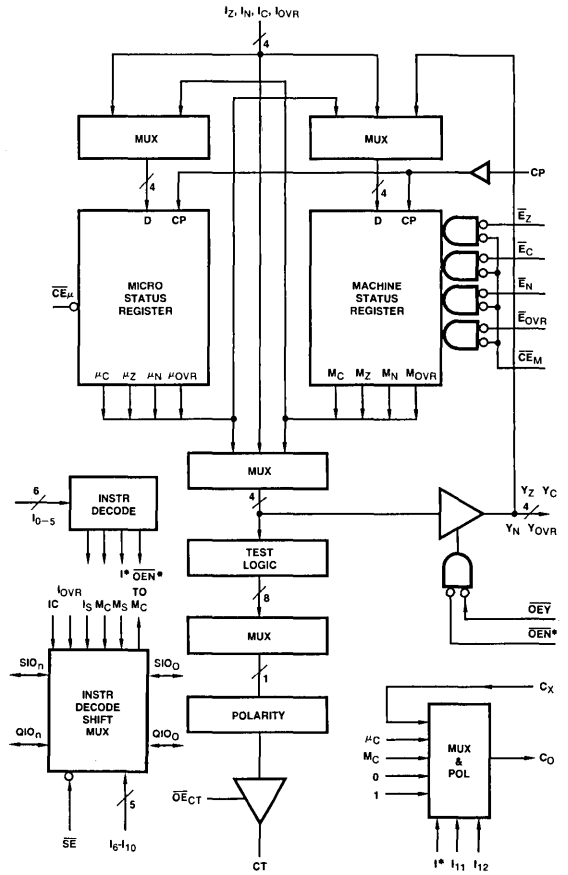
SHIFT LINKAGE MULTIPLEXER

The Shift Linkage Multiplexer generates the necessary outputs to perform 32 different shift and rotate functions. Both single length and double length shifts and rotates are provided. Shifts and rotates both with and without carry (M_C) are provided. When the \overline{SE} input is High, the four input/output pins ($SIO_0, SIO_n, QIO_0, QIO_n$) are disabled. The SIO_0, SIO_n, QIO_0 and QIO_n pins of the Am2904 are intended to be directly connected to the $RAM_0, RAM_3, Q_0,$ and Q_3 pins of the Am2901A or the SIO_0, SIO_3, QIO_0 and QIO_3 pins of the Am2903.

CARRY-IN CONTROL MULTIPLEXER

The Carry-in Control Multiplexer generates the C_0 output which can be selected from 7 functions (0, 1, $C_X, \mu C, M_C, \overline{\mu C}, \overline{M_C}$). These functions allow easy implementation of both single length and double length subtraction with either carry or borrow and single length and double length addition. The C_X input is intended to be connected to the Z output of the Am2903 to facilitate execution of some of the Am2903 special instructions. The C_0 pin is to be connected to the C_n pin of the least significant Am2901A or Am2903 and the C_n pin of the Am2902.

BLOCK DIAGRAM



* INTERNAL

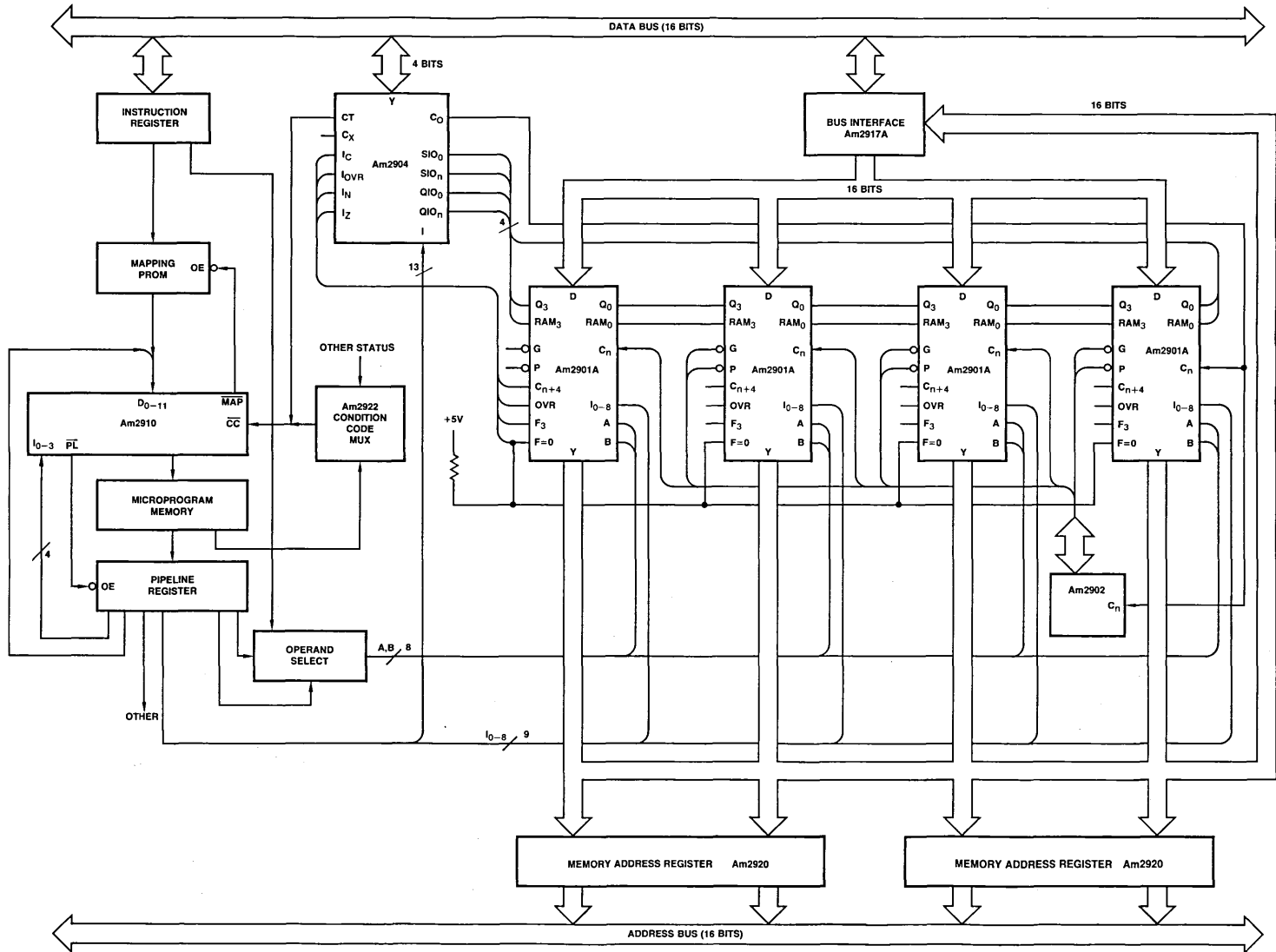


Figure 1. Typical Application of Am2904 with Am2901A.

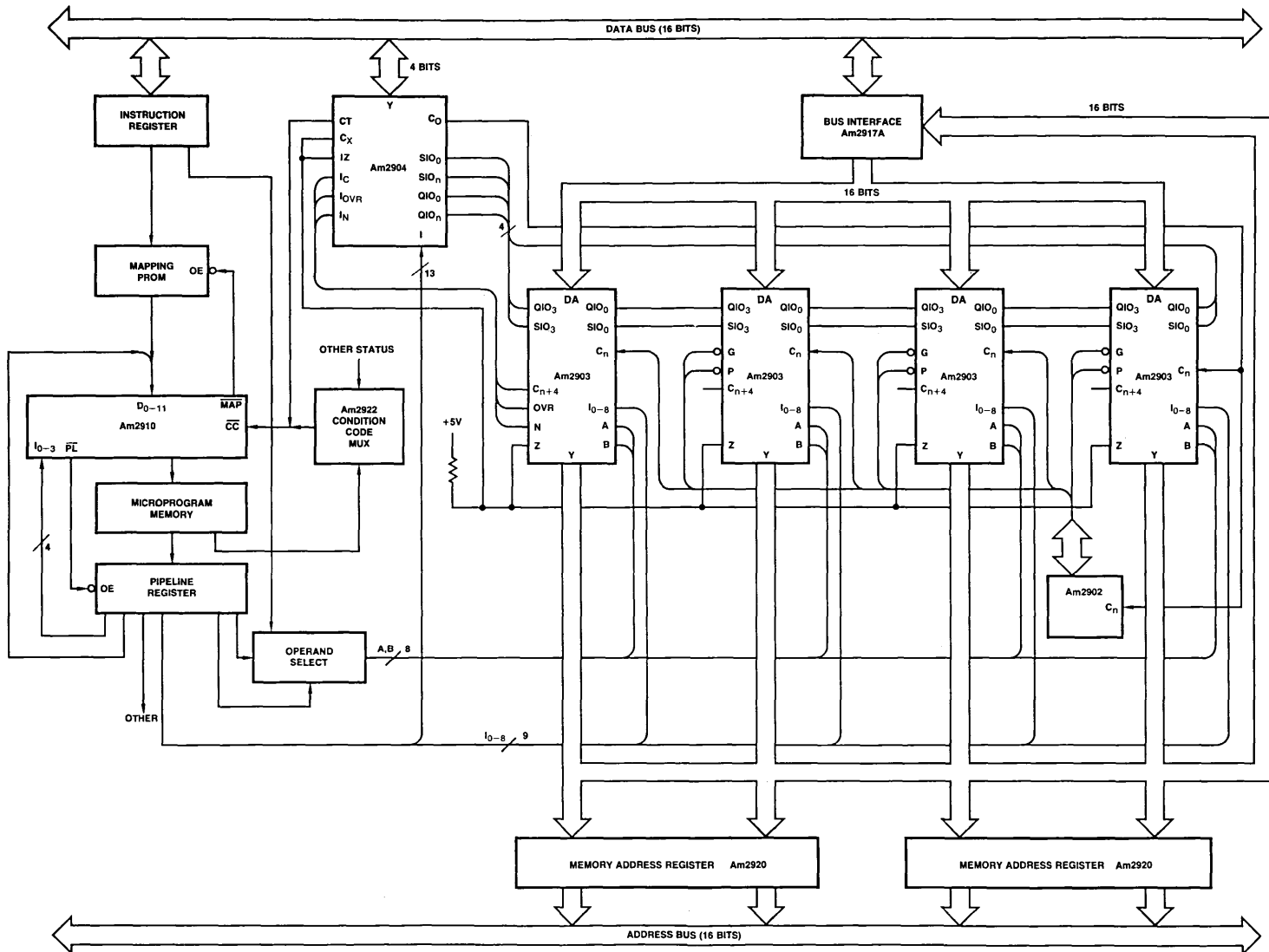


Figure 2. Typical Application of Am2904 with Am2903.

Am2905

Quad Two-Input OC Bus Transceiver With Three-State Receiver

Distinctive Characteristics

- Quad high-speed LSI bus-transceiver
- Open-collector bus driver
- Two-port input to D-type register on driver
- Bus driver output can sink 100 mA at 0.8V max.

- Receiver has output latch for pipeline operation
- Three-state receiver outputs sink 12 mA
- Advanced low-power Schottky processing
- 100% reliability assurance testing in compliance with MIL-STD-883

FUNCTIONAL DESCRIPTION

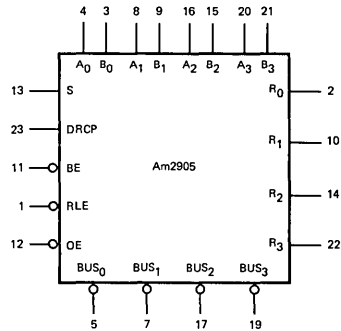
The Am2905 is a high-performance, low-power Schottky bus transceiver intended for bipolar or MOS microprocessor system applications. The device consists of four D-type edge-triggered flip-flops with a built-in two-input multiplexer on each. The flip-flop outputs are connected to four open-collector bus drivers. Each bus driver is internally connected to one input of a differential amplifier in the receiver. The four receiver differential amplifier outputs drive four D-type latches that feature three-state outputs.

This LSI bus transceiver is fabricated using advanced low-power Schottky processing. All inputs (except the BUS inputs) are one LS unit load. The open-collector bus output can sink up to 100 mA at 0.8V maximum. The BUS input differential amplifier contains disconnect protection diodes such that the bus is fail-safe when power is not applied. The bus enable input (\overline{BE}) is used to force the driver outputs to the high-impedance state. When \overline{BE} is HIGH, the driver is disabled. The open-collector structure of the driver allows wired-OR operations to be performed on the bus.

The input register consists of four D-type flip-flops with a buffered common clock and a two-input multiplexer at the input of each flip-flop. A common select input (S) controls the four multiplexers. When S is LOW, the A_i data is stored in the register and when S is HIGH, the B_i data is stored. The buffered common clock (DRCP) enters the data into this driver register on the LOW-to-HIGH transition.

Data from the A or B inputs is inverted at the BUS output. Likewise, data at the BUS input is inverted at the receiver output. Thus, data is non-inverted from driver input to receiver output. The four receivers each feature a built-in D-type latch that is controlled from the buffered receiver latch enable (\overline{RLE}) input. When the \overline{RLE} input is LOW, the latch is open and the receiver outputs will follow the bus inputs (BUS data inverted and \overline{OE} LOW). When the \overline{RLE} input is HIGH, the latch will close and retain the present data regardless of the bus input. The four latches have three-state outputs and are controlled by a buffered common three-state control (\overline{OE}) input. When \overline{OE} is HIGH, the receiver outputs are in the high-impedance state.

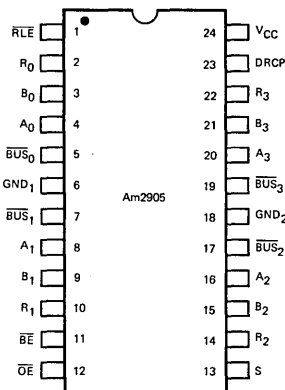
LOGIC SYMBOL



V_{CC} = Pin 24
 GND_1 = Pin 6
 GND_2 = Pin 18

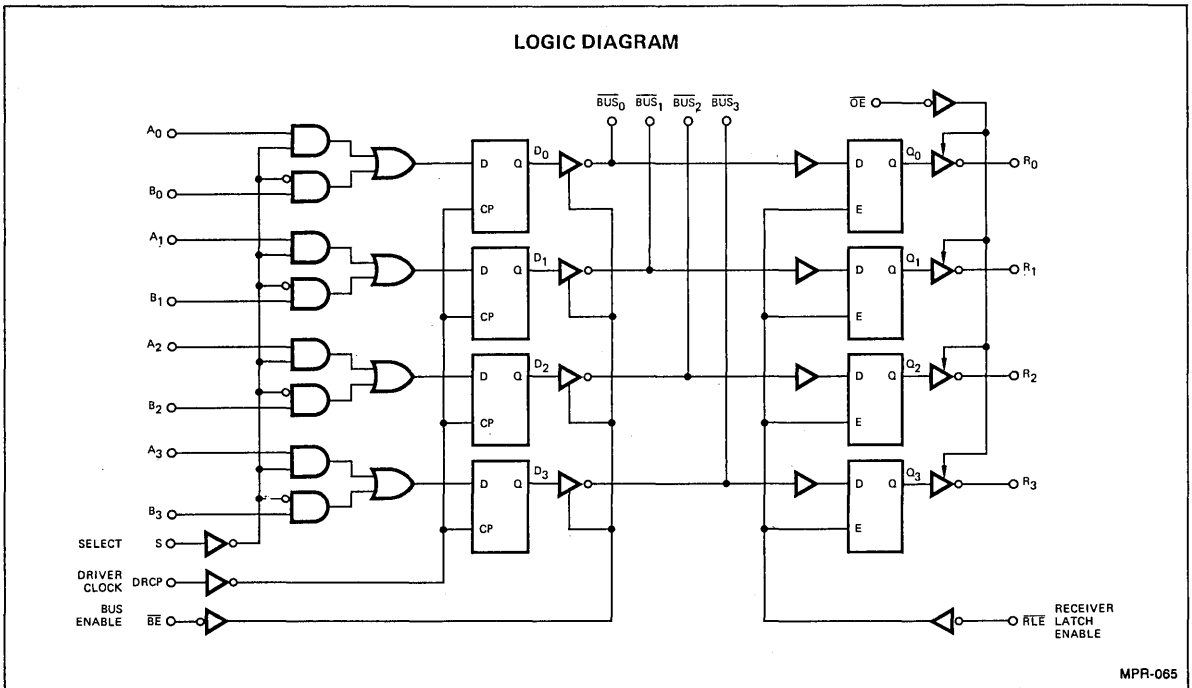
MPR-063

CONNECTION DIAGRAM Top View



Note: Pin 1 is marked for orientation.

MPR-064



MPR-065

MAXIMUM RATINGS (Above which the useful life may be impaired)

| | |
|---|--------------------------------|
| Storage Temperature | -65°C to +150°C |
| Temperature (Ambient) Under Bias | -55°C to +125°C |
| Supply Voltage to Ground Potential | -0.5V to +7V |
| DC Voltage Applied to Outputs for HIGH Output State | -0.5V to +V _{CC} max. |
| DC Input Voltage | -0.5V to +5.5V |
| DC Output Current, Into Outputs (Except Bus) | 30mA |
| DC Output Current, Into Bus | 200mA |
| DC Input Current | -30mA to +5.0mA |

ELECTRICAL CHARACTERISTICS

The following conditions apply unless otherwise noted:

Am2905XC (COM'L) T_A = 0°C to +70°C V_{CC} MIN. = 4.75V V_{CC} MAX. = 5.25V
 Am2905XM (MIL) T_A = -55°C to +125°C V_{CC} MIN. = 4.50V V_{CC} MAX. = 5.50V

BUS INPUT/OUTPUT CHARACTERISTICS OVER OPERATING TEMPERATURE RANGE

| Parameters | Description | Test Conditions (Note 1) | Min. | Typ. (Note 2) | Max. | Units |
|------------------|---------------------------------|--------------------------|-------------------------|---------------|------|-------|
| V _{OL} | Bus Output LOW Voltage | V _{CC} = MIN. | I _{OL} = 40mA | 0.32 | 0.5 | Volts |
| | | | I _{OL} = 70mA | 0.41 | 0.7 | |
| | | | I _{OL} = 100mA | 0.55 | 0.8 | |
| I _O | Bus Leakage Current | V _{CC} = MAX. | V _O = 0.4V | | -50 | μA |
| | | | V _O = 4.5V | MIL | | |
| | | | | | 100 | |
| I _{OFF} | Bus Leakage Current (Power OFF) | V _O = 4.5V | | | 100 | μA |
| V _{TH} | Receiver Input HIGH Threshold | Bus enable = 2.4V | MIL | 2.4 | 2.0 | Volts |
| | | | COM'L | 2.3 | 2.0 | |
| V _{TL} | Receiver Input LOW Threshold | Bus enable = 2.4V | MIL | | 2.0 | Volts |
| | | | COM'L | | 2.0 | |
| | | | | | 1.6 | |

Am2905

ELECTRICAL CHARACTERISTICS

The following conditions apply unless otherwise noted:

Am2905XC (COM'L) $T_A = 0^\circ\text{C}$ to $+70^\circ\text{C}$ $V_{CC\text{MIN.}} = 4.75\text{V}$ $V_{CC\text{MAX.}} = 5.25\text{V}$
 Am2905XM (MIL) $T_A = -55^\circ\text{C}$ to $+125^\circ\text{C}$ $V_{CC\text{MIN.}} = 4.50\text{V}$ $V_{CC\text{MAX.}} = 5.50\text{V}$

DC CHARACTERISTICS OVER OPERATING TEMPERATURE RANGE

| Parameters | Description | Test Conditions (Note 1) | Typ. (Note 2) | | | Units | |
|------------|---------------------------------------|---|--|--------------|----------------------|--------------------|---------------|
| | | | Min. | Max. | Max. | | |
| V_{OH} | Receiver Output HIGH Voltage | $V_{CC} = V_{IN}$ $V_{IN} = V_{IL}$ or V_{IH} | MIL, $I_{OH} = -1.0\text{mA}$ COM'L, $I_{OH} = -2.6\text{mA}$ | 2.4 2.4 | 3.4 3.4 | Volts | |
| V_{OL} | Receiver Output LOW Voltage | $V_{CC} = \text{MIN.}$ $V_{IN} = V_{IL}$ or V_{IH} | $I_{OL} = 4\text{mA}$ $I_{OL} = 8\text{mA}$ $I_{OL} = 12\text{mA}$ | | 0.27 0.32 0.37 | 0.4 0.45 0.5 | Volts |
| V_{IH} | Input HIGH Level (Except Bus) | Guaranteed input logical HIGH for all inputs | | 2.0 | | Volts | |
| V_{IL} | Input LOW Level (Except Bus) | Guaranteed input logical LOW for all inputs | | MIL COM'L | | 0.7 0.8 | Volts |
| V_I | Input Clamp Voltage (Except Bus) | $V_{CC} = \text{MIN.}$, $I_{IN} = -18\text{mA}$ | | | | -1.5 | Volts |
| I_{IL} | Input LOW Current (Except Bus) | $V_{CC} = \text{MAX.}$, $V_{IN} = 0.4\text{V}$ | | | | -0.36 | mA |
| I_{IH} | Input HIGH Current (Except Bus) | $V_{CC} = \text{MAX.}$, $V_{IN} = 2.7\text{V}$ | | | | 20 | μA |
| I_I | Input HIGH Current (Except Bus) | $V_{CC} = \text{MAX.}$, $V_{IN} = 5.5\text{V}$ | | | | 100 | μA |
| I_O | Receiver Off-State Output Current | $V_{CC} = \text{MAX.}$ | $V_O = 2.4\text{V}$ $V_O = 0.4\text{V}$ | | | 20 -20 | μA |
| I_{SC} | Receiver Output Short Circuit Current | $V_{CC} = \text{MAX.}$ | | -12 | | -65 | mA |
| I_{CC} | Power Supply Current | $V_{CC} = \text{MAX.}$, All inputs = GND | | | 69 | 105 | mA |

SWITCHING CHARACTERISTICS OVER OPERATING TEMPERATURE RANGE

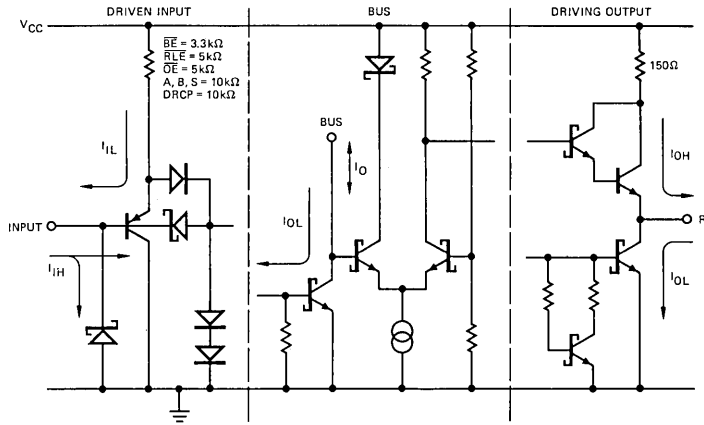
| Parameters | Description | Test Conditions | Am2905XM | | | Am2905XC | | | Units |
|------------|---|--|----------|---------------|------|----------|---------------|------|-------|
| | | | Min. | Typ. (Note 2) | Max. | Min. | Typ. (Note 2) | Max. | |
| t_{PHL} | Driver Clock (DRCP) to Bus | C_L (BUS) = 50pF R_L (BUS) = 50 Ω | | 21 | 40 | | 21 | 36 | ns |
| t_{PLH} | | | | 21 | 40 | | 21 | 36 | |
| t_{PHL} | Bus Enable (\overline{BE}) to Bus | | | 13 | 26 | | 13 | 23 | ns |
| t_{PLH} | | | | 13 | 26 | | 13 | 23 | |
| t_s | Data Inputs (A or B) | | | 25 | | | 23 | | ns |
| t_h | | | | 8.0 | | | 7.0 | | |
| t_s | Select Input (S) | | 33 | | | 30 | | ns | |
| t_h | | | 8.0 | | | 7.0 | | | |
| t_{PW} | Driver Clock (DRCP) Pulse Width (HIGH) | | 28 | | | 25 | | ns | |
| t_{PLH} | Bus to Receiver Output (Latch Enable) | $C_L = 15\text{pF}$ $R_L = 2.0\text{k}\Omega$ | | 18 | 37 | | 18 | 34 | ns |
| t_{PHL} | | | | 18 | 37 | | 18 | 34 | |
| t_{PLH} | Latch Enable to Receiver Output | | | 21 | 37 | | 21 | 34 | ns |
| t_{PHL} | | | | 21 | 37 | | 21 | 34 | |
| t_s | Bus to Latch Enable ($\overline{RL\overline{E}}$) | | | 21 | | | 18 | | ns |
| t_h | | | | 7.0 | | | 5.0 | | |
| t_{ZH} | Output Control to Receiver Output | | | 14 | 28 | | 14 | 25 | ns |
| t_{ZL} | | | | 14 | 28 | | 14 | 25 | |
| t_{HZ} | Output Control to Receiver Output | | | 14 | 28 | | 14 | 25 | ns |
| t_{LZ} | | | | 14 | 28 | | 14 | 25 | |

Notes: 1. For conditions shown as MIN. or MAX., use the appropriate value specified under Electrical Characteristics for the applicable device type.

2. Typical limits are at $V_{CC} = 5.0\text{V}$, 25°C ambient and maximum loading.

3. Not more than one output should be shorted at a time. Duration of the short circuit test should not exceed one second.

INPUT/OUTPUT CURRENT INTERFACE CONDITIONS

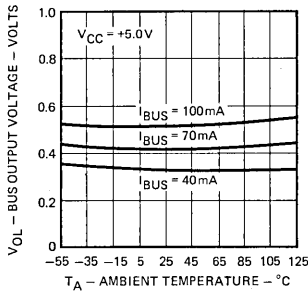


Note: Actual current flow direction shown.

MPR-066

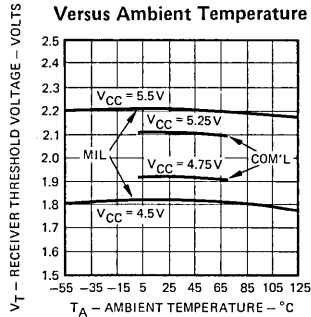
TYPICAL PERFORMANCE CURVES

Bus Output Low Voltage Versus Ambient Temperature



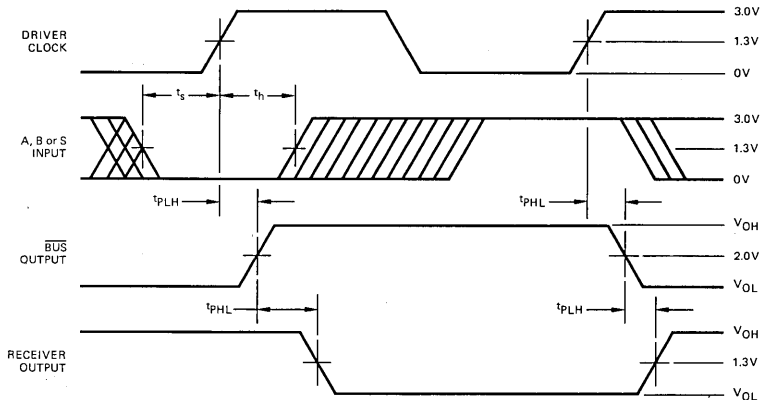
MPR-067

Receiver Threshold Variation Versus Ambient Temperature



MPR-068

SWITCHING WAVEFORMS



Note: Bus to Receiver output delay is measured by clocking data into the driver register and measuring the BUS to R combinatorial delay.

MPR-069

FUNCTION TABLE

| INPUTS | | | | | | INTERNAL TO DEVICE | | BUS | OUTPUT | FUNCTION | |
|--------|----------------|----------------|------|-----------------|------------------|--------------------|----------------|----------------|--------------------|----------|--|
| S | A _i | B _i | DRCP | \overline{BE} | \overline{RLE} | \overline{OE} | D _i | Q _i | \overline{BUS}_i | | R _i |
| X | X | X | X | H | X | X | X | X | Z | X | Driver output disable |
| X | X | X | X | X | X | H | X | X | X | Z | Receiver output disable |
| X | X | X | X | H | L | L | X | L | L | H | Driver output disable and receive data via Bus input |
| X | X | X | X | H | L | L | X | H | H | L | Driver output disable and receive data via Bus input |
| X | X | X | X | X | H | X | X | NC | X | X | Latch received data |
| L | L | X | ↑ | X | X | X | L | X | X | X | Load driver register |
| L | H | X | ↑ | X | X | X | H | X | X | X | |
| H | X | L | ↑ | X | X | X | L | X | X | X | |
| H | X | H | ↑ | X | X | X | H | X | X | X | |
| X | X | X | L | X | X | X | NC | X | X | X | No driver clock restrictions |
| X | X | X | H | X | X | X | NC | X | X | X | No driver clock restrictions |
| X | X | X | X | L | X | X | L | X | H | X | Drive Bus |
| X | X | X | X | L | X | X | H | X | L | X | |

H = HIGH Z = HIGH Impedance X = Don't care i = 0, 1, 2, 3
 L = LOW NC = No change ↑ = LOW to HIGH transition

ORDERING INFORMATION

Order the part number according to the table below to obtain the desired package, temperature range, and screening level.

| Order Number | Package Type (Note 1) | Temperature Range (Note 2) | Screening Level (Note 3) |
|--------------|-----------------------|----------------------------|--|
| AM2905PC | P-24 | C | C-1 |
| AM2905DC | D-24 | C | C-1 |
| AM2905DC-B | D-24 | C | B-1 |
| AM2905DM | D-24 | M | C-3 |
| AM2905DM-B | D-24 | M | B-3 |
| AM2905FM | F-24 | M | C-3 |
| AM2905FM-B | F-24 | M | B-3 |
| AM2905XC | Dice | C | Visual inspection to MIL-STD-883 Method 2010B. |
| AM2905XM | Dice | M | |

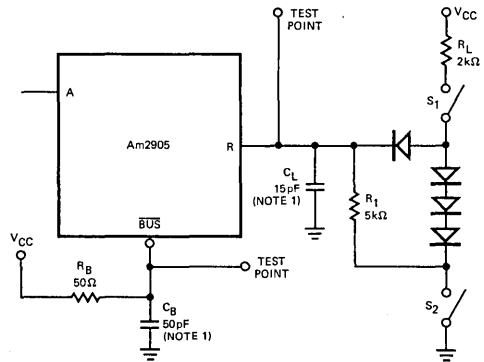
Notes:

1. P = Molded DIP, D = Hermetic DIP, F = Flat Pak. Number following letter is number of leads. See Appendix B for detailed outline. Where Appendix B contains several dash numbers, any of the variations of the package may be used unless otherwise specified.
2. C = 0°C to +70°C, M = -55°C to +125°C.
3. See Appendix A for details of screening. Levels C-1 and C-3 conform to MIL-STD-883, Class C. Level B-3 conforms to MIL-STD-883, Class B.

DEFINITION OF FUNCTIONAL TERMS

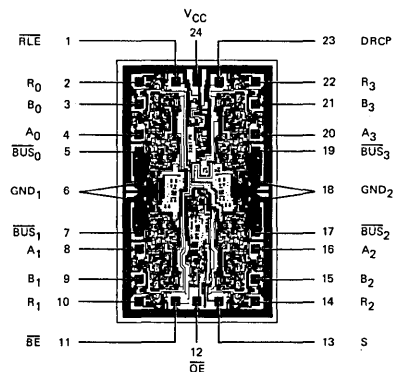
- A₀, A₁, A₂, A₃** The "A" word data input into the two input multiplexer of the driver register.
- B₀, B₁, B₂, B₃** The "B" word data input into the two input multiplexers of the driver register.
- S** Select. When the select input is LOW, the A data word is applied to the driver register. When the select input is HIGH, the B word is applied to the driver register.
- DRCP** Driver Clock Pulse. Clock pulse for the driver register.
- \overline{BE}** Bus Enable. When the Bus Enable is HIGH, the four drivers are in the high impedance state.
- $\overline{BUS}_0, \overline{BUS}_1, \overline{BUS}_2, \overline{BUS}_3$** The four driver outputs and receiver inputs (data is inverted).
- R₀, R₁, R₂, R₃** The four receiver outputs. Data from the bus is inverted while data from the A or B inputs is non-inverted.
- \overline{RLE}** Receiver Latch Enable. When \overline{RLE} is LOW, data on the BUS inputs is passed through the receiver latches. When \overline{RLE} is HIGH, the receiver latches are closed and will retain the data independent of all other inputs.
- \overline{OE}** Output Enable. When the \overline{OE} input is HIGH, the four three state receiver outputs are in the high-impedance state.

LOAD TEST CIRCUIT



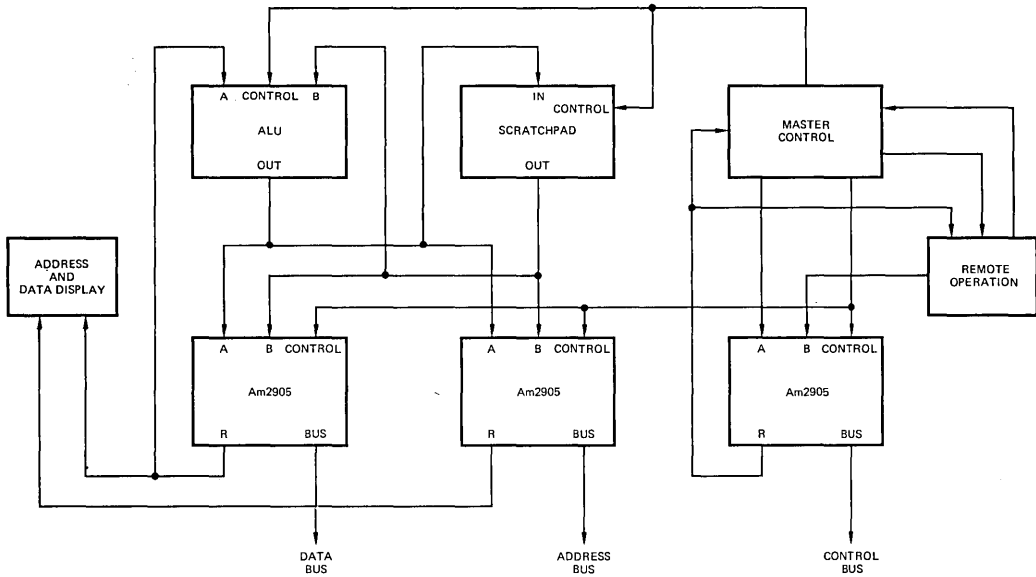
MPR-070

Metallization and Pad Layout



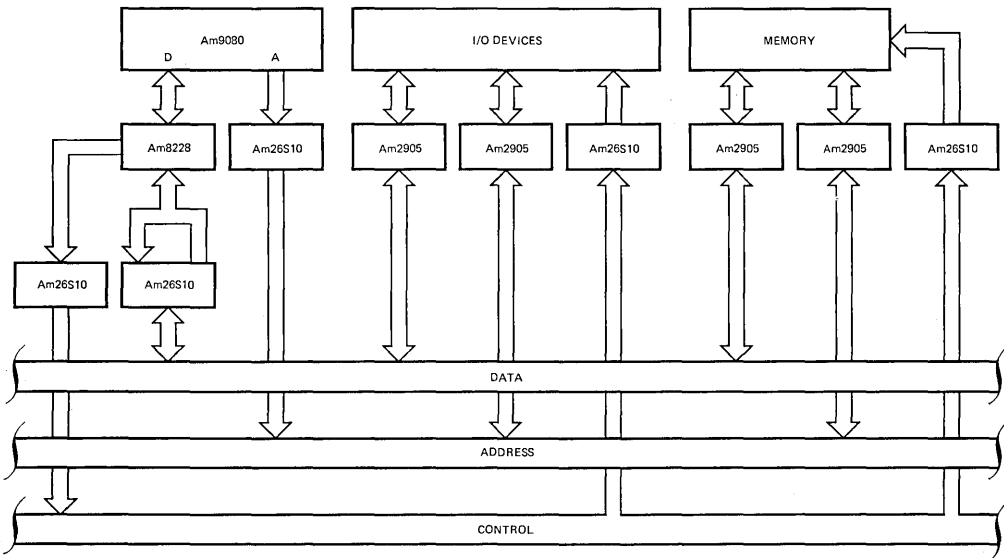
DIE SIZE 0.080" X 0.130"

APPLICATIONS



The Am2905 is a universal Bus Transceiver useful for many system data, address, control and timing input/output interfaces.

MPR-071



Using the Am2905 and Am26S10 in a terminated Bus system for the Am9080 MOS Microprocessor.

MPR-072

Am2906

Quad Two-Input OC Bus Transceiver With Parity

Distinctive Characteristics

- Quad high-speed LSI bus transceiver.
- Open-collector bus driver.
- Two-port input to D-type register on driver.
- Bus driver output can sink 100 mA at 0.8V max.
- Internal odd 4-bit parity checker/generator.
- Receiver has output latch for pipeline operation.
- Receiver outputs sink 12 mA.
- Advanced low-power Schottky processing.
- 100% reliability assurance testing in compliance with MIL-STD-883.

FUNCTIONAL DESCRIPTION

The Am2906 is a high-performance, low-power Schottky bus transceiver intended for bipolar or MOS microprocessor system applications. The device consists of four D-type edge-triggered flip-flops with a built-in two-input multiplexer on each. The flip-flop outputs are connected to four open-collector bus drivers. Each bus driver is internally connected to one input of a differential amplifier in the receiver. The four receiver differential amplifier outputs drive four D-type latches. The device also contains a four-bit odd parity checker/generator.

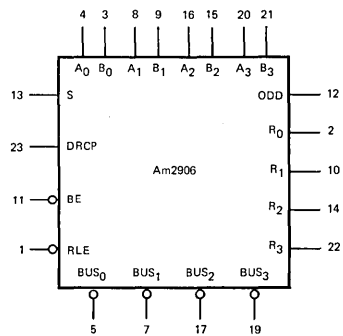
This LSI bus transceiver is fabricated using advanced low-power Schottky processing. All inputs (except the BUS inputs) are one LS unit load. The open-collector bus output can sink up to 100 mA at 0.8V maximum. The BUS input differential amplifier contains disconnect protection diodes such that the bus is fail-safe when power is not applied. The bus enable input (\overline{BE}) is used to force the driver outputs to the high-impedance state. When \overline{BE} is HIGH, the driver is disabled. The open-collector structure of the driver allows wired-OR operations to be performed on the bus.

The input register consists of four D-type flip-flops with a buffered common clock and a two-input multiplexer at the input of each flip-flop. A common select input (S) controls the four multiplexers. When S is LOW, the A_i data is stored in the register and when S is HIGH, the B_i data is stored. The buffered common clock (DRCP) enters the data into this driver register on the LOW-to-HIGH transition.

Data from the A or B input is inverted at the BUS output. Likewise, data at the BUS input is inverted at the receiver output. Thus, data is non-inverted from driver input to receiver output. The four receivers each feature a built-in D-type latch that is controlled from the buffered receiver latch enable (\overline{RLE}) input. When the \overline{RLE} input is LOW, the latch is open and the receiver outputs will follow the bus inputs (BUS data inverted). When the \overline{RLE} input is HIGH, the latch will close and retain the present data regardless of the bus input.

The Am2906 features a built-in four-bit odd parity checker/generator. The bus enable input (\overline{BE}) controls whether the parity output is in the generate or check mode. When the bus enable is LOW (driver enabled), odd parity is generated based on the A or B field data input to the driver register. When \overline{BE} is HIGH, the parity output is determined by the four latch outputs of the receiver. Thus, if the driver is enabled, parity is generated and if the driver is in the high-impedance state, the BUS parity is checked.

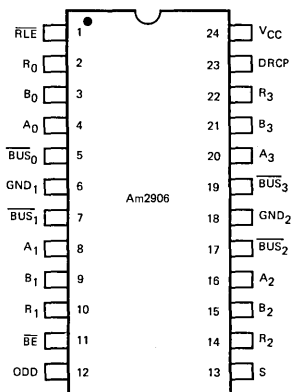
LOGIC SYMBOL



V_{CC} = Pin 24
 GND_1 = Pin 6
 GND_2 = Pin 18

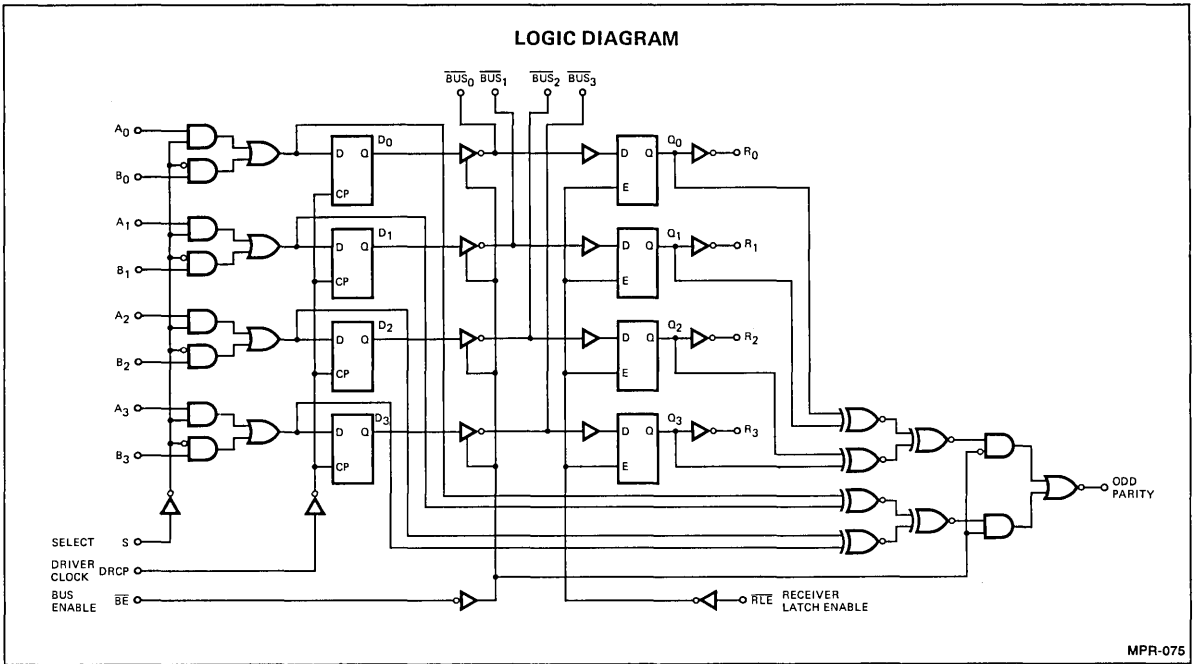
MPR-073

CONNECTION DIAGRAM Top View



Note: Pin 1 is marked for orientation:

MPR-074



MPR-075

MAXIMUM RATINGS (Above which the useful life may be impaired)

| | |
|---|--------------------------------|
| Storage Temperature | -65°C to +150°C |
| Temperature (Ambient) Under Bias | -55°C to +125°C |
| Supply Voltage to Ground Potential | -0.5V to +7V |
| DC Voltage Applied to Outputs for HIGH Output State | -0.5V to +V _{CC} max. |
| DC Input Voltage | -0.5V to +5.5V |
| DC Output Current, Into Outputs (Except Bus) | 30mA |
| DC Output Current, Into Bus | 200mA |
| DC Input Current | -30mA to +5.0mA |

ELECTRICAL CHARACTERISTICS

The following conditions apply unless otherwise noted:

Am2906XC (COM'L) T_A = 0°C to +70°C V_{CC} MIN. = 4.75V V_{CC} MAX. = 5.25V
 Am2906XM (MIL) T_A = -55°C to +125°C V_{CC} MIN. = 4.50V V_{CC} MAX. = 5.50V

BUS INPUT/OUTPUT CHARACTERISTICS OVER OPERATING TEMPERATURE RANGE

| Parameters | Description | Test Conditions (Note 1) | Min. | Typ. (Note 2) | Max. | Units |
|------------------|---------------------------------|--------------------------|-----------------------|---------------|------|-------|
| V _{OL} | Bus Output LOW Voltage | I _{OL} = 40mA | | 0.32 | 0.5 | Volts |
| | | I _{OL} = 70mA | | 0.41 | 0.7 | |
| | | I _{OL} = 100mA | | 0.55 | 0.8 | |
| I _O | Bus Leakage Current | V _{CC} = MAX. | V _O = 0.4V | | -50 | μA |
| | | V _O = 4.5V | | | | |
| | COM'L | | 100 | | | |
| I _{OFF} | Bus Leakage Current (Power OFF) | V _O = 4.5V | | | 100 | μA |
| V _{TH} | Receiver Input HIGH Threshold | Bus enable = 2.4V | MIL | 2.4 | 2.0 | Volts |
| | | | COM'L | 2.3 | 2.0 | |
| V _{TL} | Receiver Input LOW Threshold | Bus enable = 2.4V | MIL | 2.0 | 1.5 | Volts |
| | | | COM'L | 2.0 | 1.6 | |

Am2906

ELECTRICAL CHARACTERISTICS

The following conditions apply unless otherwise noted:

Am2906XC (COM'L) $T_A = 0^\circ\text{C to } +70^\circ\text{C}$ $V_{CC\text{ MIN.}} = 4.75\text{V}$ $V_{CC\text{ MAX.}} = 5.25\text{V}$
 Am2906XM (MIL) $T_A = -55^\circ\text{C to } +125^\circ\text{C}$ $V_{CC\text{ MIN.}} = 4.5\text{V}$ $V_{CC\text{ MAX.}} = 5.5\text{V}$

DC CHARACTERISTICS OVER OPERATING TEMPERATURE RANGE

| Parameters | Description | Test Conditions (Note 1) | Min. | Typ. (Note 2) | | Max. | Units | |
|-----------------|---|--|-----------------------------------|---------------|------|-------|---------------|----|
| | | | | | | | | |
| VOH | Receiver Output HIGH Voltage | $V_{CC} = \text{MIN.}$ $V_{IN} = V_{IL}$ or V_{IH} | MIL $I_{OH} = -1\text{mA}$ | 2.4 | 3.4 | | Volts | |
| | | | COM'L $I_{OH} = -2.6\text{mA}$ | 2.4 | 3.4 | | | |
| | Parity Output HIGH Voltage | $V_{CC} = \text{MIN.}$, $I_{OH} = -660\mu\text{A}$ $V_{IN} = V_{IH}$ or V_{IL} | MIL | 2.5 | 3.4 | | | |
| | | | COM'L | 2.7 | 3.4 | | | |
| VOL | Output LOW Voltage (Except Bus) | $V_{CC} = \text{MIN.}$ $V_{IN} = V_{IL}$ or V_{IH} | $I_{OL} = 4\text{mA}$ | | 0.27 | 0.4 | Volts | |
| | | | $I_{OL} = 8\text{mA}$ | | 0.32 | 0.45 | | |
| | | | $I_{OL} = 12\text{mA}$ | | 0.37 | 0.5 | | |
| V _{IH} | Input HIGH Level (Except Bus) | Guaranteed input logical HIGH for all inputs | | | 2.0 | | Volts | |
| V _{IL} | Input LOW Level (Except Bus) | Guaranteed input logical LOW for all inputs | MIL | | | 0.7 | Volts | |
| | | | COM'L | | | 0.8 | | |
| V _I | Input Clamp Voltage (Except Bus) | $V_{CC} = \text{MIN.}$, $I_{IN} = -18\text{mA}$ | | | | -1.2 | Volts | |
| I _{IL} | Input LOW Current (Except Bus) | $V_{CC} = \text{MAX.}$, $V_{IN} = 0.4\text{V}$ | | | | -0.36 | mA | |
| I _{IH} | Input HIGH Current (Except Bus) | $V_{CC} = \text{MAX.}$, $V_{IN} = 2.7\text{V}$ | | | | 20 | μA | |
| I _I | Input HIGH Current (Except Bus) | $V_{CC} = \text{MAX.}$, $V_{IN} = 5.5\text{V}$ | | | | 100 | μA | |
| I _{SC} | Output Short Circuit Current (Except Bus) | $V_{CC} = \text{MAX.}$ | | | -12 | -65 | mA | |
| I _{CC} | Power Supply Current | $V_{CC} = \text{MAX.}$, All inputs = GND | | | | 72 | 105 | mA |

SWITCHING CHARACTERISTICS OVER OPERATING TEMPERATURE RANGE

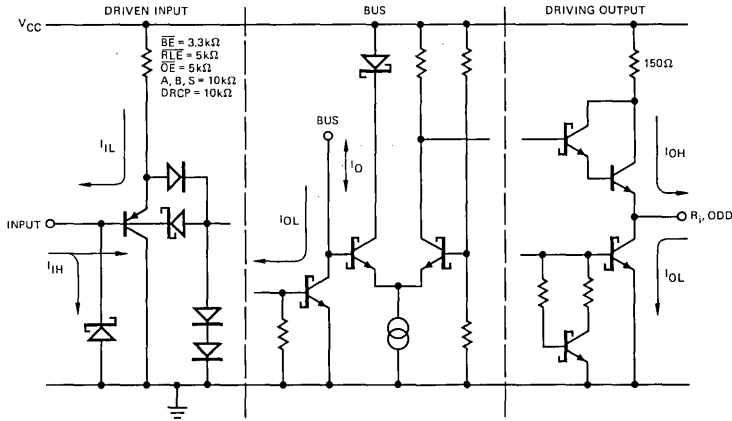
| Parameters | Description | Test Conditions | Am2906XM | | | Am2906XC | | | Units | |
|------------------|--|---|--|---------------|-----|----------|---------------|-----|-------|----|
| | | | Min. | Typ. (Note 2) | | Min. | Typ. (Note 2) | | | |
| | | | | Max. | | | Max. | | | |
| t _{PHL} | Driver Clock (DRCP) to Bus | $C_L (\text{BUS}) = 50\text{pF}$ $R_L (\text{BUS}) = 50\Omega$ | | 21 | 40 | | 21 | 36 | ns | |
| t _{PLH} | | | | 21 | 40 | | 21 | 36 | | |
| t _{PHL} | Bus Enable (\overline{BE}) to Bus | | $C_L = 15\text{pF}$ $R_L = 2.0\text{k}\Omega$ | | 13 | 26 | | 13 | 23 | ns |
| t _{PLH} | | | | | 13 | 26 | | 13 | 23 | |
| t _s | Data Inputs (A or B) | | | | 25 | | | 23 | | ns |
| t _h | | | | | 8.0 | | | 7.0 | | |
| t _s | Select Inputs (S) | | | | 33 | | | 30 | | ns |
| t _h | | | | | 8.0 | | | 7.0 | | |
| t _{PW} | Clock Pulse Width (HIGH) | | | | 28 | | | 25 | | ns |
| t _{PLH} | Bus to Receiver Output (Latch Enabled) | | | | 18 | 37 | | 18 | 34 | ns |
| t _{PHL} | | | | 18 | 37 | | 18 | 34 | | |
| t _{PLH} | Latch Enable to Receiver Output | | | 21 | 37 | | 21 | 34 | ns | |
| t _{PHL} | | | 21 | 37 | | 21 | 34 | | | |
| t _s | Bus to Latch Enable (\overline{RLE}) | | 21 | | | 18 | | ns | | |
| t _h | | | 7.0 | | | 5.0 | | | | |
| t _{PLH} | A or B Data to Odd Parity Output (Driver Enabled) | | 21 | 40 | | 21 | 36 | ns | | |
| t _{PHL} | | | 21 | 40 | | 21 | 36 | | | |
| t _{PLH} | Bus to Odd Parity Output (Driver Inhibited, Latch Enabled) | | 21 | 40 | | 21 | 36 | ns | | |
| t _{PHL} | | | 21 | 40 | | 21 | 36 | | | |
| t _{PLH} | Latch Enable (\overline{RLE}) to Odd Parity Output | | 21 | 40 | | 21 | 36 | ns | | |
| t _{PHL} | | | 21 | 40 | | 21 | 36 | | | |

Notes: 1. For conditions shown as MIN. or MAX., use the appropriate value specified under Electrical Characteristics for the applicable device type.

2. Typical limits are at $V_{CC} = 5.0\text{V}$, 25°C ambient and maximum loading.

3. Not more than one output should be shorted at a time. Duration of the short circuit test should not exceed one second.

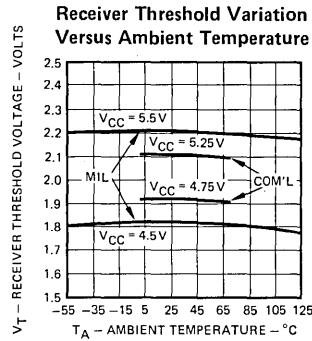
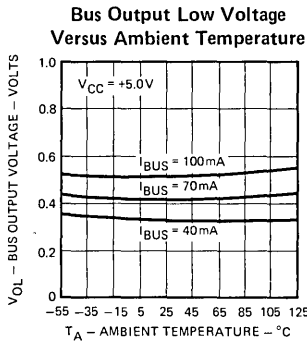
INPUT/OUTPUT CURRENT INTERFACE CONDITIONS



Note: Actual current flow direction shown.

MPR-076

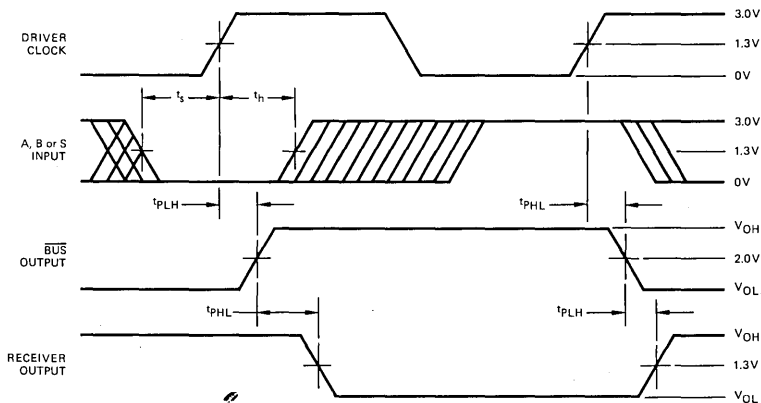
TYPICAL PERFORMANCE CURVES



MPR-077

MPR-078

SWITCHING WAVEFORMS



Note: Bus to Receiver output delay is measured by clocking data into the driver register and measuring the BUS to R combinatorial delay.

MPR-079

FUNCTION TABLE

| INPUTS | | | | INTERNAL TO DEVICE | | BUS | OUTPUT | FUNCTION | | | |
|--------|----------------|----------------|------|--------------------|------------------|-----------------|----------------|----------|----------------|--------------------|--|
| S | A _i | B _i | DRCP | \overline{BE} | \overline{RLE} | \overline{OE} | D _i | | Q _i | \overline{BUS}_i | R _i |
| X | X | X | X | H | X | X | X | X | Z | X | Driver output disable |
| X | X | X | X | X | X | H | X | X | X | Z | Receiver output disable |
| X | X | X | X | H | L | L | X | L | L | H | Driver output disable and receive data via Bus input |
| X | X | X | X | H | L | L | X | H | H | L | |
| X | X | X | X | X | H | X | X | NC | X | X | Latch received data |
| L | L | X | ↑ | X | X | X | L | X | X | X | Load driver register |
| L | H | X | ↑ | X | X | X | H | X | X | X | |
| H | X | L | ↑ | X | X | X | L | X | X | X | |
| H | X | H | ↑ | X | X | X | H | X | X | X | |
| X | X | X | L | X | X | X | NC | X | X | X | No driver clock restrictions |
| X | X | X | H | X | X | X | NC | X | X | X | |
| X | X | X | X | L | X | X | L | X | H | X | Drive Bus |
| X | X | X | X | L | X | X | H | X | L | X | |

H = HIGH Z = HIGH Impedance X = Don't care i = 0, 1, 2, 3
 L = LOW NC = No change ↑ = LOW to HIGH transition

ORDERING INFORMATION

Order the part number according to the table below to obtain the desired package, temperature range, and screening level.

| Order Number | Package Type (Note 1) | Temperature Range (Note 2) | Screening Level (Note 3) |
|--------------|-----------------------|----------------------------|--|
| AM2906PC | P-24 | C | C-1 |
| AM2906DC | D-24 | C | C-1 |
| AM2906DC-B | D-24 | C | B-1 |
| AM2906DM | D-24 | M | C-3 |
| AM2906DM-B | D-24 | M | B-3 |
| AM2906FM | F-24 | M | C-3 |
| AM2906FM-B | F-24 | M | B-3 |
| AM2906XC | Dice | C | Visual inspection to MIL-STD-883 Method 2010B. |
| AM2906XM | Dice | M | |

Notes:

- P = Molded DIP, D = Hermetic DIP, F = Flat Pak. Number following letter is number of leads. See Appendix B for detailed outline. Where Appendix B contains several dash numbers, any of the variations of the package may be used unless otherwise specified.
- C = 0°C to +70°C, M = -55°C to +125°C.
- See Appendix A for details of screening. Levels C-1 and C-3 conform to MIL-STD-883, Class C. Level B-3 conforms to MIL-STD-883, Class B.

DEFINITION OF FUNCTIONAL TERMS

A₀, A₁, A₂, A₃ The "A" word data input into the two input multiplexer of the driver register.

B₀, B₁, B₂, B₃ The "B" word data input into the two input multiplexers of the driver register.

S Select. When the select input is LOW, the A data word is applied to the driver register. When the select input is HIGH, the B word is applied to the driver register.

DRCP Driver Clock Pulse. Clock pulse for the driver register.

\overline{BE} Bus Enable. When the Bus Enable is HIGH, the four drivers are in the high impedance state.

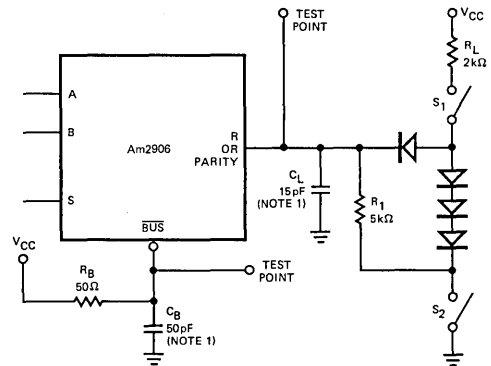
$\overline{BUS}_0, \overline{BUS}_1, \overline{BUS}_2, \overline{BUS}_3$ The four driver outputs and receiver inputs (data is inverted).

R₀, R₁, R₂, R₃ The four receiver outputs. Data from the bus is inverted while data from the A or B inputs is non-inverted.

\overline{RLE} Receiver Latch Enable. When \overline{RLE} is LOW, data on the BUS inputs is passed through the receiver latches. When \overline{RLE} is HIGH, the receiver latches are closed and will retain the data independent of all other inputs.

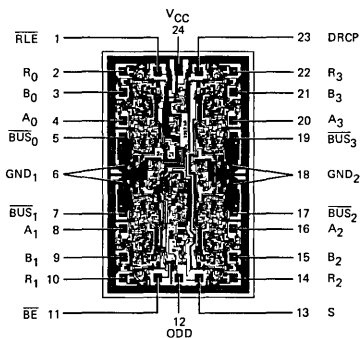
\overline{OE} Output Enable. When the \overline{OE} input is HIGH, the four three state receiver outputs are in the high-impedance state.

LOAD TEST CIRCUIT



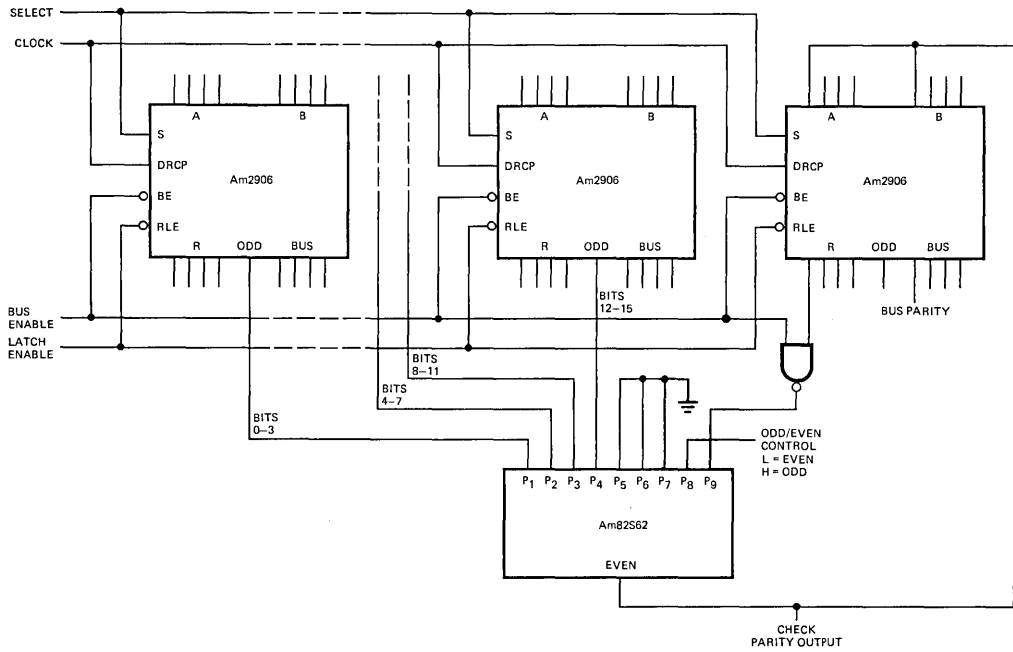
MPR-080

Metallization and Pad Layout



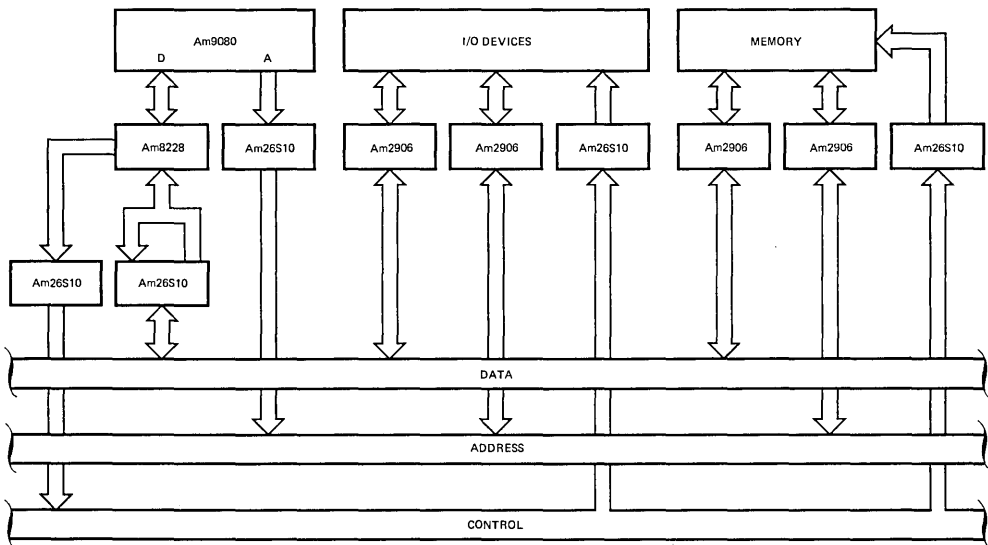
DIE SIZE 0.080" X 0.130"

APPLICATIONS



Generating or checking parity for 16 data bits.

MPR-081



Using the Am2906 and Am26S10 in a terminated Bus system for the Am9080 MOS Microprocessor.

MPR-082

Am2907

Quad Bus Transceiver With Three-State Receiver And Parity

Distinctive Characteristics

- Quad high-speed LSI bus-transceiver
- Open-collector bus driver
- D-type register on driver
- Bus driver output can sink 100 mA at 0.8 V max.
- Internal odd 4-bit parity checker/generator
- Receiver has output latch for pipeline operation
- Three-state receiver outputs sink 12 mA
- Advanced Low-Power Schottky processing
- 100% reliability assurance testing in compliance with MIL-STD-883

FUNCTIONAL DESCRIPTION

The Am2907 is a high-performance, low-power Schottky bus transceiver intended for bipolar or MOS microprocessor system applications. The device consists of four D-type edge-triggered flip-flops. The flip-flop outputs are connected to four open-collector bus drivers. Each bus driver is internally connected to one input of a differential amplifier in the receiver. The four receiver differential amplifier outputs drive four D-type latches, that feature three-state outputs. The device also contains a four-bit odd parity checker/generator.

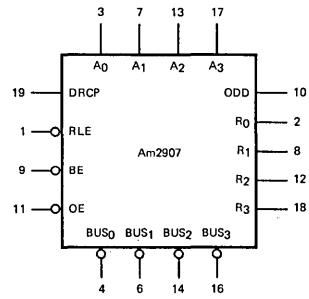
This LSI bus transceiver is fabricated using advanced low-power Schottky processing. All inputs (except the BUS inputs) are one LS unit load. The open-collector bus output can sink up to 100 mA at 0.8 V maximum. The BUS input differential amplifier contains disconnect protection diodes such that the bus is fail-safe when power is not applied. The bus enable input (\overline{BE}) is used to force the driver outputs to the high-impedance state. When \overline{BE} is HIGH, the driver is disabled. The open-collector structure of the driver allows wired-OR operations to be performed on the bus.

The input register consists of four D-type flip-flops with a buffered common clock. The buffered common clock (DRCP) enters the A_1 data into this driver register on the LOW-to-HIGH transition.

Data from the A input is inverted at the BUS output. Likewise, data at the BUS input is inverted at the receiver output. Thus, data is non-inverted from driver input to receiver output. The four receivers each feature a built-in D-type latch that is controlled from the buffered receiver latch enable (\overline{RLE}) input. When the \overline{RLE} input is LOW, the latch is open and the receiver outputs will follow the bus inputs (BUS data inverted and \overline{OE} LOW). When the \overline{RLE} input is HIGH, the latch will close and retain the present data regardless of the bus input. The four latches have three-state outputs and are controlled by a buffered common three-state control (\overline{OE}) input. When \overline{OE} is HIGH, the receiver outputs are in the high-impedance state.

The Am2907 features a built-in four-bit odd parity checker/generator. The bus enable input (\overline{BE}) controls whether the parity output is in the generate or check mode. When the bus enable is LOW (driver enabled), odd parity is generated based on the A field data input to the driver register. When \overline{BE} is HIGH, the parity output is determined by the four latch outputs of the receiver. Thus, if the driver is enabled, parity is generated and if the driver is in the high-impedance state, the BUS parity is checked.

LOGIC SYMBOL

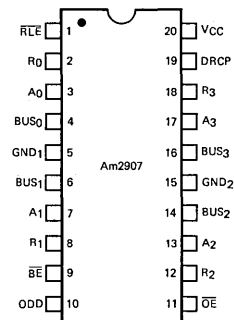


V_{CC} = Pin 20
 GND_1 = Pin 5
 GND_2 = Pin 15

MPR-083

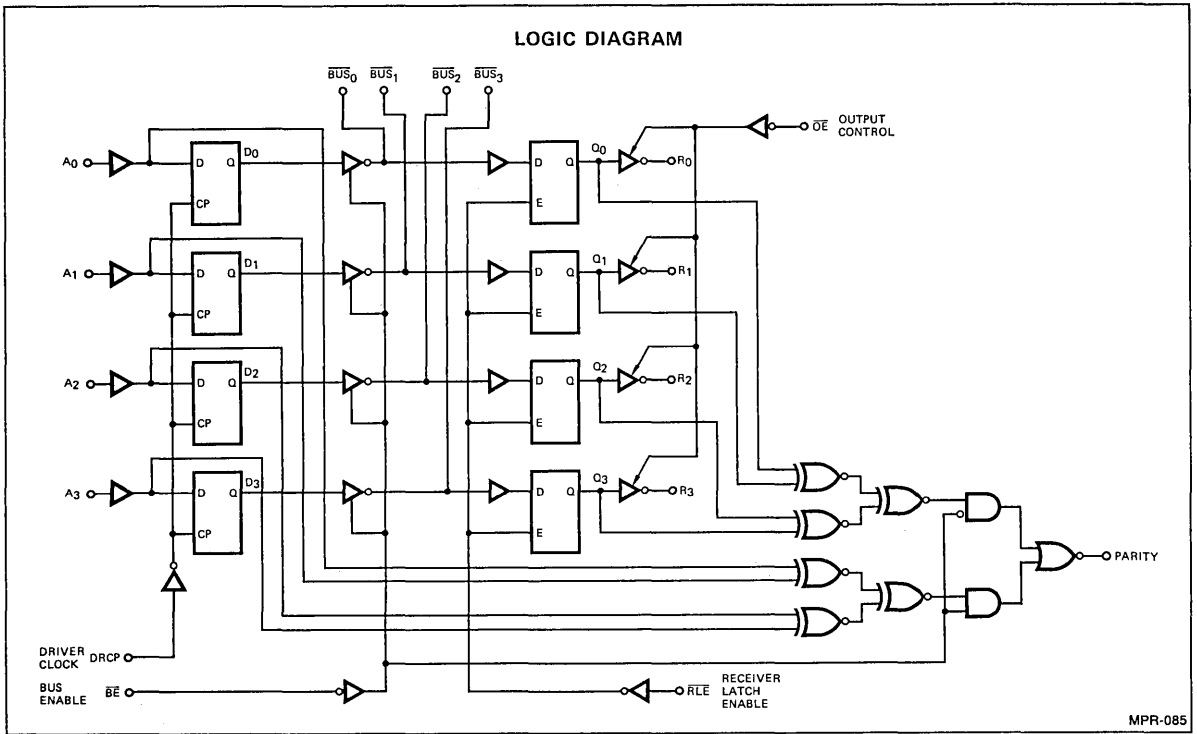
CONNECTION DIAGRAMS Top Views

DIP



Note: Pin 1 is marked for orientation.

MPR-084



MAXIMUM RATINGS (Above which the useful life may be impaired)

| | |
|---|---------------------------------|
| Storage Temperature | -65°C to +150°C |
| Temperature (Ambient) Under Bias | -55°C to +125°C |
| Supply Voltage to Ground Potential | -0.5 V to +7 V |
| DC Voltage Applied to Outputs for HIGH Output State | -0.5 V to +V _{CC} max. |
| DC Input Voltage | -0.5 V to +5.5 V |
| DC Output Current, Into Outputs (Except BUS) | 30 mA |
| DC Output Current, Into Bus | 200 mA |
| DC Input Current | -30 mA to +5.0 mA |

ELECTRICAL CHARACTERISTICS

The following conditions apply unless otherwise noted:

Am2907XC (COM'L) T_A = 0°C to +70°C V_{CC} MIN. = 4.75V V_{CC} MAX. = 5.25V
 Am2907XM (MIL) T_A = -55°C to +125°C V_{CC} MIN. = 4.50V V_{CC} MAX. = 5.50V

BUS INPUT/OUTPUT CHARACTERISTICS OVER OPERATING TEMPERATURE RANGE

| Parameters | Description | Test Conditions (Note 1) | Min. | Typ. (Note 2) | Max. | Units |
|------------------|---------------------------------|--------------------------|-------------------------|---------------|------|-------|
| V _{OL} | Bus Output LOW Voltage | V _{CC} = MIN. | I _{OL} = 40mA | 0.32 | 0.5 | Volts |
| | | | I _{OL} = 70mA | 0.41 | 0.7 | |
| | | | I _{OL} = 100mA | 0.55 | 0.8 | |
| I _O | Bus Leakage Current | V _{CC} = MAX. | V _O = 0.4V | | -50 | μA |
| | | | V _O = 4.5V | MIL | | |
| | | | COM'L | | 100 | |
| I _{OFF} | Bus Leakage Current (Power Off) | V _O = 4.5V | | | 100 | μA |
| V _{TH} | Receiver Input HIGH Threshold | Bus Enable = 2.4V | MIL | 2.4 | 2.0 | Volts |
| | | | COM'L | 2.3 | 2.0 | |
| V _{TL} | Receiver Input LOW Threshold | Bus Enable = 2.4V | MIL | | 2.0 | Volts |
| | | | COM'L | | 2.0 | |
| | | | | | 1.6 | |

Am2907

ELECTRICAL CHARACTERISTICS

The following conditions apply unless otherwise noted:

Am2907XC (COM'L) $T_A = 0^\circ\text{C to } +70^\circ\text{C}$ $V_{CC \text{ MIN.}} = 4.75\text{V}$ $V_{CC \text{ MAX.}} = 5.25\text{V}$
 Am2907XM (MIL) $T_A = -55^\circ\text{C to } +125^\circ\text{C}$ $V_{CC \text{ MIN.}} = 4.50\text{V}$ $V_{CC \text{ MAX.}} = 5.50\text{V}$

DC CHARACTERISTICS OVER OPERATING TEMPERATURE RANGE

| Parameters | Description | Test Conditions (Note 1) | | Min. | Typ. (Note 2) | Max. | Units |
|------------|--|--|---------------------------------|---------------------|---------------|-------|---------------|
| V_{OH} | Receiver Output HIGH Voltage | $V_{CC} = \text{MIN.}$ $V_{IN} = V_{IL} \text{ or } V_{IH}$ | MIL: $I_{OH} = -1\text{mA}$ | 2.4 | 3.4 | | Volts |
| | | | COM'L: $I_{OH} = -2.6\text{mA}$ | 2.4 | 3.4 | | |
| V_{OH} | Parity Output HIGH Voltage | $V_{CC} = \text{MIN.}, I_{OH} = -660\mu\text{A}$ $V_{IN} = V_{IH} \text{ or } V_{IL}$ | MIL | 2.5 | 3.4 | | Volts |
| | | | COM'L | 2.7 | 3.4 | | |
| V_{OL} | Output LOW Voltage (Except Bus) | $V_{CC} = \text{MIN.}$ $V_{IN} = V_{IL} \text{ or } V_{IH}$ | $I_{OL} = 4\text{mA}$ | | 0.27 | 0.4 | Volts |
| | | | $I_{OL} = 8\text{mA}$ | | 0.32 | 0.45 | |
| | | | $I_{OL} = 12\text{mA}$ | | 0.37 | 0.5 | |
| V_{IH} | Input HIGH Level (Except Bus) | Guaranteed input logical HIGH for all inputs | | 2.0 | | | Volts |
| V_{IL} | Input LOW Level (Except Bus) | Guaranteed input logical LOW for all inputs | | MIL | | 0.7 | Volts |
| | | | | COM'L | | 0.8 | |
| V_I | Input Clamp Voltage (Except Bus) | $V_{CC} = \text{MIN.}, I_{IN} = -18\text{mA}$ | | | | -1.2 | Volts |
| I_{IL} | Input LOW Current (Except Bus) | $V_{CC} = \text{MAX.}, V_{IN} = 0.4\text{V}$ | | | | -0.36 | mA |
| I_{IH} | Input HIGH Current (Except Bus) | $V_{CC} = \text{MAX.}, V_{IN} = 2.7\text{V}$ | | | | 20 | μA |
| I_I | Input HIGH Current (Except Bus) | $V_{CC} = \text{MAX.}, V_{IN} = 5.5\text{V}$ | | | | 100 | μA |
| I_{SC} | Output Short Circuit Current (Except Bus) | $V_{CC} = \text{MAX.}$ | | -12 | | -65 | mA |
| I_{CC} | Power Supply Current | $V_{CC} = \text{MAX.}, \text{All Inputs} = \text{GND}$ | | | 75 | 110 | mA |
| I_O | Off-State Output Current (Receiver Outputs) | $V_{CC} = \text{MAX.}$ | | $V_O = 2.4\text{V}$ | | 20 | μA |
| | | | | $V_O = 0.4\text{V}$ | | -20 | |

SWITCHING CHARACTERISTICS OVER OPERATING TEMPERATURE RANGE

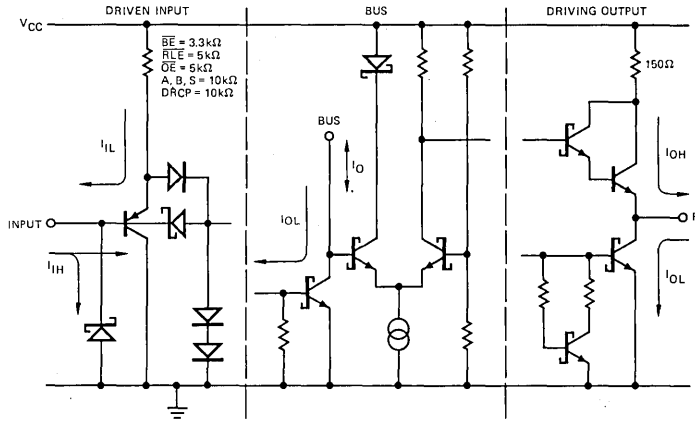
| Parameters | Description | Test Conditions | Am2907XM | | | Am2907XC | | | Units |
|------------|--|---|----------|---------------|------|----------|---------------|------|-------|
| | | | Min. | Typ. (Note 2) | Max. | Min. | Typ. (Note 2) | Max. | |
| t_{PHL} | Driver Clock (DRCP) to Bus | $C_L (\text{BUS}) = 50\text{pF}$ $R_L (\text{BUS}) = 50\Omega$ | | 21 | 40 | | 21 | 36 | ns |
| t_{PLH} | | | | 21 | 40 | | 21 | 36 | |
| t_{PHL} | Bus Enable ($\overline{\text{BE}}$) to Bus | | | 13 | 26 | | 13 | 23 | ns |
| t_{PLH} | | | | 13 | 26 | | 13 | 23 | |
| t_s | A Data Inputs | | | 25 | | | 23 | | ns |
| t_h | | | | 8.0 | | | 7.0 | | |
| t_{PW} | Clock Pulse Width (HIGH) | | | 28 | | | 25 | | ns |
| t_{PLH} | Bus to Receiver Output (Latch Enabled) | | | 18 | 37 | | 18 | 34 | ns |
| t_{PHL} | | | | 18 | 37 | | 18 | 34 | |
| t_{PLH} | Latch Enable to Receiver Output | | | 21 | 37 | | 21 | 34 | ns |
| t_{PHL} | | | | 21 | 37 | | 21 | 34 | |
| t_s | Bus to Latch Enable ($\overline{\text{RLE}}$) | $C_L = 15\text{pF}$ $R_L = 2.0\text{k}\Omega$ | | 21 | | | 18 | | ns |
| t_h | | | | 7.0 | | | 5.0 | | |
| t_{PLH} | A Data to Odd Parity Out (Driver Enabled) | | | 21 | 40 | | 21 | 36 | ns |
| t_{PHL} | | | | 21 | 40 | | 21 | 36 | |
| t_{PLH} | Bus to Odd Parity Out (Driver Inhibit) | | | 21 | 40 | | 21 | 36 | ns |
| t_{PHL} | | | | 21 | 40 | | 21 | 36 | |
| t_{PLH} | Latch Enable ($\overline{\text{RLE}}$) to Odd Parity Output | | | 21 | 40 | | 21 | 36 | ns |
| t_{PHL} | | | | 21 | 40 | | 21 | 36 | |
| t_{ZH} | Output Control to Output | | | 14 | 28 | | 14 | 25 | ns |
| t_{ZL} | | | | 14 | 28 | | 14 | 25 | |
| t_{HZ} | Output Control to Output | $C_L = 5.0\text{pF}$ $R_L = 2.0\text{k}\Omega$ | | 14 | 28 | | 14 | 25 | ns |
| t_{LZ} | | | | 14 | 28 | | 14 | 25 | |

Notes: 1. For conditions shown as MIN. or MAX., use the appropriate value specified under Electrical Characteristics for the applicable device type.

2. Typical limits are at $V_{CC} = 5.0\text{V}$, 25°C ambient and maximum loading.

3. Not more than one output should be shorted at a time. Duration of the short circuit test should not exceed one second.

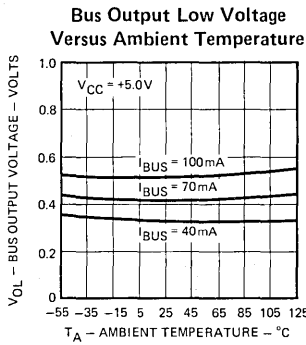
INPUT/OUTPUT CURRENT INTERFACE CONDITIONS



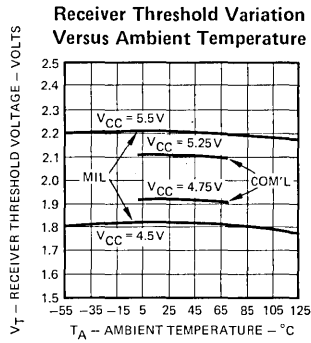
Note: Actual current flow direction shown.

MPR-086

TYPICAL PERFORMANCE CURVES

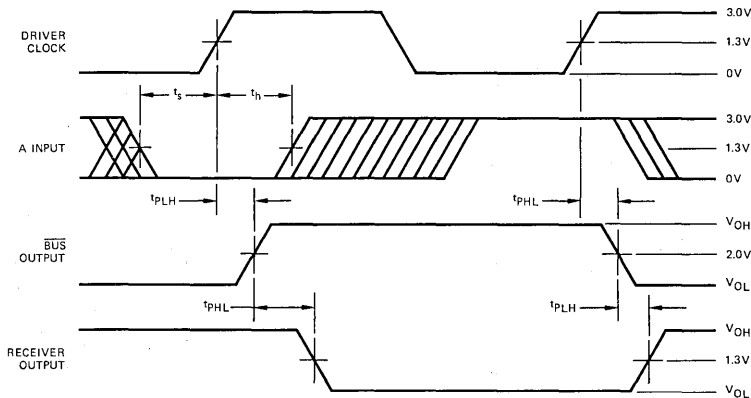


MPR-087



MPR-088

SWITCHING WAVEFORMS



Note: Bus to Receiver output delay is measured by clocking data into the driver register and measuring the BUS to R combinatorial delay.

MPR-089

TRUTH TABLE

| INPUTS | | | | INTERNAL TO DEVICE | | BUS | | OUTPUT | | FUNCTION |
|----------------|------|----|-----|--------------------|----------------|----------------|----------------|----------------|--|--|
| A _i | DRCP | BE | RLE | O _E | D _i | O _i | B _i | R _i | | |
| X | X | H | X | X | X | X | H | X | | Driver output disable |
| X | X | X | X | H | X | X | X | Z | | Receiver output disable |
| X | X | H | L | L | X | L | L | H | | Driver output disable and receive data via Bus input |
| X | X | H | L | L | X | H | H | L | | |
| X | X | X | H | X | X | NC | X | X | | Latch received data |
| L | ↑ | X | X | X | L | X | X | X | | Load driver register |
| H | ↑ | X | X | X | H | X | X | X | | |
| X | L | X | X | X | NC | X | X | X | | No driver clock restrictions |
| X | H | X | X | X | NC | X | X | X | | |
| X | X | L | X | X | L | X | H | X | | Drive Bus |
| X | X | L | X | X | H | X | L | X | | |

H = HIGH Z = HIGH Impedance X = Don't care i = 0, 1, 2, 3
 L = LOW NC = No change ↑ = LOW to HIGH transition

ORDERING INFORMATION

Order the part number according to the table below to obtain the desired package, temperature range, and screening level.

| Order Number | Package Type (Note 1) | Temperature Range (Note 2) | Screening Level (Note 3) |
|--------------|-----------------------|----------------------------|--|
| AM2907PC | P-20 | C | C-1 |
| AM2907DC | D-20 | C | C-1 |
| AM2907DC-B | D-20 | C | B-1 |
| AM2907DM | D-20 | M | C-3 |
| AM2907DM-B | D-20 | M | B-3 |
| AM2907FM | F-20 | M | C-3 |
| AM2907FM-B | F-20 | M | B-3 |
| AM2907XC | Dice | C | Visual inspection to MIL-STD-883 Method 2010B. |
| AM2907XM | Dice | M | |

Notes:

1. P = Molded DIP, D = Hermetic DIP, F = Flat Pak. Number following letter is number of leads. See Appendix B for detailed outline. Where Appendix B contains several dash numbers, any of the variations of the package may be used unless otherwise specified.
2. C = 0°C to +70°C, M = -55°C to +125°C.
3. See Appendix A for details of screening. Levels C-1 and C-3 conform to MIL-STD-883, Class C. Level B-3 conforms to MIL-STD-883, Class B.

PARITY OUTPUT FUNCTION TABLE

| BE | ODD PARITY OUTPUT |
|----|---|
| L | ODD = A ₀ ⊕ A ₁ ⊕ A ₂ ⊕ A ₃ |
| H | ODD = Q ₀ ⊕ Q ₁ ⊕ Q ₂ ⊕ Q ₃ |

DEFINITION OF FUNCTIONAL TERMS

DRCP Driver Clock Pulse. Clock pulse for the driver register.

BE Bus Enable. When the Bus Enable is LOW, the four drivers are in the high impedance state.

BUS₀, BUS₁, BUS₂, BUS₃ The four driver outputs and receiver inputs (data is inverted).

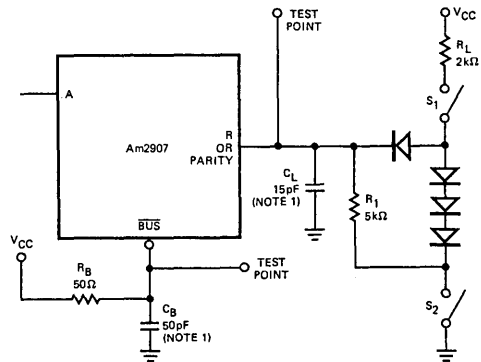
R₀, R₁, R₂, R₃ The four receiver outputs. Data from the bus is inverted while data from the A or B inputs is non-inverted.

RLE Receiver Latch Enable. When RLE is LOW, data on the BUS inputs is passed through the receiver latches. When RLE is HIGH, the receiver latches are closed and will retain the data independent of all other inputs.

ODD Odd parity output. Generates parity with the driver enabled, checks parity with the driver in the high-impedance state.

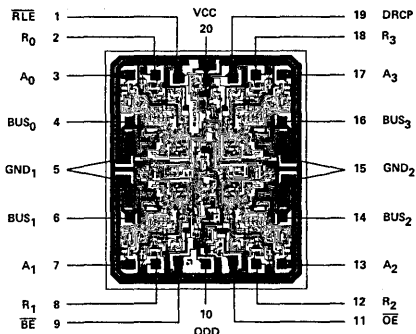
OE Output Enable. When the OE input is HIGH, the four three-state receiver outputs are in the high-impedance state.

LOAD TEST CIRCUIT



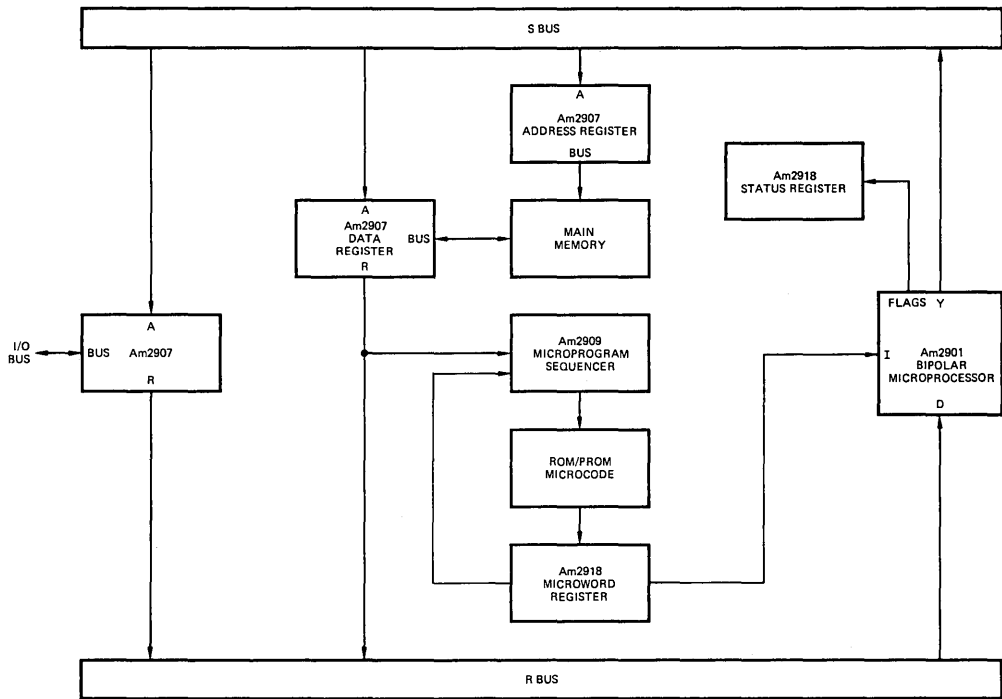
MPR-090

Metallization and Pad Layout



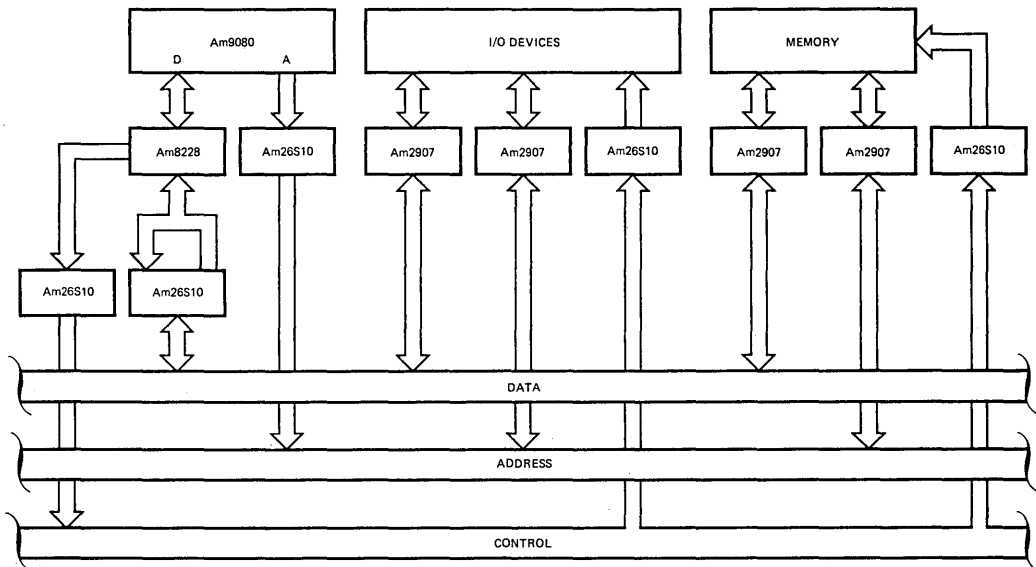
DIE SIZE 0.088" X 0.103"

APPLICATIONS



The Am2907 can be used as an I/O Bus Transceiver and Main Memory I/O Transceiver in high-speed Microprocessor Systems.

MPR-091



Using the Am2907 and Am26S10 in a terminated Bus system for the Am9080 MOS Microprocessor.

MPR-092

Am2909 • Am2911

Microprogram Sequencers

DISTINCTIVE CHARACTERISTICS

- 4-bit slice cascadable to any number of microwords
- Internal address register
- Branch input for N-way branches
- Cascadable 4-bit microprogram counter
- 4 x 4 file with stack pointer and push/pop control for nesting microsubroutines.
- Zero input for returning to the zero microcode word
- Individual OR input for each bit for branching to higher microinstructions (Am2909 only).
- Three-state outputs
- All internal registers change state on the LOW-to-HIGH transition of the clock
- Am2909 in 28-pin package
- Am2911 in 20-pin package

GENERAL DESCRIPTION

The Am2909 is a four-bit wide address controller intended for sequencing through a series of microinstructions contained in a ROM or PROM. Two Am2909's may be interconnected to generate an eight-bit address (256 words), and three may be used to generate a twelve-bit address (4K words).

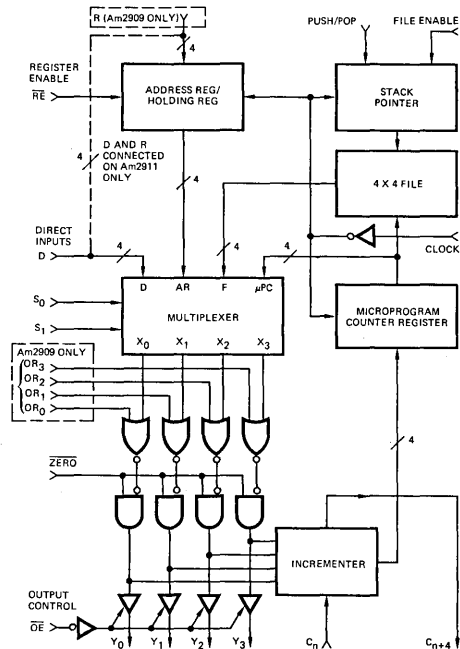
The Am2909 can select an address from any of four sources. They are: 1) a set of external direct inputs (D); 2) external data from the R inputs, stored in an internal register; 3) a four-word deep push/pop stack; or 4) a program counter register (which usually contains the last address plus one). The push/pop stack includes certain control lines so that it can efficiently execute nested subroutine linkages. Each of the four outputs can be OR'ed with an external input for conditional skip or branch instructions, and a separate line forces the outputs to all zeroes. The outputs are three-state.

The Am2911 is an identical circuit to the Am2909, except the four OR inputs are removed and the D and R inputs are tied together. The Am2911 is in a 20-pin, 0.3" centers package.

TABLE OF CONTENTS

| | |
|-----------------------------------|------------|
| Block Diagram | 2-74, 2-76 |
| Order Codes | 2-75 |
| Pin Definitions | 2-77 |
| Connection Diagrams | 2-77 |
| Screening | 2-80 |
| DC Characteristics | 2-81 |
| AC Characteristics | 2-82 |
| Using the Am2909 and Am2901 | 2-83 |
| Function Tables | 2-85 |
| Subrouting | 2-87 |

MICROPROGRAM SEQUENCER BLOCK DIAGRAM



MPR-093

ARCHITECTURE OF THE Am2909/Am2911

The Am2909/Am2911 are bipolar microprogram sequencers intended for use in high-speed microprocessor applications. The device is a cascadable 4-bit slice such that two devices allow addressing of up to 256-words of microprogram and three devices allow addressing of up to 4K words of microprogram. A detailed logic diagram is shown in Figure 2.

The device contains a four-input multiplexer that is used to select either the address register, direct inputs, microprogram counter, or file as the source of the next microinstruction address. This multiplexer is controlled by the S_0 and S_1 inputs.

The address register consists of four D-type, edge triggered flip-flops with a common clock enable. When the address register enable is LOW, new data is entered into the register on the clock LOW-to-HIGH transition. The address register is available at the multiplexer as a source for the next microinstruction address. The direct input is a four-bit field of inputs to the multiplexer and can be selected as the next microinstruction address. On the Am2911, the direct inputs are also used as inputs to the register. This allows an N-way branch where N is any word in the microcode.

The Am2909/Am2911 contains a microprogram counter (μPC) that is composed of a 4-bit incrementer followed by a 4-bit register. The incrementer has carry-in (C_n) and carry-out (C_{n+4}) such that cascading to larger word lengths is straightforward. The μPC can be used in either of two ways. When the least significant carry-in to the incrementer is HIGH, the microprogram register is loaded on the next clock cycle with the current Y output word plus one ($Y+1 \rightarrow \mu PC$.) Thus sequential microinstructions can be executed. If this least significant C_n is LOW, the incrementer passes the Y output word unmodified and the microprogram register is loaded with the same Y word on the next clock cycle ($Y \rightarrow \mu PC$). Thus, the same microinstruction can be executed any number of times by using the least significant C_n as the control.

The last source available at the multiplexer input is the 4 x 4 file (stack). The file is used to provide return address linkage

when executing microsubroutines. The file contains a built-in stack pointer (SP) which always points to the last file word written. This allows stack reference operations (looping) to be performed without a push or pop.

The stack pointer operates as an up/down counter with separate push/pop and file enable inputs. When the file enable input is LOW and the push/pop input is HIGH, the PUSH operation is enabled. This causes the stack pointer to increment and the file to be written with the required return linkage — the next microinstruction address following the subroutine jump which initiated the PUSH.

If the file enable input is LOW and the push/pop control is LOW, a POP operation occurs. This implies the usage of the return linkage during this cycle and thus a return from subroutine. The next LOW-to-HIGH clock transition causes the stack pointer to decrement. If the file enable is HIGH, no action is taken by the stack pointer regardless of any other input.

The stack pointer linkage is such that any combination of pushes, pops or stack references can be achieved. One microinstruction subroutines can be performed. Since the stack is 4 words deep, up to four microsubroutines can be nested.

The ZERO input is used to force the four outputs to the binary zero state. When the ZERO input is LOW, all Y outputs are LOW regardless of any other inputs (except OE). Each Y output bit also has a separate OR input such that a conditional logic one can be forced at each Y output. This allows jumping to different microinstructions on programmed conditions.

The Am2909/Am2911 feature three-state Y outputs. These can be particularly useful in military designs requiring external Ground Support Equipment (GSE) to provide automatic checkout of the microprocessor. The internal control can be placed in the high-impedance state, and preprogrammed sequences of microinstructions can be executed via external access to the control ROM/PROM.

ORDERING INFORMATION

Order the part number according to the table below to obtain the desired package, temperature range, and screening level.

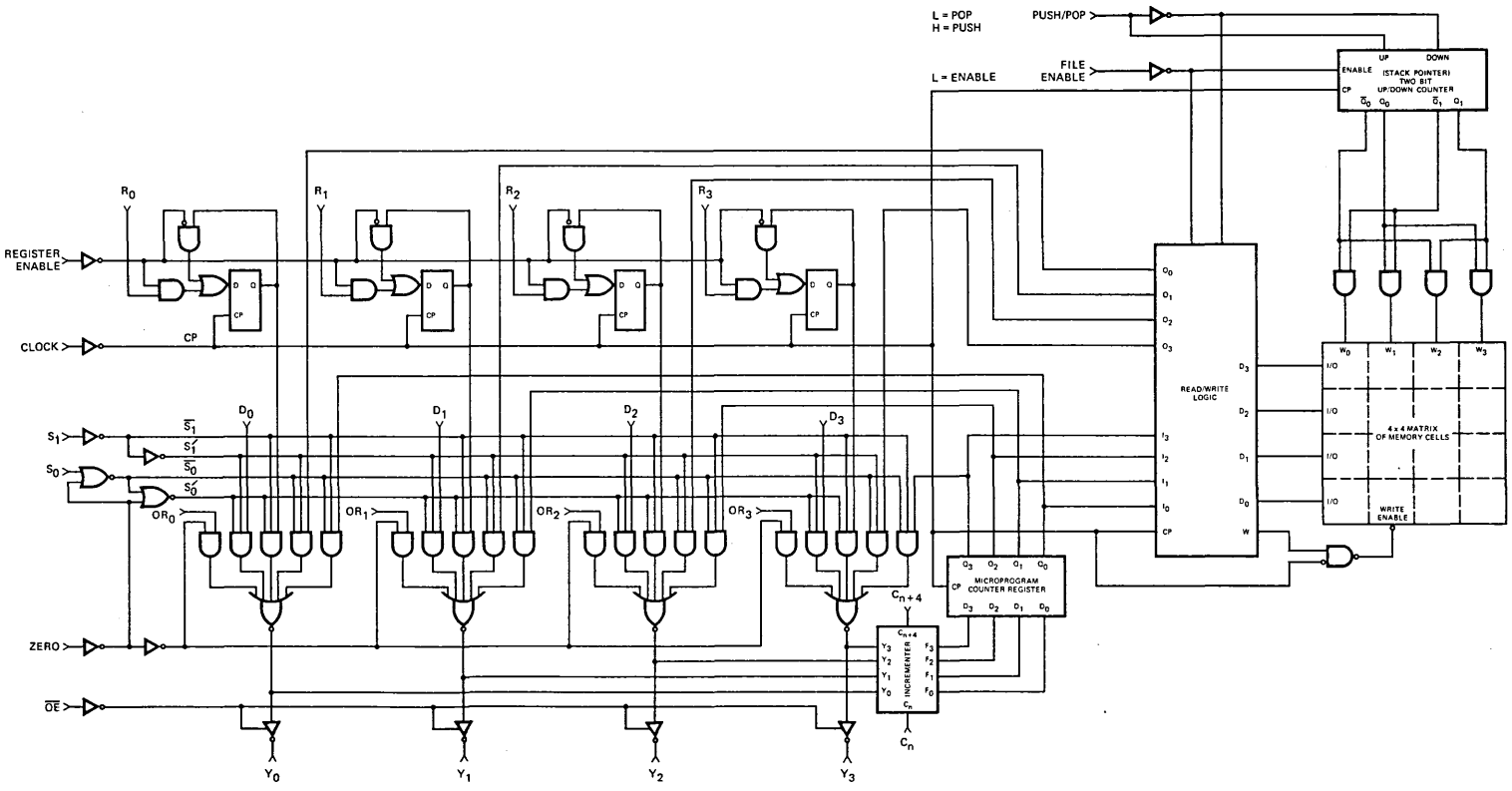
| Order Number | Package Type (Note 1) | Temperature Range (Note 2) | Screening Level (Note 3) | Order Number | Package Type (Note 1) | Temperature Range (Note 2) | Screening Level (Note 3) |
|--------------|-----------------------|----------------------------|--|--------------|-----------------------|----------------------------|--|
| AM2911PC | P-20 | C | C-1 | AM2909PC | P-28 | C | C-1 |
| AM2911DC | D-20 | C | C-1 | AM2909DC | D-28 | C | C-1 |
| AM2911DC-B | D-20 | C | B-1 | AM2909DC-B | D-28 | C | B-1 |
| AM2911DM | D-20 | M | C-3 | AM2909DM | D-28 | M | C-3 |
| AM2911DM-B | D-20 | M | B-3 | AM2909DM-B | D-28 | M | B-3 |
| | | | | AM2909FM | F-28 | M | C-3 |
| | | | | AM2909FM-B | F-28 | M | B-3 |
| AM2911XC | Dice | C | Visual inspection to MIL-STD-883 Method 2010B. | AM2909XC | Dice | C | Visual inspection to MIL-STD-883 Method 2010B. |
| AM2911XM | Dice | M | | AM2909XM | Dice | M | |

Notes: 1. P = Molded DIP, D = Hermetic DIP, F = Flat Pak. Number following letter is number of leads. See Appendix B for detailed outline. Where Appendix B contains several dash numbers, any of the variations of the package may be used unless otherwise specified.

2. C = 0°C to +70°C, M = -55°C to +125°C.

3. See Appendix A for details of screening. Levels C-1 and C-3 conform to MIL-STD-883, Class C. Level B-3 conforms to MIL-STD-883, Class B.

Figure 1.



Note: R_1 and D_1 connected together on Am2911 and OR_1 removed.

Figure 2. Microprogram Sequencer Block Diagram.

DEFINITION OF TERMS

A set of symbols is used in this data sheet to represent various internal and external registers and signals used with the Am2909. Since its principle application is as a controller for a microprogram store, it is necessary to define some signals associated with the microcode itself. Figure 3 illustrates the basic interconnection of Am2909, memory, and microinstruction register. The definitions here apply to this architecture.

Inputs to Am2909/ Am2911

- S₁, S₀** Control lines for address source selection
- \overline{FE} , PUP** Control lines for push/pop stack
- \overline{RE}** Enable line for internal address register
- OR_i** Logic OR inputs on each address output line
- \overline{ZERO}** Logic AND input on the output lines
- \overline{OE}** Output Enable. When \overline{OE} is HIGH, the Y outputs are OFF (high impedance)
- C_n** Carry-in to the incrementer
- R_i** Inputs to the internal address register
- D_i** Direct inputs to the multiplexer
- CP** Clock input to the AR and μ PC register and Push-Pop stack

Outputs from the Am2909/ Am2911

- Y_i** Address outputs from Am2909. (Address inputs to control memory.)

- C_{n+4}** Carry out from the incrementer

Internal Signals

- μ PC** Contents of the microprogram counter
- REG** Contents of the register
- STK0-STK3** Contents of the push/pop stack. By definition, the word in the four-by-four file, addressed by the stack pointer is STK0. Conceptually data is pushed into the stack at STK0; a subsequent push moves STK0 to STK1; a pop implies STK3 → STK2 → STK1 → STK0. Physically, only the stack pointer changes when a push or pop is performed. The data does not move. I/O occurs at STK0.
- SP** Contents of the stack pointer

External to the Am2909/ Am2911

- A** Address to the control memory
- I(A)** Instruction in control memory at address A
- μ WR** Contents of the microword register (at output of control memory). The microword register contains the instruction currently being executed.
- T_n** Time period (cycle) n

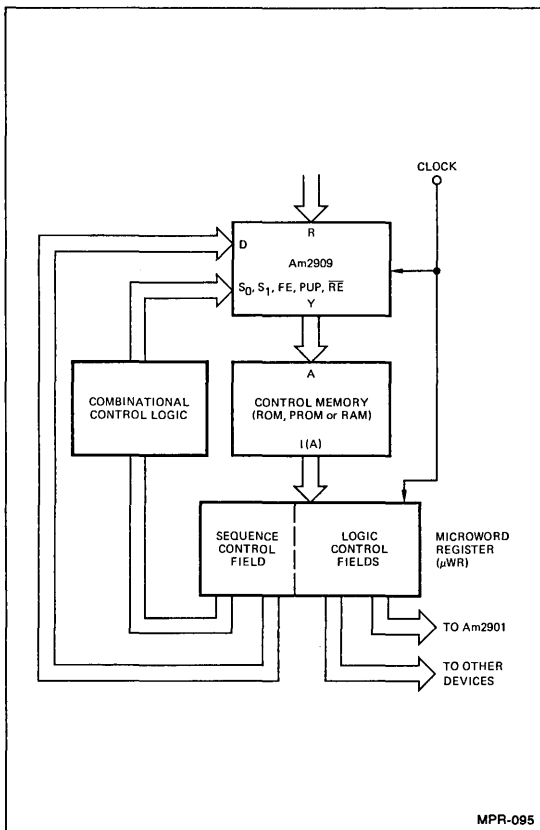


Figure 3. Microprogram Sequencer Control.

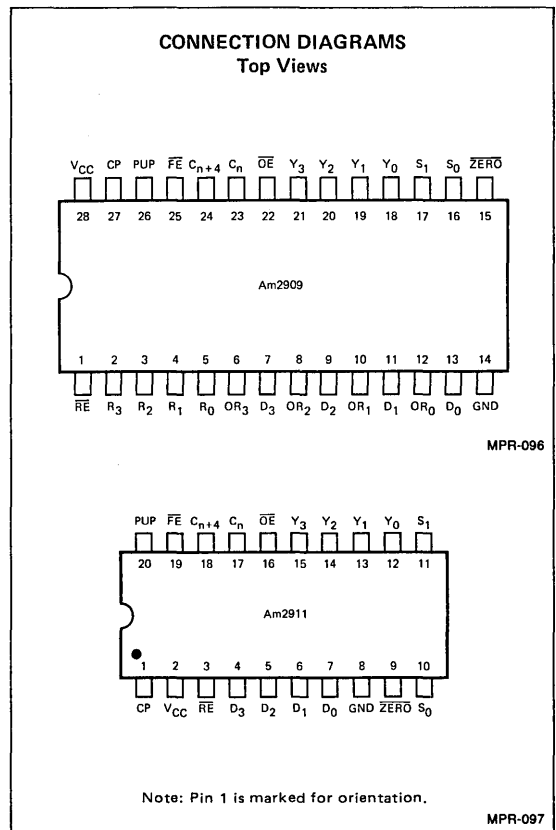


Figure 4.

OPERATION OF THE Am2909/Am2911

Figure 5 lists the select codes for the multiplexer. The two bits applied from the microword register (and additional combinational logic for branching) determine which data source contains the address for the next microinstruction. The contents of the selected source will appear on the Y outputs. Figure 5 also shows the truth table for the output control and

for the control of the push/pop stack. Figure 6 shows in detail the effect of S_0 , S_1 , \overline{FE} and PUP on the Am2909. These four signals define what address appears on the Y outputs and what the state of all the internal registers will be following the clock LOW-to-HIGH edge. In this illustration, the microprogram counter is assumed to contain initially some word J, the address register some word K, and the four words in the push/pop stack contain R_a through R_d .

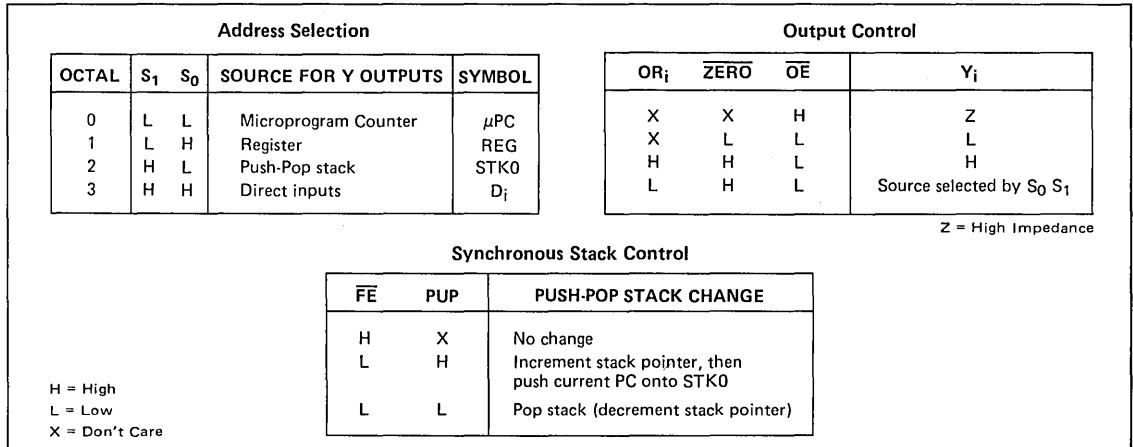


Figure 5.

| CYCLE | $S_1, S_0, \overline{FE}, PUP$ | μPC | REG | STK0 | STK1 | STK2 | STK3 | Y_{OUT} | COMMENT | PRINCIPLE USE |
|----------|--------------------------------|--------------|--------|----------------|----------------|----------------|----------------|------------|---|------------------|
| N N+1 | 0 0 0 0 — | J J+1 | K K | R_a R_b | R_b R_c | R_c R_d | R_d R_a | J — | Pop Stack | End Loop |
| N N+1 | 0 0 0 1 — | J J+1 | K K | R_a J | R_b R_a | R_c R_b | R_d R_c | J — | Push μPC | Set-up Loop |
| N N+1 | 0 0 1 X — | J J+1 | K K | R_a R_a | R_b R_b | R_c R_c | R_d R_d | J — | Continue | Continue |
| N N+1 | 0 1 0 0 — | J K+1 | K K | R_a R_b | R_b R_c | R_c R_d | R_d R_a | K — | Pop Stack; Use AR for Address | End Loop |
| N N+1 | 0 1 0 1 — | J K+1 | K K | R_a J | R_b R_a | R_c R_b | R_d R_c | K — | Push μPC ; Jump to Address in AR | JSR AR |
| N N+1 | 0 1 1 X — | J K+1 | K K | R_a R_a | R_b R_b | R_c R_c | R_d R_d | K — | Jump to Address in AR | JMP AR |
| N N+1 | 1 0 0 0 — | J R_a+1 | K K | R_a R_b | R_b R_c | R_c R_d | R_d R_a | R_a — | Jump to Address in STK0; Pop Stack | RTS |
| N N+1 | 1 0 0 1 — | J R_a+1 | K K | R_a J | R_b R_a | R_c R_b | R_d R_c | R_a — | Jump to Address in STK0; Push μPC | |
| N N+1 | 1 0 1 X — | J R_a+1 | K K | R_a R_a | R_b R_b | R_c R_c | R_d R_d | R_a — | Jump to Address in STK0 | Stack Ref (Loop) |
| N N+1 | 1 1 0 0 — | J D+1 | K K | R_a R_b | R_b R_c | R_c R_d | R_d R_a | D — | Pop Stack; Jump to Address on D | End Loop |
| N N+1 | 1 1 0 1 — | J D+1 | K K | R_a J | R_b R_a | R_c R_b | R_d R_c | D — | Jump to Address on D; Push μPC | JSR D |
| N N+1 | 1 1 1 X — | J D+1 | K K | R_a R_a | R_b R_b | R_c R_c | R_d R_d | D — | Jump to Address on D | JMP D |

X = Don't care, 0 = LOW, 1 = HIGH, Assume $C_n = HIGH$
Note: STK0 is the location addressed by the stack pointer.

Figure 6. Output and Internal Next-Cycle Register States for Am2909/Am2911.

Figure 7 illustrates the execution of a subroutine using the Am2909. The configuration of Figure 3 is assumed. The instruction being executed at any given time is the one contained in the microword register (μ WR). The contents of the μ WR also controls (indirectly, perhaps) the four signals S_0 , S_1 , \overline{FE} , and PUP. The starting address of the subroutine is applied to the D inputs of the Am2909 at the appropriate time.

In the columns on the left is the sequence of microinstructions to be executed. At address J+2, the sequence control portion of the microinstruction contains the command "Jump to sub-

routine at A'". At the time T_2 , this instruction is in the μ WR, and the Am2909 inputs are set-up to execute the jump and save the return address. The subroutine address A is applied to the D inputs from the μ WR and appears on the Y outputs. The first instruction of the subroutine, I(A), is accessed and is at the inputs of the μ WR. On the next clock transition, I(A) is loaded into the μ WR for execution, and the return address J+3 is pushed onto the stack. The return instruction is executed at T_5 . Figure 8 is a similar timing chart showing one subroutine linking to a second, the latter consisting of only one microinstruction.

| CONTROL MEMORY | | |
|----------------|--------------|-----------------------|
| Execute Cycle | Microprogram | |
| | Address | Sequencer Instruction |
| T_0 | J-1 | - |
| T_1 | J | - |
| T_2 | J+1 | - |
| T_6 | J+2 | JSR A |
| T_7 | J+3 | - |
| | J+4 | - |
| | - | - |
| | - | - |
| | - | - |
| | - | - |
| T_3 | A | I(A) |
| T_4 | A+1 | - |
| T_5 | A+2 | RTS |
| | - | - |
| | - | - |
| | - | - |
| | - | - |
| | - | - |

| Execute Cycle | | T_0 | T_1 | T_2 | T_3 | T_4 | T_5 | T_6 | T_7 | T_8 | T_9 | |
|---|-----------------|--------|--------|-------|--------|--------|--------|--------|--------|-------|-------|--|
| Clock | | | | | | | | | | | | |
| Signals | | | | | | | | | | | | |
| Am2909 Inputs (from μ WR) | S_1, S_0 | 0 | 0 | 3 | 0 | 0 | 2 | 0 | 0 | | | |
| | \overline{FE} | H | H | L | H | H | L | H | H | | | |
| | PUP | X | X | H | X | X | L | X | X | | | |
| | D | X | X | A | X | X | X | X | X | | | |
| Internal Registers | μ PC | J+1 | J+2 | J+3 | A+1 | A+2 | A+3 | J+4 | J+5 | | | |
| | STK0 | - | - | - | J+3 | J+3 | J+3 | - | - | | | |
| | STK1 | - | - | - | - | - | - | - | - | | | |
| | STK2 | - | - | - | - | - | - | - | - | | | |
| | STK3 | - | - | - | - | - | - | - | - | | | |
| Am2909 Output | Y | J+1 | J+2 | A | A+1 | A+2 | J+3 | J+4 | J+5 | | | |
| ROM Output | (Y) | I(J+1) | JSR A | I(A) | I(A+1) | RTS | I(J+3) | I(J+4) | I(J+5) | | | |
| Contents of μ WR (Instruction being executed) | μ WR | I(J) | I(J+1) | JSR A | I(A) | I(A+1) | RTS | I(J+3) | I(J+4) | | | |

Figure 7. Subroutine Execution.

$C_n = \text{HIGH}$

| CONTROL MEMORY | | |
|----------------|--------------|-----------------------|
| Execute Cycle | Microprogram | |
| | Address | Sequencer Instruction |
| T_0 | J-1 | - |
| T_1 | J | - |
| T_2 | J+1 | - |
| T_6 | J+2 | JSR A |
| T_9 | J+3 | - |
| | - | - |
| | - | - |
| | - | - |
| T_3 | A | - |
| T_4 | A+1 | - |
| T_5 | A+2 | JSR B |
| T_7 | A+3 | - |
| T_8 | A+4 | RTS |
| | - | - |
| | - | - |
| | - | - |
| T_6 | B | RTS |
| | - | - |
| | - | - |

| Execute Cycle | | T_0 | T_1 | T_2 | T_3 | T_4 | T_5 | T_6 | T_7 | T_8 | T_9 | |
|---|-----------------|--------|--------|-------|--------|--------|-------|--------|--------|--------|--------|--|
| Clock | | | | | | | | | | | | |
| Signals | | | | | | | | | | | | |
| Am2909 Inputs (from μ WR) | S_1, S_0 | 0 | 0 | 3 | 0 | 0 | 3 | 2 | 0 | 2 | 0 | |
| | \overline{FE} | H | H | L | H | H | L | L | H | L | H | |
| | PUP | X | X | H | X | X | H | L | X | L | X | |
| | D | X | X | A | X | X | B | X | X | X | X | |
| Internal Registers | μ PC | J+1 | J+2 | J+3 | A+1 | A+2 | A+3 | B+1 | A+4 | A+5 | J+4 | |
| | STK0 | - | - | - | J+3 | J+3 | J+3 | A+3 | J+3 | J+3 | - | |
| | STK1 | - | - | - | - | - | - | J+3 | - | - | - | |
| | STK2 | - | - | - | - | - | - | - | - | - | - | |
| | STK3 | - | - | - | - | - | - | - | - | - | - | |
| Am2909 Output | Y | J+1 | J+2 | A | A+1 | A+2 | B | A+3 | A+4 | J+3 | J+4 | |
| ROM Output | (Y) | I(J+1) | JSR A | I(A) | I(A+1) | JSR B | RTS | I(A+3) | RTS | I(J+3) | I(J+4) | |
| Contents of μ WR (Instruction being executed) | μ WR | I(J) | I(J+1) | JSR A | I(A) | I(A+1) | JSR B | RTS | I(A+3) | RTS | I(J+3) | |

Figure 8. Two Nested Subroutines. Routine B is Only One Instruction.

$C_n = \text{HIGH}$

MAXIMUM RATINGS (Above which the useful life may be impaired)

| | |
|---|---------------------------------|
| Storage Temperature | -65°C to +150°C |
| Temperature (Ambient) Under Bias | -55°C to +125°C |
| Supply Voltage to Ground Potential | -0.5 V to +7.0 V |
| DC Voltage Applied to Outputs for HIGH Output State | -0.5 V to +V _{CC} max. |
| DC Input Voltage | -0.5 V to +7.0 V |
| DC Output Current, Into Outputs | 30 mA |
| DC Input Current | -30 mA to +5.0 mA |

OPERATING RANGE

| P/N | Ambient Temperature | V _{CC} |
|-------------------|---------------------|------------------|
| Am2909/2911DC, PC | 0°C to +70°C | 4.75 V to 5.25 V |
| Am2909/2911DM, FM | -55°C to +125°C | 4.50 V to 5.50 V |

STANDARD SCREENING
(Conforms to MIL-STD-883 for Class C Parts)

| Step | MIL-STD-883 Method | Conditions | Level | |
|--|--------------------|---|---------------------|---------------------|
| | | | Am2909/Am2911PC, DC | Am2909/Am2911DM, FM |
| Pre-Seal Visual Inspection | 2010 | B | 100% | 100% |
| Stabilization Bake | 1008 | C 24-hour 150°C | 100% | 100% |
| Temperature Cycle | 1010 | C -65°C to +150°C 10 cycles | 100% | 100% |
| Centrifuge | 2001 | B 10,000 G | 100% * | 100% |
| Fine Leak | 1014 | A 5 x 10 ⁻⁸ atm-cc/sec | 100% * | 100% |
| Gross Leak | 1014 | C2 Fluorocarbon | 100% * | 100% |
| Electrical Test Subgroups 1 and 7 | 5004 | See below for definitions of subgroups | 100% | 100% |
| Insert Additional Screening here for Class B Parts | | | | |
| Group A Sample Tests | | | | |
| Subgroup 1 | | | LTPD = 5 | LTPD = 5 |
| Subgroup 2 | | | LTPD = 7 | LTPD = 7 |
| Subgroup 3 | | | LTPD = 7 | LTPD = 7 |
| Subgroup 7 | | | LTPD = 7 | LTPD = 7 |
| Subgroup 8 | | | LTPD = 7 | LTPD = 7 |
| Subgroup 9 | | | LTPD = 7 | LTPD = 7 |
| | 5005 | See below for definitions of subgroups | | |

*Not applicable for Am2909PC or Am2911PC.

ADDITIONAL SCREENING FOR CLASS B PARTS

| Step | MIL-STD-883 Method | Conditions | Level |
|---|--------------------|------------------------------|--------------------------------------|
| | | | Am2909/Am2911DMB, FMB |
| Burn-In | 1015 | D 125°C 160 hours min. | 100% |
| Electrical Test Subgroup 1 Subgroup 2 Subgroup 3 Subgroup 7 Subgroup 9 | 5004 | | 100% 100% 100% 100% 100% |
| Return to Group A Tests in Standard Screening | | | |

GROUP A SUBGROUPS
(as defined in MIL-STD-883, method 5005)

| Subgroup | Parameter | Temperature |
|----------|-----------|---------------------------------------|
| 1 | DC | 25°C |
| 2 | DC | Maximum rated temperature |
| 3 | DC | Minimum rated temperature |
| 7 | Function | 25°C |
| 8 | Function | Maximum and minimum rated temperature |
| 9 | Switching | 25°C |
| 10 | Switching | Maximum Rated Temperature |
| 11 | Switching | Minimum Rated Temperature |

ELECTRICAL CHARACTERISTICS OVER OPERATING RANGE (Unless Otherwise Noted)

| Parameters | Description | Test Conditions (Note 1) | | Min. | Typ. (Note 2) | Max. | Units | |
|------------|---------------------------------------|--|------------------------|--------------|------------------|-------|-------|----|
| VOH | Output HIGH Voltage | VCC = MIN., VIN = VIH or VIL | MIL | IOH = -1.0mA | 2.4 | | Volts | |
| | | | COM'L | IOH = -2.6mA | 2.4 | | | |
| VOL | Output LOW Voltage | VCC = MIN., VIN = VIH or VIL | IOL = 4.0mA | | | 0.4 | Volts | |
| | | | IOL = 8.0mA | | | 0.45 | | |
| | | | IOL = 12mA (Note 5) | | | 0.5 | | |
| VIH | Input HIGH Level | Guaranteed input logical HIGH voltage for all inputs | | | 2.0 | | Volts | |
| VIL | Input LOW Level | Guaranteed input logical LOW voltage for all inputs | | MIL | | 0.7 | Volts | |
| | | | | COM'L | | 0.8 | | |
| VI | Input Clamp Voltage | VCC = MIN., IIN = -18mA | | | | -1.5 | Volts | |
| IIL | Input LOW Current | VCC = MAX., VIN = 0.4V | Cn | | | -1.08 | mA | |
| | | | Push/Pop, OE | | | -0.72 | | |
| | | | Others (Note 6) | | | -0.36 | | |
| IIH | Input HIGH Current | VCC = MAX., VIN = 2.7V | Cn | | | 40 | µA | |
| | | | Push/Pop | | | 40 | | |
| | | | Others (Note 6) | | | 20 | | |
| II | Input HIGH Current | VCC = MAX., VIN = 7.0V | Cn, Push/Pop | | | 0.2 | mA | |
| | | | Others (Note 6) | | | 0.1 | | |
| IOS | Output Short Circuit Current (Note 3) | VCC = MAX. | Y0 - Y3 | | -30 | -100 | mA | |
| | | | Cn + 4 | | -30 | -85 | | |
| ICC | Power Supply Current | VCC = MAX. (Note 4) | | | | 80 | 130 | mA |
| IOZL | Output OFF Current | VCC = MAX., OE = 2.7V | VOUT = 0.4V | | | -20 | µA | |
| IOZH | | | VOUT = 2.7V | | | 20 | | |

- Notes: 1. For conditions shown as MIN. or MAX., use the appropriate value specified under Electrical Characteristics for the applicable device type.
 2. Typical limits are at VCC = 5.0V, 25°C ambient and maximum loading.
 3. Not more than one output should be shorted at a time. Duration of the short circuit test should not exceed one second.
 4. Apply GND to Cn, R0, R1, R2, R3, OR0, OR1, OR2, OR3, D0, D1, D2, and D3. Other inputs open. All outputs open. Measured after a LOW-to-HIGH clock transition.
 5. The 12mA guarantee applies only to Y0, Y1, Y2 and Y3.
 6. For the Am2911, D1 and R1 are internally connected. Loading is doubled (to same values as Push/Pop).

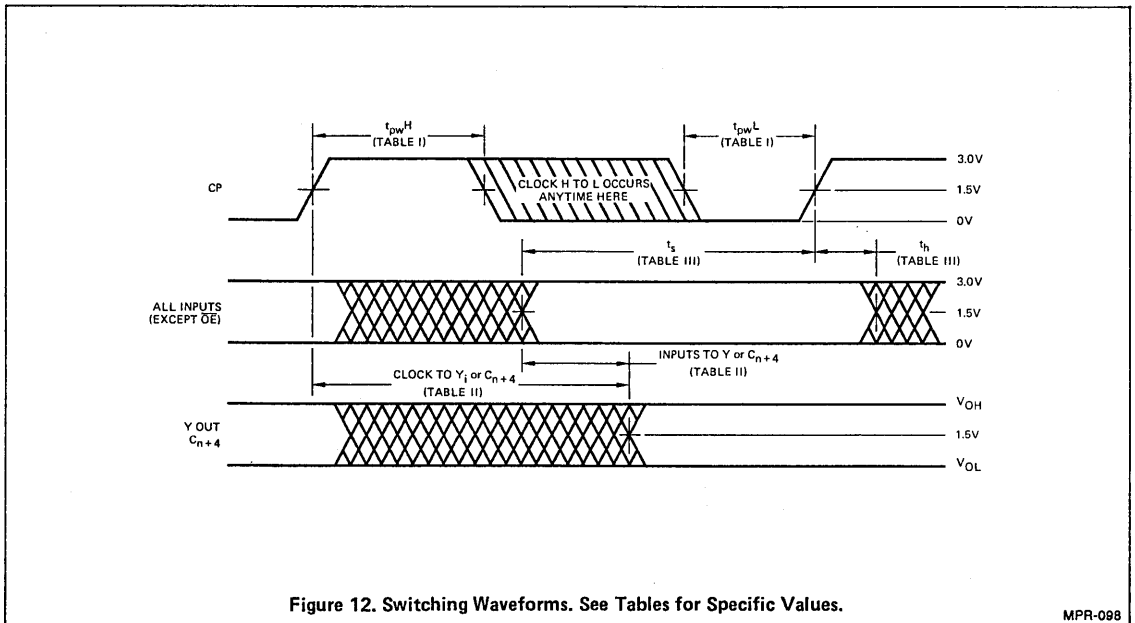


Figure 12. Switching Waveforms. See Tables for Specific Values.

MPR-098

**SWITCHING CHARACTERISTICS
OVER OPERATING RANGE**

Tables I, II, and III below define the timing characteristics of the Am2909 and Am2911 over the operating voltage and temperature range. The tables are divided into three types of parameters; clock characteristics, combinational delays from inputs to outputs, and set-up and hold time requirements. The latter table defines the time prior to the end of the cycle (i.e., clock LOW-to-HIGH transition) that each input must be stable to guarantee that the correct data is written into one of the internal registers.

Measurements are made at 1.5V with $V_{IL} = 0V$ and $V_{IH} = 3.0V$. For three-state disable tests, $C_L = 5.0pF$ and measurement is to 0.5V change on output voltage level.

**TABLE I
CYCLE TIME AND CLOCK CHARACTERISTICS**

| TIME | COMMERCIAL | MILITARY |
|-------------------------|------------|----------|
| Minimum Clock LOW Time | 30 | 35 |
| Minimum Clock HIGH Time | 30 | 35 |

| Operating Range | Part Numbers | Power Supply | Temperature Range |
|-----------------|------------------------------|--------------|---|
| Commercial | Am2909PC, DC Am2911PC, DC | 5.0V ± 5% | $T_A = 0^{\circ}C$ to $+70^{\circ}C$ |
| Military | Am2909DM, FM Am2911DM | 5.0V ± 10% | $T_C = -55^{\circ}C$ to $+125^{\circ}C$ |

**TABLE III
GUARANTEED SET-UP AND HOLD TIMES (all in ns) (Note 1)**

| From Input | Notes | COMMERCIAL | | MILITARY | |
|-------------------|-------|-------------|-----------|-------------|-----------|
| | | Set-Up Time | Hold Time | Set-Up Time | Hold Time |
| \overline{RE} | | 22 | 5 | 22 | 5 |
| R_i | 2 | 10 | 5 | 12 | 5 |
| PUSH/POP | | 26 | 6 | 30 | 7 |
| \overline{FE} | | 26 | 5 | 30 | 5 |
| C_n | | 28 | 5 | 30 | 5 |
| D_i | 2 | 30 | 0 | 35 | 3 |
| OR_i | | 30 | 0 | 35 | 3 |
| S_0, S_1 | | 45 | 0 | 50 | 0 |
| \overline{ZERO} | | 45 | 0 | 50 | 0 |

Notes: 1. All times relative to clock LOW-to-HIGH transition.

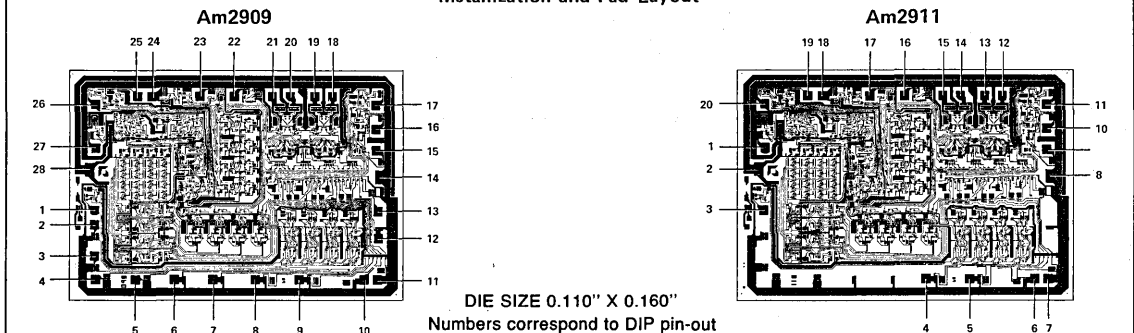
2. On Am2911, R_i and D_i are internally connected together and labeled D_i . Use R_i set-up and hold times when D inputs are used to load register.

TABLE II

MAXIMUM COMBINATIONAL PROPAGATION DELAYS
(all in ns, $C_L = 50pF$ (except output disable tests))

| From Input | COMMERCIAL | | MILITARY | |
|--------------------------------|------------|-----------|----------|-----------|
| | Y | C_{n+4} | Y | C_{n+4} |
| D_i | 17 | 30 | 20 | 32 |
| S_0, S_1 | 30 | 48 | 40 | 50 |
| OR_i | 17 | 30 | 20 | 32 |
| C_n | — | 14 | — | 16 |
| \overline{ZERO} | 30 | 48 | 40 | 50 |
| \overline{OE} LOW (enable) | 25 | — | 25 | — |
| \overline{OE} HIGH (disable) | 25 | — | 25 | — |
| Clock ↑ $S_1S_0 = LH$ | 43 | 55 | 50 | 62 |
| Clock ↑ $S_1S_0 = LL$ | 43 | 55 | 50 | 62 |
| Clock ↑ $S_1S_0 = HL$ | 80 | 95 | 90 | 102 |

Metallization and Pad Layout



USING THE Am2909 AND Am2911

The Am2909 and Am2911 are four-bit slice sequencers which are cascaded to form a microprogram memory address generator. Both products make available to the user several lines which are used to directly control the internal holding register, multiplexer and stack. By appropriate control of these lines, the user can implement any desired set of sequence control functions; by cascading parts he can generate any desired address length. These two qualities set the Am2909 and Am2911 apart from the Am2910, which is architecturally similar, but is fixed at 12 bits in length and has a fixed set of 16 sequence control instructions. The Am2909 or Am2911 should be selected instead of the Am2910 under the following conditions:

- Address less than 8 bits and not likely to be expanded
- Address longer than 12 bits

- More complex instruction set needed than is available on Am2910

Architecture of the Control Unit

The recommended architecture using the Am2909 or Am2911 is shown in Figure 1. Note that the path from the pipeline register output through the next address logic, multiplexer, and microprogram memory is all combinational. The pipeline register contains the current microinstruction being executed. A portion of that microinstruction consists of a sequence control command such as "continue", "loop", "return-from-subroutine", etc. The bits representing this sequence command are logically combined with bits representing such things as test conditions and system state to generate the required control signals to the Am2909 or Am2911. The block labeled "next address logic" may consist of simple gates, a PROM or a PLA, but it should be all combinational.

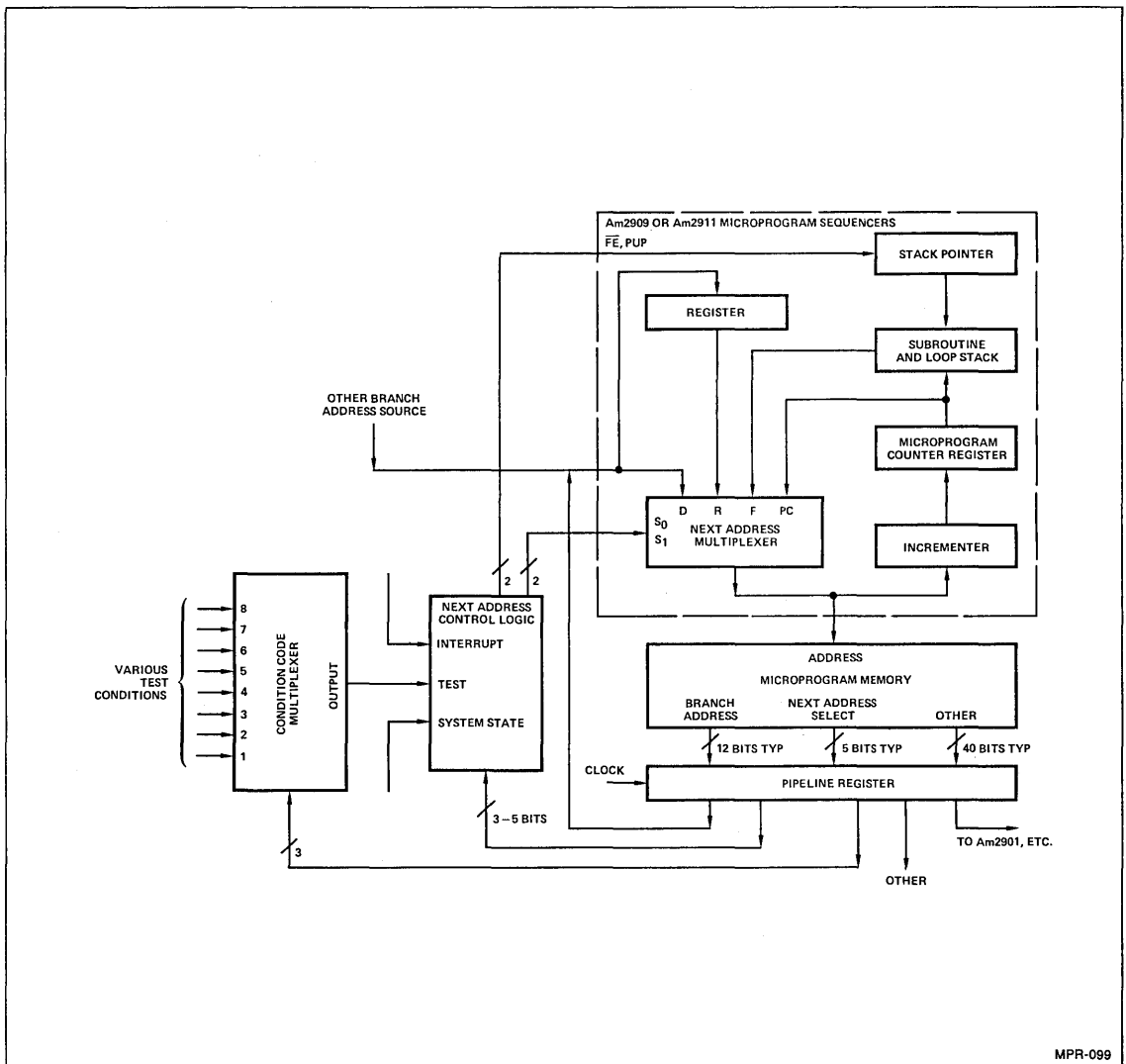


Figure 1. Recommended Computer Control Unit Architecture Using the Am2911 or Am2909.

The Am29811A is a combinational circuit which implements 16 sequence control instructions; it may be used with either an Am2909 or an Am2911. The set of instructions is nearly identical to that implemented internally in the Am2910.

also controls a loop counter and several branch address sources. The instructions which are implemented by the Am29811A are shown in Figure 3, along with the Am29811A outputs for each instruction. Generating any instruction set consists simply of writing a truth table and designing combinational logic to implement it. For more detailed information refer to "The Microprogramming Handbook".

Figure 2 shows the CCU of Figure 1 with the Am29811A in place. The Am29811A, in addition to controlling the Am2911,

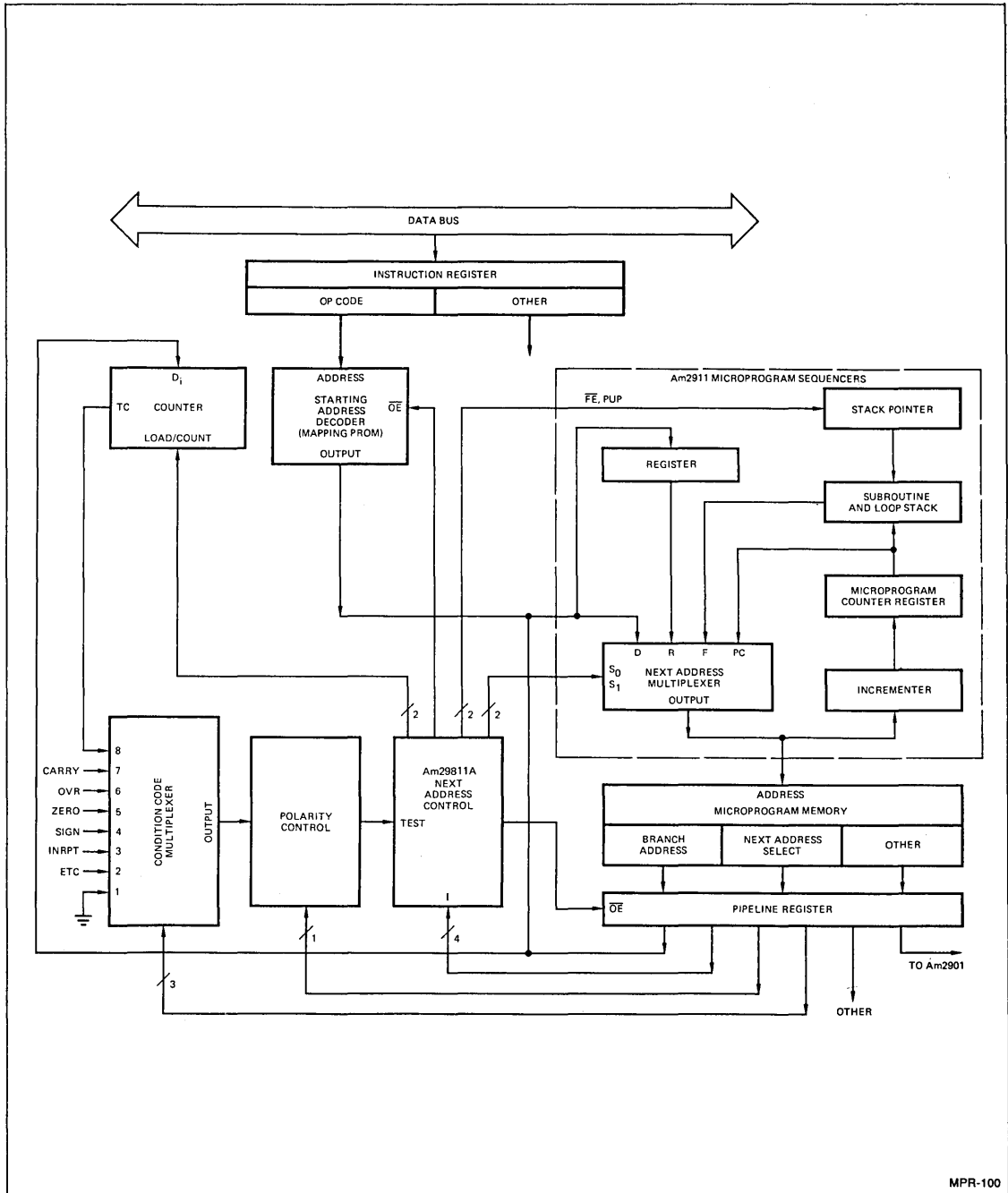


Figure 2. A typical Computer Control Unit Using the Am2911 and Am29811A.

Am29811A FUNCTION TABLE

| MNEMONIC | INPUTS | | | | OUTPUTS | | | | | | |
|----------|----------------|----------------|----------------|----------------|-----------------------|------------|------------------|------|---------|-------|------|
| | I ₃ | I ₂ | I ₁ | I ₀ | FUNCTION | TEST INPUT | NEXT ADDR SOURCE | FILE | COUNTER | MAP-E | PL-E |
| JZ | L | L | L | L | JUMP ZERO | X | D | HOLD | L L* | H | L |
| CJS | L | L | L | H | COND JSB PL | L | PC | HOLD | HOLD | H | L |
| | | | | | | H | D | PUSH | HOLD | H | L |
| JMAP | L | L | H | L | JUMP MAP | X | D | HOLD | HOLD | L | H |
| CJP | L | L | H | H | COND JUMP PL | L | PC | HOLD | HOLD | H | L |
| | | | | | | H | D | PUSH | HOLD | H | L |
| PUSH | L | H | L | L | PUSH/COND LD CNTR | L | PC | PUSH | HOLD | H | L |
| | | | | | | H | PC | PUSH | LOAD | H | L |
| JSRP | L | H | L | H | COND JSB R/PL | L | R | PUSH | HOLD | H | L |
| | | | | | | H | D | PUSH | HOLD | H | L |
| CJV | L | H | H | L | COND JUMP VECTOR | L | PC | HOLD | HOLD | H | H |
| | | | | | | H | D | HOLD | HOLD | H | H |
| JRP | L | H | H | H | COND JUMP R/PL | L | R | HOLD | HOLD | H | L |
| | | | | | | H | D | HOLD | HOLD | H | L |
| RFCT | H | L | L | L | REPEAT LOOP, CNTR ≠ 0 | L | F | HOLD | DEC | H | L |
| | | | | | | H | PC | POP | HOLD | H | L |
| RPCT | H | L | L | H | REPEAT PL, CNTR ≠ 0 | L | D | HOLD | DEC | H | L |
| | | | | | | H | PC | HOLD | HOLD | H | L |
| CRTN | H | L | H | L | COND RTN | L | PC | HOLD | HOLD | H | L |
| | | | | | | H | F | POP | HOLD | H | L |
| CJPP | H | L | H | H | COND JUMP PL & POP | L | PC | HOLD | HOLD | H | L |
| | | | | | | H | D | POP | HOLD | H | L |
| LDCT | H | H | L | L | LOAD CNTR & CONTINUE | X | PC | HOLD | LOAD | H | L |
| LOOP | H | H | L | H | TEST END LOOP | L | F | HOLD | HOLD | H | L |
| | | | | | | H | PC | HOLD | HOLD | H | L |
| CONT | H | H | H | L | CONTINUE | X | PC | HOLD | HOLD | H | L |
| JP | H | H | H | H | JUMP PL | X | D | HOLD | HOLD | H | L |

L = LOW
 H = HIGH
 X = Don't Care
 DEC = Decrement
 *LL = Special Case

Am29811A TRUTH TABLE

| MNEMONIC | FUNCTION | INPUTS | | | | | OUTPUTS | | | | | | | | |
|----------|----------------------|----------------|----------------|----------------|----------------|------|------------------|----------------|------|-----|---------|----|-----|-------|------|
| | | | | | | TEST | NEXT ADDR SOURCE | | FILE | | COUNTER | | | MAP-E | PL-E |
| | | I ₃ | I ₂ | I ₁ | I ₀ | TEST | S ₁ | S ₀ | EE | PUP | LOAD | EN | MAP | PL-E | |
| PIN NO. | | 14 | 13 | 12 | 11 | 10 | 4 | 5 | 3 | 2 | 6 | 7 | 1 | 9 | |
| JZ | JUMP ZERO | L | L | L | L | L | H | H | H | H | L | L | H | L | |
| | | L | L | L | L | H | H | H | H | H | L | L | H | L | |
| CJS | COND JSB PL | L | L | L | H | L | L | L | H | H | H | H | H | L | |
| | | L | L | L | H | H | H | H | L | H | H | H | H | L | |
| JMAP | JUMP MAP | L | L | H | L | L | H | H | H | H | H | H | L | H | |
| | | L | L | H | L | H | H | H | H | H | H | H | L | H | |
| CJP | COND JUMP PL | L | L | H | H | L | L | L | H | H | H | H | H | L | |
| | | L | L | H | H | H | H | H | H | H | H | H | H | L | |
| PUSH | PUSH/COND LD CNTR | L | H | L | L | L | L | L | L | H | H | H | H | L | |
| | | L | H | L | L | H | L | L | L | H | L | H | H | L | |
| JSRP | COND JSB R/PL | L | H | L | H | L | L | H | L | H | H | H | H | L | |
| | | L | H | L | H | H | H | H | L | H | H | H | H | L | |
| CJV | COND JUMP VECTOR | L | H | H | L | L | L | L | H | H | H | H | H | H | |
| | | L | H | H | L | H | H | H | H | H | H | H | H | H | |
| JRP | COND JUMP R/PL | L | H | H | H | L | L | H | H | H | H | H | H | L | |
| | | L | H | H | H | H | H | H | H | H | H | H | H | L | |
| RFCT | REPEAT LOOP, CTR ≠ 0 | H | L | L | L | L | H | L | H | L | H | L | H | L | |
| | | H | L | L | L | H | L | L | L | L | H | H | H | L | |
| RPCT | REPEAT PL, CTR ≠ 0 | H | L | L | H | L | H | H | H | H | H | L | H | L | |
| | | H | L | L | H | H | L | L | H | H | H | H | H | L | |
| CRTN | COND RTN | H | L | H | L | L | L | L | H | L | H | H | H | L | |
| | | H | L | H | L | H | H | L | L | L | H | H | H | L | |
| CJPP | COND JUMP PL & POP | H | L | H | H | L | L | L | H | L | H | H | H | L | |
| | | H | L | H | H | H | H | H | L | L | H | H | H | L | |
| LDCT | LD CNTR & CONTINUE | H | H | L | L | L | L | L | H | H | L | H | H | L | |
| | | H | H | L | L | H | L | L | H | H | L | H | H | L | |
| LOOP | TEST END LOOP | H | H | L | H | L | H | L | H | L | H | H | H | L | |
| | | H | H | L | H | H | L | L | L | L | H | H | H | L | |
| CONT | CONTINUE | H | H | H | L | L | L | L | H | H | H | H | H | L | |
| | | H | H | H | L | H | L | L | H | H | H | H | H | L | |
| JP | JUMP PL | H | H | H | H | L | H | H | H | H | H | H | H | L | |
| | | H | H | H | H | H | H | H | H | H | H | H | H | L | |

L = LOW
 H = HIGH

Figure 3.

Expansion of the Am2909 or Am2911

Figure 4 shows the interconnection of three Am2911's to form a 12-bit sequencer. Note that the only interconnection between packages, other than the common clock and control lines, is the ripple carry between μ PC incrementors. This carry path is not in the critical speed path if the Am2911 Y outputs drive the microprogram memory, because the ripple carry occurs in parallel with the memory access time. If, on the other hand, a micro-address register is placed at the Am2911 output, then the carry may lie in the critical speed path, since the last carry-in must be stable for a set-up time prior to the clock.

Selecting Between the Am2909 and Am2911

The difference between the Am2909 and the Am2911 involves two signals: the data inputs to the holding register

and the "OR" inputs. In the Am2909, separate four-bit fields are provided for the holding register and the direct branch inputs to the multiplexer. In the Am2911, these fields are internally tied together. This may affect the design of the branch address system, as shown in Figure 5. Using the Am2909, the register inputs may be connected directly to the microprogram memory; the internal register replaces part of the pipeline register. The direct (D) inputs may be tied to the mapping logic which translates instruction op codes into microprogram addresses. While the same technique might be used with the Am2911, it is more common to connect the Am2911's D inputs to a branch address bus onto which various sources may be enabled. Shown in Figure 5 is a pipeline register and a mapping ROM. Other sources might also be applied to the same bus. The internal register is used only for temporary storage of some previous branch address.

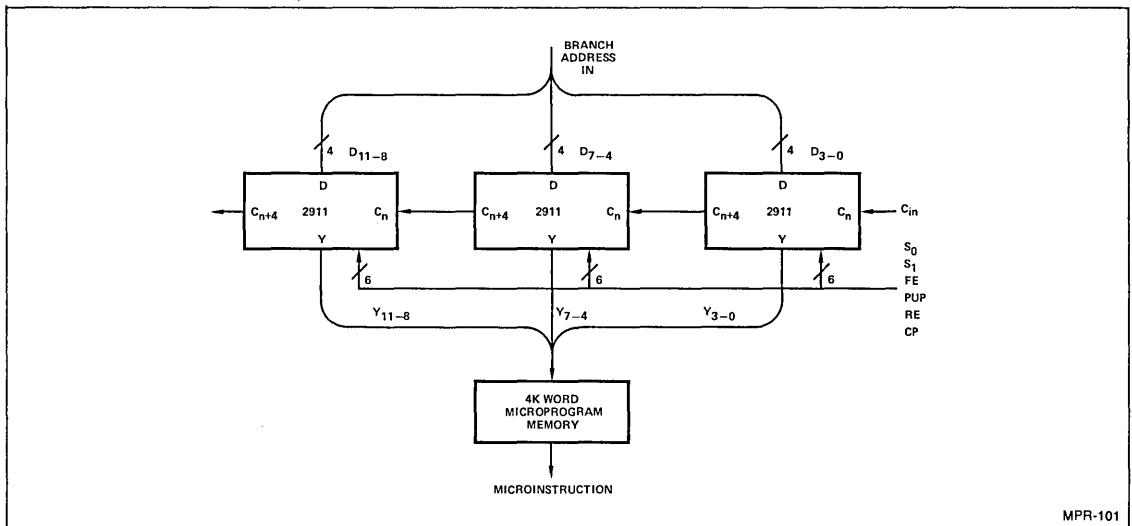


Figure 4. Twelve Bit Sequencer.

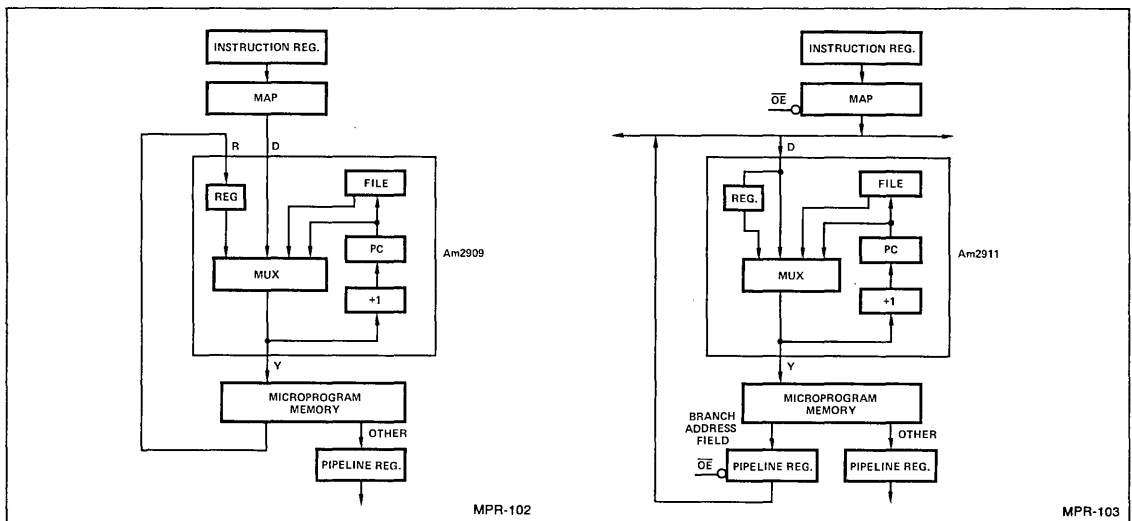


Figure 5. Branch Address Structures.

The second difference between the Am2909 and Am2911 is that the Am2909 has OR inputs available on each address output line. These pins can be used to generate multi-way single-cycle branches by simply tying several test conditions into the OR lines. See Figure 6. Typically, a branch is taken to an address with zeroes in the least significant bits. These bits are replaced with 1's or 0's by test conditions applied to the OR lines. In Figure 6, the states of the two test conditions X and Y result in a branch to 1100, 1101, 1110, or 1111.

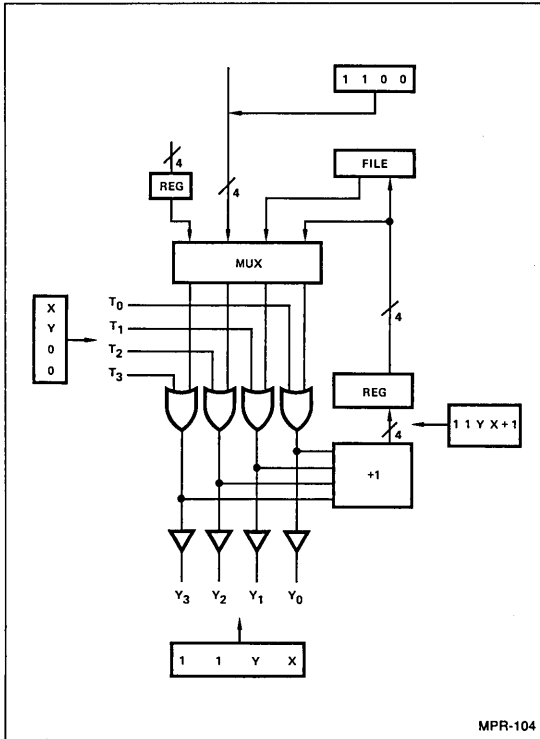


Figure 6. Use of OR Inputs to Obtain 4 - Way Branch.

The Am29803A has been designed to selectively apply any or all of four different test conditions to an Am2909. Figure 7 shows the truth table for this device. A nice trade off between flexibility and board space is achieved by using a single 28-pin Am2909 for the least significant four bits of a sequencer, and using the space-saving 20-pin Am2911's for the remainder of the bits. A detailed logic design for such a system is contained in The Microprogramming Handbook.

How to Perform Some Common Functions with the Am2909 or Am2911

1. CONTINUE

| MUX/Y _{OUT} | STACK | C _n | S ₁ | S ₀ | \overline{FE} | PUP |
|----------------------|-------|----------------|----------------|----------------|-----------------|-----|
| PC | HOLD | 1 | 0 | 0 | 1 | X |

Contents of PC placed on Y outputs; PC incremented.

2. BRANCH

| MUX/Y _{OUT} | STACK | C _n | S ₁ | S ₀ | \overline{FE} | PUP |
|----------------------|-------|----------------|----------------|----------------|-----------------|-----|
| D | HOLD | 1 | 1 | 1 | 1 | X |

Feed data on D inputs straight through to memory address lines. Increment address and place in PC.

3. JUMP-TO-SUBROUTINE

| MUX/Y _{OUT} | STACK | C _n | S ₁ | S ₀ | \overline{FE} | PUP |
|----------------------|-------|----------------|----------------|----------------|-----------------|-----|
| D | PUSH | 1 | 1 | 1 | 0 | 1 |

Sub-routine address fed from D inputs to memory address. Current PC is pushed onto stack, where it is saved for the return.

4. RETURN-FROM-SUBROUTINE

| MUX/Y _{OUT} | STACK | C _n | S ₁ | S ₀ | \overline{FE} | PUP |
|----------------------|-------|----------------|----------------|----------------|-----------------|-----|
| STACK | POP | 1 | 1 | 0 | 0 | 0 |

The address at the top of the stack is applied to the microprogram memory, and is incremented for PC on the next cycle. The stack is popped to remove the return address.

Am29803A FUNCTION TABLE

| | BRANCH ON | I ₃ | I ₂ | I ₁ | I ₀ | OR ₃ | OR ₂ | OR ₁ | OR ₀ |
|---------------------------------|---|----------------|----------------|----------------|----------------|-----------------|-----------------|-----------------|-----------------|
| NONE | NONE | L | L | L | L | L | L | L | L |
| Two-Way Branches | T ₀ | L | L | L | H | L | L | L | T ₀ |
| | T ₁ | L | L | H | L | L | L | L | T ₁ |
| | T ₂ | L | H | L | L | L | L | L | T ₂ |
| | T ₃ | H | L | L | L | L | L | L | T ₃ |
| Four-Way Branches | T ₁ & T ₀ | L | L | H | H | L | L | T ₁ | T ₀ |
| | T ₂ & T ₀ | L | H | L | H | L | L | T ₂ | T ₀ |
| | T ₃ & T ₀ | H | L | L | H | L | L | T ₃ | T ₀ |
| | T ₂ & T ₁ | L | H | H | L | L | L | T ₂ | T ₁ |
| | T ₃ & T ₁ | H | L | H | L | L | L | T ₃ | T ₁ |
| T ₃ & T ₂ | H | H | L | L | L | L | T ₃ | T ₂ | |
| Eight-Way Branches | T ₂ , T ₁ , T ₀ | L | H | H | H | L | T ₂ | T ₁ | T ₀ |
| | T ₃ , T ₁ , T ₀ | H | L | H | H | L | T ₃ | T ₁ | T ₀ |
| | T ₃ , T ₂ , T ₀ | H | H | L | H | L | T ₃ | T ₂ | T ₀ |
| | T ₃ , T ₂ , T ₁ | H | H | H | L | L | T ₃ | T ₂ | T ₁ |
| Sixteen-Way Branch | T ₃ , T ₂ , T ₁ , T ₀ | H | H | H | H | T ₃ | T ₂ | T ₁ | T ₀ |

The diagram shows a central block labeled 'Am29803A'. On the left, four inputs labeled T₃, T₂, T₁, and T₀ are grouped as 'FOUR TEST CONDITIONS'. On the top, four inputs labeled I₃, I₂, I₁, and I₀ are shown. On the right, four outputs labeled OR₃, OR₂, OR₁, and OR₀ are grouped as 'TO Am2909 OR INPUTS'.

Figure 7.

Am2910

Microprogram Controller

DISTINCTIVE CHARACTERISTICS

- **Twelve Bits Wide**
Address up to 4096 words of microcode with one chip. All internal elements are a full 12 bits wide.
- **Internal Loop Counter**
Pre-settable 12-bit down-counter for repeating instructions and counting loop iterations.
- **Four Address Sources**
Microprogram Address may be selected from microprogram counter, branch address bus, 5-level push/pop stack, or internal holding register.
- **Sixteen Powerful Microinstructions**
Executes 16 sequence control instructions, most of which are conditional on external condition input, state of internal loop counter, or both.
- **Output Enable Controls for Three Branch Address Sources**
Built-in decoder function to enable external devices onto branch address bus. Eliminates external decoder.
- **All Registers Positive Edge-triggered**
Simplifies timing problems. Eliminates long set-up times.
- **Fast Control from Condition Input**
Delay from condition code input to address output only 27ns typical.

GENERAL DESCRIPTION

The Am2910 Microprogram controller is an address sequencer intended for controlling the sequence of execution of microinstructions stored in microprogram memory. Besides the capability of sequential access, it provides conditional branching to any microinstruction within its 4096-microword range. A last-in, first-out stack provides microsubroutine return linkage and looping capability; there are five levels of nesting of microsubroutines. Microinstruction loop count control is provided with a count capacity of 4096.

During each microinstruction, the Microprogram controller provides a 12-bit address from one of four sources: 1) the microprogram address register (μ PC), which usually contains an address one greater than the previous address; 2) an external (direct) input (D); 3) a register/counter (R) retaining data loaded during a previous microinstruction; or 4) a five-deep last-in, first-out stack (F).

For a detailed discussion of this architectural approach to microprogram control units, refer to "The Microprogramming Handbook", an AMD applications publication.

Am2910 BLOCK DIAGRAM

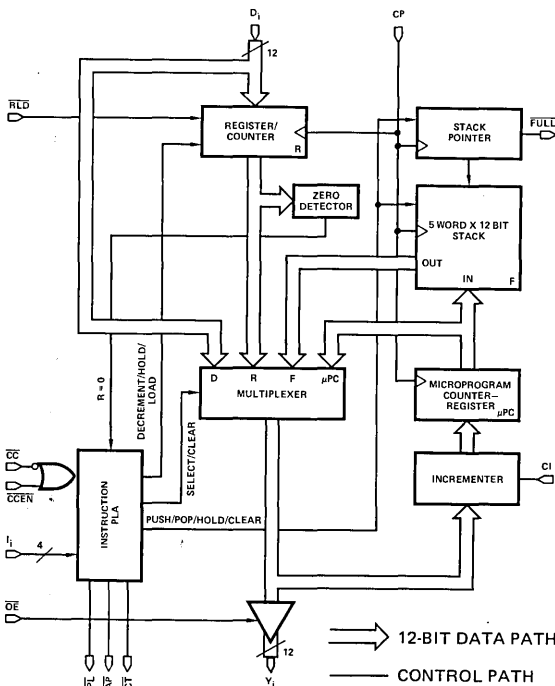


Figure 1.

MPR-106

TABLE OF CONTENTS

| | |
|---------------------------------------|------|
| Block Diagram | 2-88 |
| Ordering Information | 2-90 |
| Pin Connections | 2-90 |
| Instruction Codes | 2-91 |
| DC Characteristics | 2-92 |
| AC Characteristics | 2-93 |
| Microcomputer Architecture | 2-94 |
| Instruction Explanations | 2-96 |
| Alternative System Architecture | 2-99 |

ARCHITECTURE OF THE Am2910

The Am2910 is a bipolar microprogram controller intended for use in high-speed microprocessor applications. It allows addressing of up to 4K words of microprogram. A block diagram is shown in Figure 1.

The controller contains a four-input multiplexer that is used to select either the register/counter, direct input, microprogram counter, or stack as the source of the next microinstruction address.

The register/counter consists of 12 D-type, edge-triggered flip-flops, with a common clock enable. When its load control, \overline{RLD} , is LOW, new data is loaded on a positive clock transition. A few instructions include load; in most systems, these instructions will be sufficient, simplifying the microcode. The output of the register/counter is available to the multiplexer as a source for the next microinstruction address. The direct input furnishes a source of data for loading the register/counter.

The Am2910 contains a microprogram counter (μPC) that is composed of a 12-bit incrementer followed by a 12-bit register. The μPC can be used in either of two ways: When the carry-in to the incrementer is HIGH, the microprogram register is loaded on the next clock cycle with the current Y output word plus one ($Y + 1 \rightarrow \mu PC$). Sequential microinstructions are thus executed. When the carry-in is LOW, the incrementer passes the Y output word unmodified so that μPC is reloaded with the same Y word on the next clock cycle ($Y \rightarrow \mu PC$). The same microinstruction is thus executed any number of times.

The third source for the multiplexer is the direct (D) input. This source is used for branching.

The fourth source available at the multiplexer input is a 5-word by 12-bit stack (file). The stack is used to provide return address linkage when executing microsubroutines or loops. The stack contains a built-in stack pointer (SP) which always points to the last file word written. This allows stack reference operations (looping) to be performed without a pop.

The stack pointer operates as an up/down counter. During microinstructions 2, 4, and 5, the PUSH operation is performed. This causes the stack pointer to increment and the file to be written with the required return linkage. On the cycle following the PUSH, the return data is at the new location pointed to by the stack pointer.

During five microinstructions, a POP operation may occur. The stack pointer decrements at the next rising clock edge following a POP, effectively removing old information from the top of the stack.

The stack pointer linkage is such that any sequence of pushes, pops, or stack references can be achieved. At RESET (Instruction 0), the depth of nesting becomes zero. For each PUSH, the nesting depth increases by one; for each POP, the depth decreases by one. The depth can grow to five. After a depth of five is reached, \overline{FULL} goes LOW. Any further PUSHes onto a full stack overwrite information at the top of the stack, but leave the stack pointer unchanged. This operation will usually destroy useful information and is normally avoided. A POP from an empty stack may place non-meaningful data on the Y outputs, but is otherwise safe. The stack pointer remains at zero whenever a POP is attempted from a stack already empty.

The register/counter is operated during three microinstructions (8, 9, 15) as a 12-bit down counter, with result = zero available as a microinstruction branch test criterion. This provides efficient iteration of microinstructions. The register/counter is arranged such that if it is preloaded with a number N and then used as a loop termination counter, the sequence will be executed exactly N+1 times. During instruction 15, a three-way branch under combined control of the loop counter and the condition code is available.

The device provides three-state Y outputs. These can be particularly useful in designs requiring automatic checkout of the processor. The microprogram controller outputs can be forced into the high-impedance state, and pre-programmed sequences of microinstructions can be executed via external access to the address lines.

OPERATION

Table I shows the result of each instruction in controlling the multiplexer which determines the Y outputs, and in controlling the three enable signals \overline{PL} , \overline{MAP} , and \overline{VECT} . The effect on the register/counter and the stack after the next positive-going clock edge is also shown. The multiplexer determines which internal source drives the Y outputs. The value loaded into μPC is either identical to the Y output, or else one greater, as determined by CI. For each instruction, one and only one of the three outputs \overline{PL} , \overline{MAP} , and \overline{VECT} is LOW. If these outputs control three-state enables for the primary source of microprogram jumps (usually part of a pipeline register), a PROM which maps the instruction to a microinstruction starting location, and an optional third source (often a vector from a DMA or interrupt source), respectively, the three-state sources can drive the D inputs without further logic.

Several inputs, as shown in Table II, can modify instruction execution. The combination CC HIGH and \overline{CCEN} LOW is used as a test in 10 of the 16 instructions. \overline{RLD} , when LOW, causes the D input to be loaded into the register/counter, overriding any HOLD or DEC operation specified in the instruction. \overline{OE} , normally LOW, may be forced HIGH to remove the Am2910 Y outputs from a three-state bus.

The stack, a five-word last-in, first-out 12-bit memory, has a pointer which addresses the value presently on the top of the stack. Explicit control of the stack pointer occurs during instruction 0 (RESET), which makes the stack empty by resetting the SP to zero. After a RESET, and whenever else the stack is empty, the contents of the top of stack is undefined until a PUSH occurs. Any POPs performed while the stack is empty put undefined data on the F outputs and leave the stack pointer at zero.

Any time the stack is full (five more PUSHes than POPs have occurred since the stack was last empty), the \overline{FULL} warning output occurs. This signal first appears on the microcycle after a fifth PUSH. No additional PUSH should be attempted onto a full stack; if tried, information within the stack will be overwritten and lost.

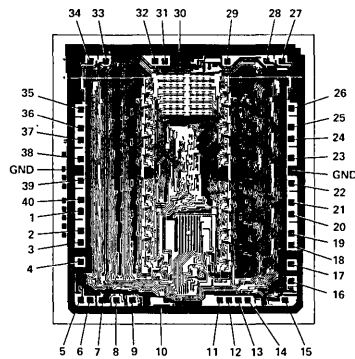
ORDERING INFORMATION

Order the part number according to the table below to obtain the desired package, temperature range, and screening level.

| Order Number | Package Type (Note 1) | Temperature Range (Note 2) | Screening Level (Note 3) |
|--------------|--------------------------|-------------------------------|--|
| AM2910PC | P-40 | C | C-1 |
| AM2910DC | D-40 | C | C-1 |
| AM2910DC-B | D-40 | C | B-1 |
| AM2910DM | D-40 | M | C-3 |
| AM2910DM-B | D-40 | M | B-3 |
| AM2910FM | F-42 | M | C-3 |
| AM2910FM-B | F-42 | M | B-3 |
| AM2910XC | Dice | C | Visual inspection to MIL-STD-883 Method 2010B. |
| AM2910XM | Dice | M | |

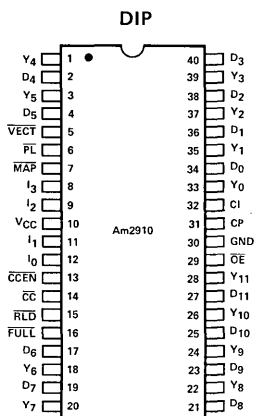
- Notes: 1. P = Molded DIP, D = Hermetic DIP, F = Flat Pak. Number following letter is number of leads. See Appendix B for detailed outline. Where Appendix B contains several dash numbers, any of the variations of the package may be used unless otherwise specified.
 2. C = 0°C to +70°C, M = -55°C to +125°C.
 3. See Appendix A for details of screening. Levels C-1 and C-3 conform to MIL-STD-883, Class C. Level B-3 conforms to MIL-STD-883, Class B.

Metallization and Pad Layout

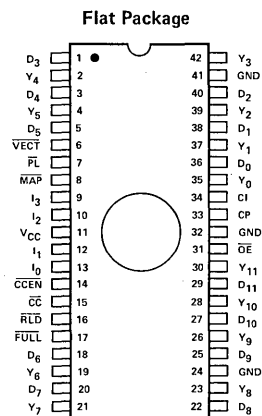


Die Size 0.170" x 0.194"
 (Note: Numbers refer to DIP connections)

CONNECTION DIAGRAMS – Top Views



MPR-107



MPR-108

Pin 1 is marked for orientation. On flat pack all three ground Pins must be connected to ground.

TABLE I. INSTRUCTIONS

| HEX 13-10 | MNEMONIC | NAME | REG/ CNTR CON- TENTS | FAIL | | PASS | | REG/ CNTR | ENABLE |
|--------------|----------|----------------------------|-------------------------------|---|-------|--|-------|--------------|--------|
| | | | | $\overline{CCEN} = \text{LOW and } \overline{CC} = \text{HIGH}$ | | $\overline{CCEN} = \text{HIGH or } \overline{CC} = \text{LOW}$ | | | |
| | | | | Y | STACK | Y | STACK | | |
| 0 | JZ | JUMP ZERO | X | 0 | CLEAR | 0 | CLEAR | HOLD | PL |
| 1 | CJS | COND JSB PL | X | PC | HOLD | D | PUSH | HOLD | PL |
| 2 | JMAP | JUMP MAP | X | D | HOLD | D | HOLD | HOLD | MAP |
| 3 | CJP | COND JUMP PL | X | PC | HOLD | D | HOLD | HOLD | PL |
| 4 | PUSH | PUSH/COND LD CNTR | X | PC | PUSH | PC | PUSH | Note 1 | PL |
| 5 | JSRP | COND JSB R/PL | X | R | PUSH | D | PUSH | HOLD | PL |
| 6 | CJV | COND JUMP VECTOR | X | PC | HOLD | D | HOLD | HOLD | VECT |
| 7 | JRP | COND JUMP R/PL | X | R | HOLD | D | HOLD | HOLD | PL |
| 8 | RFCT | REPEAT LOOP, CNTR \neq 0 | \neq 0 | F | HOLD | F | HOLD | DEC | PL |
| | | | = 0 | PC | POP | PC | POP | HOLD | PL |
| | | | \neq 0 | D | HOLD | D | HOLD | DEC | PL |
| 9 | RPCT | REPEAT PL, CNTR \neq 0 | = 0 | PC | HOLD | PC | HOLD | HOLD | PL |
| | | | \neq 0 | D | HOLD | D | HOLD | DEC | PL |
| | | | \neq 0 | PC | HOLD | PC | HOLD | HOLD | PL |
| A | CRTN | COND RTN | X | PC | HOLD | F | POP | HOLD | PL |
| B | CJPP | COND JUMP PL & POP | X | PC | HOLD | D | POP | HOLD | PL |
| C | LDCT | LD CNTR & CONTINUE | X | PC | HOLD | PC | HOLD | LOAD | PL |
| D | LOOP | TEST END LOOP | X | F | HOLD | PC | POP | HOLD | PL |
| E | CONT | CONTINUE | X | PC | HOLD | PC | HOLD | HOLD | PL |
| F | TWB | THREE-WAY BRANCH | \neq 0 | F | HOLD | PC | POP | DEC | PL |
| | | | = 0 | D | POP | PC | POP | HOLD | PL |

Note 1: If $\overline{CCEN} = \text{LOW}$ and $\overline{CC} = \text{HIGH}$, hold; else load. X = Don't Care

TABLE II. PIN FUNCTIONS

| Abbreviation | Name | Function |
|-------------------|----------------------------|--|
| D_i | Direct Input Bit i | Direct input to register/counter and multiplexer. D_0 is LSB |
| I_i | Instruction Bit i | Selects one-of-sixteen instructions for the Am2910 |
| \overline{CC} | Condition Code | Used as test criterion. Pass test is a LOW on \overline{CC} . |
| \overline{CCEN} | Condition Code Enable | Whenever the signal is HIGH, \overline{CC} is ignored and the part operates as though \overline{CC} were true (LOW). |
| CI | Carry-In | Low order carry input to incrementer for microprogram counter |
| \overline{RLD} | Register Load | When LOW forces loading of register/counter regardless of instruction or condition |
| \overline{OE} | Output Enable | Three-state control of Y_i outputs |
| CP | Clock Pulse | Triggers all internal state changes at LOW-to-HIGH edge |
| V_{CC} | +5 Volts | |
| GND | Ground | |
| Y_i | Microprogram Address Bit i | Address to microprogram memory. Y_0 is LSB, Y_{11} is MSB |
| \overline{FULL} | Full | Indicates that five items are on the stack |
| \overline{PL} | Pipeline Address Enable | Can select #1 source (usually Pipeline Register) as direct input source |
| \overline{MAP} | Map Address Enable | Can select #2 source (usually Mapping PROM or PLA) as direct input source |
| \overline{VECT} | Vector Address Enable | Can select #3 source (for example, Interrupt Starting Address) as direct input source |

Am2910

MAXIMUM RATINGS (Above which the useful life may be impaired)

| | |
|---|------------------------|
| Storage Temperature | -65°C to +150°C |
| Temperature (Ambient) Under Bias | -55°C to +125°C |
| Supply Voltage to Ground Potential | -0.5V to +7.0V |
| DC Voltage Applied to Outputs for High Output State | -0.5V to V_{CC} max. |
| DC Input Voltage | -0.5V to +5.5V |
| DC Output Current, Into Outputs | 30mA |
| DC Input Current | -30mA to +5.0mA |

ELECTRICAL CHARACTERISTICS The Following Conditions Apply Unless Otherwise Specified:

COM'L $T_A = 0^\circ\text{C}$ to $+70^\circ\text{C}$ $V_{CC} = 5.0\text{V} \pm 5\%$ MIN. = 4.75V MAX. = 5.25V

MIL $T_C = -55^\circ\text{C}$ to $+125^\circ\text{C}$ $V_{CC} = 5.0\text{V} \pm 10\%$ MIN. = 4.50V MAX. = 5.50V

DC CHARACTERISTICS OVER OPERATING RANGE

| Parameters | Description | Test Conditions (Note 1) | Typ. (Note 2) | | Units | | |
|------------|---------------------------------------|---|---------------------------|---|-------|---------------|----|
| | | | Min. | Max. | | | |
| V_{OH} | Output HIGH Voltage | $V_{CC} = \text{MIN.}, I_{OH} = -1.6\text{mA}$ $V_{IN} = V_{IH}$ or V_{IL} | 2.4 | | Volts | | |
| V_{OL} | Output LOW Voltage | $V_{CC} = \text{MIN.}$ $V_{IN} = V_{IH}$ or V_{IL} | | 0.5 | Volts | | |
| V_{IH} | Input HIGH Level (Note 4) | Guaranteed Input Logical HIGH voltage for all inputs | 2.0 | | Volts | | |
| V_{IL} | Input LOW Level (Note 4) | Guaranteed input logical LOW voltage for all inputs | | 0.8 | Volts | | |
| V_I | Input Clamp Voltage | $V_{CC} = \text{MIN.}, I_{IN} = -18\text{mA}$ | | -1.5 | Volts | | |
| I_{IL} | Input LOW Current | $V_{CC} = \text{MAX.}, V_{IN} = 0.5\text{V}$ | D_0-11 | | -0.87 | mA | |
| | | | $Cl, CCEN$ | | -0.54 | | |
| | | | I_0-3, OE, RLD | | -0.72 | | |
| | | | CC | | -1.31 | | |
| | | | CP | | -2.14 | | |
| I_{IH} | Input HIGH Current | $V_{CC} = \text{MAX.}, V_{IN} = 2.7\text{V}$ | D_0-11 | | 80 | μA | |
| | | | $Cl, CCEN$ | | 30 | | |
| | | | I_0-3, OE, RLD | | 40 | | |
| | | | CC | | 50 | | |
| | | | CP | | 100 | | |
| I_I | Input HIGH Current | $V_{CC} = \text{MAX.}, V_{IN} = 5.5\text{V}$ | | 1.0 | mA | | |
| I_{SC} | Output Short Circuit Current (Note 3) | $V_{CC} = \text{MAX.}$ | -30 | -85 | mA | | |
| I_{OZL} | Output OFF Current | $V_{CC} = \text{MAX.}$ $OE = 2.4\text{V}$ | $V_{OUT} = 0.5\text{V}$ | | -50 | μA | |
| I_{OZH} | | | $V_{OUT} = 2.4\text{V}$ | | 50 | | |
| I_{CC} | Power Supply Current | $V_{CC} = \text{MAX.}$ | Am2910PC, DC | $T_A = 25^\circ\text{C}$ | 195 | 320 | mA |
| | | | | $T_A = 0^\circ\text{C}$ to $+70^\circ\text{C}$ | | 344 | |
| | | | $T_A = +70^\circ\text{C}$ | | 280 | | |
| | | | Am2910DM, FM | $T_C = -55^\circ\text{C}$ to $+125^\circ\text{C}$ | | 340 | |
| | | | | $T_C = +125^\circ\text{C}$ | | 227 | |

- Notes: 1. For conditions shown as MIN. or MAX., use the appropriate value specified under Electrical Characteristics for the applicable device type.
 2. Typical limits are at $V_{CC} = 5.0\text{V}$, 25°C ambient and maximum loading.
 3. Not more than one output should be shorted at a time. Duration of the short circuit test should not exceed one second.
 4. These input levels provide no guaranteed noise immunity and should only be tested in a static, noise-free environment.

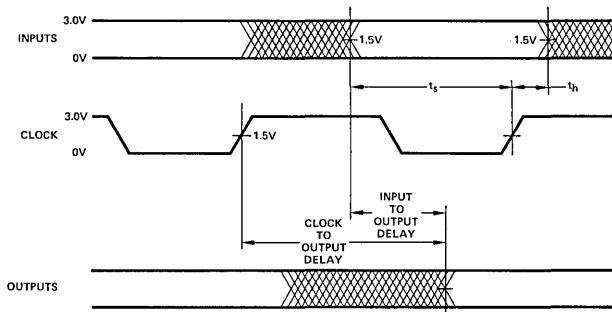


Figure 2. Switching Waveforms.

See Tables A for t_s and t_h for various inputs. See Tables B for combinational delays from clock and other inputs to outputs. See Figure 5 for timing of a typical CCU cycle.

SWITCHING CHARACTERISTICS

The tables below define the Am2910 switching characteristics. Tables A are set-up and hold times relative to the clock LOW-to-HIGH transition. Tables B are combinational delays. Tables C are clock requirements. All measurements are made at 1.5V with input levels at 0V or 3V. All values are in ns.

TYPICAL ROOM TEMPERATURE CHARACTERISTICS ($T_A = 25^\circ\text{C}$, $V_{CC} = 5.0\text{V}$, $C_L = 50\text{pF}$)

A. Set-up and Hold Times

| Input | t_s | t_h |
|----------------------|-------|-------|
| $D_i \rightarrow R$ | 9 | 3 |
| $D_i \rightarrow PC$ | 34 | 1 |
| I_0-I_3 | 64 | 0 |
| \overline{CC} | 46 | 0 |
| \overline{CCEN} | 49 | 0 |
| CI | 26 | 2 |
| \overline{RLD} | 18 | 2 |

B. Combinational Delays

| Input | Y | PL, VECT, MAP | Full |
|--------------------------|----|---------------|------|
| D_0-D_{11} | 14 | — | — |
| I_0-I_3 | 40 | — | — |
| \overline{CC} | 27 | — | — |
| \overline{CCEN} | 33 | — | — |
| CP(note) I = 8, 9, 15 | 66 | — | 39 |
| CP All other I | 37 | — | 39 |
| \overline{OE} | 15 | — | — |

C. Clock Requirements

| | | |
|----------------------------------|----|----|
| Minimum Clock LOW Time | 23 | ns |
| Minimum Clock HIGH Time | 30 | ns |
| Minimum Clock Period, I=8, 9, 15 | | ns |
| Minimum Clock Period, I=14 | | ns |

(Clock periods for other instructions are determined by external conditions.)

Note: These instructions are conditional on the counter. Delays from CP to outputs will be longer if the instruction prior to the clock was 4 or 12 or \overline{RLD} was LOW.

GUARANTEED ROOM TEMPERATURE CHARACTERISTICS ($T_A = 25^\circ\text{C}$, $V_{CC} = 5.0\text{V}$, $C_L = 50\text{pF}$)

A. Set-up and Hold Times

| Input | t_s | t_h |
|----------------------|-------|-------|
| $D_i \rightarrow R$ | | |
| $D_i \rightarrow PC$ | | |
| I_0-I_3 | | |
| \overline{CC} | | |
| \overline{CCEN} | | |
| CI | | |
| \overline{RLD} | | |

B. Combinational Delays

| Input | Y | PL, VECT, MAP | Full |
|--------------------------|---|---------------|------|
| D_0-D_{11} | | | |
| I_0-I_3 | | | |
| \overline{CC} | | | |
| \overline{CCEN} | | | |
| CP(note) I = 8, 9, 15 | | | |
| CP All other I | | | |
| \overline{OE} | | | |

C. Clock Requirements

| | | |
|----------------------------------|--|----|
| Minimum Clock LOW Time | | ns |
| Minimum Clock HIGH Time | | ns |
| Minimum Clock Period, I=8, 9, 15 | | ns |
| Minimum Clock Period, I=14 | | ns |

(Clock periods for other instructions are determined by external conditions.)

Note: These instructions are conditional on the counter. Delays from CP to outputs will be longer if the instruction prior to the clock was 4 or 12 or \overline{RLD} was LOW.

GUARANTEED CHARACTERISTICS OVER COMMERCIAL OPERATING RANGE

Am2910PC, DC ($T_A = 0^\circ\text{C}$ to $+70^\circ\text{C}$, $V_{CC} = 4.75\text{V}$ to 5.25V , $C_L = 50\text{pF}$)

A. Set-up and Hold Times

| Input | t_s | t_h |
|----------------------|-------|-------|
| $D_i \rightarrow R$ | | |
| $D_i \rightarrow PC$ | | |
| I_0-I_3 | | |
| \overline{CC} | | |
| \overline{CCEN} | | |
| CI | | |
| \overline{RLD} | | |

B. Combinational Delays

| Input | Y | PL, VECT, MAP | Full |
|--------------------------|---|---------------|------|
| D_0-D_{11} | | | |
| I_0-I_3 | | | |
| \overline{CC} | | | |
| \overline{CCEN} | | | |
| CP(note) I = 8, 9, 15 | | | |
| CP All other I | | | |
| \overline{OE} | | | |

C. Clock Requirements

| | | |
|----------------------------------|----|----|
| Minimum Clock LOW Time | 50 | ns |
| Minimum Clock HIGH Time | 30 | ns |
| Minimum Clock Period, I=8, 9, 15 | | ns |
| Minimum Clock Period, I=14 | | ns |

(Clock periods for other instructions are determined by external conditions.)

Note: These instructions are conditional on the counter. Delays from CP to outputs will be longer if the instruction prior to the clock was 4 or 12 or \overline{RLD} was LOW.

GUARANTEED CHARACTERISTICS OVER MILITARY OPERATING RANGE

Am2910DM, FM ($T_C = -55^\circ\text{C}$ to $+125^\circ\text{C}$, $V_{CC} = 4.5\text{V}$ to 5.5V , $C_L = 50\text{pF}$)

A. Set-up and Hold Times

| Input | t_s | t_h |
|----------------------|-------|-------|
| $D_i \rightarrow R$ | | |
| $D_i \rightarrow PC$ | | |
| I_0-I_3 | | |
| \overline{CC} | | |
| \overline{CCEN} | | |
| CI | | |
| \overline{RLD} | | |

B. Combinational Delays

| Input | Y | PL, VECT, MAP | Full |
|--------------------------|---|---------------|------|
| D_0-D_{11} | | | |
| I_0-I_3 | | | |
| \overline{CC} | | | |
| \overline{CCEN} | | | |
| CP(note) I = 8, 9, 15 | | | |
| CP All other I | | | |
| \overline{OE} | | | |

C. Clock Requirements

| | | |
|----------------------------------|--|----|
| Minimum Clock LOW Time | | ns |
| Minimum Clock HIGH Time | | ns |
| Minimum Clock Period, I=8, 9, 15 | | ns |
| Minimum Clock Period, I=14 | | ns |

(Clock periods for other instructions are determined by external conditions.)

Note: These instructions are conditional on the counter. Delays from CP to outputs will be longer if the instruction prior to the clock was 4 or 12 or \overline{RLD} was LOW.

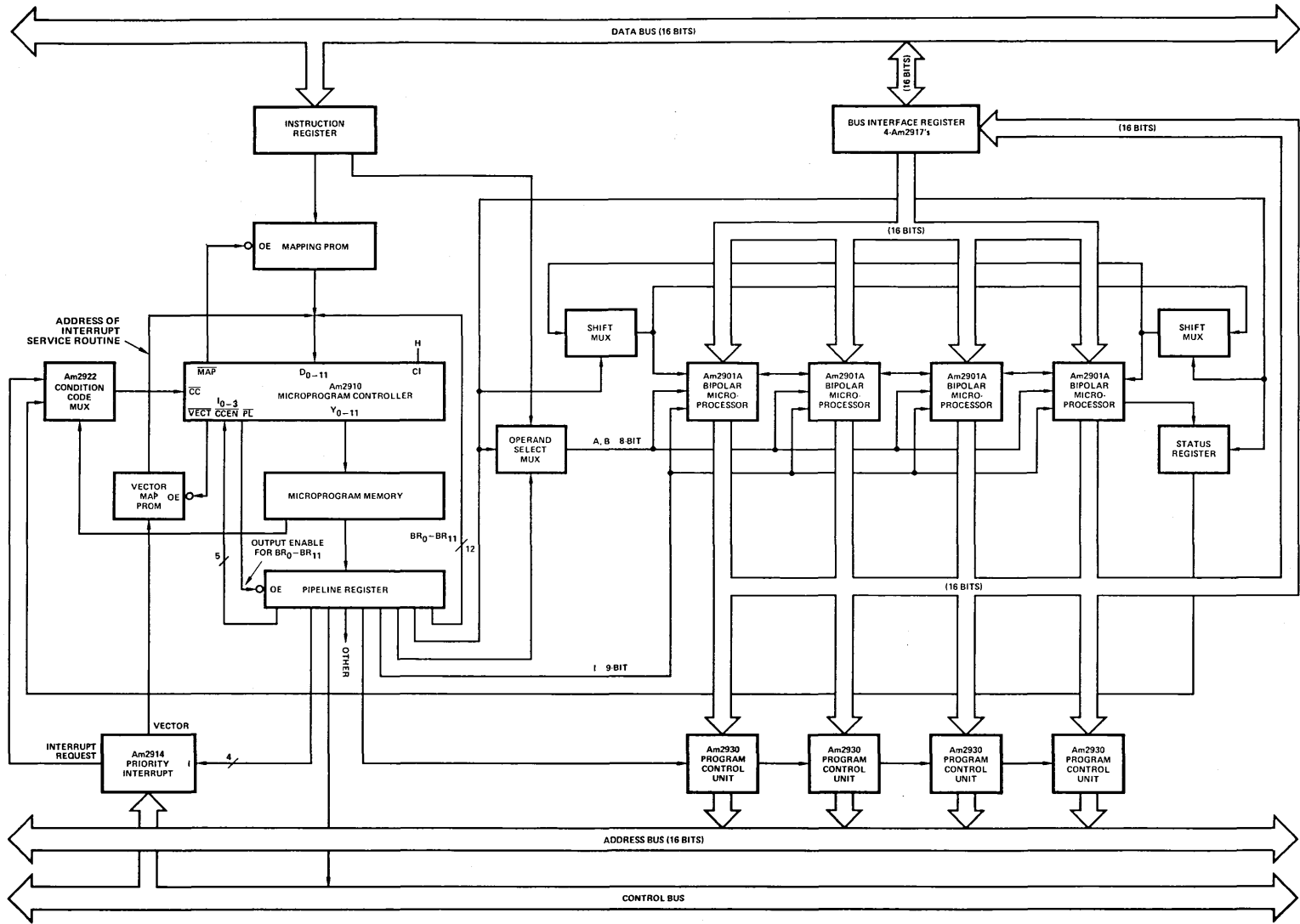


Figure 3. Typical Bipolar Microcomputer Using Am2910.

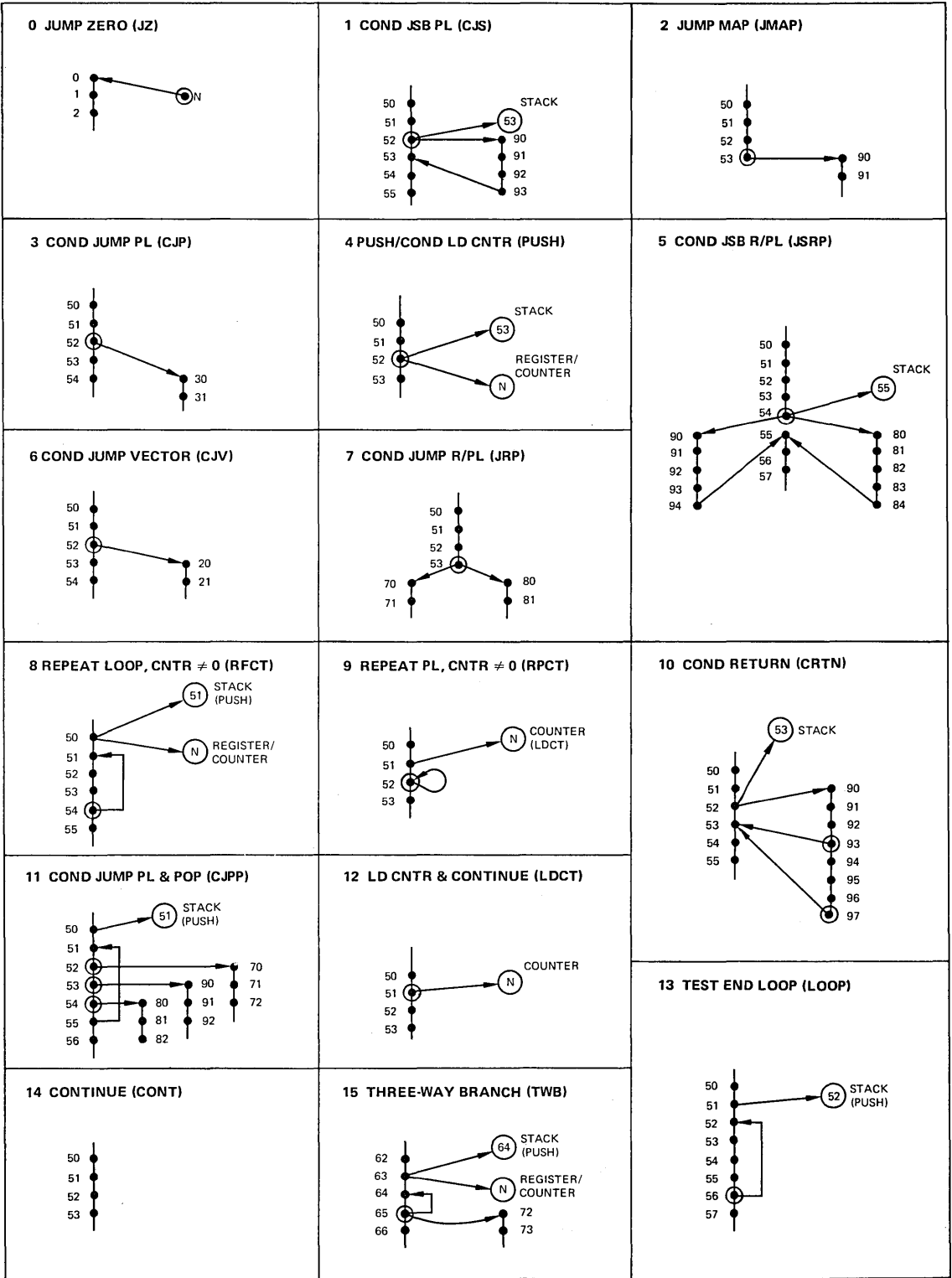


Figure 4. Am2910 Execution Examples.

THE Am2910 INSTRUCTION SET

The Am2910 provides 16 instructions which select the address of the next microinstruction to be executed. Four of the instructions are unconditional — their effect depends only on the instruction. Ten of the instructions have an effect which is partially controlled by an external, data-dependent condition. Three of the instructions have an effect which is partially controlled by the contents of the internal register/counter. The instruction set is shown in Table I. In this discussion it is assumed that C_n is tied HIGH.

In the ten conditional instructions, the result of the data-dependent test is applied to \overline{CC} . If the \overline{CC} input is LOW, the test is considered to have been passed, and the action specified in the name occurs; otherwise, the test has failed and an alternate (often simply the execution of the next sequential microinstruction) occurs. Testing of \overline{CC} may be disabled for a specific microinstruction by setting \overline{CCEN} HIGH, which unconditionally forces the action specified in the name; that is, it forces a pass. Other ways of using \overline{CCEN} include (1) tying it HIGH, which is useful if no microinstruction is data-dependent; (2) tying it LOW if data-dependent instructions are never forced unconditionally; or (3) tying it to the source of Am2910 instruction bit I_0 , which leaves instructions 4, 6, and 10 as data-dependent but makes others unconditional. All of these tricks save one bit of microcode width.

The effect of three instructions depends on the contents of the register/counter. Unless the counter holds a value of zero, it is decremented; if it does hold zero, it is held and a different microprogram next address is selected. These instructions are useful for executing a microinstruction loop a known number of times. Instruction 15 is affected both by the external condition code and the internal register/counter.

Perhaps the best technique for understanding the Am2910 is to simply take each instruction and review its operation. In order to provide some feel for the actual execution of these instructions, Figure 4 is included and depicts examples of all 16 instructions.

The examples given in Figure 4 should be interpreted in the following manner: The intent is to show microprogram flow as various microprogram memory words are executed. For example, the CONTINUE instruction, instruction number 14, as shown in Figure 4, simply means that the contents of microprogram memory word 50 is executed, then the contents of word 51 is executed. This is followed by the contents of microprogram memory word 52 and the contents of microprogram memory word 53. The microprogram addresses used in the examples were arbitrarily chosen and have no meaning other than to show instruction flow. The exception to this is the first example, JUMP ZERO, which forces the microprogram location counter to address ZERO. Each dot refers to the time that the contents of the microprogram memory word is in the pipeline register. While no special symbology is used for the conditional instructions, the test to follow will explain what the conditional choices are in each example.

It might be appropriate at this time to mention that AMD has a microprogram assembler called AMDASM, which has the capability of using the Am2910 instructions in symbolic representation. AMDASM's Am2910 instruction symbolics (or mnemonics) are given in Figure 4 for each instruction and are also shown in Table I.

Instruction 0, JZ (JUMP and ZERO, or RESET) unconditionally specifies that the address of the next microinstruction is zero. Many designs use this feature for power-up sequences

and provide the power-up firmware beginning at microprogram memory word location 0.

Instruction 1 is a CONDITIONAL JUMP-TO-SUBROUTINE via the address provided in the pipeline register. As shown in Figure 4, the machine might have executed words at address 50, 51, and 52. When the contents of address 52 is in the pipeline register, the next address control function is the CONDITIONAL JUMP-TO-SUBROUTINE. Here, if the test is passed, the next instruction executed will be the contents of microprogram memory location 90. If the test has failed, the JUMP-TO-SUBROUTINE will not be executed; the contents of microprogram memory location 53 will be executed instead. Thus, the CONDITIONAL JUMP-TO-SUBROUTINE instruction at location 52 will cause the instruction either in location 90 or in location 53 to be executed next. If the TEST input is such that location 90 is selected, value 53 will be pushed onto the internal stack. This provides the return linkage for the machine when the subroutine beginning at location 90 is completed. In this example, the subroutine was completed at location 93 and a RETURN-FROM-SUBROUTINE would be found at location 93.

Instruction 2 is the JUMP MAP instruction. This is an unconditional instruction which causes the \overline{MAP} output to be enabled so that the next microinstruction location is determined by the address supplied via the mapping PROMs. Normally, the JUMP MAP instruction is used at the end of the instruction fetch sequence for the machine. In the example of Figure 4, microinstructions at locations 50, 51, 52, and 53 might have been the fetch sequence and at its completion at location 53, the jump map function would be contained in the pipeline register. This example shows the mapping PROM outputs to be 90; therefore, an unconditional jump to microprogram memory address 90 is performed.

Instruction 3, CONDITIONAL JUMP PIPELINE, derives its branch address from the pipeline register branch address value ($BR_0 - BR_{11}$ in Figure 2). This instruction provides a technique for branching to various microprogram sequences depending upon the test condition inputs. Quite often, state machines are designed which simply execute tests on various inputs waiting for the condition to come true. When the true condition is reached, the machine then branches and executes a set of microinstructions to perform some function. This usually has the effect of resetting the input being tested until some point in the future. Figure 4 shows the conditional jump via the pipeline register address at location 52. When the contents of microprogram memory word 52 are in the pipeline register, the next address will be either location 53 or location 30 in this example. If the test is passed, the value currently in the pipeline register (3) will be selected. If the test fails, the next address selected will be contained in the microprogram counter which, in this example, is 53.

Instruction 4 is the PUSH/CONDITIONAL LOAD COUNTER instruction and is used primarily for setting up loops in microprogram firmware. In Figure 4, when instruction 52 is in the pipeline register, a PUSH will be made onto the stack and the counter will be loaded based on the condition. When a PUSH occurs, the value pushed is always the next sequential instruction address. In this case, the address is 53. If the test fails, the counter is not loaded; if it is passed, the counter is loaded with the value contained in the pipeline register branch address field. Thus, a single microinstruction can be used to set up a loop to be executed a specific number of times. Instruction 8 will

THE Am2910 INSTRUCTION SET (Cont.)

describe how to use the pushed value and the register/counter for looping.

Instruction 5 is a **CONDITIONAL JUMP-TO-SUBROUTINE** via the register/counter or the contents of the PIPELINE register. As shown in Figure 4, a PUSH is always performed and one of two subroutines executed. In this example, either the subroutine beginning at address 80 or the subroutine beginning at address 90 will be performed. A return-from-subroutine (instruction number 10) returns the microprogram flow to address 55. In order for this microinstruction control sequence to operate correctly, both the next address fields of instruction 53 and the next address fields of instruction 54 would have to contain the proper value. Let's assume that the branch address fields of instruction 53 contain the value 90 so that it will be in the Am2910 register/counter when the contents of address 54 are in the pipeline register. This requires that the instruction at address 53 load the register/counter. Now, during the execution of instruction 5 (at address 54), if the test failed, the contents of the register (value = 90) will select the address of the next microinstruction. If the test input passes, the pipeline register contents (value = 80) will determine the address of the next microinstruction. Therefore, this instruction provides the ability to select one of two subroutines to be executed based on a test condition.

Instruction 6 is a **CONDITIONAL JUMP VECTOR** instruction which provides the capability to take the branch address from a third source heretofore not discussed. In order for this instruction to be useful, the Am2910 output, **VECT** is used to control a three-state control input of a register, buffer, or PROM containing the next microprogram address. This instruction provides one technique for performing interrupt type branching at the microprogram level. Since this instruction is conditional, a pass causes the next address to be taken from the vector source, while failure causes the next address to be taken from the microprogram counter. In the example of Figure 4, if the **CONDITIONAL JUMP VECTOR** instruction is contained at location 52, execution will continue at vector address 20 if the TEST input is HIGH and the microinstruction at address 53 will be executed if the TEST input is LOW.

Instruction 7 is a **CONDITIONAL JUMP** via the contents of the Am2910 REGISTER/COUNTER or the contents of the PIPELINE register. This instruction is very similar to instruction 5; the conditional jump-to-subroutine via R or PL. The major difference between instruction 5 and instruction 7 is that no push onto the stack is performed with 7. Figure 4 depicts this instruction as a branch to one of two locations depending on the test condition. The example assumes the pipeline register contains the value 70 when the contents of address 52 is being executed. As the contents of address 53 is clocked into the pipeline register, the value 70 is loaded into the register/counter in the Am2910. The value 80 is available when the contents of address 53 is in the pipeline register. Thus, control is transferred to either address 70 or address 80 depending on the test condition.

Instruction 8 is the **REPEAT LOOP, COUNTER \neq ZERO** instruction. This microinstruction makes use of the decrementing capability of the register/counter. To be useful, some previous instruction, such as 4, must have loaded a count value into the register/counter. This instruction checks to see whether the register/counter contains a non-zero value. If so, the register/counter is decremented, and the address of the next microinstruction is taken from the top of the stack. If the register counter contains zero, the loop exit condition is occurring; control falls through to the next sequential microinstruction

by selecting uPC; the stack is POP'd by decrementing the stack pointer, but the contents of the top of the stack are thrown away.

An example of the **REPEAT LOOP, COUNTER \neq ZERO** instruction is shown in Figure 4. In this example, location 50 most likely would contain a **PUSH/CONDITIONAL LOAD COUNTER** instruction which would have caused address 51 to be PUSHed on the stack and the counter to be loaded with the proper value for looping the desired number of times.

In this example, since the loop test is made at the end of the instructions to be repeated (microaddress 54), the proper value to be loaded by the instructions at address 50 is one less than the desired number of passes through the loop. This method allows a loop to be executed 1 to 4096 times. If it is desired to execute the loop from 0 to 4095 times, the firmware should be written to make the loop exit test immediately after loop entry.

Single-microinstruction loops provide a highly efficient capability for executing a specific microinstruction a fixed number of times. Examples include fixed rotates, byte swap, fixed point multiply, and fixed point divide.

Instruction 9 is the **REPEAT PIPELINE REGISTER, COUNTER \neq ZERO** instruction. This instruction is similar to instruction 8 except that the branch address now comes from the pipeline register rather than the file. In some cases, this instruction may be thought of as a one-word file extension; that is, by using this instruction, a loop with the counter can still be performed when subroutines are nested five deep. This instruction's operation is very similar to that of instruction 8. The differences are that on this instruction, a failed test condition causes the source of the next microinstruction address to be the D inputs; and, when the test condition is passed, this instruction does not perform a POP because the stack is not being used.

In the example of Figure 4, the **REPEAT PIPELINE, COUNTER \neq ZERO** instruction is instruction 52 and is shown as a single microinstruction loop. The address in the pipeline register would be 52. Instruction 51 in this example could be the **LOAD COUNTER AND CONTINUE** instruction (number 12). While the example shows a single microinstruction loop, by simply changing the address in a pipeline register, multi-instruction loops can be performed in this manner for a fixed number of times as determined by the counter.

Instruction 10 is the conditional **RETURN-FROM-SUBROUTINE** instruction. As the name implies, this instruction is used to branch from the subroutine back to the next microinstruction address following the subroutine call. Since this instruction is conditional, the return is performed only if the test is passed. If the test is failed, the next sequential microinstruction is performed. The example in Figure 4 depicts the use of the conditional **RETURN-FROM-SUBROUTINE** instruction in both the conditional and the unconditional modes. This example first shows a jump-to-subroutine at instruction location 52 where control is transferred to location 90. At location 93, a conditional **RETURN-FROM-SUBROUTINE** instruction is performed. If the test is passed, the stack is accessed and the program will transfer to the next instruction at address 53. If the test is failed, the next microinstruction at address 94 will be executed. The program will continue to address 97 where the subroutine is complete. To perform an unconditional **RETURN-FROM-SUBROUTINE**, the conditional **RETURN-FROM-SUBROUTINE** instruction is executed unconditionally; the microinstruction at address 97 is programmed to force

THE Am2910 INSTRUCTION SET (Cont.)

$\overline{\text{CCEN}}$ HIGH, disabling the test and the forced PASS causes an unconditional return.

Instruction 11 is the CONDITIONAL JUMP PIPELINE register address and POP stack instruction. This instruction provides another technique for loop termination and stack maintenance. The example in Figure 4 shows a loop being performed from address 55 back to address 51. The instructions at locations 52, 53, and 54 are all conditional JUMP and POP instructions. At address 52, if the TEST input is passed, a branch will be made to address 70 and the stack will be properly maintained via a POP. Should the test fail, the instruction at location 53 (the next sequential instruction) will be executed. Likewise, at address 53, either the instruction at 90 or 54 will be subsequently executed, respective to the test being passed or failed. The instruction at 54 follows the same rules, going to either 80 or 55. An instruction sequence as described here, using the CONDITIONAL JUMP PIPELINE and POP instruction, is very useful when several inputs are being tested and the microprogram is looping waiting for any of the inputs being tested to occur before proceeding to another sequence of instructions. This provides the powerful jump-table programming technique at the firmware level.

Instruction 12 is the LOAD COUNTER AND CONTINUE instruction, which simply enables the counter to be loaded with the value at its parallel inputs. These inputs are normally connected to the pipeline branch address field which (in the architecture being described here) serves to supply either a branch address or a counter value depending upon the microinstruction being executed. There are altogether three ways of loading the counter — the explicit load by this instruction 12; the conditional load included as part of instruction 4; and the use of the RLD input along with any instruction. The use of RLD with any instruction overrides any counting or decrementation specified in the instruction, calling for a load instead. Its use provides additional microinstruction power, at the expense of one bit of microinstruction width. This instruction 12 is exactly equivalent to the combination of instruction 14 and RLD LOW. Its purpose is to provide a simple capability to load the register/counter in those implementations which do not provide microprogrammed control for RLD.

Instruction 13 is the TEST END-OF-LOOP instruction, which provides the capability of conditionally exiting a loop at the bottom; that is, this is a conditional instruction that will cause the microprogram to loop, via the file, if the test is failed else to continue to the next sequential instruction. The example in Figure 4 shows the TEST END-OF-LOOP microinstruction at address 56. If the test fails, the microprogram will branch to address 52. Address 52 is on the stack because a PUSH instruction had been executed at address 51. If the test is passed at instruction 56, the loop is terminated and the next sequential microinstruction at address 57 is executed, which also causes the stack to be POP'd; thus, accomplishing the required stack maintenance.

Instruction 14 is the CONTINUE instruction, which simply causes the microprogram counter to increment so that the next sequential microinstruction is executed. This is the simplest microinstruction of all and should be the default instruction which the firmware requests whenever there is nothing better to do.

Instruction 15, THREE-WAY BRANCH, is the most complex. It provides for testing of both a data-dependent condition and the counter during one microinstruction and provides for selecting among one of three microinstruction addresses as the next microinstruction to be performed. Like instruction 8, a previous instruction will have loaded a count into the register/counter while pushing a microbranch address onto the stack. Instruction 15 performs a decrement-and-branch-until-zero function similar to instruction 8. The next address is taken from the top of the stack until the count reaches zero; then the next address comes from the pipeline register. The above action continues as long as the test condition fails. If at any execution of instruction 15 the test condition is passed, no branch is taken; the microprogram counter register furnishes the next address. When the loop is ended, either by the count becoming zero, or by passing the conditional test, the stack is POP'd by decrementing the stack pointer, since interest in the value contained at the top of the stack is then complete.

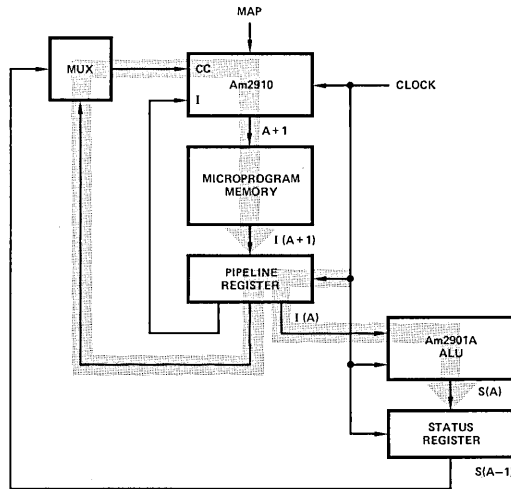
The application of instruction 15 can enhance performance of a variety of machine-level instructions. For instance, (1) a memory search instruction to be terminated either by finding a desired memory content or by reaching the search limit; (2) variable-field-length arithmetic terminated early upon finding that the content of the portion of the field still unprocessed is all zeroes; (3) key search in a disc controller processing variable length records; (4) normalization of a floating point number.

As one example, consider the case of a memory search instruction. As shown in Figure 4, the instruction at microprogram address 63 can be Instruction 4 (PUSH), which will push the value 64 onto the microprogram stack and load the number N, which is one less than the number of memory locations to be searched before giving up. Location 64 contains a microinstruction which fetches the next operand from the memory area to be searched and compares it with the search key. Location 65 contains a microinstruction which tests the result of the comparison and also is a THREE-WAY BRANCH for microprogram control. If no match is found, the test fails and the microprogram goes back to location 64 for the next operand address. When the count becomes zero, the microprogram branches to location 72, which does whatever is necessary if no match is found. If a match occurs on any execution of the THREE-WAY BRANCH at location 65, control falls through to location 66 which handles this case. Whether the instruction ends by finding a match or not, the stack will have been POP'd once, removing the value 64 from the top of the stack.

ARCHITECTURES USING THE Am2910
 (Shading shows path(s) which usually limit speed)

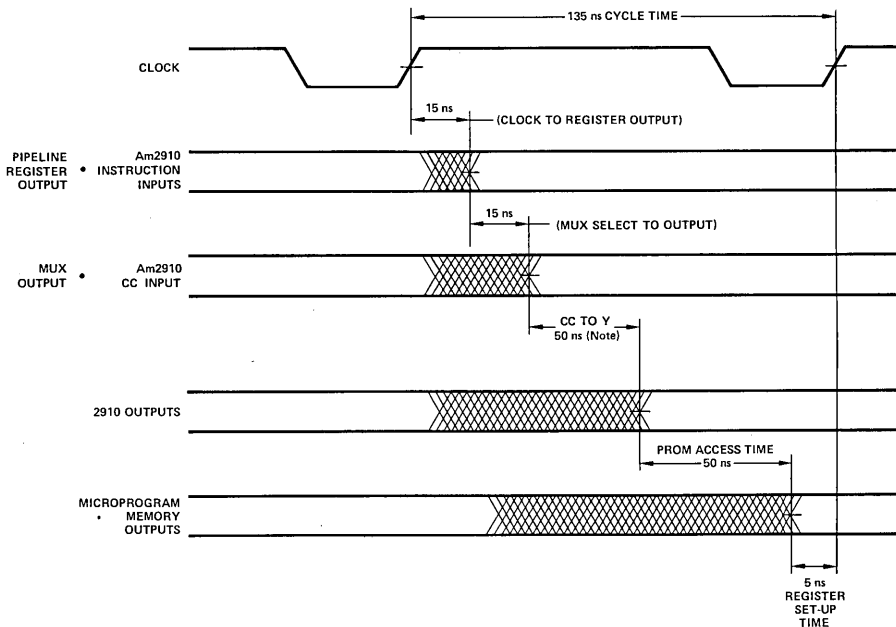
Figure 5.

One Level Pipeline Based
(Recommended)



One level pipeline provides better speed than most other architectures. The μ Program Memory and the Am2901A array are in parallel speed paths instead of in series. This is the recommended architecture for Am2900 designs.

MPR-112



Typical CCU Cycle Timing Waveforms.

This drawing shows the timing relationships in the CCU illustrated above.

(Note: 50 ns figure is an estimate of what worst case delay will be for the \overline{CC} to Y path)

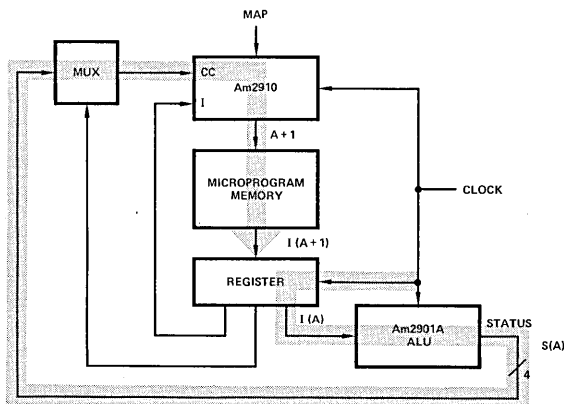
MPR-113

OTHER ARCHITECTURES USING THE Am2910

(Shading shows path(s) which usually limit speed)

Figure 6.

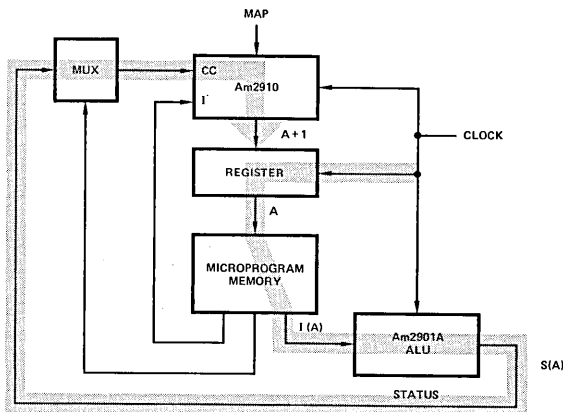
A. Instruction Based



A Register at the Microprogram Memory output contains the microinstruction being executed. The microprogram memory and Am2901A delay are in series. Conditional branches are executed on same cycle as the ALU operation generating the condition.

MPR-114

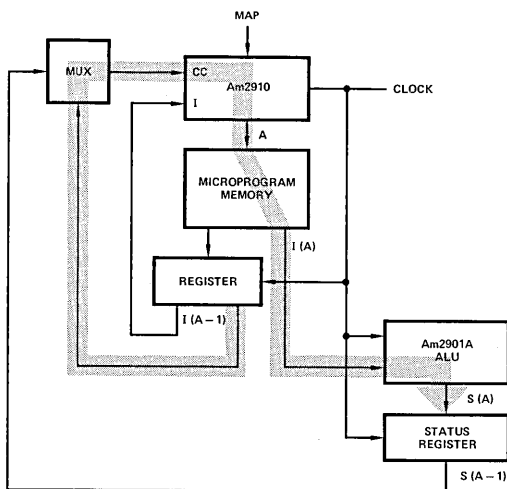
B. Addressed Based



The Register at the Am2910 output contains the address of the microinstruction being executed. The Microprogram Memory and Am2901A are in series in the critical path. This architecture provides about the same speed as the Instruction based architecture, but requires fewer register bits, since only the address (typically 10-12 bits) is stored instead of the instruction (typically 40-60 bits).

MPR-115

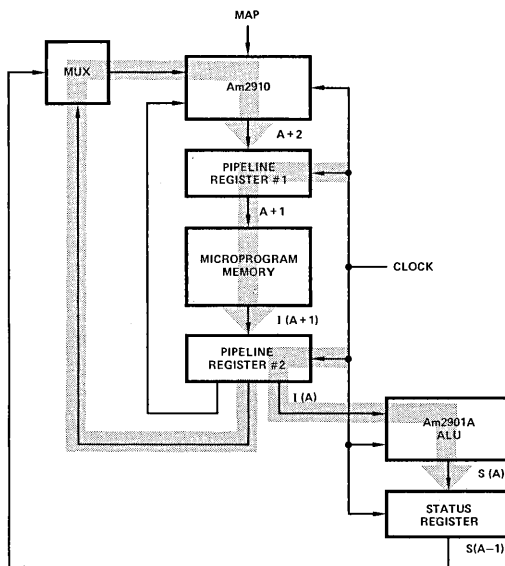
C. Data Based



The Status Register provides conditional Branch control based on results of previous ALU cycle. The Microprogram Memory and Am2901A are in series in the critical paths.

MPR-116

D. Two Level Pipeline Based



Two level pipeline provides highest possible speed. It is more difficult to program because the selection of a microinstruction occurs two instructions ahead of its execution.

MPR-117

Am2913

Priority Interrupt Expander

Distinctive Characteristics

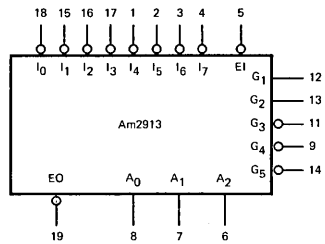
- Encodes eight lines to three-line binary
- Expands use of Am2914
- Cascadable
- Similar in function to Am54LS/74LS/25LS148/2513
- Gated three-state output
- Advanced Low-Power Schottky processing
- 100% reliability assurance testing in compliance with MIL-STD-883

FUNCTIONAL DESCRIPTION

The Low-Power Schottky Priority Interrupt Expander is an extension of the Am2900 series of Bipolar Processor family and is used to expand and prioritize the output of the Am2914 Priority Interrupt circuit. Affording an increase of vectored priority interrupt in groups of eight, this unit accepts active LOW inputs and produces a three-state active HIGH output prioritized from active \bar{T}_7 to \bar{T}_0 . The output is gated by five control signals, three active LOW and two active HIGH. Also provided is a cascade input ($\bar{E}I$) and Enable Output ($E\bar{O}$).

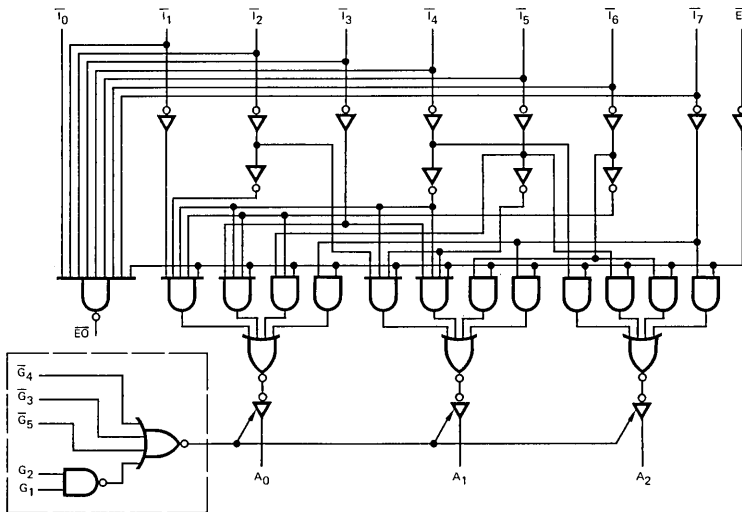
One Am2913 will accept and encode group signal lines from up to 8 Am2914's (64 levels of interrupt). Additional Am2913's may be used to encode more interrupt levels.

LOGIC SYMBOL



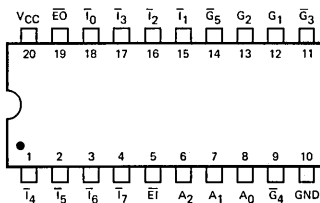
MPR-118

LOGIC DIAGRAM



MPR-119

CONNECTION DIAGRAM Top View



Note: Pin 1 is marked for orientation.

MPR-120

Am2913

ELECTRICAL CHARACTERISTICS

The Following Conditions Apply Unless Otherwise Specified:

COM'L $T_A = 0^\circ\text{C to } +70^\circ\text{C}$ $V_{CC} = 5.0\text{V} \pm 5\%$ MIN. = 4.75V MAX. = 5.25V
 MIL $T_A = -55^\circ\text{C to } +125^\circ\text{C}$ $V_{CC} = 5.0\text{V} \pm 10\%$ MIN. = 4.50V MAX. = 5.50V

DC CHARACTERISTICS OVER OPERATING RANGE

| Parameters | Description | Test Conditions (Note 1) | Min. | Typ. (Note 2) | Max. | Units | | |
|------------|---|--|---|------------------|------|---------------|-------|--|
| V_{OH} | Output HIGH Voltage | $V_{CC} = \text{MIN.}$ $V_{IN} = V_{IH} \text{ or } V_{IL}$ | MIL, $I_{OH} = -1.0\text{mA}$ | 2.4 | 3.4 | | Volts | |
| | | | COM'L, $I_{OH} = -2.6\text{mA}$ | 2.4 | 3.2 | | | |
| | | | \overline{EO} , $I_{OH} = -440\mu\text{A}$ | MIL | 2.5 | 3.4 | | |
| | | | | COM'L | 2.7 | 3.4 | | |
| V_{OL} | Output LOW Voltage | $V_{CC} = \text{MIN.}$ $V_{IN} = V_{IH} \text{ or } V_{IL}$ | $I_{OL} = 4.0\text{mA}$ | | 0.4 | Volts | | |
| | | | $I_{OL} = 8.0\text{mA}$ | | 0.45 | | | |
| | | | $I_{OL} = 12\text{mA}$ (A_n Outputs) | | 0.5 | | | |
| V_{IH} | Input HIGH Level | Guaranteed input logical HIGH voltage for all inputs | 2.0 | | | Volts | | |
| V_{IL} | Input LOW Level | Guaranteed input logical LOW voltage for all inputs | MIL | | 0.7 | Volts | | |
| | | | COM'L | | 0.8 | | | |
| V_I | Input Clamp Voltage | $V_{CC} = \text{MIN.}$, $I_{IN} = -18\text{mA}$ | | | -1.5 | Volts | | |
| I_{IL} | Input LOW Current | $V_{CC} = \text{MAX.}$ $V_{IN} = 0.4\text{V}$ | $\overline{E1}, G_1, G_2, \overline{G3}, \overline{G4}, \overline{G5}, \overline{I0}$ | | 0.4 | mA | | |
| | | | All others | | 0.8 | | | |
| I_{IH} | Input HIGH Current | $V_{CC} = \text{MAX.}$ $V_{IN} = 2.7\text{V}$ | $\overline{E1}, G_1, G_2, \overline{G3}, \overline{G4}, \overline{G5}, \overline{I0}$ | | 20 | μA | | |
| | | | All others | | 40 | | | |
| I_I | Input HIGH Current | $V_{CC} = \text{MAX.}$ $V_{IN} = 7.0\text{V}$ | $\overline{E1}, G_1, G_2, \overline{G3}, \overline{G4}, \overline{G5}, \overline{I0}$ | | 0.1 | mA | | |
| | | | All others | | 0.2 | | | |
| I_O | Off-State (High-Impedance) Output Current | $V_{CC} = \text{MAX.}$ | $V_O = 0.4\text{V}$ | | -20 | μA | | |
| | | | $V_O = 2.4\text{V}$ | | 20 | | | |
| I_{SC} | Output Short Circuit Current (Note 3) | $V_{CC} = \text{MAX.}$ | -15 | | -85 | mA | | |
| I_{CC} | Power Supply Current (Note 4) | $V_{CC} = \text{MAX.}$ | | 15 | 24 | mA | | |

- Notes: 1. For conditions shown as MIN. or MAX., use the appropriate value specified under Electrical Characteristics for the applicable device type.
 2. Typical limits are at $V_{CC} = 5.0\text{V}$, 25°C ambient and maximum loading.
 3. Not more than one output should be shorted at a time. Duration of the short circuit test should not exceed one second.
 4. All inputs and outputs open.

ORDERING INFORMATION

Order the part number according to the table below to obtain the desired package, temperature range, and screening level.

| Order Number | Package Type (Note 1) | Temperature Range (Note 2) | Screening Level (Note 3) |
|--------------|--------------------------|-------------------------------|--|
| AM2913PC | P-20 | C | C-1 |
| AM2913DC | D-20 | C | C-1 |
| AM2913DC-B | D-20 | C | B-1 |
| AM2913DM | D-20 | M | C-3 |
| AM2913DM-B | D-20 | M | B-3 |
| AM2913FM | F-20 | M | C-3 |
| AM2913FM-B | F-20 | M | B-3 |
| AM2913XC | Dice | C | Visual inspection to MIL-STD-883 Method 2010B. |
| AM2913XM | Dice | M | |

- Notes: 1. P = Molded DIP, D = Hermetic DIP, F = Flat Pak. Number following letter is number of leads. See Appendix B for detailed outline. Where Appendix B contains several dash numbers, any of the variations of the package may be used unless otherwise specified.
 2. C = $0^\circ\text{C to } +70^\circ\text{C}$, M = $-55^\circ\text{C to } +125^\circ\text{C}$.
 3. See Appendix A for details of screening. Levels C-1 and C-3 conform to MIL-STD-883, Class C. Level B-3 conforms to MIL-STD-883, Class B.

MAXIMUM RATINGS (Above which the useful life may be impaired)

| | |
|---|--------------------------------|
| Storage Temperature | -65°C to +150°C |
| Temperature (Ambient) Under Bias | -55°C to +125°C |
| Supply Voltage to Ground Potential Continuous | -0.5V to +7.0V |
| DC Voltage Applied to Outputs for High Output State | -0.5V to +V _{CC} max. |
| DC Input Voltage | -0.5V to +7.0V |
| DC Output Current, Into Outputs | 30mA |
| DC Input Current | -30mA to +5.0mA |

SWITCHING CHARACTERISTICS(T_A = +25°C, V_{CC} = 5.0V)

| Parameters | Description | Min. | Typ. | Max. | Units | Test Conditions |
|------------------|---|------|------|------|-------|--|
| t _{PLH} | \bar{I}_i to A _n (In-phase) | | 17 | 25 | ns | C _L = 15pF R _L = 2.0kΩ |
| t _{PHL} | | | 17 | 25 | | |
| t _{PLH} | \bar{I}_i to A _n (Out-phase) | | 11 | 17 | ns | |
| t _{PHL} | | | 12 | 18 | | |
| t _{PLH} | \bar{I}_i to $\bar{E}O$ | | 7.0 | 11 | ns | |
| t _{PHL} | | | 24 | 36 | | |
| t _{PLH} | $\bar{E}I$ to $\bar{E}O$ | | 11 | 17 | ns | |
| t _{PHL} | | | 23 | 34 | | |
| t _{PLH} | $\bar{E}I$ to A _n | | 12 | 18 | ns | |
| t _{PHL} | | | 14 | 21 | | |
| t _{ZH} | G ₁ or G ₂ to A _n | | 23 | 40 | ns | |
| t _{ZL} | | | 20 | 37 | | |
| t _{ZH} | $\bar{G}_3, \bar{G}_4, \bar{G}_5$ to A _n | | 20 | 30 | ns | |
| t _{ZL} | | | 18 | 27 | | |
| t _{HZ} | G ₁ or G ₂ to A _n | | 17 | 27 | ns | C _L = 5.0pF R _L = 2.0kΩ |
| t _{LZ} | | | 19 | 28 | | |
| t _{HZ} | $\bar{G}_3, \bar{G}_4, \bar{G}_5$ to A _n | | 16 | 24 | ns | |
| t _{LZ} | | | 18 | 27 | | |

SWITCHING CHARACTERISTICS OVER OPERATING RANGE*

| Parameters | Description | Am2913 COM'L | | Am2913 MIL | | Units | Test Conditions |
|------------------|---|--------------|------|------------|------|-------|--|
| | | Min. | Max. | Min. | Max. | | |
| t _{PLH} | \bar{I}_i to A _n (In-phase) | | 31 | | 37 | ns | C _L = 50pF R _L = 2.0kΩ |
| t _{PHL} | | | 30 | | 34 | | |
| t _{PLH} | \bar{I}_i to A _n (Out-phase) | | 22 | | 27 | ns | |
| t _{PHL} | | | 22 | | 25 | | |
| t _{PLH} | \bar{I}_i to $\bar{E}O$ | | 15 | | 18 | ns | |
| t _{PHL} | | | 48 | | 60 | | |
| t _{PLH} | $\bar{E}I$ to $\bar{E}O$ | | 19 | | 21 | ns | |
| t _{PHL} | | | 46 | | 57 | | |
| t _{PLH} | $\bar{E}I$ to A _n | | 22 | | 25 | ns | |
| t _{PHL} | | | 27 | | 32 | | |
| t _{ZH} | G ₁ or G ₂ to A _n | | 42 | | 49 | ns | |
| t _{ZL} | | | 43 | | 49 | | |
| t _{ZH} | $\bar{G}_3, \bar{G}_4, \bar{G}_5$ to A _n | | 36 | | 43 | ns | |
| t _{ZL} | | | 35 | | 43 | | |
| t _{HZ} | G ₁ or G ₂ to A _n | | 34 | | 40 | ns | C _L = 5.0pF R _L = 2.0kΩ |
| t _{LZ} | | | 34 | | 40 | | |
| t _{HZ} | $\bar{G}_3, \bar{G}_4, \bar{G}_5$ to A _n | | 30 | | 35 | ns | |
| t _{LZ} | | | 31 | | 35 | | |

*AC performance over the operating temperature range is guaranteed by testing defined in Group A, Subgroup 9.

Note: i = 0 to 7
n = 0 to 2

DEFINITIONS OF FUNCTIONAL TERMS

- A0, A1, A2** Three-state, active high encoder outputs
- EI** Enable input provided to allow cascaded operation
- \overline{EO}** Enable output provided to enable the next lower order priority chip
- G1, G2** Active high three-state output controls
- $\overline{G3}, \overline{G4}, \overline{G5}$** Active low three-state output controls
- $\overline{T0-7}$** Active low encoder inputs

TRUTH TABLE

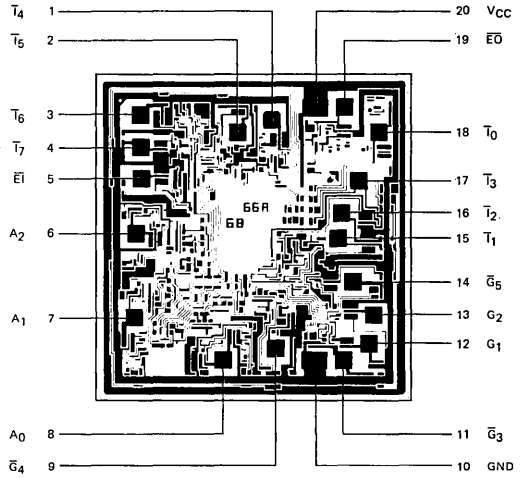
| Inputs | | | | | | | | Outputs | | | | |
|-----------------|-----------------|-----------------|-----------------|-----------------|-----------------|-----------------|-----------------|-----------------|----|----|----|-----------------|
| \overline{EI} | $\overline{T0}$ | $\overline{T1}$ | $\overline{T2}$ | $\overline{T3}$ | $\overline{T4}$ | $\overline{T5}$ | $\overline{T6}$ | $\overline{T7}$ | A0 | A1 | A2 | \overline{EO} |
| H | X | X | X | X | X | X | X | X | L | L | L | H |
| L | H | H | H | H | H | H | H | H | L | L | L | L |
| L | X | X | X | X | X | X | X | L | H | H | H | H |
| L | X | X | X | X | X | X | L | H | L | H | H | H |
| L | X | X | X | X | L | H | H | H | L | L | H | H |
| L | X | X | X | L | H | H | H | H | L | L | H | H |
| L | X | X | L | H | H | H | H | H | L | L | H | H |
| L | X | L | H | H | H | H | H | H | L | L | H | H |
| L | L | H | H | H | H | H | H | H | L | L | L | H |
| L | L | H | H | H | H | H | H | L | L | L | L | H |

H = HIGH Voltage Level
 L = LOW Voltage Level
 X = Don't Care
 For G1 = H, G2 = H, G3 = L, G4 = L, G5 = L

| G1 | G2 | G3 | G4 | G5 | A0 | A1 | A2 |
|----|----|----|----|----|---------|----|----|
| H | H | L | L | L | Enabled | | |
| L | X | X | X | X | Z | Z | Z |
| X | L | X | X | X | Z | Z | Z |
| X | X | H | X | X | Z | Z | Z |
| X | X | X | H | X | Z | Z | Z |
| X | X | X | X | H | Z | Z | Z |

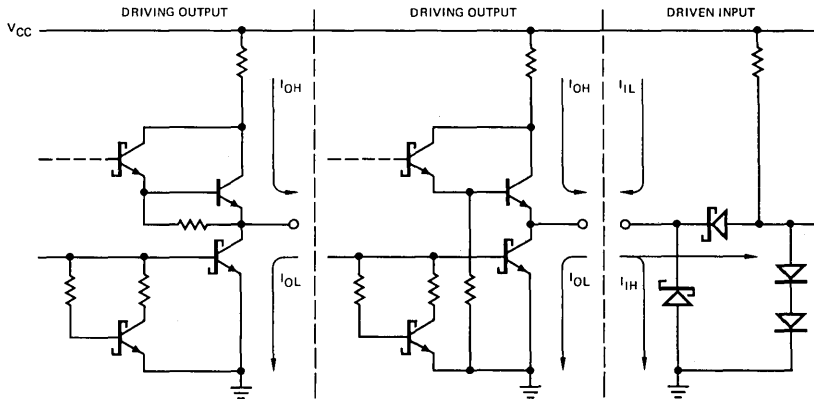
Z = HIGH Impedance

Metallization and Pad Layout



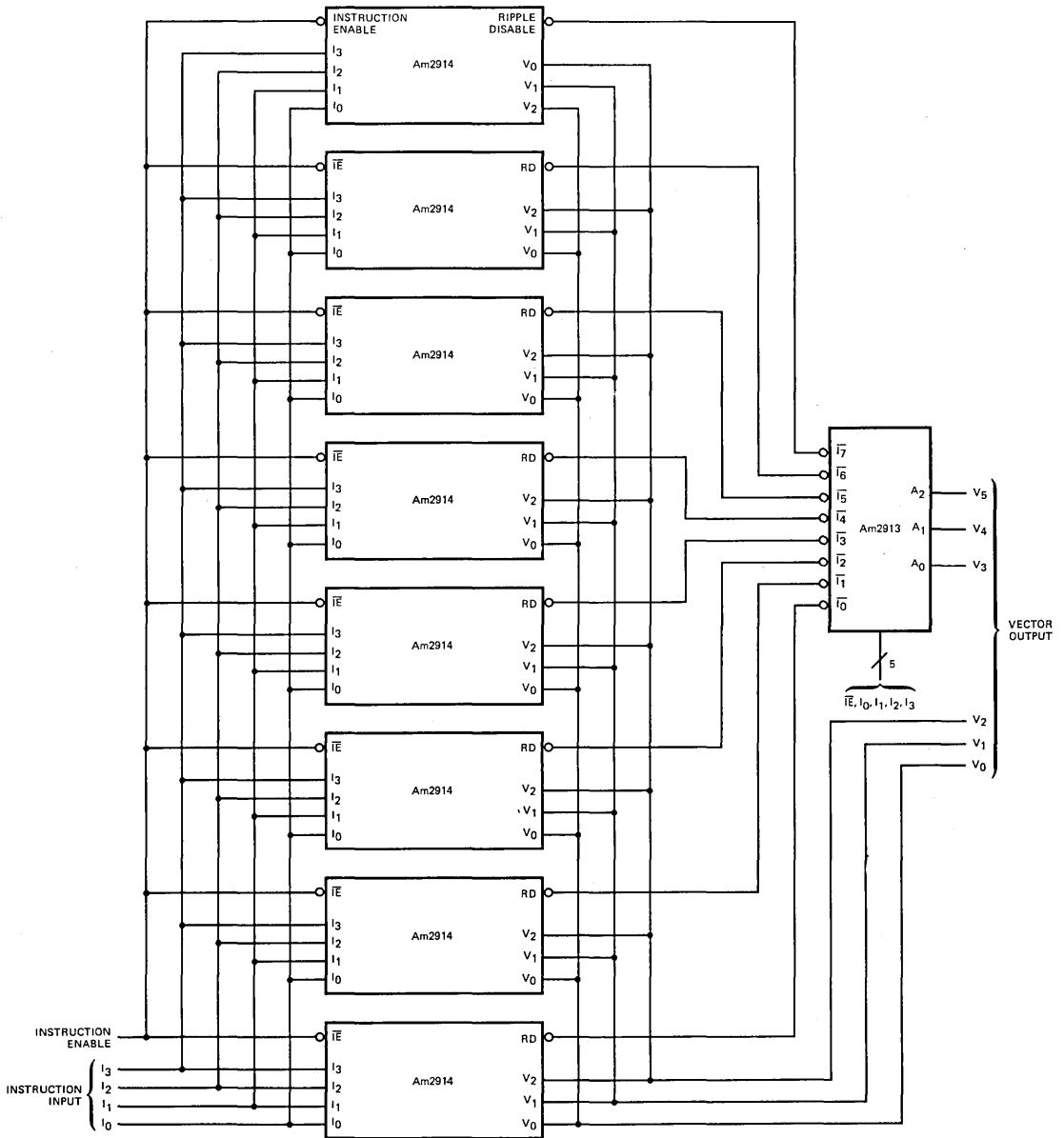
DIE SIZE 0.082" X 0.085"

LOW-POWER SCHOTTKY INPUT/OUTPUT CURRENT INTERFACE CONDITIONS



Note: Actual current flow direction shown.

APPLICATION



Shown above is the connection of the instruction lines and vector output lines in a 64-input priority interrupt system. The Am2913 is used to encode the most significant bits associated with the vector output.

Am2914

Vectored Priority Interrupt Controller

DISTINCTIVE CHARACTERISTICS

- Accepts 8 interrupt inputs
Interrupts may be pulses or levels and are stored internally
- Built-in mask register
Six different operations can be performed on mask register
- Built-in status register
Status register holds code for lowest allowed interrupt
- Vectored output
Output is binary code for highest priority un-masked interrupt
- Expandable
Any number of Am2914's may be stacked for large interrupt systems
- Microprogrammable
Executes 16 different microinstructions
Instruction enable pin aids in vertical microprogramming
- High-speed operation
Delay from an interrupt clocked into the interrupt register to interrupt request output is typically 60 ns

FUNCTIONAL DESCRIPTION

The Am2914 is a high-speed, eight-bit priority interrupt unit that is cascadable to handle any number of priority interrupt request levels. The high-speed of the Am2914 makes it ideal for use in Am2900 family microcomputer designs, but it can also be used with the Am9080A MOS microprocessor.

The Am2914 receives interrupt requests on 8 interrupt input lines (P₀-P₇). A LOW level is a request. An internal latch may be used to catch pulses on these lines, or the latch may be bypassed so the request lines drive the edge-triggered interrupt register directly. An 8-bit mask register is used to mask individual interrupts. Considerable flexibility is provided for controlling the mask register. Requests in the interrupt register are ANDed with the corresponding bits in the mask register and the results are sent to an 8-input priority encoder, which produces a three bit encoded vector representing the highest numbered input which is not masked.

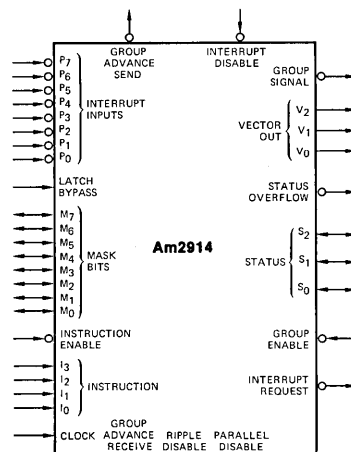
An internal status register is used to point to the lowest priority at which an interrupt will be accepted. The contents of the status register are compared with the output of the priority encoder, and an interrupt request output will occur if the vector is greater than or equal to status. Whenever a vector is read from the Am2914 the status register is automatically updated to point to one level higher than the vector read. (The status register can be loaded externally or read out at any time using the S pins.) Signals are provided for moving the status upward across devices (Group Advance Send and Group Advance Receive) and for inhibiting lower priorities from higher order devices (Ripple Disable, Parallel Disable, and Interrupt Disable). A status overflow output indicates that an interrupt has been read at the highest priority.

The Am2914 is controlled by a 4-bit instruction field I₀-I₃. The command on the instruction lines is executed if IE is LOW and is ignored if IE is HIGH, allowing the 4 I bits to be shared with other devices.

TABLE OF CONTENTS

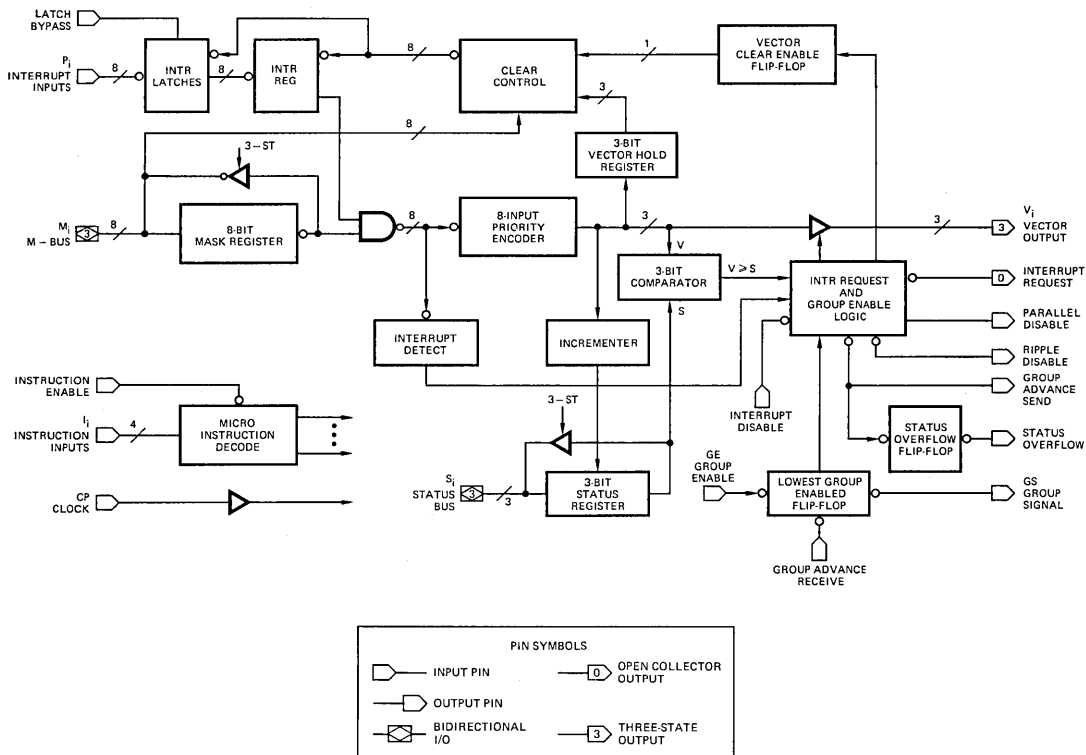
| | |
|----------------------------------|-------|
| Block Diagram | 2-107 |
| Connection Diagrams | 2-108 |
| Instructions | 2-108 |
| Ordering Information | 2-109 |
| DC Characteristics | 2-110 |
| AC Characteristics | 2-111 |
| Burn-in Circuit | 2-113 |
| Applications | 2-114 |
| Detailed Logic Description | 2-130 |

LOGIC SYMBOL



MPR-123

BLOCK DIAGRAM



MPR-124

BLOCK DIAGRAM DESCRIPTION

The Microinstruction Decode circuitry decodes the Interrupt Microinstructions and generates required control signals for the chip.

The Interrupt Register holds the Interrupt Inputs and is an eight-bit, edge-triggered register which is set on the rising edge of the CP Clock signal.

The Interrupt latches are set/reset-type latches. When the Latch Bypass signal is LOW, the latches are enabled and act as negative pulse catchers on the inputs to the Interrupt Register. When the Latch Bypass signal is HIGH, the Interrupt Register is transparent.

The Mask Register holds the eight mask bits associated with the eight interrupt levels. The register may be loaded from or read to the M Bus. Also, the entire register or individual mask bits may be set or cleared.

The Interrupt Detect circuitry detects the presence of any unmasked Interrupt Input. The eight-input Priority Encoder determines the highest priority, non-masked Interrupt Input and forms a binary coded interrupt vector. Following a Vector Read, the three-bit Vector Hold Register holds the binary coded interrupt vector. This stored vector is used for clearing interrupts.

The three-bit Status Register holds the status bits and may be loaded from or read to the S Bus. During a Vector Read, the Incrementer increments the interrupt vector by one, and the result is clocked into the Status Register. Thus the Status

Register always points to the lowest level at which an interrupt will be accepted.

The three-bit Comparator compares the Interrupt Vector with the contents of the Status Register and indicates if the Interrupt Vector is greater than or equal to the contents of the Status Register.

The Lowest Group Enabled Flip-Flop is used when a number of 2914's are cascaded. In a cascaded system, only one Lowest Group Enabled Flip-Flop is LOW at a time. It indicates the eight interrupt group, which contains the lowest priority interrupt level which will be accepted and is used to form the higher order status bits.

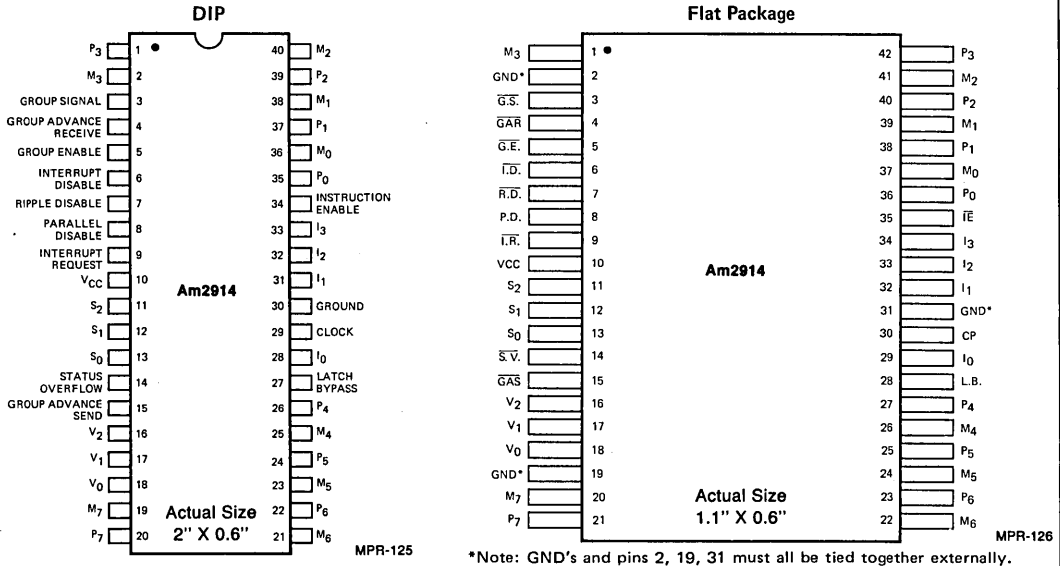
The Interrupt Request and Group Enable logic contain various gating to generate the Interrupt Request, Parallel Disable, Ripple Disable, and Group Advance Send signals.

The Status Overflow signal is used to disable all interrupts. It indicates the highest priority interrupt vector has been read and the Status Register has overflowed.

The Clear Control logic generates the eight individual clear signals for the bits in the Interrupt Latches and Register. The Vector Clear Enable Flip-Flop indicates if the last vector read was from this group. When it is set, it enables the Clear Control Logic.

The CP clock signal is used to clock the Interrupt Register, Mask Register, Status Register, Vector Hold Register, and the Lowest Group Enabled, Vector Clear Enable and Status Overflow Flip-Flops, all on the clock LOW-to-HIGH transition.

CONNECTION DIAGRAMS – Top Views



Metallization and Pad Layout

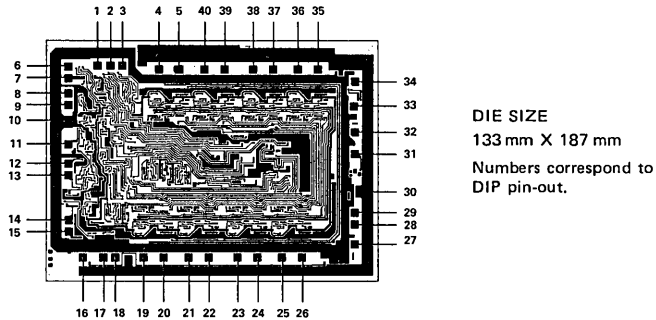


TABLE I
MICROINSTRUCTION SET FOR Am2914 PRIORITY INTERRUPT CIRCUIT

| Decimal $i_3i_2i_1i_0$ | Mnemonic | Instruction | Decimal $i_3i_2i_1i_0$ | Mnemonic | Instruction |
|---------------------------|----------|---|---------------------------|----------|---|
| 14 | LDM | Mask Register Functions Load mask register from M bus | 5 | RDVC | Vectored Output Read vector output to V outputs, load V+1 into status register, load V into vector hold register and set vector clear enable flip-flop. |
| 7 | RDM | Read mask register to M bus | 1 | CLRIN | Priority Interrupt Register Clear Clear all interrupts |
| 12 | CLRM | Clear mask register (enables all priorities) | 3 | CLRMR | Clear interrupts from mask register data (uses the M bus) |
| 8 | SETM | Set mask register (inhibits all interrupts) | 2 | CLRMB | Clear interrupts from M bus data |
| 10 | BCLRM | Bit clear mask register from M bus | 4 | CLRVC | Clear the individual interrupt associated with the last vector read |
| 11 | BSETM | Bit set mask register from M bus | 0 | MCLR | Master Clear Clear all interrupts, clear LGE mask register, clear status register, clear LGE flip-flop, enable interrupt request. |
| 9 | LDSTA | Status Register Functions Load status register from S bus and LGE flip-flop from GE input | | | |
| 6 | RDSTA | Read status register to S bus | | | |
| 15 | ENIN | Interrupt Request Control Enable interrupt request | | | |
| 13 | DISIN | Disable interrupt request | | | |

STANDARD SCREENING
(Conforms to MIL-STD-883 for Class C Parts)

| Step | MIL-STD-883 Method | Conditions | Level | |
|--|--------------------|--|--------------|--------------|
| | | | Am2914PC, DC | Am2914DM, FM |
| Pre-Seal Visual Inspection | 2010 | B | 100% | 100% |
| Stabilization Bake | 1008 | C 24-hour 150°C | 100% | 100% |
| Temperature Cycle | 1010 | C -65°C to +150°C 10 cycles | 100% | 100% |
| Centrifuge | 2001 | B 10,000 G | 100% * | 100% |
| Fine Leak | 1014 | A 5×10^{-8} atm-cc/sec | 100% * | 100% |
| Gross Leak | 1014 | C2 Fluorocarbon | 100% * | 100% |
| Electrical Test Subgroups 1 and 7 | 5004 | See below for definitions of subgroups | 100% | 100% |
| Insert Additional Screening here for Class B Parts | | | | |
| Group A Sample Tests | | | | |
| Subgroup 1 | 5005 | See below for definitions of subgroups Maximum accept number is 3 | LTPD = 5 | LTPD = 5 |
| Subgroup 2 | | | LTPD = 7 | LTPD = 7 |
| Subgroup 3 | | | LTPD = 7 | LTPD = 7 |
| Subgroup 7 | | | LTPD = 7 | LTPD = 7 |
| Subgroup 8 | | | LTPD = 7 | LTPD = 7 |
| Subgroup 9 | | | LTPD = 7 | LTPD = 7 |

*Not applicable for Am2914PC.

ORDERING INFORMATION

Order the part number according to the table below to obtain the desired package, temperature range, and screening level.

| Order Number | Package Type (Note 1) | Temperature Range (Note 2) | Screening Level (Note 3) |
|--------------|--------------------------|-------------------------------|--|
| AM2914PC | P-40 | C | C-1 |
| AM2914DC | D-40 | C | C-1 |
| AM2914DC-B | D-40 | C | B-1 |
| AM2914DM | D-40 | M | C-3 |
| AM2914DM-B | D-40 | M | B-3 |
| AM2914FM | F-42 | M | C-3 |
| AM2914FM-B | F-42 | M | B-3 |
| AM2914XC | Dice | C | Visual inspection to MIL-STD-883 Method 2010B. |
| AM2914XM | Dice | M | |

Notes: 1. P = Molded DIP, D = Hermetic DIP, F = Flat Pak. Number following letter is number of leads. See Appendix B for detailed outline. Where Appendix B contains several dash numbers, any of the variations of the package may be used unless otherwise specified.

2. C = 0°C to +70°C, M = -55°C to +125°C.

3. See Appendix A for details of screening. Levels C-1 and C-3 conform to MIL-STD-883, Class C. Level B-3 conforms to MIL-STD-883, Class B.

Am2914

MAXIMUM RATINGS (Above which the useful life may be impaired)

| | |
|---|--------------------------------|
| Storage Temperature | -65°C to +150°C |
| Temperature (Ambient) Under Bias | -55°C to +125°C |
| Supply Voltage to Ground Potential | -0.5V to +7.0V |
| DC Voltage Applied to Outputs for High Output State | +0.5V to +V _{CC} max. |
| DC Input Voltage | -0.5V to 5.5V |
| DC Output Current, Into Outputs | 30mA |
| DC Input Current | -30mA to +5.0mA |

OPERATING RANGE

| P/N | Temperature | V _{CC} |
|--------------|-----------------|-----------------|
| Am2914PC, DC | 0°C to +70°C | 4.75V to 5.25V |
| Am2914DM, FM | -55°C to +125°C | 4.50V to 5.50V |

ELECTRICAL CHARACTERISTICS OVER OPERATING TEMPERATURE RANGE (Unless Otherwise Noted)

(Group A, Subgroups 1, 2, and 3)

| | | | | |
|----------|----------------------------------|-------------------------------------|--------------|--------------|
| Am2914XC | T _A = 0°C to +70°C | V _{CC} = 5.0V ± 5% (COM'L) | MIN. = 4.75V | MAX. = 5.25V |
| Am2914XM | T _C = -55°C to +125°C | V _{CC} = 5.0V ± 10% (MIL) | MIN. = 4.50V | MAX. = 5.50V |

| Parameters | Description | Test Conditions (Note 1) | Min. | Typ. (Note 2) | Max. | Units | |
|------------------|---------------------------------------|---|--|------------------|---|--------------------------|----|
| V _{OH} | Output HIGH Voltage | V _{CC} = MIN., V _{IN} = V _{IH} or V _{IL} | MIL, I _{OH} = -1.0mA 2.4 COM'L, I _{OH} = -2.6mA 2.4 | | | Volts | |
| I _{CEX} | Output Leakage Current for IR Output | V _{CC} = MIN., V _O = 5.5V | | | 250 | μA | |
| V _{OL} | Output LOW Voltage | V _{CC} = MIN., V _{IN} = V _{IH} or V _{IL} | I _{OL} = 4.0mA I _{OL} = 8.0mA I _{OL} = 12mA | | 0.4 0.45 0.5 | Volts | |
| V _{IH} | Input HIGH Level | Guaranteed input logical HIGH voltage for all inputs | 2.0 | | | Volts | |
| V _{IL} | Input LOW Level | Guaranteed input logical LOW voltage for all inputs | | | 0.8 | Volts | |
| V _I | Input Clamp Voltage | V _{CC} = MIN., I _{IN} = -18mA | | | -1.5 | Volts | |
| I _{IL} | Input LOW Current | V _{CC} = MAX., V _{IN} = 0.4V | M0-7 S0-2 L. B. I. D. All Others | | -0.15 -0.1 -0.4 -2.0 -0.8 | mA | |
| I _{IH} | Input HIGH Current | V _{CC} = MAX., V _{IN} = 5.5V | I _E , G _E , G _{AR} , S0-2 M0-7, I. D. All Others | | 40 60 20 | μA | |
| I _I | Input HIGH Current | V _{CC} = MAX., V _{IN} = 5.5V | | | 1.0 | mA | |
| I _O | Off-State Output Current | V _{CC} = MAX. | V _{OUT} = 0.5V M0-7 S0-2 V0-2 V _{OUT} = 2.4V M0-7 S0-2 V0-2 | | -150 -100 -50 150 100 50 | μA | |
| I _{CC} | Power Supply Current | V _{CC} = 5.0V, 25°C | | 170 | - | mA | |
| | | V _{CC} = MAX. | COM'L MIL | | 0°C 70°C -55°C 125°C | 305 250 310 200 | mA |
| I _{SC} | Output Short Circuit Current (Note 3) | V _{CC} = MAX. | | -40 | -100 | mA | |

- Notes: 1. For conditions shown as MIN. or MAX., use the appropriate value specified under Electrical Characteristics for the applicable device type.
 2. Typical limits are at V_{CC} = 5.0V, 25°C ambient and maximum loading.
 3. Not more than one output should be shorted at a time. Duration of the short circuit test should not exceed one second.

SWITCHING CHARACTERISTICS AT 25°C AND 5.0 VOLTS

Note: Guaranteed limits at 25°C and 5.0V are group A, subgroup 9 tests
All outputs fully loaded. $C_L = 50\text{pF}$. Measurements made at 1.5V with
input levels of 0V and 3.0V. All numbers are in ns.

For interrupt request output, $R_L = 470\Omega$

TABLE I. CLOCK AND INTERRUPT INPUT PULSE WIDTHS (ns)

| Time | GUARANTEED |
|---|------------|
| Minimum Clock LOW Time | 30 |
| Minimum Clock HIGH Time | 30 |
| Minimum Interrupt Input (P ₀ -P ₇) LOW Time for Guaranteed Acceptance (Pulse Mode) | 25 |
| Maximum Interrupt Input (P ₀ -P ₇) LOW Time for Guaranteed Rejection (Pulse Mode) | 10 |

TABLE II. COMBINATIONAL PROPAGATION DELAYS (ns)

| To Output From Input | TYPICAL | | | | | | GUARANTEED | | | | | |
|-------------------------|---------|-------|------------------|----------|----------------|--------------------|------------|-------|------------------|----------|----------------|--------------------|
| | M Bus | S Bus | V ₀₁₂ | Irpt Req | Ripple Disable | Group Advance Send | M Bus | S Bus | V ₀₁₂ | Irpt Req | Ripple Disable | Group Advance Send |
| $\overline{\text{IE}}$ | 36 | 40 | 40 | — | — | 30 | 48 | 55 | 55 | — | — | 47 |
| I ₀₁₂₃ | 36 | 40 | 40 | — | — | 30 | 48 | 55 | 55 | — | — | 47 |
| Irpt. Disable | — | — | 25 | 35 | 8 | 19 | — | — | 37 | 42 | 13 | 23 |

$R_L = 2.0\text{k}\Omega$, $C_L = 15\text{pF}$

TABLE III. DELAYS FROM CLOCK TO OUTPUTS (ns)

| Clock Path | TYPICAL | | | | | | | GUARANTEED | | | | | | |
|--------------------------------|---------------------|-------------|-------|-------|--------|------------------|-------|---------------------|-------------|-------|-------|--------|------------------|-------|
| | To V ₀₁₂ | To Irpt Req | To PD | To RD | To GAS | To Status O'flow | To GS | To V ₀₁₂ | To Irpt Req | To PD | To RD | To GAS | To Status O'flow | To GS |
| Irpt Latches and Register | 55 | 65 | 37 | 39 | 47 | — | — | 67 | 82 | 57 | 57 | 66 | — | — |
| Mask Register | 55 | 65 | 37 | 39 | 47 | — | — | 67 | 82 | 57 | 57 | 66 | — | — |
| Status Register | 45 | 55 | 28 | 31 | 37 | — | — | 59 | 74 | 57 | 57 | 58 | — | — |
| Lowest Group Enabled Flip-Flop | — | — | 22 | 25 | — | — | 17 | — | — | 42 | 45 | — | — | 32 |
| Irpt Request Enable Flip-Flop | — | 40 | — | — | — | — | — | — | 56 | — | — | — | — | — |
| Status Overflow Flip-Flop | — | — | — | — | — | 17 | — | — | — | — | — | — | 25 | — |

TABLE IV. SET-UP AND HOLD TIME REQUIREMENTS (ns)
(All relative to clock LOW-to-HIGH transition)

| From Input | GUARANTEED | |
|---|-----------------------|-----------|
| | Set-up Time | Hold Time |
| S-Bus | 11 | 8 |
| M-Bus | 11 | 8 |
| P ₀ -P ₇ | 11 | 6 |
| Latch Bypass | 16 | 0 |
| $\overline{\text{IE}}$ | 46 | 0 |
| I ₀₁₂₃ (See Note) | $t_{\text{pwL}} + 29$ | 0 |
| $\overline{\text{GE}}$ | 11 | 11 |
| GAR | 11 | 11 |
| Irpt Disable | 35 | 0 |
| P ₀ -P ₇ Hold Time Relative to LB | — | 16 |

Note: t_{pwL} is the Clock LOW Time. Both Set-up times must be met.

Am2914

SWITCHING CHARACTERISTICS OVER OPERATING VOLTAGE AND TEMPERATURE RANGE

(Group A, subgroup 10 and 11 tests and limits)

All outputs fully loaded, $C_L = 50\text{pF}$. Measurements made at 1.5V with input levels of 0V and 3.0V. For Interrupt Request Output, $R_L = 470\Omega$.

TABLE V. CLOCK AND INTERRUPT INPUT PULSE WIDTHS (ns)

| Time | Am2914PC, DC, XC $T_A = 0^\circ\text{C to } +70^\circ\text{C}, 5\text{V} \pm 5\%$ | Am2914DM, FM, XM $T_C = -55^\circ\text{C to } +125^\circ\text{C}, 5\text{V} \pm 10\%$ |
|---|--|--|
| Minimum Clock LOW Time | 30 | 30 |
| Minimum Clock HIGH Time | 30 | 30 |
| Minimum Interrupt Input (P_0 - P_7) LOW Time for Guaranteed Acceptance (Pulse Mode) | 40 | 40 |
| Maximum Interrupt Input (P_0 - P_7) LOW Time for Guaranteed Rejection (Pulse Mode) | 8 | 8 |
| Minimum Clock Period, $\overline{I\bar{E}} = \text{H}$ on current cycle and previous cycle | 50 | 55 |
| Minimum Clock Period, $\overline{I\bar{E}} = \text{L}$ on current cycle or previous cycle | 100 | 110 |

TABLE VI. MAXIMUM COMBINATIONAL PROPAGATION DELAYS (ns)

| To Output From Input | Am2914PC, DC, XC $T_A = 0^\circ\text{C to } +70^\circ\text{C}, 5\text{V} \pm 5\%$ | | | | | | Am2914DM, FM, XM $T_C = -55^\circ\text{C to } +125^\circ\text{C}, 5\text{V} \pm 10\%$ | | | | | |
|-------------------------|--|-------|-----------|----------|----------------|--------------------|--|-------|-----------|----------|----------------|--------------------|
| | M Bus | S Bus | V_{012} | Irpt Req | Ripple Disable | Group Advance Send | M Bus | S Bus | V_{012} | Irpt Req | Ripple Disable | Group Advance Send |
| $\overline{I\bar{E}}$ | 52 | 60 | 60 | — | — | 56 | 60 | 68 | 68 | — | — | 62 |
| I_{0123} | 52 | 60 | 60 | — | — | 56 | 60 | 68 | 68 | — | — | 62 |
| Irpt. Disable | — | — | 40 | 52 | 14 | 27 | — | — | 46 | 60 | 15 | 33 |

$R_L = 2.0\text{k}\Omega, C_L = 15\text{pF}$

TABLE VII. MAXIMUM DELAYS FROM CLOCK TO OUTPUTS (ns)

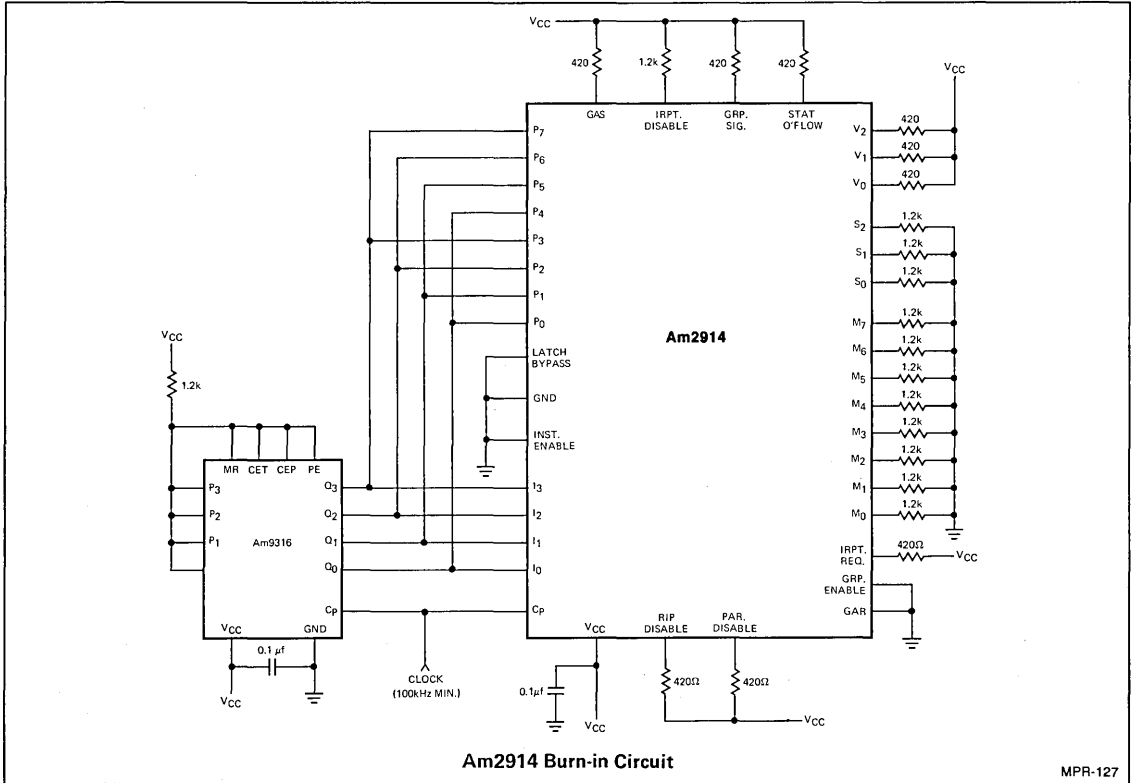
| Clock Path | Am2914PC, DC, XC $T_A = 0^\circ\text{C to } +70^\circ\text{C}, 5\text{V} \pm 5\%$ | | | | | | | Am2914DM, FM, XM $T_C = -55^\circ\text{C to } +125^\circ\text{C}, 5\text{V} \pm 10\%$ | | | | | | |
|--------------------------------|--|----------------------|-------------|-------------|--------------|---------------------------|-------------|--|----------------------|-------------|-------------|--------------|---------------------------|-------------|
| | T_o V_{012} | T_o Irpt Req | T_o PD | T_o RD | T_o GAS | T_o Status O'flow | T_o GS | T_o V_{012} | T_o Irpt Req | T_o PD | T_o RD | T_o GAS | T_o Status O'flow | T_o GS |
| Irpt Latches and Register | 76 | 97 | 67 | 67 | 80 | — | — | 82 | 105 | 75 | 75 | 85 | — | — |
| Mask Register | 76 | 97 | 67 | 67 | 80 | — | — | 82 | 105 | 75 | 75 | 85 | — | — |
| Status Register | 67 | 88 | 63 | 63 | 70 | — | — | 73 | 96 | 66 | 66 | 76 | — | — |
| Lowest Group Enabled Flip-Flop | — | — | 48 | 52 | — | — | 38 | — | — | 54 | 58 | — | — | 45 |
| Irpt Request Enable Flip-Flop | — | 62 | — | — | — | — | — | — | 66 | — | — | — | — | — |
| Status Overflow Flip-Flop | — | — | — | — | — | 30 | — | — | — | — | — | — | 35 | — |

TABLE VIII. SET-UP AND HOLD TIME REQUIREMENTS (ns)

(All relative to clock LOW-to-HIGH transition)

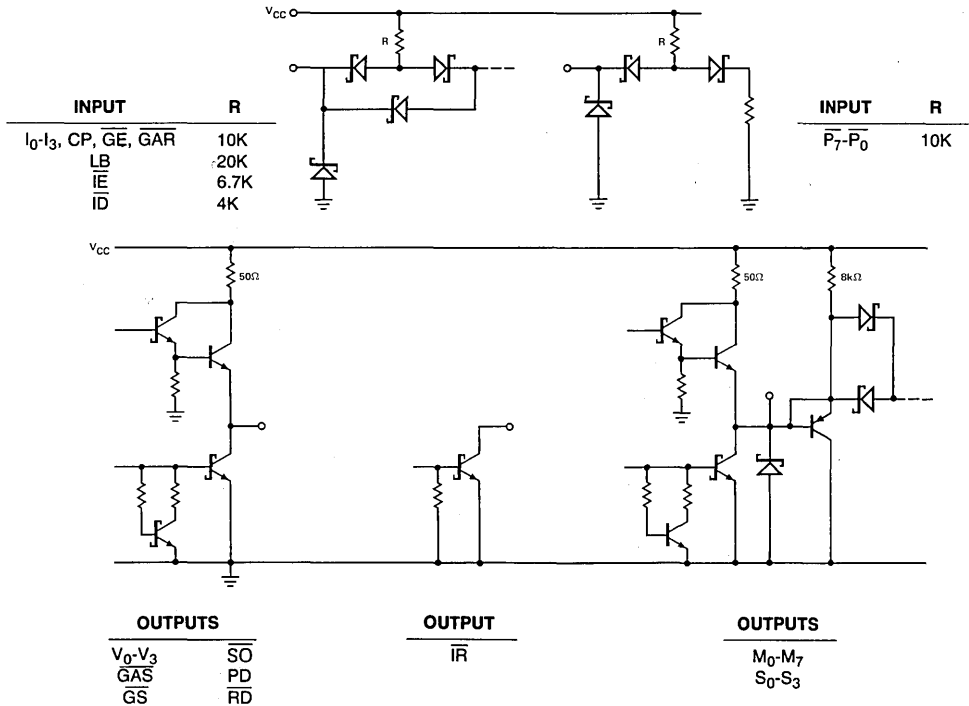
| From Input | Am2914PC, DC, XC $T_A = 0^\circ\text{C to } +70^\circ\text{C}, 5\text{V} \pm 5\%$ | | Am2914DM, FM, XM $T_C = -55^\circ\text{C to } +125^\circ\text{C}, 5\text{V} \pm 10\%$ | |
|--|--|-----------|--|-----------|
| | Set-Up Time | Hold Time | Set-Up Time | Hold Time |
| S-Bus | 15 | 10 | 15 | 10 |
| M-Bus | 15 | 10 | 15 | 10 |
| $\overline{P_0}$ - $\overline{P_7}$ | 15 | 8 | 15 | 8 |
| Latch Bypass | 20 | 0 | 20 | 0 |
| $\overline{I\bar{E}}$ I_{0123} (See Note) | 55 $t_{pwL} + 33$ | 0 | 55 $t_{pwL} + 40$ | 0 |
| $\overline{G\bar{E}}$ | 15 | 13 | 15 | 13 |
| $\overline{G\bar{A}R}$ | 15 | 13 | 15 | 13 |
| Irpt Disable | 42 | 0 | 42 | 0 |
| P_0 - P_7 Hold Time Relative to LB | — | 20 | — | 20 |

Note: t_{pwL} is the Clock LOW Time. Both Set-up times must be met.



MPR-127

INPUT/OUTPUT CIRCUITS



MPR-128

A MICROPROGRAMMABLE, BIPOLAR, LSI INTERRUPT STRUCTURE USING THE Am2914

INTRODUCTION

Advanced Micro Devices' introduction of the Am2914 Vectored Priority Interrupt Controller now makes possible the structuring of a microprogrammable bipolar LSI interrupt system. The design engineer may use the Am2914 to simplify his design process, dramatically reduce the system cost, size and package count, and increase the speed, capability and reliability of his interrupt system.

The Am2914 is a modular, low cost, standard LSI component that may be microprogrammed to meet the requirements of specific applications. Today's engineer may utilize the Am2914 microprogrammability to provide functional flexibility and ease of engineering change, while taking advantage of its modularity to provide hardware regularity and future expansion capability.

THE INTERRUPT CONCEPT

In any state machine, a requirement exists for the efficient synchronization and response to asynchronous events such as power failure, machine malfunctions, control panel service requests, external timer signals, supervisory calls, program errors, and input/output device service requests. The merit of such an "asynchronous event handler" may be measured in terms of response time, system throughput, real time overhead, hardware cost and memory space required.

The simplest approach to asynchronous event handling is the poll approach. A status indicator is associated with each possible asynchronous event. The processor tests each indicator in sequence and, in effect, "asks" if service is required. This program-driven method is inefficient for a number of reasons. Much time is consumed polling when no service is required; programs must have frequent test points to poll indicators, and since indicators are polled in sequence, considerable time may elapse before the processor responds to an event. Thus, system throughput is low; real time overhead and response time are high, and a large memory space is required.

The interrupt method is a much more efficient way of servicing asynchronous requests. An asynchronous event requiring service generates an interrupt request signal to the processor. When the processor receives the interrupt request, it may suspend the program it is currently executing, execute an interrupt service routine which services the asynchronous request, then resume the execution of the suspended program. In this system, the execution of the service routine is initiated by an interrupt request; thus, the system is interrupt driven and service routines are executed only when service is requested. Although hardware cost may be higher in this type of system, it is more efficient since system throughput is higher, response time is faster, real time overhead is lower and less memory space is required.

INTERRUPT SYSTEM FUNCTIONAL DEFINITION

A complete and clear functional definition is key to the design of a good interrupt system. The following features are useful.

Multiple Interrupt Request Handling: Since interrupt requests are generated from a number of different sources, the interrupt system's ability to handle interrupt requests from several sources is important.

Interrupt Request Prioritization: Since the processor can service only one interrupt request at a time, it is important that the interrupt system has the ability to prioritize the requests and determine which has the highest priority.

Interrupt Service Routine "Nesting": This feature allows an interrupt service routine for a given priority request to be interrupted in turn, but only by a higher priority interrupt request. The service routine for the higher priority request is executed, then the execution of the interrupted service routine is resumed. If there are "n" interrupt requests, an "n" deep "nest" is possible.

Dynamic Interrupt Enabling/Disabling: The ability to enable/disable all interrupts "on the fly" under microprogram control can be used to prevent interruption of certain processes.

Dynamic Interrupt Request Masking: The ability to selectively inhibit or "mask" individual interrupt requests under microprogram control is useful.

Interrupt Request Vectoring: Many times, a particular interrupt request requires the execution of a unique interrupt service routine. For this reason, the generation of a unique binary coded vector for each interrupt request is very helpful. This vector can be used as a pointer to the start of a unique service routine.

Interrupt Request Priority Threshold: The ability to establish a priority threshold is valuable. In this type of operation, only those interrupt requests which have higher priority than a specified threshold priority are accepted. The threshold priority can be defined by microprogram or can be automatically established by hardware at the interrupt currently being serviced plus one. This automatic threshold prevents multiple interrupts from the same source. Also useful is the ability to read the threshold priority under microprogram control. Thus, the interrupt request being serviced may be determined by the microprogram.

Interrupt Request Clearing Flexibility: Flexibility in the method of clearing interrupt requests allows different modes of interrupt system operation. Of particular value are the abilities to clear the interrupt currently being serviced, clear all interrupts, or clear interrupts via a programmable mask register or bus.

Microprogrammability: Microprogrammability permits the construction of a general purpose or "universal" interrupt structure which can be microprogrammed to meet a specific application's requirements. The universality of the structure allows standardization of the hardware and amortization of the hardware development costs across a much broader user base. The end result is a flexible, low cost interrupt structure.

Hardware Modularity: Modular interrupt system hardware is beneficial in two ways. First, hardware modularity provides expansion capability. Additional modules may be added as the need to service additional requests arises. Secondly, hardware modularity provides a structural regularity which simplifies the system structure and also reduces the number of hardware part numbers.

Fast Interrupt System Response Time: Quick interrupt system response provides more efficient system operation. Fast response reduces real time overhead and increases overall system throughput.

INTERRUPT SYSTEM IMPLEMENTATION USING THE Am2914

The Am2914 provides all of the foregoing features on a single LSI chip. The Am2914 is a high-speed, eight-bit priority interrupt unit that is cascadable to handle any number of priority interrupt request levels. The Am2914's high speed is ideal for use in Am2900 Family microcomputer designs, but it can also be used with the Am9080A MOS microprocessor.

The Am2914 receives interrupt requests on eight Interrupt Input lines (P₀-P₇). A LOW level is a request. An internal latch may be used to catch pulses (HIGH-LOW-HIGH) on these lines, or the latch may be bypassed so that the request lines drive the D-inputs to the edge-triggered Interrupt Register directly. An eight-bit Mask Register is used to mask individual interrupts. Considerable flexibility is provided for controlling the Mask Register. Requests in the Interrupt Register (P₀-P₇) are ANDed with the corresponding bits in the mask register (M₀-M₇) and the results are sent to an eight-input priority encoder, which produces a three-bit encoded vector representing the highest priority input which is not masked.

An internal Status Register is used to point to the lowest priority at which an interrupt will be accepted. The contents of the Status Register are compared with the output of the

priority encoder, and an Interrupt Request output will occur if the vector is greater than or equal to the contents of the Status Register. Whenever a vector is read from the Am2914, the Status Register is automatically updated to point to one level higher than the vector read. (The Status Register can be loaded externally or read out at any time using the S-Bus.) Signals are provided for moving the status upward across devices (Group Advance Send and Group Advance Receive) and for inhibiting lower priorities from higher order devices (Ripple Disable, Parallel Disable, and Interrupt Disable). A Status Overflow output indicates that an interrupt has been read at the highest priority.

The Am2914 is controlled by a four-bit microinstruction field I₀-I₃. The microinstruction is executed if I \bar{E} (Instruction Enable) is LOW and is ignored if I \bar{E} is HIGH, allowing the four I bits to be shared with other functions. Sixteen different microinstructions are executed. Figure 2 shows the microinstructions and the microinstruction codes.

| MICROINSTRUCTION DESCRIPTION | MICROINSTRUCTION CODE |
|-------------------------------------|---|
| | I ₃ I ₂ I ₁ I ₀ |
| MASTER CLEAR | 0000 |
| CLEAR ALL INTERRUPTS | 0001 |
| CLEAR INTERRUPTS FROM M-BUS | 0010 |
| CLEAR INTERRUPTS FROM MASK REGISTER | 0011 |
| CLEAR INTERRUPT, LAST VECTOR READ | 0100 |
| READ VECTOR | 0101 |
| READ STATUS REGISTER | 0110 |
| READ MASK REGISTER | 0111 |
| SET MASK REGISTER | 1000 |
| LOAD STATUS REGISTER | 1001 |
| BIT CLEAR MASK REGISTER | 1010 |
| BIT SET MASK REGISTER | 1011 |
| CLEAR MASK REGISTER | 1100 |
| DISABLE INTERRUPT REQUEST | 1101 |
| LOAD MASK REGISTER | 1110 |
| ENABLE INTERRUPT REQUEST | 1111 |

Figure 2. Am2914 Microinstruction Set.

In this microinstruction set, the *Master Clear* microinstruction is selected as binary zero so that during a power up sequence, the microinstruction register in the microprogram control unit of the central processor can be cleared to all zeros. Thus, on the next clock cycle, the Am2914 will execute the *Master Clear* function. This includes clearing the Interrupt Latches and Register as well as the Mask Register and Status Register. The LGE flip-flop of the least significant group is set LOW because the Group Advance Receive input is tied LOW. All other Group Advance Receive inputs are tied to Group Advance Send outputs and these are forced HIGH during this instruction. This clear instruction also sets the Interrupt Request Enable flip-flop so that a fully interrupt driven system can be easily initiated from any interrupt.

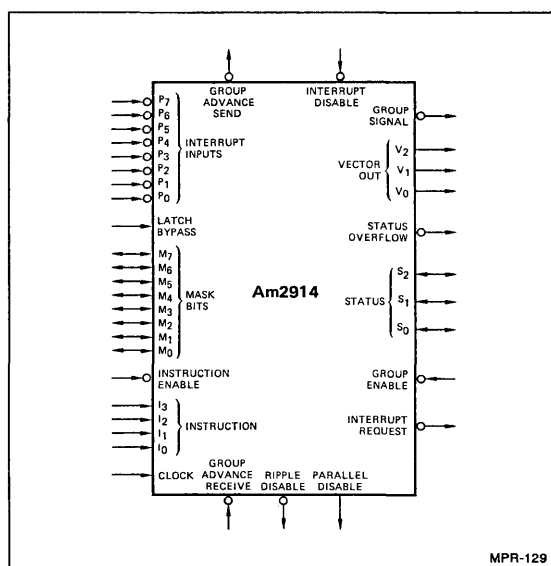


Figure 1. Am2914 Logic Symbol.

Am2914

The *Clear All Interrupts* microinstruction clears the Interrupt Latches and Register.

The *Clear Interrupts from Mask Register* microinstruction clears those Interrupt Latches and Register bits which have corresponding Mask Register bits set equal to one. The M-Bus is used by the Am2914 during the execution of this microinstruction and must be floating.

The *Clear Interrupts from M-Bus* microinstruction clears those Interrupt Latches and Register bits which have corresponding M-Bus bits set equal to one.

The *Clear Interrupt, Last Vector Read* microinstruction clears the Interrupt Latch and Register bit associated with the last vector read.

The *Read Vector* microinstruction is used to read the vector value of the highest priority request causing the interrupt. The vector outputs are three-state drivers that are enabled onto the $V_0V_1V_2$ bus during this instruction. This microinstruction also automatically loads the value "vector plus one" into the Status Register. In addition, this instruction sets the Vector Clear Enable flip-flop and loads the current vector value into the Vector Hold Register so that this value can be used by the *Clear Interrupt, Last Vector Read* microinstruction. This allows the user to read the vector associated with the interrupt, and at some later time clear the Interrupt Latch and Register bit associated with the vector read.

The *Load Status Register* microinstruction loads S-Bus data into the Status Register and also loads the LGE flip-flop from the Group Enable input.

During the *Read Status Register* microinstruction, the Status Register outputs are enabled onto the Status Bus (S_0-S_2). The Status Bus is a three-bit, bi-directional, three-state bus.

The *Load Mask Register* microinstruction loads data from the three-state, bi-directional M-Bus into the Mask Register.

The *Read Mask Register* microinstruction enables the Mask Register outputs onto the bi-directional, three-state M-Bus.

The *Set Mask Register* microinstruction sets all the bits in the Mask Register to one. This results in all interrupts being inhibited.

The entire Mask Register is cleared by the *Clear Mask Register* microinstruction. This enables all interrupts subject to the Interrupt Enable flip-flop and the Status Register.

The *Bit Clear Mask Register* microinstruction may be used to selectively clear individual Mask Register bits. This microinstruction clears those Mask Register bits which have corresponding M-Bus bits equal to one. Mask Register bits with corresponding M-Bus bits equal to zero are not affected.

The *Bit Set Mask Register* microinstruction sets those Mask Register bits which have corresponding M-Bus bits equal to one. Other Mask Register bits are not affected.

All Interrupt Requests may be disabled by execution of the *Disable Interrupt Request* microinstruction. This microinstruction resets an Interrupt Request Enable flip-flop on the chip.

The *Enable Interrupt Request* microinstruction sets the Interrupt Enable flip-flop. Thus, Interrupt Requests are enabled subject to the contents of the Mask and Status Registers.

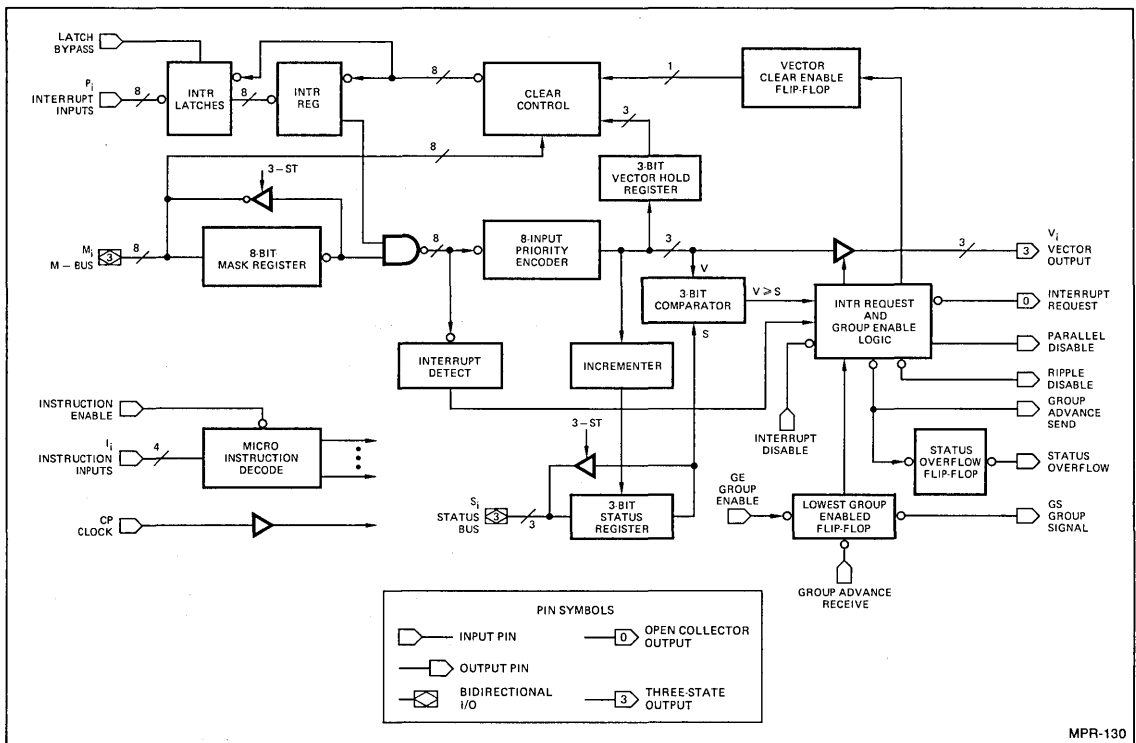


Figure 3. Am2914 Block Diagram.

Am2914 BLOCK DIAGRAM DESCRIPTION

The Am2914 block diagram is shown in Figure 3. The Microinstruction Decode circuitry decodes the Interrupt Microinstructions and generates required control signals for the chip.

The Interrupt Register holds the Interrupt Inputs and is an eight-bit, edge-triggered register which is set on the rising edge of the CP Clock signal if the Interrupt Input is LOW.

The Interrupt latches are set/reset latches. When the Latch Bypass signal is LOW, the latches are enabled and act as negative pulse catchers on the inputs to the Interrupt Register. When the Latch Bypass signal is HIGH, the Interrupt latches are transparent.

The Mask Register holds the eight mask bits associated with the eight interrupt levels. The register may be loaded from or read to the M-Bus. Also, the entire register or individual mask bits may be set or cleared.

The Interrupt Detect circuitry detects the presence of any unmasked Interrupt Input. The eight-input Priority Encoder determines the highest priority, non-masked Interrupt Input and forms a binary coded interrupt vector. Following a Vector Read, the three-bit Vector Hold Register holds the binary coded interrupt vector. This stored vector can be used later for clearing interrupts.

The three-bit Status Register holds the status bits and may be loaded from or read to the S-Bus. During a Vector Read, the Incrementer increments the interrupt vector by one, and the result is clocked into the Status Register. Thus, the Status Register points to a level one greater than the vector just read.

The three-bit Comparator compares the Interrupt Vector with the contents of the Status Register and indicates if the Interrupt Vector is greater than or equal to the contents of the Status Register.

The Lowest Group Enabled Flip-Flop is used when a number of Am2914's are cascaded. In a cascaded system, only one Lowest Group Enabled Flip-Flop is LOW at a time. It indicates the eight interrupt group, which contains the lowest priority interrupt level which will be accepted and is used to form the higher order status bits.

The Interrupt Request and Group Enable logic contain various gating to generate the Interrupt Request, Parallel Disable, Ripple Disable, and Group Advance Send signals.

The Status Overflow signal is used to disable all interrupts. It indicates the highest priority interrupt vector has been read and the Status Register has overflowed.

The Clear Control logic generates the eight individual clear signals for the bits in the Interrupt Latches and Register. The Vector Clear Enable Flip-Flop indicates if the last vector read was from this chip. When it is set it enables the Clear Control Logic.

The CP clock signal is used to clock the Interrupt Register, Mask Register, Status Register, Vector Hold Register, and the Lowest Group Enabled, Vector Clear Enable and Status Overflow Flip-Flops, all on the clock LOW-to-HIGH transition.

The Am2914 can be microprogrammed in many different ways. Figure 4 shows an example interrupt sequence. The *Read Vector* microinstruction is necessary in order to read the interrupt priority level. Since vector plus one is automatically loaded into the Status Register when a *Read Vector* microinstruction is executed, the Status Register possibly will overflow and disable all interrupts. For this reason, the Status

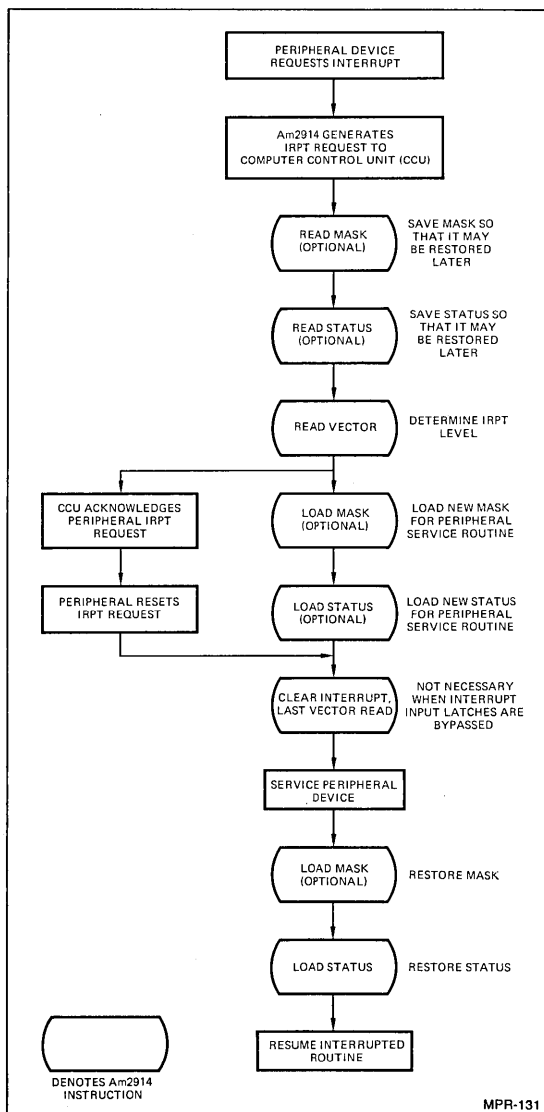


Figure 4. Example Interrupt Sequence.

Register must be reloaded periodically. The other Am2914 microinstructions are optional.

CASCADING THE Am2914

A number of input/output signals are provided for cascading the Am2914 Vektored Priority Interrupt Encoder. A definition of these I/O signals and their required connections follows:

Group Signal (\overline{GS}) – This signal is the output of the Lowest Group Enabled flip-flop and during a *Read Status* microinstruction is used to generate the high order bits of the Status word.

Group Enable (\overline{GE}) – This signal is one of the inputs to the Lowest Group Enable flip-flop and is used to load the flip-flop during the *Load Status* microinstruction.

Am2914

Group Advance Send ($\overline{\text{GAS}}$) – During a Read Vector microinstruction, this output signal is LOW when the highest priority vector (vector seven) of the group is being read. In a cascaded system Group Advance Send must be tied to the Group Advance Receive input of the next higher group in order to transfer status information.

Group Advance Receive ($\overline{\text{GAR}}$) – During a Master Clear or Read Vector microinstruction, this input signal is used with other internal signals to load the Lowest Group Enabled flip-flop. The Group Advance Receive input of the lowest priority group must be tied to ground.

Status Overflow ($\overline{\text{SV}}$) – This output signal becomes LOW after the highest priority vector (vector seven) of the group has been read and indicates the Status Register has overflowed. It stays LOW until a Master Clear or Load Status microinstruction is executed. The Status Overflow output of the highest priority group should be connected to the Interrupt Disable input of the same group and serves to disable all interrupts until new status is loaded or the system is master cleared. The Status Overflow outputs of lower priority groups should be left open (see Figure 7).

Interrupt Disable ($\overline{\text{ID}}$) – When LOW, this input signal inhibits the Interrupt Request output from the chip and also generates a Ripple Disable output.

Ripple Disable ($\overline{\text{RD}}$) – This output signal is used only in the Ripple Cascade Mode (see below). The Ripple Disable output is LOW when the Interrupt Disable input is LOW, the Lowest Group Enabled flip-flop is LOW, or an Interrupt Request is generated in the group. In the ripple cascade mode, the

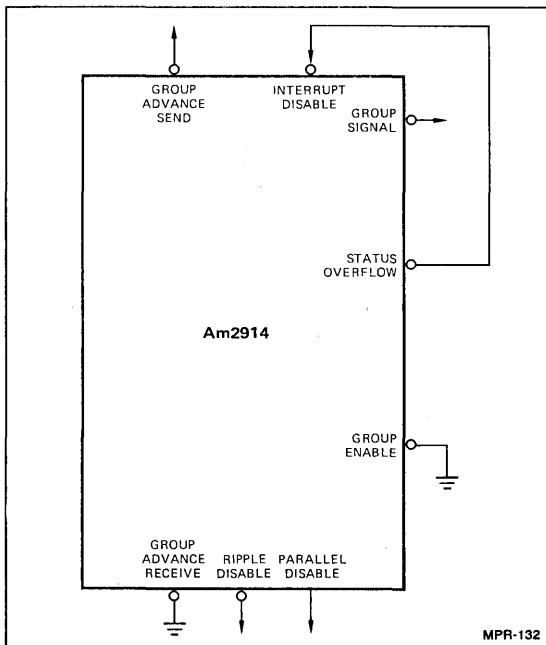


Figure 5. Cascade Lines Connection for Single Chip System.

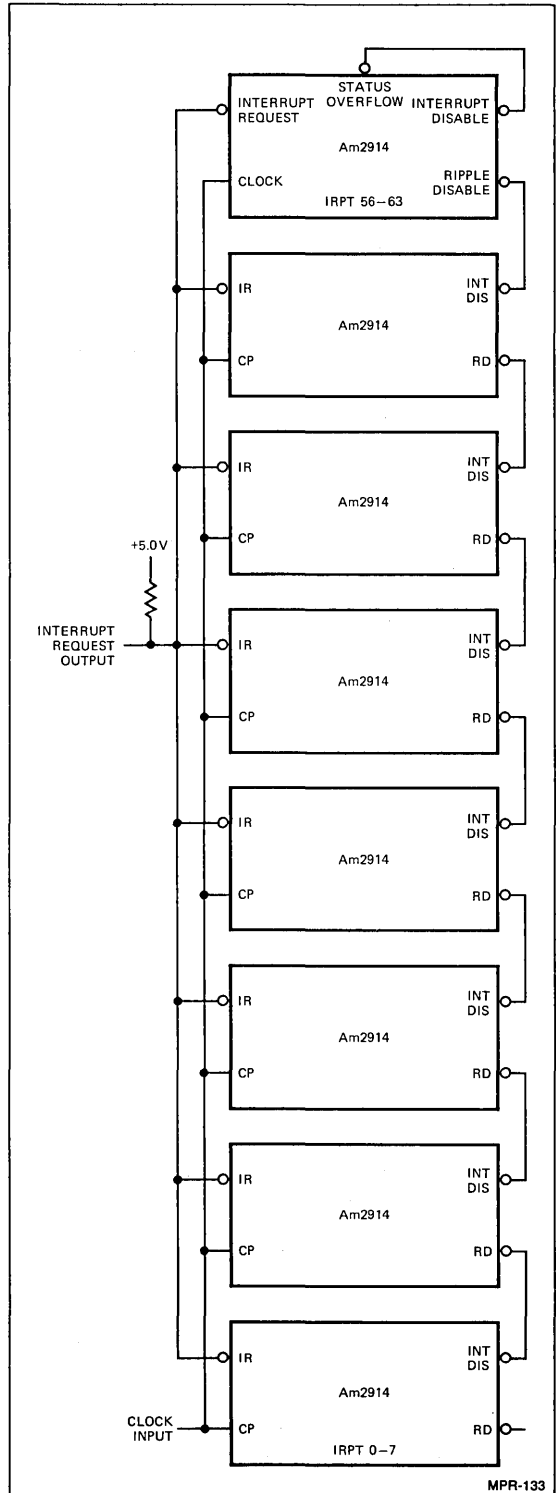


Figure 6. Interrupt Disable Connections for Ripple Cascade Mode.

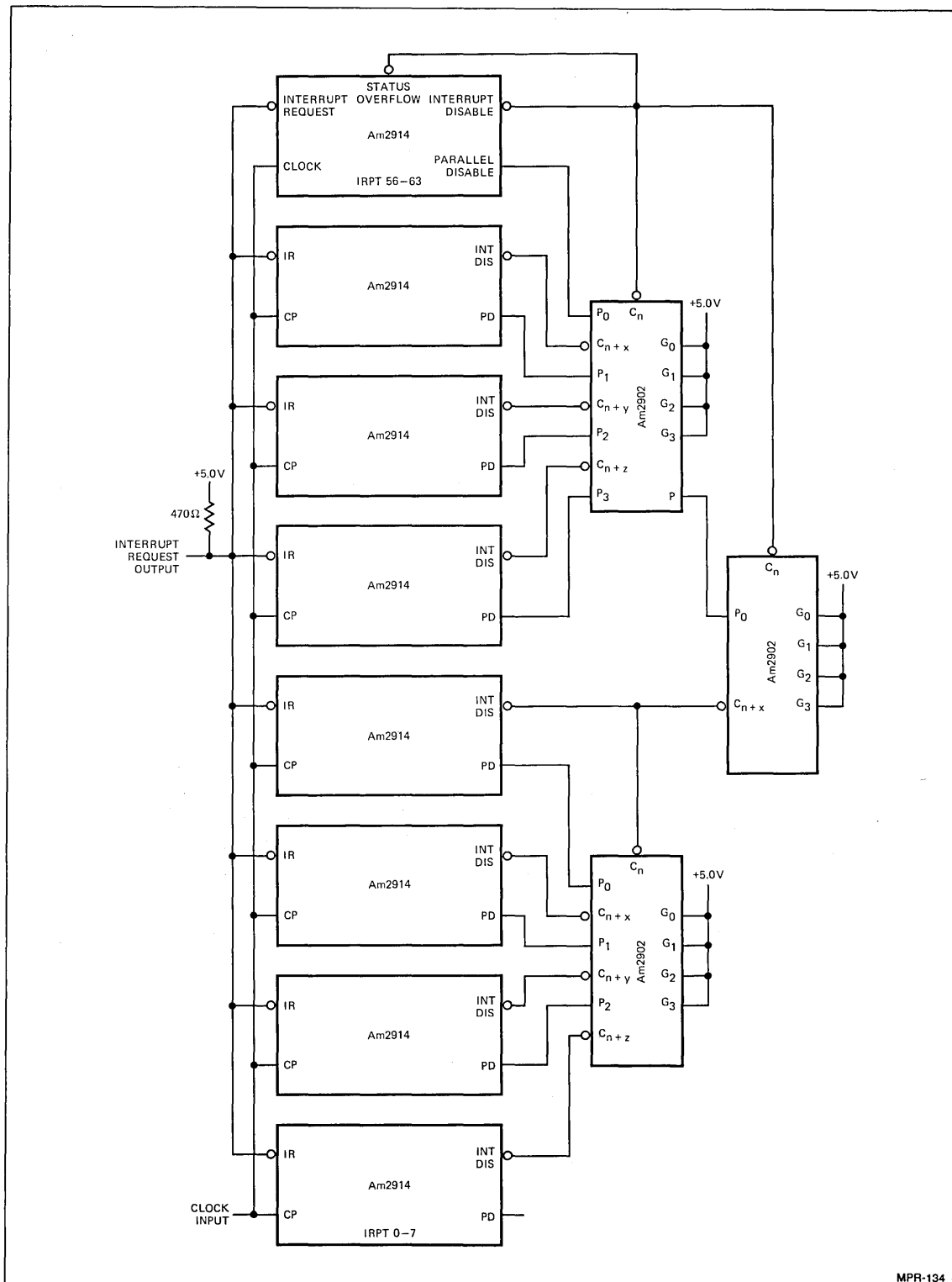


Figure 7. Interrupt Disable Connections for Parallel Cascade Mode.

Am2914

Ripple Disable output is tied to the Interrupt Disable input of the next lower priority group (see Figure 6).

Parallel Disable (PD) — This output is used only in the parallel cascade mode (see below). It is HIGH when the Lowest Group Enabled flip-flop is LOW or an Interrupt Request is generated in the group. It is not affected by the Interrupt Disable input.

A single Am2914 chip may be used to prioritize and encode up to eight interrupt inputs. Figure 5 shows how the above cascade lines should be connected in such a single chip system.

The Group Advance Receive and Group Enable inputs should be connected to ground so that the Lowest Group Enabled flip-flop is forced LOW during a *Master Clear* or *Load Status* microinstruction. Status Overflow should be connected to Interrupt Disable in order to disable interrupts when vector seven is read. The Group Advance Send, Ripple Disable, Group Signal and Parallel Disable pins should be left open.

The Am2914 may be cascaded in either a Ripple Cascade Mode or a Parallel Cascade Mode. In the Ripple Cascade Mode, the Interrupt Disable signal, which disables lower priority interrupts, is allowed to ripple through lower priority groups. Figures 6, 9 and 11 show the cascade connections required for a ripple cascade 64 input interrupt system.

In the parallel cascade mode, a parallel lookahead scheme is employed using the high-speed Am2902 Lookahead Carry Generator. Figures 7, 9 and 10 show the cascade connections required for a parallel cascade 64-input interrupt system. For this application, the Am2902 is used as a lookahead interrupt disable generator. A Parallel Disable output from any group results in the disabling of all lower priority groups in parallel. Figure 8 shows the Am2902 logic diagram and equations.

In Figures 9 and 10, the Am2913 Priority Interrupt Expander is shown forming the high order bits of the vector and status, respectively. The Am2913 is an eight-line to three-line priority encoder with three-state outputs which are enabled by the five output control signals G_1 , G_2 , $\overline{G_3}$, $\overline{G_4}$, and $\overline{G_5}$. In Figure 9, the Am2913 is connected so that its outputs are enabled during a Read Vector instruction, and in Figure 10 the Am2913 is connected so that its outputs are enabled during a Read Status instruction. The Am2913 logic diagram and truth table are shown in Figure 11.

The Am25LS138 three-line to eight-line Decoder also is shown in Figure 10. It is used to decode the three high order status bits during a Load Status instruction. The Am25LS138 logic diagram and truth table are shown in Figure 12.

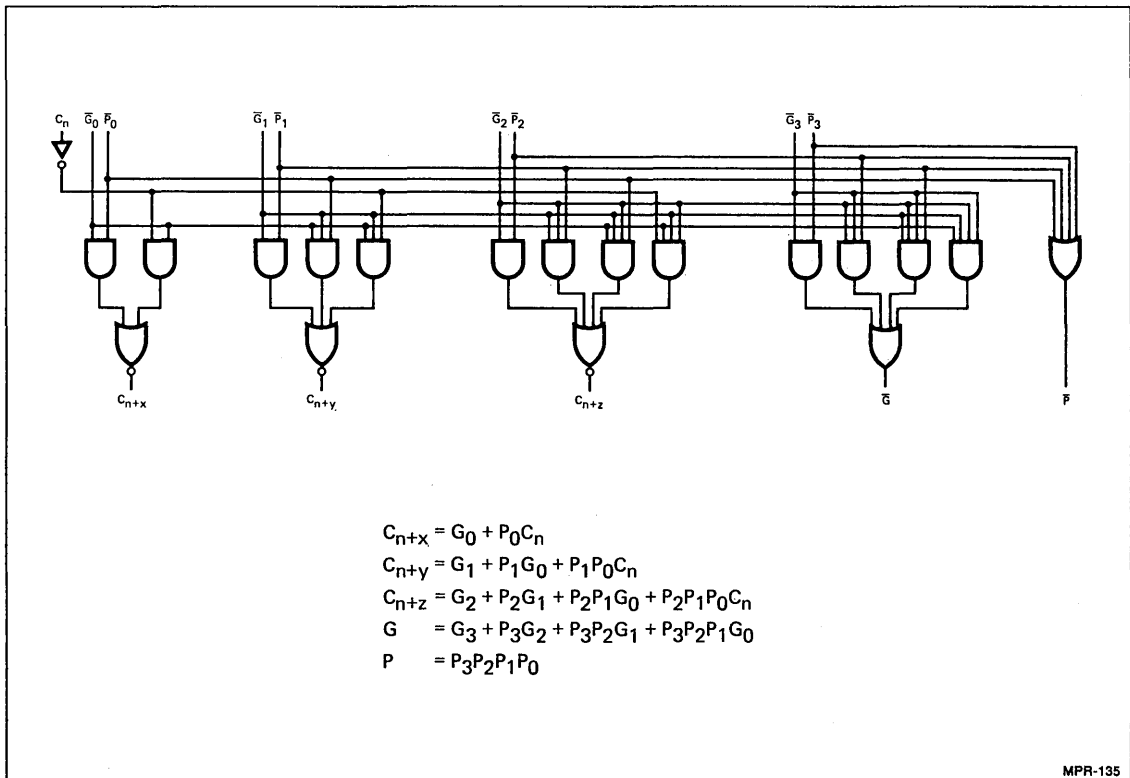


Figure 8. Am2902 Carry Look-Ahead Generator Logic Diagram and Equations.

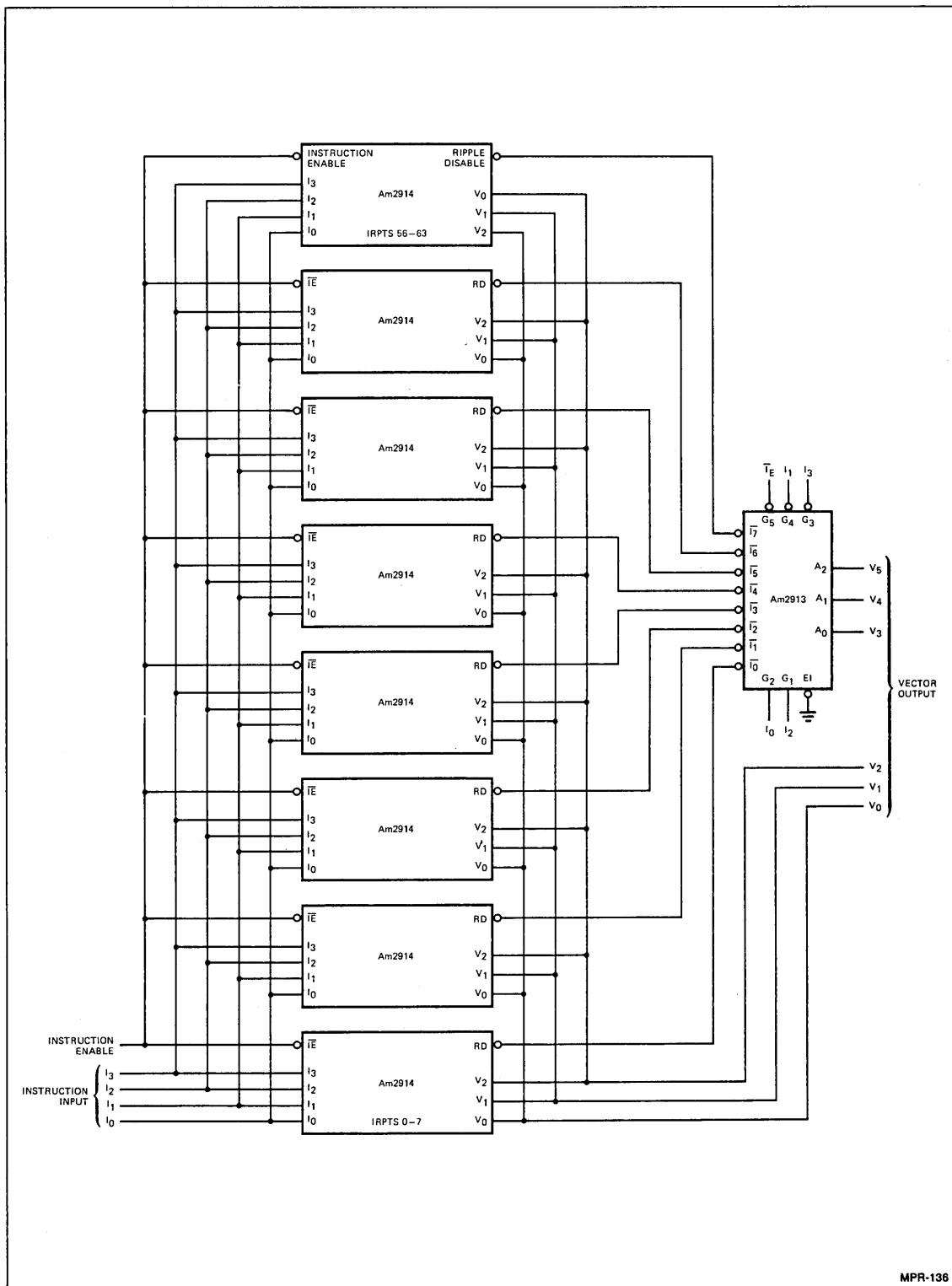
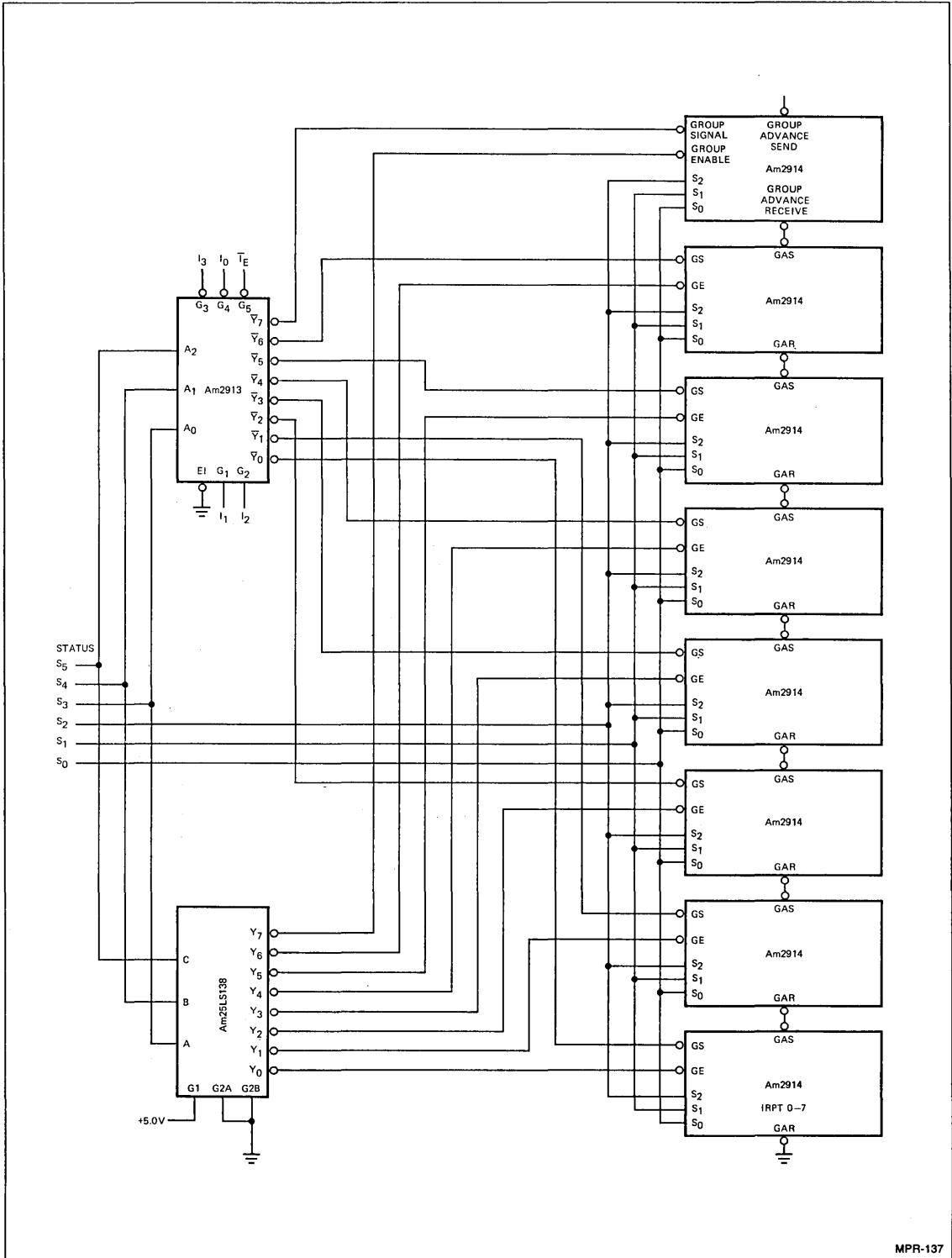
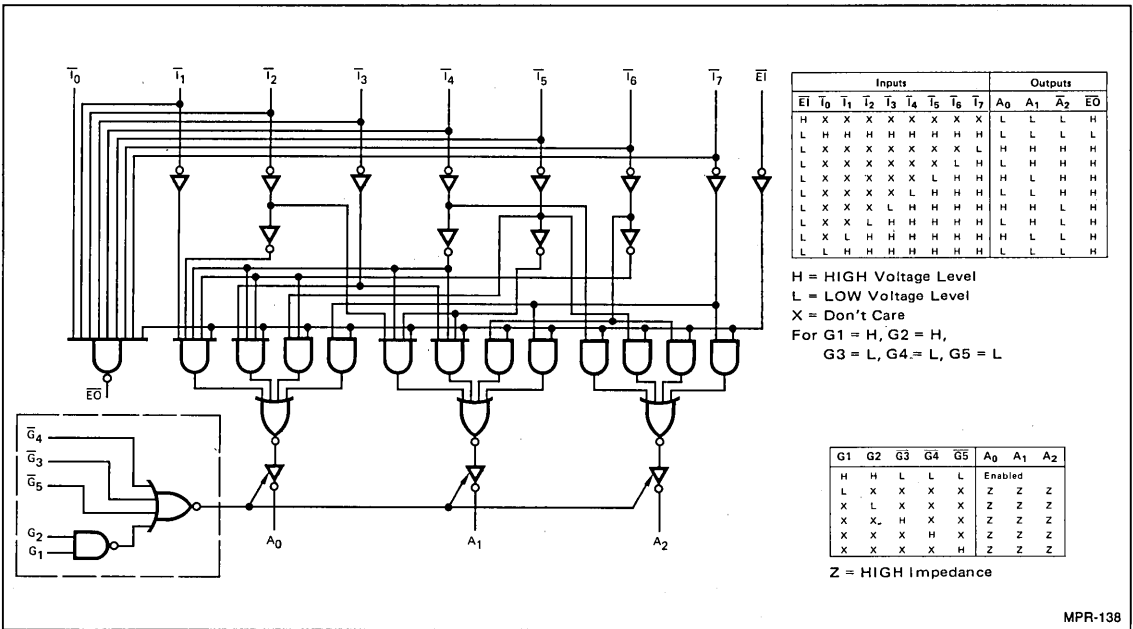


Figure 9. Vector Connections for both the Parallel and Ripple Cascade Modes.



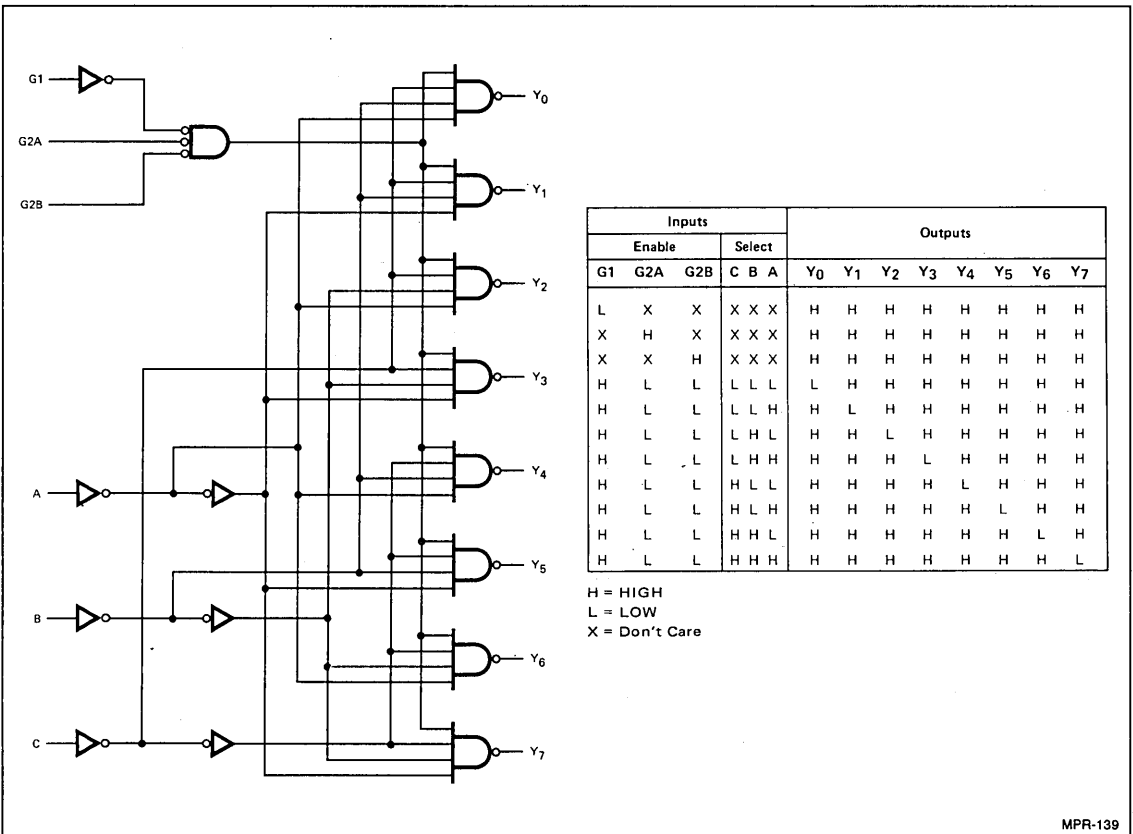
MPR-137

Figure 10. Group Signal, Group Enable, Group Advance Send, Group Advance Receive and Status Connections for Both the Parallel and Ripple Cascade Modes.



MPR-138

Figure 11. Am2913 Priority Interrupt Expander Logic Diagram and Truth Table.



MPR-139

Figure 12. Am25LS138 3 to 8 Line Decoder Logic Diagram and Truth Table.

EXAMPLE INTERRUPT SYSTEMS DESIGNS FOR AN Am2900 SYSTEM

A classical computer architecture is shown in Figure 13. The Computer Control Unit controls the internal busses and sub-systems of the processor, synchronizes internal and external events and grants or denies permission to external systems. The data bus is commonly used by all of the subsystems in the computer. Information, instructions, address operands, data and sometimes control signals are transmitted down the data bus under control of a microprogram. The microprogram selects the source of the data as well as the destination(s) of the data. The Address Bus is typically used to select a word in memory for an internal computer function or to select an input/output port for an external subsystem or peripheral function. The source of the data for the address bus, also selected by microprogram commands, may be the program counter, the memory address register, a direct memory address controller, an interface controller, etc.

The arithmetic/logic unit (ALU) is that portion of the processor that computes. Under control of the microprogram, the ALU performs a number of different arithmetic and logic functions on data in the working registers or from the data bus. The ALU also provides a set of condition codes as a result of the current arithmetic or logic operation. The condition codes, along with other computer status information, are

stored in a register for later use by the programmer or computer control unit.

The program counter and the memory address register are the two main sources of memory word and I/O address select data on the address bus. The program counter contains the address of the next instruction or instruction operand that is to be fetched from main memory, and the memory address register contains instruction address operands which are necessary to fetch the data required for the execution of the current instruction.

A subroutine address stack is provided to allow the return address linkage to be handled easily when exiting a subroutine. The address stack is a last-in, first-out stack that is controlled by a jump-to-subroutine, PUSH, or a return-from-subroutine, POP, instruction from the CCU microinstruction word.

The next microprogram address control (NMAC) circuitry controls the generation of microinstruction addresses. Based on microprogram control, interrupt requests, test conditions and commands from a control panel or other processor, the NMAC determines the address of the next microinstruction to be executed.

For a more detailed description of the above portions of the computer, refer to Advanced Micro Devices' Application Note *A Microprogrammed 16 Bit Computer* by James R.W. Clymer.

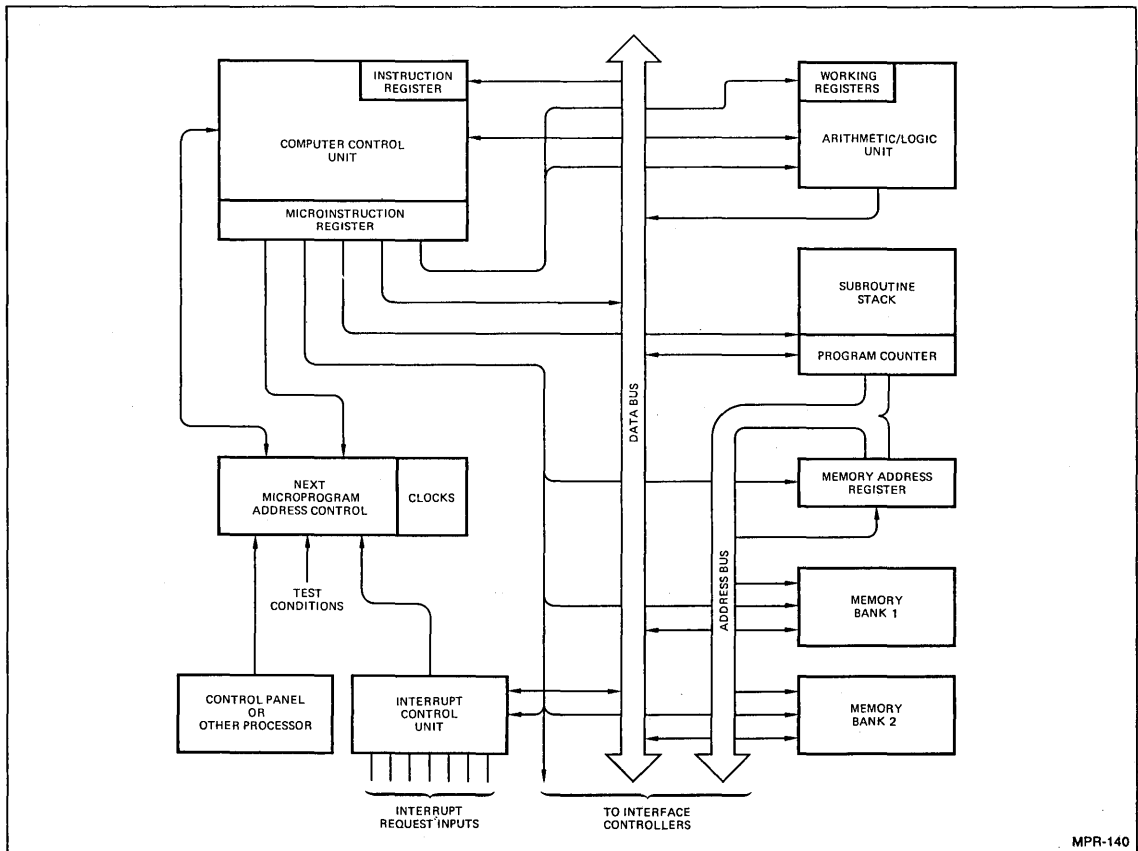


Figure 13. Generalized Computer Architecture.

Figures 14 and 15 show the detailed hardware design of two example interrupt control units (ICU's) for an Am2900 Computer System. Figure 14 shows an eight interrupt level ICU, and Figure 15 shows an ICU which has sixteen levels. In both designs, the Am2914 Instruction inputs and Instruction Enable input are driven by the I_{0-3} field and \overline{IE} bit, respectively, of the Microinstruction Register. Note that Am2914 Instruction inputs are enabled only when the \overline{IE} bit is LOW. Therefore, the I_{0-3} field of the Microinstruction Register may be shared with another functional unit of the computer such as the ALU.

The Latch Bypass input is shown connected to ground so that a LOW-going pulse will be detected at any of the Interrupt Inputs. The Am2914 clock input is driven by the system clock, the same clock used to drive other functional units of the computer.

In both designs, two Am29751 32-word by 8-bit PROMs with three-state outputs are used to map the Am2914 Vector outputs into a 16-bit address vector. The PROM outputs are connected to the data bus so that when an Am2914 Read Vector instruction is executed, the address vector may be gated via the data bus to the Program Counter. At the Program Counter, the address vector may be used as the starting main memory address of a machine instruction interrupt service routine. Figure 16 shows the Computer Control Unit for such a machine program interrupt system.

The address vector also may be gated directly to the "D" inputs of the Am2911 Microprogram Sequencer, and used as the starting PROM address of a microinstruction interrupt service routine. Figure 17 shows the Computer Control Unit

for such a microprogram interrupt system. Thus, both the machine program and microprogram can be interrupted and vectored with these designs.

In Figures 15 and 16, the Am2914 Status and Mask inputs/outputs are connected to the data bus in a bi-directional configuration so that the Status and Mask Registers may be loaded from or read to the data bus under Am2914 instruction control. The Am2914 Interrupt Request output, which is open-collector and may be wire-ORed, provides an input to the next microprogram address control circuitry.

For the eight level ICU of Figure 14, the Status Overflow output is connected to the Interrupt Disable input, and the Group Advance Receive and Group Enable inputs are connected to ground, as previously described.

For the 16 interrupt level ICU of Figure 15, the Parallel Disable output of the higher priority group serves as the high order vector bit. An Am2913 Priority Interrupt Expander is gated by the Am2914 instruction lines so that its output is enabled only during a Read Status instruction, and is used to encode the high order bit of the status. An inverter suffices to decode the high order status bit during a Load Status instruction. As described previously for a ripple cascade system, the Group Advance Send output is connected to the Group Advance Receive input of the next higher priority group; the Ripple Disable output is connected to the Interrupt Disable input of the next lower priority group; the Status Overflow output of the highest priority group is connected to the Interrupt Disable input of the same group, and the Group Advance Receive input of the lowest priority group is connected to ground.

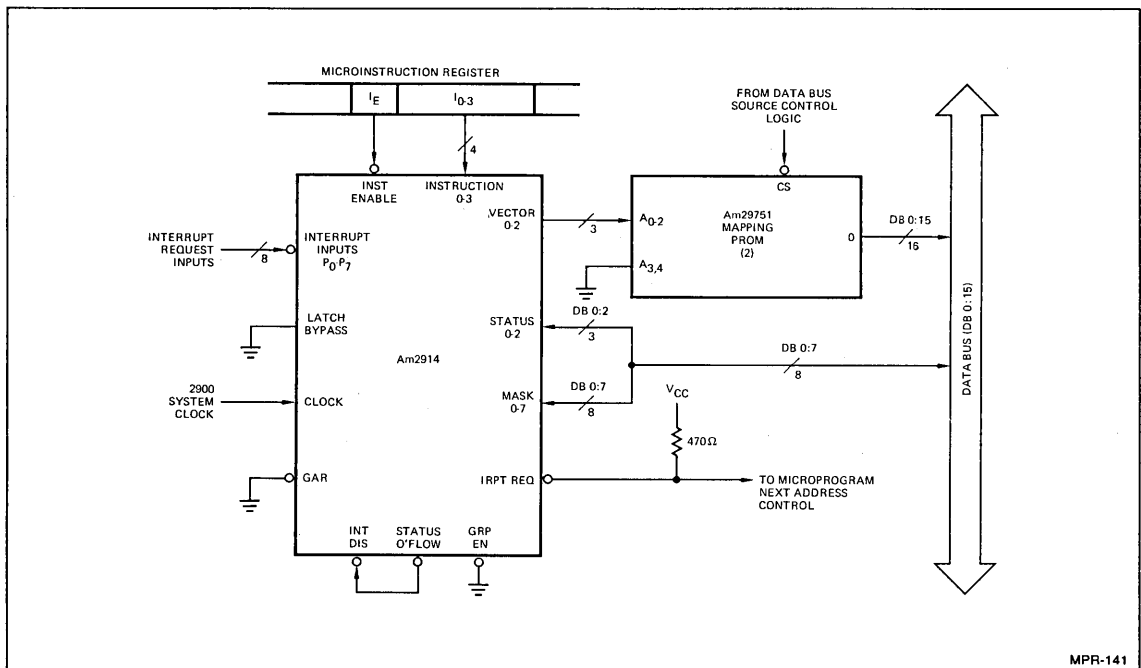
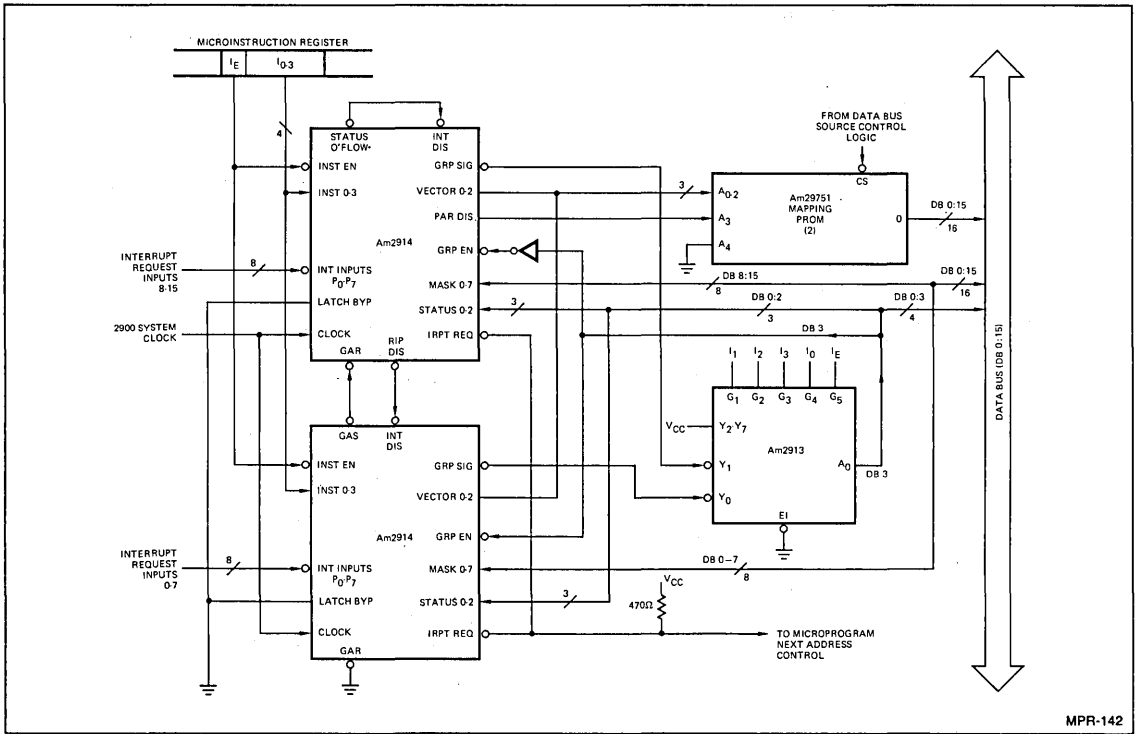
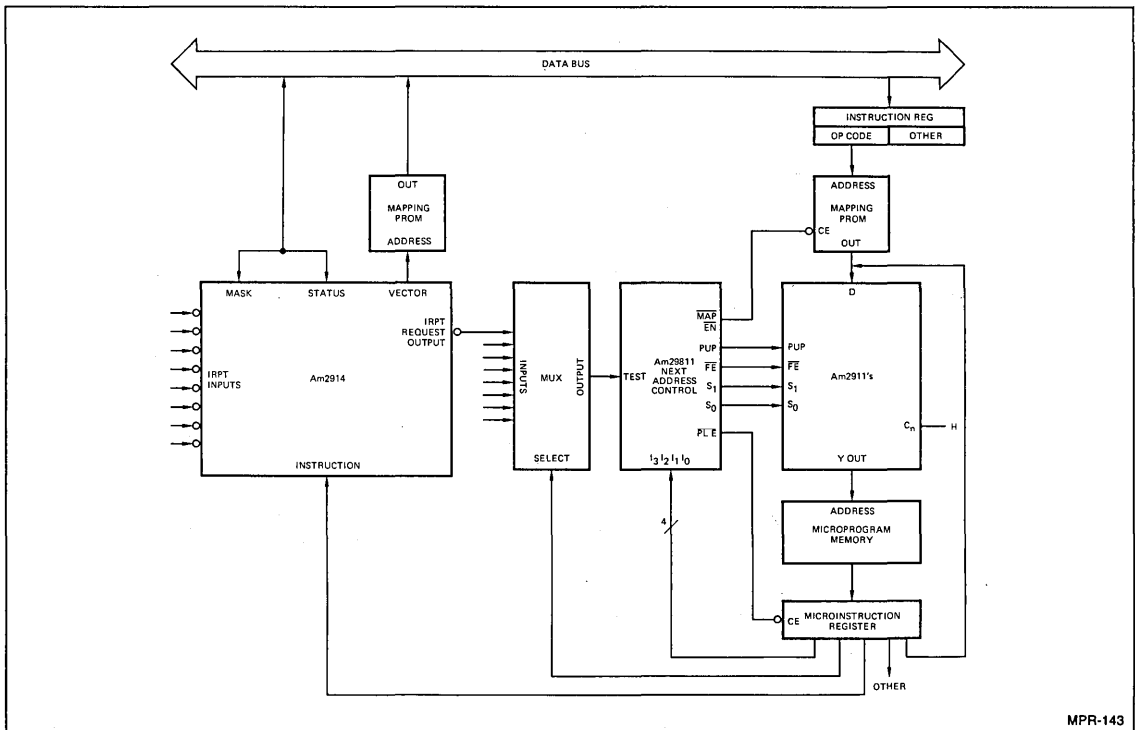


Figure 14. 8 Level Interrupt Control Unit for Am2900 System.



MPR-142

Figure 15. 16 Level Interrupt Control Unit for Am2900 System.



MPR-143

Figure 16. Computer Control Unit for Machine Program Interrupt System.

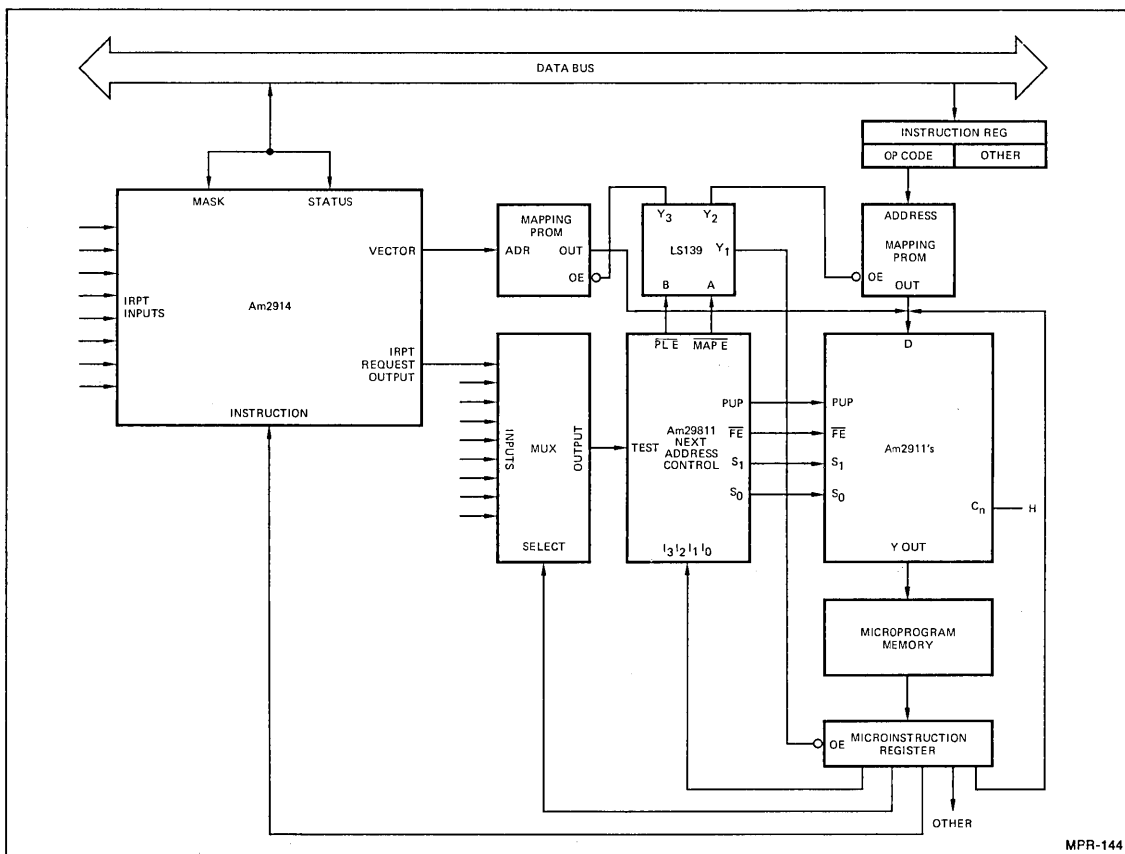


Figure 17. Computer Control Unit for Microprogram Interrupt System.

EXAMPLE INTERRUPT SYSTEM DESIGN FOR AN Am9080A SYSTEM

The Am2914 can be used in an Am9080A system also. Figure 18 shows the detailed hardware design of an eight-level ICU for an Am9080A system. The ICU attaches to the Am8228 data bus and uses any two I/O port addresses, designated X and Y. Three Am8228 control lines, INTA, I/O R and I/O W, are used to control the ICU, and the Am8224 ϕ_2 (TTL) output is used as the ICU clock. The ICU provides the INT (interrupt request) input to the Am9080A.

The Am9080A acknowledges an interrupt request with the INTA signal which selects the A inputs of the Am25LS09 Instruction Register. The Am25LS09 is a quad, two-input register which is set on the LOW-to-HIGH transition of the clock. The A inputs are wired so that an Am2914 Read Vector instruction is forced at the Am2914 Instruction Inputs. The INTA signal also forces the Am2914 Instruction Enable signal LOW and enables the Am25LS241 outputs onto the Am8228 data bus. The Am25LS241 is an eight-bit, three-state bus driver in a 20-pin package. Figure 19 shows a logic diagram of the Am25LS241. Five Am25LS241 inputs are wired HIGH so that, along with the Am2914 Vector outputs, they force an Am9080A Restart instruction onto the Am8228 data bus. The Am9080A then uses the vector to branch to an interrupt service routine.

During the interrupt service routine, the Am2914 is driven by Am9080A software. Figure 20 shows example Am9080A instruction code for Am2914 control and the comments describe the operation of the ICU hardware in detail. The Am2920 Data Out Register buffers data during operations which require the transfer of data from the Am9080A to the Am2914, such as the load mask and load status operations. The Am2920 contains eight "D" type flip-flops. Figure 21 shows the Am2920 logic diagram.

The Am25LS374 Data In Register buffers data during operations which require transfer of data from the Am2914 to the Am9080A, such as the read mask and read status operations. The Am25LS374 contains eight "D" type flip-flops in a 20-pin package. Figure 22 shows the logic diagram for the Am25LS374.

The Am25LS175 "D" type flip-flops are used to synchronize incoming and outgoing control signals with the ϕ_2 clock to meet the Am2914 and Am9080A timing requirements. In this design, the Latch Bypass input is connected to ground so that a negative pulse will be detected at any of the interrupt inputs. As always when a single Am2914 is used, the Status Overflow output is connected to the Interrupt Disable input, and the Group Advance Receive and Group Enable inputs are connected to ground.

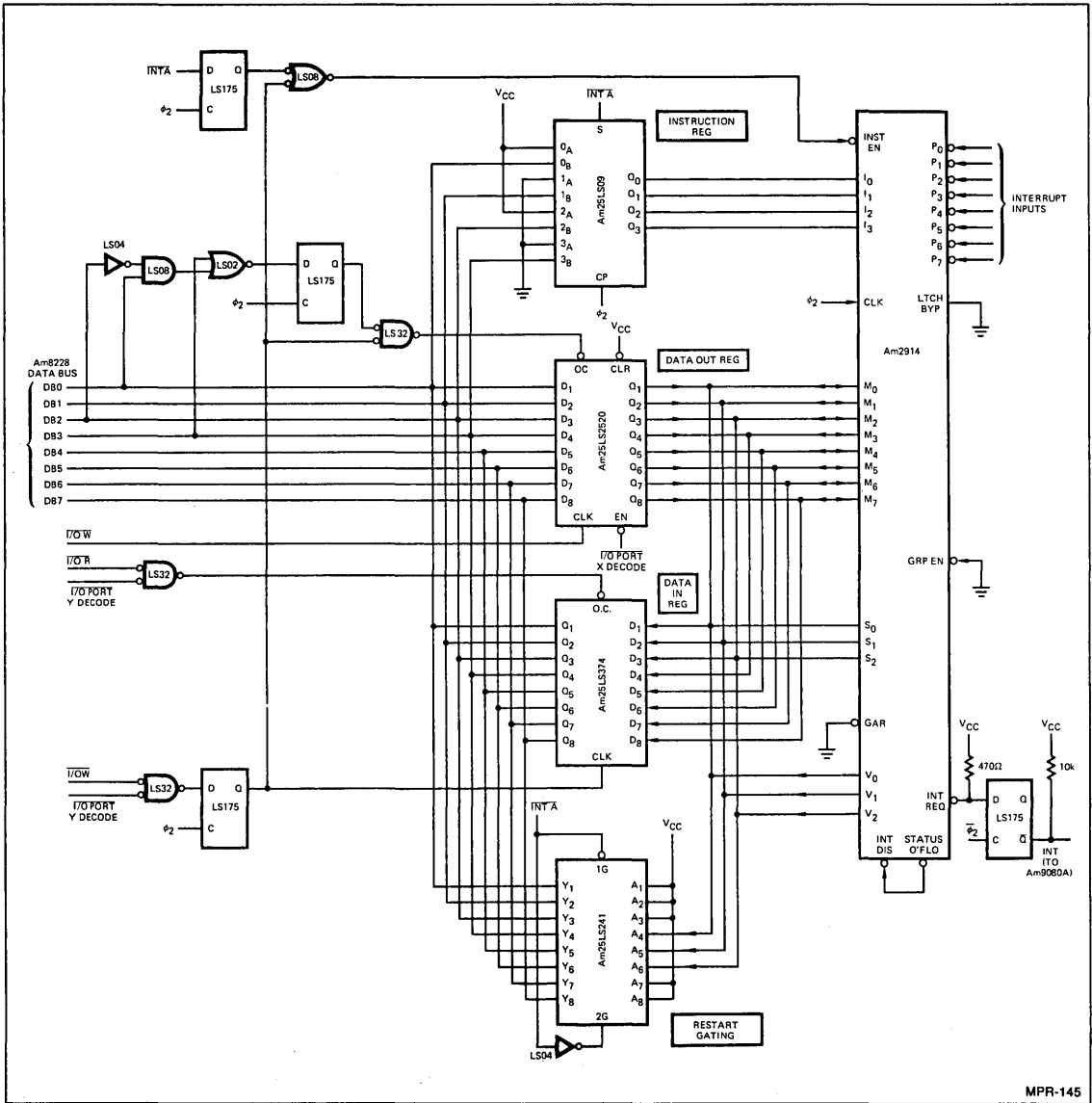


Figure 18. 8 Level Interrupt Control Unit for Am9080A System.

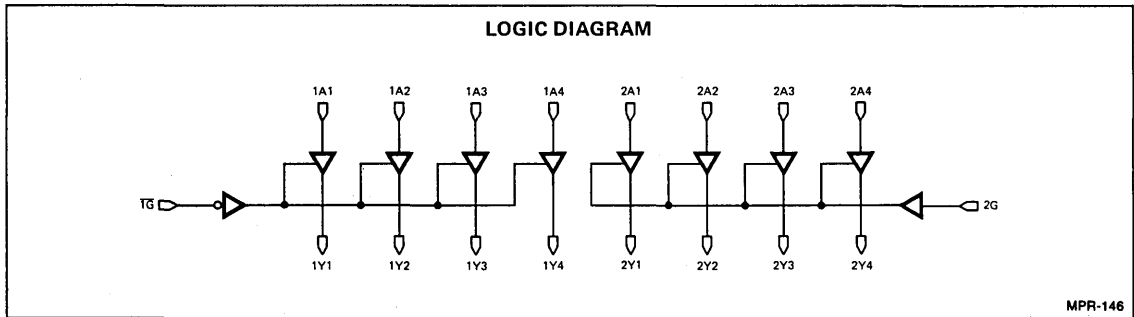


Figure 19. Am25LS241 Octal Bus Driver with 3-State Outputs, 20 Pin Package.

| Am9080A MNEMONIC | Am9080A CODE (HEX) | COMMENTS | |
|------------------|--------------------|---|-------------------------------|
| MVI A | 3E X0 | LOAD IMMEDIATE THE Am2914 MASTER CLEAR INSTRUCTION INTO Am9080A ACCUMULATOR | Am2914 MASTER CLEAR OPERATION |
| OUT | D3 PORT Y ADR | | |
| MVI A | 3E MASK PATTERN | LOAD IMMEDIATE THE MASK BIT PATTERN INTO THE Am9080A ACCUMULATOR | Am2914 LOAD MASK OPERATION |
| OUT | D3 PORT X ADR | | |
| MVI A | 3E XE | LOAD IMMEDIATE THE Am2914 LOAD MASK INSTRUCTION INTO Am9080A ACCUMULATOR | Am2914 READ STATUS OPERATION |
| OUT | D3 PORT Y ADR | | |
| MVI A | 3E X6 | LOAD IMMEDIATE THE Am2914 READ STATUS INSTRUCTION INTO Am9080A ACCUMULATOR | Am2914 READ STATUS OPERATION |
| OUT | D3 PORT Y ADR | | |
| IN | DB PORT Y ADR | | |

Note: Am2914 instruction bits I₀-I₃ must be on data bus bits DB₀-DB₃, respectively. X = Don't Care.

Figure 20. Example Am9080A Instruction Code for Am2914 Control.

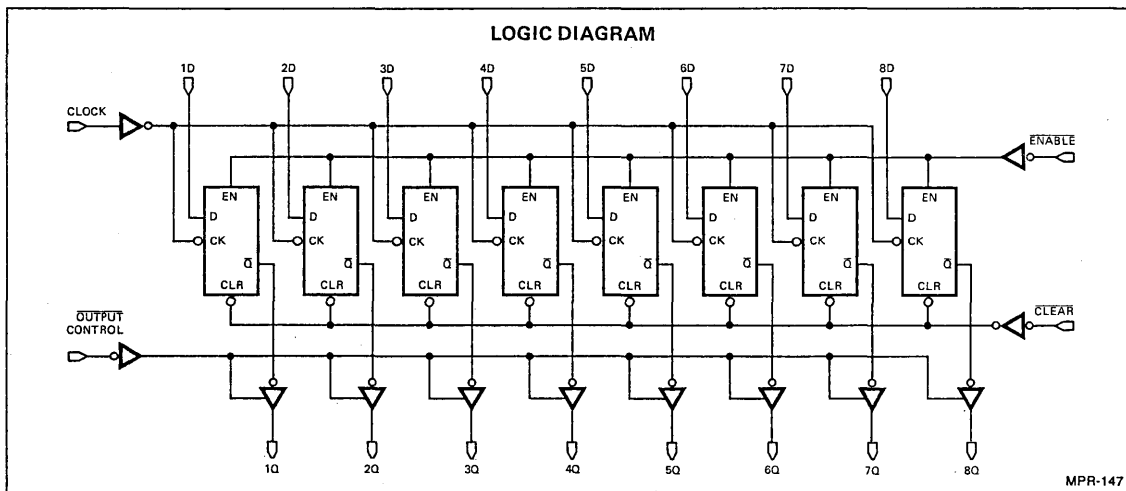


Figure 21. Am2920 Octal D-Type Flip-Flops with 3-State Outputs. Common Clock, Clear, Clock Enable and Output Control, 22 Pin Package.

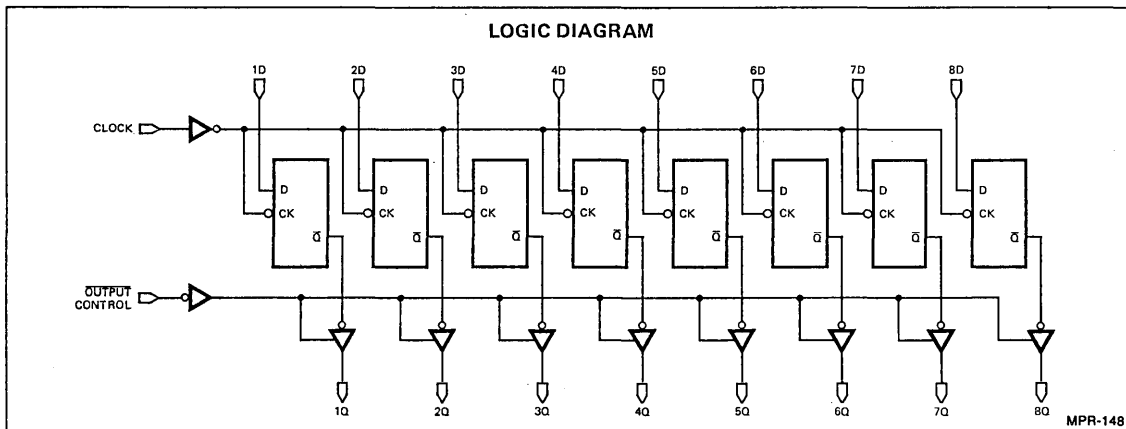


Figure 22. Am25LS374 Octal D-Type Flip-Flops with 3-State Outputs, 20 Pin Package.

Am2914 PRIORITY INTERRUPT ENCODER DETAILED LOGIC DESCRIPTION

INTRODUCTION

A clear understanding of the Am2914 Priority Interrupt controller's operation facilitates its efficient use. With that idea in mind, a detailed logic description of the Am2914 is presented here. A detailed logic diagram and control signal truth table are shown, and significant aspects of the Am2914 design are described verbally.

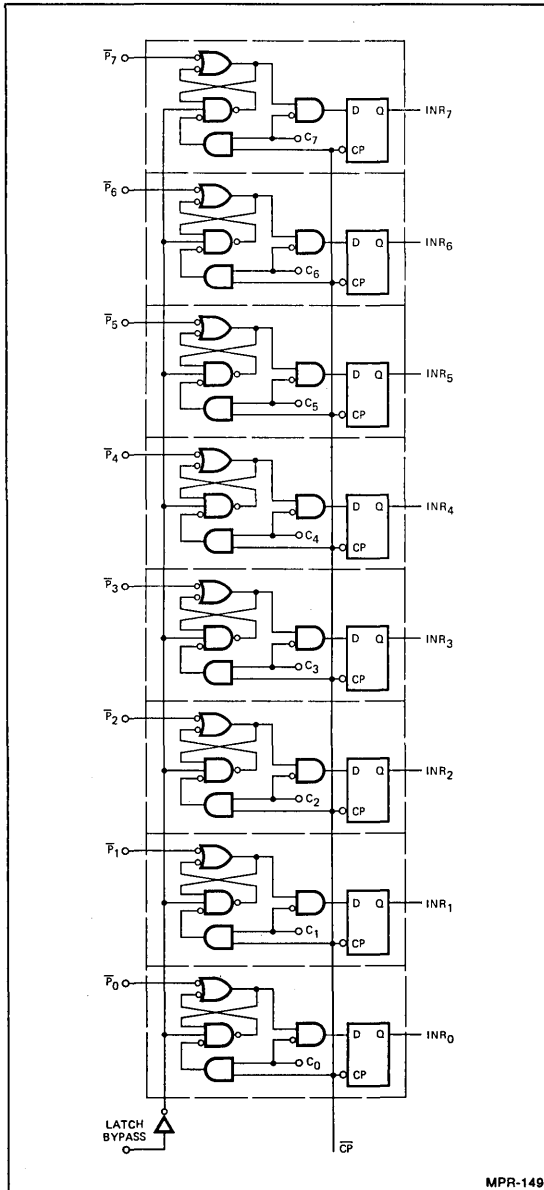


Figure 1. Interrupt Latches and Register.

LOGIC DIAGRAM DESCRIPTION

The Interrupt Latches and Register are shown in Figure 1. The Interrupt latches are set/reset-type latches. When the Latch Bypass signal is LOW, the latches are enabled and act as negative pulse catchers on the inputs to the Interrupt Register. When the Latch Bypass signal is HIGH, the Interrupt latches are transparent. The Interrupt Register holds the Interrupt Inputs and is an eight-bit, edge-triggered register. It is updated on the LOW-to-HIGH transition of the clock pulse (HIGH-to-LOW transition of the \overline{CP} signal) as are all of the flip-flops on the chip.

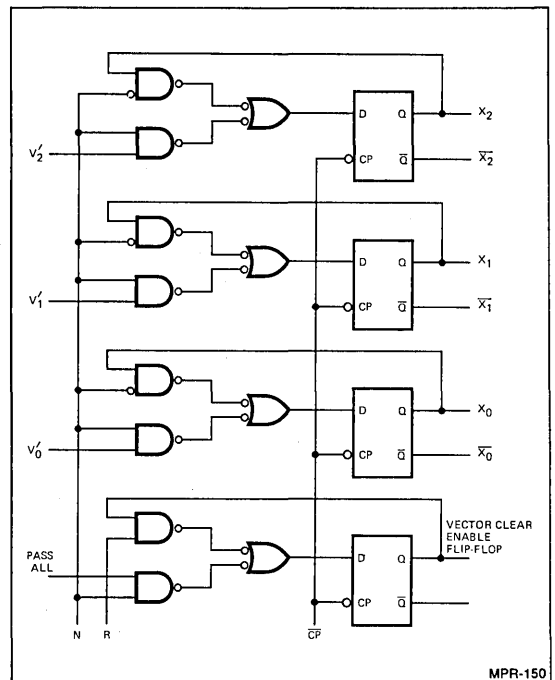


Figure 2. Vector Hold Register

When a Read Vector instruction is executed, the binary coded vector is loaded into the Vector Hold Register of Figure 2. This stored vector can be used later for clearing the interrupt associated with the last vector that was read. The Vector Clear Enable Flip-Flop of Figure 2 is set when a Read Vector instruction is executed and the PASS ALL signal is HIGH. A HIGH PASS ALL signal level indicates that this group is enabled and that an interrupt request in this group was detected and passed priority. The Vector Hold Register and the Vector Clear Enable Flip-Flop are cleared when a Master Clear, Clear All Interrupts, or Clear Interrupt Last Vector Read is executed. Table 1 shows the generation of the "N and R" control signals for each of these operations.

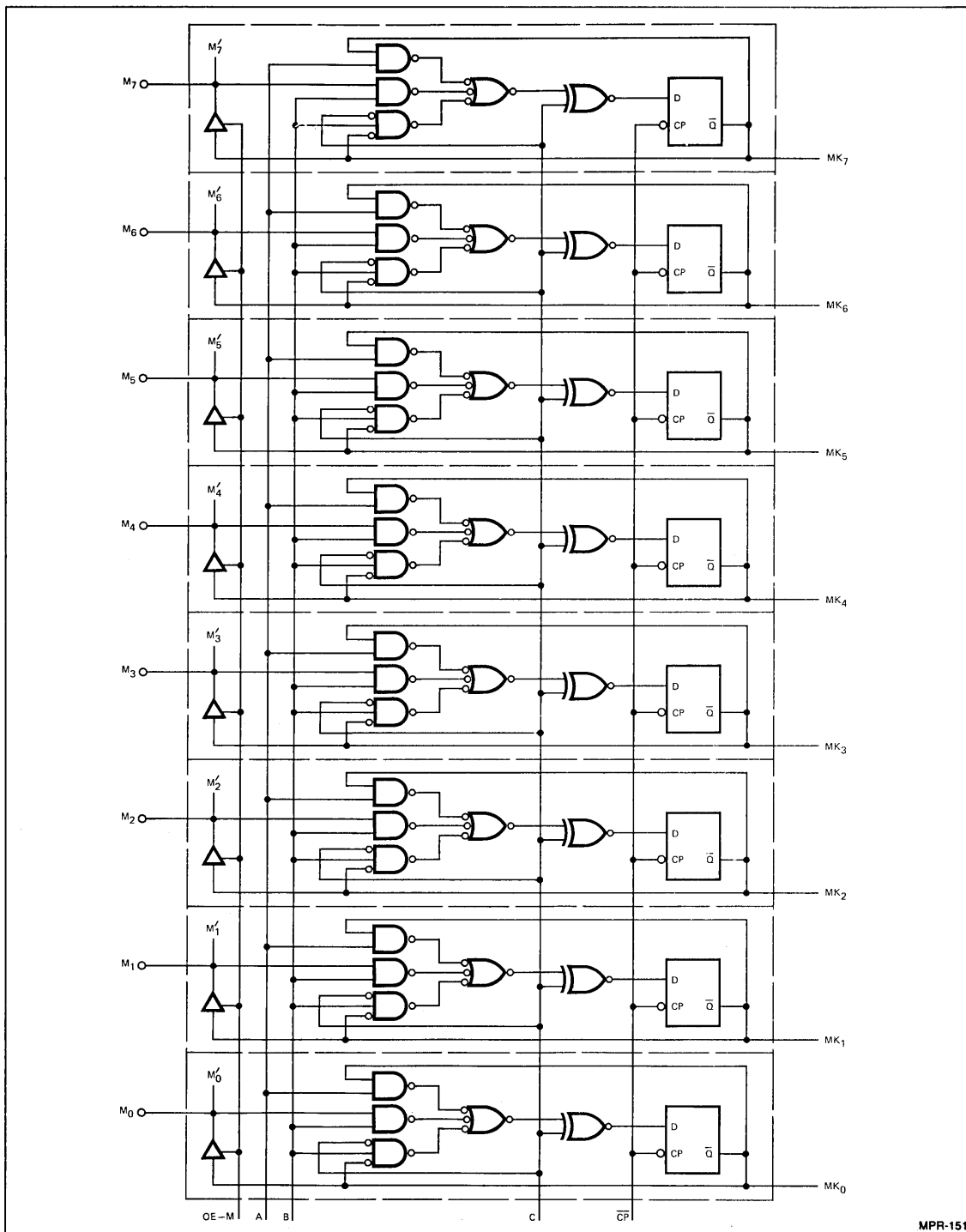
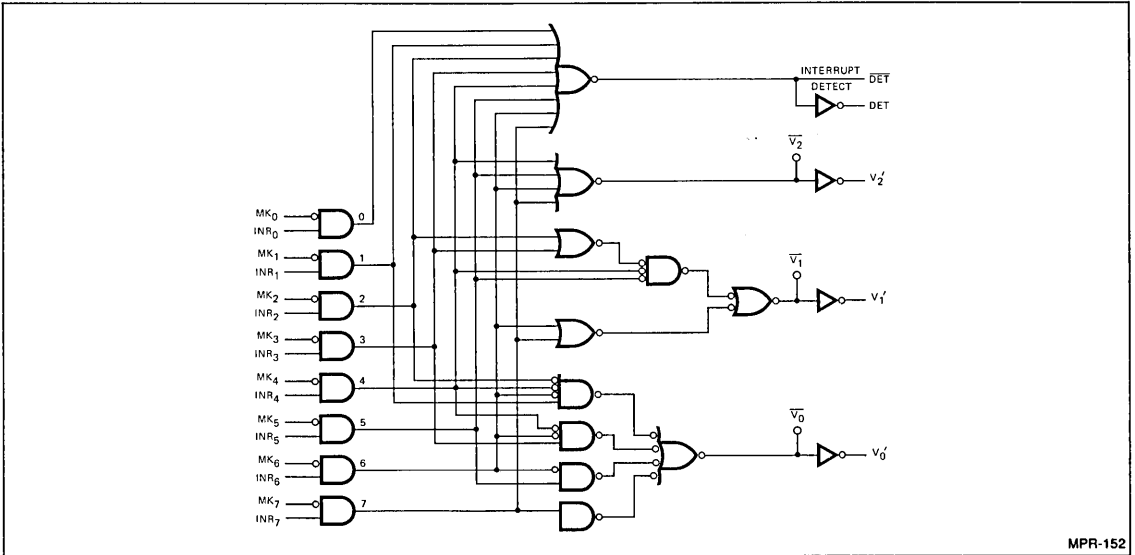


Figure 3. Mask Register.

The Mask Register shown in Figure 3 holds the eight mask bits associated with the eight interrupt levels. The register may be set or cleared, bit set or bit cleared from the "M"

bus, or loaded or read to the "M" bus. Table 1 shows the generation of the "A", "B", "C" and "OE-M" control signals for each of these operations.

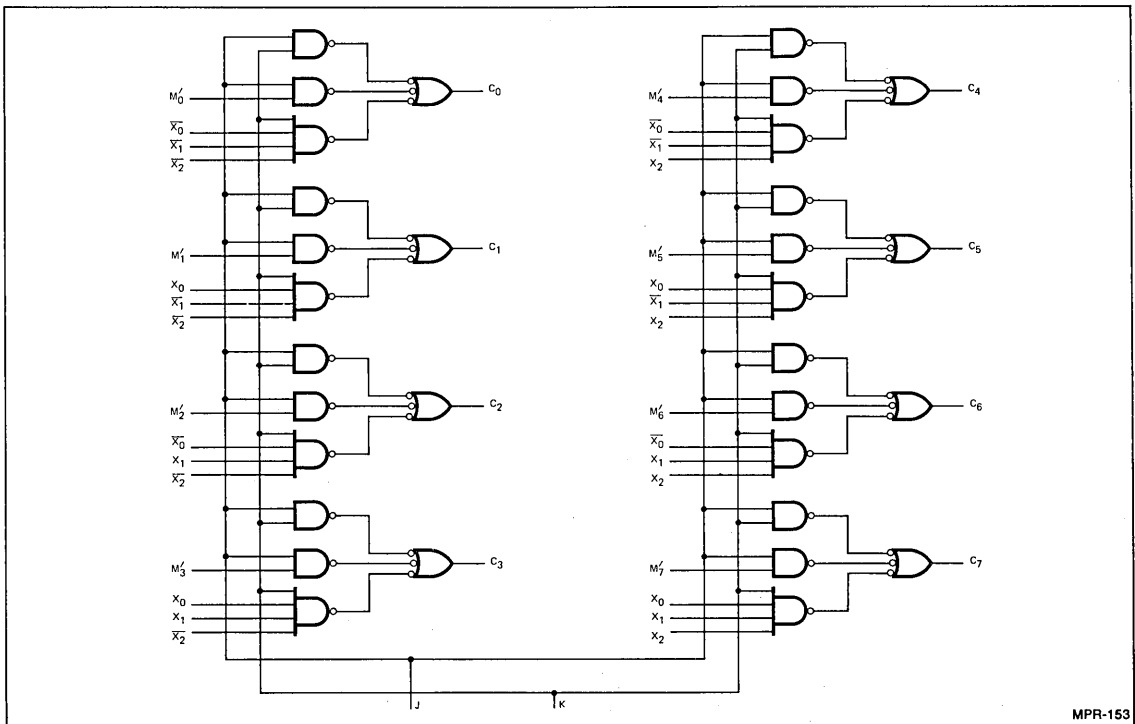


MPR-152

Figure 4. Interrupt Request Detect and Priority Decoder.

The Interrupt Request Detect and Priority Encode circuitry are shown in Figure 4. The Interrupt Detect circuitry detects the presence of any unmasked Interrupt Input. The

eight-input Priority Encoder determines the highest priority, non-masked Interrupt Input and forms a binary coded interrupt vector, V_0-V_2 .



MPR-153

Figure 5. Clear Control.

The Clear Control logic of Figure 5 generates the eight individual clear signals for the eight Interrupt Register bits. Under microinstruction control, all interrupts, interrupts with corresponding mask register bits set, interrupts with

corresponding mask bus bits equal to one, or the interrupt associated with the last vector read may be cleared. Table 1 shows the generation of the "J" and "K" control signals for each of these operations.

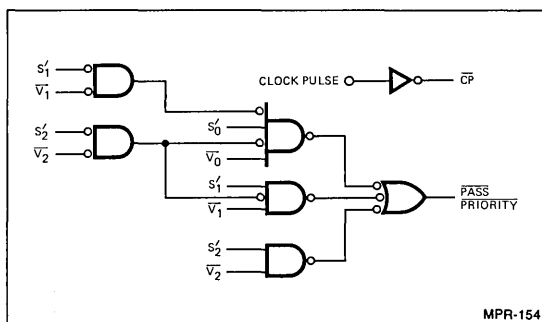


Figure 6. Three-Bit comparator.

The three-bit Comparator of Figure 6 compares the interrupt vector with the contents of the Status Register. A LOW signal level at the PASS PRIORITY output indicates that the interrupt vector is greater than or equal to the contents of the Status Register.

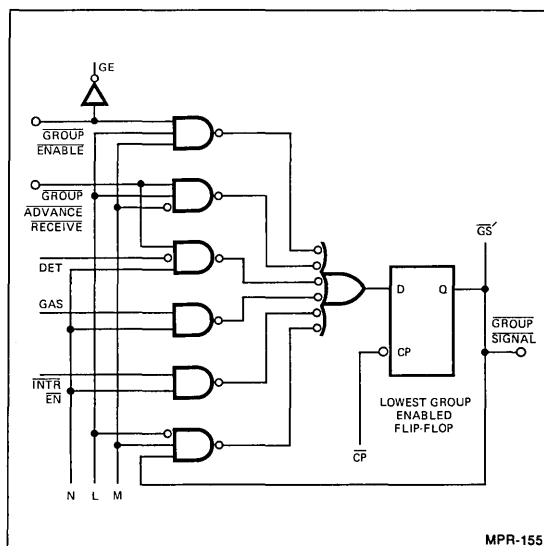


Figure 7. Group Enable Logic.

The Lowest Group Enabled Flip-Flop, Figure 7, is used when a number of Am2914's are cascaded. In a cascaded system, only one Lowest Group Enabled Flip-Flop is LOW at a time. It indicates the group which contains the lowest priority interrupt which will be accepted and is used to form the high order status bits. When a Load Status instruction is executed, the flip-flop is loaded from the GROUP ENABLE input. When a

Master Clear instruction is executed, it is loaded from the GROUP ADVANCE RECEIVE input. The flip-flop is set HIGH when a Read Vector instruction is executed if a Group Advance is not received and no interrupt in this group is detected, if a Group Advance is sent from this group, or if interrupts from this group are disabled. For all other instructions, the flip-flop remains the same. Table 1 shows the generation of the "N", "L" and "M" control signals for these operations.

The Status Register holds the status bits and may be loaded from or read to the "S" bus as shown in Figure 8. Note that when a Load Status instruction is executed, status from the "S" bus is loaded into the Status Register only if the GROUP ENABLE input is LOW; if the GROUP ENABLE input is HIGH, the Status Register is cleared. Also note that during a Read Status instruction, the Status Register outputs are enabled onto the "S" bus only if the Lowest Group Enabled Flip-Flop of this group is LOW. When a Read Vector instruction is executed, the incrementer increases the vector by one and the result is loaded into the Status Register. Thus, the Status Register always points to the lowest level at which an interrupt will be accepted. Table 1 shows the generation of the "F", "G" and "OE-S" control signals for Status Register operations.

The Interrupt Request Logic, shown in Figure 9, generates the RIPPLE DISABLE, PARALLEL DISABLE, INTERRUPT REQUEST, GROUP ADVANCE SEND, and STATUS OVERFLOW output signals. The PARALLEL DISABLE signal is generated when the Lowest Group Enabled signal is LOW or an interrupt request in this group is detected and passes priority. The RIPPLE DISABLE signal is generated when the PARALLEL DISABLE signal is generated and also when the INTERRUPT DISABLE input signal is LOW. The INTERRUPT REQUEST output signal is generated when interrupt requests in this group are enabled and a request is detected and passes priority. The GROUP ADVANCE SEND output signal is generated when a vector of value seven is being read. The Status Overflow Flip-Flop is set LOW when a vector of value seven is read and indicates the Status Register has overflowed. The Interrupt Request Enable Flip-Flop is either set or reset by the Enable Request or Disable Request microinstructions respectively, and is used to enable or disable the INTERRUPT REQUEST output. Table 1 shows the generation of control signals "D", "E", "S" and "H".

Note that the vector outputs are enabled only when a Read Vector is being executed. Also note that when a Read Vector instruction is executed, the vector outputs will be disabled after the execution of the instruction since the Status Register is loaded with V+1, and the INTERRUPT REQUEST will no longer be generated.

The Microinstruction Decode circuitry, Figure 10, decodes the Am2914 microinstructions and generates the required internal control signals. Table 1 shows the truth table for these functions and Figure 11 shows the function tables.

Table 1. Am2914 Control Signal Truth Table.
0 = LOW, 1 = HIGH

| Microinstruction | | | | | | Function | Mask Register | | | | Status Register | | | Group Enable | | Clear Control | | Iprt Request Enable | | Vector Hold Register | | Other | | |
|------------------|------------------|-------|-------|-------|-------|-------------------------|---------------|---|---|---|-----------------|---|---|-------------------|---|---------------|-----|---------------------|---|----------------------|---|-------|---|---|
| Decimal | $\overline{I_E}$ | I_3 | I_2 | I_1 | I_0 | | Description | A | B | C | OE-M | F | G | $\overline{OE-S}$ | L | M | J | K | D | E | N | R | S | H |
| 0 | 0 | 0 | 0 | 0 | 0 | Master Clear | 0 | 0 | 1 | 0 | 0 | 0 | 1 | 1 | 0 | 1 | 1 | 0 | 1 | 0 | 0 | 1 | 1 | |
| 1 | 0 | 0 | 0 | 0 | 1 | Clear All Interrupts | 1 | 0 | 1 | 0 | 0 | 1 | 1 | 0 | 1 | 1 | 1 | 1 | 1 | X | 0 | 0 | 1 | 0 |
| 2 | 0 | 0 | 0 | 1 | 0 | Clear Intr Via M Bus | 1 | 0 | 1 | 0 | 0 | 1 | 1 | 0 | 1 | 1 | 0 | 1 | X | 0 | 1 | 1 | 0 | 0 |
| 3 | 0 | 0 | 0 | 1 | 1 | Clear Intr Via M Reg | 1 | 0 | 1 | 1 | 0 | 1 | 1 | 0 | 1 | 1 | 0 | 1 | X | 0 | 1 | 1 | 0 | 0 |
| 4 | 0 | 0 | 1 | 0 | 0 | Clear Intr, Last Vector | 1 | 0 | 1 | 0 | 0 | 1 | 1 | 0 | 1 | 0 | 1/0 | 1 | X | 0 | 0 | 0 | 1 | 0 |
| 5 | 0 | 0 | 1 | 0 | 1 | Read Vector | 1 | 0 | 1 | 0 | 0/1 | 0 | 1 | 0 | 0 | 0 | 0 | 0 | 1 | X | 1 | 0 | 0 | 1 |
| 6 | 0 | 0 | 1 | 1 | 0 | Read Status Reg | 1 | 0 | 1 | 0 | 0 | 1 | 0 | 0 | 1 | 0 | 0 | 0 | 1 | X | 0 | 1 | 1 | 0 |
| 7 | 0 | 0 | 1 | 1 | 1 | Read Mask Reg | 1 | 0 | 1 | 1 | 0 | 1 | 1 | 0 | 1 | 0 | 0 | 0 | 1 | X | 0 | 1 | 1 | 0 |
| 8 | 0 | 1 | 0 | 0 | 0 | Set Mask Reg | 0 | 0 | 0 | 0 | 0 | 1 | 1 | 0 | 1 | 0 | 0 | 1 | X | 0 | 1 | 1 | 0 | 0 |
| 9 | 0 | 1 | 0 | 0 | 1 | Load Status Reg | 1 | 0 | 1 | 0 | 1 | 1 | 1 | 1 | 1 | 0 | 0 | 1 | X | 0 | 1 | 1 | 1 | 1 |
| 10 | 0 | 1 | 0 | 1 | 0 | Bit Clear Mask Reg | 0 | 1 | 0 | 0 | 0 | 1 | 1 | 0 | 1 | 0 | 0 | 1 | X | 0 | 1 | 1 | 0 | 0 |
| 11 | 0 | 1 | 0 | 1 | 1 | Bit Set Mask Reg | 1 | 1 | 1 | 0 | 0 | 1 | 1 | 0 | 1 | 0 | 0 | 1 | X | 0 | 1 | 1 | 0 | 0 |
| 12 | 0 | 1 | 1 | 0 | 0 | Clear Mask Reg | 0 | 0 | 1 | 0 | 0 | 1 | 1 | 0 | 1 | 0 | 0 | 1 | X | 0 | 1 | 1 | 0 | 0 |
| 13 | 0 | 1 | 1 | 0 | 1 | Disable Request | 1 | 0 | 1 | 0 | 0 | 1 | 1 | 0 | 1 | 0 | 0 | 0 | 0 | 0 | 1 | 1 | 0 | 0 |
| 14 | 0 | 1 | 1 | 1 | 0 | Load Mask Reg | 0 | 1 | 1 | 0 | 0 | 1 | 1 | 0 | 1 | 0 | 0 | 1 | X | 0 | 1 | 1 | 0 | 0 |
| 15 | 0 | 1 | 1 | 1 | 1 | Enable Request | 1 | 0 | 1 | 0 | 0 | 1 | 1 | 0 | 1 | 0 | 0 | 0 | 1 | 0 | 1 | 1 | 0 | 0 |
| X | 1 | X | X | X | X | Instruction Disable | 1 | 0 | 1 | 0 | 0 | 1 | 1 | 0 | 1 | 0 | 0 | 1 | X | 0 | 1 | 1 | 0 | 0 |

Notes: 1. Control line "F" during "READ VECTOR" instruction is 0 when "PASS ALL" is LOW and 1 when "PASS ALL" is HIGH.
2. Control line "K" during "Clear Intr, Last Vector" instruction is 0 when "Vector Clear Enable" is LOW and 1 when "Vector Clear Enable" is HIGH.

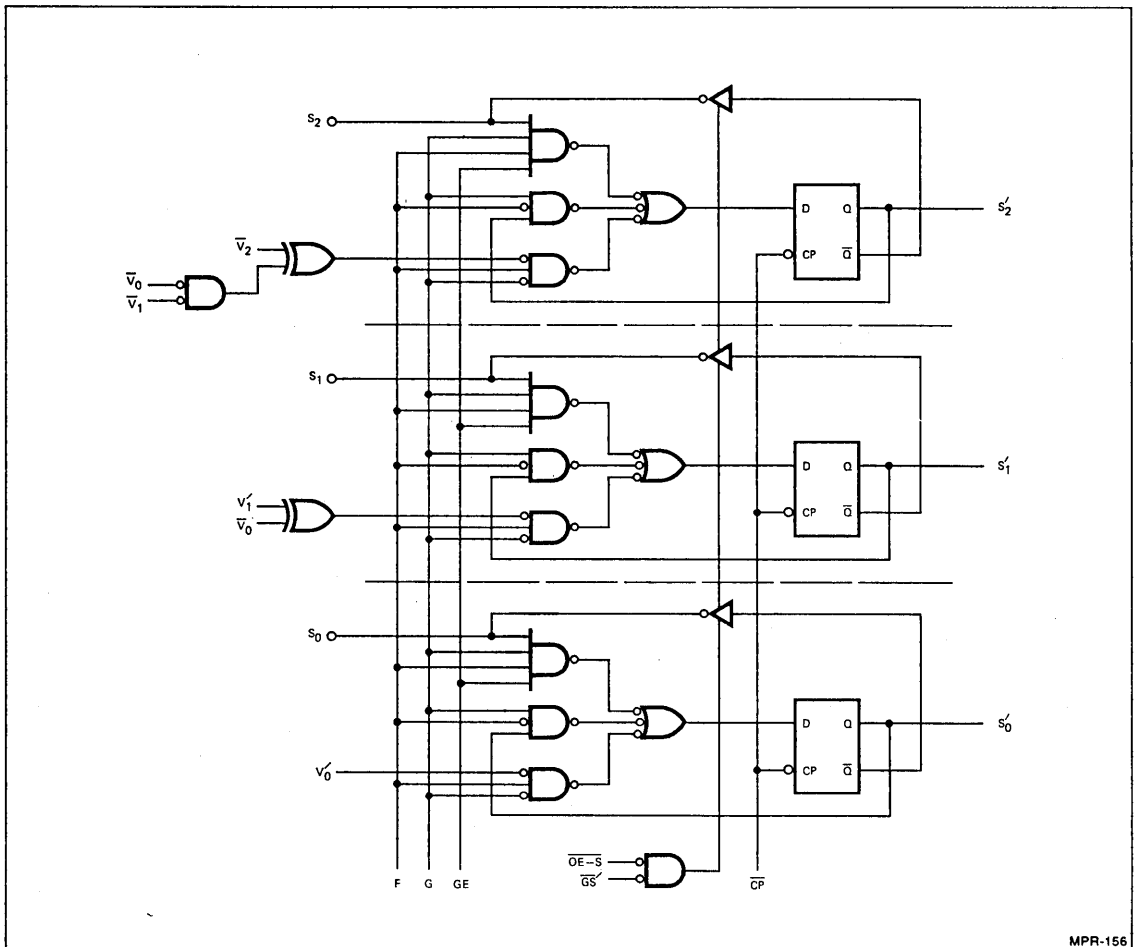
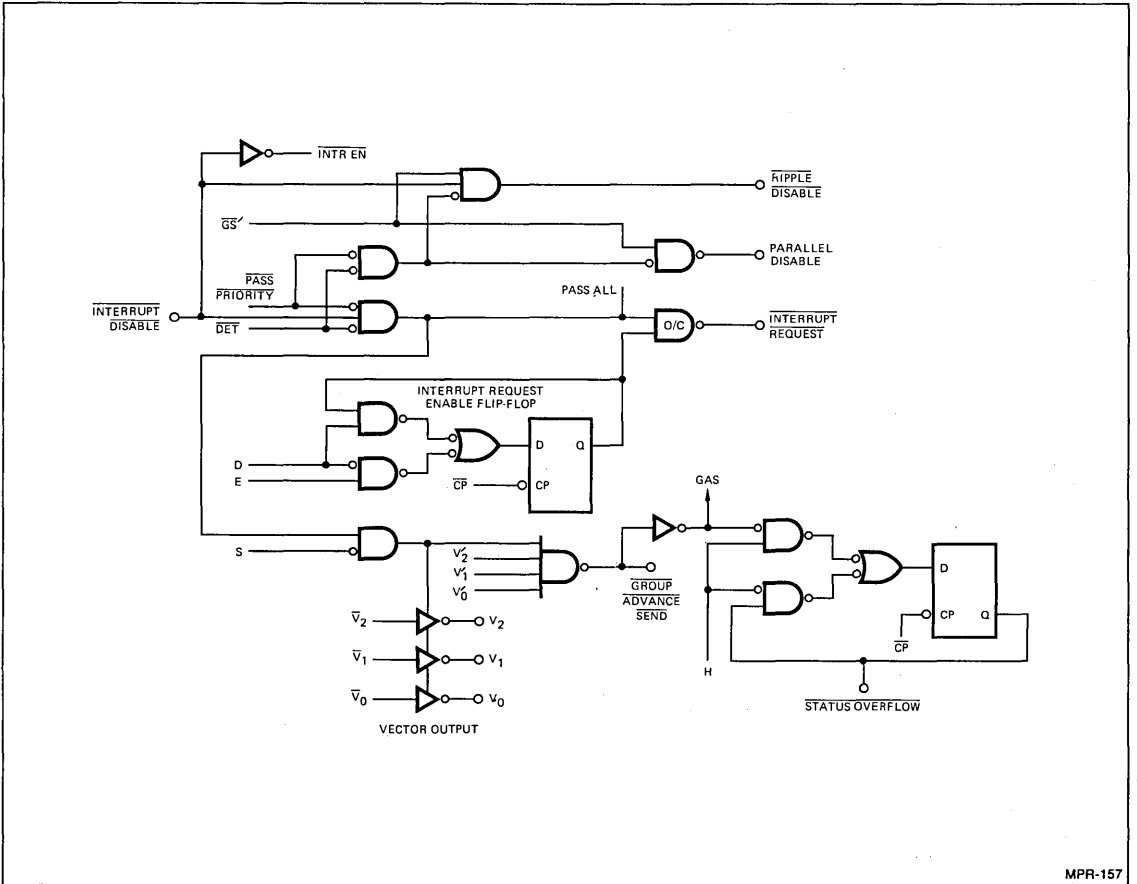
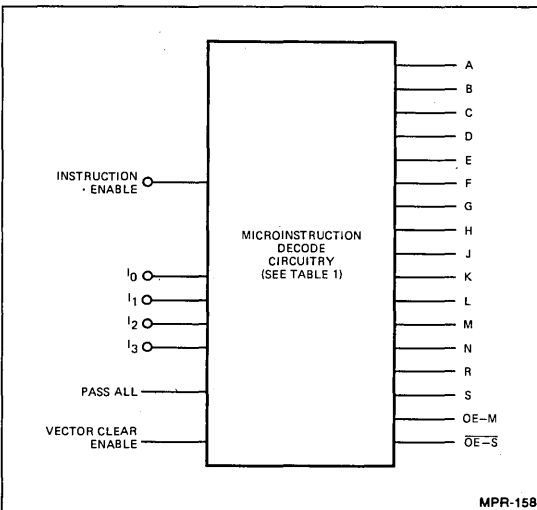


Figure 8. Incrementer and Status Register.



MPR-157

Figure 9. Interrupt Request Logic.



MPR-158

Figure 10.

| MASK REGISTER | | | STATUS REGISTER | | | |
|---------------|---|---|-----------------|---|---|------------------|
| A | B | C | FUNCTION | F | G | FUNCTION |
| 0 | 0 | 0 | SET | 0 | 0 | CLEAR |
| 0 | 0 | 1 | CLEAR | 0 | 1 | HOLD |
| 0 | 1 | 0 | BIT CLEAR | 1 | 0 | LOAD VECTOR + 1 |
| 0 | 1 | 1 | LOAD | 1 | 1 | LOAD VIA "S" BUS |
| 1 | 0 | 1 | HOLD | | | |
| 1 | 1 | 1 | BIT SET | | | |

| CLEAR CONTROL | | INTERRUPT REQUEST ENABLE FLIP-FLOP | | | |
|---------------|---|------------------------------------|---|---|---------------|
| J | K | FUNCTION | D | E | FUNCTION |
| 0 | 0 | NO CLEAR | 0 | 0 | DISABLE IRPTS |
| 0 | 1 | CLEAR IRPT, VECTOR | 0 | 1 | ENABLE IRPTS |
| 1 | 0 | CLEAR IRPTS VIA M | 1 | X | HOLD |
| 1 | 1 | CLEAR ALL IRPTS | | | |

| VECTOR HOLD REGISTER | | VECTOR CLEAR ENABLE FLIP-FLOP | | |
|----------------------|----------|-------------------------------|---|----------|
| N | FUNCTION | N | R | FUNCTION |
| 0 | HOLD | 0 | 0 | CLEAR |
| 1 | LOAD | 0 | 1 | HOLD |
| | | 1 | 0 | LOAD |

| LOWEST GROUP ENABLED FLIP-FLOP | | STATUS OVERFLOW FLIP-FLOP | | |
|--------------------------------|---|--------------------------------|---|----------|
| L | M | FUNCTION | H | FUNCTION |
| 0 | 0 | UPDATE | 0 | HOLD |
| 0 | 1 | HOLD | 1 | LOAD |
| 1 | 0 | LOAD VIA GROUP ADVANCE RECEIVE | | |
| 1 | 1 | LOAD VIA GROUP ENABLE | | |

Figure 11. Control Function Tables.

Am2915A

Quad Three-State Bus Transceiver With Interface Logic

Distinctive Characteristics

- Quad high-speed LSI bus-transceiver
- Three-state bus driver
- Two-port input to D-type register on driver
- Bus driver output can sink 48mA at 0.5V max.
- Receiver has output latch for pipeline operation

- Three-state receiver outputs sink 12mA
- Advanced low-power Schottky processing
- 100% reliability assurance testing in compliance with MIL-STD-883
- 3.5V minimum output high voltage for direct interface to MOS microprocessors

FUNCTIONAL DESCRIPTION

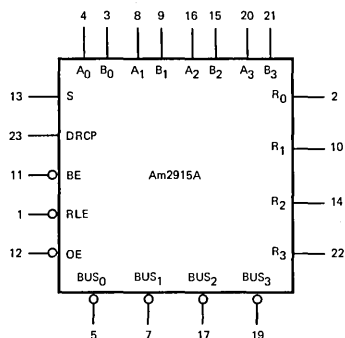
The Am2915A is a high-performance, low-power Schottky bus transceiver intended for bipolar or MOS microprocessor system applications. The device consists of four D-type edge-triggered flip-flops with a built-in two-input multiplexer on each. The flip-flop outputs are connected to four three-state bus drivers. Each bus driver is internally connected to the input of a receiver. The four receiver outputs drive four D-type latches that feature three-state outputs.

This LSI bus transceiver is fabricated using advanced low-power Schottky processing. All inputs (except the BUS inputs) are one LS unit load. The three-state bus output can sink up to 48mA at 0.5V maximum. The bus enable input (BE) is used to force the driver outputs to the high-impedance state. When BE is HIGH, the driver is disabled. The V_{OH} and V_{OL} of the bus driver are selected for compatibility with standard and Low-Power Schottky inputs.

The input register consists of four D-type flip-flops with a buffered common clock and a two-input multiplexer at the input of each flip-flop. A common select input (S) controls the four multiplexers. When S is LOW, the A_i data is stored in the register and when S is HIGH, the B_i data is stored. The buffered common clock (DRCP) enters the data into this driver register on the LOW-to-HIGH transition.

Data from the A or B inputs is inverted at the BUS output. Likewise, data at the BUS input is inverted at the receiver output. Thus, data is non-inverted from driver input to receiver output. The four receivers each feature a built-in D-type latch that is controlled from the buffered receiver latch enable (RLE) input. When the RLE input is LOW, the latch is open and the receiver outputs will follow the bus inputs (BUS data inverted and OE LOW). When the RLE input is HIGH, the latch will close and retain the present data regardless of the bus input. The four latches have three-state outputs and are controlled by a buffered common three-state control (OE) input. When OE is HIGH, the receiver outputs are in the high-impedance state.

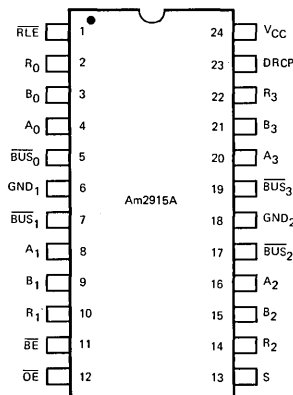
LOGIC SYMBOL



V_{CC} = Pin 24
 GND_1 = Pin 6
 GND_2 = Pin 18

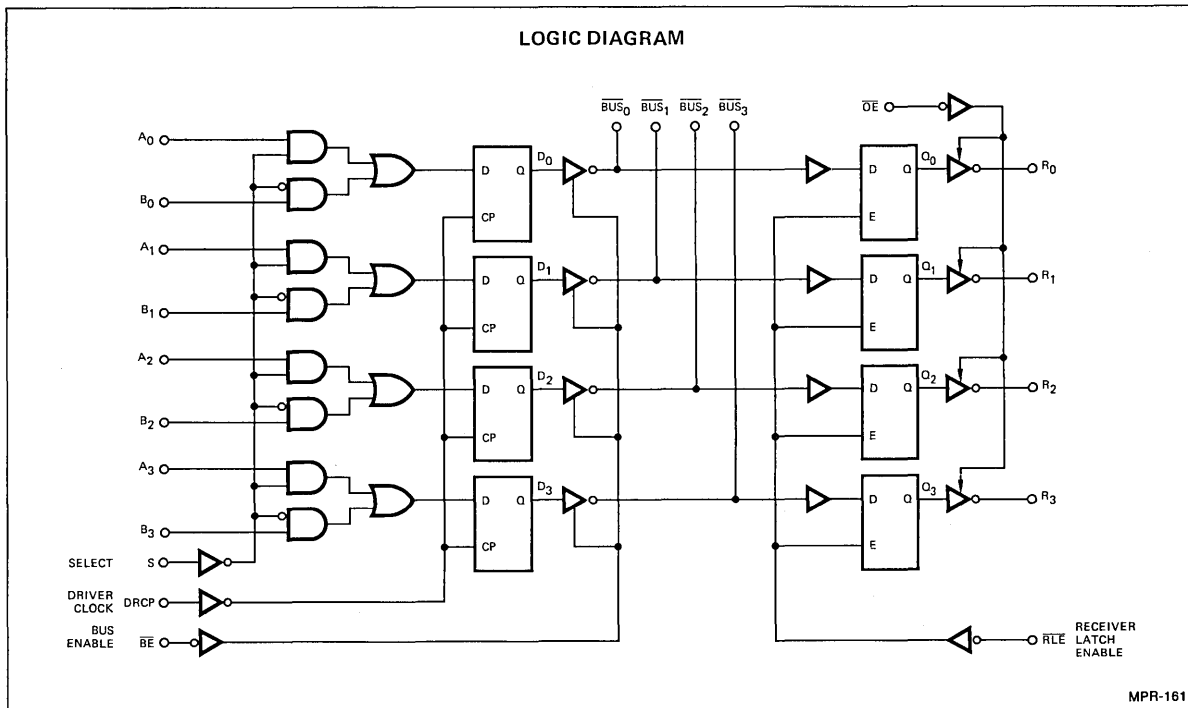
MPR-159

CONNECTION DIAGRAM Top View



Note: Pin 1 is marked for orientation.

MPR-160



MAXIMUM RATINGS (Above which the useful life may be impaired)

| | |
|---|--------------------------------|
| Storage Temperature | -65°C to +150°C |
| Temperature (Ambient) Under Bias | -55°C to +125°C |
| Supply Voltage to Ground Potential | -0.5V to +7V |
| DC Voltage Applied to Outputs for HIGH Output State | -0.5V to +V _{CC} max. |
| DC Input Voltage | -0.5V to +5.5V |
| DC Output Current, Into Outputs (Except Bus) | 30mA |
| DC Output Current, Into Bus | 100mA |
| DC Input Current | -30mA to +5.0mA |

ELECTRICAL CHARACTERISTICS

The following conditions apply unless otherwise noted:

Am2915AXC (COM'L) T_A = 0°C to +70°C V_{CC} MIN. = 4.75V V_{CC} MAX. = 5.25V
 Am2915AXM (MIL) T_A = -55°C to +125°C V_{CC} MIN. = 4.50V V_{CC} MAX. = 5.50V

BUS INPUT/OUTPUT CHARACTERISTICS OVER OPERATING TEMPERATURE RANGE

| Parameters | Description | Test Conditions (Note 1) | Min. | Typ. | Max. | Units |
|------------------|--------------------------------------|---|--------------------------------|------|------|-------|
| V _{OL} | Bus Output LOW Voltage | V _{CC} = MIN. | I _{OL} = 24mA | | 0.4 | Volts |
| | | | I _{OL} = 48mA | | 0.5 | |
| V _{OH} | Bus Output HIGH Voltage | V _{CC} = MIN. | COM'L, I _{OH} = -20mA | 2.4 | | Volts |
| | | | MIL, I _{OH} = -15mA | | | |
| I _O | Bus Leakage Current (High Impedance) | V _{CC} = MAX. Bus enable = 2.4V | V _O = 0.4V | | -200 | μA |
| | | | V _O = 2.4V | | 50 | |
| | | | V _O = 4.5V | | 100 | |
| I _{OFF} | Bus Leakage Current (Power OFF) | V _O = 4.5V V _{CC} = 0V | | | 100 | μA |
| V _{IH} | Receiver Input HIGH Threshold | Bus enable = 2.4V | 2.0 | | | Volts |
| V _{IL} | Receiver Input LOW Threshold | Bus enable = 2.4V | COM'L | | 0.8 | Volts |
| | | | MIL | | 0.7 | |
| I _{SC} | Bus Output Short Circuit Current | V _{CC} = MAX. V _O = 0V | -50 | -120 | -225 | mA |

Am2915A

ELECTRICAL CHARACTERISTICS

The following conditions apply unless otherwise noted:

Am2915AXC (COM'L) $T_A = 0^\circ\text{C to } +70^\circ\text{C}$ $V_{CC\text{ MIN.}} = 4.75\text{ V}$ $V_{CC\text{ MAX.}} = 5.25\text{ V}$
 Am2915AXM (MIL) $T_A = -55^\circ\text{C to } +125^\circ\text{C}$ $V_{CC\text{ MIN.}} = 4.50\text{ V}$ $V_{CC\text{ MAX.}} = 5.50\text{ V}$

DC CHARACTERISTICS OVER OPERATING TEMPERATURE RANGE

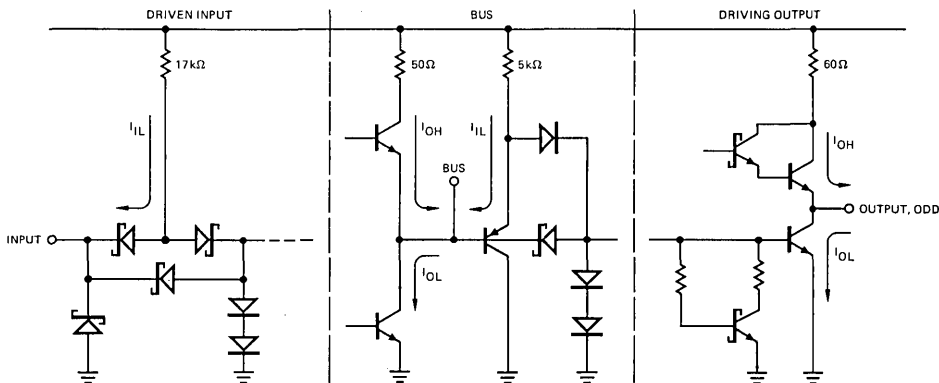
| Parameters | Description | Test Conditions (Note 1) | | Min. | Typ. (Note 2) | Max. | Units |
|-----------------|---|---|------------------------------------|------|------------------|-------|----------------|
| VOH | Receiver Output HIGH Voltage | $V_{CC} = \text{MIN.}$ $V_{IN} = V_{IL}$ or V_{IH} | MIL: $I_{OH} = -1.0\text{ mA}$ | 2.4 | 3.4 | | Volts |
| | | | COM'L: $I_{OH} = -2.6\text{ mA}$ | 2.4 | 3.4 | | |
| | | $V_{CC} = 5.0\text{ V}$, $I_{OH} = -100\mu\text{ A}$ | | 3.5 | | | |
| VOL | Output LOW Voltage (Except Bus) | $V_{CC} = \text{MIN.}$ $V_{IN} = V_{IL}$ or V_{IH} | $I_{OL} = 4.0\text{ mA}$ | | 0.27 | 0.4 | Volts |
| | | | $I_{OL} = 8.0\text{ mA}$ | | 0.32 | 0.45 | |
| | | | $I_{OL} = 12\text{ mA}$ | | 0.37 | 0.5 | |
| V _{IH} | Input HIGH Level (Except Bus) | Guaranteed input logical HIGH for all inputs | | 2.0 | | | Volts |
| V _{IL} | Input LOW Level (Except Bus) | Guaranteed input logical LOW for all inputs | MIL | | | 0.7 | Volts |
| | | | COM'L | | | 0.8 | |
| V _I | Input Clamp Voltage (Except Bus) | $V_{CC} = \text{MIN.}$, $I_{IN} = -18\text{ mA}$ | | | | -1.2 | Volts |
| I _{IL} | Input LOW Current (Except Bus) | $V_{CC} = \text{MAX.}$, $V_{IN} = 0.4\text{ V}$ | \overline{BE} , \overline{RLE} | | | -0.72 | mA |
| | | | All other inputs | | | -0.36 | |
| I _{IH} | Input HIGH Current (Except Bus) | $V_{CC} = \text{MAX.}$, $V_{IN} = 2.7\text{ V}$ | | | | 20 | $\mu\text{ A}$ |
| I _I | Input HIGH Current (Except Bus) | $V_{CC} = \text{MAX.}$, $V_{IN} = 7.0\text{ V}$ | | | | 100 | $\mu\text{ A}$ |
| I _{SC} | Output Short Circuit Current (Except Bus) | $V_{CC} = \text{MAX.}$ | | -30 | | -130 | mA |
| I _{CC} | Power Supply Current | $V_{CC} = \text{MAX.}$ | | | 63 | 95 | mA |
| I _O | Off-State Output Current (Receiver Outputs) | $V_{CC} = \text{MAX.}$ | $V_O = 2.4\text{ V}$ | | | 50 | $\mu\text{ A}$ |
| | | | $V_O = 0.4\text{ V}$ | | | -50 | |

SWITCHING CHARACTERISTICS OVER OPERATING TEMPERATURE RANGE

| Parameters | Description | Test Conditions | Am2915AXM | | | Am2915AXC | | | Units |
|-----------------------------------|--|--|-----------|------------------|------|-----------|------------------|------|-------|
| | | | Min. | Typ. (Note 2) | Max. | Min. | Typ. (Note 2) | Max. | |
| t _{PHL} | Driver Clock (DRCP) to Bus | C_L (BUS) = 50pF R_L (BUS) = 130 Ω | | 21 | 36 | | 21 | 32 | ns |
| t _{PLH} | | | | 21 | 36 | | 21 | 32 | |
| t _{ZH} , t _{ZL} | Bus Enable (\overline{BE}) to Bus | | | 13 | 26 | | 13 | 23 | ns |
| t _{HZ} , t _{LZ} | | | | 13 | 21 | | 13 | 18 | |
| t _s | Data Inputs (A or B) | | | 15 | | | 12 | | ns |
| t _h | | | | 8.0 | | | 6.0 | | |
| t _s | Select Input (S) | | | 28 | | | 25 | | ns |
| t _h | | | | 8.0 | | | 6.0 | | |
| t _{PW} | Driver Clock (DRCP) Pulse Width (HIGH) | | 20 | | | 17 | | ns | |
| t _{PLH} | Bus to Receiver Output (Latch Enable) | $C_L = 15\text{ pF}$ $R_L = 2.0\text{ k}\Omega$ | | 18 | 33 | | 18 | 30 | ns |
| t _{PHL} | | | | 18 | 30 | | 18 | 27 | |
| t _{PLH} | Latch Enable to Receiver Output | | | 21 | 33 | | 21 | 30 | ns |
| t _{PHL} | | | | 21 | 30 | | 21 | 27 | |
| t _s | Bus to Latch Enable (\overline{RLE}) | | | 15 | | | 13 | | ns |
| t _h | | | | 6.0 | | | 4.0 | | |
| t _{ZH} , t _{ZL} | Output Control to Receiver Output | $C_L = 5\text{ pF}$, $R_L = 2.0\text{ k}\Omega$ | | 14 | 26 | | 14 | 23 | ns |
| t _{HZ} , t _{LZ} | | | | 14 | 26 | | 14 | 23 | |

- Notes: 1. For conditions shown as MIN. or MAX., use the appropriate value specified under Electrical Characteristics for the applicable device type.
 2. Typical limits are at $V_{CC} = 5.0\text{ V}$, 25°C ambient and maximum loading.
 3. Not more than one output should be shorted at a time. Duration of the short circuit test should not exceed one second.

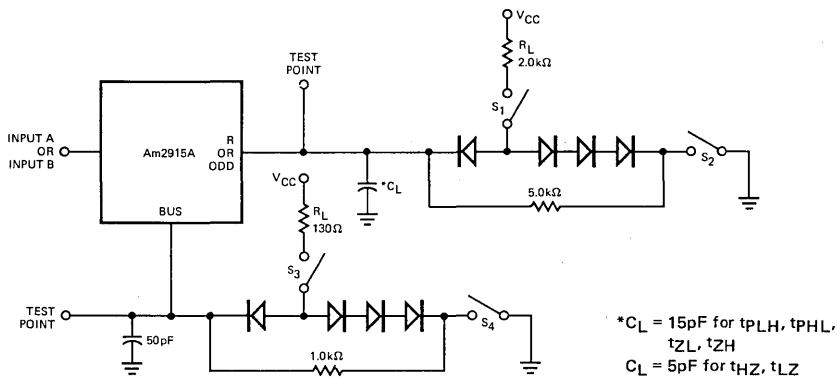
INPUT/OUTPUT CURRENT INTERFACE CONDITIONS



Note: Actual current flow direction shown.

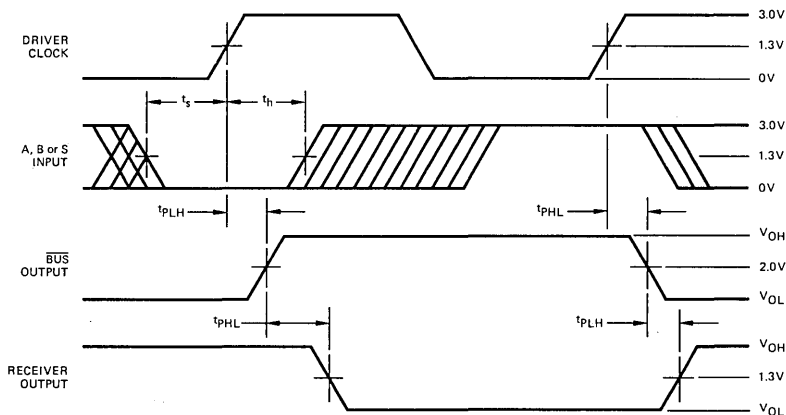
MPR-162

SWITCHING TEST CIRCUIT



MPR-163

SWITCHING WAVEFORMS



Note: Bus to Receiver output delay is measured by clocking data into the driver register and measuring the BUS to R combinatorial delay.

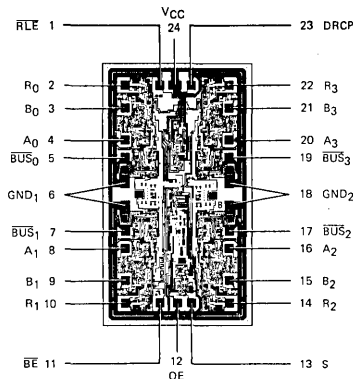
MPR-164

FUNCTIONAL TABLE

| INPUTS | | | | | INTERNAL TO DEVICE | | | BUS | OUTPUT | FUNCTION | |
|--------|----------------|----------------|------|-----------------|--------------------|-----------------|----------------|----------------|------------------|----------|--|
| S | A _i | B _i | DRCP | \overline{BE} | \overline{RLE} | \overline{OE} | D _i | O _i | BUS _i | | R _i |
| X | X | X | X | H | X | X | X | X | Z | X | Driver output disable |
| X | X | X | X | X | X | H | X | X | X | Z | Receiver output disable |
| X | X | X | X | H | L | L | X | L | L | H | Driver output disable and receive data via Bus input |
| X | X | X | X | H | L | L | X | H | H | L | |
| X | X | X | X | X | H | X | X | NC | X | X | Latch received data |
| L | L | X | ↑ | X | X | X | L | X | X | X | Load driver register |
| L | H | X | ↑ | X | X | X | H | X | X | X | |
| H | X | L | ↑ | X | X | X | L | X | X | X | |
| H | X | H | ↑ | X | X | X | H | X | X | X | |
| X | X | X | L | X | X | X | NC | X | X | X | No driver clock restrictions |
| X | X | X | H | X | X | X | NC | X | X | X | |
| X | X | X | X | L | X | X | L | X | H | X | Drive Bus |
| X | X | X | X | L | X | X | H | X | L | X | |

H = HIGH Z = HIGH Impedance X = Don't care i = 0, 1, 2, 3
 L = LOW NC = No change ↑ = LOW to HIGH transition

Metallization and Pad Layout



DIE SIZE .074" X .130"

DEFINITION OF FUNCTIONAL TERMS

- A₀, A₁, A₂, A₃** The "A" word data input into the two input multiplexer of the driver register.
- B₀, B₁, B₂, B₃** The "B" word data input into the two input multiplexers of the driver register.
- S** Select. When the select input is LOW, the A data word is applied to the driver register. When the select input is HIGH, the B word is applied to the driver register.
- DRCP** Driver Clock Pulse. Clock pulse for the driver register.
- \overline{BE}** Bus Enable. When the Bus Enable is HIGH, the four drivers are in the high impedance state.

- $\overline{BUS_0}$, $\overline{BUS_1}$, $\overline{BUS_2}$, $\overline{BUS_3}$** The four driver outputs and receiver inputs (data is inverted).
- R₀, R₁, R₂, R₃** The four receiver outputs. Data from the bus is inverted while data from the A or B inputs is non-inverted.
- \overline{RLE}** Receiver Latch Enable. When \overline{RLE} is LOW, data on the BUS inputs is passed through the receiver latches. When \overline{RLE} is HIGH, the receiver latches are closed and will retain the data independent of all other inputs.
- \overline{OE}** Output Enable. When the \overline{OE} input is HIGH, the four three state receiver outputs are in the high-impedance state.

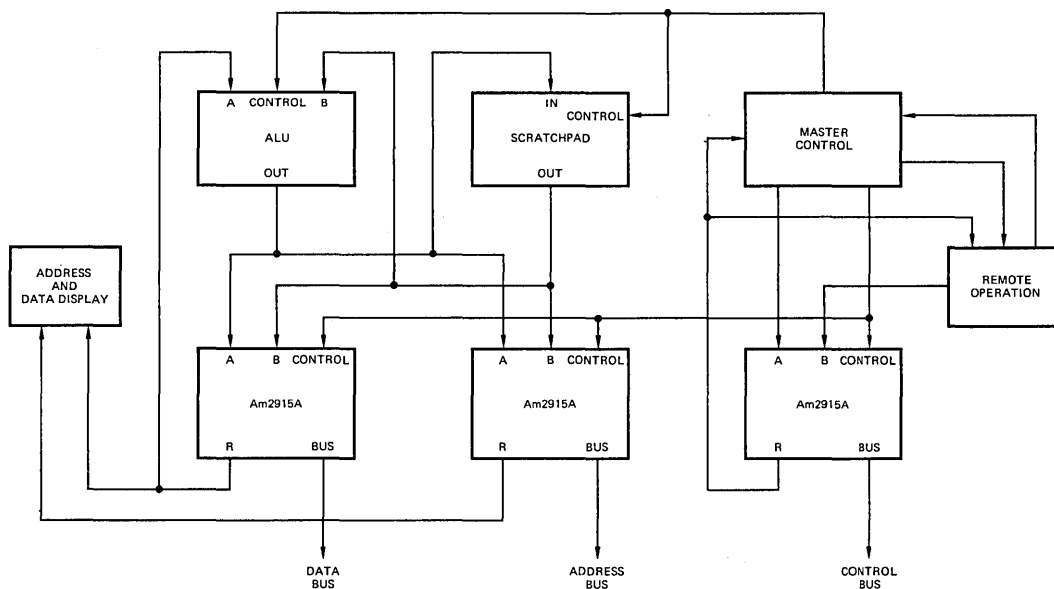
ORDERING INFORMATION

Order the part number according to the table below to obtain the desired package, temperature range, and screening level.

| Order Number | Package Type (Note 1) | Temperature Range (Note 2) | Screening Level (Note 3) |
|--------------|--------------------------|-------------------------------|--|
| AM2915APC | P-24 | C | C-1 |
| AM2915ADC | D-24 | C | C-1 |
| AM2915ADC-B | D-24 | C | B-1 |
| AM2915ADM | D-24 | M | C-3 |
| AM2915ADM-B | D-24 | M | B-3 |
| AM2915AFM | F-24 | M | C-3 |
| AM2915AFM-B | F-24 | M | B-3 |
| AM2915AXC | Dice | C | Visual inspection to MIL-STD-883 Method 2010B. |
| AM2915AXM | Dice | M | |

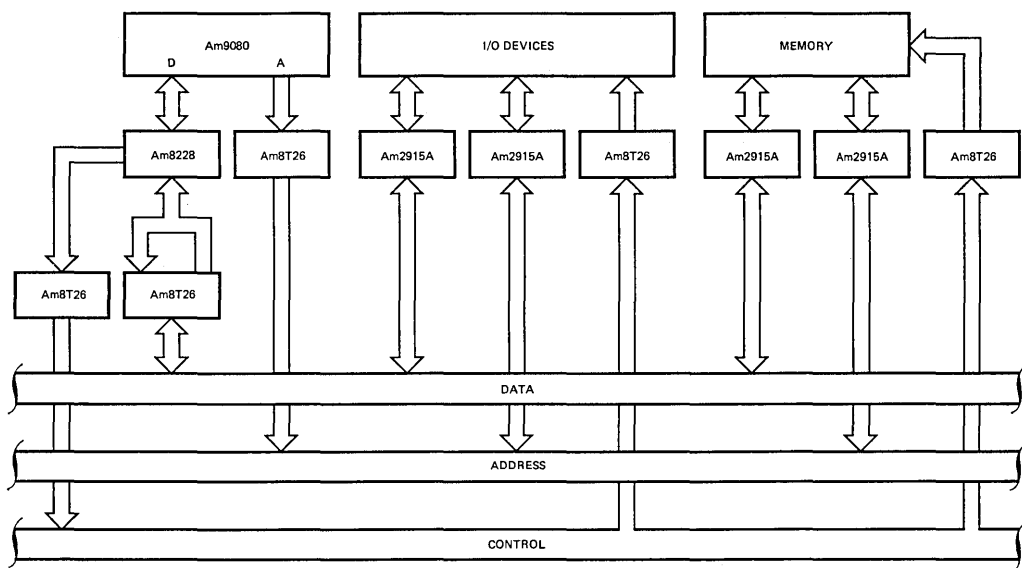
Notes: 1. P = Molded DIP, D = Hermetic DIP, F = Flat Pak. Number following letter is number of leads. See Appendix B for detailed outline. Where Appendix B contains several dash numbers, any of the variations of the package may be used unless otherwise specified.
 2. C = 0°C to +70°C, M = -55°C to +125°C.
 3. See Appendix A for details of screening. Levels C-1 and C-3 conform to MIL-STD-883, Class C. Level B-3 conforms to MIL-STD-883, Class B.

APPLICATIONS



The Am2915A is a universal Bus Transceiver useful for many system data, address, control and timing input/output interfaces.

MPR-165



Using the Am2915A and Am8T26 in a terminated Bus system for the Am9080 MOS Microprocessor.

MPR-166

Am2916A

Quad Three-State Bus Transceiver With Interface Logic

Distinctive Characteristics

- Quad high-speed LSI bus-transceiver
- Three-state bus driver
- Two-port input to D-type register on driver
- Bus driver output can sink 48mA at 0.5V max.
- Internal odd 4-bit parity checker/generator
- Receiver has output latch for pipeline operation
- Receiver outputs sink 12mA
- Advanced low-power Schottky processing
- 100% reliability assurance testing in compliance with MIL-STD-883
- 3.5V minimum output high voltage for direct interface to MOS microprocessors

FUNCTIONAL DESCRIPTION

The Am2916A is a high-performance, low-power Schottky bus transceiver intended for bipolar or MOS microprocessor system applications. The device consists of four D-type edge-triggered flip-flops with a built-in two-input multiplexer on each. The flip-flop outputs are connected to four three-state bus drivers. Each bus driver is internally connected to the input of a receiver. The four receiver outputs drive four D-type latches. The device also contains a four-bit odd parity checker/generator.

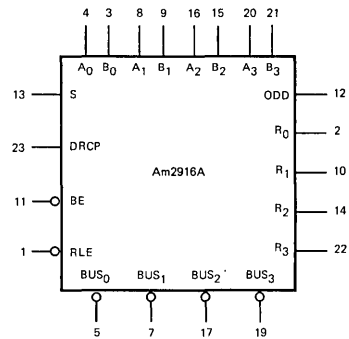
The LSI bus transceiver is fabricated using advanced low-power Schottky processing. All inputs (except the BUS inputs) are one LS unit load. The three-state bus output can sink up to 48mA at 0.5V maximum. The bus enable input (\overline{BE}) is used to force the driver outputs to the high-impedance state. When \overline{BE} is HIGH, the driver is disabled.

The input register consists of four D-type flip-flops with a buffered common clock and a two-input multiplexer at the input of each flip-flop. A common select input (S) controls the four multiplexers. When S is LOW, the A_i data is stored in the register and when S is HIGH, the B_i data is stored. The buffered common clock (DRCP) enters the data into this driver register on the LOW-to-HIGH transition.

Data from the A or B input is inverted at the BUS output. Likewise, data at the BUS input is inverted at the receiver output. Thus, data is non-inverted from driver input to receiver output. The four receivers each feature a built-in D-type latch that is controlled from the buffered receiver latch enable (\overline{RLE}) input. When the \overline{RLE} input is LOW, the latch is open and the receiver outputs will follow the bus inputs (BUS data inverted). When the \overline{RLE} input is HIGH, the latch will close and retain the present data regardless of the bus input.

The Am2916A features a built-in four-bit odd parity checker/generator. The bus enable input (\overline{BE}) controls whether the parity output is in the generate or check mode. When the bus enable is LOW (driver enabled), odd parity is generated based on the A or B field data input to the driver register. When \overline{BE} is HIGH, the parity output is determined by the four latch outputs of the receiver. Thus, if the driver is enabled, parity is generated and if the driver is in the high-impedance state, the BUS parity is checked.

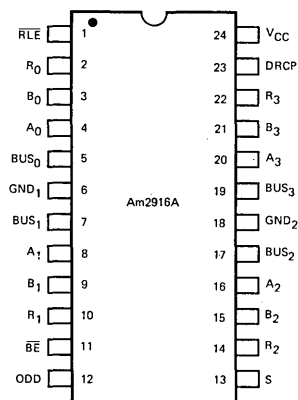
LOGIC SYMBOL



V_{CC} = Pin 24
 GND_1 = Pin 6
 GND_2 = Pin 18

MPR-167

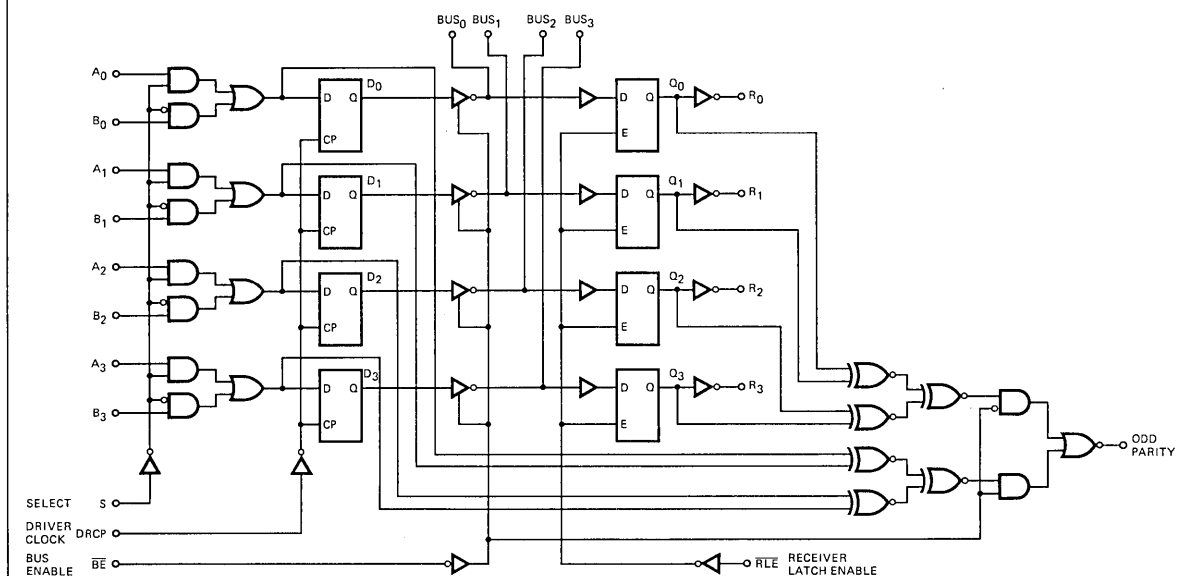
CONNECTION DIAGRAM Top View



Note: Pin 1 is marked for orientation.

MPR-168

LOGIC DIAGRAM



MPR-169

MAXIMUM RATINGS (Above which the useful life may be impaired)

| | |
|---|--------------------------------|
| Storage Temperature | -65°C to +150°C |
| Temperature (Ambient) Under Bias | -55°C to +125°C |
| Supply Voltage to Ground Potential | -0.5V to +7V |
| DC Voltage Applied to Outputs for HIGH Output State | -0.5V to +V _{CC} max. |
| DC Input Voltage | -0.5V to +5.5V |
| DC Output Current, Into Outputs (Except Bus) | 30mA |
| DC Output Current, Into Bus | 100mA |
| DC Input Current | -30mA to +5.0mA |

ELECTRICAL CHARACTERISTICS

The following conditions apply unless otherwise noted:

Am2916AXC (COM'L) T_A = 0°C to +70°C V_{CC}MIN. = 4.75V V_{CC}MAX. = 5.25V
 Am2916AXM (MIL) T_A = -55°C to +125°C V_{CC}MIN. = 4.50V V_{CC}MAX. = 5.50V

BUS INPUT/OUTPUT CHARACTERISTICS OVER OPERATING TEMPERATURE RANGE

| Parameters | Description | Test Conditions (Note 1) | Min. | Typ. | Max. | Units |
|------------------|--------------------------------------|---|--------------------------------|------|------|-------|
| V _{OL} | Bus Output LOW Voltage | V _{CC} = MIN. | I _{OL} = 24mA | | 0.4 | Volts |
| | | | I _{OL} = 48mA | | 0.5 | |
| V _{OH} | Bus Output HIGH Voltage | V _{CC} = MIN. | COM'L, I _{OH} = -20mA | 2.4 | | Volts |
| | | | MIL, I _{OH} = -15mA | | | |
| I _O | Bus Leakage Current (High Impedance) | V _{CC} = MAX. Bus enable = 2.4V | V _O = 0.4V | | -200 | μA |
| | | | V _O = 2.4V | | 50 | |
| | | | V _O = 4.5V | | 100 | |
| I _{OFF} | Bus Leakage Current (Power OFF) | V _O = 4.5V V _{CC} = 0V | | | 100 | μA |
| V _{IH} | Receiver Input HIGH Threshold | Bus enable = 2.4V | 2.0 | | | Volts |
| V _{IL} | Receiver Input LOW Threshold | Bus enable = 2.4V | COM'L | | 0.8 | Volts |
| | | | MIL | | 0.7 | |
| I _{SC} | Bus Output Short Circuit Current | V _{CC} = MAX. V _O = 0V | -50 | -120 | -225 | mA |

Am2916A

ELECTRICAL CHARACTERISTICS

The following conditions apply unless otherwise noted:

Am2916AXC (COM'L) $T_A = 0^\circ\text{C to } +70^\circ\text{C}$ $V_{CC\text{ MIN.}} = 4.75\text{ V}$ $V_{CC\text{ MAX.}} = 5.25\text{ V}$
 Am2916AXM (MIL) $T_A = -55^\circ\text{C to } +125^\circ\text{C}$ $V_{CC\text{ MIN.}} = 4.50\text{ V}$ $V_{CC\text{ MAX.}} = 5.50\text{ V}$

DC CHARACTERISTICS OVER OPERATING TEMPERATURE RANGE

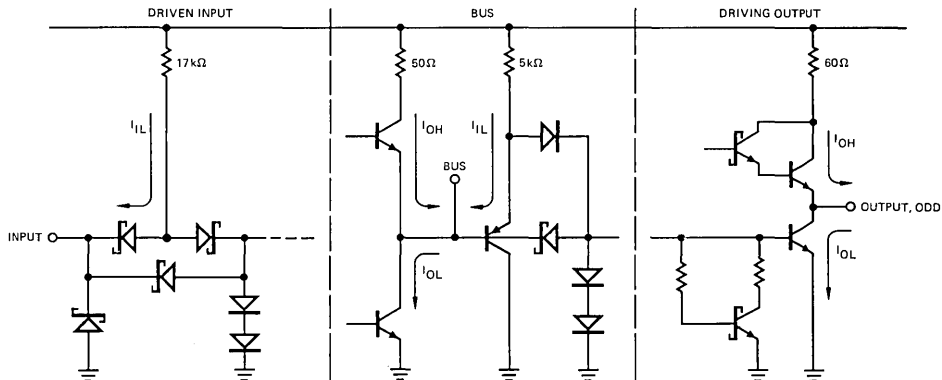
| Parameters | Description | Test Conditions (Note 1) | | Min. | Typ. (Note 2) | Max. | Units |
|------------|---|--|----------------------------------|------|------------------|-------|---------------|
| V_{OH} | Receiver Output HIGH Voltage | $V_{CC} = \text{MIN.}$ $V_{IN} = V_{IL} \text{ or } V_{IH}$ | MIL: $I_{OH} = -1.0\text{ mA}$ | 2.4 | 3.4 | | Volts |
| | | | COM'L: $I_{OH} = -2.6\text{ mA}$ | 2.4 | 3.4 | | |
| | | $V_{CC} = 5.0\text{ V}, I_{OH} = -100\text{ }\mu\text{A}$ | 3.5 | | | | |
| V_{OH} | Parity Output HIGH Voltage | $V_{CC} = \text{MIN.}, I_{OH} = -660\text{ }\mu\text{A}$ $V_{IN} = V_{IH} \text{ or } V_{IL}$ | MIL | 2.5 | 3.4 | | Volts |
| | | | COM'L | 2.7 | 3.4 | | |
| V_{OL} | Output LOW Voltage (Except Bus) | $V_{CC} = \text{MIN.}$ $V_{IN} = V_{IL} \text{ or } V_{IH}$ | $I_{OL} = 4.0\text{ mA}$ | | 0.27 | 0.4 | Volts |
| | | | $I_{OL} = 8.0\text{ mA}$ | | 0.32 | 0.45 | |
| | | | $I_{OL} = 12\text{ mA}$ | | 0.37 | 0.5 | |
| V_{IH} | Input HIGH Level (Except Bus) | Guaranteed input logical HIGH for all inputs | | 2.0 | | | Volts |
| V_{IL} | Input LOW Level (Except Bus) | Guaranteed input logical LOW for all inputs | MIL | | | 0.7 | Volts |
| | | | COM'L | | | | |
| V_I | Input Clamp Voltage (Except Bus) | $V_{CC} = \text{MIN.}, I_{IN} = -18\text{ mA}$ | | | | -1.2 | Volts |
| I_{IL} | Input LOW Current (Except Bus) | $V_{CC} = \text{MAX.}, V_{IN} = 0.4\text{ V}$ | $\overline{BE}, \overline{RLE}$ | | | -0.72 | mA |
| | | | All other inputs | | | | |
| I_{IH} | Input HIGH Current (Except Bus) | $V_{CC} = \text{MAX.}, V_{IN} = 2.7\text{ V}$ | | | | 20 | μA |
| I_I | Input HIGH Current (Except Bus) | $V_{CC} = \text{MAX.}, V_{IN} = 7.0\text{ V}$ | | | | 100 | μA |
| I_{SC} | Output Short Circuit Current (Except Bus) | $V_{CC} = \text{MAX.}$ | RECEIVER | -30 | | -130 | mA |
| | | | PARITY | -20 | | -100 | |
| I_{CC} | Power Supply Current | $V_{CC} = \text{MAX.}, \text{ All Inputs} = \text{GND}$ | | | 75 | 110 | mA |

SWITCHING CHARACTERISTICS OVER OPERATING TEMPERATURE RANGE

| Parameters | Description | Test Conditions | Am2916AXM | | | Am2916AXC | | | Units |
|------------------|--|---|-----------|------------------|------|-----------|------------------|------|-------|
| | | | Min. | Typ. (Note 2) | Max. | Min. | Typ. (Note 2) | Max. | |
| t_{PHL} | Driver Clock (DRCP) to Bus | $C_L (\text{BUS}) = 50\text{ pF}$ $R_L (\text{BUS}) = 130\text{ }\Omega$ | | 21 | 36 | | 21 | 32 | ns |
| t_{PLH} | | | | 21 | 36 | | 21 | 32 | |
| t_{ZH}, t_{ZL} | Bus Enable (\overline{BE}) to Bus | | | 13 | 26 | | 13 | 23 | ns |
| t_{HZ}, t_{LZ} | | | | 13 | 21 | | 13 | 18 | |
| t_s | Data Inputs (A or B) | | | 15 | | | 12 | | ns |
| t_h | | | | 8.0 | | | 6.0 | | |
| t_s | Select Inputs (S) | | | 28 | | | 25 | | ns |
| t_h | | | | 8.0 | | | 6.0 | | |
| t_{PW} | Clock Pulse Width (HIGH) | | | 20 | | | 17 | | ns |
| t_{PLH} | Bus to Receiver Output (Latch Enabled) | | | 18 | 33 | | 18 | 30 | ns |
| t_{PHL} | | | | 18 | 30 | | 18 | 27 | |
| t_{PLH} | Latch Enable to Receiver Output | | | 21 | 33 | | 21 | 30 | ns |
| t_{PHL} | | | | 21 | 30 | | 21 | 27 | |
| t_s | Bus to Latch Enable (\overline{RLE}) | $C_L = 15\text{ pF}$ $R_L = 2.0\text{ k}\Omega$ | | 15 | | | 13 | | ns |
| t_h | | | | 6.0 | | | 4.0 | | |
| t_{PLH} | A or B Data to Odd Parity Output (Driver Enabled) | | | 32 | 46 | | 32 | 42 | ns |
| t_{PHL} | | | | 26 | 40 | | 26 | 36 | |
| t_{PLH} | Bus to Odd Parity Output (Driver Inhibited, Latch Enabled) | | | 21 | 36 | | 21 | 32 | ns |
| t_{PHL} | | | | 21 | 36 | | 21 | 32 | |
| t_{PLH} | Latch Enable (\overline{RLE}) to Odd Parity Output | | | 21 | 36 | | 21 | 32 | ns |
| t_{PHL} | | | | 21 | 36 | | 21 | 32 | |

- Notes: 1. For conditions shown as MIN. or MAX., use the appropriate value specified under Electrical Characteristics for the applicable device type.
 2. Typical limits are at $V_{CC} = 5.0\text{ V}, 25^\circ\text{C}$ ambient and maximum loading.
 3. Not more than one output should be shorted at a time. Duration of the short circuit test should not exceed one second.

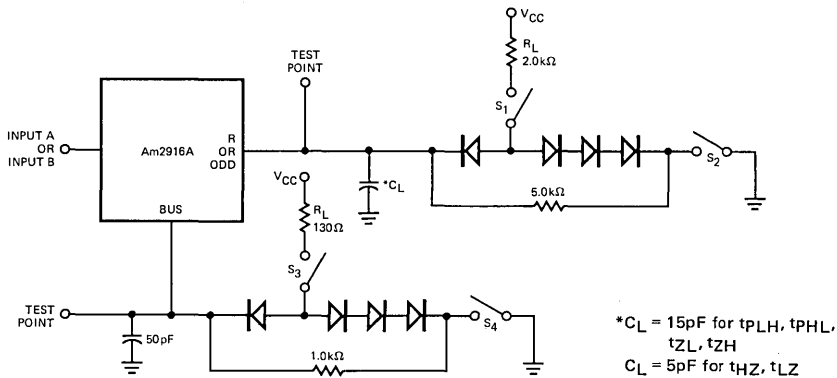
INPUT/OUTPUT CURRENT INTERFACE CONDITIONS



Note: Actual current flow direction shown.

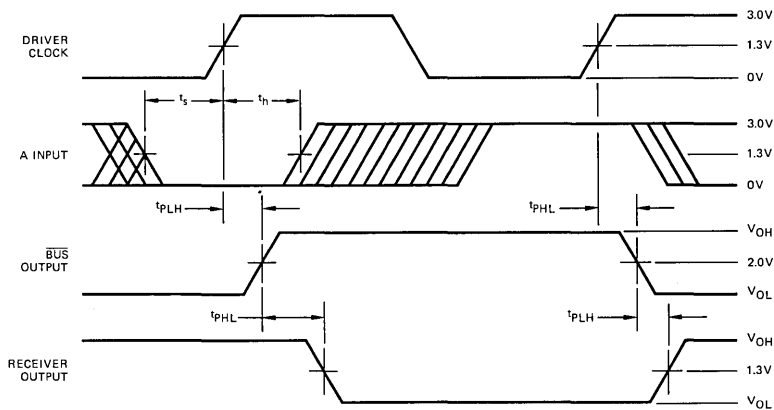
MPR-170

SWITCHING TEST CIRCUIT



MPR-171

SWITCHING WAVEFORMS



Note: Bus to Receiver output delay is measured by clocking data into the driver register and measuring the BUS to R combinatorial delay.

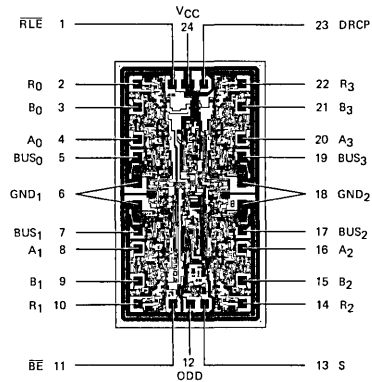
MPR-172

FUNCTION TABLE

| INPUTS | | | | | | | INTERNAL TO DEVICE | | BUS | | OUTPUT | | FUNCTION |
|--------|----------------|----------------|------|----|-----|----|--------------------|----------------|------------------|----------------|--|--|----------|
| S | A _i | B _i | DRCP | BE | RLE | OE | D _i | O _i | BUS _i | R _i | | | |
| X | X | X | X | H | X | X | X | X | Z | X | Driver output disable | | |
| X | X | X | X | X | X | H | X | X | X | Z | Receiver output disable | | |
| X | X | X | X | H | L | L | X | L | L | H | Driver output disable and receive data via Bus input | | |
| X | X | X | X | H | L | L | X | H | H | L | Latch received data | | |
| X | X | X | X | X | H | X | X | NC | X | X | Latch received data | | |
| L | L | X | ↑ | X | X | X | L | X | X | X | Load driver register | | |
| L | H | X | ↑ | X | X | X | H | X | X | X | Load driver register | | |
| H | X | L | ↑ | X | X | X | L | X | X | X | Load driver register | | |
| H | X | H | ↑ | X | X | X | H | X | X | X | Load driver register | | |
| X | X | X | L | X | X | X | NC | X | X | X | No driver clock restrictions | | |
| X | X | X | H | X | X | X | NC | X | X | X | No driver clock restrictions | | |
| X | X | X | X | L | X | X | L | X | H | X | Drive Bus | | |
| X | X | X | X | L | X | X | H | X | L | X | Drive Bus | | |

H = HIGH Z = HIGH Impedance X = Don't care i = 0, 1, 2, 3
 L = LOW NC = No change ↑ = LOW to HIGH transition

Metallization and Pad Layout



DIE SIZE .074" X .130"

DEFINITION OF FUNCTIONAL TERMS

- A₀, A₁, A₂, A₃** The "A" word data input into the two input multiplexer of the driver register.
- B₀, B₁, B₂, B₃** The "B" word data input into the two input multiplexers of the driver register.
- S** Select. When the select input is LOW, the A data word is applied to the driver register. When the select input is HIGH, the B word is applied to the driver register.
- DRCP** Driver Clock Pulse. Clock pulse for the driver register.
- BE** Bus Enable. When the Bus Enable is HIGH, the four drivers are in the high impedance state.

- BUS₀, BUS₁, BUS₂, BUS₃** The four driver outputs and receiver inputs (data is inverted).
- R₀, R₁, R₂, R₃** The four receiver outputs. Data from the bus is inverted while data from the A or B inputs is non-inverted.
- RLE** Receiver Latch Enable. When RLE is LOW, data on the BUS inputs is passed through the receiver latches. When RLE is HIGH, the receiver latches are closed and will retain the data independent of all other inputs.
- OE** Output Enable. When the OE input is HIGH, the four three state receiver outputs are in the high-impedance state.

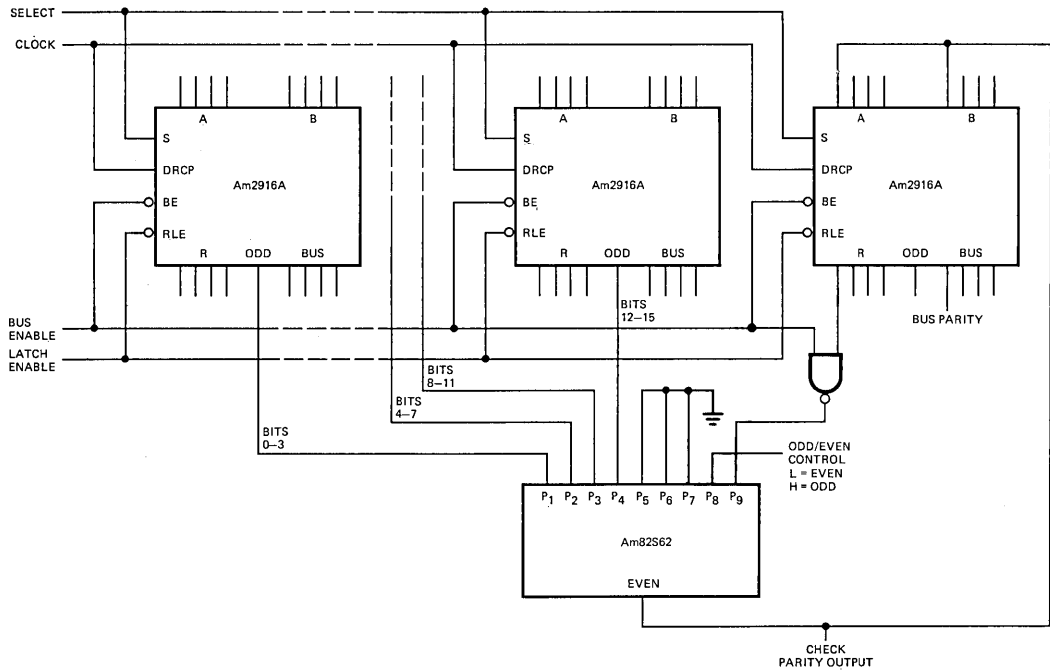
ORDERING INFORMATION

Order the part number according to the table below to obtain the desired package, temperature range, and screening level.

| Order Number | Package Type (Note 1) | Temperature Range (Note 2) | Screening Level (Note 3) |
|--------------|-----------------------|----------------------------|--|
| AM2916APC | P-24 | C | C-1 |
| AM2916ADC | D-24 | C | C-1 |
| AM2916ADC-B | D-24 | C | B-1 |
| AM2916ADM | D-24 | M | C-3 |
| AM2916ADM-B | D-24 | M | B-3 |
| AM2916AFM | F-24 | M | C-3 |
| AM2916AFM-B | F-24 | M | B-3 |
| AM2916AXC | Dice | C | Visual inspection to MIL-STD-883 Method 2010B. |
| AM2916AXM | Dice | M | |

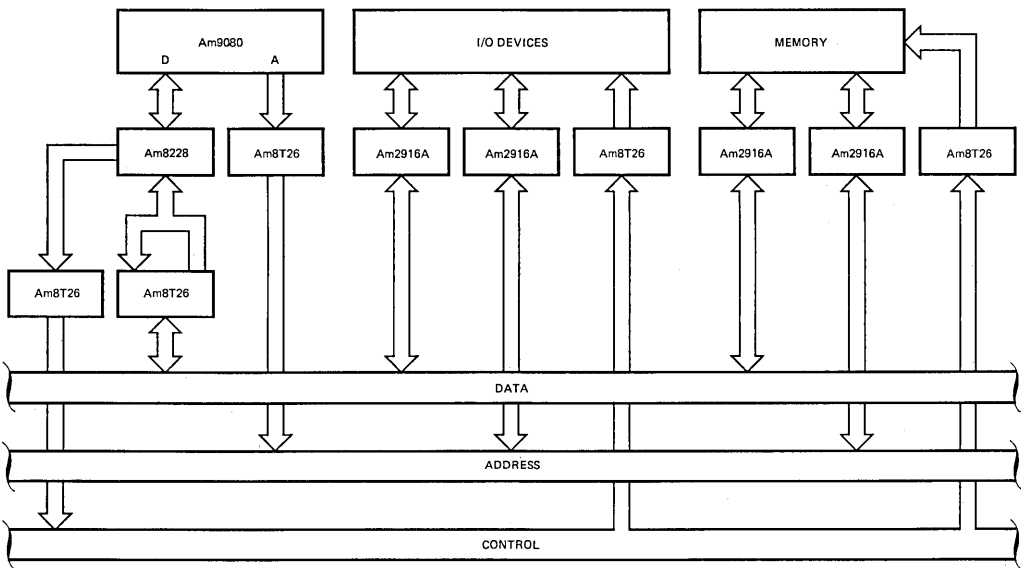
Notes: 1. P = Molded DIP, D = Hermetic DIP, F = Flat Pak. Number following letter is number of leads. See Appendix B for detailed outline. Where Appendix B contains several dash numbers, any of the variations of the package may be used unless otherwise specified.
 2. C = 0°C to +70°C, M = -55°C to +125°C.
 3. See Appendix A for details of screening. Levels C-1 and C-3 conform to MIL-STD-883, Class C. Level B-3 conforms to MIL-STD-883, Class B.

APPLICATIONS



Generating or checking parity for 16 data bits.

MPR-173



Using the Am2916A and Am8T26 in a terminated Bus system for the Am9080 MOS Microprocessor.

MPR-174

Am2917A

Quad Three-State Bus Transceiver With Interface Logic

Distinctive Characteristics

- Quad high-speed LSI bus-transceiver
- Three-state bus driver
- D-type register on driver
- Bus driver output can sink 48mA at 0.5V max.
- Internal odd 4-bit parity checker/generator
- Receiver has output latch for pipeline operation
- Three-state receiver outputs sink 12mA
- Advanced low-power Schottky processing
- 100% reliability assurance testing in compliance with MIL-STD-883
- 3.5V minimum output high voltage for direct interface to MOS microprocessors

FUNCTIONAL DESCRIPTION

The Am2917A is a high-performance, low-power Schottky bus transceiver intended for bipolar or MOS microprocessor system applications. The device consists of four D-type edge-triggered flip-flops. The flip-flop outputs are connected to four three-state bus drivers. Each bus driver is internally connected to the input of a receiver. The four receiver outputs drive four D-type latches, that feature three-state outputs. The device also contains a four-bit odd parity checker/generator.

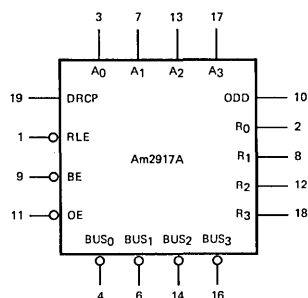
The LSI bus transceiver is fabricated using advanced low-power Schottky processing. All inputs (except the BUS inputs) are one LS unit load. The three-state bus output can sink up to 48mA at 0.5V maximum. The bus enable input (\overline{BE}) is used to force the driver outputs to the high-impedance state. When \overline{BE} is HIGH, the driver is disabled.

The input register consists of four D-type flip-flops with a buffered common clock. The buffered common clock (DRCP) enters the A_i data into this driver register on the LOW-to-HIGH transition.

Data from the A input is inverted at the BUS output. Likewise, data at the BUS input is inverted at the receiver output. Thus, data is non-inverted from driver input to receiver output. The four receivers each feature a built-in D-type latch that is controlled from the buffered receiver latch enable (\overline{RLE}) input. When the \overline{RLE} input is LOW, the latch is open and the receiver outputs will follow the bus inputs (BUS data inverted and \overline{OE} LOW). When the \overline{RLE} input is HIGH, the latch will close and retain the present data regardless of the bus input. The four latches have three-state outputs and are controlled by a buffered common three-state control (\overline{OE}) input. When \overline{OE} is HIGH, the receiver outputs are in the high-impedance state.

The Am2917A features a built-in four-bit odd parity checker/generator. The bus enable input (\overline{BE}) controls whether the parity output is in the generate or check mode. When the bus enable is LOW (driver enabled), odd parity is generated based on the A field data input to the driver register. When \overline{BE} is HIGH, the parity output is determined by the four latch outputs of the receiver. Thus, if the driver is enabled, parity is generated and if the driver is in the high-impedance state, the BUS parity is checked.

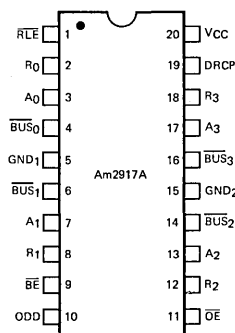
LOGIC SYMBOL



V_{CC} = Pin 20
 GND_1 = Pin 5
 GND_2 = Pin 15

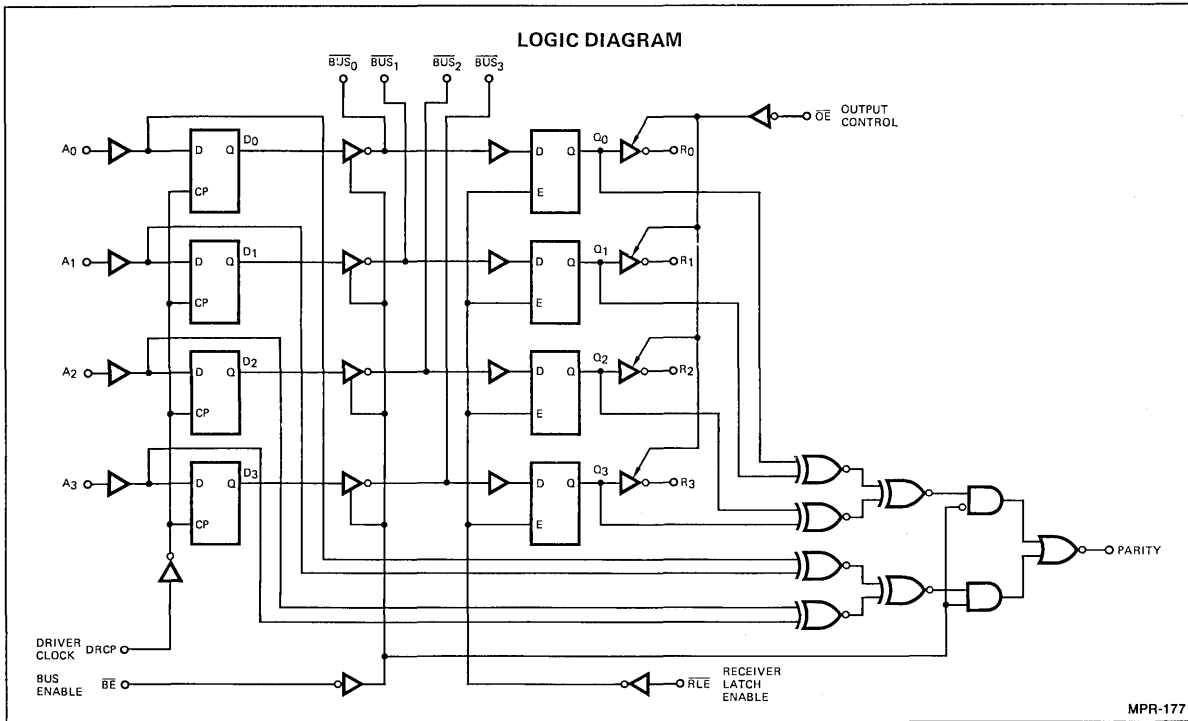
MPR-175

CONNECTION DIAGRAM Top View



Note: Pin 1 is marked for orientation.

MPR-176



MAXIMUM RATINGS (Above which the useful life may be impaired)

| | |
|---|---------------------------------|
| Storage Temperature | -65°C to +150°C |
| Temperature (Ambient) Under Bias | -55°C to +125°C |
| Supply Voltage to Ground Potential | -0.5 V to +7 V |
| DC Voltage Applied to Outputs for HIGH Output State | -0.5 V to +V _{CC} max. |
| DC Input Voltage | -0.5 V to +5.5 V |
| DC Output Current, Into Outputs (Except BUS) | 30 mA |
| DC Output Current, Into Bus | 100 mA |
| DC Input Current | -30 mA to +5.0 mA |

ELECTRICAL CHARACTERISTICS

The following conditions apply unless otherwise noted:

Am2917AXC (COM'L) T_A = 0°C to +70°C V_{CC} MIN. = 4.75 V V_{CC} MAX. = 5.25 V
 Am2917AXM (MIL) T_A = -55°C to +125°C V_{CC} MIN. = 4.50 V V_{CC} MAX. = 5.50 V

BUS INPUT/OUTPUT CHARACTERISTICS OVER OPERATING TEMPERATURE RANGE

| Parameters | Description | Test Conditions (Note 1) | Min. | Typ. | Max. | Units |
|------------------|--------------------------------------|---|---------------------------------|------|------|-------|
| V _{OL} | Bus Output LOW Voltage | V _{CC} = MIN. | I _{OL} = 24 mA | | 0.4 | Volts |
| | | | I _{OL} = 48 mA | | 0.5 | |
| V _{OH} | Bus Output HIGH Voltage | V _{CC} = MIN. | COM'L, I _{OH} = -20 mA | 2.4 | | Volts |
| | | | MIL, I _{OH} = -15 mA | | | |
| I _O | Bus Leakage Current (High Impedance) | V _{CC} = MAX. Bus enable = 2.4 V | V _O = 0.4 V | | -200 | μA |
| | | | V _O = 2.4 V | | 50 | |
| | | | V _O = 4.5 V | | 100 | |
| I _{OFF} | Bus Leakage Current (Power OFF) | V _O = 4.5 V V _{CC} = 0 V | | | 100 | μA |
| V _{IH} | Receiver Input HIGH Threshold | Bus enable = 2.4 V | 2.0 | | | Volts |
| V _{IL} | Receiver Input LOW Threshold | Bus enable = 2.4 V | COM'L | | 0.8 | Volts |
| | | | MIL | | 0.7 | |
| I _{SC} | Bus Output Short Circuit Current | V _{CC} = MAX. V _O = 0 V | -50 | -120 | -225 | mA |

Am2917A

ELECTRICAL CHARACTERISTICS

The following conditions apply unless otherwise noted:

Am2917AXC (COM'L) $T_A = 0^\circ\text{C}$ to $+70^\circ\text{C}$ $V_{CC\text{MIN.}} = 4.75\text{V}$ $V_{CC\text{MAX.}} = 5.25\text{V}$
 Am2917AXM (MIL) $T_A = -55^\circ\text{C}$ to $+125^\circ\text{C}$ $V_{CC\text{MIN.}} = 4.50\text{V}$ $V_{CC\text{MAX.}} = 5.50\text{V}$

DC CHARACTERISTICS OVER OPERATING TEMPERATURE RANGE

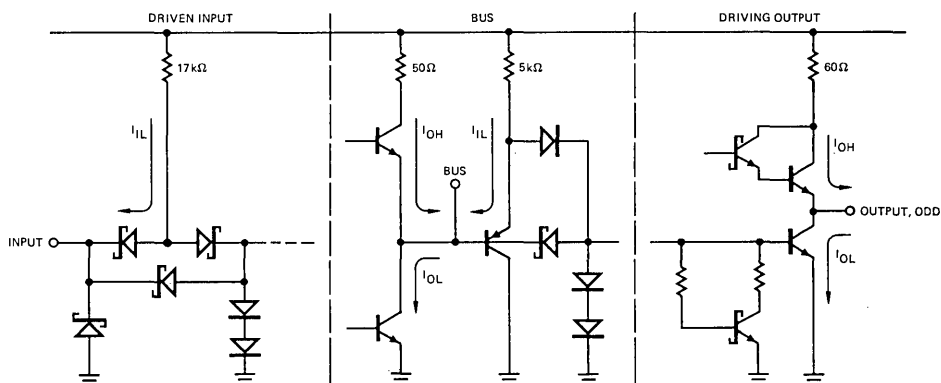
| Parameters | Description | Test Conditions (Note 1) | | Min. | Typ. (Note 2) | Max. | Units |
|------------|---|---|-----------------------------------|------|------------------|-------|---------------|
| V_{OH} | Receiver Output HIGH Voltage | $V_{CC} = \text{MIN.}$ | MIL: $I_{OH} = -1.0\text{mA}$ | 2.4 | 3.4 | | Volts |
| | | $V_{IN} = V_{IL}$ or V_{IH} | COM'L: $I_{OH} = -2.6\text{mA}$ | 2.4 | 3.4 | | |
| | | $V_{CC} = 5.0\text{V}$, $I_{OH} = -100\mu\text{A}$ | | 3.5 | | | |
| V_{OH} | Parity Output HIGH Voltage | $V_{CC} = \text{MIN.}$, $I_{OH} = -660\mu\text{A}$ | MIL | 2.5 | 3.4 | | Volts |
| | | $V_{IN} = V_{IH}$ or V_{IL} | COM'L | 2.7 | 3.4 | | |
| V_{OL} | Output LOW Voltage (Except Bus) | $V_{CC} = \text{MIN.}$ $V_{IN} = V_{IL}$ or V_{IH} | $I_{OL} = 4.0\text{mA}$ | | 0.27 | 0.4 | Volts |
| | | | $I_{OL} = 8.0\text{mA}$ | | 0.32 | 0.45 | |
| | | | $I_{OL} = 12\text{mA}$ | | 0.37 | 0.5 | |
| V_{IH} | Input HIGH Level (Except Bus) | Guaranteed input logical HIGH for all inputs | | 2.0 | | | Volts |
| V_{IL} | Input LOW Level (Except Bus) | Guaranteed input logical LOW for all inputs | MIL | | | 0.7 | Volts |
| | | | COM'L | | | 0.8 | |
| V_I | Input Clamp Voltage (Except Bus) | $V_{CC} = \text{MIN.}$, $I_{IN} = -18\text{mA}$ | | | | -1.2 | Volts |
| I_{IL} | Input LOW Current (Except Bus) | $V_{CC} = \text{MAX.}$, $V_{IN} = 0.4\text{V}$ | \overline{BE} , \overline{RE} | | | -0.72 | mA |
| | | | All other inputs | | | -0.36 | |
| I_{IH} | Input HIGH Current (Except Bus) | $V_{CC} = \text{MAX.}$, $V_{IN} = 2.7\text{V}$ | | | | 20 | μA |
| I_I | Input HIGH Current (Except Bus) | $V_{CC} = \text{MAX.}$, $V_{IN} = 7.0\text{V}$ | | | | 100 | μA |
| I_{SC} | Output Short Circuit Current (Except Bus) | $V_{CC} = \text{MAX.}$ | RECEIVER | -30 | | -130 | mA |
| | | | PARITY | -20 | | -100 | |
| I_{CC} | Power Supply Current | $V_{CC} = \text{MAX.}$ | | | 63 | 95 | mA |
| I_O | Off-State Output Current (Receiver Outputs) | $V_{CC} = \text{MAX.}$ | $V_O = 2.4\text{V}$ | | | 50 | μA |
| | | | $V_O = 0.4\text{V}$ | | | -50 | |

SWITCHING CHARACTERISTICS OVER OPERATING TEMPERATURE RANGE

| Parameters | Description | Test Conditions | Am2917AXM Typ. (Note 2) | | | Am2917AXC Typ. (Note 2) | | | Units |
|---------------------|---|--|-------------------------------|------|------|-------------------------------|------|------|-------|
| | | | Min. | Max. | Typ. | Min. | Max. | Typ. | |
| t_{PHL} | Driver Clock (DRCP) to Bus | $C_L(\text{BUS}) = 50\text{pF}$ $R_L(\text{BUS}) = 130\Omega$ | 21 | 36 | | 21 | 32 | ns | |
| t_{PLH} | | | 21 | 36 | | 21 | 32 | | |
| t_{ZH} , t_{ZL} | Bus Enable (\overline{BE}) to Bus | | 13 | 26 | | 13 | 23 | ns | |
| t_{HZ} , t_{LZ} | | | 13 | 21 | | 13 | 18 | | |
| t_s | A Data Inputs | | 15 | | | 12 | | ns | |
| t_h | | | 8.0 | | | 6.0 | | | |
| t_{PW} | Clock Pulse Width (HIGH) | | 20 | | | 17 | | ns | |
| t_{PLH} | Bus to Receiver Output (Latch Enabled) | | 18 | 33 | | 18 | 30 | ns | |
| t_{PHL} | | | 18 | 30 | | 18 | 27 | | |
| t_{PLH} | Latch Enable to Receiver Output | | 21 | 33 | | 21 | 30 | ns | |
| t_{PHL} | | | 21 | 30 | | 21 | 27 | | |
| t_s | Bus to Latch Enable (\overline{RE}) | $C_L = 15\text{pF}$ $R_L = 2.0\text{k}\Omega$ | 15 | | | 13 | | ns | |
| t_h | | | 6.0 | | | 4.0 | | | |
| t_{PLH} | A Data to Odd Parity Out (Driver Enabled) | | 32 | 46 | | 32 | 42 | ns | |
| t_{PHL} | | | 26 | 40 | | 26 | 36 | | |
| t_{PLH} | Bus to Odd Parity Out (Driver Inhibit) | | 21 | 36 | | 21 | 32 | ns | |
| t_{PHL} | | | 21 | 36 | | 21 | 32 | | |
| t_{PLH} | Latch Enable (\overline{RE}) to Odd Parity Output | | 21 | 36 | | 21 | 32 | ns | |
| t_{PHL} | | | 21 | 36 | | 21 | 32 | | |
| t_{ZH} , t_{ZL} | Output Control to Output | $C_L = 5\text{pF}$, $R_L = 2.0\text{k}\Omega$ | 14 | 26 | | 14 | 23 | ns | |
| t_{HZ} , t_{LZ} | | | 14 | 26 | | 14 | 23 | | |

- Notes: 1. For conditions shown as MIN. or MAX., use the appropriate value specified under Electrical Characteristics for the applicable device type.
 2. Typical limits are at $V_{CC} = 5.0\text{V}$, 25°C ambient and maximum loading.
 3. Not more than one output should be shorted at a time. Duration of the short circuit test should not exceed one second.

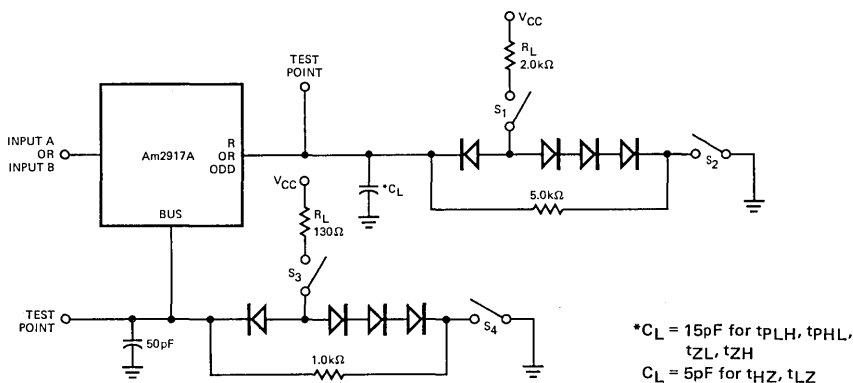
INPUT/OUTPUT CURRENT INTERFACE CONDITIONS



Note: Actual current flow direction shown.

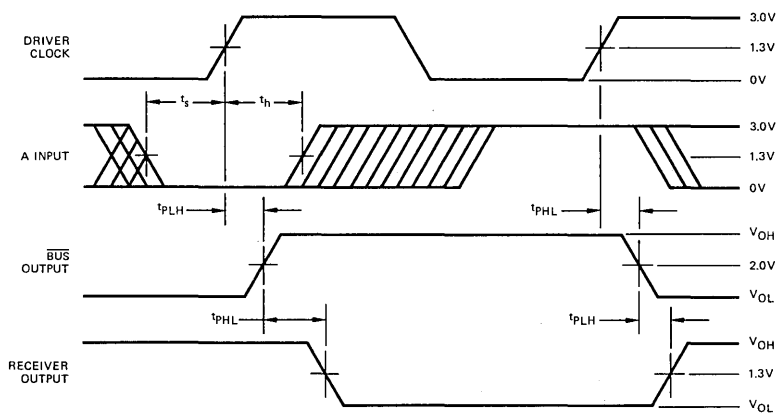
MPR-178

SWITCHING TEST CIRCUIT



MPR-179

SWITCHING WAVEFORMS



Note: Bus to Receiver output delay is measured by clocking data into the driver register and measuring the BUS to R combinatorial delay.

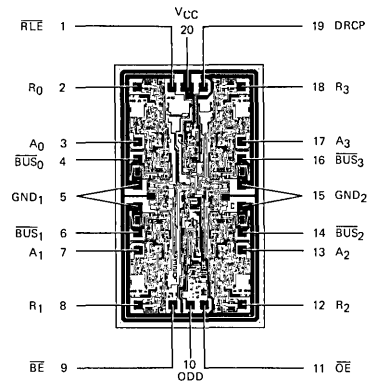
MPR-180

FUNCTION TABLE

| INPUTS | | | | INTERNAL TO DEVICE | | BUS | OUTPUT | FUNCTION | |
|----------------|------|-----------------|------------------|--------------------|----------------|----------------|------------------|----------|--|
| A _i | DRCP | \overline{BE} | \overline{RLE} | \overline{OE} | D _i | Q _i | BUS _i | | R _i |
| X | X | H | X | X | X | X | Z | X | Driver output disable |
| X | X | X | X | H | X | X | X | Z | Receiver output disable |
| X | X | H | L | L | X | L | L | H | Driver output disable and receive data via Bus input |
| X | X | H | L | L | X | H | H | L | Driver output disable and receive data via Bus input |
| X | X | X | H | X | X | NC | X | X | Latch received data |
| L | ↑ | X | X | X | L | X | X | X | Load driver register |
| H | ↑ | X | X | X | H | X | X | X | Load driver register |
| X | L | X | X | X | NC | X | X | X | No driver clock restrictions |
| X | H | X | X | X | NC | X | X | X | No driver clock restrictions |
| X | X | L | X | X | L | X | X | X | Drive Bus |
| X | X | L | X | X | H | X | L | X | Drive Bus |

H = HIGH Z = HIGH Impedance X = Don't care i = 0, 1, 2, 3
 L = LOW NC = No change ↑ = LOW to HIGH transition

Metallization and Pad Layout



DIE SIZE .074" X .130"

ORDERING INFORMATION

Order the part number according to the table below to obtain the desired package, temperature range, and screening level.

| Order Number | Package Type (Note 1) | Temperature Range (Note 2) | Screening Level (Note 3) |
|--------------|-----------------------|----------------------------|--|
| AM2917APC | P-20 | C | C-1 |
| AM2917ADC | D-20 | C | C-1 |
| AM2917ADC-B | D-20 | C | B-1 |
| AM2917ADM | D-20 | M | C-3 |
| AM2917ADM-B | D-20 | M | B-3 |
| AM2917AFM | F-20 | M | C-3 |
| AM2917AFM-B | F-20 | M | B-3 |
| AM2917AXC | Dice | C | Visual inspection to MIL-STD-883 Method 2010B. |
| AM2917AXM | Dice | M | |

Notes:

1. P = Molded DIP, D = Hermetic DIP, F = Flat Pak. Number following letter is number of leads. See Appendix B for detailed outline. Where Appendix B contains several dash numbers, any of the variations of the package may be used unless otherwise specified.
2. C = 0°C to +70°C, M = -55°C to +125°C.
3. See Appendix A for details of screening. Levels C-1 and C-3 conform to MIL-STD-883, Class C. Level B-3 conforms to MIL-STD-883, Class B.

DEFINITION OF FUNCTIONAL TERMS

DRCP Driver Clock Pulse. Clock pulse for the driver register.

\overline{BE} Bus Enable. When the Bus Enable is LOW, the four drivers are in the high impedance state.

BUS₀, BUS₁, BUS₂, BUS₃ The four driver outputs and receiver inputs (data is inverted).

R₀, R₁, R₂, R₃ The four receiver outputs. Data from the bus is inverted while data from the A or B inputs is non-inverted.

\overline{RLE} Receiver Latch Enable. When \overline{RLE} is LOW, data on the BUS inputs is passed through the receiver latches. When \overline{RLE} is HIGH, the receiver latches are closed and will retain the data independent of all other inputs.

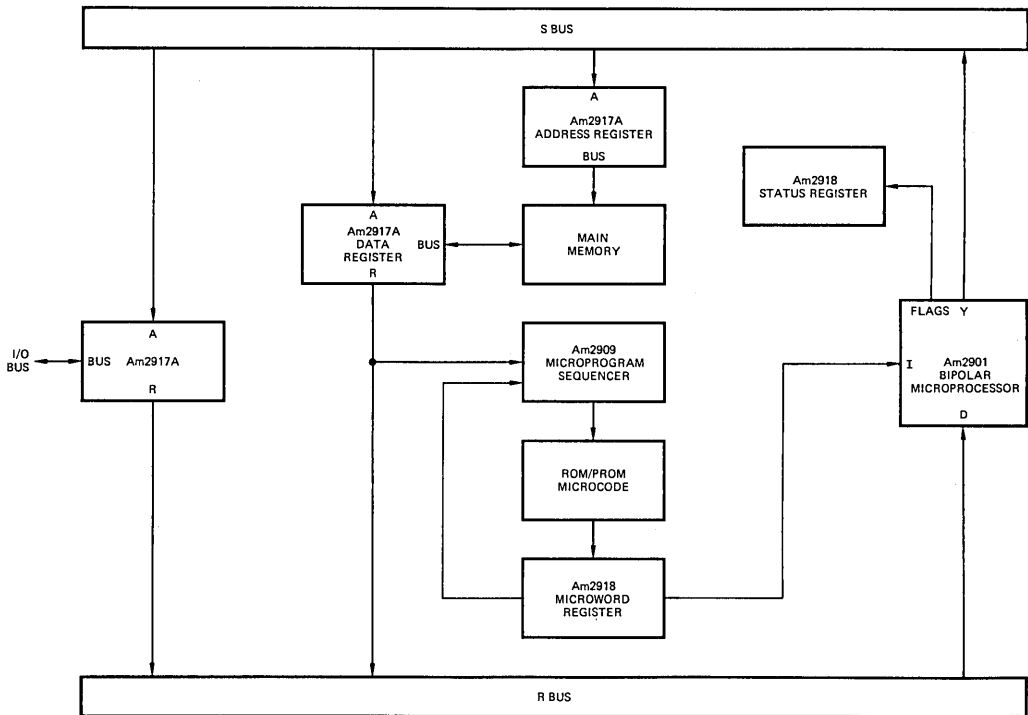
ODD Odd parity output. Generates parity with the driver enabled, checks parity with the driver in the high-impedance state.

\overline{OE} Output Enable. When the \overline{OE} input is HIGH, the four three-state receiver outputs are in the high-impedance state.

PARITY OUTPUT FUNCTION TABLE

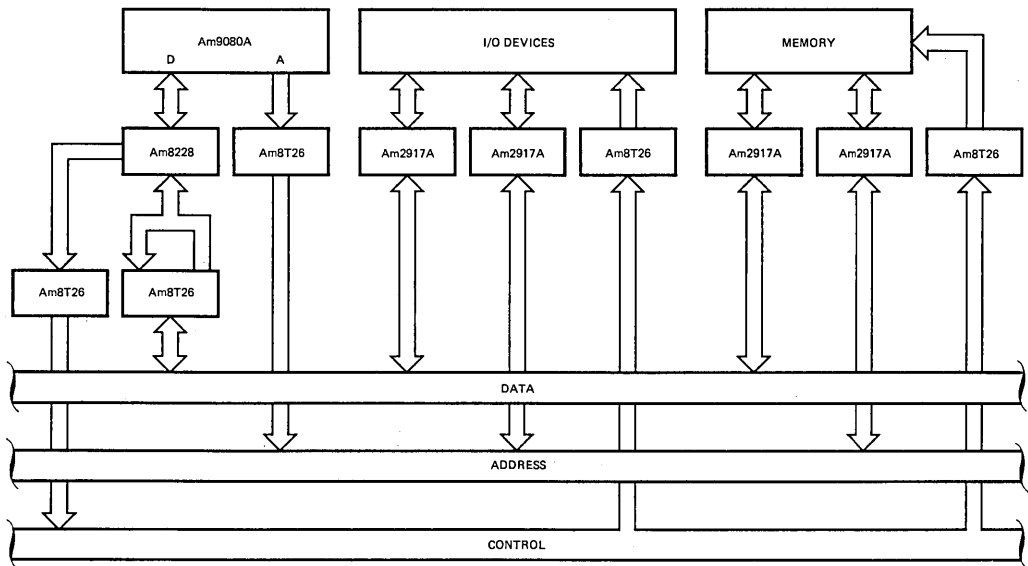
| \overline{BE} | ODD PARITY OUTPUT |
|-----------------|---|
| L | ODD = A ₀ ⊕ A ₁ ⊕ A ₂ ⊕ A ₃ |
| H | ODD = Q ₀ ⊕ Q ₁ ⊕ Q ₂ ⊕ Q ₃ |

APPLICATIONS



The Am2917A can be used as an I/O Bus Transceiver and Main Memory I/O Transceiver in high-speed Microprocessor Systems.

MPR-181



Using the Am2917A and Am8T26 in a terminated Bus system for the Am9080 MOS Microprocessor.

MPR-182

Am2918

Quad D Register With Standard And Three-State Outputs

Distinctive Characteristics

- Advanced Schottky technology
- Four D-type flip-flops
- Four standard totem-pole outputs

- Four three-state outputs
- 75 MHz clock frequency
- 100% reliability assurance testing in compliance with MIL-STD-883

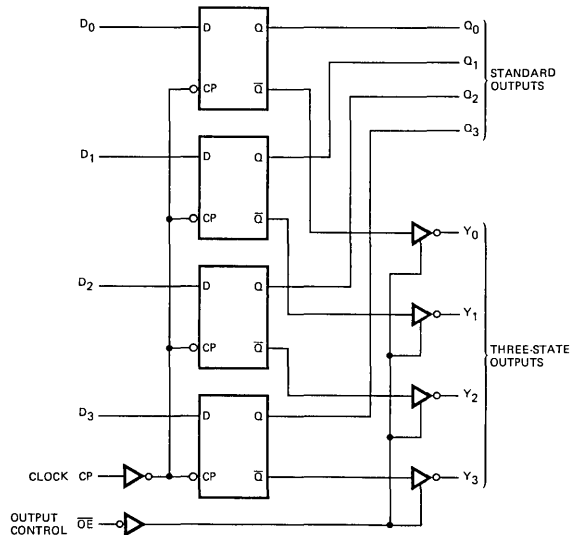
FUNCTIONAL DESCRIPTION

New Schottky circuits such as the Am2918 register provide the design engineer with additional flexibility in system configuration — especially with regard to bus structure, organization and speed. The Am2918 is a quadruple D-type register with four standard totem pole outputs and four three-state bus-type outputs. The 16-pin device also features a buffered common clock (CP) and a buffered common output control (\overline{OE}) for the Y outputs. Information meeting the set-up and hold requirements on the D inputs is transferred to the Q outputs on the LOW-to-HIGH transition of the clock.

The same data as on the Q outputs is enabled at the three-state Y outputs when the "output control" (\overline{OE}) input is LOW. When the \overline{OE} input is HIGH, the Y outputs are in the high-impedance state.

The Am2918 register can be used in bipolar microprocessor designs as an address register, status register, instruction register or for various data or microword register applications. Because of the unique design of the three-state output, the device features very short propagation delay from the clock to the Q or Y outputs. Thus, system performance and architectural design can be improved by using the Am2918 register. Other applications of Am2918 register can be found in microprogrammed display systems, communication systems and most general or special purpose digital signal processing equipment.

LOGIC DIAGRAM



MPR-183

ORDERING INFORMATION

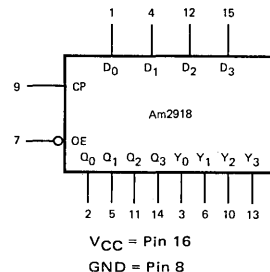
Order the part number according to the table below to obtain the desired package, temperature range, and screening level.

| Order Number | Package Type (Note 1) | Temperature Range (Note 2) | Screening Level (Note 3) |
|--------------|-----------------------|----------------------------|--|
| AM2918PC | P-16 | C | C-1 |
| AM2918DC | D-16 | C | C-1 |
| AM2918DC-B | D-16 | C | B-1 |
| AM2918DM | D-16 | M | C-3 |
| AM2918DM-B | D-16 | M | B-3 |
| AM2918FM | F-16 | M | C-3 |
| AM2918FM-B | F-16 | M | B-3 |
| AM2918XC | Dice | C | Visual inspection to MIL-STD-883 Method 2010B. |
| AM2918XM | Dice | M | |

Notes:

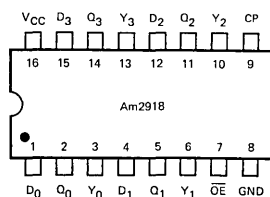
1. P = Molded DIP, D = Hermetic DIP, F = Flat Pak. Number following letter is number of leads. See Appendix B for detailed outline. Where Appendix B contains several dash numbers, any of the variations of the package may be used unless otherwise specified.
2. C = 0°C to +70°C, M = -55°C to +125°C.
3. See Appendix A for details of screening. Levels C-1 and C-3 conform to MIL-STD-883, Class C. Level B-3 conforms to MIL-STD-883, Class B.

LOGIC SYMBOL



MPR-184

CONNECTION DIAGRAM Top View



Note: Pin 1 is marked for orientation.

MPR-185

MAXIMUM RATINGS (Above which the useful life may be impaired)

| | |
|---|--------------------------------|
| Storage Temperature | -65°C to +150°C |
| Temperature (Ambient) Under Bias | -55°C to +125°C |
| Supply Voltage to Ground Potential (Pin 16 to Pin 8) Continuous | -0.5V to +7V |
| DC Voltage Applied to Outputs for HIGH Output State | -0.5V to +V _{CC} max. |
| DC Input Voltage | -0.5V to +5.5V |
| DC Output Current, Into Outputs | 30mA |
| DC Input Current | -30mA to +5.0mA |

ELECTRICAL CHARACTERISTICS OVER OPERATING TEMPERATURE RANGE (Unless Otherwise Noted)

| | | | | |
|----------|----------------------------------|-------------------------------------|--------------|--------------|
| Am2918XC | T _A = 0°C to +70°C | V _{CC} = 5.0V ± 5% (COM'L) | MIN. = 4.75V | MAX. = 5.25V |
| Am2918XM | T _A = -55°C to +125°C | V _{CC} = 5.0V ± 10% (MIL) | MIN. = 4.5V | MAX. = 5.5V |

| Parameters | Description | Test Conditions (Note 1) | Min. | Typ. (Note 2) | Max. | Units | |
|-----------------------------|---------------------------------------|--|--------------------------|------------------------------|------|-------|-------|
| V _{OH} | Output HIGH Voltage | V _{CC} = MIN., V _{IN} = V _{IH} or V _{IL} | Q I _{OH} = -1mA | MIL | 2.5 | 3.4 | Volts |
| | | | | COM'L | 2.7 | 3.4 | |
| | | | Y | XM, I _{OH} = -2mA | 2.4 | 3.4 | |
| | | | | XC, I _{OH} = -6.5mA | 2.4 | 3.4 | |
| V _{OL} | Output LOW Voltage (Note 6) | V _{CC} = MIN., I _{OL} = 20mA V _{IN} = V _{IH} or V _{IL} | | | 0.5 | Volts | |
| V _{IH} | Input HIGH Level | Guaranteed input logical HIGH voltage for all inputs | 2.0 | | | Volts | |
| V _{IL} | Input LOW Level | Guaranteed input logical LOW voltage for all inputs | | | 0.8 | Volts | |
| V _I | Input Clamp Voltage | V _{CC} = MIN., I _{IN} = -18mA | | | -1.2 | Volts | |
| I _{IL} (Note 3) | Input LOW Current | V _{CC} = MAX., V _{IN} = 0.5V | | | -2.0 | mA | |
| I _{IH} (Note 3) | Input HIGH Current | V _{CC} = MAX., V _{IN} = 2.7V | | | 50 | μA | |
| I _I | Input HIGH Current | V _{CC} = MAX., V _{IN} = 5.5V | | | 1.0 | mA | |
| I _O | Y Output Off-State Leakage Current | V _{CC} = MAX. | V _O = 2.4V | | 50 | μA | |
| | | | V _O = 0.4V | | -50 | | |
| I _{SC} | Output Short Circuit Current (Note 4) | V _{CC} = MAX. | -40 | | -100 | mA | |
| I _{CC} | Power Supply Current | V _{CC} = MAX. (Note 5) | | 80 | 130 | mA | |

- Notes: 1. For conditions shown as MIN. or MAX., use the appropriate value specified under Electrical Characteristics for the applicable device type.
 2. Typical limits are at V_{CC} = 5.0V, T_A = 25°C ambient and maximum loading.
 3. Actual input currents = Unit Load Current x Input Load Factor (see Loading Rules).
 4. Not more than one output should be shorted at a time. Duration of the short circuit test should not exceed one second.
 5. I_{CC} is measured with all inputs at 4.5V and all outputs open.
 6. Measured on Q outputs with Y outputs open. Measured on Y outputs with Q outputs open.

Switching Characteristics (T_A = +25°C, V_{CC} = 5.0V, R_L = 280Ω)

| Parameters | Description | Test Conditions | Min. | Typ. | Max. | Units | |
|------------------|----------------------------|-----------------------|------------------------|------|------|-------|----|
| t _{PLH} | Clock to Q Output | C _L = 15pF | | 6.0 | 9.0 | ns | |
| t _{PHL} | | | | 8.5 | 13 | | |
| t _{pw} | Clock Pulse Width | | HIGH | 7.0 | | ns | |
| | | | LOW | 9.0 | | | |
| t _s | Data | | | 5.0 | | ns | |
| t _h | Data | | | 3.0 | | ns | |
| t _{PLH} | Clock to Y Output (OE LOW) | | | | 6.0 | 9.0 | ns |
| t _{PHL} | | | | | 8.5 | 13 | |
| t _{ZH} | Output Control to Output | | | | 12.5 | 19 | ns |
| t _{ZL} | | | | | 12 | 18 | |
| t _{HZ} | | | C _L = 5.0pF | | 4.0 | 6.0 | |
| t _{LZ} | | | | | 7.0 | 10.5 | |
| f _{max} | Maximum Clock Frequency | C _L = 15pF | 75 | 100 | | MHz | |

TRUTH TABLE

| INPUTS | | | OUTPUTS | | NOTES |
|-----------------|----------|---|---------|---|-------|
| \overline{OE} | CLOCK CP | D | Q | Y | |
| H | L | X | NC | Z | — |
| H | H | X | NC | Z | — |
| H | ↑ | L | L | Z | — |
| H | ↑ | H | H | Z | — |
| L | ↑ | L | L | L | — |
| L | ↑ | H | H | H | — |
| L | — | — | L | L | 1 |
| L | — | — | H | H | 1 |

L = LOW
 H = HIGH
 X = Don't care
 NC = No change
 ↑ = LOW to HIGH transition
 Z = High impedance

Note: 1. When \overline{OE} is LOW, the Y output will be in the same logic state as the Q output.

LOADING RULES (In Unit Loads)

| Input/Output | Pin No.'s | Input Unit Load | Fan-out | |
|-----------------|-----------|-----------------|-------------|------------|
| | | | Output HIGH | Output LOW |
| D ₀ | 1 | 1 | — | — |
| Q ₀ | 2 | — | 20 | 10* |
| Y ₀ | 3 | — | 40/130 | 10* |
| D ₁ | 4 | 1 | — | — |
| Q ₁ | 5 | — | 20 | 10* |
| Y ₁ | 6 | — | 40/130 | 10* |
| \overline{OE} | 7 | 1 | — | — |
| GND | 8 | — | — | — |
| CP | 9 | 1 | — | — |
| Y ₂ | 10 | — | 40/130 | 10* |
| Q ₂ | 11 | — | 20 | 10* |
| D ₂ | 12 | 1 | — | — |
| Y ₃ | 13 | — | 40/130 | 10* |
| Q ₃ | 14 | — | 20 | 10* |
| D ₃ | 15 | 1 | — | — |
| V _{CC} | 16 | — | — | — |

A Schottky TTL Unit Load is defined as 50μA measured at 2.7V HIGH and -2.0mA measured at 0.5V LOW.

*Fan-out on each Q_i and Y_i output pair should not exceed 15 unit loads (30mA) for i = 0, 1, 2, 3.

DEFINITION OF FUNCTIONAL TERMS

D_i The four data inputs to the register.

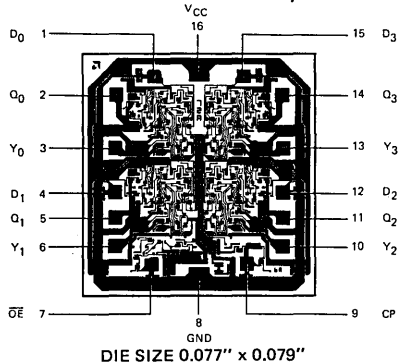
Q_i The four data outputs of the register with standard totem-pole active pull-up outputs. Data is passed non-inverted.

Y_i The four three-state data outputs of the register. When the three-state outputs are enabled, data is passed non-inverted. A HIGH on the "output control" input forces the Y_i outputs to the high-impedance state.

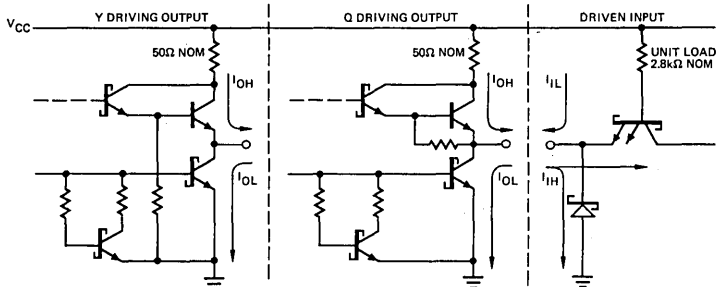
CP Clock. The buffered common clock for the register. Enters data on the LOW-to-HIGH transition.

\overline{OE} Output Control. When the \overline{OE} input is HIGH, the Y_i outputs are in the high-impedance state. When the \overline{OE} input is LOW, the TRUE register data is present at the Y_i outputs.

Metallization and Pad Layout

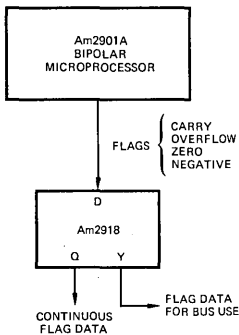


SCHOTTKY INPUT/OUTPUT CURRENT INTERFACE CONDITIONS

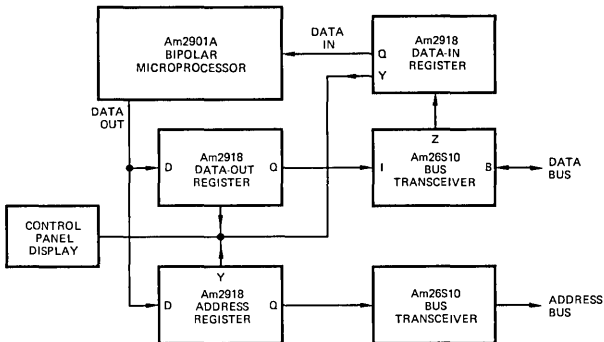


Note: Actual current flow direction shown.

APPLICATIONS

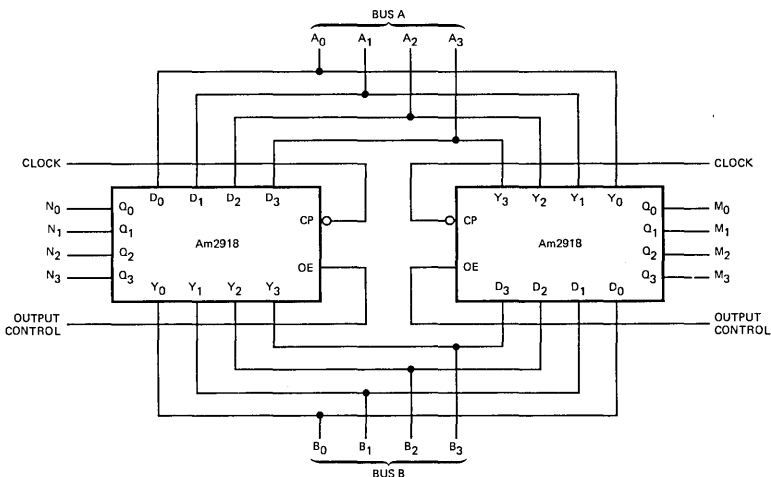


The Am2918 as a 4-bit status register



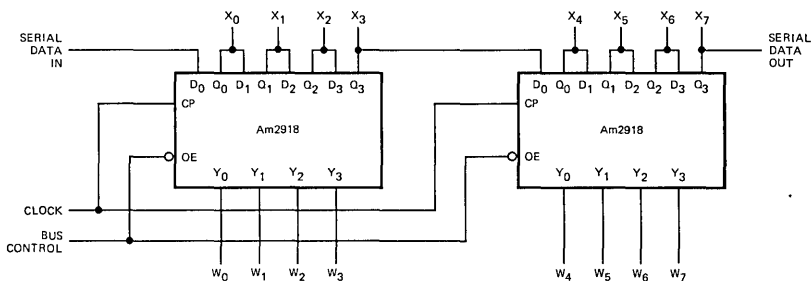
The Am2918 used as data-in, data-out and address registers.

MPR-187



The Am2918 can be connected for bi-directional interface between two buses. The device on the left stores data from the A-bus and drives the A-bus. The device on the right stores data from the B-bus and drives the A-bus. The output control is used to place either or both drivers in the high-impedance state. The contents of each register are available for continuous usage at the N and M ports of the device.

MPR-188



8-Bit serial to parallel converter with three-state output (W) and direct access to the register word (X).

MPR-189

Am29LS18

Quad D Register With Standard And Three-State Outputs

DISTINCTIVE CHARACTERISTICS

- Low-power Schottky version of the popular Am2918
- Four standard totem-pole outputs
- Four three-state outputs
- Four D-type flip-flops
- 100% product assurance testing to MIL-STD-883 requirements

FUNCTIONAL DESCRIPTION

The Am29LS18 consists of four D-type flip-flops with a buffered common clock. Information meeting the set-up and hold requirements on the D inputs is transferred to the Q outputs on the LOW-to-HIGH transition of the clock.

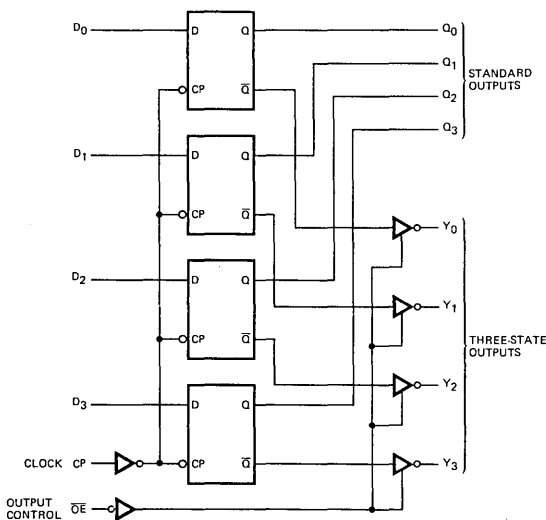
The same data as on the Q outputs is enabled at the three-state Y outputs when the "output control" (OE) input is LOW. When the OE input is HIGH, the Y outputs are in the high-impedance state.

The Am29LS18 is a 4-bit, high-speed register intended for use in real-time signal processing systems where the standard outputs are used in a recursive algorithm and the three-state outputs provide access to a data bus to dump the results after a number of iterations.

The device can also be used as an address register or status register in computers or computer peripherals.

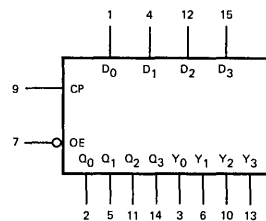
Likewise, the Am29LS18 is also useful in certain display applications where the standard outputs can be decoded to drive LED's (or equivalent) and the three-state outputs are bus organized for occasional interrogation of the data as displayed.

LOGIC DIAGRAM



MPR-190

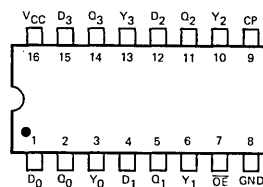
LOGIC SYMBOL



V_{CC} = Pin 16
GND = Pin 8

MPR-191

CONNECTION DIAGRAM Top View



Note: Pin 1 is marked for orientation.

MPR-192

ELECTRICAL CHARACTERISTICS

The Following Conditions Apply Unless Otherwise Specified:

COM'L $T_A = 0^\circ\text{C to } +70^\circ\text{C}$ $V_{CC} = 5.0\text{V} \pm 5\%$ (MIN. = 4.75 V MAX. = 5.25 V)MIL $T_A = -55^\circ\text{C to } +125^\circ\text{C}$ $V_{CC} = 5.0\text{V} \pm 10\%$ (MIN. = 4.50 V MAX. = 5.50 V)**DC CHARACTERISTICS OVER OPERATING RANGE**

| Parameters | Description | Test Conditions (Note 1) | Min. | Typ. (Note 2) | Max. | Units | | |
|------------|---|---|--------------------------------|---------------------|------|-------|---------------|---------------|
| V_{OH} | Output HIGH Voltage | $V_{CC} = \text{MIN.}$ $V_{IN} = V_{IH}$ or V_{IL} | O, $I_{OH} = -660\mu\text{A}$ | MIL | 2.5 | 3.4 | Volts | |
| | | | | COM'L | 2.7 | 3.4 | | |
| | | Y | MIL, $I_{OH} = -1.0\text{mA}$ | 2.4 | 3.4 | | | |
| | | | COM'L, $I_{OH} = 2.6\text{mA}$ | 2.4 | 3.4 | | | |
| V_{OL} | Output LOW Voltage | $V_{CC} = \text{MIN.}$ $V_{IN} = V_{IH}$ or V_{IL} | $I_{OL} = 4.0\text{mA}$ | | | 0.4 | Volts | |
| | | | $I_{OL} = 8.0\text{mA}$ | | | 0.45 | | |
| | | | $I_{OL} = 12\text{mA}$ | | | 0.5 | | |
| V_{IH} | Input HIGH Level | Guaranteed input logical HIGH voltage for all inputs | | 2.0 | | Volts | | |
| V_{IL} | Input LOW Level | Guaranteed input logical LOW voltage for all inputs | | MIL | | 0.7 | Volts | |
| | | | | COM'L | | 0.8 | | |
| V_I | Input Clamp Voltage | $V_{CC} = \text{MIN.}$, $I_{IN} = -18\text{mA}$ | | | | -1.5 | Volts | |
| I_{IL} | Input LOW Current | $V_{CC} = \text{MAX.}$, $V_{IN} = 0.4\text{V}$ | | | | -0.36 | mA | |
| I_{IH} | Input HIGH Current | $V_{CC} = \text{MAX.}$, $V_{IN} = 2.7\text{V}$ | | | | 20 | μA | |
| I_I | Input HIGH Current | $V_{CC} = \text{MAX.}$, $V_{IN} = 7.0\text{V}$ | | | | 0.1 | mA | |
| I_O | Off-State (High-Impedance) Output Current | $V_{CC} = \text{MAX.}$ | | $V_O = 0.4\text{V}$ | | | -20 | μA |
| | | | | $V_O = 2.4\text{V}$ | | | 20 | |
| I_{SC} | Output Short Circuit Current (Note 3) | $V_{CC} = \text{MAX.}$ | | -15 | | -85 | mA | |
| I_{CC} | Power Supply Current (Note 4) | $V_{CC} = \text{MAX.}$ | | | 17 | 28 | mA | |

Notes: 1. For conditions shown as MIN. or MAX., use the appropriate value specified under Electrical Characteristics for the applicable device type.

2. Typical limits are at $V_{CC} = 5.0\text{V}$, 25°C ambient and maximum loading.

3. Not more than one output should be shorted at a time. Duration of the short circuit test should not exceed one second.

4. I_{CC} is measured with all inputs at 4.5V and all outputs open.**MAXIMUM RATINGS** (Above which the useful life may be impaired)

| | |
|---|------------------------|
| Storage Temperature | -65°C to +150°C |
| Temperature (Ambient) Under Bias | -55°C to +125°C |
| Supply Voltage to Ground Potential Continuous | -0.5V to +7.0V |
| DC Voltage Applied to Outputs for High Output State | -0.5V to V_{CC} max. |
| DC Input Voltage | -0.5V to +7.0V |
| DC Output Current, Into Outputs | 30mA |
| DC Input Current | -30mA to +5.0mA |

Am29LS18

SWITCHING CHARACTERISTICS

($T_A = +25^\circ\text{C}$, $V_{CC} = 5.0\text{V}$)

| Parameters | Description | Min. | Typ. | Max. | Units | Test Conditions |
|------------|---------------------------------------|------|------|------|-------|---|
| t_{PLH} | Clock to Q_i | | 18 | 27 | ns | $C_L = 15\text{pF}$ $R_L = 2.0\text{k}\Omega$ |
| t_{PHL} | | | 18 | 27 | | |
| t_{PLH} | Clock to Y_i (\overline{OE} LOW) | | 18 | 27 | ns | |
| t_{PHL} | | | 18 | 27 | | |
| t_{pw} | Clock Pulse Width | LOW | 18 | | ns | |
| | | HIGH | 15 | | | |
| t_s | Data | 15 | | | ns | |
| t_h | Data | 5.0 | | | ns | |
| t_{ZH} | \overline{OE} to Y_i | | 7.0 | 11 | ns | |
| t_{ZL} | | | 8 | 12 | | |
| t_{HZ} | \overline{OE} to Y_i | | 14 | 21 | ns | $C_L = 5.0\text{pF}$ $R_L = 2.0\text{k}\Omega$ |
| t_{LZ} | | | 12 | 18 | | |
| f_{max} | Maximum Clock Frequency (Note 1) | 35 | 50 | | MHz | |

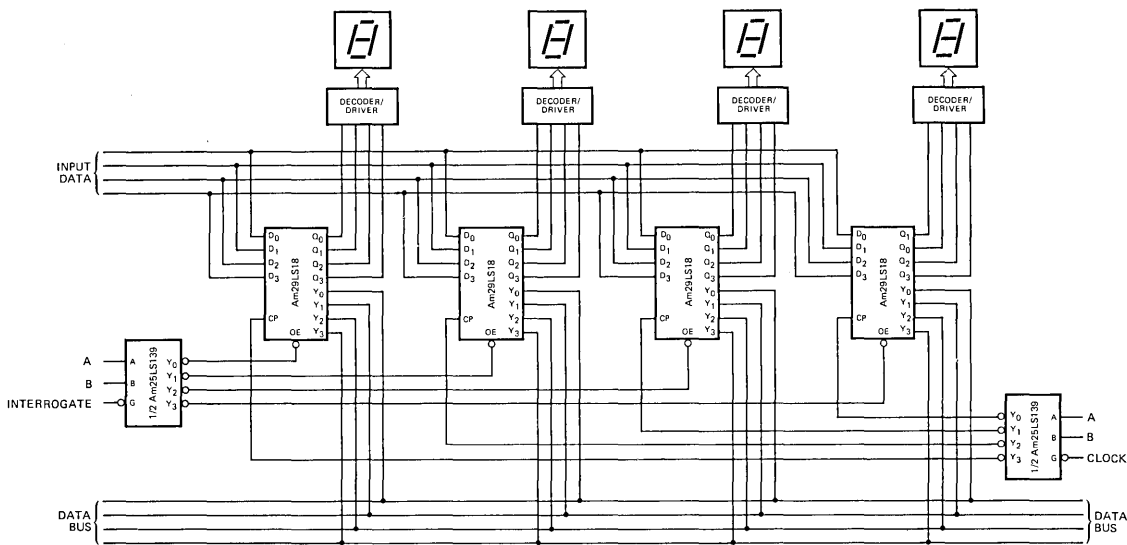
Note 1. Per industry convention, f_{max} is the worst case value of the maximum device operating frequency with no constraints on t_r , t_f , pulse width or duty cycle.

SWITCHING CHARACTERISTICS OVER OPERATING RANGE*

| Parameters | Description | Am29LS18PC, DC | | Am29LS18DM, FM | | Units | Test Conditions |
|------------|---------------------------------------|----------------|------|----------------|------|-------|---|
| | | Min. | Max. | Min. | Max. | | |
| t_{PLH} | Clock to Q_i | | 38 | | 45 | ns | $C_L = 50\text{pF}$ $R_L = 2.0\text{k}\Omega$ |
| t_{PHL} | | | 38 | | 45 | | |
| t_{PLH} | Clock to Y_i (\overline{OE} LOW) | | 35 | | 40 | ns | |
| t_{PHL} | | | 35 | | 40 | | |
| t_{pw} | Clock Pulse Width | LOW | 20 | | 20 | ns | |
| | | HIGH | 20 | | 20 | | |
| t_s | Data | 15 | | 15 | ns | | |
| t_h | Data | 5.0 | | 5.0 | ns | | |
| t_{ZH} | \overline{OE} to Y_i | | 15 | | 17 | ns | |
| t_{ZL} | | | 16 | | 17 | | |
| t_{HZ} | \overline{OE} to Y_i | | 27 | | 30 | ns | $C_L = 5.0\text{pF}$ $R_L = 2.0\text{k}\Omega$ |
| t_{LZ} | | | 24 | | 30 | | |
| f_{max} | Maximum Clock Frequency (Note 1) | 30 | | | | MHz | |

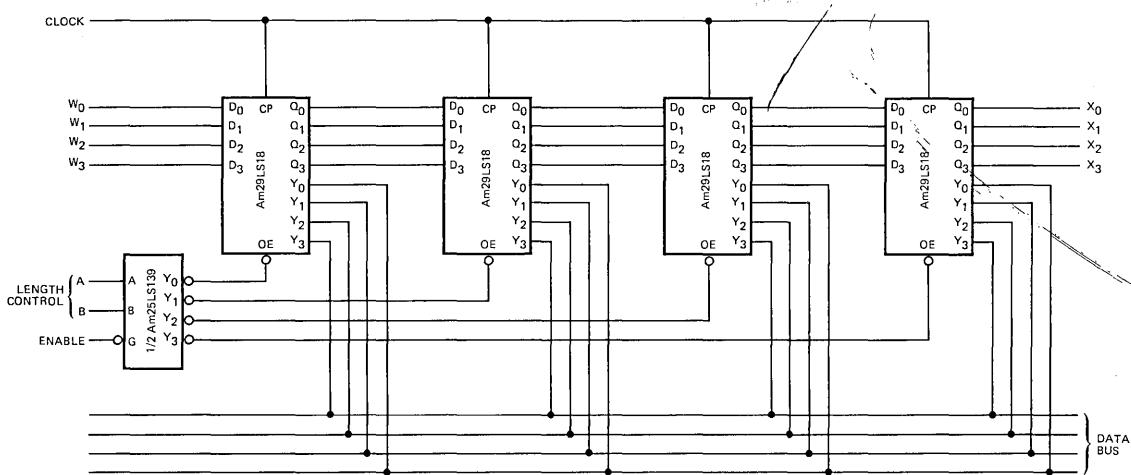
*AC performance over the operating temperature range is guaranteed by testing defined in Group A, Subgroup 9.

APPLICATIONS



The Am29LS18 used as a display register with bus interrogate capability.

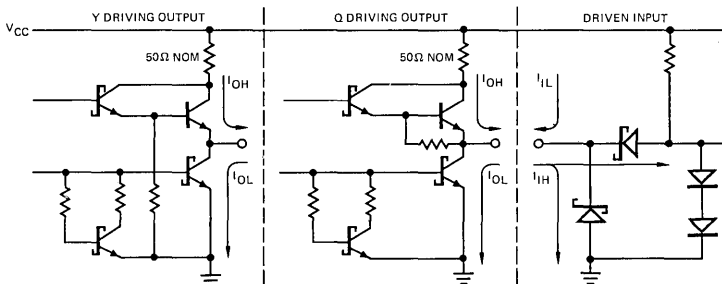
MPR-193



The Am29LS18 as a variable length (1, 2, 3 or 4 word) shift register.

MPR-194

LOW-POWER SCHOTTKY INPUT/OUTPUT
CURRENT INTERFACE CONDITIONS



Note: Actual current flow direction shown.

MPR-195

DEFINITION OF FUNCTIONAL TERMS

D_i The four data inputs to the register.

Q_i The four data outputs of the register with standard totem-pole active pull-up outputs. Data is passed non-inverted.

Y_i The four three-state data outputs of the register. When the three-state outputs are enabled, data is passed non-inverted. A HIGH on the "output control" input forces the Y_i outputs to the high-impedance state.

CP Clock. The buffered common clock for the register. Enters data on the LOW-to-HIGH transition.

\overline{OE} Output Control. When the \overline{OE} input is HIGH, the Y_i outputs are in the high-impedance state. When the \overline{OE} input is LOW, the TRUE register data is present at the Y_i outputs.

TRUTH TABLE

| INPUTS | | | OUTPUTS | | NOTES |
|-----------------|----------|---|---------|---|-------|
| \overline{OE} | CLOCK CP | D | Q | Y | |
| H | L | X | NC | Z | — |
| H | H | X | NC | Z | — |
| H | ↑ | L | L | Z | — |
| H | ↑ | H | H | Z | — |
| L | ↑ | L | L | L | — |
| L | ↑ | H | H | H | — |
| L | — | — | L | L | 1 |
| L | — | — | H | H | 1 |

L = LOW

H = HIGH

X = Don't care

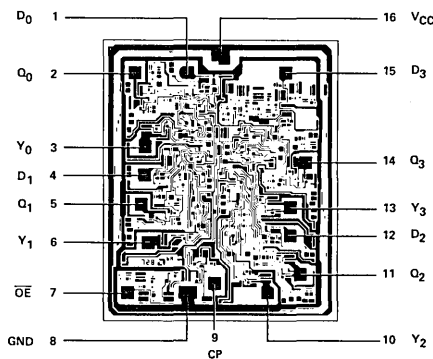
NC = No change

↑ = LOW to HIGH transition

Z = High impedance

Note: 1. When \overline{OE} is LOW, the Y output will be in the same logic state as the Q output.

Metallization and Pad Layout



DIE SIZE 0.083" x 0.099"

ORDERING INFORMATION

Order the part number according to the table below to obtain the desired package, temperature range, and screening level.

| Order Number | Package Type (Note 1) | Temperature Range (Note 2) | Screening Level (Note 3) |
|--------------|--------------------------|-------------------------------|--|
| AM29LS18PC | P-16 | C | C-1 |
| AM29LS18DC | D-16 | C | C-1 |
| AM29LS18DC-B | D-16 | C | B-1 |
| AM29LS18DM | D-16 | M | C-3 |
| AM29LS18DM-B | D-16 | M | B-3 |
| AM29LS18FM | F-16 | M | C-3 |
| AM29LS18FM-B | F-16 | M | B-3 |
| AM29LS18XC | Dice | C | Visual inspection to MIL-STD-883 Method 2010B. |
| AM29LS18XM | Dice | M | |

- Notes: 1. P = Molded DIP, D = Hermetic DIP, F = Flat Pak. Number following letter is number of leads. See Appendix B for detailed outline. Where Appendix B contains several dash numbers, any of the variations of the package may be used unless otherwise specified.
- 2. C = 0°C to +70°C, M = -55°C to +125°C.
- 3. See Appendix A for details of screening. Levels C-1 and C-3 conform to MIL-STD-883, Class C. Level B-3 conforms to MIL-STD-883, Class B.

Am2919

Quad Register With Dual Three-State Outputs

DISTINCTIVE CHARACTERISTICS

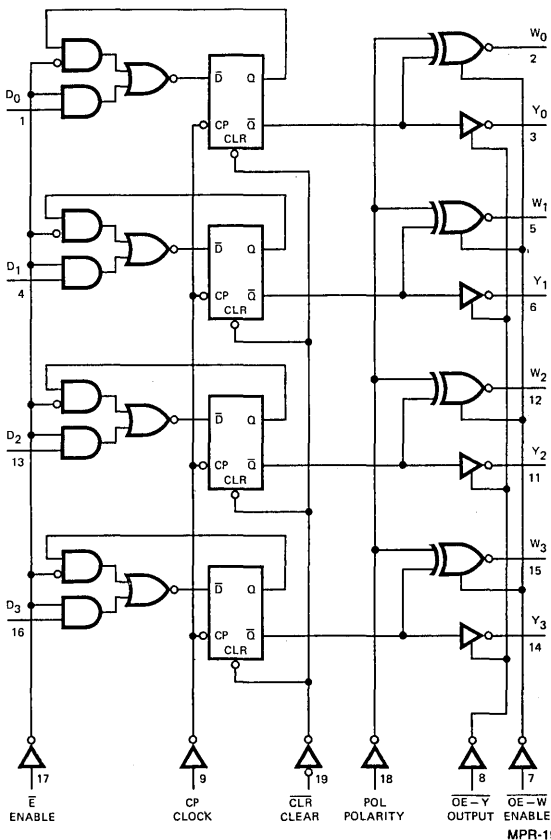
- Two sets of three-state outputs
- Four D-type flip-flops
- Polarity control on one set of outputs
- Buffered common clock enable
- Buffered common asynchronous clear
- Separate buffered common output enable for each set of outputs
- 100% reliability assurance testing in compliance with MIL-STD-883

FUNCTIONAL DESCRIPTION

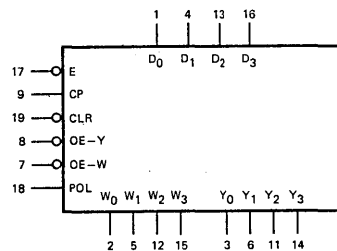
The Am2919 consists of four D-type flip-flops with a buffered common clock enable. Information meeting the set-up and hold time requirements of the D inputs is transferred to the flip-flop outputs on the LOW-to-HIGH transition of the clock. Data on the Q outputs of the flip-flops is enabled at the three-state outputs when the output control (\overline{OE}) input is LOW. When the appropriate \overline{OE} input is HIGH, the outputs are in the high impedance state. Two independent sets of outputs—W and Y—are provided such that the register can simultaneously and independently drive two buses. One set of outputs contains a polarity control such that the outputs can either be inverting or non-inverting.

The device also features an active LOW asynchronous clear. When the clear input is LOW, the Q output of the internal flip-flops are forced LOW independent of the other inputs. The Am2919 is packaged in a space-saving (0.3-inch row spacing) 20-pin package.

LOGIC DIAGRAM



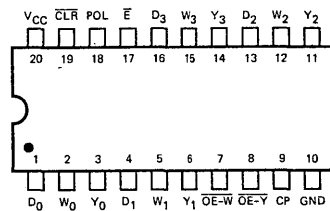
LOGIC SYMBOL



V_{CC} = Pin 20
GND = Pin 10

MPR-197

CONNECTION DIAGRAM Top View



Note: Pin 1 is marked for orientation.

MPR-198

Am2919

ELECTRICAL CHARACTERISTICS

The Following Conditions Apply Unless Otherwise Specified:

| | | | | |
|-------|----------------------------------|-----------------------------|--------------|--------------|
| COM'L | T _A = 0°C to +70°C | V _{CC} = 5.0V ±5% | MIN. = 4.75V | MAX. = 5.25V |
| MIL | T _A = -55°C to +125°C | V _{CC} = 5.0V ±10% | MIN. = 4.50V | MAX. = 5.50V |

DC CHARACTERISTICS OVER OPERATING RANGE

| Parameters | Description | Test Conditions (Note 1) | | Min. | Typ. (Note 2) | Max. | Units |
|-----------------|---|--|---------------------------------|-----------------------|------------------|-------|-------|
| V _{OH} | Output HIGH Voltage | V _{CC} = MIN. V _{IN} = V _{IH} or V _{IL} | MIL, I _{OH} = -1.0mA | 2.4 | 3.4 | | Volts |
| | | | COM'L, I _{OH} = -2.6mA | 2.4 | 3.4 | | |
| V _{OL} | Output LOW Voltage | V _{CC} = MIN. V _{IN} = V _{IH} or V _{IL} | I _{OL} = 4.0mA | | | 0.4 | Volts |
| | | | I _{OL} = 8.0mA | | | 0.45 | |
| | | | I _{OL} = 12mA | | | 0.5 | |
| V _{IH} | Input HIGH Level | Guaranteed input logical HIGH voltage for all inputs | | 2.0 | | | Volts |
| V _{IL} | Input LOW Level | Guaranteed input logical LOW voltage for all inputs | | MIL | | 0.7 | Volts |
| | | | | COM'L | | 0.8 | |
| V _I | Input Clamp Voltage | V _{CC} = MIN., I _{IN} = -18mA | | | | -1.5 | Volts |
| I _{IL} | Input LOW Current | V _{CC} = MAX., V _{IN} = 0.4V | | | | -0.36 | mA |
| I _{IH} | Input HIGH Current | V _{CC} = MAX., V _{IN} = 2.7V | | | | 20 | μA |
| I _I | Input HIGH Current | V _{CC} = MAX., V _{IN} = 7.0V | | | | 0.1 | mA |
| I _O | Off-State (High-Impedance) Output Current | V _{CC} = MAX. | | V _O = 0.4V | | -20 | μA |
| | | | | V _O = 2.4V | | 20 | |
| I _{SC} | Output Short Circuit Current (Note 3) | V _{CC} = MAX. | | -15 | | -85 | mA |
| I _{CC} | Power Supply Current (Note 4) | V _{CC} = MAX. | | MIL | 24 | 36 | mA |
| | | | | COM'L | 24 | 39 | |

- Notes: 1. For conditions shown as MIN. or MAX., use the appropriate value specified under Electrical Characteristics for the applicable device type.
 2. Typical limits are at V_{CC} = 5.0V, 25°C ambient and maximum loading.
 3. Not more than one output should be shorted at a time. Duration of the short circuit test should not exceed one second.
 4. Inputs grounded; outputs open.

MAXIMUM RATINGS (Above which the useful life may be impaired)

| | |
|---|--------------------------------|
| Storage Temperature | -65°C to +150°C |
| Temperature (Ambient) Under Bias | -55°C to +125°C |
| Supply Voltage to Ground Potential Continuous | -0.5V to +7.0V |
| DC Voltage Applied to Outputs for High Output State | -0.5V to +V _{CC} max. |
| DC Input Voltage | -0.5V to +7.0V |
| DC Output Current, Into Outputs | 30mA |
| DC Input Current | -30mA to +5.0mA |

FUNCTION TABLE

| FUNCTION | INPUTS | | | | | | | INTERNAL | OUTPUTS | |
|----------------------------|--------|----------------|-----------|-------------|-----|-------------------|-------------------|----------|----------------|----------------|
| | CP | D _i | \bar{E} | \bar{CLR} | POL | $\overline{OE-W}$ | $\overline{OE-Y}$ | Q | W _i | Y _i |
| Output Three-State Control | X | X | X | X | X | H | L | NC | Z | Enabled |
| | X | X | X | X | X | L | H | NC | Enabled | Z |
| | X | X | X | X | X | H | H | NC | Z | Z |
| | X | X | X | X | X | L | L | NC | Enabled | Enabled |
| W _i Polarity | X | X | X | X | L | L | L | NC | Inverting | Non-Inverting |
| | X | X | X | X | H | L | L | NC | Non-Inverting | Non-Inverting |
| Asynchronous Clear | X | X | X | L | X | X | X | L | - | - |
| Clock Enable | ↑ | X | H | H | X | X | X | NC | - | - |
| | ↑ | L | L | H | X | X | X | X | - | - |
| | ↑ | H | L | H | X | X | X | H | - | - |

L = LOW Z = High Impedance X = Don't Care ↑ = LOW-to-HIGH Transition
 H = HIGH NC = No Change

SWITCHING CHARACTERISTICS

(T_A = +25°C, V_{CC} = 5.0V)

| Parameters | Description | Min. | Typ. | Max. | Units | Test Conditions |
|------------------|--|------|------|------|-------|--|
| t _{PHL} | Clock to Y _i | | 22 | 33 | ns | C _L = 15pF R _L = 2.0kΩ |
| t _{PHL} | | | 20 | 30 | | |
| t _{PLH} | Clock to W _i (Either Polarity) | | 24 | 36 | ns | |
| t _{PHL} | | | 24 | 36 | | |
| t _{PHL} | Clear to Y _i | | 29 | 43 | ns | |
| t _{PLH} | Clear to W _i | | 25 | 37 | ns | |
| t _{PHL} | | | 30 | 45 | | |
| t _{PLH} | Polarity to W _i | | 23 | 34 | ns | |
| t _{PHL} | | | 25 | 37 | | |
| t _{pw} | Clear | 18 | | | ns | |
| t _{pw} | Clock Pulse Width | LOW | 15 | | ns | |
| | | HIGH | 18 | | | |
| t _s | Data | 15 | | | ns | |
| t _h | Data | 5 | | | ns | |
| t _s | Data Enable | 20 | | | ns | |
| t _h | Data Enable | 0 | | | ns | |
| t _s | Set-up Time, Clear Recovery (Inactive) to Clock | 20 | 15 | | ns | |
| t _{ZH} | Output Enable to W or Y | | 11 | 17 | ns | |
| t _{ZL} | | | 13 | 20 | | |
| t _{HZ} | Output Enable to W or Y | | 13 | 20 | ns | C _L = 5.0pF R _L = 2.0kΩ |
| t _{LZ} | | | 11 | 17 | | |
| f _{max} | Maximum Clock Frequency (Note 1) | 35 | 45 | | MHz | C _L = 15pF R _L = 2.0kΩ |

Note 1. Per industry convention, f_{max} is the worst case value of the maximum device operating frequency with no constraints on t_r, t_f, pulse width or duty cycle.

SWITCHING CHARACTERISTICS
OVER OPERATING RANGE*

| Parameters | Description | Am2919PC, DC | | Am2919DM, FM | | Units | Test Conditions |
|------------------|--|--------------|------|--------------|------|-------|--|
| | | Min. | Max. | Min. | Max. | | |
| t _{PLH} | Clock to Y _i | | 39 | | 42 | ns | C _L = 50pF R _L = 2.0kΩ |
| t _{PHL} | | | 39 | | 45 | | |
| t _{PLH} | Clock to W _i (Either Polarity) | | 41 | | 43 | ns | |
| t _{PHL} | | | 44 | | 48 | | |
| t _{PHL} | Clear to Y _i | | 52 | | 58 | ns | |
| t _{PLH} | Clear to W _i | | 42 | | 43 | ns | |
| t _{PHL} | | | 51 | | 53 | | |
| t _{PLH} | Polarity to W _i | | 41 | | 45 | ns | |
| t _{PHL} | | | 42 | | 44 | | |
| t _{pw} | Clear | 20 | | 20 | | ns | |
| t _{pw} | Clock | LOW | 20 | | 20 | ns | |
| | | HIGH | 20 | | 20 | | |
| t _s | Data | 15 | | 15 | | ns | |
| t _h | Data | 10 | | 10 | | ns | |
| t _s | Data Enable | 25 | | 25 | | ns | |
| t _h | Data Enable | 0 | | 0 | | ns | |
| t _s | Set-up Time, Clear Recovery (Inactive) to Clock | 23 | | 24 | | ns | |
| t _{ZH} | Output Enable to W _i or Y _i | | 24 | | 27 | ns | |
| t _{ZL} | | | 29 | | 35 | | |
| t _{HZ} | Output Enable to W _i or Y _i | | 33 | | 45 | ns | C _L = 5.0pF R _L = 2.0kΩ |
| t _{LZ} | | | 22 | | 26 | | |
| f _{max} | Maximum Clock Frequency (Note 1) | 30 | | 25 | | MHz | C _L = 50pF R _L = 2.0kΩ |

*AC performance over the operating temperature range is guaranteed by testing defined in Group A, Subgroup 9.

DEFINITION OF FUNCTIONAL TERMS

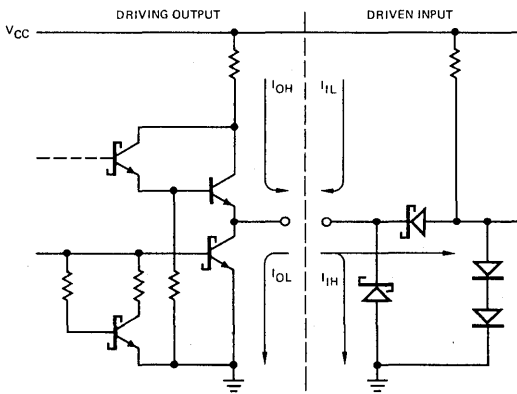
- D_i** Any of the four D flip-flop data lines.
- \bar{E}** Clock Enable. When LOW, the data is entered into the register on the next clock LOW-to-HIGH transition. When HIGH, the data in the register remains unchanged, regardless of the data in.
- CP** Clock Pulse. Data is entered into the register on the LOW-to-HIGH transition.
- $\overline{OE-W}, \overline{OE-Y}$** Output Enable. When \overline{OE} is LOW, the register is enable to the output. When HIGH, the output is in the high-impedance state. The $\overline{OE-W}$ controls the W set of outputs, and $\overline{OE-Y}$ controls the Y set.
- Y_i** Any of the four non-inverting three-state output lines.
- W_i** Any of the four three-state outputs with polarity control.
- POL** Polarity Control. The W_i outputs will be non-inverting when POL is HIGH, and when it is LOW, the outputs are inverting.
- \overline{CLR}** Asynchronous Clear. When \overline{CLR} is LOW, the internal Q flip-flops are reset to LOW.

GUARANTEED LOADING RULES OVER OPERATING RANGE (In Unit Loads)

A Low-Power Schottky TTL Unit Load is defined as 20 μ A measured at 2.7V HIGH and -0.36mA measured at 0.4V LOW.

| Pin No.'s | Input/Output | Output HIGH | | Output LOW | |
|-----------|-------------------|-------------|-------|------------|-------|
| | | MIL | COM'L | MIL | COM'L |
| 1 | D ₀ | 1.0 | — | — | — |
| 2 | W ₀ | — | 50 | 130 | 33 |
| 3 | Y ₀ | — | 50 | 130 | 33 |
| 4 | D ₁ | 1.0 | — | — | — |
| 5 | W ₁ | — | 50 | 130 | 33 |
| 6 | Y ₁ | — | 50 | 130 | 33 |
| 7 | $\overline{OE-W}$ | 1.0 | — | — | — |
| 8 | $\overline{OE-Y}$ | 1.0 | — | — | — |
| 9 | CP | 1.0 | — | — | — |
| 10 | GND | — | — | — | — |
| 11 | Y ₂ | — | 50 | 130 | 33 |
| 12 | W ₂ | — | 50 | 130 | 33 |
| 13 | D ₂ | 1.0 | — | — | — |
| 14 | Y ₃ | — | 50 | 130 | 33 |
| 15 | W ₃ | — | 50 | 130 | 33 |
| 16 | D ₃ | 1.0 | — | — | — |
| 17 | \bar{E} | 1.0 | — | — | — |
| 18 | POL | 1.0 | — | — | — |
| 19 | \overline{CLR} | 1.0 | — | — | — |
| 20 | V _{CC} | — | — | — | — |

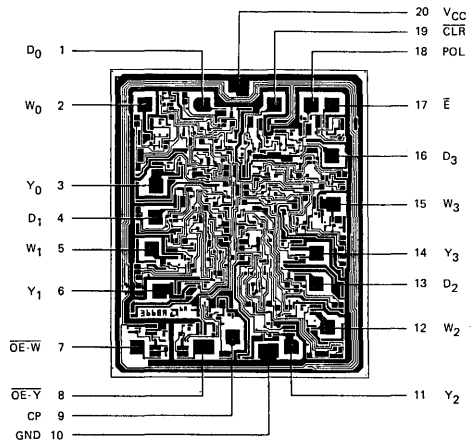
LOW-POWER SCHOTTKY INPUT/OUTPUT CURRENT INTERFACE CONDITIONS



Note: Actual current flow direction shown.

MPR-199

Metallization and Pad Layout



DIE SIZE 0.083" X 0.099"

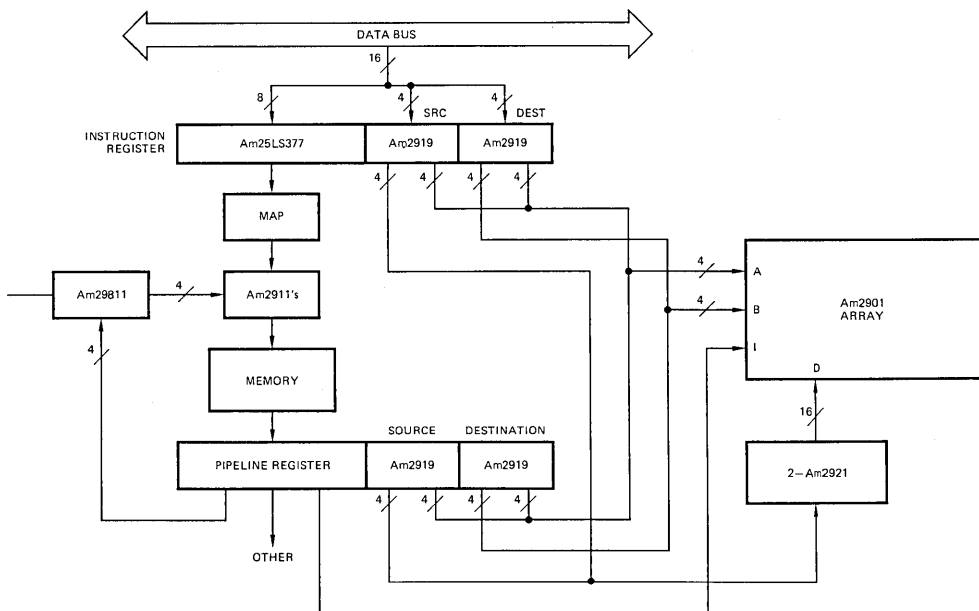
ORDERING INFORMATION

Order the part number according to the table below to obtain the desired package, temperature range, and screening level.

| Order Number | Package Type (Note 1) | Temperature Range (Note 2) | Screening Level (Note 3) |
|--------------|--------------------------|-------------------------------|--|
| AM2919PC | P-20 | C | C-1 |
| AM2919DC | D-20 | C | C-1 |
| AM2919DC-B | D-20 | C | B-1 |
| AM2919DM | D-20 | M | C-3 |
| AM2919DM-B | D-20 | M | B-3 |
| AM2919FM | F-20 | M | C-3 |
| AM2919FM-B | F-20 | M | B-3 |
| AM2919XC | Dice | C | Visual inspection to MIL-STD-883 Method 2010B. |
| AM2919XM | Dice | M | |

- Notes: 1. P = Molded DIP, D = Hermetic DIP, F = Flat Pak. Number following letter is number of leads. See Appendix B for detailed outline. Where Appendix B contains several dash numbers, any of the variations of the package may be used unless otherwise specified.
2. C = 0°C to +70°C, M = -55°C to +125°C.
3. See Appendix A for details of screening. Levels C-1 and C-3 conform to MIL-STD-883, Class C. Level B-3 conforms to MIL-STD-883, Class B.

APPLICATION



The Am2919 provides for easy control of the selection of source and destination register addresses for the Am2901. These controls can emanate from both the instruction register and the pipeline register. The control is accomplished by three-state action at the Am2919 outputs. Four different register outputs can be selected by the B address which is the destination register in the Am2901. Two registers can be selected for the Am2901 A input which is a second RAM source.

The other pair of three-state outputs can be used for function control select as shown with the Am2921. Here, bit set, bit clear, bit toggle and bit test on any of the 16 bits can be performed.

Am2920

Octal D-Type Flip-Flop With Clear, Clock Enable And Three-State Control

DISTINCTIVE CHARACTERISTICS

- Buffered common clock enable input
- Buffered common asynchronous clear input
- Three-state outputs
- 8-bit, high-speed parallel register with positive edge-triggered, D-type flip-flops
- 100% reliability assurance testing in compliance with MIL-STD-883

FUNCTIONAL DESCRIPTION

The Am2920 is an 8-bit register built using advanced Low-Power Schottky technology. The register consists of eight D-type flip-flops with a buffered common clock, a buffered common clock enable, a buffered asynchronous clear input, and three-state outputs.

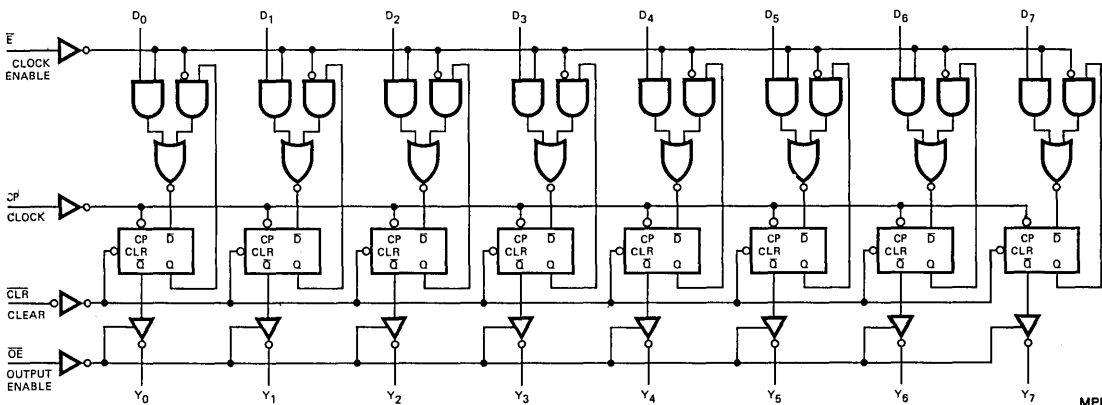
When the clear input is LOW, the internal flip-flops of the register are reset to logic 0 (LOW), independent of all other inputs. When the clear input is HIGH, the register operates in the normal fashion.

When the three-state output enable (\overline{OE}) input is LOW, the Y outputs are enabled and appear as normal TTL outputs. When the output enable (\overline{OE}) input is HIGH, the Y outputs are in the high impedance (three-state) condition. This does not affect the internal state of the flip-flop Q output.

The clock enable input (\overline{E}) is used to selectively load data into the register. When the \overline{E} input is HIGH, the register will retain its current data. When the \overline{E} is LOW, new data is entered into the register on the LOW-to-HIGH transition of the clock input.

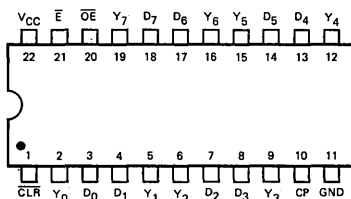
This device is packaged in a space-saving (0.4-inch row spacing) 22-pin package.

LOGIC DIAGRAM



MPR-201

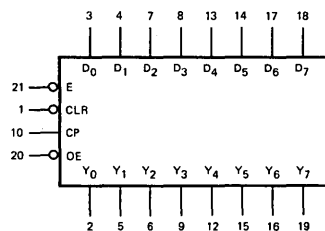
CONNECTION DIAGRAM Top View



Note: Pin 1 is marked for orientation.

MPR-202

LOGIC SYMBOL



VCC = Pin 22

GND = Pin 11

MPR-203

ELECTRICAL CHARACTERISTICS

The Following Conditions Apply Unless Otherwise Specified:

COM'L $T_A = 0^\circ\text{C to } +70^\circ\text{C}$ $V_{CC} = 5.0\text{V} \pm 5\%$ MIN. = 4.75V MAX. = 5.25V
 MIL $T_A = -55^\circ\text{C to } +125^\circ\text{C}$ $V_{CC} = 5.0\text{V} \pm 10\%$ MIN. = 4.50V MAX. = 5.50V

DC CHARACTERISTICS OVER OPERATING RANGE

| Parameters | Description | Test Conditions (Note 1) | Min. | Typ. (Note 2) | Max. | Units |
|------------|---|---|---------------------------------|------------------|-------|---------------|
| V_{OH} | Output HIGH Voltage | $V_{CC} = \text{MIN.}$ $V_{IN} = V_{IH}$ or V_{IL} | MIL, $I_{OH} = -1.0\text{mA}$ | 2.4 | 3.4 | Volts |
| | | | COM'L, $I_{OH} = -2.6\text{mA}$ | 2.4 | 3.4 | |
| V_{OL} | Output LOW Voltage | $V_{CC} = \text{MIN.}$ $V_{IN} = V_{IH}$ or V_{IL} | $I_{OL} = 4.0\text{mA}$ | | 0.4 | Volts |
| | | | $I_{OL} = 8.0\text{mA}$ | | 0.45 | |
| V_{IH} | Input HIGH Level | Guaranteed input logical HIGH voltage for all inputs | 2.0 | | | Volts |
| V_{IL} | Input LOW Level | Guaranteed input logical LOW voltage for all inputs | MIL | | 0.7 | Volts |
| | | | COM'L | | 0.8 | |
| V_I | Input Clamp Voltage | $V_{CC} = \text{MIN.}$, $I_{IN} = -18\text{mA}$ | | | -1.5 | Volts |
| I_{IL} | Input LOW Current | $V_{CC} = \text{MAX.}$, $V_{IN} = 0.4\text{V}$ | | | -0.36 | mA |
| I_{IH} | Input HIGH Current | $V_{CC} = \text{MAX.}$, $V_{IN} = 2.7\text{V}$ | | | 20 | μA |
| I_I | Input HIGH Current | $V_{CC} = \text{MAX.}$, $V_{IN} = 7.0\text{V}$ | | | 0.1 | mA |
| I_O | Off-State (High-Impedance) Output Current | $V_{CC} = \text{MAX.}$ | $V_O = 0.4\text{V}$ | | -20 | μA |
| | | | $V_O = 2.4\text{V}$ | | 20 | |
| I_{SC} | Output Short Circuit Current (Note 3) | $V_{CC} = \text{MAX.}$ | -15 | | -85 | mA |
| I_{CC} | Power Supply Current (Note 4) | $V_{CC} = \text{MAX.}$ | | 24 | 37 | mA |

- Notes: 1. For conditions shown as MIN. or MAX., use the appropriate value specified under Electrical Characteristics for the applicable device type.
 2. Typical limits are at $V_{CC} = 5.0\text{V}$, 25°C ambient and maximum loading.
 3. Not more than one output should be shorted at a time. Duration of the short circuit test should not exceed one second.
 4. All outputs open, $\bar{E} = \text{GND}$, Di inputs = CLR = $\bar{OE} = 4.5\text{V}$. Apply momentary ground, then 4.5V to clock input.

ORDERING INFORMATION

Order the part number according to the table below to obtain the desired package, temperature range, and screening level.

| Order Number | Package Type (Note 1) | Temperature Range (Note 2) | Screening Level (Note 3) |
|--------------|--------------------------|-------------------------------|--|
| AM2920PC | P-22 | C | C-1 |
| AM2920DC | D-22 | C | C-1 |
| AM2920DC-B | D-22 | C | B-1 |
| AM2920DM | D-22 | M | C-3 |
| AM2920DM-B | D-22 | M | B-3 |
| AM2920FM | F-22 | M | C-3 |
| AM2920FM-B | F-22 | M | B-3 |
| AM2920XC | Dice | C | Visual inspection to MIL-STD-883 Method 2010B. |
| AM2920XM | Dice | M | |

- Notes: 1. P = Molded DIP, D = Hermetic DIP, F = Flat Pak. Number following letter is number of leads. See Appendix B for detailed outline. Where Appendix B contains several dash numbers, any of the variations of the package may be used unless otherwise specified.
 2. C = $0^\circ\text{C to } +70^\circ\text{C}$, M = $-55^\circ\text{C to } +125^\circ\text{C}$.
 3. See Appendix A for details of screening. Levels C-1 and C-3 conform to MIL-STD-883, Class C. Level B-3 conforms to MIL-STD-883, Class B.

Am2920

MAXIMUM RATINGS (Above which the useful life may be impaired)

| | |
|---|--------------------------------|
| Storage Temperature | -65°C to +150°C |
| Temperature (Ambient) Under Bias | -55°C to +125°C |
| Supply Voltage to Ground Potential Continuous | -0.5V to +7.0V |
| DC Voltage Applied to Outputs for High Output State | -0.5V to +V _{CC} max. |
| DC Input Voltage | -0.5V to +7.0V |
| DC Output Current, Into Outputs | 30mA |
| DC Input Current | -30mA to +5.0mA |

SWITCHING CHARACTERISTICS

(T_A = +25°C, V_{CC} = 5.0V)

| Parameters | Description | Min. | Typ. | Max. | Units | Test Conditions |
|------------------|--|----------|------|------|-------|--|
| t _{PLH} | Clock to Y _i (\overline{OE} LOW) | | 18 | 27 | ns | C _L = 15pF R _L = 2.0kΩ |
| t _{PHL} | | | 24 | 36 | | |
| t _{PHL} | Clear to Y | | 22 | 35 | ns | |
| t _s | Data (D _i) | 10 | 3 | | ns | |
| t _h | Data (D _i) | 10 | 3 | | ns | |
| t _s | Enable (\overline{E}) | Active | 15 | 10 | ns | |
| | | Inactive | 20 | 12 | | |
| t _h | Enable (\overline{E}) | 0 | 0 | | ns | |
| t _s | Clear Recovery (In-Active) to Clock | 11 | 7 | | ns | |
| t _{pw} | Clock | HIGH | 20 | 14 | ns | |
| | | LOW | 25 | 13 | | |
| t _{pw} | Clear | 20 | 13 | | ns | |
| t _{ZH} | \overline{OE} to Y _i | | 9 | 13 | ns | |
| t _{ZL} | | | 14 | 21 | | |
| t _{HZ} | \overline{OE} to Y _i | | 20 | 30 | ns | C _L = 5.0pF R _L = 2.0kΩ |
| t _{LZ} | | | 24 | 36 | | |
| f _{max} | Maximum Clock Frequency (Note 1) | | 40 | | MHz | |

Note 1. Per industry convention, f_{max} is the worst case value of the maximum device operating frequency with no constraints on t_r, t_f, pulse width or duty cycle.

SWITCHING CHARACTERISTICS OVER OPERATING RANGE*

| Parameters | Description | Am2920PC,DC | | Am2920DM,FM | | Units | Test Conditions |
|------------------|--|-------------|------|-------------|------|-------|--|
| | | Min. | Max. | Min. | Max. | | |
| t _{PLH} | Clock to Y _i (\overline{OE} LOW) | | 33 | | 39 | ns | C _L = 50pF R _L = 2.0kΩ |
| | | | 45 | | 54 | | |
| t _{PHL} | Clear to Y | | 43 | | 51 | ns | |
| t _s | Data (D _i) | 12 | | 15 | | ns | |
| t _h | Data (D _i) | 12 | | 15 | | ns | |
| t _s | Enable (\overline{E}) | Active | 17 | 20 | | ns | |
| | | Inactive | 20 | 23 | | | |
| t _h | Enable (\overline{E}) | 0 | | 0 | | ns | |
| t _s | Clear Recovery (In-Active) to Clock | 13 | | 15 | | ns | |
| t _{pw} | Clock | HIGH | 25 | 30 | | ns | |
| | | LOW | 30 | 35 | | | |
| t _{pw} | Clear | 22 | | 25 | | ns | |
| t _{ZH} | \overline{OE} to Y _i | | 19 | 25 | | ns | |
| t _{ZL} | | | 30 | 39 | | | |
| t _{HZ} | \overline{OE} to Y _i | | 35 | 40 | | ns | C _L = 5.0 pF R _L = 2.0 kΩ |
| t _{LZ} | | | 39 | 42 | | | |
| f _{max} | Maximum Clock Frequency (Note 1) | 25 | | 20 | | MHz | |

*AC performance over the operating temperature range is guaranteed by testing defined in Group A, Subgroup 9.

DEFINITION OF FUNCTIONAL TERMS

- D_i** The D flip-flop data inputs.
- CLR** When the clear input is LOW, the Q_i outputs are LOW, regardless of the other inputs. When the clear input is HIGH, data can be entered into the register.
- CP** Clock Pulse for the Register; enters data into the register on the LOW-to-HIGH transition.
- Y_i** The register three-state outputs.
- E** Clock Enable. When the clock enable is LOW, data on the D_i input is transferred to the Q_i output on the LOW-to-HIGH clock transition. When the clock enable is HIGH, the Q_i outputs do not change state, regardless of the data or clock input transitions.
- OE** Output Control. When the OE input is HIGH, the Y_i outputs are in the high impedance state. When the OE input is LOW, the TRUE register data is present at the Y_i outputs.

FUNCTION TABLE

| Function | Inputs | | | | | Internal Q _i | Outputs Y _i |
|----------|--------|-----|---|----------------|----|-------------------------|------------------------|
| | OE | CLR | E | D _i | CP | | |
| Hi-Z | H | X | X | X | X | X | Z |
| Clear | H | L | X | X | X | L | Z |
| | L | L | X | X | X | L | L |
| Hold | H | H | H | X | X | NC | Z |
| | L | H | H | X | X | NC | NC |
| Load | H | H | L | L | ↑ | L | Z |
| | H | H | L | H | ↑ | H | Z |
| | L | H | L | L | ↑ | L | L |
| | L | H | L | H | ↑ | H | H |

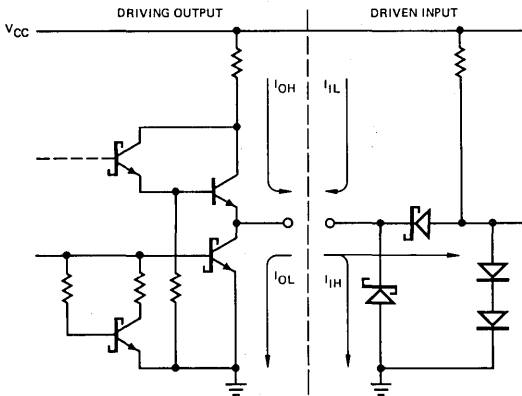
H = HIGH
L = LOW
X = Don't Care
NC = No Change
↑ = LOW-to-HIGH Transition
Z = High Impedance

GUARANTEED LOADING RULES OVER OPERATING RANGE (In Unit Loads)

A Low-Power Schottky TTL Unit Load is defined as 20μA measured at 2.7V HIGH and -0.36mA measured at 0.4V LOW.

| Pin No.'s | Input/Output | Am2920 | | | | | |
|-----------|-----------------|------------|-------------|-------|------------|-------|--|
| | | Input Load | Output HIGH | | Output LOW | | |
| | | | MIL | COM'L | MIL | COM'L | |
| 1 | CLR | 1 | - | - | - | - | |
| 2 | Y ₀ | - | 50 | 130 | 22 | 22 | |
| 3 | D ₀ | 1 | - | - | - | - | |
| 4 | D ₁ | 1 | - | - | - | - | |
| 5 | Y ₁ | - | 50 | 130 | 22 | 22 | |
| 6 | Y ₂ | - | 50 | 130 | 22 | 22 | |
| 7 | D ₂ | 1 | - | - | - | - | |
| 8 | D ₃ | 1 | - | - | - | - | |
| 9 | Y ₃ | - | 50 | 130 | 22 | 22 | |
| 10 | CP | 1 | - | - | - | - | |
| 11 | GND | - | - | - | - | - | |
| 12 | Y ₄ | - | 50 | 130 | 22 | 22 | |
| 13 | D ₄ | 1 | - | - | - | - | |
| 14 | D ₅ | 1 | - | - | - | - | |
| 15 | Y ₅ | - | 50 | 130 | 22 | 22 | |
| 16 | Y ₆ | - | 50 | 130 | 22 | 22 | |
| 17 | D ₆ | 1 | - | - | - | - | |
| 18 | D ₇ | 1 | - | - | - | - | |
| 19 | Y ₇ | - | 50 | 130 | 22 | 22 | |
| 20 | OE | 1 | - | - | - | - | |
| 21 | E | 1 | - | - | - | - | |
| 22 | V _{CC} | - | - | - | - | - | |

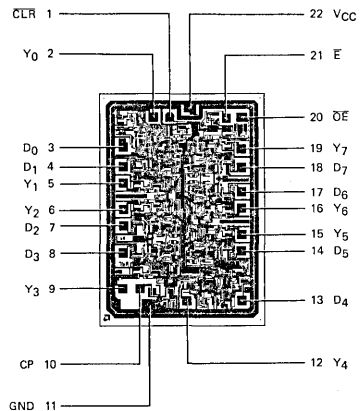
LOW-POWER SCHOTTKY INPUT/OUTPUT CURRENT INTERFACE CONDITIONS



Note: Actual current flow direction shown.

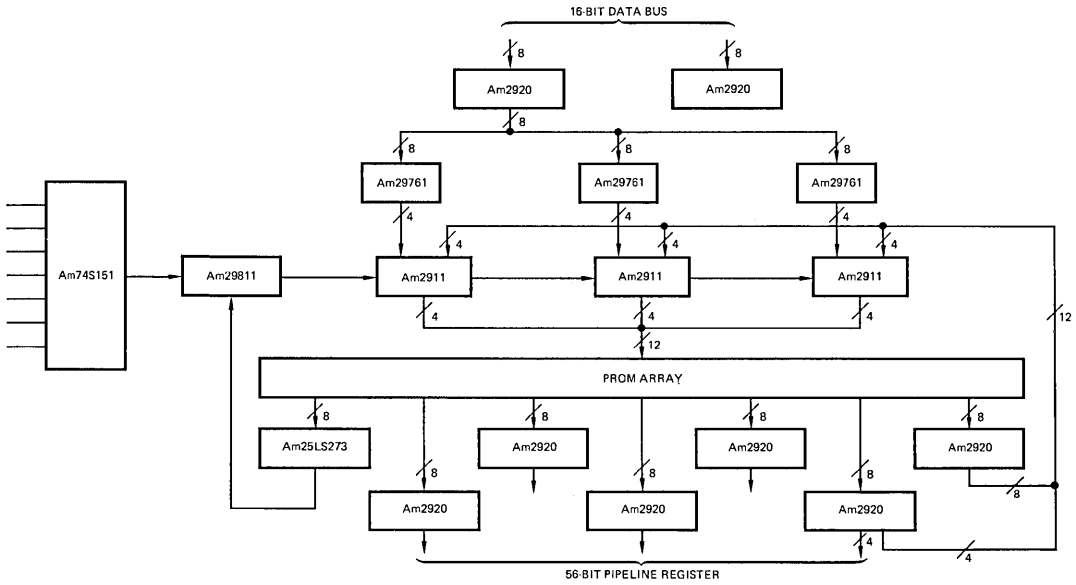
MPR-204

Metallization and Pad Layout



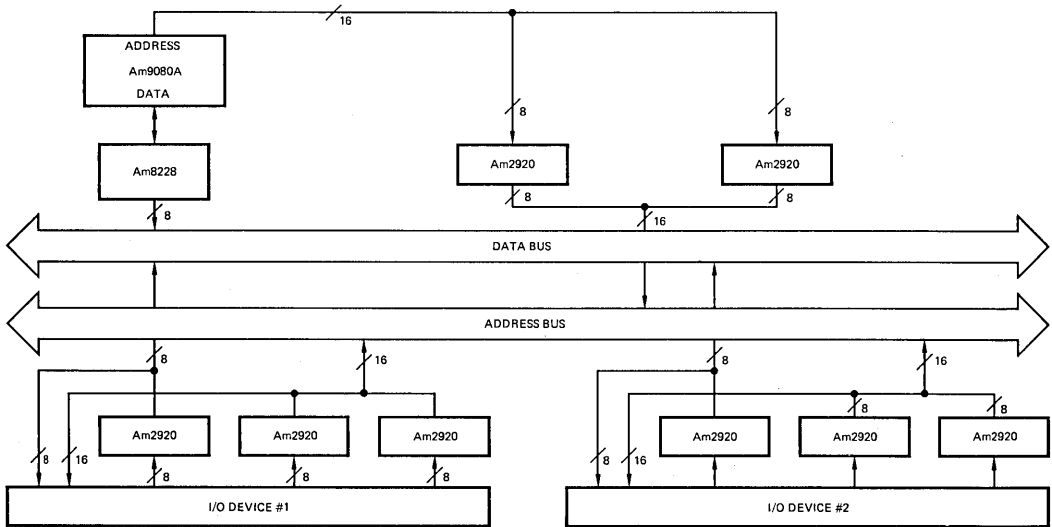
DIE SIZE 0.080" X 0.111"

APPLICATIONS



A typical Computer Control Unit for a microprogrammed machine.

MPR-205



The Am2920 is a useful device in interfacing with the Am9080A system buses.

MPR-206

Am2921

One-of-Eight Decoder With Three-State Outputs And Polarity Control

DISTINCTIVE CHARACTERISTICS

- Three-state decoder outputs
- Buffered common output polarity control
- Inverting and non-inverting enable inputs
- AC parameters specified over operating temperature and power supply ranges.
- 100% reliability assurance testing in compliance with MIL-STD-883

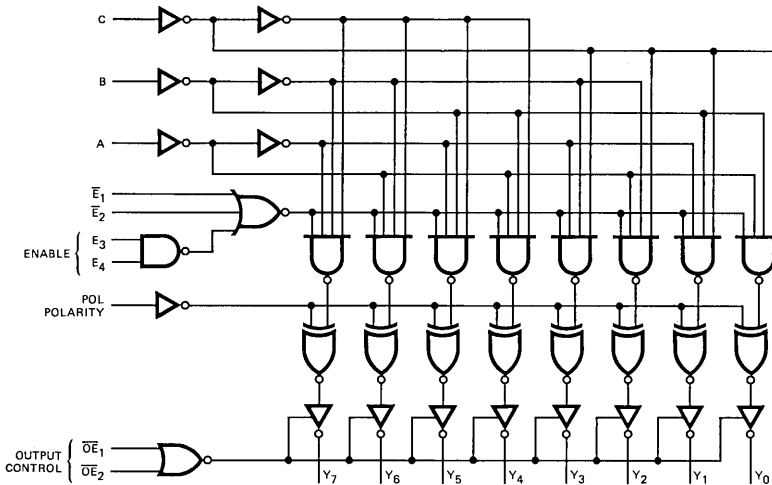
FUNCTIONAL DESCRIPTION

The Am2921 is a three-line to eight-line decoder/demultiplexer fabricated using advanced Low-Power Schottky technology. The decoder has three buffered select inputs—A, B, and C—that are decoded to one-of-eight Y outputs. Two active-HIGH and two active-LOW enables can be used for gating the decoder or can be used with incoming data for demultiplexing applications.

A separate polarity (POL) input can be used to force the function active-HIGH or active-LOW at the output. Two separate active-LOW output enables (\overline{OE}) inputs are provided. If either \overline{OE} input is HIGH, the output is in the high impedance (off) state. When the POL input is LOW, the Y outputs are active-HIGH and when the POL input is HIGH, the Y outputs are active-LOW.

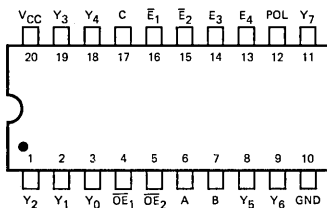
The device is packaged in a space saving (0.3-inch row spacing) 20-pin package.

LOGIC DIAGRAM
One-of-Eight Decoder



MPR-207

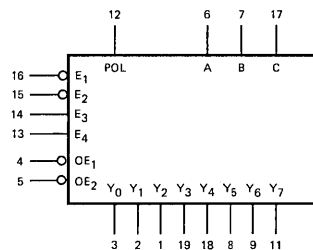
CONNECTION DIAGRAM
Top View



Note: Pin 1 is marked for orientation.

MPR-208

LOGIC SYMBOL



VCC = Pin 20
GND = Pin 10

MPR-209

Am2921

ELECTRICAL CHARACTERISTICS

The Following Conditions Apply Unless Otherwise Specified:

COM'L $T_A = 0^\circ\text{C to } +70^\circ\text{C}$ $V_{CC} = 5.0\text{V} \pm 5\%$ MIN. = 4.75V MAX. = 5.25V

MIL $T_A = -55^\circ\text{C to } +125^\circ\text{C}$ $V_{CC} = 5.0\text{V} \pm 10\%$ MIN. = 4.50V MAX. = 5.50V

DC CHARACTERISTICS OVER OPERATING RANGE

| Parameters | Description | Test Conditions (Note 1) | | Min. | Typ. (Note 2) | Max. | Units |
|-----------------|---|--|----------------------------------|-----------------------|------------------|-------|-------|
| V _{OH} | Output HIGH Voltage | V _{CC} = MIN. V _{IN} = V _{IH} or V _{IL} | I _{OH} = 1.0mA (MIL) | 2.4 | 3.4 | | Volts |
| | | | I _{OH} = -2.6mA (COM'L) | 2.4 | 3.4 | | |
| V _{OL} | Output LOW Voltage | V _{CC} = MIN. V _{IN} = V _{IH} or V _{IL} | I _{OL} = 4.0mA | | | 0.4 | Volts |
| | | | I _{OL} = 8.0mA | | | 0.45 | |
| | | | I _{OL} = 12mA | | | 0.5 | |
| V _{IH} | Input HIGH Level | Guaranteed input logical HIGH voltage for all inputs | | 2.0 | | | Volts |
| V _{IL} | Input LOW Level | Guaranteed input logical LOW voltage for all inputs | | MIL | | 0.7 | Volts |
| | | | | COM'L | | 0.8 | |
| V _I | Input Clamp Voltage | V _{CC} = MIN., I _{IN} = -18mA | | | | -1.5 | Volts |
| I _{IL} | Input LOW Current | V _{CC} = MAX., V _{IN} = 0.4V | | | | -0.36 | mA |
| I _{IH} | Input HIGH Current | V _{CC} = MAX., V _{IN} = 2.7V | | | | 20 | μA |
| I _I | Input HIGH Current | V _{CC} = MAX., V _{IN} = 7.0V | | | | 0.1 | mA |
| I _O | Off-State (High-Impedance) Output Current | V _{CC} = MAX. | | V _O = 0.4V | | -20 | μA |
| | | | | V _O = 2.4V | | 20 | |
| I _{SC} | Output Short Circuit Current (Note 3) | V _{CC} = MAX. | | -15 | | -85 | mA |
| I _{CC} | Power Supply Current (Note 4) | V _{CC} = MAX. | | | 21 | 34 | mA |

Notes: 1. For conditions shown as MIN. or MAX., use the appropriate value specified under Electrical Characteristics for the applicable device type.

2. Typical limits are at V_{CC} = 5.0V, 25°C ambient and maximum loading.

3. Not more than one output should be shorted at a time. Duration of the short circuit test should not exceed one second.

4. Test conditions: A = B = C = E₁ = E₂ = GND; E₃ = E₄ = POL = OE₁ = OE₂ = 4.5V.

MAXIMUM RATINGS (Above which the useful life may be impaired)

| | |
|---|--------------------------------|
| Storage Temperature | -65°C to +150°C |
| Temperature (Ambient) Under Bias | -55°C to +125°C |
| Supply Voltage to Ground Potential Continuous | -0.5V to +7.0V |
| DC Voltage Applied to Outputs for High Output State | -0.5V to +V _{CC} max. |
| DC Input Voltage | -0.5V to +7.0V |
| DC Output Current, Into Outputs | 30mA |
| DC Input Current | -30mA to +5.0mA |

SWITCHING CHARACTERISTICS

($T_A = +25^\circ\text{C}$, $V_{CC} = 5.0\text{V}$)

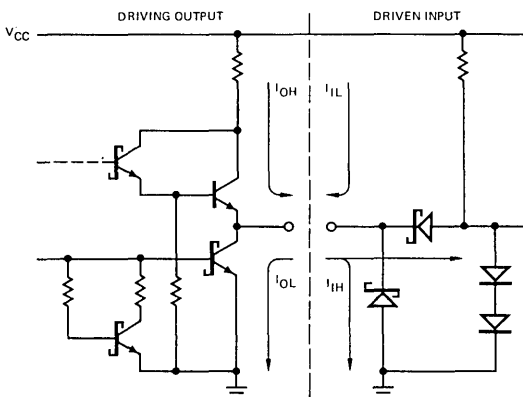
| Parameters | Description | Min. | Typ. | Max. | Units | Test Conditions |
|------------------|--|------|------|------|-------|--|
| t _{PLH} | A, B, C to Y _i | | 20 | 30 | ns | C _L = 15pF R _L = 2.0kΩ |
| t _{PHL} | | | 15 | 22 | | |
| t _{PLH} | $\overline{E}_1, \overline{E}_2$ to Y _i | | 19 | 28 | ns | |
| t _{PHL} | | | 20 | 30 | | |
| t _{PLH} | E ₃ , E ₄ to Y _i | | 21 | 31 | ns | |
| t _{PHL} | | | 23 | 34 | | |
| t _{PLH} | POL to Y _i | | 16 | 24 | ns | |
| t _{PHL} | | | 20 | 30 | | |
| t _{ZH} | $\overline{OE}_1, \overline{OE}_2$ to Y _i | | 17 | 25 | ns | |
| t _{ZL} | | | 14 | 21 | | |
| t _{HZ} | $\overline{OE}_1, \overline{OE}_2$ to Y _i | | 17 | 25 | ns | C _L = 5.0pF R _L = 2.0kΩ |
| t _{LZ} | | | 20 | 30 | | |

SWITCHING CHARACTERISTICS OVER OPERATING RANGE*

| Parameters | Description | Am2921PC, DC | | Am2921DM, FM | | Units | Test Conditions |
|------------------|--|---|------|---|------|-------|--|
| | | Min. | Max. | Min. | Max. | | |
| | | $T_A = 0^\circ\text{C to } +70^\circ\text{C}$ $V_{CC} = 5.0\text{V} \pm 5\%$ | | $T_A = -55^\circ\text{C to } +125^\circ\text{C}$ $V_{CC} = 5.0\text{V} \pm 10\%$ | | | |
| t _{PLH} | A, B, C to Y _i | | 36 | | 42 | ns | C _L = 50pF R _L = 2.0kΩ |
| t _{PHL} | | | | 29 | | | |
| t _{PLH} | $\overline{E}_1, \overline{E}_2$ to Y _i | | 34 | | 39 | ns | |
| t _{PHL} | | | | 38 | | | |
| t _{PLH} | E ₃ , E ₄ to Y _i | | 38 | | 45 | ns | |
| t _{PHL} | | | | 43 | | | |
| t _{PLH} | POL to Y _i | | 29 | | 34 | ns | |
| t _{PHL} | | | | 39 | | | |
| t _{ZH} | $\overline{OE}_1, \overline{OE}_2$ to Y _i | | 38 | | 45 | ns | |
| t _{ZL} | | | | 23 | | | |
| t _{HZ} | $\overline{OE}_1, \overline{OE}_2$ to Y _i | | 29 | | 33 | ns | C _L = 5.0pF R _L = 2.0kΩ |
| t _{LZ} | | | | 33 | | | |

*AC performance over the operating temperature range is guaranteed by testing defined in Group A, Subgroup 9.

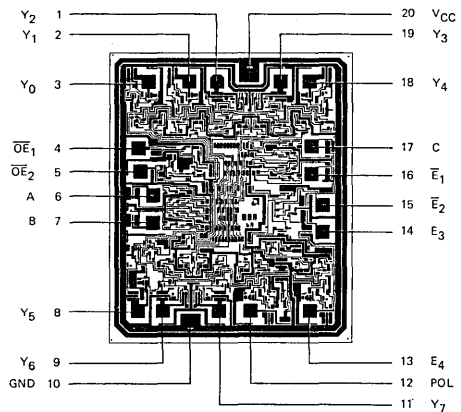
LOW-POWER SCHOTTKY INPUT/OUTPUT CURRENT INTERFACE CONDITIONS



Note: Actual current flow direction shown.

MPR-210

Metallization and Pad Layout



DIE SIZE 0.081" X 0.096"

DEFINITION OF FUNCTIONAL TERMS

- A, B, C, D** The three select inputs to the decoder/demultiplexer.
- \bar{E}_1, \bar{E}_2** The active LOW enable inputs. A HIGH on either the \bar{E}_1 or \bar{E}_2 input forces all decoded functions to be disabled.
- E₃, E₄** The active HIGH enable inputs. A LOW on either E₃ or E₄ inputs forces all the decoded functions to be inhibited.
- POL** Polarity Control. A LOW on the polarity control input forces the output to the active-HIGH state while a HIGH on the polarity control input forces the Y outputs to the active-LOW state.
- \bar{OE}_1, \bar{OE}_2** Output Enable. When both the \bar{OE}_1 and \bar{OE}_2 inputs are LOW, the Y outputs are enabled. If either \bar{OE}_1 or \bar{OE}_2 input is HIGH, the Y outputs are in the high impedance state.
- Y_i** The eight outputs for the decoder/demultiplexer.

**GUARANTEED LOADING RULES
OVER OPERATING RANGE (In Unit Loads)**

A Low-Power Schottky TTL Unit Load is defined as 20μA measured at 2.7V HIGH and -0.36mA measured at 0.4V LOW.

| Pin No.'s | Input/Output | Input Load | Output HIGH | | Output LOW | |
|-----------|-----------------|------------|-------------|-----------|------------|-----------|
| | | | MIL COM'L | MIL COM'L | MIL COM'L | MIL COM'L |
| 1 | Y ₂ | — | 50 | 130 | 33 | 33 |
| 2 | Y ₁ | — | 50 | 130 | 33 | 33 |
| 3 | Y ₀ | — | 50 | 130 | 33 | 33 |
| 4 | \bar{OE}_1 | 1.0 | — | — | — | — |
| 5 | \bar{OE}_2 | 1.0 | — | — | — | — |
| 6 | A | 1.0 | — | — | — | — |
| 7 | B | 1.0 | — | — | — | — |
| 8 | Y ₅ | — | 50 | 130 | 33 | 33 |
| 9 | Y ₆ | — | 50 | 130 | 33 | 33 |
| 10 | GND | — | — | — | — | — |
| 11 | Y ₇ | — | 50 | 130 | 33 | 33 |
| 12 | POL | 1.0 | — | — | — | — |
| 13 | E ₄ | 1.0 | — | — | — | — |
| 14 | E ₃ | 1.0 | — | — | — | — |
| 15 | \bar{E}_2 | 1.0 | — | — | — | — |
| 16 | \bar{E}_1 | 1.0 | — | — | — | — |
| 17 | C | 1.0 | — | — | — | — |
| 18 | Y ₄ | — | 50 | 130 | 33 | 33 |
| 19 | Y ₃ | — | 50 | 130 | 33 | 33 |
| 20 | V _{CC} | — | — | — | — | — |

FUNCTION TABLE

| FUNCTION | INPUTS | | | | | | | | | | OUTPUTS | | | | | | | |
|--------------------|--------------|--------------|-------------|-------------|----------------|----------------|-----|---|---|---|----------------|----------------|----------------|----------------|----------------|----------------|----------------|----------------|
| | \bar{OE}_1 | \bar{OE}_2 | \bar{E}_1 | \bar{E}_2 | E ₃ | E ₄ | POL | C | B | A | Y ₀ | Y ₁ | Y ₂ | Y ₃ | Y ₄ | Y ₅ | Y ₆ | Y ₇ |
| High Impedance | H | X | X | X | X | X | X | X | X | X | Z | Z | Z | Z | Z | Z | Z | Z |
| | X | H | X | X | X | X | X | X | X | X | Z | Z | Z | Z | Z | Z | Z | Z |
| Disable | L | L | H | X | X | X | L | X | X | X | L | L | L | L | L | L | L | L |
| | L | L | H | X | X | X | H | X | X | X | H | H | H | H | H | H | H | H |
| | L | L | X | H | X | X | L | X | X | X | L | L | L | L | L | L | L | L |
| | L | L | X | X | L | X | L | X | X | X | H | H | H | H | H | H | H | H |
| | L | L | X | X | X | L | L | X | X | X | L | L | L | L | L | L | L | L |
| | L | L | X | X | X | L | L | X | X | X | L | L | L | L | L | L | L | L |
| | L | L | X | X | X | L | H | X | X | X | H | H | H | H | H | H | H | H |
| | L | L | X | X | X | L | H | X | X | X | H | H | H | H | H | H | H | H |
| Active-HIGH Output | L | L | L | L | H | H | L | L | L | L | H | L | L | L | L | L | L | L |
| | L | L | L | L | H | H | L | L | L | L | H | L | L | L | L | L | L | L |
| | L | L | L | L | H | H | L | L | L | L | H | L | L | L | L | L | L | L |
| | L | L | L | L | H | H | L | L | L | L | H | L | L | L | L | L | L | L |
| | L | L | L | L | H | H | L | L | L | L | H | L | L | L | L | L | L | L |
| | L | L | L | L | H | H | L | L | L | L | H | L | L | L | L | L | L | L |
| | L | L | L | L | H | H | L | L | L | L | H | L | L | L | L | L | L | L |
| | L | L | L | L | H | H | L | L | L | L | H | L | L | L | L | L | L | L |
| Active-LOW Output | L | L | L | L | H | H | H | L | L | L | L | H | H | H | H | H | H | H |
| | L | L | L | L | H | H | H | L | L | L | H | H | H | H | H | H | H | H |
| | L | L | L | L | H | H | H | L | L | L | H | H | H | H | H | H | H | H |
| | L | L | L | L | H | H | H | L | L | L | H | H | H | H | H | H | H | H |
| | L | L | L | L | H | H | H | L | L | L | H | H | H | H | H | H | H | H |
| | L | L | L | L | H | H | H | L | L | L | H | H | H | H | H | H | H | H |
| | L | L | L | L | H | H | H | L | L | L | H | H | H | H | H | H | H | H |
| | L | L | L | L | H | H | H | L | L | L | H | H | H | H | H | H | H | H |

H = HIGH L = LOW X = Don't Care Z = High Impedance

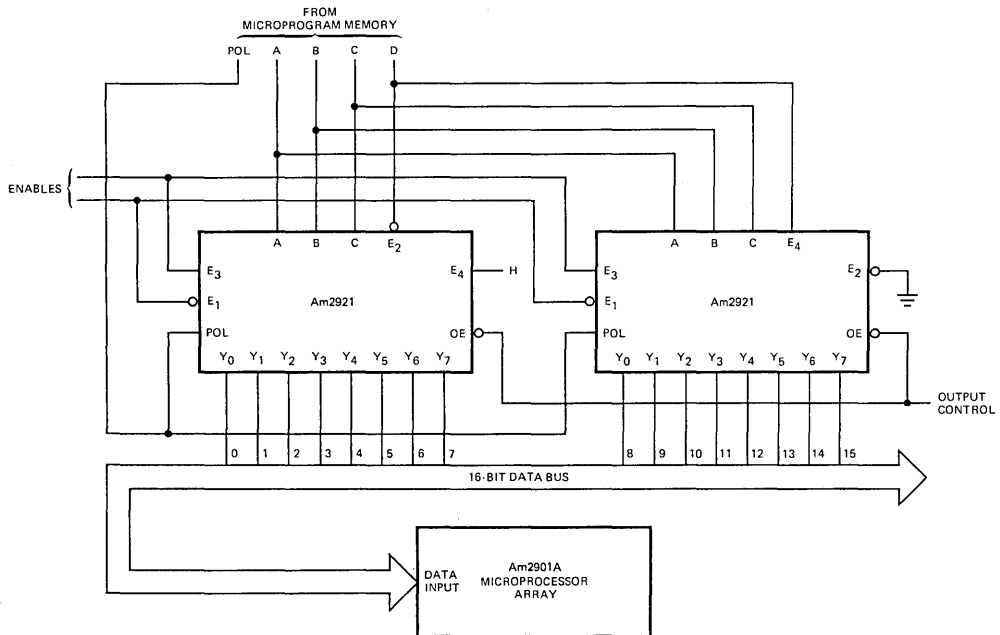
ORDERING INFORMATION

Order the part number according to the table below to obtain the desired package, temperature range, and screening level.

| Order Number | Package Type (Note 1) | Temperature Range (Note 2) | Screening Level (Note 3) |
|--------------|--------------------------|-------------------------------|--|
| AM2921PC | P-20 | C | C-1 |
| AM2921DC | D-20 | C | C-1 |
| AM2921DC-B | D-20 | C | B-1 |
| AM2921DM | D-20 | M | C-3 |
| AM2921DM-B | D-20 | M | B-3 |
| AM2921FM | F-20 | M | C-3 |
| AM2921FM-B | F-20 | M | B-3 |
| AM2921XC | Dice | C | } Visual inspection to MIL-STD-883 Method 2010B. |
| AM2921XM | Dice | M | |

- Notes: 1. P = Molded DIP, D = Hermetic DIP, F = Flat Pak. Number following letter is number of leads. See Appendix B for detailed outline. Where Appendix B contains several dash numbers, any of the variations of the package may be used unless otherwise specified.
 2. C = 0°C to +70°C, M = -55°C to +125°C.
 3. See Appendix A for details of screening. Levels C-1 and C-3 conform to MIL-STD-883, Class C. Level B-3 conforms to MIL-STD-883, Class B.

APPLICATIONS



MPR-211

Two Am2921's can be used to perform a bit set, bit clear, bit toggle or bit test on any of sixteen bits in a microprocessor system. Examples of the operations performed are as follows:

| Microprogram Control | | | | | 16-Bit Field From Am2921 | | | | | | | | | | | | | | | | Am2901A ALU Function | Bit Function Performed On Selected Register | |
|----------------------|---|---|---|-----|--------------------------|---|---|---|---|---|---|---|---|---|----|----|----|----|----|----|----------------------|---|------------|
| D | C | B | A | POL | 0 | 1 | 2 | 3 | 4 | 5 | 6 | 7 | 8 | 9 | 10 | 11 | 12 | 13 | 14 | 15 | | | |
| 0 | 0 | 1 | 1 | 0 | 0 | 0 | 0 | 1 | 0 | 0 | 0 | 0 | 0 | 0 | 0 | 0 | 0 | 0 | 0 | 0 | 0 | OR | BIT SET |
| 1 | 1 | 0 | 0 | 0 | 0 | 0 | 0 | 0 | 0 | 0 | 0 | 0 | 0 | 0 | 0 | 0 | 1 | 0 | 0 | 0 | 0 | AND | BIT TEST |
| 0 | 1 | 1 | 0 | 1 | 1 | 1 | 1 | 1 | 1 | 0 | 1 | 1 | 1 | 1 | 1 | 1 | 1 | 1 | 1 | 1 | 1 | AND | BIT CLEAR |
| 1 | 0 | 1 | 0 | 1 | 1 | 1 | 1 | 1 | 1 | 1 | 1 | 1 | 1 | 0 | 1 | 1 | 1 | 1 | 1 | 1 | 1 | EX NOR | BIT TOGGLE |
| 1 | 0 | 1 | 0 | 0 | 0 | 0 | 0 | 0 | 0 | 0 | 0 | 0 | 0 | 0 | 1 | 0 | 0 | 0 | 0 | 0 | 0 | EX OR | BIT TOGGLE |

Note: Bit test is performed using F = 0 output of Am2901A.

Am2922

Eight Input Multiplexer With Control Register

DISTINCTIVE CHARACTERISTICS

- High speed eight-input multiplexer
- On-chip Multiplexer Select and Polarity Control Register
- Output polarity control for inverting or non-inverting output
- Common register enable
- Asynchronous register clear
- Three-state output for expansion
- AC parameters specified over operating temperature and power supply ranges.
- 100% product assurance testing to MIL-STD-883 requirements

FUNCTIONAL DESCRIPTION

The Am2922 is an eight-input Multiplexer with Control Register. The device features high speed from clock to output and is intended for use in high speed computer control units or structured state machine designs.

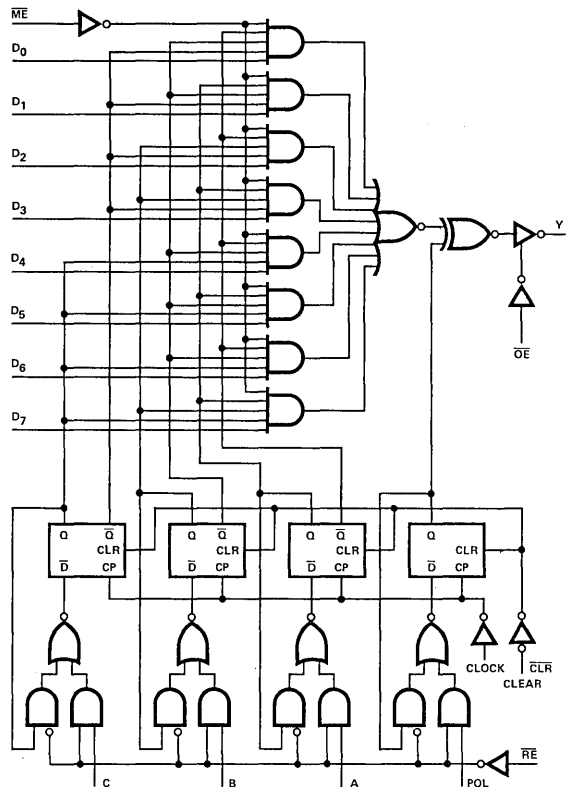
The Am2922 contains an internal register which holds the A, B and C multiplexer select lines as well as the POL (Polarity) control bit. When the Register Enable input (\overline{RE}) is LOW, new data is entered into the register on the LOW-to-HIGH transition of the clock. When \overline{RE} is HIGH, the register retains its current data. An asynchronous clear input (CLR) is used to reset the register to a logic LOW level.

The A, B and C register outputs select one of eight multiplexer data inputs. A HIGH on the Polarity Control flip-flop output causes a true (non-inverting) multiplexer output, and a LOW causes the output to be inverted. In a computer control unit, this allows testing of either true or complemented flag data at the microprogram sequencer test input.

An active LOW Multiplexer Enable input (\overline{ME}) allows the selected multiplexer input to be passed to the output. When \overline{ME} is HIGH, the output is determined only by the Polarity Control bit.

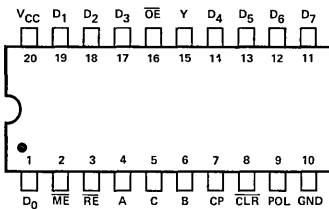
The Am2922 also features a three-state Output Enable control (\overline{OE}) for expansion. When \overline{OE} is LOW, the output is enabled. When \overline{OE} is HIGH, the output is in the high impedance state.

LOGIC DIAGRAM



MPR-213

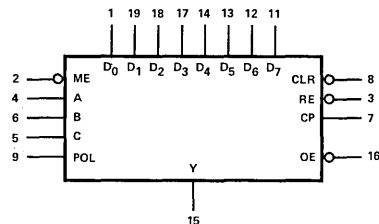
CONNECTION DIAGRAM Top View



Note: Pin 1 is marked for orientation.

MPR-212

LOGIC SYMBOL



V_{CC} = Pin 20
GND = Pin 10

MPR-214

ELECTRICAL CHARACTERISTICS

The Following Conditions Apply Unless Otherwise Specified:

COM'L $T_A = 0^\circ\text{C to } +70^\circ\text{C}$ $V_{CC} = 5.0\text{V} \pm 5\%$ MIN. = 4.75 V MAX. = 5.25 VMIL $T_A = -55^\circ\text{C to } +125^\circ\text{C}$ $V_{CC} = 5.0\text{V} \pm 10\%$ MIN. = 4.50 V MAX. = 5.50 V**DC CHARACTERISTICS OVER OPERATING RANGE**

| Parameters | Description | Test Conditions (Note 1) | | Min. | Typ. (Note 2) | Max. | Units |
|------------|---|--|--|------|------------------|-------|---------------|
| V_{OH} | Output HIGH Voltage | $V_{CC} = \text{MIN.}$ $V_{IN} = V_{IH} \text{ or } V_{IL}$ | MIL, $I_{OH} = -2.0\text{mA}$ | 2.4 | 3.4 | | Volts |
| | | | COM'L, $I_{OH} = -6.5\text{mA}$ | 2.4 | 3.2 | | |
| V_{OL} | Output LOW Voltage | $V_{CC} = \text{MIN.}$ $V_{IN} = V_{IH} \text{ or } V_{IL}$ | $I_{OL} = 4.0\text{mA}$ | | | 0.4 | Volts |
| | | | $I_{OL} = 8.0\text{mA}$ | | | 0.45 | |
| | | | $I_{OL} = 20\text{mA}$ | | | 0.5 | |
| V_{IH} | Input HIGH Level | Guaranteed input logical HIGH voltage for all inputs | | 2.0 | | | Volts |
| V_{IL} | Input LOW Level | Guaranteed input logical LOW voltage for all inputs | MIL | | | 0.7 | Volts |
| | | | COM'L | | | 0.8 | |
| V_I | Input Clamp Voltage | $V_{CC} = \text{MIN.}, I_{IN} = -18\text{mA}$ | | | | -1.5 | Volts |
| I_{IL} | Input LOW Current | $V_{CC} = \text{MAX.},$ $V_{IN} = 0.4\text{V}$ | $\overline{ME}, \overline{OE}, \overline{RE}$ | | | -0.72 | mA |
| | | | $D_N, A, B, C, \text{POL}, \text{CP}, \overline{\text{CLR}}$ | | | -2.0 | |
| I_{IH} | Input HIGH Current | $V_{CC} = \text{MAX.},$ $V_{IN} = 2.7\text{V}$ | $\overline{ME}, \overline{OE}, \overline{RE}$ | | | 40 | μA |
| | | | $D_N, A, B, C, \text{POL}, \text{CP}, \overline{\text{CLR}}$ | | | 50 | |
| I_I | Input HIGH Current | $V_{CC} = \text{MAX.},$ $V_{IN} = 5.5\text{V}$ | $\overline{ME}, \overline{OE}, \overline{RE}$ | | | 0.1 | mA |
| | | | $D_N, A, B, C, \text{POL}, \text{CP}, \overline{\text{CLR}}$ | | | 1.0 | |
| I_{OZ} | Off-State (High-Impedance) Output Current | $V_{CC} = \text{MAX.}$ | $V_O = 0.4\text{V}$ | | | -50 | μA |
| | | | $V_O = 2.4\text{V}$ | | | 50 | |
| I_{SC} | Output Short Circuit Current (Note 3) | $V_{CC} = \text{MAX.}$ | | -40 | | -100 | mA |
| I_{CC} | Power Supply Current (Note 4) | $V_{CC} = \text{MAX.}$ | | | 97 | 148 | mA |

Notes: 1. For conditions shown as MIN. or MAX., use the appropriate value specified under Electrical Characteristics for the applicable device type.

2. Typical limits are at $V_{CC} = 5.0\text{V}$, 25°C ambient and maximum loading.

3. Not more than one output should be shorted at a time. Duration of the short circuit test should not exceed one second.

4. $D_N, A, B, C, \text{POL}, \overline{ME}$ at Gnd. All other inputs and outputs open. Measured after a momentary ground then 4.5V applied to clock input.**MAXIMUM RATINGS** (Above which the useful life may be impaired)

| | |
|---|--------------------------|
| Storage Temperature | -65°C to +150°C |
| Temperature (Ambient) Under Bias | -55°C to +125°C |
| Supply Voltage to Ground Potential Continuous | -0.5V to +7.0V |
| DC Voltage Applied to Outputs for High Output State | -0.5V to + V_{CC} max. |
| DC Input Voltage | -0.5V to +5.5V |
| DC Output Current, Into Outputs | 30mA |
| DC Input Current | -30mA to +5.0mA |

Am2922

SWITCHING CHARACTERISTICS

($T_A = +25^\circ\text{C}$, $V_{CC} = 5.0\text{V}$)

| Parameters | Description | Min. | Typ. | Max. | Units | Test Conditions |
|------------|-----------------------|------|------|------|-------|--|
| t_{PLH} | Clock to Y POL – LOW | | 21 | 32 | ns | $C_L = 15\text{pF}$ $R_L = 2.0\text{k}\Omega$ |
| t_{PHL} | | | 19 | 29 | | |
| t_{PLH} | Clock to Y POL – HIGH | | 16 | 24 | ns | |
| t_{PHL} | | | 19 | 29 | | |
| t_{PLH} | D_n to Y | | 10 | 16 | ns | |
| t_{PHL} | | | 13 | 19 | | |
| t_{PLH} | CLR to Y | | 22 | 33 | ns | |
| t_{PHL} | | | 22 | 33 | | |
| t_{PLH} | ME to Y | | 12 | 18 | ns | |
| t_{PHL} | | | 12 | 18 | | |
| t_{ZL} | OE to Y | | 8 | 14 | ns | |
| t_{ZH} | | | 8 | 14 | | |
| t_{LZ} | | | 10 | 17 | ns | |
| t_{HZ} | | | 10 | 17 | | |
| t_s | A, B, C, POL | 10 | | | ns | $C_L = 15\text{pF}$ $R_L = 2.0\text{k}\Omega$ |
| | CE | 15 | | | | |
| t_s | CLR Recovery | 5 | | | ns | |
| t_{pw} | Clock | 10 | | | ns | |
| | Clear (LOW) | 10 | | | | |
| t_h | A, B, C, POL, CE | 0 | | | ns | |

SWITCHING CHARACTERISTICS OVER OPERATING RANGE*

| Parameters | Description | Am2922PC, DC | | Am2922DM, FM | | Units | Test Conditions |
|------------|-------------------|---|------|---|------|-------|---|
| | | $T_A = 0^\circ\text{C to } +70^\circ\text{C}$ $V_{CC} = 5.0\text{V} \pm 5\%$ | | $T_A = -55^\circ\text{C to } +125^\circ\text{C}$ $V_{CC} = 5.0\text{V} \pm 10\%$ | | | |
| | | Min. | Max. | Min. | Max. | | |
| t_{PLH} | Clock to Y, POL-L | | 40 | | 47 | ns | $C_L = 50\text{pF}$ $R_L = 2.0\text{k}\Omega$ |
| t_{PHL} | | | | 34 | | | |
| t_{PLH} | Clock to Y, POL-H | | 29 | | 33 | ns | |
| t_{PHL} | | | | 35 | | | |
| t_{PLH} | D_N to Y | | 19 | | 21 | ns | |
| t_{PHL} | | | | 22 | | | |
| t_{PLH} | CLR to Y | | 39 | | 45 | ns | |
| t_{PHL} | | | | 39 | | | |
| t_{PLH} | ME to Y | | 22 | | 26 | ns | |
| t_{PHL} | | | | 19 | | | |
| t_{ZL} | OE to Y | | 19 | | 24 | ns | |
| t_{ZH} | | | | 22 | | | 29 |
| t_{LZ} | OE to Y | | 24 | | 30 | ns | $C_L = 5.0\text{pF}$ $R_L = 2.0\text{k}\Omega$ |
| t_{HZ} | | | | 24 | | | |
| t_s | A, B, C POL | 11 | | 12 | | ns | $C_L = 50\text{pF}$ $R_L = 2.0\text{k}\Omega$ |
| | CE | 18 | | 20 | | | |
| t_s | CLR Recovery | 6 | | 7 | | ns | |
| t_{pw} | Clock | 11 | | 12 | | ns | |
| | Clear (LOW) | 11 | | 12 | | | |
| t_h | A, B, C, POL, CE | 3 | | 3 | | ns | |

*AC performance over the operating temperature range is guaranteed by testing defined in Group A, Subgroup 9.

DEFINITION OF FUNCTIONAL TERMS

| | | | |
|----------------|---|------------------------------------|--|
| A, B, C | Multiplexer Select Lines. One of eight multiplexer data inputs is selected by the A, B and C register outputs. | CLR | Clear. A LOW asynchronously resets the Multiplexer Select and Polarity Control Register. |
| POL | Polarity Control Bit. A HIGH register output causes a true (non-inverted) output and a LOW causes the output to be inverted. | D₁-D₈ | Data Inputs to the 8-input multiplexer. |
| ME | Multiplexer Enable. When LOW, it enabled the 8-input multiplexer. When HIGH, the Y output is determined by only the Polarity Control bit. | CP | Clock Pulse. When RE is LOW, the Multiplexer Select and Polarity Control Register changes state on the LOW-to-HIGH transition of CP. |
| RE | Register Enable. When LOW, the Multiplexer Select and Polarity Control Register is enabled for loading. When HIGH, the register holds its current data. | OE | Output Enable. When LOW, the output is enabled. When HIGH, the output is in the high impedance state. |
| | | Y | The chip output. |

FUNCTION TABLE

| MODE | INPUTS | | | | | | | INTERNAL | | | | INPUTS | | OUTPUT |
|--------------------------------|--------|---|---|-----|----|-----|----|----------|----|----|------|--------|----|--|
| | C | B | A | POL | RE | CLR | CP | QC | QB | QA | QPOL | ME | OE | Y |
| Clear | X | X | X | X | X | L | X | L | L | L | L | H | L | H |
| | ↓ | ↓ | ↓ | ↓ | ↓ | ↓ | ↓ | ↓ | ↓ | ↓ | ↓ | L | L | \bar{D}_0 |
| | | | | | | | | | | | | X | H | Z |
| Reg. Disable | X | X | X | X | H | H | X | NC | NC | NC | NC | L | L | D _i /D _i (Note 1) |
| Select (Multiplex) | L | L | L | L/H | L | H | ↑ | L | L | L | L/H | L | L | \bar{D}_0/D_0 |
| | L | L | H | ↓ | ↓ | ↓ | ↓ | L | L | H | ↓ | ↓ | ↓ | \bar{D}_1/D_1 |
| | L | H | L | ↓ | ↓ | ↓ | ↓ | L | H | L | ↓ | ↓ | ↓ | \bar{D}_2/D_2 |
| | L | H | H | ↓ | ↓ | ↓ | ↓ | L | H | H | ↓ | ↓ | ↓ | \bar{D}_3/D_3 |
| | H | L | L | ↓ | ↓ | ↓ | ↓ | H | L | L | ↓ | ↓ | ↓ | \bar{D}_4/D_4 |
| | H | L | H | ↓ | ↓ | ↓ | ↓ | H | L | H | ↓ | ↓ | ↓ | \bar{D}_5/D_5 |
| | H | H | L | ↓ | ↓ | ↓ | ↓ | H | H | L | ↓ | ↓ | ↓ | \bar{D}_6/D_6 |
| | H | H | H | ↓ | ↓ | ↓ | ↓ | H | H | H | ↓ | ↓ | ↓ | \bar{D}_7/D_7 |
| Multiplexer Disable | X | X | X | X | X | H | X | X | X | X | L | H | L | H |
| | ↓ | ↓ | ↓ | ↓ | ↓ | ↓ | ↓ | X | X | X | H | H | L | L |
| Tri-state Output Disable | ↓ | ↓ | ↓ | ↓ | ↓ | ↓ | ↓ | X | X | X | X | X | H | Z |

NC = No Change
X = Don't Care

Note 1: The output will follow the selected input, D_i, or its complement depending on the state of the POL flip-flop.

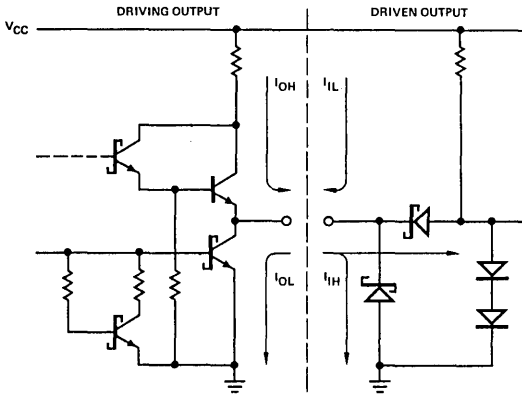
ORDERING INFORMATION

Order the part number according to the table below to obtain the desired package, temperature range, and screening level.

| Order Number | Package Type (Note 1) | Temperature Range (Note 2) | Screening Level (Note 3) |
|--------------|--------------------------|-------------------------------|--|
| AM2922PC | P-20 | C | C-1 |
| AM2922DC | D-20 | C | C-1 |
| AM2922DC-B | D-20 | C | B-1 |
| AM2922DM | D-20 | M | C-3 |
| AM2922DM-B | D-20 | M | B-3 |
| AM2922FM | F-20 | M | C-3 |
| AM2922FM-B | F-20 | M | B-3 |
| AM2922XC | Dice | C | Visual inspection to MIL-STD-883 Method 2010B. |
| AM2922XM | Dice | M | |

- Notes: 1. P = Molded DIP, D = Hermetic DIP, F = Flat Pak. Number following letter is number of leads. See Appendix B for detailed outline. Where Appendix B contains several dash numbers, any of the variations of the package may be used unless otherwise specified.
2. C = 0°C to +70°C, M = -55°C to +125°C.
3. See Appendix A for details of screening. Levels C-1 and C-3 conform to MIL-STD-883, Class C. Level B-3 conforms to MIL-STD-883, Class B.

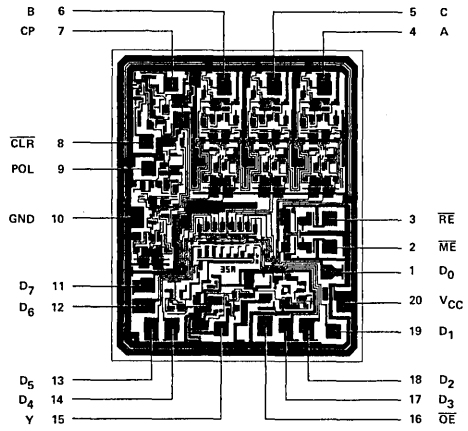
LOW-POWER SCHOTTKY INPUT/OUTPUT
CURRENT INTERFACE CONDITIONS



Note: Actual current flow direction shown.

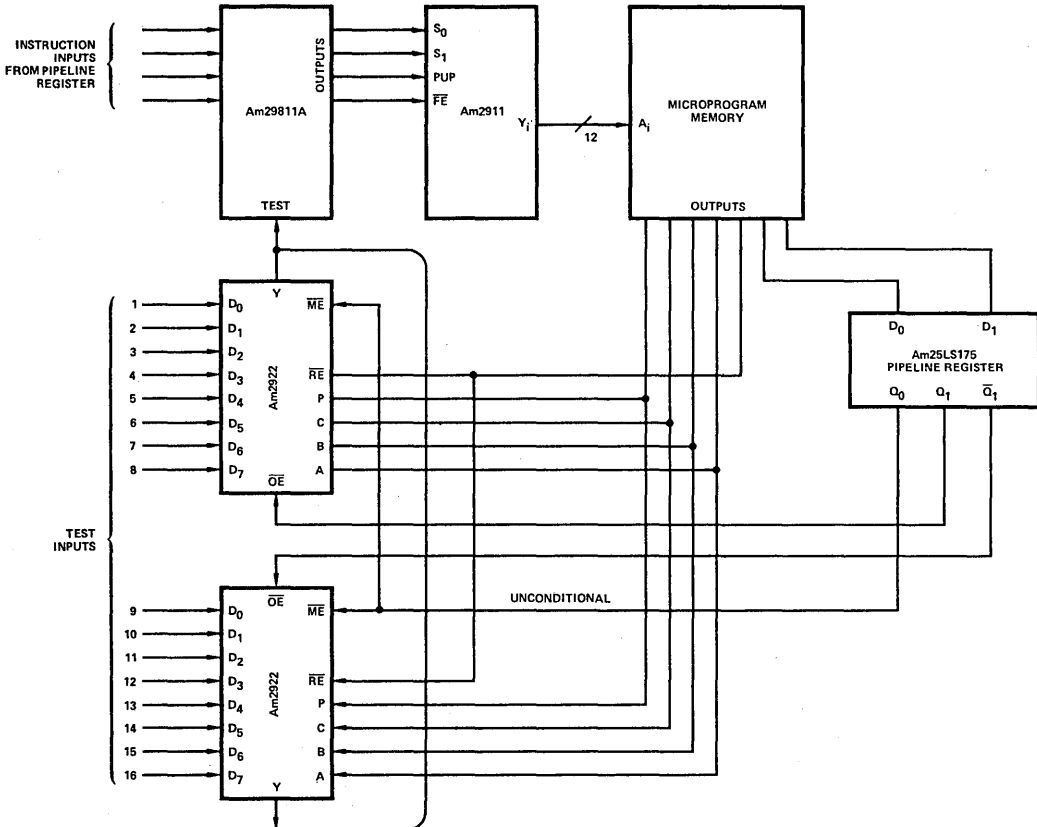
MPR-215

Metallization and Pad Layout



DIE SIZE 0.080" X 0.099"

APPLICATION



A versatile one-of-sixteen Test Select with Polarity Control and Test Select Hold.

MPR-216

Am2925

System Clock Generator and Driver

ADVANCED INFORMATION

DISTINCTIVE CHARACTERISTICS

- Single chip clock generator and driver
- Four different clock output waveforms for Am2900 and other bipolar and MOS systems
- Crystal controlled for stable system operation
- Oscillator to 31MHz – oscillator output for external system timing
- Clock halt, single-step and wait controls
- Variable cycle lengths – 1-of-8 different cycle lengths may be programmed
- 20-Pin package
- 100% product assurance screening to MIL-STD-883 requirements

FUNCTIONAL DESCRIPTION

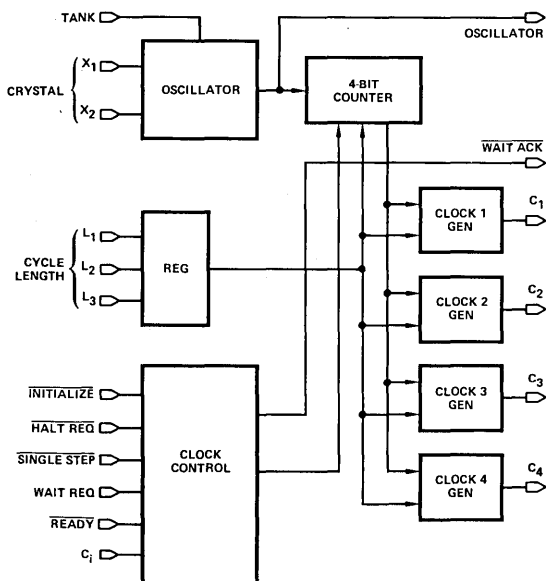
The Am2925 is a single-chip general purpose clock generator/driver. It is controlled by a crystal, selected by the designer, and is microprogrammable to meet a variety of system speed requirements. The Am2925 generates four different clock output waveforms tailored to meet the needs of Am2900 and other bipolar and MOS microprocessor based systems. Also, variable cycle lengths may be generated under microprogram control. One-of-eight different cycle lengths may be microprogrammed using the Cycle Length inputs L1, L2, and L3.

The Am2925 oscillator runs at frequencies up to 31MHz. An input pin is provided for a tank circuit which allows the use of overtone mode crystals. A buffered oscillator output is provided for external system timing.

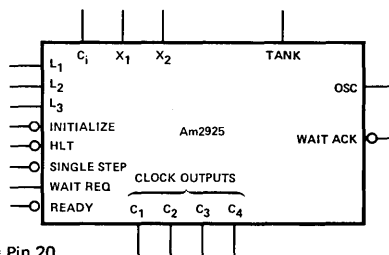
Clock halt, single-step and wait controls are provided for the Am2925. The HALT REQ input halts the clocks; the clocks resume when the HALT REQ input is deactivated. The SINGLE-STEP input, which operates only when the clocks are halted, generates the clocks for a single cycle. The WAIT REQ input stops the clocks and puts the Am2925 in a "wait" state. In this state, the clocks remain stopped until an asynchronous READY input signal is received. The WAIT ACK output indicates when the Am2925 is in the "wait" state. The WAIT REQ and READY inputs are pulse sensitive and are overridden by the HALT REQ input.

One-of-eight cycle lengths may be microprogrammed using the L1, L2, and L3 inputs. There are four clock output waveforms for each of the eight possible cycle lengths.

LOGIC DIAGRAM



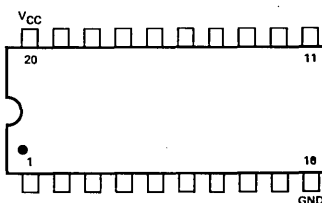
LOGIC SYMBOL



V_{CC} = Pin 20
GND = Pin 10

MPR-218

CONNECTION DIAGRAM Top View



Note: Pin 1 is marked for orientation.

MPR-217

MPR-219

Am2930

Program Control Unit

DISTINCTIVE CHARACTERISTICS

- Powerful, 4-bit slice address controller for memories
Useful with both main memory and microprogram memory
Expandable to generate any address length
- Executes 32 instructions
Automatic generation of address and update of program counter for fetch cycles, branch cycles, and subroutine call and return
- Contains cascadable full adder
Twelve different relative address modes are provided, including jump-to-subroutine relative and return-from-subroutine relative
- Built-in condition code input
Sixteen instructions are dependent on external condition control
- Seventeen-level push/pop stack
On-chip storage of subroutine return addresses nested up to 17 levels deep
- Separate incremter for program counter
A relative address may be computed and PC may be incremented by one on a single cycle

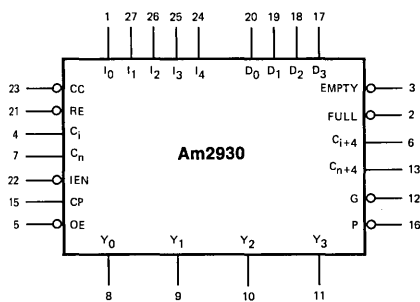
GENERAL DESCRIPTION

The Am2930 is a four-bit wide Program Control Unit intended to perform machine level addressing functions, although the device can also be used as a microprogram sequencer. Four Am2930's may be interconnected to generate a 16-bit address (64K words). The Am2930 contains a program counter, a subroutine stack, an auxiliary register, and a full adder for computing relative addresses.

The Am2930 performs five types of instructions. These are: 1) Unconditional Fetch; 2) Conditional Jump; 3) Conditional Jump-to-Subroutine; 4) Conditional Return-from-Subroutine; and 5) miscellaneous instructions.

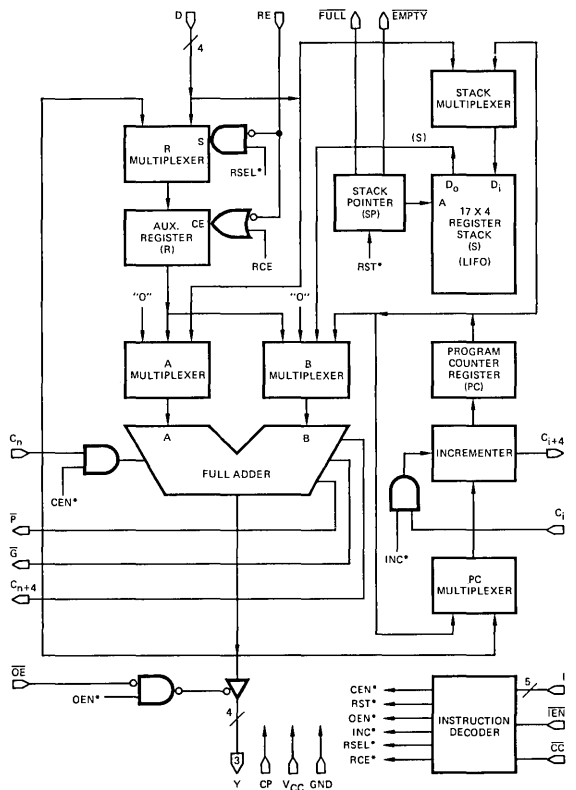
There are four sources of data for the adder which generates the Address outputs (Y₀-Y₃). These are: 1) the Program Counter (PC); 2) the Stack (S); 3) the auxiliary Register (R); and 4) the Direct inputs (D). Under control of the Instruction inputs (I₀-I₄), the multiplexers at the adder inputs allow various combinations of these terms to be generated at the three-state Y address outputs. The instruction lines also control the updating of the program counter and the auxiliary register. A condition code input is provided for conditional instructions.

LOGIC SYMBOL



V_{CC} = Pin 28
GND = Pin 14

BLOCK DIAGRAM



MPR-220

MPR-221

ARCHITECTURE OF THE Am2930

The Am2930 is a bipolar Program Control Unit intended for use in high-speed microprocessor applications. The device is a cascadable, four-bit slice such that three devices allow addressing of up to 4K words of memory and four devices allow addressing of up to 64K words of memory.

As shown in the Block Diagram, the device consists of the following:

- 1) A full adder with input multiplexers
- 2) A Program Counter Register with an incrementer and an input multiplexer
- 3) A 17 x 4 Last-In, First-Out (LIFO) stack consisting of an input multiplexer, a 17 x 4 RAM, and a Stack Pointer
- 4) An auxiliary register with an input multiplexer
- 5) An instruction decoder
- 6) Four 3-state output buffers on the address outputs

The following paragraphs describe each of these blocks in detail.

Full Adder

The Full Adder is a binary device with full lookahead carry logic for high-speed addition and provision is made for further lookahead by including both carry propagate (\overline{P}) and carry generate (\overline{G}) outputs. In slower systems, the carry output (C_{n+4}) can be connected to the next higher C_n to provide ripple block arithmetic. The carry input to the adder (C_n) is internally inhibited during those instructions which do not require an addition to be performed. For these instructions, the data is passed directly through the adder, independent of the state of C_n .

The multiplexers at the A and B inputs of the adder are controlled by the Instruction decoder which selects the appropriate adder inputs for the selected instruction.

Program Counter

The program counter consists of a register preceded by an incrementer. The Program Counter Register (PC) is a four-bit, edge-triggered, D-type register which is loaded from the incrementer output on the LOW-to-HIGH transition of the clock input (CP) at the end of every instruction.

The incrementer utilizes full lookahead logic for high speed. For cascading devices, the carry output of the incrementer (C_{i+4}) is connected to the incrementer carry input (C_i) of the next higher device. The output of the incrementer, which is loaded into the PC, is equal to the incrementer input plus C_i . Therefore, it is possible to control the entire cascaded incrementer from the C_i input of the least significant device; a LOW on the C_i input of the least significant device will simply pass the data from the multiplexer output to the inputs of PC; a HIGH will cause the outputs of the multiplexer to be incremented before they are loaded into PC. During three instructions (unconditional Hold and conditional Hold and Suspend when the \overline{CC} input is LOW), the C_i input is internally inhibited; therefore, data is passed from the multiplexer output to the PC without incrementing. The multiplexer selects the input to the incrementer from either PC or the output of the Full Adder, depending upon the instruction being executed. During the Jump, Jump-to-Subroutine, and Return instructions, the multiplexer chooses the Full Adder outputs as the input to the incrementer if the \overline{CC} input is LOW. The Full Adder output is also selected for the Reset instruction. For all other instructions, the PC is selected as the input to the incrementer.

17 x 4 LIFO Stack

The 17 x 4 LIFO stack consists of a multiplexer, a 17 x 4 RAM, and a Stack Pointer (SP) which address the words in the RAM.

The SP always points to the last word written into the RAM (Top of the Stack). The Top of the Stack (S) is available at the output of the RAM.

Data is pushed onto the Top of the Stack from either D or PC. It is written into memory location SP+1. The SP is incremented on the LOW-to-HIGH clock transition at the end of the cycle so that it still points to the last data written into the RAM.

For a Pop operation, the contents of the RAM are not changed, but the SP is decremented at the end of the cycle so that it then points to the new Top of the Stack.

The SP is an up/down counter which changes state on the LOW-to-HIGH transition of the Clock input. It is internally prevented from incrementing when the stack is full and from decrementing when the Stack is empty. When the Stack is full, the RAM write circuitry is also inhibited.

The active LOW Empty output (\overline{EMPTY}) is LOW when the stack is empty (after the Reset instruction and after the last word has been Popped from the stack); the active LOW Full output (\overline{FULL}) is LOW either when the stack is full or when the current instruction being executed will fill the stack (during and after the 17th Push).

Auxiliary Register (R)

The Auxiliary Register (R) can be loaded from either the Direct inputs (D) or the output of the Full Adder. It is loaded on the LOW-to-HIGH transition of the clock input (CP) if the Register Enable input (\overline{RE}) is LOW or if the Instruction inputs call for it to be loaded. When \overline{RE} is LOW, R is loaded from the D inputs unless the Instruction dictates that R be loaded from the output of the Full Adder.

Instruction Decoder

The Instruction Decoder generates the signals necessary to establish the data paths and to enable the loading of the PC, R, SP, and RAM.

For unconditional instructions, the \overline{CC} input is not utilized; it may be either HIGH or LOW. For conditional instructions, if \overline{CC} is LOW, the condition is met and the conditional operation is performed; if \overline{CC} is HIGH, a Fetch PC is performed.

Output Buffers

The Address outputs (Y_0 - Y_3) are three-state drivers which may be disabled either under Instruction control or by a HIGH on the Output Enable input (\overline{OE}). Disabling the Y outputs does not affect the execution of instructions inside the Am2930.

Instruction Enable

When HIGH, the Instruction Enable input (\overline{IEN}) forces PC and SP into the hold mode and disables the write circuitry to the RAM. The auxiliary register (R) is under control of the \overline{RE} input when IEN is HIGH, independent of the state of the Instruction inputs. The \overline{IEN} input does not affect the combinatorial data paths or Y outputs in the Am2930. The data paths are selected by the Instruction and \overline{CC} inputs and are not affected by \overline{IEN} .

TABLE I — Am2930 INSTRUCTION SET

| Instruction Number | I ₄ | I ₃ | I ₂ | I ₁ | I ₀ | CC | IEN | Instruction | Y ₀ -Y ₃ | Next State (after CP ↓) (Note 3) | | | | |
|--------------------|----------------|----------------|----------------|----------------|----------------|----|-----|-----------------------------|--------------------------------|-------------------------------------|--------------------|--------------------|---------------|-------|
| | | | | | | | | | | PC | R | | RAM | SP |
| | | | | | | | | | | | RE = L | RE = H | | |
| | X | X | X | X | X | X | H | Instruction Disable | Note 1 | — | D | — | — | — |
| 0 | L | L | L | L | L | X | L | RESET | "0" | "0"+C _i | D | — | — | Reset |
| 1 | L | L | L | L | H | X | L | FETCH PC | PC | PC+C _i | D | — | — | — |
| 2 | L | L | L | H | L | X | L | FETCH R | R | PC+C _i | D | — | — | — |
| 3 | L | L | L | H | H | X | L | FETCH D | D | PC+C _i | D | — | — | — |
| 4 | L | L | H | L | L | X | L | FETCH R+D | R+D+C _n | PC+C _i | D | — | — | — |
| 5 | L | L | H | L | H | X | L | FETCH PC+D | PC+D+C _n | PC+C _i | D | — | — | — |
| 6 | L | L | H | H | L | X | L | FETCH PC+R | PC+R+C _n | PC+C _i | D | — | — | — |
| 7 | L | L | H | H | H | X | L | FETCH S+D | S+D+C _n | PC+C _i | D | — | — | — |
| 8 | L | H | L | L | L | X | L | FETCH PC → R | PC | PC+C _i | PC | PC | — | — |
| 9 | L | H | L | L | H | X | L | FETCH R+D → R | R+D+C _n | PC+C _i | R+D+C _n | R+D+C _n | — | — |
| 10 | L | H | L | H | L | X | L | LOAD R | PC | PC+C _i | D | D | — | — |
| 11 | L | H | L | H | H | X | L | PUSH PC | PC | PC+C _i | D | — | PC → Loc SP+1 | SP+1 |
| 12 | L | H | H | L | L | X | L | PUSH D | PC | PC+C _i | D | — | D → Loc SP+1 | SP+1 |
| 13 | L | H | H | L | H | X | L | POP S | S | PC+C _i | D | — | — | SP-1 |
| 14 | L | H | H | H | L | X | L | POP PC | PC | PC+C _i | D | — | — | SP-1 |
| 15 | L | H | H | H | H | X | L | HOLD | PC | — | D | — | — | — |
| 16-31 | H | X | X | X | X | H | L | FAIL COND'L TEST (FETCH PC) | PC | PC+C _i | D | — | — | — |
| 16 | H | L | L | L | L | L | L | JUMP R | R | R+C _i | D | — | — | — |
| 17 | H | L | L | L | H | L | L | JUMP D | D | D+C _i | D | — | — | — |
| 18 | H | L | L | H | L | L | L | JUMP "0" | "0" | "0"+C _i | D | — | — | — |
| 19 | H | L | L | H | H | L | L | JUMP R+D | R+D+C _n | R+D+C _n +C _i | D | — | — | — |
| 20 | H | L | H | L | L | L | L | JUMP PC+D | PC+D+C _n | PC+D+C _n +C _i | D | — | — | — |
| 21 | H | L | H | L | H | L | L | JUMP PC+R | PC+R+C _n | PC+R+C _n +C _i | D | — | — | — |
| 22 | H | L | H | H | L | L | L | JSB R | R | R+C _i | D | — | PC → Loc SP+1 | SP+1 |
| 23 | H | L | H | H | H | L | L | JSB D | D | D+C _i | D | — | PC → Loc SP+1 | SP+1 |
| 24 | H | H | L | L | L | L | L | JSB "0" | "0" | "0"+C _i | D | — | PC → Loc SP+1 | SP+1 |
| 25 | H | H | L | L | H | L | L | JSB R+D | R+D+C _n | R+D+C _n +C _i | D | — | PC → Loc SP+1 | SP+1 |
| 26 | H | H | L | H | L | L | L | JSB PC+D | PC+D+C _n | PC+D+C _n +C _i | D | — | PC → Loc SP+1 | SP+1 |
| 27 | H | H | L | H | H | L | L | JSB PC+R | PC+R+C _n | PC+R+C _n +C _i | D | — | PC → Loc SP+1 | SP+1 |
| 28 | H | H | H | L | L | L | L | RETURN S | S | S+C _i | D | — | — | SP-1 |
| 29 | H | H | H | L | H | L | L | RETURN S+D | S+D+C _n | S+D+C _n +C _i | D | — | — | SP-1 |
| 30 | H | H | H | H | L | L | L | HOLD | PC | — | D | — | — | — |
| 31 | H | H | H | H | H | L | L | SUSPEND | Z (Note 2) | — | D | — | — | — |

PC — Program Counter SP — Stack Pointer
R — Auxiliary Register D — Direct Inputs

Notes: 1. When IEN is HIGH, the Y₀-Y₃ outputs contain the same data as when IEN is LOW, as determined by I₀-I₄ and CC.

2. Z = High impedance state (outputs "OFF").

3. — = No change

Am2930 INSTRUCTION SET

The Am2930 Instruction set can be divided into five types of instructions. These are:

- Unconditional Fetches
- Conditional Jumps
- Conditional Jumps-to-Subroutine
- Conditional Returns-from-Subroutine
- Miscellaneous Instructions

The following paragraphs describe each of these types in detail.

Unconditional Fetches

As can be seen from Table 1, there are nine unconditional Fetch instructions (Instructions 1-9). Under control of the Instruction inputs, the desired function is placed at the Y outputs. For all Fetch instructions, PC is incremented if C_i of the least significant device is HIGH. For Instructions 1 through 7, the auxiliary register is under control of the RE input. For Instructions 8 and 9, R is loaded with PC and R + D, respectively. The RAM and Stack Pointer are not changed during a Fetch instruction.

Conditional Jumps

There are six conditional Jump instructions (Instructions 16 through 21). Under control of the Instruction inputs, the desired function is placed at the Y outputs. Additionally, the desired function is incremented if C_i of the least significant device is HIGH and loaded into PC. During these instructions, R is controlled by \overline{RE} . The RAM and Stack Pointer are not changed during these instructions. The above operations are performed if the \overline{CC} input is LOW; if \overline{CC} is HIGH, a Fetch PC operation is performed.

Conditional Jumps-to-Subroutine

There are six conditional Jump-to-Subroutine instructions (Instructions 22 through 27). Under control of the Instruction inputs, the desired function is placed on the Y outputs. On the rising edge of the clock the data on the Y outputs is incremented and loaded into PC, PC is loaded into the RAM at location SP+1; and SP is incremented.

As with Conditional Jump Instructions, R is controlled by \overline{RE} and whether the Jump-to-Subroutine or Fetch PC is performed depends upon the state of the \overline{CC} input.

Conditional Returns-from-Subroutine

There are two conditional Return-from-Subroutine instructions (Instructions 28 and 29). Under control of the instruction inputs, either S or S+D is placed at the Y outputs. Additionally, the selected function is incremented and loaded into PC and SP is decremented at the end of the cycle (on the rising edge of the clock).

As with the Condition Jump and Jump-to-Subroutine Instructions, R is controlled by \overline{RE} and whether the Return-from-Subroutine or Fetch PC is performed depends upon the state of the \overline{CC} input.

Miscellaneous Instructions

Each of the nine miscellaneous instructions is described individually.

Reset (Instruction 0)

The Reset instruction forces the Y outputs to zero, loads either zero or one into PC, depending upon the C_i input of the least significant device, and resets SP. The RAM is unchanged and R is controlled by \overline{RE} .

Load R (Instruction 10)

This instruction loads the data on the D inputs into R, PC is either incremented or held depending upon C_i of the least significant device. The SP and RAM are not changed.

Push PC (Instruction 11)

This instruction is the same as Fetch PC except that PC is loaded into RAM and SP is incremented at the end of the cycle; i.e., the current PC is Pushed onto the stack.

Push D (Instruction 12)

This instruction is the same as Fetch PC except that D is loaded into the RAM and SP is incremented at the end of the cycle; i.e., external data is Pushed onto the stack.

Pop S (Instruction 13)

This instruction places the Top of the Stack (S) at the Y outputs and decrements SP at the end of the cycle. The PC is incremented if the C_i input of the least significant device is HIGH. R is controlled by \overline{RE} .

Pop PC (Instruction 14)

This instruction is the same as Fetch PC except SP is decremented at the end of the cycle, causing the data at the top of the stack to be lost.

Hold (Instruction 15)

This instruction places PC at the Y outputs and inhibits any change in PC, SP, and RAM. R is controlled by \overline{RE} .

Conditional Hold (Instruction 30)

This instruction is the same as Hold except \overline{CC} must be LOW. If \overline{CC} is HIGH, the Fetch PC instruction is performed.

Suspend (Instruction 31)

The Suspend instruction is the same as the Conditional Hold instruction except the Y outputs are forced into the high-impedance state if \overline{CC} is LOW.

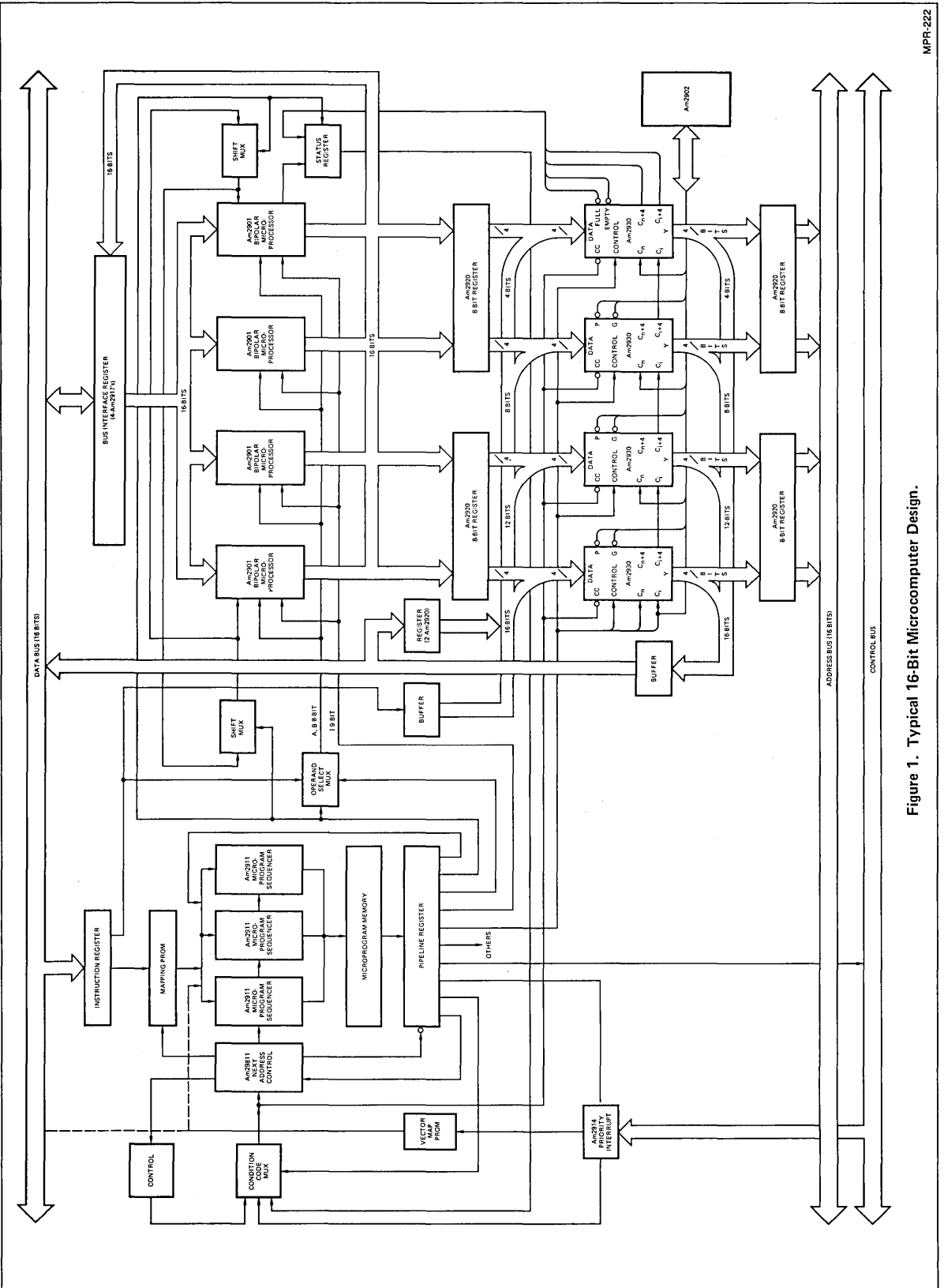


Figure 1. Typical 16-Bit Microcomputer Design.

APPLICATIONS

The Am2930 is shown in a typical 16-bit, 2900 Microcomputer design in Figure 1.

The Direct inputs (D) of the Am2930 are derived from one of three sources: the Instruction Register, the Data Bus via a 16-bit register (two Am2920 8-bit Registers), and the output of the Am2901's via a 16-bit register.

The Address outputs (Y) of the Am2930 are loaded into a 16-bit Memory Address Register (MAR). Although the MAR is shown as part of the CPU, in some applications it may be part of the memory.

An Am2902 High-Speed Lookahead Carry Generator is utilized to provide high-speed relative and indexed addressing. In slower systems, the C_{n+4} output can be wired to the next higher C_n input to provide ripple block arithmetic.

The Condition Code input (\overline{CC}) is derived from the same condition code multiplexer which generates the condition code input for the microprogram sequencer.

The control inputs of the Am2930 (I_{0-4} , \overline{IEN} , \overline{RE} , \overline{OE} , and C_i and C_n of the least significant device) are shown originating at the Pipeline Register. Although it is not shown in Figure 1, it is possible to share the Pipeline Register outputs which go to these pins with another device. This can be accomplished if both the Am2930 and the other device do not operate on the same microcycle. Forcing the \overline{IEN} input HIGH inhibits any changes in the Am2930 internal registers, independent of the state of these seven inputs. This allows the Am2930 to be placed in a hold mode while the other device is using the same Pipeline Register outputs as control signals.

PIN DEFINITIONS

| | | | |
|------------------|---|------------------------------|---|
| I_{0-4} | The five Instruction control lines to the Am2930, used to establish data paths and enable internal registers. | C_n | The carry-in to the Full Adder. |
| \overline{IEN} | The Instruction Enable Input, used to enable and disable internal registers. When \overline{IEN} is LOW, all internal registers are under control of the Instruction inputs. When \overline{IEN} is HIGH, all internal registers except R are inhibited from changing state. R is controlled by the \overline{RE} input. The \overline{IEN} input does not affect the combinatorial data paths and the outputs established by the Instruction inputs. | C_{n+4} | The carry-out of the Full Adder. |
| \overline{CC} | The Condition Code input determines whether or not a conditional instruction (Instructions 16-31) is performed. If \overline{CC} is LOW, the conditional instruction is executed. If \overline{CC} is HIGH, Fetch PC (Instruction 1) is executed. The \overline{CC} input may be either HIGH or LOW for unconditional instructions (Instructions 0-15). | $\overline{P}, \overline{G}$ | The carry generate and propagate outputs of the Full Adder. |
| \overline{RE} | The Register Enable input for the Auxiliary Register (R). A LOW on \overline{RE} causes the Auxiliary Register (R) to be loaded from the D inputs unless Instruction 8 or 9 is being executed and \overline{IEN} is LOW. | C_i | The carry-in to the program counter incrementer. |
| | | C_{i+4} | The carry-out of the program counter incrementer. |
| | | Y_{0-3} | The four address outputs of the Am2930. These are three-state output lines. When enabled, they display the outputs of the Full Adder. |
| | | \overline{OE} | Output Enable. When \overline{OE} is HIGH, the Y outputs are OFF (high-impedance); when \overline{OE} is LOW, the Y outputs are active (HIGH or LOW). |
| | | D_{0-3} | The four Direct inputs which are used as inputs to the Auxiliary Register, the RAM, and the Full Adder, under instruction control. |
| | | \overline{Empty} | The Empty output is LOW when the Stack is empty. |
| | | \overline{Full} | The Full output is LOW when the LIFO stack is full — during and after the 17th push operation. |
| | | CP | The clock input to the Am2930. All internal registers (R, SP, PC) and the RAM are updated on the LOW-to-HIGH transition of the clock input. |

Am2930

MAXIMUM RATINGS (Above which the useful life may be impaired)

| | |
|---|------------------------|
| Storage Temperature | -65°C to +150°C |
| Temperature (Ambient) Under Bias | -55°C to +125°C |
| Supply Voltage to Ground Potential | -0.5V to +7.0V |
| DC Voltage Applied to Outputs for High Output State | -0.5V to V_{CC} max. |
| DC Input Voltage | -0.5V to +5.5V |
| DC Output Current, Into Outputs | 30mA |
| DC Input Current | -30mA to +5.0mA |

OPERATING RANGE

| Part Number | Temperature | V_{CC} |
|--------------|---|----------------|
| Am2930PC, DC | $T_A = 0^\circ\text{C}$ to $+70^\circ\text{C}$ | 4.75V to 5.25V |
| Am2930DM, FM | $T_C = -55^\circ\text{C}$ to $+125^\circ\text{C}$ | 4.50V to 5.50V |

DC CHARACTERISTICS OVER OPERATING RANGE

| Parameters | Description | Test Conditions (Note 1) | Typ. (Note 2) | | Units | |
|------------|---------------------------------------|---|--|------|--------|---------------|
| | | | Min. | Max. | | |
| V_{OH} | Output HIGH Voltage | $V_{CC} = \text{MIN.}, V_{IN} = V_{IL}$ or V_{IH} | Y_0, Y_1, Y_2, Y_3 $\overline{G}, C_{n+4}, C_{i+4}$ $I_{OH} = -1.6\text{mA}$ | 2.4 | | Volts |
| | | | $\overline{P}, \overline{FULL}, \overline{EMPTY}$ $I_{OH} = -1.2\text{mA}$ | 2.4 | | |
| V_{OL} | Output LOW Voltage | $V_{CC} = \text{MIN.}, V_{IN} = V_{IL}$ or V_{IH} | Y_0, Y_1, Y_2, Y_3 $I_{OL} = 20\text{mA}$ (COM'L) | | 0.5 | Volts |
| | | | $\overline{G}, C_{n+4}, C_{i+4}$ $I_{OL} = 16\text{mA}$ (MIL) | | 0.5 | |
| | | | $\overline{P}, \overline{FULL}, \overline{EMPTY}$ $I_{OL} = 16\text{mA}$ | | 0.5 | |
| | | | $\overline{P}, \overline{FULL}, \overline{EMPTY}$ $I_{OL} = 12\text{mA}$ | | 0.5 | |
| V_{IH} | Input HIGH Level (Note 4) | | 2.0 | | Volts | |
| V_{IL} | Input LOW Level (Note 4) | | | 0.8 | Volts | |
| V_I | Input Clamp Voltage | $V_{CC} = \text{MIN.}, I_{IN} = -18\text{mA}$ | | | -1.5 | Volts |
| I_{IL} | Input LOW Current | $V_{CC} = \text{MAX.}, V_{IN} = 0.5\text{V}$ | D_{0-3} $I_{0-4}, \overline{RE}, \overline{IEN}, \overline{CP}, \overline{OE}$ \overline{CC} | | -0.360 | mA |
| | | | C_i | | -0.657 | |
| | | | C_n | | -2.31 | |
| | | | C_n | | -3.25 | |
| | | | C_n | | -3.25 | |
| I_{IH} | Input HIGH Current | $V_{CC} = \text{MAX.}, V_{IN} = 2.7\text{V}$ | D_{0-3} $I_{0-4}, \overline{RE}, \overline{IEN}, \overline{CP}, \overline{OE}$ \overline{CC} | | 20 | μA |
| | | | C_i | | 40 | |
| | | | C_i | | 50 | |
| | | | C_i | | 90 | |
| | | | C_n | | 250 | |
| I_I | Input HIGH Current | $V_{CC} = \text{MAX.}, V_{IN} = 5.5\text{V}$ | | | 1.0 | mA |
| I_{SC} | Output Short Circuit Current (Note 3) | $V_{CC} = \text{MAX.}$ | -30 | | -85 | mA |
| I_{OZL} | Output OFF Current | $V_{CC} = \text{MAX.}, \overline{OE} = 2.4\text{V}$ | $V_{OUT} = 0.5\text{V}$ | | -50 | μA |
| I_{OZH} | | | $V_{OUT} = 2.4\text{V}$ | | 50 | |
| I_{CC} | Power Supply Current | $V_{CC} = 5.0\text{V}$ $V_{CC} = \text{MAX.}$ | $T_A = 25^\circ\text{C}$ | | 118 | mA |
| | | | $T_C = -55^\circ\text{C}$ to $+125^\circ\text{C}$ | | | |
| | | | $T_C = +125^\circ\text{C}$ | | | |
| | | | $T_A = 0^\circ\text{C}$ to $+70^\circ\text{C}$ | | | |
| | | | $T_A = 70^\circ\text{C}$ | | | |

- Notes: 1. For conditions shown as MIN. or MAX., use the appropriate value specified under Electrical Characteristics for the applicable device type.
 2. Typical limits are at $V_{CC} = 5.0\text{V}$, 25°C ambient and maximum loading.
 3. Not more than one output should be shorted at a time. Duration of the short circuit test should not exceed one second.
 4. These input levels provide no guaranteed noise immunity and should only be tested in a static-, noise-free environment.

SWITCHING CHARACTERISTICS (Room Temperature Performance)

Tables I, II, and III define the timing characteristics of the Am2930 at 25°C and 5.0V. The tables divide the parameters into three types: clock characteristics, combinational delays from inputs to outputs, and set-up and hold times relative to the clock pulse. Measurements are made at 1.5V with $V_{IL} = 0V$ and $V_{IH} = 3.0V$. For three-state disable tests, $C_L = 5.0pF$ and measurement is to 0.5V change on output voltage level.


TABLE I
Clock Characteristics

| | |
|-------------------------|------|
| Minimum Clock LOW Time | 30ns |
| Minimum Clock HIGH Time | 30ns |

TABLE II
Combinational Propagation Delays, All in ns.
Outputs fully loaded. $C_L = 50pF$ (except output disable tests)

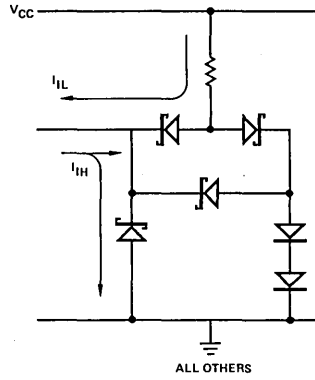
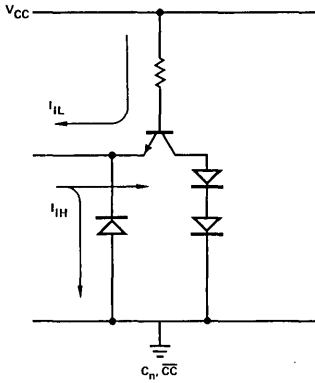
| To Output From Input | TYPICAL, 5.0V, 25°C | | | | | | | MAXIMUM, 5.0V, 25°C | | | | | | |
|-------------------------|---------------------|------------------------------|-----------|------------------------|------------------------|------|-------|---------------------|------------------------------|-----------|------------------------|------------------------|------|-------|
| | Y | $\overline{G}, \overline{P}$ | C_{n+4} | C_{i+4} $I_4 = L$ | C_{i+4} $I_4 = H$ | Full | Empty | Y | $\overline{G}, \overline{P}$ | C_{n+4} | C_{i+4} $I_4 = L$ | C_{i+4} $I_4 = H$ | Full | Empty |
| I_{4-0} | 60 | 50 | 55 | 60 | 60 | 45 | – | | | | | | | |
| \overline{CC} | 40 | 35 | 40 | – | 60 | 30 | – | | | | | | | |
| C_n | 25 | – | 18 | – | 35 | – | – | | | | | | | |
| C_i | – | – | – | 12 | 12 | – | – | | | | | | | |
| CP | 48 | 35 | 40 | 40 | 65 | 30 | 30 | | | | | | | |
| D | 35 | 25 | 30 | – | 40 | – | – | | | | | | | |
| $\overline{I_{EN}}$ | – | – | – | 35 | 40 | 30 | | | | | | | | |

TABLE III
Set-up and Hold Times. All in ns.
All relative to clock LOW-to-HIGH transition.

| Input | CP:  | |
|---------------------|---|-----------|
| | Set-up Time | Hold Time |
| I_{4-0} | 75 | 0 |
| \overline{CC} | 60 | 0 |
| $\overline{I_{EN}}$ | 65 | 0 |
| C_n | 32 | 0 |
| C_i | 18 | 0 |
| D → PC | 45 | 0 |
| D → R or Stack | 18 | 3 |
| \overline{RE} | 18 | 3 |

OUTPUT CIRCUIT CURRENT INTERFACE

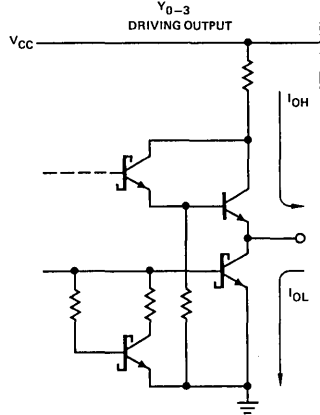
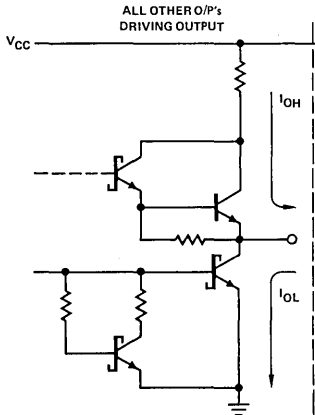
DRIVEN INPUTS



Note; C_i input is connected to both configurations in parallel.

MPR-223

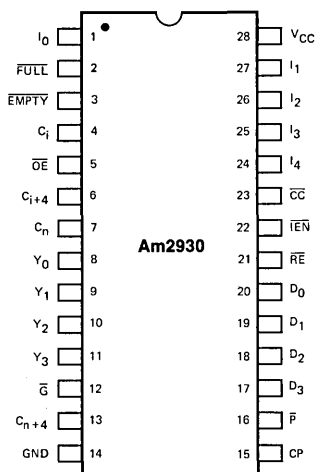
DRIVING OUTPUTS



Note; Actual current flow direction shown.

MPR-224

CONNECTION DIAGRAM
Top View



Note: Pin 1 is marked for orientation.

MPR-225

ORDERING INFORMATION

Order the part number according to the table below to obtain the desired package, temperature range, and screening level.

| Order Number | Package Type (Note 1) | Temperature Range (Note 2) | Screening Level (Note 3) |
|--------------|--------------------------|-------------------------------|--|
| AM2930PC | P-28 | C | C-1 |
| AM2930DC | D-28 | C | C-1 |
| AM2930DC-B | D-28 | C | B-1 |
| AM2930DM | D-28 | M | C-3 |
| AM2930DM-B | D-28 | M | B-3 |
| AM2930FM | F-28 | M | C-3 |
| AM2930FM-B | F-28 | M | B-3 |
| AM2930XC | Dice | C | Visual inspection to MIL-STD-883 Method 2010B. |
| AM2930XM | Dice | M | |

- Notes: 1. P = Molded DIP, D = Hermetic DIP, F = Flat Pak. Number following letter is number of leads. See Appendix B for detailed outline. Where Appendix B contains several dash numbers, any of the variations of the package may be used unless otherwise specified.
2. C = 0°C to +70°C, M = -55°C to +125°C.
3. See Appendix A for details of screening. Levels C-1 and C-3 conform to MIL-STD-883, Class C. Level B-3 conforms to MIL-STD-883, Class B.

Am2940

DMA Address Generator

Advance Information

DISTINCTIVE CHARACTERISTICS

- **DMA Address Generation**
Generates memory address, word count and DONE signal for DMA transfer operation.
- **Expandable Eight-bit Slice**
Any number of Am2940's can be cascaded to form larger memory addresses – three devices address 16 megawords.
- **Repeat Data Transfer Capability**
Initial memory address and word count are saved so that the data transfer can be repeated.
- **Programmable Control Modes**
Provides four types of DMA transfer control plus memory address increment/decrement.
- **High Speed, Bipolar LSI**
Advanced Low-Power Schottky TTL technology provides typical CLOCK to DONE propagation delay of 40ns and 24mA output current sink capability.
- **Microprogrammable**
Executes 8 different instructions.

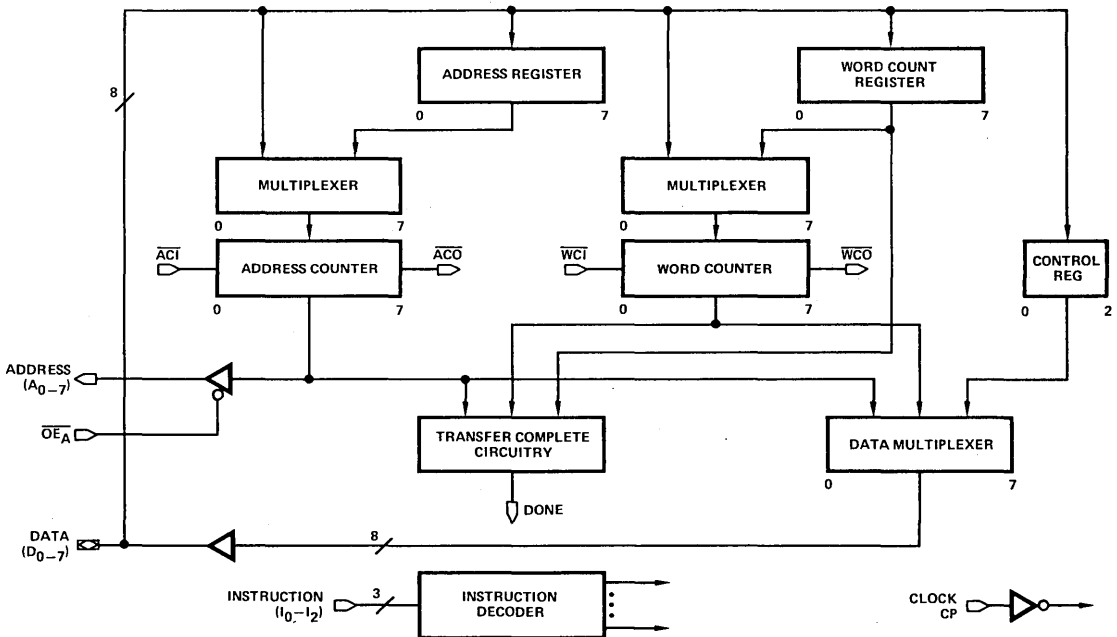
GENERAL DESCRIPTION

The Am2940, a 28-pin member of Advanced Micro Devices Am2900 family of Low-Power Schottky bipolar LSI chips, is a high-speed, cascadable, eight-bit wide Direct Memory Access Address Generator slice. Any number of Am2940's can be cascaded to form larger addresses.

The primary function of the device is to generate sequential memory addresses for use in the sequential transfer of data to or from a memory. It also maintains a data word count and generates a DONE signal when a programmable terminal count has been reached. The device is designed for use in peripheral controllers with DMA capability or in any other system which transfers data to or from sequential locations of a memory.

The Am2940 can be programmed to increment or decrement the memory address in any of four control modes, and executes eight different instructions. The initial address and word count are saved internally by the Am2940 so that they can be restored later in order to repeat the data transfer operation.

BLOCK DIAGRAM



Am2940 DMA Address Generator

Am2940 ARCHITECTURE

As shown in the Block Diagram, the Am2940 consists of the following:

- A three-bit Control Register.
- An eight-bit Address Counter with input multiplexer.
- An eight-bit Address Register.
- An eight-bit Word Counter with input multiplexer.
- An eight-bit Word Count Register.
- Transfer complete circuitry.
- An eight-bit wide data multiplexer with three-state output buffers.
- Three-state address output buffers with external output enable control.
- An instruction decoder.

Control Register

Under instruction control, the Control Register can be loaded or read from the bidirectional DATA lines D₀-D₇. Control Register bits 0 and 1 determine the Am2940 Control Mode, and bit 2 determines whether the Address Counter increments or decrements. Figure 1 defines the Control Register format.

Address Counter

The Address Counter, which provides the current memory address, is an eight-bit, binary, up/down counter with full look-ahead carry generation. The Address Carry input (\overline{ACI}) and Address Carry Output (\overline{ACO}) allow cascading to accommodate larger addresses. Under instruction control, the Address Counter can be enabled, disabled, and loaded from the DATA inputs, D₀-D₇, or the Address Register. When enabled and the \overline{ACI} input is LOW, the Address Counter increments/decrements on the LOW to HIGH transition of the CLOCK input, CP. The Address Counter output can be enabled onto the three-state ADDRESS outputs A₀-A₇ under control of the Output Enable input, $\overline{OE_A}$.

Address Register

The eight-bit Address Register saves the initial address so that it can be restored later in order to repeat a transfer operation. When the LOAD ADDRESS instruction is executed, the Address Register and Address Counter are simultaneously loaded from the DATA inputs, D₀-D₇.

Word Counter and Word Count Register

The Word Counter and Word Count Register, which maintain and save a word count, are similar in structure and operation to the Address Counter and Address Register, with the exception that the Word Counter increments in Control Modes 1 and 3, decrements in Control Mode 0, and is disabled in Control Mode 2. The LOAD WORD COUNT instruction simultaneously loads the Word Counter and Word Count Register.

Transfer Complete Circuitry

The Transfer Complete Circuitry is a combinational logic network which detects the completion of the data transfer operation in three Control Modes and generates the DONE output signal. The DONE signal is an open-collector output, which can be dot-anded between chips.

Data Multiplexer

The Data Multiplexer is an eight-bit wide, 3-input multiplexer which allows the Address Counter, Word Counter, and Control Register to be read at the DATA lines, D₀-D₇. The Data Multiplexer and three-state Data output buffers are instruction controlled.

Address Output Buffers

The three-state Address Output Buffers allow the Address Counter output to be enabled onto the ADDRESS lines, A₀-A₇, under external control. When the Output Enable input, $\overline{OE_A}$, is LOW, the Address output buffers are enabled; when $\overline{OE_A}$ is HIGH, the ADDRESS lines are in the high-impedance state. The address and Data Output Buffers can sink 24mA output current over the commercial operating range.

Instruction Decoder

The Instruction Decoder generates required internal control signals as a function of the INSTRUCTION inputs, I₀-I₂ and Control Register bits 0 and 1.

Clock

The CLOCK input, CP is used to clock the Address Register, Address Counter, Word Count Register, Word Counter, and Control Register, all on the LOW to HIGH transition of the CP signal.

Control Register

| | | |
|-----------------|-----------------|-----------------|
| CR ₂ | CR ₁ | CR ₀ |
|-----------------|-----------------|-----------------|

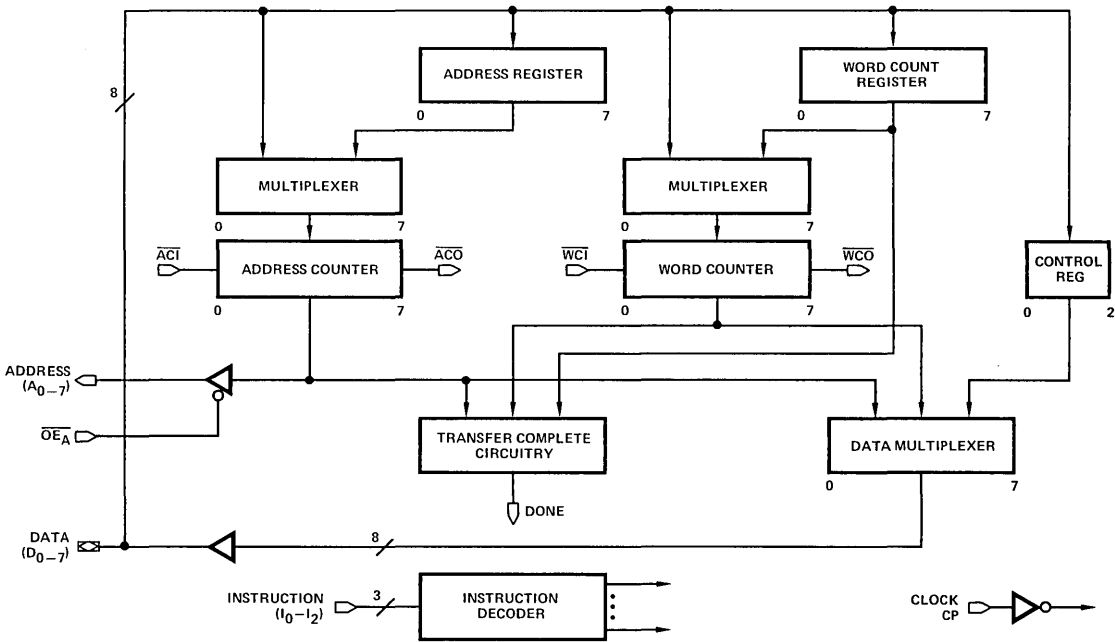
| CR ₁ | CR ₀ | Control Mode Number | Control Mode Type | Word Counter | Done Output Signal |
|-----------------|-----------------|---------------------|------------------------|--------------|---|
| L | L | 0 | Word Count Equals One | Decrement | HIGH when Word Counter = 1 |
| L | H | 1 | Word Count Compare | Increment | HIGH when Word Counter + 1 equals Word Count Register |
| H | L | 2 | Address Compare | Hold | HIGH when Word Counter = Address Counter |
| H | H | 3 | Word Counter Carry out | Increment | Always LOW. |

| CR ₂ | Address Counter |
|-----------------|-----------------|
| L | Increment |
| H | Decrement |

H → HIGH
L → LOW

Figure 1. Control Register Format Definition.

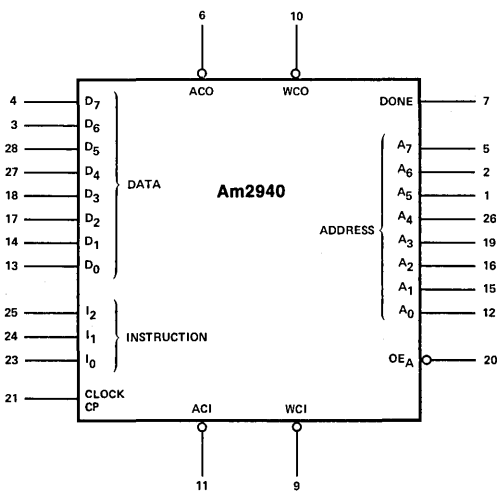
BLOCK DIAGRAM



Am2940 DMA Address Generator

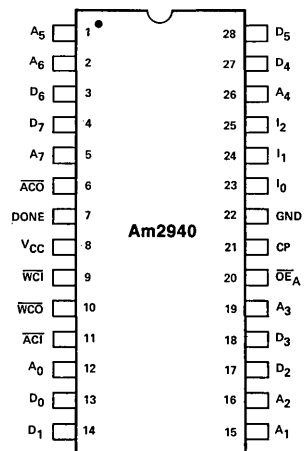
MPR-226

LOGIC SYMBOL



MPR-227

CONNECTION DIAGRAM
Top View



Note: Pin 1 is marked for orientation

MPR-228

Am2940 CONTROL MODES

Control Mode 0 – Word Count Equals One Mode

In this mode, the number of data words to be transferred is initially loaded into the Word Counter and Word Count Register. When the Word Counter is enabled and the Word Counter Carry-in, \overline{WCI} , is LOW, the Word Counter decrements on the LOW to HIGH transition of the CLOCK input, CP. The DONE signal is generated during the last word transfer, i.e. when the Word Counter equals one.

Control Mode 1 – Word Count Compare Mode

Initially, the number of data words to be transferred is loaded into the Word Count Register and the Word Counter is cleared. When the Word Counter is enabled and the \overline{WCI} input is LOW, the Word Counter increments on the LOW to HIGH transition of the CLOCK input, CP. In this mode, the Word Counter always indicates the number of data words that have been transferred. The Transfer Complete Circuitry compares the Word Counter with the Word Count Register and generates the DONE signal during the last word transfer, i.e. when the Word Counter plus one equals the Word Count Register.

Control Mode 2 – Address Compare Mode

In this mode, only an initial and final memory address need be specified. The initial Memory Address is loaded into the Address Register and Address Counter and the final memory address is loaded into the Word Count Register and Word Counter. The Word Counter is always disabled in this mode and serves as a holding register for the final memory address. When the Address Counter is enabled and the \overline{ACI} input is LOW, the Address Counter increments or decrements (depending on Control Register bit 2) on the LOW to HIGH transition of the CLOCK input, CP. The Transfer Complete Circuitry compares the Address Counter with the Word Counter and generates the DONE signal during the last word transfer, i.e. when the Address Counter equals the Word Counter.

Control Mode 3 – Word Counter Carry Out Mode

For this mode of operation, the user can load the Word Count Register and Word Counter with the two's complement of the number of data words to be transferred. When the Word Counter is enabled and the \overline{WCI} input is LOW, the Word Counter increments on the LOW to HIGH transition of the CLOCK input, CP. A Word Counter Carry Out signal, WCO, indicates the last data word is being transferred. The DONE signal is not required in this mode and, therefore, is always LOW.

Am2940 INSTRUCTIONS

The Am2940 instruction set consists of eight instructions. Six instructions load and read the Address Counter, Word Counter and Control Register, one instruction enables the Address and Word counters, and one instruction reinitializes the Address and Word Counters. The function of the REINITIALIZE COUNTERS, LOAD WORD COUNT, and ENABLE COUNTERS instructions varies with the Control Mode being utilized. Table 1 defines the Am2940 Instructions as a function of Instruction inputs I_0 - I_2 and the four Am2940 Control Modes.

The WRITE CONTROL REGISTER instruction writes DATA input D_0 - D_2 into the Control Register; DATA inputs D_3 - D_7 are "don't care" inputs for this instruction. The READ CONTROL REGISTER instruction gates the Control Register outputs to DATA lines, D_0 - D_2 . DATA lines D_3 - D_7 are in the HIGH state during this instruction.

The Word Counter can be read using the READ WORD COUNTER instruction, which gates the Word Counter outputs to DATA lines D_0 - D_7 . The LOAD WORD COUNT instruction is Control Mode dependent. In Control Modes 0, 2, and 3, DATA inputs D_0 - D_7 are written into both the Word Count Register and Word Counter. In Control Mode 1, DATA inputs D_0 - D_7 are written into the Word Count Register and the Word Counter is cleared.

The READ ADDRESS COUNTER instruction gates the Address Counter outputs to DATA lines D_0 - D_7 , and the LOAD ADDRESS instruction writes DATA inputs D_0 - D_7 into both the Address Register and Address Counter.

In Control Modes 0, 1, and 3, the ENABLE COUNTERS instruction enables both the Address and Word Counters; in Control Mode 2, the Address Counter is enabled and the Word Counter holds its contents. When enabled and the carry input is active, the counters increment on the LOW to HIGH transition of the CLOCK input, CP. Thus, with this instruction applied, counting can be controlled by the carry inputs.

The REINITIALIZE COUNTERS instruction also is Control Mode dependent. In Control Modes 0, 2, and 3, the contents of the Address Register and Word Count Register are transferred to the respective Address Counter and Word Counter; in Control Mode 1, the content of the Address Register is transferred to the Address Counter and the Word Counter is cleared. The REINITIALIZE COUNTERS instruction allows a data transfer operation to be repeated without reloading the address and word count from the DATA lines.

TABLE I. Am2940 INSTRUCTIONS

| I_2 | I_1 | I_0 | Octal Code | Function | Mnemonic | Control Mode | Word Reg. | Word Counter | Address Reg. | Address Counter | Control Register | Data D_0 - D_7 |
|-------|-------|-------|------------|------------------------|----------|--------------|------------------|-----------------------|--------------|------------------------------|--------------------|--------------------------------|
| L | L | L | 0 | WRITE CONTROL REGISTER | WRCR | 0, 1, 2, 3 | HOLD | HOLD | HOLD | HOLD | D_0 - D_2 → CR | INPUT |
| L | L | H | 1 | READ CONTROL REGISTER | RDCR | 0, 1, 2, 3 | HOLD | HOLD | HOLD | HOLD | HOLD | CR → D_0 - D_2 (Note 1) |
| L | H | L | 2 | READ WORD COUNTER | RDWC | 0, 1, 2, 3 | HOLD | HOLD | HOLD | HOLD | HOLD | WC → D |
| L | H | H | 3 | READ ADDRESS COUNTER | RDAC | 0, 1, 2, 3 | HOLD | HOLD | HOLD | HOLD | HOLD | AC → D |
| H | L | L | 4 | REINITIALIZE COUNTERS | REIN | 0, 2, 3 1 | HOLD HOLD | WCR → WC ZERO → WC | HOLD HOLD | AR → AC AR → AC | HOLD HOLD | Z Z |
| H | L | H | 5 | LOAD ADDRESS | LDAD | 0, 1, 2, 3 | HOLD | HOLD | D → AR | D → AC | HOLD | INPUT |
| H | H | L | 6 | LOAD WORD COUNT | LDWC | 0, 2, 3 1 | D → WR D → WR | D → WC ZERO → WC | HOLD HOLD | HOLD HOLD | HOLD HOLD | INPUT INPUT |
| H | H | H | 7 | ENABLE COUNTERS | ENCT | 0, 1, 3 2 | HOLD HOLD | ENABLE COUNT HOLD | HOLD HOLD | ENABLE COUNT ENABLE COUNT | HOLD HOLD | Z Z |

CR = Control Reg.
AR = Address Reg.
AC = Address Counter

WCR = Word Count Reg.
WC = Word Counter
D = Data

L = LOW
H = HIGH
Z = High Impedance

Note 1:
Data Bits D_3 - D_7 are high during this instruction.

APPLICATIONS

The Am2940 is designed for use in peripheral controllers with DMA capability or in any other system which transfers data to or from sequential locations of a memory. One or more Am2940's can be used in each peripheral controller of a distributed DMA system to provide the memory address and word count required for DMA operation.

Figure 3 shows a block diagram of an example microprogrammed DMA peripheral controller. The Am2940 Microprogram Sequencer, Microprogram Memory, and the Microinstruction Register form the microprogram control portion of this peripheral controller. The Am2940 generates the memory address and maintains the word count required for DMA operation. An internal three-state bus provides the communication path between the Microinstruction Register, the Am2917 Data Tranceivers, the Am2940, the Am2901A Microprocessor, and the Device Interface Circuitry.

The Am2940 interconnections are shown in detail in Figure 4. Two Am2940's are cascaded to generate a sixteen-bit address. The Am2940 ADDRESS and DATA output current sink capability is 24mA over the commercial operating range. This allows the Am2940's to drive the System Address Bus and Internal Three-State Bus directly, thereby eliminating the need for separate bus drivers. Three-bits in the Microinstruction Register provide the Am2940 Instruction Inputs, I₀-I₂. The microprogram clock is used to clock the Am2940's and, when the ENABLE COUNTERS instruction is applied, address and word counting is controlled by the CNT bit of the Microinstruction Register.

Asynchronous interface control circuitry generates System Bus control signals and enables the Am2940 Address onto the System Address Bus at the appropriate time. The open-collector DONE outputs are dot-anded and used as a test input to the Am2910 Microprogram Sequencer.

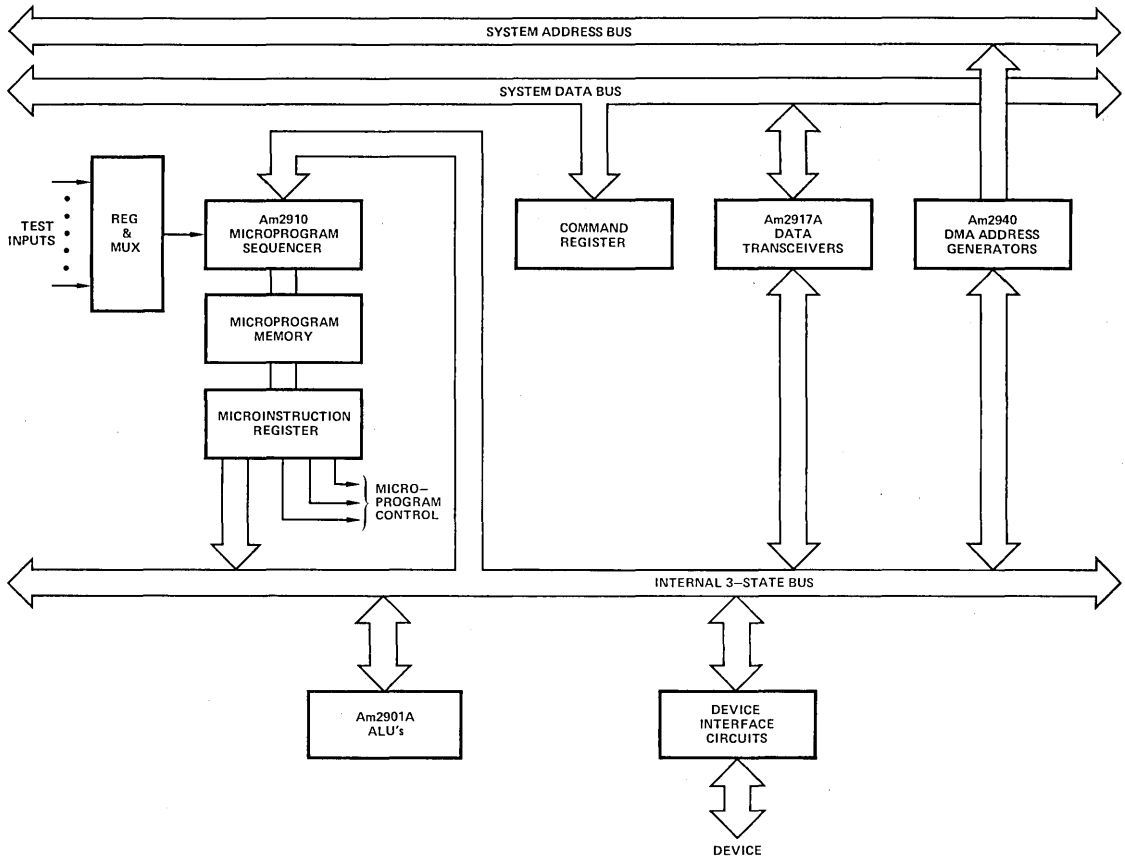


Figure 3. DMA Peripheral Controller Block Diagram.

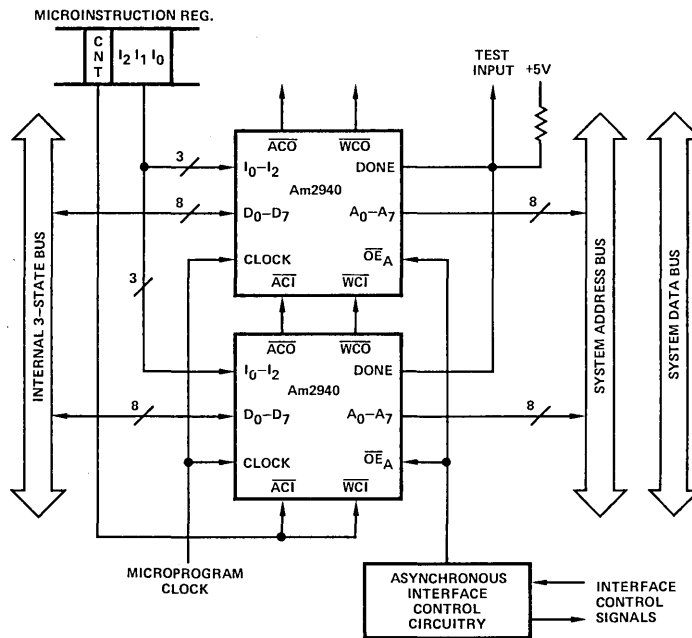


Figure 4. Am2940 Interconnections.

MPR-230

ORDERING INFORMATION

Order the part number according to the table below to obtain the desired package, temperature range, and screening level.

| Order Number | Package Type (Note 1) | Temperature Range (Note 2) | Screening Level (Note 3) |
|--------------|--------------------------|-------------------------------|--|
| AM2940PC | P-28 | C | C-1 |
| AM2940DC | D-28 | C | C-1 |
| AM2940DC-B | D-28 | C | B-1 |
| AM2940DM | D-28 | M | C-3 |
| AM2940DM-B | D-28 | M | B-3 |
| AM2940FM | F-28 | M | C-3 |
| AM2940FM-B | F-28 | M | B-3 |
| AM2940XC | Dice | C | Visual inspection to MIL-STD-883 Method 2010B. |
| AM2940XM | Dice | M | |

Notes: 1. P = Molded DIP, D = Hermetic DIP, F = Flat Pak. Number following letter is number of leads. See Appendix B for detailed outline. Where Appendix B contains several dash numbers, any of the variations of the package may be used unless otherwise specified.

2. C = 0°C to +70°C, M = -55°C to +125°C.

3. See Appendix A for details of screening. Levels C-1 and C-3 conform to MIL-STD-883, Class C. Level B-3 conforms to MIL-STD-883, Class B.

Am2941

Programmable Timer/Counter DMA Address Generator

ADVANCED INFORMATION

DISTINCTIVE CHARACTERISTICS

- 22-pin version of Am2940 –
Provides multiplexed Address and Data lines plus additional Instruction Input and Instruction Enable pins.
- Can be used as either DMA Address Generator or Programmable Timer Counter.
- Executes 16 instructions –
Eight DMA instructions plus eight Timer/Counter instructions
- Provides two independent programmable 8-bit up/down counters in a 22-pin package –
Counters can be cascaded to form single-chip 16-bit up/down counter.
- Reinitialize capability –
Counters can be reinitialized from on-chip registers.
- Expandable eight-bit slice –
Any number of Am2941's can be cascaded. Three devices provide a 48 bit counter.
- Programmable control modes –
Provide four types of control.
- High speed bipolar LSI –
Advanced Low-Power Schottky TTL technology provides typical count frequency of 25MHz and 24mA output current sink capability.

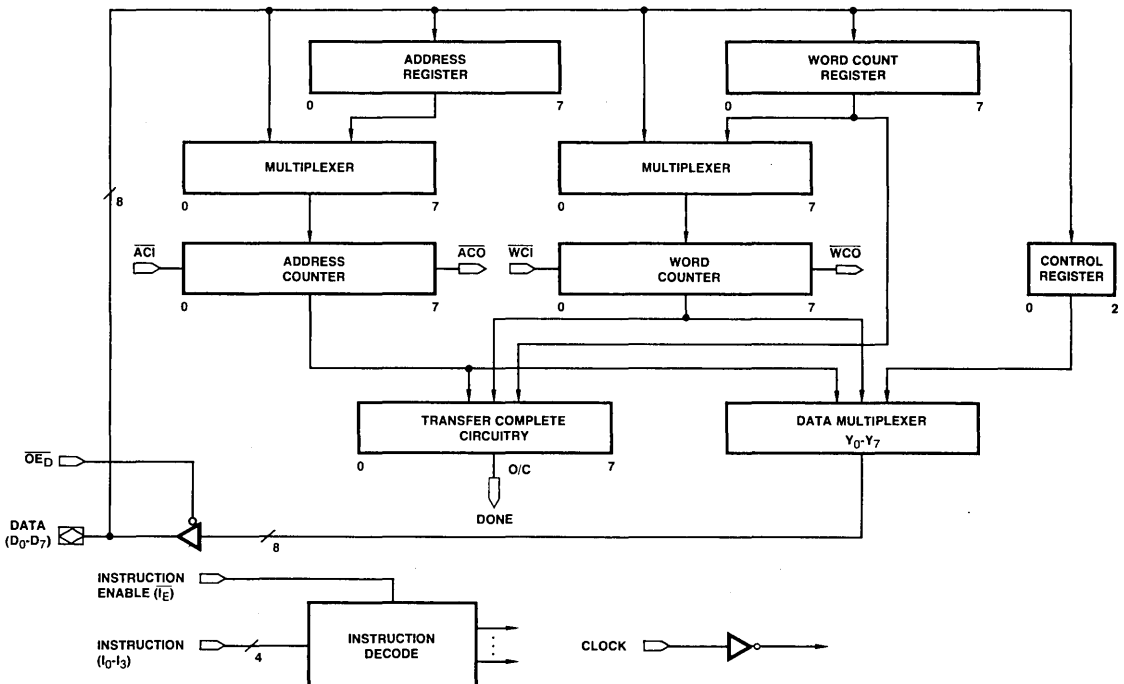
GENERAL DESCRIPTION

The Am2941, a 22-pin version of the Am2940, can be used as a high-speed DMA address Generator or Programmable Timer/Counter. It provides multiplexed Address and Data lines, for use with a common bus, and additional Instruction Input and Instruction Enable pins. The Am2941 executes 16 instructions; eight are the same as the Am2940 instructions, and eight instructions facilitate the use of the Am2941 as a Programmable Timer/Counter. The Instruction Enable input allows the sharing of the Am2941 instruction field with other devices.

When used as a Timer/Counter, the Am2941 provides two independent, programmable, eight-bit, up-down counters in a 22-pin package. The two on-chip counters can be cascaded to form a single chip, 16-bit counter. Also, any number of chips can be cascaded – for example three cascaded Am2941's form a 48-bit timer/counter.

Reinitialization instructions provide the capability to reinitialize the counters from on-chip registers. Am2941 Programmable Control Modes, identical to those of the Am2940, offer four different types of programmable control.

BLOCK DIAGRAM



Am2941 ARCHITECTURE

As shown in the Block Diagram, the Am2941 consists of the following:

- A three-bit Control Register.
- An eight-bit Address Counter with input multiplexer.
- An eight-bit Address Register.
- An eight-bit Word Counter with input multiplexer.
- An eight-bit Word Count Register.
- Transfer complete circuitry.
- An eight-bit wide data multiplexer with three-state output buffers.
- An instruction decoder.

Control Register

Under instruction control, the Control Register can be loaded or read from the bidirectional DATA lines D₀-D₇. Control Register bits 0 and 1 determine the Am2941 Control Mode, and bit 2 determines whether the Address Counter increments or decrements. Figure 1 defines the Control Register format.

Address Counter

The Address Counter, which provides the current memory address, is an eight-bit, binary, up/down counter with full look-ahead carry generation. The Address Carry input (ACI) and Address Carry Output (\overline{ACO}) allow cascading to accommodate larger addresses. Under instruction control, the Address Counter can be enabled, disabled, and loaded from the DATA inputs, D₀-D₇, or the Address Register. When enabled and the \overline{ACI} input is LOW, the Address Counter increments/decrements on the LOW to HIGH transition of the CLOCK input, CP.

Address Register

The eight-bit Address Register saves the initial address so that it can be restored later in order to repeat a transfer operation. When the LOAD ADDRESS instruction is executed, the Address Register and Address Counter are simultaneously loaded from the DATA inputs, D₀-D₇.

Word Counter and Word Count Register

The Word Counter and Word Count Register, which maintain and save a word count, are similar in structure and operation to the Address Counter and Address Register, with the exception that the Word Counter increments in Control Modes 1 and 3, decrements in Control Mode 0, and is disabled in Control Mode 2. The LOAD WORD COUNT instruction simultaneously loads the Word Counter and Word Count Register.

Transfer Complete Circuitry

The Transfer Complete Circuitry is a combinational logic network which detects the completion of the data transfer operation in three Control Modes and generates the DONE output signal. The DONE signal is an open-collector output, which can be dot-anded between chips.

Data Multiplexer

The Data Multiplexer is an eight-bit wide, three-input multiplexer which allows the Address Counter, Word Counter and Control Register to be read at DATA lines D₀-D₇. The Data Multiplexer output, Y₀-Y₇, is enabled onto DATA lines D₀-₇ if and only if the Output Enable input, OE_D, is LOW. (Refer to Figure 2.)

Instruction Decoder

The Instruction Decoder generates required internal control signals as a function of the INSTRUCTION inputs, I₀-I₃, Control Register bits 0 and 1, and the INSTRUCTION ENABLE input, I_E.

Clock

The CLOCK input, CP is used to clock the Address Register, Address Counter, Word Count Register, Word Counter, and Control Register, all on the LOW to HIGH transition of the CP signal.

Control Register

| | | |
|-----------------|-----------------|-----------------|
| CR ₂ | CR ₁ | CR ₀ |
|-----------------|-----------------|-----------------|

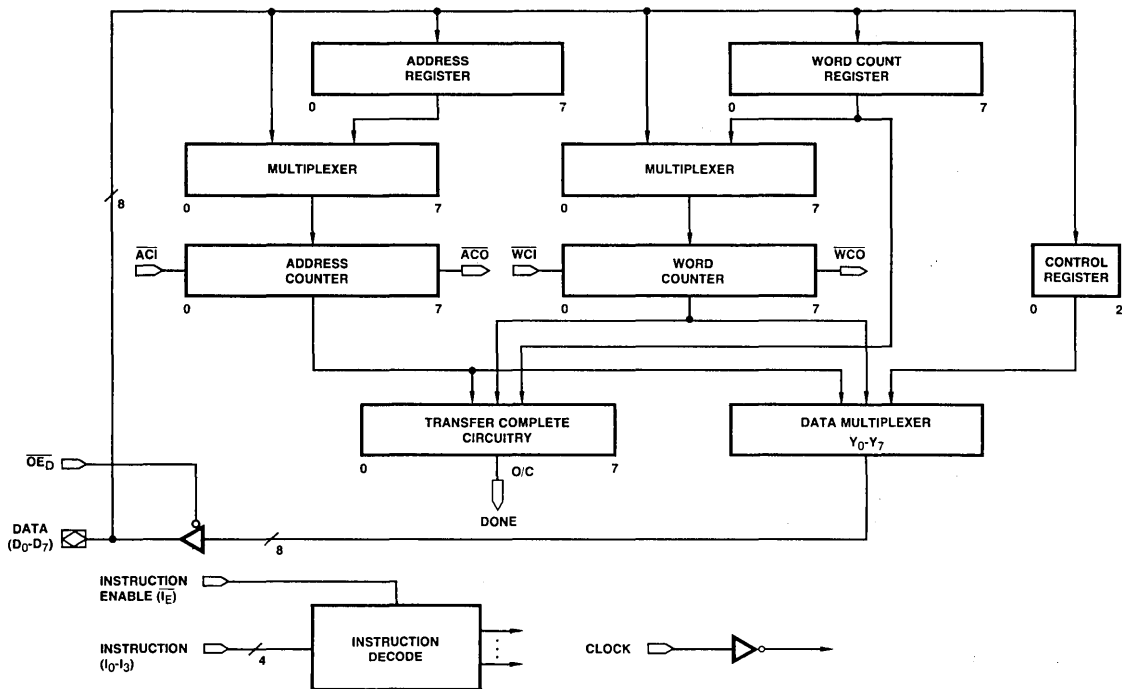
| CR ₁ | CR ₀ | Control Mode Number | Control Mode Type | Word Counter | Done Output Signal |
|-----------------|-----------------|---------------------|------------------------|--------------|---|
| L | L | 0 | Word Count Equals One | Decrement | HIGH when Word Counter = 1 |
| L | H | 1 | Word Count Compare | Increment | HIGH when Word Counter + 1 equals Word Count Register |
| H | L | 2 | Address Compare | Hold | HIGH when Word Counter = Address Counter |
| H | H | 3 | Word Counter Carry out | Increment | Always LOW. |

| CR ₂ | Address Counter |
|-----------------|-----------------|
| L | Increment |
| H | Decrement |

H = HIGH
L = LOW

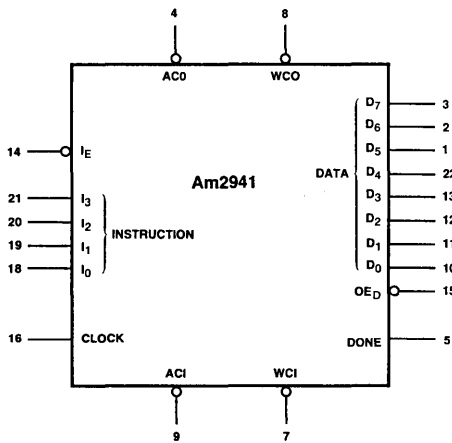
Figure 1. Control Register Format Definition.

BLOCK DIAGRAM



MPR-231

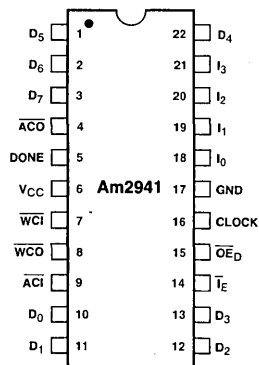
LOGIC SYMBOL



V_{CC} = Pin 6
GND = Pin 17

MPR-232

CONNECTION DIAGRAM
Top View



Note: Pin 1 is marked for orientation

MPR-233

Am2941 CONTROL MODES**Control Mode 0 – Word Count Equals One Mode**

In this mode, the number of data words to be transferred is initially loaded into the Word Counter and Word Count Register. When the Word Counter is enabled and the Word Counter Carry-in, \overline{WCI} , is LOW, the Word Counter decrements on the LOW to HIGH transition of the CLOCK input, CP. The DONE signal is generated during the last word transfer, i.e. when the Word Counter equals one.

Control Mode 1 – Word Count Compare Mode

Initially, the number of data words to be transferred is loaded into the Word Count Register and the Word Counter is cleared. When the Word Counter is enabled and the \overline{WCI} input is LOW, the Word Counter increments on the LOW to HIGH transition of the CLOCK input, CP. In this mode, the Word Counter always indicates the number of data words that have been transferred. The Transfer Complete Circuitry compares the Word Counter with the Word Count Register and generates the DONE signal during the last word transfer, i.e. when the Word Counter plus one equals the Word Count Register.

Control Mode 2 – Address Compare Mode

In this mode, only an initial and final memory address need to be specified. The initial Memory Address is loaded into the Address Register and Address Counter and the final memory address is loaded into the Word Count Register and Word

Counter. The Word Counter is always disabled in this mode and serves as a holding register for the final memory address. When the Address Counter is enabled and the \overline{ACI} input is LOW, the Address Counter increments or decrements (depending on Control Register bit 2) on the LOW to HIGH transition of the CLOCK input, CP. The Transfer Complete Circuitry compares the Address Counter with the Word Counter and generates the DONE signal during the last word transfer, i.e. when the Address Counter equals the Word Counter.

| \overline{OE}_D | D_0-D_7 |
|-------------------|------------------------------------|
| L | DATA MULTIPLEXER OUTPUT, Y_0-Y_7 |
| H | HIGH Z |

Figure 2. Data Bus Output Enable Function.

Control Mode 3 – Word Counter Carry Out Mode

For this mode of operation, the user can load the Word Count Register and Word Counter with the two's complement of the number of data words to be transferred. When the Word Counter is enabled and the \overline{WCI} input is LOW, the Word Counter increments on the LOW to HIGH transition of the CLOCK input, CP. A Word Counter Carry Out signal, \overline{WCO} , indicates the last data word is being transferred. The DONE signal is not required in this mode and, therefore, is always LOW.

Am2941 INSTRUCTIONS

The Am2941 instruction set consists of sixteen instructions. Eight are DMA instructions and are the same as the Am2940 instructions. The remaining eight instructions are designed to facilitate the use of the Am2941 as a Programmable Timer/Counter. Figures 3 and 4 define the Am2941 Instructions.

Instructions 0-7 are DMA instructions. The WRITE CONTROL REGISTER instruction writes DATA input D₀-D₂ into the Con-

trol Register; DATA inputs D₃-D₇ are "don't care" inputs for this instruction. The READ CONTROL REGISTER instruction gates the Control Register to Data Multiplexer outputs Y₀-Y₂. Outputs Y₃-Y₇ are HIGH during this instruction.

The Word Counter can be read using the READ WORD COUNTER instruction, which gates the Word Counter to Data Multiplexer outputs, Y₀-Y₇. The LOAD WORD COUNT instruction is Control Mode dependent. In Control Modes 0, 2, and 3,

| $\overline{I_E}$ | I ₃ | I ₂ | I ₁ | I ₀ | HEX CODE | | |
|------------------|----------------|----------------|----------------|----------------|----------|--------------------------------------|----------------------------|
| 0 | 0 | 0 | 0 | 0 | 0 | WRITE CONTROL REGISTER | DMA INSTRUCTIONS |
| 0 | 0 | 0 | 0 | 1 | 1 | READ CONTROL REGISTER | |
| 0 | 0 | 0 | 1 | 0 | 2 | READ WORD COUNTER | |
| 0 | 0 | 0 | 1 | 1 | 3 | READ ADDRESS COUNTER | |
| 0 | 0 | 1 | 0 | 0 | 4 | REINITIALIZE COUNTERS | |
| 0 | 0 | 1 | 0 | 1 | 5 | LOAD ADDRESS | |
| 0 | 0 | 1 | 1 | 0 | 6 | LOAD WORD COUNT | |
| 0 | 0 | 1 | 1 | 1 | 7 | ENABLE COUNTERS | |
| 1 | 0 | X | X | X | 0-7 | INSTRUCTION DISABLE | |
| 0 | 1 | 0 | 0 | 0 | 8 | WRITE CONTROL REGISTER, T/C | TIMER/COUNTER INSTRUCTIONS |
| 0 | 1 | 0 | 0 | 1 | 9 | REINITIALIZE ADDRESS COUNTER | |
| 0 | 1 | 0 | 1 | 0 | A | READ WORD COUNTER, T/C | |
| 0 | 1 | 0 | 1 | 1 | B | READ ADDRESS COUNTER, T/C | |
| 0 | 1 | 1 | 0 | 0 | C | REINITIALIZE ADDRESS & WORD COUNTERS | |
| 0 | 1 | 1 | 0 | 1 | D | LOAD ADDRESS, T/C | |
| 0 | 1 | 1 | 1 | 0 | E | LOAD WORD COUNT, T/C | |
| 0 | 1 | 1 | 1 | 1 | F | REINITIALIZE WORD COUNTER | |
| 1 | 1 | X | X | X | 8-F | INSTRUCTION DISABLE, T/C | |

0 = LOW 1 = HIGH X = DON'T CARE

- Notes: 1. When I₃ is tied LOW, the Am2941 acts as a DMA circuit; When I₃ is tied HIGH, the Am2941 acts as a Timer/Counter circuit.
 2. Am2941 instructions 0 through 7 are the same as Am2940 instructions.

Figure 3. Am2941 Instructions.

DATA inputs D₀-D₇ are written into both the Word Count Register and Word Counter. In Control Mode 1, DATA inputs D₀-D₇ are written into the Word Count Register and the Word Counter is cleared.

The READ ADDRESS COUNTER instruction gates the Address Counter to Data Multiplexer outputs, Y₀-Y₇, and the LOAD ADDRESS instruction writes DATA inputs D₀-D₇ into both the Address Register and Address Counter.

In Control Modes 0, 1, and 3, the ENABLE COUNTERS instruction enables both the Address and Word Counters; in Control Mode 2, the Address Counter is enabled and the Word Counter holds its contents. When enabled and the carry input is active, the counters increment on the LOW to HIGH transition of the CLOCK input, CP. Thus, with this instruction applied, counting can be controlled by the carry inputs.

The REINITIALIZE COUNTERS instruction also is Control Mode dependent. In Control Modes 0, 2, and 3, the contents of the Address Register and Word Count Register are transferred to the respective Address Counter and Word Counter; in Control Mode 1, the content of the Address Register is transferred to the Address Counter and the Word Counter is

cleared. The REINITIALIZE COUNTERS instruction allows a data transfer operation to be repeated without reloading the address and word count from the DATA lines.

When $\overline{I_E}$ is HIGH, Instruction inputs, I₀-I₂, are disabled. If I₃ is LOW, the function performed is identical to that of the ENABLE COUNTERS instruction. Thus, counting can be controlled by the carry inputs with the ENABLE COUNTERS instruction applied or with Instruction Inputs I₀-I₂ disabled.

Instructions 8-F facilitate the use of the Am2941 as a Programmable Timer/Counter. They differ from instructions 0-7 in that they provide independent control of the Address Counter, Word Counter and Control Register.

The WRITE CONTROL REGISTER, T/C instruction writes DATA input D₀-D₂ into the Control Register. DATA inputs D₃-D₇ are "don't care" inputs for this instruction. The Address and Word Counters are enabled, and the Control Register contents appear at the Data Multiplexer output.

The REINITIALIZE ADDRESS COUNTER instruction allows the independent reinitialization of the Address Counter. The Word Counter is enabled and the contents of the Address Counter appear at the Data Multiplexer output.

The Word Counter can be read, using the READ WORD COUNTER, T/C instruction. Both counters are enabled when this instruction is executed.

When the READ ADDRESS COUNTER, T/C instruction is executed, both counters are enabled and the address counter contents appear at the Data Multiplexer output.

The REINITIALIZE ADDRESS and WORD COUNTERS instruction provides the capability to reinitialize both counters at the same time. The Address Counter contents appear at the Data Multiplexer output.

DATA inputs D_0 - D_7 are loaded into both the Address Register and Counter when the LOAD ADDRESS, T/C instruction is

executed. The Word Counter is enabled and its contents appear at the Data Multiplexer output.

The LOAD WORD COUNT, T/C instruction is identical to the LOAD WORD COUNT instruction with the exception that Address Counter is enabled.

The Word Counter can be independently reinitialized using the REINITIALIZE WORD COUNTER instruction. The Address Counter is enabled and the Word Counter contents appear at the Data Multiplexer output.

When the $\overline{I_E}$ input is HIGH, Instruction inputs, I_0 - I_2 , are disabled. The function performed when I_3 is HIGH is identical to that performed when I_3 is LOW, with the exception that the Word Counter contents appear at the Data Multiplexer output.

| $\overline{I_E}$ | $I_3 I_2 I_1 I_0$ (Hex) | Function | Mnemonic | Control Mode | Word Reg. | Word Counter | Adr. Reg. | Adr. Counter | Control Reg. | Data Multiplexer Output |
|------------------|----------------------------|--|----------|--------------|--------------------|-----------------------|--------------------|---------------------|--------------------------|-------------------------|
| L | 0 | WRITE CONTROL REGISTER | WRCR | 0, 1, 2, 3 | HOLD | HOLD | HOLD | HOLD | $D_{0-2} \rightarrow CR$ | FORCED HIGH |
| L | 1 | READ CONTROL REGISTER | RDCR | 0, 1, 2, 3 | HOLD | HOLD | HOLD | HOLD | HOLD | CONTROL REG. |
| L | 2 | READ WORD COUNTER | RDWC | 0, 1, 2, 3 | HOLD | HOLD | HOLD | HOLD | HOLD | WORD COUNTER |
| L | 3 | READ ADDRESS COUNTER | RDAC | 0, 1, 2, 3 | HOLD | HOLD | HOLD | HOLD | HOLD | ADR. COUNTER |
| L | 4 | REINITIALIZE COUNTERS | REIN | 0, 2, 3 | HOLD | WR \rightarrow WC | HOLD | AR \rightarrow AC | HOLD | ADR. CNTR. |
| | | | | 1 | HOLD | ZERO \rightarrow WC | HOLD | AR \rightarrow AC | HOLD | ADR. CNTR. |
| L | 5 | LOAD ADDRESS | LDAD | 0, 1, 2, 3 | HOLD | HOLD | D \rightarrow AR | D \rightarrow AC | HOLD | WORD COUNTER |
| L | 6 | LOAD WORD COUNTER | LDWC | 0, 2, 3 | D \rightarrow WR | D \rightarrow WC | HOLD | HOLD | HOLD | FORCED HIGH |
| | | | | 1 | D \rightarrow WR | ZERO \rightarrow WC | HOLD | HOLD | HOLD | FORCED HIGH |
| L | 7 | ENABLE COUNTERS | ENCT | 0, 1, 3 | HOLD | ENABLE | HOLD | ENABLE | HOLD | ADR. CNTR. |
| | | | | 2 | HOLD | HOLD | HOLD | ENABLE | HOLD | ADR. CNTR. |
| H | 0-7 | INSTRUCTION DISABLE | - | 0, 1, 3 | HOLD | ENABLE | HOLD | ENABLE | HOLD | ADR. CNTR. |
| | | | | 2 | HOLD | HOLD | HOLD | ENABLE | HOLD | ADR. CNTR. |
| L | 8 | WRITE CONTROL REGISTER, T/C | WCRT | 0, 1, 2, 3 | HOLD | ENABLE | HOLD | ENABLE | $D_{0-2} \rightarrow CR$ | CONTROL REG. |
| L | 9 | REINITIALIZE ADR. COUNTER | REAC | 0, 1, 2, 3 | HOLD | ENABLE | HOLD | AR \rightarrow AC | HOLD | ADR. COUNTER |
| L | A | READ WORD COUNTER, T/C | RWCT | 0, 1, 2, 3 | HOLD | ENABLE | HOLD | ENABLE | HOLD | WORD COUNTER |
| L | B | READ ADDRESS COUNTER, T/C | RACT | 0, 1, 2, 3 | HOLD | ENABLE | HOLD | ENABLE | HOLD | ADR. COUNTER |
| L | C | REINITIALIZE ADDRESS AND WORD COUNTERS | RAWC | 0, 2, 3 | HOLD | WR \rightarrow WC | HOLD | AR \rightarrow AC | HOLD | ADR. CNTR. |
| | | | | 1 | HOLD | ZERO \rightarrow WC | HOLD | AR \rightarrow AC | HOLD | ADR. CNTR. |
| L | D | LOAD ADDRESS, T/C | LDAT | 0, 1, 2, 3 | HOLD | ENABLE | D \rightarrow AR | D \rightarrow AC | HOLD | WORD COUNTER |
| L | E | LOAD WORD COUNTER, T/C | LWCT | 0, 2, 3 | D \rightarrow WR | D \rightarrow WC | HOLD | ENABLE | HOLD | FORCED HIGH |
| | | | | 1 | D \rightarrow WR | ZERO \rightarrow WC | HOLD | ENABLE | HOLD | FORCED HIGH |
| L | F | REINITIALIZE WORD COUNTER | REWC | 0, 2, 3 | HOLD | WR \rightarrow WC | HOLD | ENABLE | HOLD | WD. CNTR. |
| | | | | 1 | HOLD | ZERO \rightarrow WC | HOLD | ENABLE | HOLD | WD. CNTR. |
| H | 8-F | INSTRUCTION DISABLE, T/C | - | 0, 1, 3 | HOLD | ENABLE | HOLD | ENABLE | HOLD | WD. CNTR. |
| | | | | 2 | HOLD | HOLD | HOLD | ENABLE | HOLD | WD. CNTR. |

WR = WORD REGISTER AC = ADDRESS COUNTER
 WC = WORD COUNTER CR = CONTROL REGISTER
 AR = ADDRESS REGISTER D = DATA

Figure 4. Am2941 Function Table

APPLICATIONS

Figure 5 shows an Am2941 used as two independent, programmable eight-bit timer/counters. In this example, an Am2910 Microprogram Sequencer provides an address to Am29775 512 x 8 Registered PROM's. The on-chip PROM output register is used as the Microinstruction Register.

The Am2941 Instruction input, I_3 , is tied HIGH to select the eight Timer/Counter instructions. The I_E , I_0 - I_2 , and OE_D inputs are provided by the microinstruction, and the D_0 - D_7 data lines are connected to a common Data Bus. GATE WC and GATE AC are separate enable controls for the respective Word Counter and Address Counter. The DONE, \overline{ACO} and \overline{WCO}

output signals indicate that a pre-programmed time or count has been reached.

Figure 6 shows an Am2941 used as a single 16-bit, programmable timer/counter. In this example, the Word Counter carry-out, \overline{WCO} , is connected to the Address Counter carry-in, \overline{ACI} , to form a single 16-bit counter which is enabled by the GATE signal.

Figure 7 shows two Am2941's cascaded to form a 32-bit programmable timer/counter. The two Word Counters form the low order 16 bits, and the two Address Counters form the high order bits. This allows the timer/counter to be loaded and read 16 bits at a time.

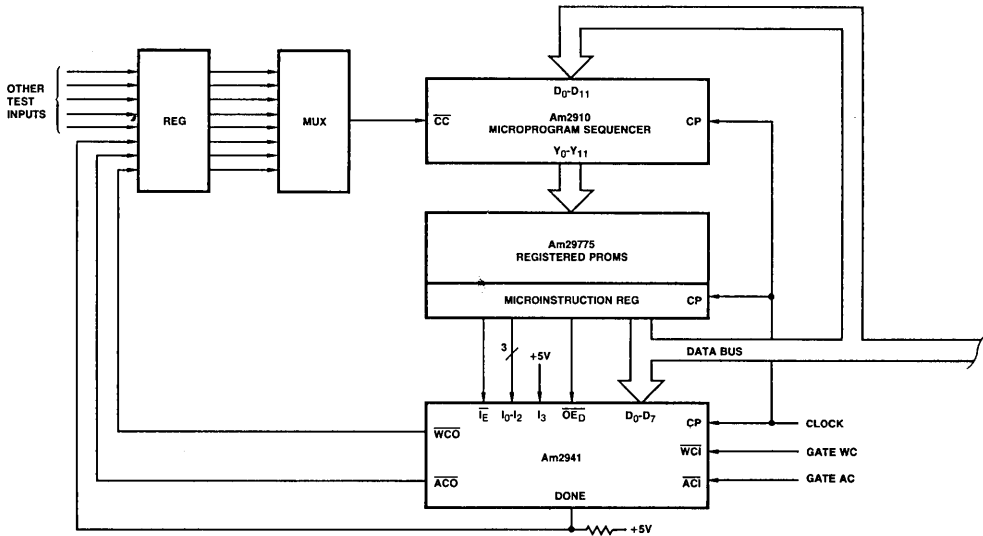


Figure 5. Two 8-Bit Programmable Counters/Timers In a 22-Pin Package

MPR-234

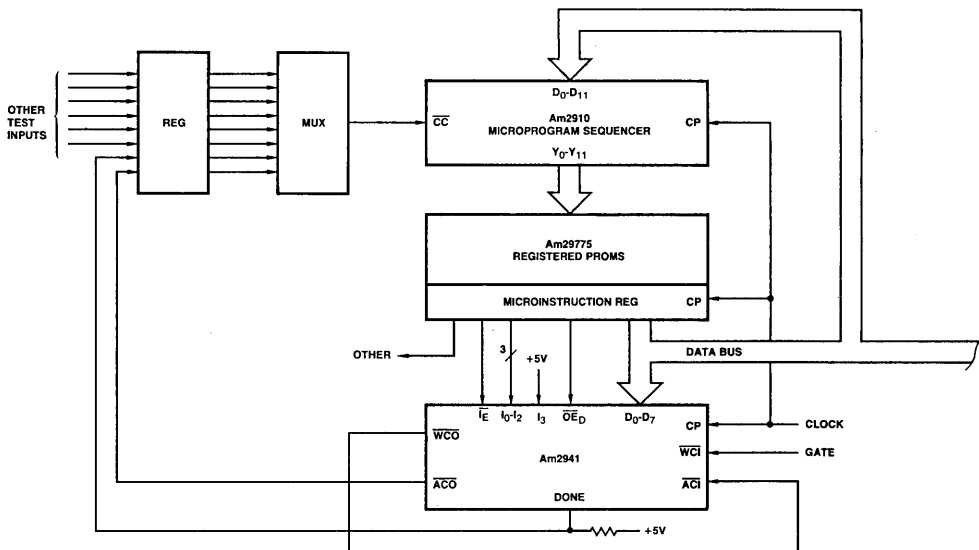


Figure 6. 16-Bit Programmable Counter/Timer Using a Single Am2941

MPR-235

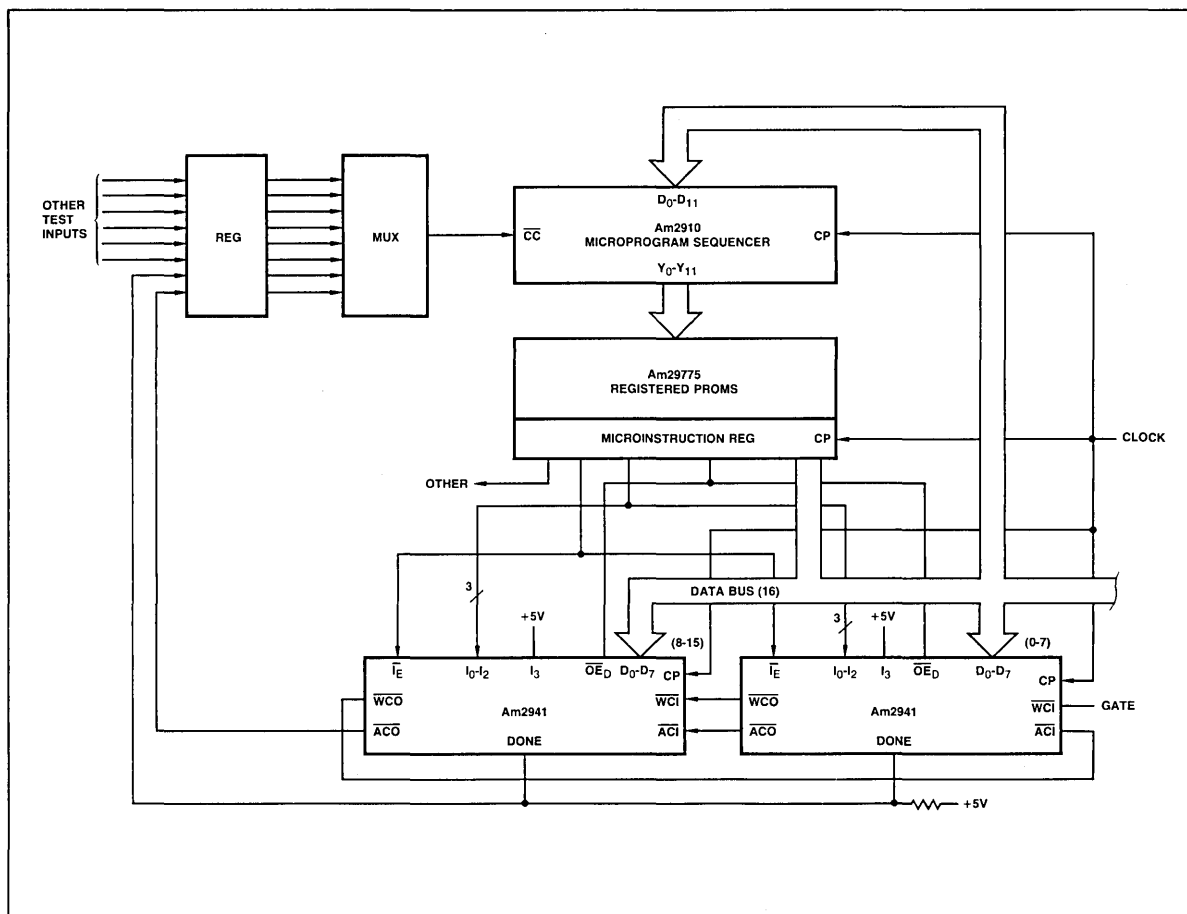


Figure 7. 32-Bit Programmable Counter/Timer Using Two Am2941's

MPR-236

ORDERING INFORMATION

Order the part number according to the table below to obtain the desired package, temperature range, and screening level.

| Order Number | Package Type (Note 1) | Temperature Range (Note 2) | Screening Level (Note 3) |
|--------------|--------------------------|-------------------------------|--|
| AM2941PC | P-22 | C | C-1 |
| AM2941DC | D-22 | C | C-1 |
| AM2941DC-B | D-22 | C | B-1 |
| AM2941DM | D-22 | M | C-3 |
| AM2941DM-B | D-22 | M | B-3 |
| AM2941FM | F-22 | M | C-3 |
| AM2941FM-B | F-22 | M | B-3 |
| AM2941XC | Dice | C | Visual inspection to MIL-STD-883 Method 2010B. |
| AM2941XM | Dice | M | |

- Notes: 1. P -- Molded DIP, D = Hermetic DIP, F = Flat Pak. Number following letter is number of leads. See Appendix B for detailed outline. Where Appendix B contains several dash numbers, any of the variations of the package may be used unless otherwise specified.
 2. C = 0°C to +70°C, M = -55°C to +125°C.
 3. See Appendix A for details of screening. Levels C-1 and C-3 conform to MIL-STD-883, Class C. Level B-3 conforms to MIL-STD-883, Class B.

Am2950 • Am2951

8-Bit Parallel I/O Port

ADVANCED INFORMATION

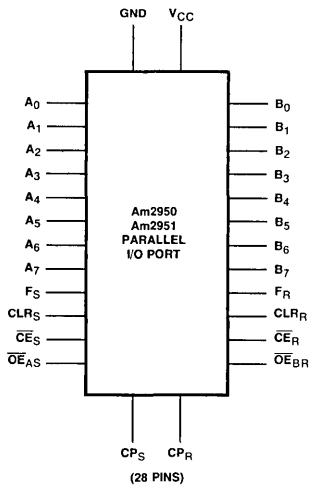
DISTINCTIVE CHARACTERISTICS

- Two Eight-Bit Registers
Store data moving in either direction between two buses.
- On-Chip Flag Flip-Flops
Flag sets whenever data is loaded into a register.
- Edge-Sensitive Flag Clear
Flag Flip-Flops can be reset when data is taken by a transition on the clear line.
- Independent Clocks for each direction
- 24mA output current sink.

FUNCTIONAL DESCRIPTION

The parallel I/O port is designed as an extension of the 2900 Microprocessor bit slice family and will supply the data I/O port requirements with considerable flexibility. The device provides a temporary store for one word in each direction (two registers of eight bits each) that are interconnected to provide a bidirectional buffer for an 8-bit byte. Each register has provision for loading clock (CP_R and CP_S), a clock enable (\overline{CE}_R and \overline{CE}_S), a tri-state output enable (\overline{OE}_{AS} and \overline{OE}_{BR}). Two flag bits are provided (F_R and F_S); the flags are reset on the Low to High transition of the CLR_R , CLR_S inputs. The flag is set when either register is loaded. Each flag and register has independent control, thus allowing multiple usage of the part in a bidirectional mode. Two versions are available; Am2950 non-inverting data output and the Am2951 inverting data output.

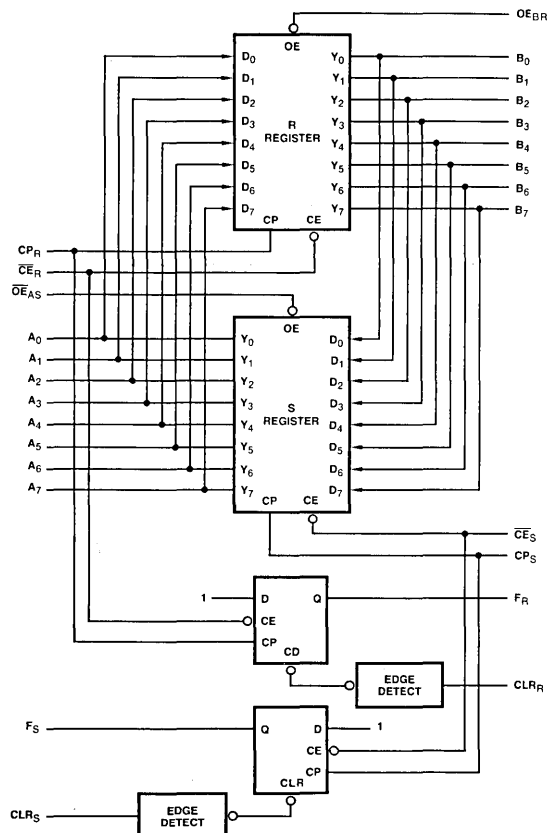
LOGIC SYMBOL



Am2950 Non-Inverting Data
Am2951 Inverting Data

MPR-237

BLOCK DIAGRAM



MPR-238

Am29700 • Am29701

Non-Inverting Schottky 64-Bit Random Access Memories

DISTINCTIVE CHARACTERISTICS

- Fully decoded 16-word x 4-bit Low-power Schottky RAMs
- Ultra-high speed: Address access time typically 15ns
- Low Power: I_{CC} typically 75mA
- Internal ECL circuitry for optimum speed/power performance over voltage and temperature
- Output preconditioned during write to eliminate write recovery glitch
- Available with three-state outputs (Am29701) or with open collector outputs (Am29700)
- 100% reliability assurance testing in compliance with MIL-STD-883
- Electrically tested and optically inspected die for the assemblers of hybrid products

FUNCTIONAL DESCRIPTION

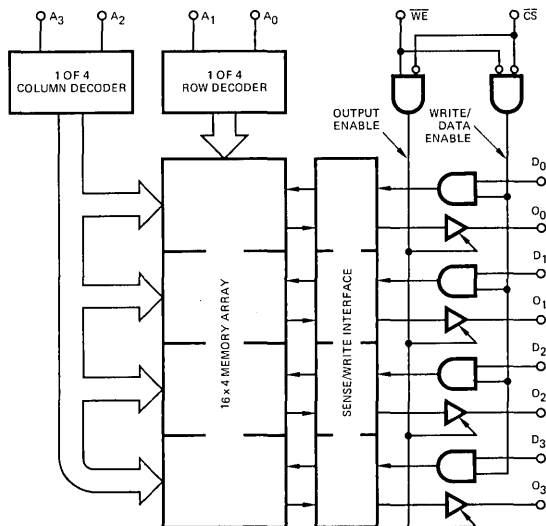
The Am29700 and Am29701 are 64-bit RAMs built using Schottky diode clamped transistors in conjunction with internal ECL circuitry and are ideal for use in scratch pad and high-speed buffer memory applications. Each memory is organized as a fully decoded 16-word memory of 4 bits per word. Easy memory expansion is provided by an active LOW chip select (\overline{CS}) input and open collector OR tieable outputs (Am29700) or three-state outputs (Am29701). Chip selection for large memory systems can be controlled by active LOW output decoders such as the Am74S138.

An active LOW Write line \overline{WE} controls the writing/reading operation of the memory. When the chip select and write lines are LOW the information on the four data inputs D_0 to D_3 is written into the addressed memory word and preconditions the output circuitry so that true data is present at the outputs when the write cycle is complete. This preconditioning operation insures minimum write recovery times by eliminating the "write recovery glitch".

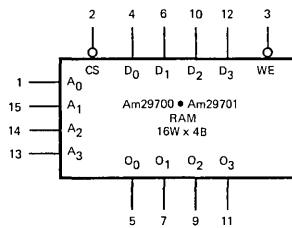
Reading is performed with the chip select line LOW and the write line HIGH. The information stored in the addressed word is read out on the four non-inverting outputs O_0 to O_3 .

During the writing operation or when the chip select line is HIGH the four outputs of the memory go to an inactive high impedance state.

LOGIC BLOCK DIAGRAM



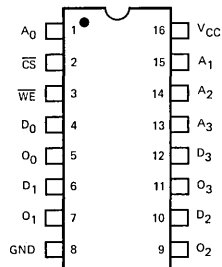
LOGIC SYMBOL



V_{CC} = Pin 16
GND = Pin 8

MPR-240

CONNECTION DIAGRAM Top View



Note: Pin 1 is marked for orientation.

MPR-241

MPR-239

Am29700 • Am29701

MAXIMUM RATINGS (Above which the useful life may be impaired)

| | |
|--|-------------------------------|
| Storage Temperature | -65°C to +150°C |
| Temperature (Ambient) Under Bias | -55°C to +125°C |
| Supply Voltage to Ground Potential (Pin 16 to Pin 8) | -0.5V to +7V |
| DC Voltage Applied to Outputs for High Output State | -0.5V to V _{CC} max. |
| DC Input Voltage | -0.5V to +5.5V |
| Output Current, Into Outputs | 100mA |
| DC Input Current | -30mA to +5.0mA |

OPERATING RANGE

| Part No. | V _{CC} | Ambient Temperature |
|--|-----------------|---------------------|
| Commercial Grade Am29700APC, DC Am29701APC, DC | 5.0V ±5% | 0°C to +75°C |
| Military Grade Am29700ADM, FM Am29701ADM, FM | 5.0V ±10% | -55°C to +125°C |

ELECTRICAL CHARACTERISTICS OVER OPERATING RANGE (Unless Otherwise Noted)

| Parameters | Description | D. C. | | Min. | Typ. (Note 1) | Max. | Units | |
|-----------------------------------|------------------------------|---|---|------------|------------------|--------|--------|-------|
| | | Test Conditions | | | | | | |
| V _{OH} (Am29701 Only) | Output HIGH Voltage | V _{CC} = MIN., V _{IN} = V _{IH} or V _{IL} | I _{OH} = -5.2mA | COM'L | 2.4 | 3.6 | Volts | |
| | | | I _{OH} = -2.0mA | MIL | | | | |
| V _{OL} | Output LOW Voltage | V _{CC} = MIN., V _{IN} = V _{IH} or V _{IL} | I _{OL} = 16mA | | | 0.350 | 0.45 | Volts |
| | | | I _{OL} = 20mA | | | 0.380 | 0.5 | |
| V _{IH} | Input HIGH Level | Guaranteed input logical HIGH voltage for all inputs | | | 2.0 | | | Volts |
| V _{IL} | Input LOW Level | Guaranteed input logical LOW voltage for all inputs | | | | | 0.8 | Volts |
| I _{IL} | Input LOW Current | V _{CC} = MAX., V _{IN} = 0.40V | WE, D ₀ -D ₃ , A ₀ -A ₃ | | | -0.015 | -0.250 | mA |
| | | | CS | | | -0.030 | -0.250 | |
| I _{IH} | Input HIGH Current | V _{CC} = MAX., V _{IN} = 2.4V | | | | 0.0 | 10 | μA |
| I _{SC} (Am29701 Only) | Output Short Circuit Current | V _{CC} = MAX., V _{OUT} = 0.0V | | | -20 | -45 | -90 | mA |
| I _{CC} | Power Supply Current | All inputs = GND V _{CC} = MAX. | | COM'L | | 75 | 100 | mA |
| | | | | MIL | | 75 | 105 | |
| V _C | Input Clamp Voltage | V _{CC} = MIN., I _{IIN} = -18mA | | | | -0.850 | -1.2 | Volts |
| I _C EX | Output Leakage Current | V _{CS} = V _{IH} or V _{WE} = V _{IL} V _{OUT} = 2.4V | | Am29700/01 | | 0 | 40 | μA |
| | | V _{CS} = V _{IH} or V _{WE} = V _{IL} V _{OUT} = 0.4V, V _{CC} = MAX. | | Am29701 | -40 | 0 | | μA |

Note 1. Typical limits are at V_{CC} = 5.0V and T_A = 25°C.

FUNCTION TABLE

| Input | | Function | Data Output Status O ₀ -3 |
|-------|------------|----------|---|
| CE | WE | | |
| Low | Low | Write | Output Disabled |
| Low | High | Read | Selected Word |
| High | Don't Care | Deselect | Output and Write Disabled |

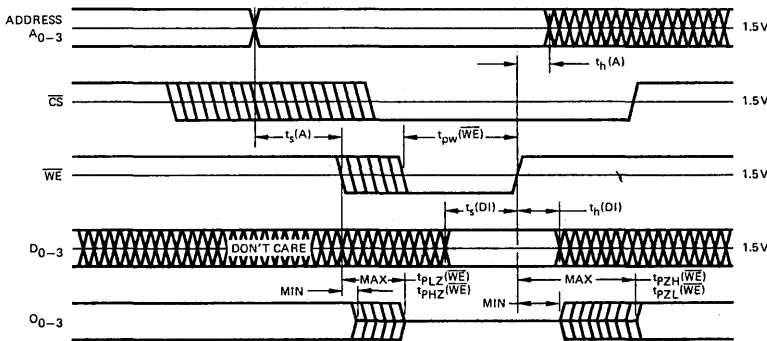
SWITCHING CHARACTERISTICS OVER OPERATING RANGE (Unless Otherwise Noted)

| Parameters | Description | | A. C. | Typ. | COM'L | | MIL | | Units |
|--------------------------|--|------------|--|----------|-------|------|------|------|-------|
| | | | Test Conditions | (Note 1) | Min. | Max. | Min. | Max. | |
| $t_{PLH}(A)$ | Delay from Address to Output | See Fig. 2 | Fig. 3 test load (measured to output = 1.5V) | 15 | | 25 | 30 | ns | |
| $t_{PHL}(A)$ | | | | | | | | | |
| $t_{PZH}(\overline{CS})$ | Delay from Chip Select (LOW) to Active Output and Correct Data | See Fig. 2 | | 10 | | 15 | 20 | ns | |
| $t_{PZL}(\overline{CS})$ | | | | | | | | | |
| $t_{PZH}(\overline{WE})$ | Delay from Write Enable (HIGH) to Active Output and Correct Data (Write Recovery - See Note 2) | See Fig. 1 | | 12 | | 20 | 25 | ns | |
| $t_{PZL}(\overline{WE})$ | | | | | | | | | |
| $t_s(A)$ | Set-up Time Address (Prior to Initiation of Write) | See Fig. 1 | | -6.0 | 0 | | 0 | ns | |
| $t_h(A)$ | Hold Time Address (After Termination of Write) | See Fig. 1 | | -2.5 | 0 | | 0 | ns | |
| $t_s(DI)$ | Set-up Time Data Input (Prior to Termination of Write) | See Fig. 1 | | 9.0 | 20 | | 25 | ns | |
| $t_h(DI)$ | Hold Time Data Input (After Termination of Write) | See Fig. 1 | | -4.0 | 0 | | 0 | ns | |
| $t_{pw}(\overline{WE})$ | Min. Write Enable Pulse Width to Insure Write | See Fig. 1 | | 10 | 20 | | 25 | ns | |
| $t_{PHZ}(\overline{CS})$ | Delay from Chip Select (HIGH) to Inactive Output (HI-Z) | See Fig. 2 | 10 | | 15 | | 20 | ns | |
| $t_{PLZ}(\overline{CS})$ | | | | | | | | | |
| $t_{PLZ}(\overline{WE})$ | Delay from Write Enable (LOW) to Inactive Output (HI-Z) | See Fig. 1 | 12 | | 20 | | 25 | ns | |
| $t_{PHZ}(\overline{WE})$ | | | | | | | | | |

Notes: 1. Typical limits are at $V_{CC} = 5.0V$ and $T_A = 25^\circ C$.

2. Output is preconditioned to data in during write to insure correct data is present on all outputs when write is terminated. (No write recovery glitch)

SWITCHING WAVEFORMS



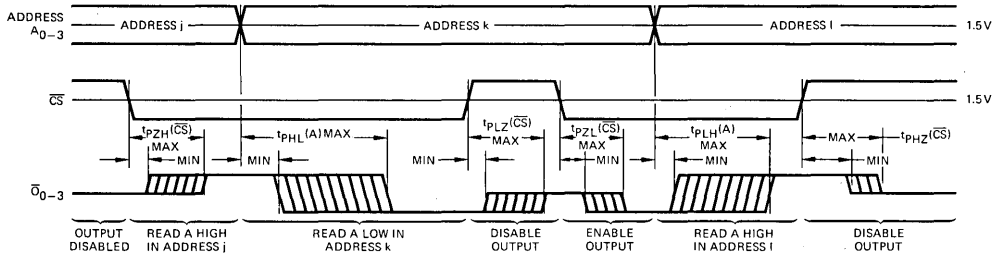
KEY TO TIMING DIAGRAM

| WAVEFORM | INPUTS | OUTPUTS |
|----------|----------------------------------|---|
| — | MUST BE STEADY | WILL BE STEADY |
| ▨ | MAY CHANGE FROM H TO L | WILL BE CHANGING FROM H TO L |
| ▧ | MAY CHANGE FROM L TO H | WILL BE CHANGING FROM L TO H |
| ▩ | DON'T CARE: ANY CHANGE PERMITTED | CHANGING: STATE UNKNOWN |
| ▧ ▨ | DOES NOT APPLY | CENTER LINE IS HIGH IMPEDANCE "OFF" STATE |

Write Cycle Timing. The cycle is initiated by an address change. After $t_s(A)$ min., the write enable may begin. The chip select must also be LOW for writing. Following the write pulse, $t_h(A)$ min. must be allowed before the address may be changed again. The output will be inactive (floating for the Am29701) while the write enable is LOW.

Figure 1.

SWITCHING WAVEFORMS (Cont.)



Switching delays from address and chip select inputs to the data output. For the Am29701 disabled output is "OFF", represented by a single center line. For the Am29700, a disabled output is HIGH.

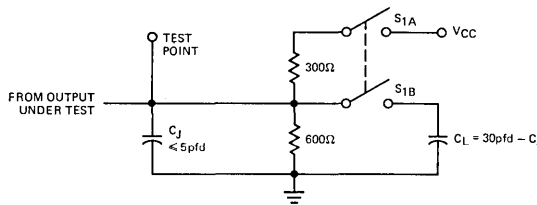
Figure 2.

MPR-243

TEST LOAD

Open Collector Am29700

S₁ is closed for all A. C. tests. Note that t_{PHZ}(CS) and t_{PHZ}(WE) parameters do not apply to 29700 where disabled output is HIGH.



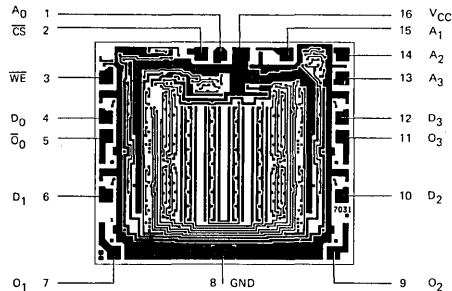
Three-State Am29701

S₁ is closed for all A. C. tests except t_{PHZ}(CS) and t_{PHZ}(WE) where S₁ is open and jig capacitance (C_J) is ≤ 5pfd.

Figure 3.

MPR-244

Metallization and Pad Layout



DIE SIZE
0.092" X 0.078"

ORDERING INFORMATION

Order the part number according to the table below to obtain the desired package, temperature range, and screening level.

| Open Collector Order Number | Three-State Order Number | Package Type (Note 1) | Temperature Range (Note 2) | Screening Level (Note 3) |
|-----------------------------|--------------------------|-----------------------|----------------------------|--|
| AM29700PC | AM29701PC | P-16 | C | C-1 |
| AM29700DC | AM29701DC | D-16 | C | C-1 |
| AM29700DC-B | AM29701DC-B | D-16 | C | B-1 |
| AM29700DM | AM29701DM | D-16 | M | C-3 |
| AM29700DM-B | AM29701DM-B | D-16 | M | B-3 |
| AM29700FM | AM29701FM | F-16 | M | C-3 |
| AM29700FM-B | AM29701FM-B | F-16 | M | B-3 |
| AM29700XC | AM29701XC | Dice | C | Visual inspection to MIL-STD-883 Method 2010B. |
| AM29700XM | AM29701XM | Dice | M | |

Notes: 1. P = Molded DIP, D = Hermetic DIP, F = Flat Pak. Number following letter is number of leads. See Appendix B for detailed outline. Where Appendix B contains several dash numbers, any of the variations of the package may be used unless otherwise specified.
2. C = 0°C to +70°C, M = -55°C to +125°C.
3. See Appendix A for details of screening. Levels C-1 and C-3 conform to MIL-STD-883, Class C. Level B-3 conforms to MIL-STD-883, Class B.

Am29702 • Am29703

Schottky 64-Bit Random Access Memories

DISTINCTIVE CHARACTERISTICS

- Fully decoded 16-word x 4-bit Low-power Schottky RAMs
- Ultra-high speed: Address access time typically 15ns
- Low Power: I_{CC} typically 75mA
- Internal ECL circuitry for optimum speed/power performance over voltage and temperature
- Output preconditioned during write to eliminate write recovery glitch
- Available with three-state outputs (Am29703) or with open collector outputs (Am29702)
- Pin compatible replacements for 3101, 3101A, 74S289, 93403, 7489, 6560 and Am27S02 (use Am29702) for 74S189, 6561, DM8599 and Am27S03, (use Am29703)
- 100% reliability assurance testing in compliance with MIL-STD-883
- Electrically tested and optically inspected die for the assemblers of hybrid products

FUNCTIONAL DESCRIPTION

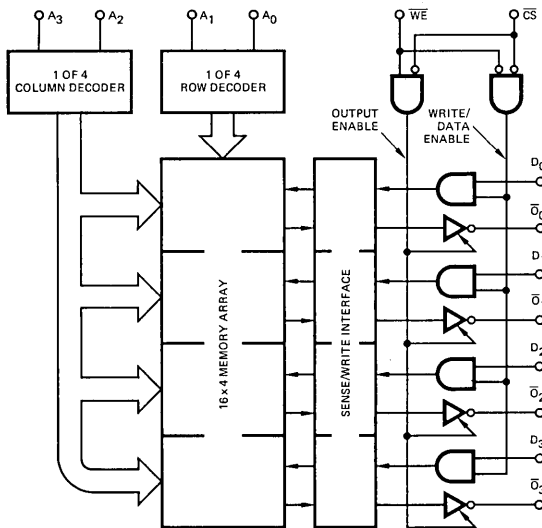
The Am29702 and Am29703 are 64-bit RAMs built using Schottky diode clamped transistors in conjunction with internal ECL circuitry and are ideal for use in scratch pad and high-speed buffer memory applications. Each memory is organized as a fully decoded 16-word memory of 4 bits per word. Easy memory expansion is provided by an active LOW chip select (\overline{CS}) input and open collector OR tieable outputs (Am29702) or three-state outputs (Am29703). Chip selection for large memory systems can be controlled by active LOW output decoders such as the Am74S138.

An active LOW Write line \overline{WE} controls the writing/reading operation of the memory. When the chip select and write lines are LOW the information on the four data inputs D_0 to D_3 is written into the addressed memory word and preconditions the output circuitry so that true data is present at the outputs when the write cycle is complete. This preconditioning operation insures minimum write recovery times by eliminating the "write recovery glitch".

Reading is performed with the chip select line LOW and the write line HIGH. The information stored in the addressed word is read out on the four inverting outputs \overline{O}_0 to \overline{O}_3 .

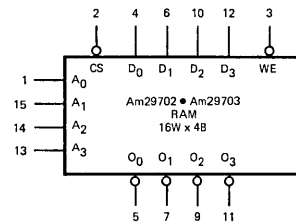
During the writing operation or when the chip select line is HIGH the four outputs of the memory go to an inactive high impedance state.

LOGIC BLOCK DIAGRAM



MPR-245

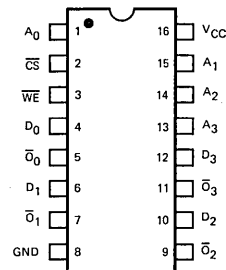
LOGIC SYMBOL



V_{CC} = Pin 16
GND = Pin 8

MPR-246

CONNECTION DIAGRAM To View



Note: Pin 1 is marked for orientation.

MPR-247

Am29702 • Am29703

MAXIMUM RATINGS (Above which the useful life may be impaired)

| | |
|--|------------------------|
| Storage Temperature | -65°C to +150°C |
| Temperature (Ambient) Under Bias | -55°C to +125°C |
| Supply Voltage to Ground Potential (Pin 16 to Pin 8) | -0.5V to +7V |
| DC Voltage Applied to Outputs for High Output State | -0.5V to V_{CC} max. |
| DC Input Voltage | -0.5V to +5.5V |
| Output Current, Into Outputs | 100mA |
| DC Input Current | -30mA to +5.0mA |

OPERATING RANGE

| Part No. | V_{CC} | Ambient Temperature |
|--|----------------|---------------------|
| Commercial Grade Am29702PC, DC Am29703PC, DC | 5.0V \pm 5% | 0°C to +75°C |
| Military Grade Am29702DM, FM Am29703DM, FM | 5.0V \pm 10% | -55°C to +125°C |

ELECTRICAL CHARACTERISTICS OVER OPERATING RANGE (Unless Otherwise Noted)

| Parameters | Description | D. C. | | Min. | Typ. (Note 1) | Max. | Units |
|----------------------------|------------------------------|--|-----------------------------------|-------|------------------|------|---------------|
| | | Test Conditions | | | | | |
| V_{OH} (Am29703 Only) | Output HIGH Voltage | $V_{CC} = \text{MIN.}$ $V_{IN} = V_{IH}$ or V_{IL} | $I_{OH} = -5.2\text{mA}$ | COM'L | 2.4 | 3.6 | Volts |
| | | | $I_{OH} = -2.0\text{mA}$ | MIL | | | |
| V_{OL} | Output LOW Voltage | $V_{CC} = \text{MIN.}$ $V_{IN} = V_{IH}$ or V_{IL} | $I_{OL} = 16\text{mA}$ | | 0.350 | 0.45 | Volts |
| | | | $I_{OL} = 20\text{mA}$ | | 0.380 | 0.5 | |
| V_{IH} | Input HIGH Level | Guaranteed input logical HIGH voltage for all inputs | | 2.0 | | | Volts |
| V_{IL} | Input LOW Level | Guaranteed input logical LOW voltage for all inputs | | | | 0.8 | Volts |
| I_{IL} | Input LOW Current | $V_{CC} = \text{MAX.}$ $V_{IN} = 0.40\text{V}$ | $\overline{WE}, D_0-D_3, A_0-A_3$ | | -0.015 | -0.1 | mA |
| | | | \overline{CS} | | -0.030 | -0.1 | |
| I_{IH} | Input HIGH Current | $V_{CC} = \text{MAX.}$, $V_{IN} = 2.4\text{V}$ | | | 0.0 | 10 | μA |
| I_{SC} (Am29703 Only) | Output Short Circuit Current | $V_{CC} = \text{MAX.}$, $V_{OUT} = 0.0\text{V}$ | | -20 | -45 | -90 | mA |
| I_{CC} | Power Supply Current | All inputs = GND $V_{CC} = \text{MAX.}$ | COM'L | | 75 | 100 | mA |
| | | | MIL | | 75 | 105 | |
| V_C | Input Clamp Voltage | $V_{CC} = \text{MIN.}$, $I_{IN} = -18\text{mA}$ | | | -0.850 | -1.2 | Volts |
| I_{CEX} | Output Leakage Current | $V_{CS} = V_{IH}$ or $V_{WE} = V_{IL}$ $V_{OUT} = 2.4\text{V}$ | Am29702/03 | | 0 | 40 | μA |
| | | $V_{CS} = V_{IH}$ or $V_{WE} = V_{IL}$ $V_{OUT} = 0.4\text{V}$, $V_{CC} = \text{MAX.}$ | Am29703 | -40 | 0 | | μA |

Note 1. Typical limits are at $V_{CC} = 5.0\text{V}$ and $T_A = 25^\circ\text{C}$.

FUNCTION TABLE

| Input | | Function | Data Output Status \overline{O}_0-3 |
|-----------------|-----------------|----------|--|
| \overline{CE} | \overline{WE} | | |
| Low | Low | Write | Output Disabled |
| Low | High | Read | Selected Word (Inverted) |
| High | Don't Care | Deselect | Output and Write Disabled |

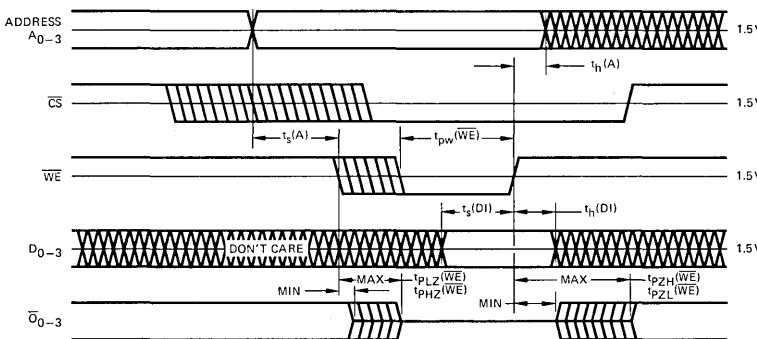
SWITCHING CHARACTERISTICS OVER OPERATING RANGE (Unless Otherwise Noted)

| Parameters | Description | A. C. Test Conditions | Typ. (Note 1) | COM'L | | MIL | | Units | |
|--------------------------|--|-----------------------|--|-------|------|------|------|-------|----|
| | | | | Min. | Max. | Min. | Max. | | |
| $t_{PLH}(A)$ | Delay from Address to Output | See Fig. 2 | Fig. 3 test load (measured to output = 1.5V) | 15 | | 25 | | 30 | ns |
| $t_{PHL}(A)$ | | | | | | | | | |
| $t_{PZH}(\overline{CS})$ | Delay from Chip Select (LOW) to Active Output and Correct Data | See Fig. 2 | | 10 | | 15 | | 20 | ns |
| $t_{PZL}(\overline{CS})$ | | | | | | | | | |
| $t_{PZH}(\overline{WE})$ | Delay from Write Enable (HIGH) to Active Output and Correct Data (Write Recovery – See Note 2) | See Fig. 1 | | 12 | | 20 | | 25 | ns |
| $t_{PZL}(\overline{WE})$ | | | | | | | | | |
| $t_s(A)$ | Set-up Time Address (Prior to Initiation of Write) | See Fig. 1 | | -6.0 | 0 | | 0 | | ns |
| $t_h(A)$ | Hold Time Address (After Termination of Write) | See Fig. 1 | | -2.5 | 0 | | 0 | | ns |
| $t_s(DI)$ | Set-up Time Data Input (Prior to Termination of Write) | See Fig. 1 | | 9.0 | 20 | | 25 | | ns |
| $t_h(DI)$ | Hold Time Data Input (After Termination of Write) | See Fig. 1 | | -4.0 | 0 | | 0 | | ns |
| $t_{pw}(\overline{WE})$ | Min. Write Enable Pulse Width to Insure Write | See Fig. 1 | 10 | 20 | | 25 | | ns | |
| $t_{PHZ}(\overline{CS})$ | Delay from Chip Select (HIGH) to Inactive Output (HI-Z) | See Fig. 2 | 10 | | 15 | | 20 | ns | |
| $t_{PLZ}(\overline{CS})$ | | | | | | | | | |
| $t_{PLZ}(\overline{WE})$ | Delay from Write Enable (LOW) to Inactive Output (HI-Z) | See Fig. 1 | 12 | | 20 | | 25 | ns | |
| $t_{PHZ}(\overline{WE})$ | | | | | | | | | |

Notes: 1. Typical limits are at $V_{CC} = 5.0V$ and $T_A = 25^\circ C$.

2. Output is preconditioned to data in (inverted) during write to insure correct data is present on all outputs when write is terminated. (No write recovery glitch)

SWITCHING WAVEFORMS



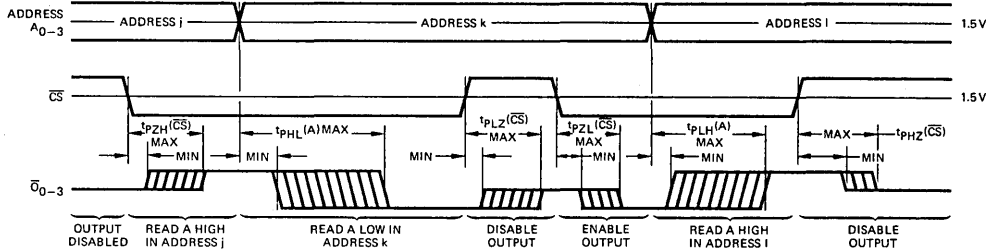
KEY TO TIMING DIAGRAM

| WAVEFORM | INPUTS | OUTPUTS |
|----------|----------------------------------|---|
| — | MUST BE STEADY | WILL BE STEADY |
| ▨ | MAY CHANGE FROM H TO L | WILL BE CHANGING FROM H TO L |
| ▧ | MAY CHANGE FROM L TO H | WILL BE CHANGING FROM L TO H |
| ▩ | DON'T CARE; ANY CHANGE PERMITTED | CHANGING; STATE UNKNOWN |
| ▧▨ | DOES NOT APPLY | CENTER LINE IS HIGH IMPEDANCE "OFF" STATE |

Write Cycle Timing. The cycle is initiated by an address change. After $t_s(A)$ min., the write enable may begin. The chip select must also be LOW for writing. Following the write pulse, $t_h(A)$ min. must be allowed before the address may be changed again. The output will be inactive (floating for the Am29703) while the write enable is LOW.

Figure 1.

SWITCHING WAVEFORMS (Cont.)



Switching delays from address and chip select inputs to the data output. For the Am29703 disabled output is "OFF", represented by a single center line. For the Am29702, a disabled output is HIGH.

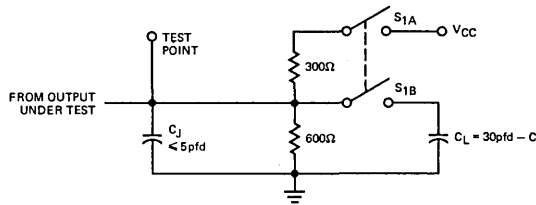
Figure 2.

MPR-249

TEST LOAD

Open Collector Am29702

S₁ is closed for all A. C. tests. Note that t_{PHZ}(CS) and t_{PHZ}(WE) parameters do not apply to 29702 where disabled output is HIGH.



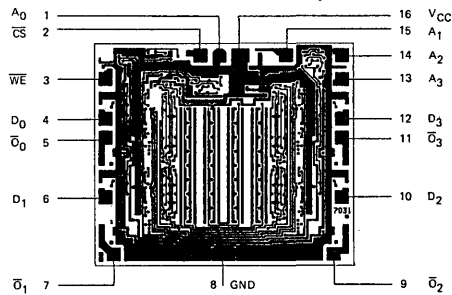
Three-State Am29703

S₁ is closed for all A. C. tests except t_{PHZ}(CS) and t_{PHZ}(WE) where S₁ is open and jig capacitance (C_j) is $\le 5\text{pfd}$.

Figure 3.

MPR-250

Metallization and Pad Layout



DIE SIZE
0.092" X 0.078"

ORDERING INFORMATION

Order the part number according to the table below to obtain the desired package, temperature range, and screening level.

| Open Collector Order Number | Three-State Order Number | Package Type (Note 1) | Temperature Range (Note 2) | Screening Level (Note 3) |
|-----------------------------|--------------------------|-----------------------|----------------------------|--|
| AM29702PC | AM29703PC | P-16 | C | C-1 |
| AM29702DC | AM29703DC | D-16 | C | C-1 |
| AM29702DC-B | AM29703DC-B | D-16 | C | B-1 |
| AM29702DM | AM29703DM | D-16 | M | C-3 |
| AM29702DM-B | AM29703DM-B | D-16 | M | B-3 |
| AM29702FM | AM29703FM | F-16 | M | C-3 |
| AM29702FM-B | AM29703FM-B | F-16 | M | B-3 |
| AM29702XC | AM29703XC | Dice | C | Visual inspection to MIL-STD-883 Method 2010B. |
| AM29702XM | AM29703XM | Dice | M | |

Notes: 1. P = Molded DIP, D = Hermetic DIP, F = Flat Pak. Number following letter is number of leads. See Appendix B for detailed outline. Where Appendix B contains several dash numbers, any of the variations of the package may be used unless otherwise specified.
 2. C = 0°C to +70°C, M = -55°C to +125°C.
 3. See Appendix A for details of screening. Levels C-1 and C-3 conform to MIL-STD-883, Class C. Level B-3 conforms to MIL-STD-883, Class B.

Am29704 • Am29705

16-Word By 4-Bit Two-Port RAM

Distinctive Characteristics

- 16-word by 4-bit, 2-port RAM
- Two output ports, each with separate output control
- Separate four-bit latches on each output port
- Data output is non-inverting with respect to data input

- Chip Select and Write Enable inputs for ease in cascading
- Advanced Low-Power Schottky processing
- 100% reliability testing in compliance with MIL-STD-883

FUNCTIONAL DESCRIPTION

The Am29704 and Am29705 are 16-word by 4-bit, two-port RAM's built using advanced Low-Power Schottky processing. These RAM's feature two separate output ports such that any two 4-bit words can be read from these outputs simultaneously. Each output port has a four-bit latch but a common Latch Enable (LE) input is used to control all eight latches. The device has two Write Enable (WE) inputs and is designed such that the Write Enable 1 (WE₁) and Latch Enable (LE) inputs can be wired together to make the operation of the RAM appear edge triggered.

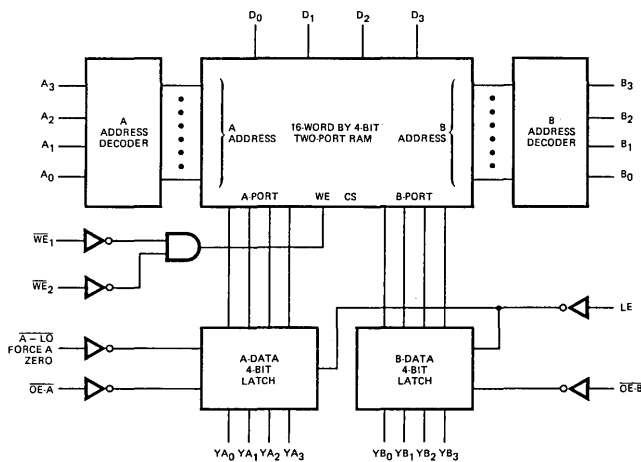
The device has a fully decoded four-bit A-address field to address any of the 16 memory words for the A-output port. Likewise, a four-bit B-address input is used to simultaneously select any of the 16 words for presentation at the B-output port. New incoming data is written into the four-bit RAM

word selected by the B-address. The D inputs are used to load new data into the device.

The Am29704 has open-collector outputs and the Am29705 features three-state outputs so that several devices can be cascaded to increase the total number of memory words in the system. The A-output port is in the high-impedance state when the $\overline{OE-A}$ input is HIGH. Likewise, the B-output port is in the high-impedance state when the $\overline{OE-B}$ input is HIGH. Four devices can be paralleled using only one Am25LS139 decoder for output control.

The Write Enable inputs control the writing of new data into the RAM. When both Write Enable inputs are LOW, new data is written into the word selected by the B-address field. When either Write Enable input is HIGH, no data is written into the RAM.

LOGIC DIAGRAM



MPR-251

CONNECTION DIAGRAM

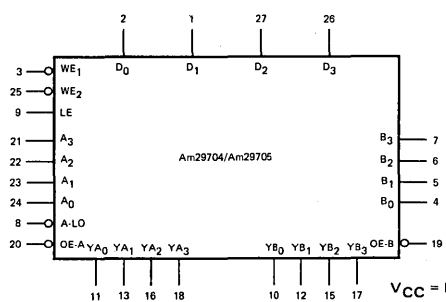
Top View



Note: Pin 1 is marked for orientation.

MPR-252

LOGIC SYMBOL



VCC = Pin 28
GND = Pin 14

MPR-253

Am29704 • Am29705

MAXIMUM RATINGS (Above which the useful life may be impaired)

| | |
|---|--------------------------------|
| Storage Temperature | -65°C to +150°C |
| Temperature (Ambient) Under Bias | -55°C to +125°C |
| Supply Voltage to Ground Potential Continuous | -0.5V to +7.0V |
| DC Voltage Applied to Outputs for HIGH Output State | -0.5V to +V _{CC} max. |
| DC Input Voltage | -0.5V to +5.5V |
| DC Output Current, Into Outputs | 30mA |
| DC Input Current | -30mA to +5.0mA |

ELECTRICAL CHARACTERISTICS OVER OPERATING TEMPERATURE RANGE (Unless Otherwise Noted)

Am29704XC, Am29705XC T_A = 0°C to +70°C V_{CC} = 5.0V ±5% (COM'L) MIN. = 4.75V MAX. = 5.25V

Am29704XM, Am29705XM T_A = -55°C to +125°C V_{CC} = 5.0V ±10% (MIL) MIN. = 4.50V MAX. = 5.50V

| Parameters | Description | Test Conditions (Note 1) | Min. | Typ. (Note 2) | Max. | Units |
|-----------------|---|--|----------------------------------|------------------|-------|-------|
| V _{OH} | Output HIGH Voltage (Am29705 Only) | V _{CC} = MIN. V _{IN} = V _{IH} or V _{IL} | MIL, I _{OH} = -2.0mA | 2.4 | | Volts |
| | | | COM'L, I _{OH} = -4.0mA | 2.4 | | |
| V _{OL} | Output LOW Voltage | V _{CC} = MIN. V _{IN} = V _{IH} or V _{IL} | I _{OL} = 4.0mA | | 0.4 | Volts |
| | | | I _{OL} = 8.0mA | | 0.45 | |
| | | | I _{OL} = 12mA | | 0.5 | |
| V _{IH} | Input HIGH Level | Guaranteed input logical HIGH voltage for all inputs | 2.0 | | | Volts |
| V _{IL} | Input LOW Level | Guaranteed input logical LOW voltage for all inputs | | | 0.8 | Volts |
| V _I | Input Clamp Voltage | V _{CC} = MIN., I _{IN} = -18mA | | | -1.5 | Volts |
| I _{IL} | Input LOW Current | V _{CC} = MAX., V _{IN} = 0.4V | A _i , B _i | | -0.25 | mA |
| | | | OE-A, OE-B | | -0.54 | |
| | | | Others | | -0.36 | |
| I _{IH} | Input HIGH Current | V _{CC} = MAX., V _{IN} = 2.7V | | | 20 | μA |
| I _I | Input HIGH Current | V _{CC} = MAX., V _{IN} = 5.5V | | | 0.1 | mA |
| I _O | Output OFF Current (Am29704 Only) | V _{CC} = MAX., V _{OH} = 5.5V V _{IN} = V _{IH} or V _{IL} | | | 100 | μA |
| I _O | Off State (High Impedance) Output Current (Am29705 Only) | V _{CC} = MAX. V _{IN} = V _{IH} or V _{IL} | V _O = 2.7V | | 20 | μA |
| | | | V _O = 0.4V | | -20 | |
| I _{SC} | Output Short Circuit Current (Note 3) (Am29705 Only) | V _{CC} = MAX. | -30 | | -85 | mA |
| I _{CC} | Power Supply Current | V _{CC} = MAX. (Worst case I _{CC} is at minimum temperature) (Note 4) | T _A = 25°C | 121 | 195 | mA |
| | | | T _A = 0°C to +70°C | | 210 | |
| | | | T _A = 70°C | | 170 | |
| | | | T _C = -55°C to +125°C | | 210 | |
| | | | T _C = 125°C | | 150 | |

Notes: 1. For conditions shown as MIN. or MAX., use the appropriate value specified under Electrical Characteristics for the applicable device type.

2. Typical limits are at V_{CC} = 5.0V, 25°C ambient and maximum loading.

3. Not more than one output should be shorted at a time. Duration of the short circuit test should not exceed one second.

4. All inputs grounded except OE-A and OE-B = 2.4V.

SWITCHING CHARACTERISTICS

(Input Levels = 0V and 3.0V, Transitions Measured at 1.5V)

Maximum Combinational Delays (in ns) (R_L = 390Ω, C_L = 50pF)

| Parameters | From | To | Conditions | T _A = 0°C to +70°C V _{CC} = 4.75 to 5.25V | | T _C = -55°C to +125°C V _{CC} = 4.5V to 5.5V | |
|---------------|---|------------------------------|--|--|---|--|--------------|
| | | | | Am29704 | Am29705 | Am29704 | Am29705 |
| | | | | Access Time | A Address Stable or B Address Stable | YA Stable or YB Stable | LE = HIGH |
| | Both \overline{WE} LOW | YB = D or YA = D (If A=B) | LE = HIGH | 53 | 45 | 58 (Note) | 48 (Note) |
| Turn-on Time | $\overline{OE-A}$ or $\overline{OE-B}$ LOW | YA or YB Stable | | 38 | 30 | 40 | 30 |
| Turn-Off Time | $\overline{OE-A}$ or $\overline{OE-B}$ HIGH | YA or YB Off | C _L = 5.0pF | 28 | 20 | 30 | 20 |
| Reset Time | A-LO LOW | YA LOW | | 43 | 35 | 45 | 35 |
| Enable Time | LE HIGH | YA and YB Stable | | 33 | 25 | 38 | 28 |
| | Data In | YA or YB = D | LE = HIGH, Both \overline{WE} LOW | 58 | 50 | 60 (Note) | 50 (Note) |

Note: Transparency not guaranteed below 0°C.

SWITCHING CHARACTERISTICS (Cont.)

(Input Levels = 0V and 3.0V, Transitions Measured at 1.5V)

Minimum Set-up and Hold Times (in ns)

| Parameters | From | To | Conditions | $T_A = 0^\circ\text{C to } +70^\circ\text{C}$ | $T_A = -55^\circ\text{C to } +125^\circ\text{C}$ |
|------------------------------------|-----------------------------|-----------------------------|-----------------------|---|--|
| | | | | $V_{CC} = 5.0\text{V} \pm 5\%$ | $V_{CC} = 5.0\text{V} \pm 10\%$ |
| | | | | Max. | Max. |
| Data Set-up Time | D Stable | Either \overline{WE} HIGH | | 20 | 25 |
| Data Hold Time | Either \overline{WE} HIGH | D Changing | | 3 | 5 |
| Address Set-up Time | B Stable | Both \overline{WE} LOW | | 5 | 5 |
| Address Hold Time | Either \overline{WE} HIGH | B Changing | | 0 | 0 |
| Latch Close | LE LOW | \overline{WE}_1 LOW | \overline{WE}_2 LOW | 0 | 0 |
| Before Write Begins | LE LOW | \overline{WE}_2 LOW | \overline{WE}_1 LOW | 0 | 0 |
| Address Set-up Before Latch Closes | A or B Stable | LE LOW | | 45 | 50 |

Minimum Pulse Widths

| Parameters | Input | Pulse | Conditions | $T_A = 0^\circ\text{C to } +70^\circ\text{C}$ | $T_A = -55^\circ\text{C to } +125^\circ\text{C}$ |
|---------------------|-------------------|---------------|-----------------------|---|--|
| | | | | $V_{CC} = 5.0\text{V} \pm 5\%$ | $V_{CC} = 5.0\text{V} \pm 10\%$ |
| | | | | Max. | Max. |
| Write Pulse Width | \overline{WE}_1 | HIGH-LOW-HIGH | \overline{WE}_2 LOW | 25 | 25 |
| | \overline{WE}_2 | HIGH-LOW-HIGH | \overline{WE}_1 LOW | 20 | 20 |
| A Latch Reset Pulse | A-LO | HIGH-LOW-HIGH | | 20 | 20 |
| Latch Data Capture | LE | LOW-HIGH-LOW | | 20 | 25 |

FUNCTION TABLES

WRITE CONTROL

| \overline{WE}_1 | \overline{WE}_2 | Function | RAM Outputs at Latch Inputs | |
|-------------------|-------------------|----------------|-----------------------------|---------------|
| | | | A-Port | B-Port |
| L | L | Write D Into B | A data (A \neq B) | D input data* |
| X | H | No write | A data | B data |
| H | X | No write | A data | B data |

H = HIGH

L = LOW

X = Don't care

*Note: Transparency not guaranteed below 0°C.

YA READ

| Inputs | | | YA Output | Function |
|-------------------|------|----|-------------------|---------------------|
| $\overline{OE-A}$ | A-LO | LE | | |
| H | X | X | Z | High impedance |
| L | L | X | L | Force YA LOW |
| L | H | H | A - Port RAM data | Latches transparent |
| L | H | L | NC | Latches retain data |

H = HIGH

Z = High impedance

L = LOW

NC = No change

X = Don't care

YB READ

| Inputs | | YB Output | Function |
|-------------------|----|-------------------|---------------------|
| $\overline{OE-B}$ | LE | | |
| H | X | Z | High impedance |
| L | H | B - Port RAM data | Latches transparent |
| L | L | NC | Latches retain data |

H = HIGH

Z = High impedance

L = LOW

NC = No change

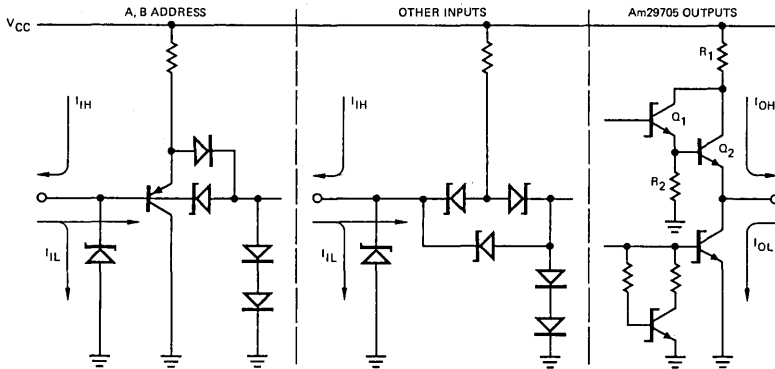
X = Don't care

LOADING RULES (In Unit Loads)

| Input/Output | Pin No.'s | Input Unit Load | Fan-out | |
|-------------------|-----------|-----------------|-------------|------------|
| | | | Output HIGH | Output LOW |
| D ₁ | 1 | 1 | — | — |
| D ₀ | 2 | 1 | — | — |
| \overline{WE}_1 | 3 | 1 | — | — |
| B ₀ | 4 | 0.55 | — | — |
| B ₁ | 5 | 0.55 | — | — |
| B ₂ | 6 | 0.55 | — | — |
| B ₃ | 7 | 0.55 | — | — |
| A-LO | 8 | 1 | — | — |
| LE | 9 | 1 | — | — |
| YB ₀ | 10 | — | 100/200 | 33 |
| YA ₀ | 11 | — | 100/200 | 33 |
| YB ₁ | 12 | — | 100/200 | 33 |
| YA ₁ | 13 | — | 100/200 | 33 |
| GND | 14 | — | — | — |
| YB ₂ | 15 | — | 100/200 | 33 |
| YA ₂ | 16 | — | 100/200 | 33 |
| YB ₃ | 17 | — | 100/200 | 33 |
| YA ₃ | 18 | — | 100/200 | 33 |
| $\overline{OE-B}$ | 19 | 1 | — | — |
| $\overline{OE-A}$ | 20 | 1 | — | — |
| A ₃ | 21 | 0.55 | — | — |
| A ₂ | 22 | 0.55 | — | — |
| A ₁ | 23 | 0.55 | — | — |
| A ₀ | 24 | 0.55 | — | — |
| \overline{WE}_2 | 25 | 1 | — | — |
| D ₃ | 26 | 1 | — | — |
| D ₂ | 27 | 1 | — | — |
| V _{CC} | 28 | — | — | — |

A Low-Power Schottky TTL Unit Load is defined as 20µA measured at 2.7V HIGH and -0.36mA measured at 0.4V LOW.

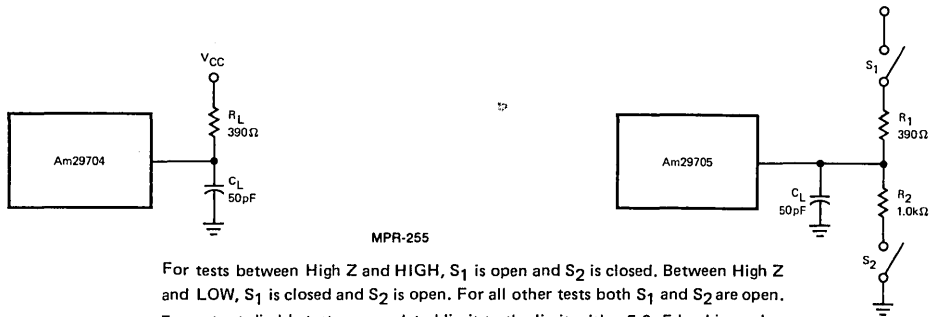
INPUT/OUTPUT CURRENT INTERFACE CONDITIONS



Note: Actual current flow direction shown.
Omit Q₁, Q₂, R₁ and R₂ for Am29704.

MPR-254

LOAD CIRCUITS FOR AC TESTS



MPR-255

For tests between High Z and HIGH, S₁ is open and S₂ is closed. Between High Z and LOW, S₁ is closed and S₂ is open. For all other tests both S₁ and S₂ are open.
For output disable tests, a correlated limit to the limit with a 5.0pF load is used.

MPR-256

DEFINITION OF TERMS

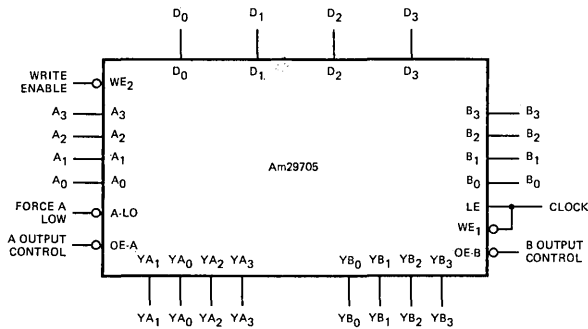
- D₀, D₁, D₂, D₃** Data Inputs. New data is written into the RAM through these inputs.
- A₀, A₁, A₂, A₃** The A-address Inputs. The four-bit field presented at the A inputs selects one of the 16 memory words for presentation to the A-Data Latch.
- B₀, B₁, B₂, B₃** The B-address inputs. The four-bit field presented at the B inputs selects one of the 16 memory words for presentation to the B-Data Latch. The B address field also selects the word into which new data is written.
- YA₀, YA₁, YA₂, YA₃** The four A-Data Latch Outputs.
- YB₀, YB₁, YB₂, YB₃** The four B-Data Latch Outputs.
- WE₁, WE₂** Write Enables. When both Write Enables are LOW, new data is written into the word selected by the B-address field. If either Write Enable input is HIGH, no new data can be written into the memory.
- OE-A** A-port Output Enable. When OE-A is LOW, data in the A-Data Latch is present at the YA_i outputs. If OE-A is HIGH, the YA_i outputs are in the high-impedance (off) state.

OE-B B-port Output Enable. When OE-B is LOW, data in the B-Data Latch is present at the YB_i outputs. When OE-B is HIGH, the YB_i outputs are in the high-impedance (off) state.

LE Latch Enable. The LE input controls the latches for both the RAM A-output port and RAM B-output port. When the LE input is HIGH, the latches are open (transparent) and data from the RAM, as selected by the A and B address fields, is present at the outputs. When LE is LOW, the latches are closed and they retain the last data read from the RAM independent of the current A and B address field inputs.

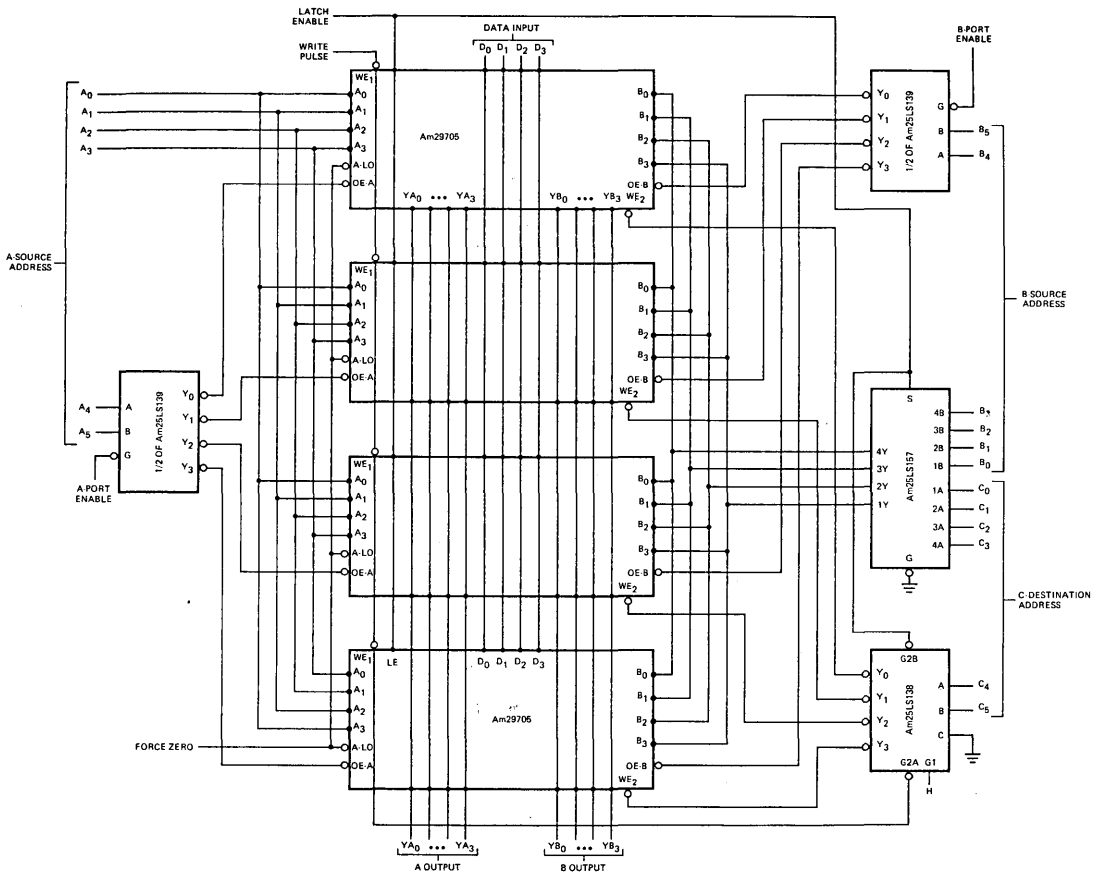
A-LO Force A Zero. This input is used to force the outputs of the A-port latches LOW independent of the Latch Enable input or A-address field select inputs. Thus, the A-output bus can be forced LOW using this control signal. When the A-LO input is HIGH, the A latches operate in their normal fashion. Once the A latches are forced LOW, they remain LOW independent of the A-LO input if the latches are closed.

APPLICATIONS



MPR-257

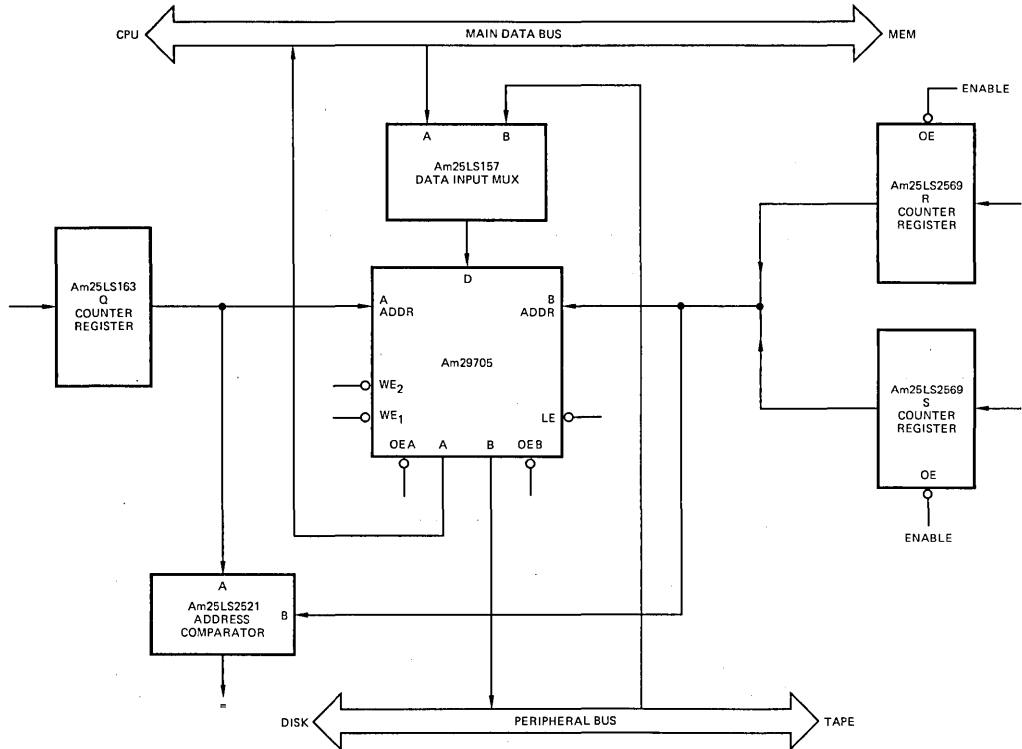
A 16-word by 4-bit two-port RAM with LE and WE₁ connected to make the device appear edge triggered. WE₁ and WE₂ are logically identical but are electrically slightly different. For synchronous operation without possibility of race, WE₁ should be connected to LE.



MPR-258

A 64-word by 4-bit three address memory. Data is read from the A address to the YA outputs and from the B address to the YB outputs while the latch enable is HIGH. When the latch enable goes LOW, the YA and YB data is held in the internal latches, and the RAM B address is switched to the C-destination address lines. A write pulse will then deposit the input data into the location selected by the C address.

APPLICATIONS (Cont'd)



The Am29705 as a two-way interface buffer. Data may be passed between the main data bus and the peripheral data bus under I/O control. The two-port RAM allows data to be written into buffer storage from a peripheral device, using the B address port and the S counter register, while it is being read into main memory, using the A address port and the Q counter register. This simultaneous read/write capability facilitates DMA transfers because the CPU can ignore write requests from the peripheral device. Data transfer from CPU to the peripheral device is handled by sequential write and read operations. Data is written into buffer storage from the CPU, using the B address port and the R counter register. It is read onto the peripheral device using the B address port and either the R register, for single word transfers, or the S register, for block transfers.

MPR-259

ORDERING INFORMATION

Order the part number according to the table below to obtain the desired package, temperature range, and screening level.

| Open Collector Order Number | Three-State Order Number | Package Type (Note 1) | Temperature Range (Note 2) | Screening Level (Note 3) |
|-----------------------------|--------------------------|-----------------------|----------------------------|--|
| AM29704PC | AM29705PC | P-28 | C | C-1 |
| AM29704DC | AM29705DC | D-28 | C | C-1 |
| AM29704DC-B | AM29705DC-B | D-28 | C | B-1 |
| AM29704DM | AM29705DM | D-28 | M | C-3 |
| AM29704DM-B | AM29705DM-B | D-28 | M | B-3 |
| AM29704FM | AM29705FM | F-28 | M | C-3 |
| AM29704FM-B | AM29705FM-B | F-28 | M | B-3 |
| AM29704XC | AM29705XC | Dice | C | Visual inspection to MIL-STD-883 Method 2010B. |
| AM29704XM | AM29705XM | Dice | M | |

- Notes: 1. P = Molded DIP, D = Hermetic DIP, F = Flat Pak. Number following letter is number of leads. See Appendix B for detailed outline. Where Appendix B contains several dash numbers, any of the variations of the package may be used unless otherwise specified.
 2. C = 0°C to +70°C, M = -55°C to +125°C.
 3. See Appendix A for details of screening. Levels C-1 and C-3 conform to MIL-STD-883, Class C. Level B-3 conforms to MIL-STD-883, Class B.

Am29720 • Am29721

Low-Power Schottky 256-Bit Random Access Memories

DISTINCTIVE CHARACTERISTICS

- Fully decoded 256-bit TTL RAMs.
Plug-in replacements for 74200, 1M5503/5523, 93411/21
Pin compatible with MM6530/31, 3106/7, 82S06, 74S201
- Open collector (Am29720) and three-state (Am29721)
- High speed operation:
35ns typical access time
45ns guaranteed (0°C to +75°C)
55ns guaranteed (-55°C to +125°C)
- Very low power dissipation
275mW typical
70mA maximum I_{CC}
- Full military temperature range performance.
10% power supply tolerance
- Internal ECL circuitry
Uniform access times over voltage and temperature variations.
- Tested to GALPAT.
Functional and switching characteristics are guaranteed for all data and address patterns.

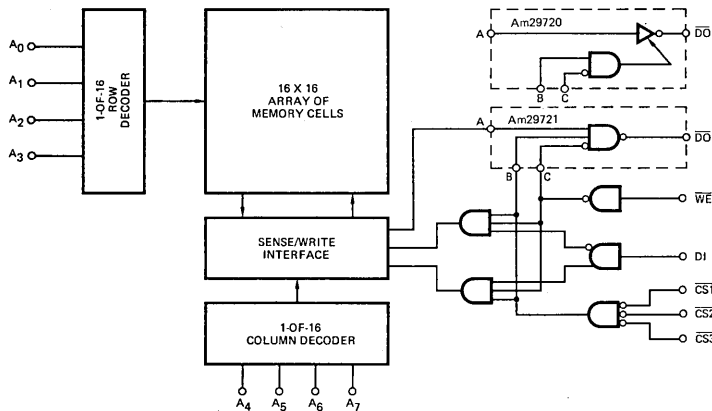
FUNCTIONAL DESCRIPTION

The Am29720 and Am29721 are fully decoded bipolar random access memories for use in high-speed buffer memories and as a replacement for high-speed core memories in digital systems. The memories are organized 256-words by 1-bit with an 8-bit binary address field and separate data in and data output lines. The memories have three active LOW chip select inputs and a three-state output (Am29721) or open-collector output (Am29720). All inputs are buffered to present an input load of only 0.5 TTL unit loads.

Read/write operation is controlled by an active LOW write enable input. When the write enable is LOW and the chip is selected the data on the data input is written into the location specified by the address inputs. During this operation the output floats allowing the data bus to be used by other memories or open-collector logic elements that are tied to the inverting data output. Reading is accomplished by having the chip selected and the write enable input HIGH. Data stored in the location specified by the address inputs is read out and appears on the data output inverted.

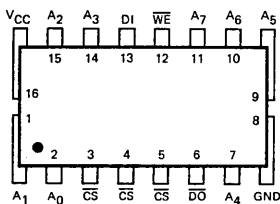
The chip is selected by three active LOW inputs all of which must be LOW in order for the data output to be active during the read operation and for data to be written into or from the memory. These three active LOW chip select inputs permit the Am25LS138 MSI decoders to select memories in either a linear select, two or three dimensional mode of operation when large memory systems are being built. The delay from the chip select to the output is considerably faster than from the address inputs and extra delay can be tolerated in the chip select path without affecting system performance.

LOGIC DIAGRAM



MPR-260

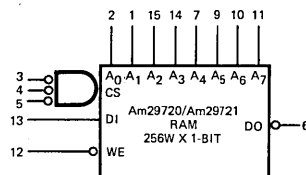
CONNECTION DIAGRAM Top View



Note: Pin 1 is marked for orientation.

MPR-261

LOGIC SYMBOL



V_{CC} = Pin 16

GND = Pin 8

MPR-262

Am29720 • Am29721

MAXIMUM RATINGS (Above which the useful life may be impaired)

| | |
|---|-------------------------------|
| Storage Temperature | -65°C to +150°C |
| Temperature (Ambient) Under Bias | -55°C to +125°C |
| Supply Voltage to Ground Potential (Pin 16 to Pin 8) Continuous | -0.5V to +7.0V |
| DC Voltage Applied to Outputs for High Output State | -0.5V to +V _{CC} max |
| DC Input Voltage | -0.5V to +V _{CC} |
| Output Current, Into Outputs | 30mA |
| DC Input Current | -30mA to +50mA |

OPERATING RANGE

| Part No. | Ambient Operating Temperature | Power Supply Voltage |
|--------------------------------|-------------------------------|----------------------|
| Am29720DC, PC Am29721DC, PC | 0°C to +75°C | 4.75 V to 5.25 V |
| Am29720DM, FM Am29721DM, FM | -55°C to +125°C | 4.50 V to 5.50 V |

ELECTRICAL CHARACTERISTICS OVER OPERATING RANGE (Unless Otherwise Noted)

| Parameters | Description | Test Conditions | Min. | Typ. (Note 1) | Max. | Units |
|-----------------|---------------------------------------|---|------|------------------|-------|-------|
| V _{OH} | Output HIGH Voltage (Am29721 Only) | V _{CC} = MIN., I _{OH} = -2.0 mA (MIL Range) V _{IN} = V _{IH} or V _{IL} , I _{OH} = -2.6 mA (COM'L Range) | 2.4 | 3.1 | | Volts |
| V _{OL} | Output LOW Voltage | V _{CC} = MIN., I _{OL} = 16.0 mA, V _{IN} = V _{IH} or V _{IL} | | 0.3 | 0.45 | Volts |
| V _{IH} | Input HIGH Level | Guaranteed input logical HIGH voltage for all inputs | 2.0 | | | Volts |
| V _{IL} | Input LOW Level | Guaranteed input logical LOW voltage for all inputs | | | 0.8 | Volts |
| I _{IL} | Input LOW Current | V _{CC} = MAX., V _{IN} = 0.4 V | | -0.50 | -0.80 | mA |
| I _{IH} | Input HIGH Current | V _{CC} = MAX., V _{IN} = 2.7 V | | <1 | 20 | μA |
| V _{BK} | Input Breakdown Voltage | V _{CC} = MAX., I _{IN} = 100 μA | 7.0 | | | V |
| I _{LK} | Output Leakage Current | V _{CC} = MAX., \overline{CS} = 2.4 V, V _{OUT} = 2.4 V | | <1 | 30 | μA |
| | | V _{CC} = MAX., \overline{CS} = 2.4 V, V _{OUT} = 0.4 V | | <1 | -30 | |
| I _{SC} | Output Short Circuit Current | V _{CC} = MAX., V _{OUT} = 0.0 V | -20 | -30 | -60 | mA |
| I _{CC} | Power Supply Current | V _{CC} = MAX. | | 55 | 70 | mA |
| V _I | Input Clamp Voltage | V _{CC} = MIN, I _{IN} = -18 mA | | | -1.5 | Volts |

Note 1. Typical Limits are at V_{CC} = 5.0 V, 25°C ambient and maximum loading.

SWITCHING CHARACTERISTICS OVER OPERATING RANGE (Unless Otherwise Noted)

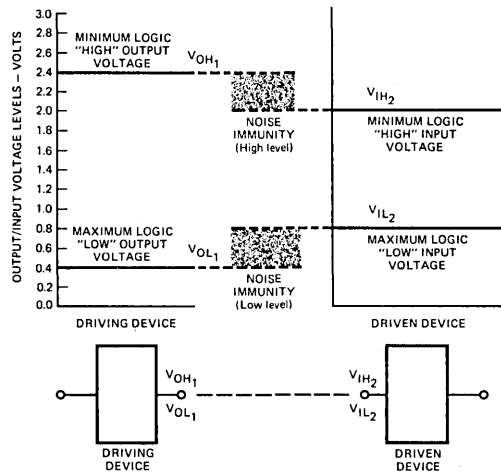
| Parameters | Description | | T _A = 25°C | | T _A = 0°C to 75°C | | T _A = -55°C to 125°C | | Units |
|--------------------------------------|--|------------|-----------------------|------|------------------------------|------|---------------------------------|----|-------|
| | | | Typ. | Min. | Max. | Min. | Max. | | |
| t _{PLH} (A) | Delay from Address to Output | See Fig. 2 | 35 | 15 | 45 | 10 | 55 | ns | |
| t _{PHL} (A) | | | | | | | | | |
| t _{PZH} (\overline{CS}) | Delay from Chip Select to Active Output and Correct Data | See Fig. 2 | 15 | 5 | 25 | 5 | 30 | ns | |
| t _{PZL} (CS) | | | | | | | | | |
| t _{PHZ} (\overline{CS}) | Delay from Chip Select to Inactive Output | See Fig. 2 | 15 | 5 | 25 | 5 | 30 | ns | |
| t _{PLZ} (\overline{CS}) | | | | | | | | | |
| t _{rec} (\overline{WE}) | Delay from Write Enable (HIGH) to Correct Output Data | See Fig. 1 | 25 | | 45 | | 55 | ns | |
| t _{PZH} (\overline{WE}) | Delay from Write Enable (HIGH) to Active Output | See Fig. 1 | | 5 | | 5 | | ns | |
| t _{PZL} (\overline{WE}) | | | | | | | | | |
| t _{PHZ} (\overline{WE}) | Delay from Write Enable (LOW) to Inactive Output | See Fig. 1 | 20 | | 30 | | 40 | ns | |
| t _{PLZ} (\overline{WE}) | | | | | | | | | |
| t _s (A) | Set-up Time Address | See Fig. 1 | 0 | 15 | | 20 | | ns | |
| t _h (A) | Hold Time Address | | 0 | 0 | | 10 | | ns | |
| t _s (DI) | Set-up Time Data Input | See Fig. 1 | 25 | 30 | | 40 | | ns | |
| t _h (DI) | Hold Time Data Input | See Fig. 1 | 0 | 0 | | 10 | | ns | |
| t _{pw} (\overline{WE}) | Write Enable Pulse Width | See Fig. 1 | 30 | 35 | | 50 | | ns | |

Am29720/Am29721 LOADING RULES
(In TTL Unit Loads)

| Input/Output | Pin No.s | Input Unit Load | Fan-out | |
|-----------------|----------|-----------------|-------------|------------|
| | | | Output HIGH | Output LOW |
| A ₁ | 1 | 0.5 | — | — |
| A ₀ | 2 | 0.5 | — | — |
| \overline{CS} | 3 | 0.5 | — | — |
| \overline{CS} | 4 | 0.5 | — | — |
| \overline{CS} | 5 | 0.5 | — | — |
| DO | 6 | — | (Note) 50 | 10 |
| A ₄ | 7 | 0.5 | — | — |
| GND | 8 | — | — | — |
| A ₅ | 9 | 0.5 | — | — |
| A ₆ | 10 | 0.5 | — | — |
| A ₇ | 11 | 0.5 | — | — |
| \overline{WE} | 12 | 0.5 | — | — |
| DI | 13 | 0.5 | — | — |
| A ₃ | 14 | 0.5 | — | — |
| A ₂ | 15 | 0.5 | — | — |
| V _{CC} | 16 | — | — | — |

Note: Am2950 has open collector output.

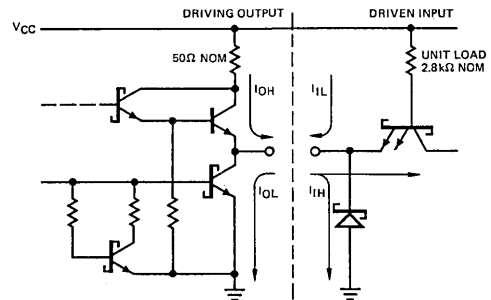
INPUT/OUTPUT INTERFACE CONDITIONS
Voltage Interface Conditions – LOW & HIGH



Note: Refer to Electrical Characteristics for measure currents.

MPR-263

INPUT/OUTPUT CURRENT INTERFACE CONDITIONS



Note: Actual current flow direction shown.

MPR-264

UNIT LOAD DEFINITIONS

| SERIES | HIGH | | LOW | |
|------------------|---------|-----------------|----------|-----------------|
| | Current | Measure Voltage | Current | Measure Voltage |
| Am25/26/2700 | 40 μA | 2.4 V | -1.6 mA | 0.4 V |
| Am25S/26S/27S | 50 μA | 2.7 V | -2.0 mA | 0.5 V |
| Am25L/26L/27L | 20 μA | 2.4 V | -0.4 mA | 0.3 V |
| Am25LS/26LS/27LS | 20 μA | 2.7 V | -0.36 mA | 0.4 V |
| Am54/74 | 40 μA | 2.4 V | -1.6 mA | 0.4 V |
| 54H/74H | 50 μA | 2.4 V | -2.0 mA | 0.4 V |
| Am54S/74S | 50 μA | 2.7 V | -2.0 mA | 0.5 V |
| 54L/74L (Note 1) | 20 μA | 2.4 V | -0.8 mA | 0.4 V |
| 54L/74L (Note 1) | 10 μA | 2.4 V | -0.18 mA | 0.3 V |
| Am54LS/74LS | 20 μA | 2.7 V | -0.36 mA | 0.4 V |
| Am9300 | 40 μA | 2.4 V | -1.6 mA | 0.4 V |
| Am93L00 | 20 μA | 2.4 V | -0.4 mA | 0.3 V |
| Am93S00 | 50 μA | 2.7 V | -2.0 mA | 0.5 V |
| Am75/85 | 40 μA | 2.4 V | -1.6 mA | 0.4 V |
| Am8200 | 40 μA | 4.5 V | -1.6 mA | 0.4 V |

Note: 1. 54L/74L has two different types of standard inputs.

TRUTH TABLE

| Inputs | | | Output | Mode |
|-----------------|-----------------|----|--------------------------|--------------|
| \overline{CS} | \overline{WE} | DI | $\overline{DO}(t_{n+1})$ | |
| H | X | X | OFF | No Selection |
| L | L | L | OFF | Write '0' |
| L | L | H | OFF | Write '1' |
| L | H | X | $\overline{DI}(t_n)$ | Read |

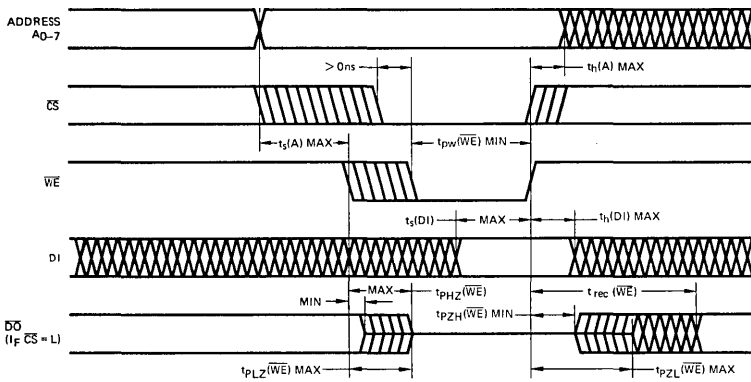
H = HIGH Voltage Level

L = LOW Voltage Level

X = Don't Care

OFF = Floating output level is determined by external circuitry connected to the output.

SWITCHING WAVEFORMS



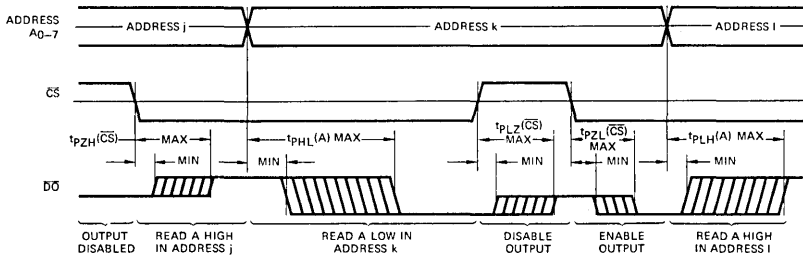
KEY TO TIMING DIAGRAM

| WAVEFORM | INPUTS | OUTPUTS |
|----------|----------------------------------|---|
| | MUST BE STEADY | WILL BE STEADY |
| | MAY CHANGE FROM H TO L | WILL BE CHANGING FROM H TO L |
| | MAY CHANGE FROM L TO H | WILL BE CHANGING FROM L TO H |
| | DON'T CARE; ANY CHANGE PERMITTED | CHANGING; STATE UNKNOWN |
| | DOES NOT APPLY | CENTER LINE IS HIGH IMPEDANCE "OFF" STATE |

Write Cycle Timing. The cycle is initiated by an address change. After $t_s(A)$ max., the write enable may begin. The chip select must also be LOW for writing. Following the write pulse, $t_r(A)$ max. must be allowed before the address may be changed again. The output will be inactive (floating for the Am29721) while the write enable is LOW. Ordinarily, the chip select should be LOW during the entire write pulse.

MPR-265

Figure 1

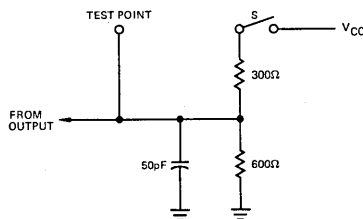


Switching delays from address and chip select inputs to the data output. For the Am29721 disabled output is "OFF," represented by a single center line. For the Am29720, a disabled output is HIGH.

Figure 2

MPR-266

TEST LOAD



Note: All measurements at 1.5V.

S is closed for all tests except for Am29721 tests in which the output switches between an active HIGH level and a HIGH impedance state.

MPR-267

OUTPUT LOADING RULES

The Am29720 has an open collector output. The outputs of several memories may be tied together and the common line connected through a pull-up resistor to V_{CC} . The common line will go LOW if and only if one of the Am29720 outputs connected to it goes LOW, i.e., is enabled and reading a LOW. The HIGH state is established by the pull-up resistor. The value of the resistor is limited by two equations:

$$R(\min) = \frac{V_{CC}(\max) - 0.4}{16 - i(1.6)} \quad i = \text{number of TTL inputs driven}$$

$$R(\max) = \frac{V_{CC}(\min) - 2.4}{0.03n + 0.04i} \quad n = \text{number of outputs connected together}$$

For highest speed, use the minimum R; for lowest power, use the maximum R.

The Am29721 has active circuitry to establish both the HIGH and LOW logic levels and requires no pull-up resistor. Up to 64 Am29721 outputs can be connected together.

DEFINITIONS OF TERMS

SUBSCRIPT TERMS:

H HIGH, applying to a HIGH-signal level or when used with V_{CC} to indicate high V_{CC} value.

I Input.

L LOW, applying to a LOW signal level or when used with V_{CC} to indicate low V_{CC} value.

O Output.

X Unknown or don't care state

Z OFF, applying to the third high impedance state of the output.

FUNCTIONAL TERMS:

Three State A three state output can exist in three possible states: output LOW sinking current, output HIGH sourcing current, and output floating where the output level is determined by external circuitry connected to the output. This three state output allows AND tying of memory outputs for memory expansion and still keeps the inherent high speed of active pull-up circuitry.

Fully Decoded In a fully decoded memory every possible address combination of logic HIGH's and LOW's uniquely selects a memory word. This form of decoding requires no additional special purpose decoders for system operation and is the most efficient in terms of address inputs required and overall system speed.

Fan-Out The logic HIGH or LOW output drive capability in terms of Input Unit Loads.

Input Unit Load One T^2L gate input load.

SWITCHING TERMS: (All switching times are measured at the 1.5 V logic level).

t_{PXH} The delay from a logic level change at an input to a HIGH level on an output.

t_{PXL} The delay from a logic level change at an input to a LOW level on an output.

t_{PXZ} The delay from a logic level change at an input to a high impedance state on a three state output. Measured with a resistor pull-down or pull-up.

$t_{PXX}(A)$ The delay from an address input to the memory output.

$t_{PXX}(\overline{CS})$ The delay from a chip select input to the memory output.

$t_{PXZ}(\overline{WE})$ The delay from a HIGH-to-LOW transition on the write enable to a high impedance level on the memory output.

$t_{PZX}(\overline{WE})$ The delay from a LOW-to-HIGH transition on the write enable to an active level on the memory output.

$t_{pw}(\overline{WE})$ The shortest LOW pulse on the write enable input which is guaranteed to cause the memory to write. Pulses shorter than $t_{pw}(\overline{WE})$ min. may or may not cause a write to occur.

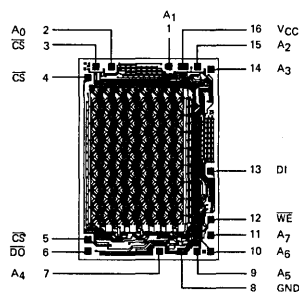
$t_s(A)$ The set-up time of the address inputs relative to the HIGH-to-LOW edge of the write pulse. This is the time required for internal address decoding to settle. To avoid writing in spurious addresses, a stable address should be applied to the address inputs at least $t_s(A)$ max. before the write pulse begins.

$t_h(A)$ The address hold time. This parameter is similar to $t_s(A)$ but is measured relative to the end of the write pulse rather than the beginning. A stable address should be maintained on the address inputs for $t_h(A)$ max. after the write pulse has ended in order to prevent writing in spurious addresses.

$t_s(DI)$ Data set-up time. The time prior to the end of the write pulse during which data must be stable to be correctly written into the memory.

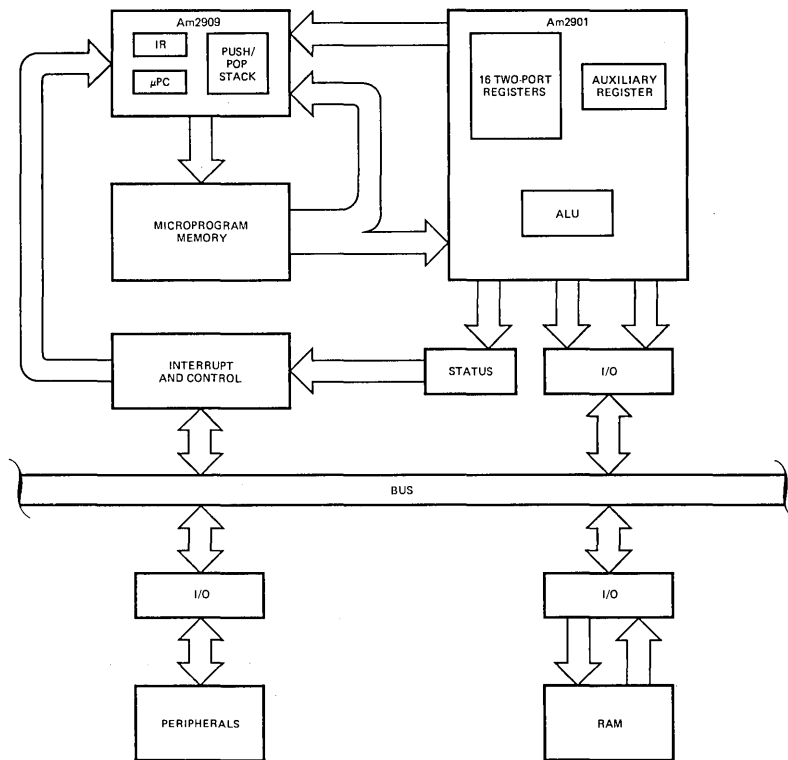
$t_h(DI)$ Data hold time. The time following the end of the write pulse during which data must not be changed.

Metallization and Pad Layout



DIE SIZE 84 X 121 Mils

BIPOLAR MICROCOMPUTER ARCHITECTURE



MPR-268

ORDERING INFORMATION

Order the part number according to the table below to obtain the desired package, temperature range, and screening level.

| Open Collector Order Number | Three-State Order Number | Package Type (Note 1) | Temperature Range (Note 2) | Screening Level (Note 3) |
|-----------------------------|--------------------------|-----------------------|----------------------------|--|
| AM29720PC | AM29721PC | P-16 | C | C-1 |
| AM29720DC | AM29721DC | D-16 | C | C-1 |
| AM29720DC-B | AM29721DC-B | D-16 | C | B-1 |
| AM29720DM | AM29721DM | D-16 | M | C-3 |
| AM29720DM-B | AM29721DM-B | D-16 | M | B-3 |
| AM29720FM | AM29721FM | F-16 | M | C-3 |
| AM29720FM-B | AM29721FM-B | F-16 | M | B-3 |
| AM29720XC | AM29721XC | Dice | C | Visual inspection to MIL-STD-883 Method 2010B. |
| AM29720XM | AM29721XM | Dice | M | |

- Notes: 1. P = Molded DIP, D = Hermetic DIP, F = Flat Pak. Number following letter is number of leads. See Appendix B for detailed outline. Where Appendix B contains several dash numbers, any of the variations of the package may be used unless otherwise specified.
 2. C = 0°C to +70°C, M = -55°C to +125°C.
 3. See Appendix A for details of screening. Levels C-1 and C-3 conform to MIL-STD-883, Class C. Level B-3 conforms to MIL-STD-883, Class B.

Am29750A • Am29751A

256-Bit Generic Series Bipolar PROM

PRELIMINARY DATA

DISTINCTIVE CHARACTERISTICS

- High Speed – 40ns max commercial range access time
- Excellent performance over full MIL and commercial ranges
- Highly reliable, ultra-fast programming Platinum-Silicide fuses
- High programming yield
- Low current PNP inputs
- High current open collector and three-state outputs
- Fast chip select
- Access time tested with N^2 patterns
- Pin for pin replacements for industry standard products
- Common Generic PROM series electrical characteristics and simple programming procedures.

FUNCTIONAL DESCRIPTION

The Am29750A and Am29751A are high speed electrically programmable Schottky read only memories. Organized in the industry standard 32 x 8 configuration, they are available in both open collector Am29750A and three-state Am29751A output versions. After programming, stored information is read on outputs O_0 – O_7 by applying unique binary addresses to A_0 – A_4 and holding the chip select input, CS, at a logic LOW. If the chip select input goes to a logic HIGH, O_0 – O_7 go to the off or high impedance state.

GENERIC SERIES CHARACTERISTICS

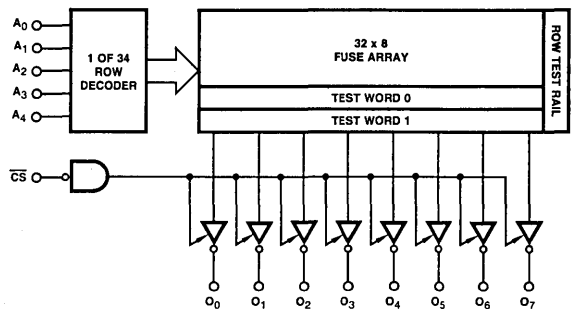
The Am29750A and Am29751A are members of an Advanced PROM series incorporating common electrical characteristics and programming procedures. All parts in this series are produced with a fusible link at each memory location storing a logic LOW and can be selectively programmed to a logic HIGH by applying appropriate voltages to the circuit.

All parts are fabricated with AMD's fast programming highly reliable Platinum-Silicide Fuse technology. Utilizing easily implemented programming (and common programming personality card sets) these products can be rapidly programmed to any customized pattern. Extra test words are pre-programmed during manufacturing to insure extremely high field programming yields, and produce excellent parametric correlation.

Platinum-Silicide was selected as the fuse link material to achieve a well controlled melt rate resulting in large non-conductive gaps that ensure very stable long term reliability. Extensive operating testing has proven that this low-field, large-gap technology offers the best reliability for fusible link PROMs.

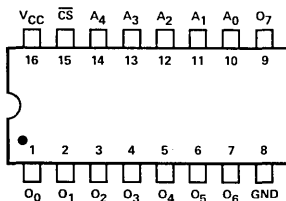
Common design features include active loading of all critical AC paths regulated by a built-in temperature and voltage compensated bias network to provide excellent parametric performance over MIL supply and temperature ranges. Selective feedback techniques have been employed to minimize delays through all critical paths producing the fastest speeds possible from Schottky processed PROMs.

BLOCK DIAGRAM



MPR-270

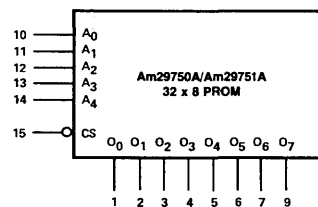
CONNECTION DIAGRAM Top View



Note: Pin 1 is marked for orientation.

MPR-269

LOGIC SYMBOL



V_{CC} = Pin 16
GND = Pin 8

MPR-271

Am29750A • Am29751A

MAXIMUM RATINGS (Above which the useful life may be impaired)

| | |
|--|--------------------------------|
| Storage Temperature | -65°C to +150°C |
| Temperature (Ambient) Under Bias | -55°C to +125°C |
| Supply Voltage to Ground Potential (Pin 16 to Pin 8) Continuous | -0.5V to +7.0V |
| DC Voltage Applied to Outputs (Except During Programming) | -0.5V to +V _{CC} max. |
| DC Voltage Applied to Outputs During Programming | 21V |
| Output Current into Outputs During Programming (Max. Duration of 1 sec.) | 200mA |
| DC Input Voltage | -0.5V to +5.5V |
| DC Input Current | -30mA to +5mA |

OPERATING RANGE

| | | | |
|-------|------------------------|----------------------------------|-----------------------------|
| COM'L | Am29750AXC, Am29751AXC | T _A = 0°C to +75°C | V _{CC} = 5.0V ±5% |
| MIL | Am29750AXM, Am29751AXM | T _A = -55°C to +125°C | V _{CC} = 5.0V ±10% |

ELECTRICAL CHARACTERISTICS OVER OPERATING RANGE (Unless Otherwise Noted) PRELIMINARY DATA

| Parameters | Description | Test Conditions | Min. | Typ. (Note 1) | Max. | Units |
|------------------------------------|------------------------------|--|------|------------------|--------|-------|
| V _{OH} (Am29751A only) | Output HIGH Voltage | V _{CC} = MIN., I _{OH} = -2.0mA V _{IN} = V _{IH} or V _{IL} | 2.4 | | | Volts |
| V _{OL} | Output LOW Voltage | V _{CC} = MIN., I _{OL} = 16mA V _{IN} = V _{IH} or V _{IL} | | | 0.45 | Volts |
| V _{IH} | Input HIGH Level | Guaranteed input logical HIGH voltage for all inputs | 2.0 | | | Volts |
| V _{IL} | Input LOW Level | Guaranteed input logical LOW voltage for all inputs | | | 0.8 | Volts |
| I _{IL} | Input LOW Current | V _{CC} = MAX., V _{IN} = 0.45V | | -0.010 | -0.250 | mA |
| I _{IH} | Input HIGH Current | V _{CC} = MAX., V _{IN} = 2.7V | | | 25 | μA |
| I _I | Input HIGH Current | V _{CC} = MAX., V _{IN} = 5.5V | | | 1.0 | mA |
| I _{SC} (Am29751A only) | Output Short Circuit Current | V _{CC} = MAX., V _{OUT} = 0.0V (Note 2) | -20 | -40 | -90 | mA |
| I _{CC} | Power Supply Current | All inputs = GND V _{CC} = MAX. | | 90 | 115 | mA |
| V _I | Input Clamp Voltage | V _{CC} = MIN., I _{IN} = -18mA | | | -1.2 | Volts |
| I _{CEX} | Output Leakage Current | V _{CC} = MAX. V _{CS} = 2.4V only | | | 40 | μA |
| | | | | | 40 | |
| | | | | | -40 | |
| C _{IN} | Input Capacitance | V _{IN} = 2.0V @ f = 1 MHz (Note 3) | | 4 | | pF |
| C _{OUT} | Output Capacitance | V _{OUT} = 2.0V @ f = 1 MHz (Note 3) | | 8 | | |

Notes: 1. Typical limits are at V_{CC} = 5.0V and T_A = 25°C.

2. Not more than one output should be shorted at a time. Duration of the short circuit should not be more than one second.

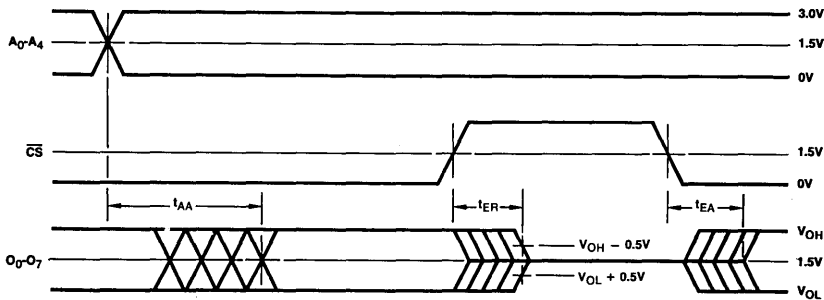
3. These parameters are not 100% tested, but periodically sampled.

SWITCHING CHARACTERISTICS OVER OPERATING RANGE
PRELIMINARY DATA

| Parameter | Description | Test Conditions | Typ. | Max. | | Units | |
|-----------------|----------------------|---------------------------------|------------|------------|-------|-------|-----|
| | | | 5V 25°C | 5V 25°C | COM'L | | MIL |
| t _{AA} | Address Access Time | AC Test Load (See Notes 1-3) | 25 | 35 | 40 | 50 | ns |
| t _{EA} | Enable Access Time | | 15 | 20 | 25 | 30 | ns |
| t _{ER} | Enable Recovery Time | | 15 | 20 | 25 | 30 | ns |

- Notes: 1. t_{AA} is tested with switch S₁ closed and C_L = 30pF.
 2. For open collector outputs, t_{EA} and t_{ER} are tested with S₁ closed to the 1.5V output level. C_L = 30pF.
 3. For three state outputs, t_{EA} is tested with C_L = 30pF to the 1.5V level; S₁ is open for high impedance to HIGH tests and closed for high impedance to LOW tests. t_{ER} is tested with C_L = 5pF. HIGH to high impedance tests are made with S₁ open to an output voltage of V_{OH} - 0.5V; LOW to high impedance tests are made with S₁ closed to the V_{OL} + 0.5V level.

SWITCHING WAVEFORMS



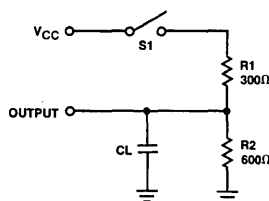
Note: Level on output while CS is HIGH is determined externally.

MPR-272

KEY TO TIMING DIAGRAM

| WAVEFORM | INPUTS | OUTPUTS | WAVEFORM | INPUTS | OUTPUTS |
|----------|------------------------|------------------------------|----------|----------------------------------|---|
| | MUST BE STEADY | WILL BE STEADY | | DON'T CARE; ANY CHANGE PERMITTED | CHANGING; STATE UNKNOWN |
| | MAY CHANGE FROM H TO L | WILL BE CHANGING FROM H TO L | | DOES NOT APPLY | CENTER LINE IS HIGH IMPEDANCE "OFF" STATE |
| | MAY CHANGE FROM L TO H | WILL BE CHANGING FROM L TO H | | | |

AC TEST LOAD



MPR-273

PROGRAMMING

The Am29750A and Am29751A are manufactured with conductive Platinum-Silicide link at each bit location. The output of the memory with the link in place is LOW. To program the device, the fusible links are selectively opened.

The fusible links are opened one at a time by passing current through them from a 20 volt supply which is applied to one memory output after the \overline{CS} input is at a logic HIGH. Current is gated through the address fuse by raising the \overline{CS} input from a logic HIGH to 15 volts. After 50 μ sec, the 20 volt supply is removed, the chip enabled, and the output level sensed to determine if the link has opened. Most links will open within 50 μ sec. Occasionally a link will be stronger and require additional programming cycles. The recommended duration of additional programming periods is 5 msec. If a link has not opened after a total elapsed programming time of 400 msec, further programming of the device should not be attempted. Successive links are programmed in the same manner until all desired bit locations have been programmed to the HIGH level.

Typical current into an output during programming will be approximately 140mA until the fuse link is opened, after which

the current drops to approximately 40mA. Current into the \overline{CS} pin when it is raised to 15 volts is typically 1.5mA.

The memories may become hot during programming due to the large currents being passed. Programming cycles should not be applied to one device more than 5 seconds to avoid heat damage. If this programming time is exceeded, all power to the chip including V_{CC} should be removed for a period of 5 seconds after which programming may be resumed.

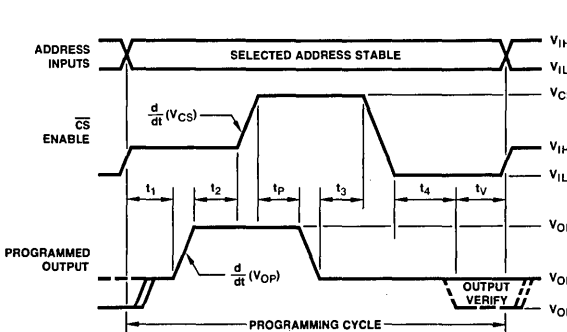
When all programming has been completed, the data content of the memory should be verified by sequentially reading all words. Occasionally this verification will show that an extra undesired link has been fused. Should this occur, immediately check the programming equipment to make sure that all device pins are firmly contacting the programming socket, that the input signal levels exhibit sufficient noise margins, and that the programming voltages are within the specified limits. All of these conditions must be maintained during programming. AMD PROMs are thoroughly tested to minimize unwanted fusing; fusing extra bits is generally related to programming equipment problems.

PROGRAMMING PARAMETERS

| Parameter | Description | Min. | Max. | Units |
|----------------|--|------|-----------------|--------------|
| V_{CCP} | V_{CC} During Programming | 5.0 | 5.5 | Volts |
| V_{IHP} | Input HIGH Level During Programming | 2.4 | 5.5 | Volts |
| V_{ILP} | Input LOW Level During Programming | 0.0 | 0.45 | Volts |
| V_{CSP} | \overline{CS} Voltage During Programming | 14.5 | 15.5 | Volts |
| V_{OP} | Output Voltage During Programming | 19.5 | 20.5 | Volts |
| V_{ONP} | Voltage on Outputs Not to be Programmed | 0 | $V_{CCP} + 0.3$ | Volts |
| I_{ONP} | Current into Outputs Not to be Programmed | | 20 | mA |
| $d(V_{OP})/dt$ | Rate of Output Voltage Change | 20 | 250 | V/ μ sec |
| $d(V_{CS})/dt$ | Rate of \overline{CS} Voltage Change | 100 | 1000 | V/ μ sec |
| t_p | Programming Period – First Attempt | 50 | 100 | μ sec |
| | Programming Period – Subsequent Attempts | 5.0 | 15 | msec |

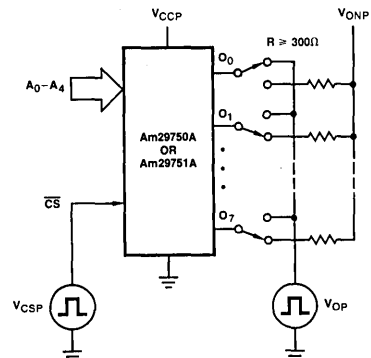
- Notes: 1. All delays between edges are specified from completion of the first edge to beginning of the second edge; i.e., not to the midpoints.
 2. Delays t_1 , t_2 , t_3 and t_4 must be greater than 100 ns; maximum delays of 1 μ sec are recommended to minimize heating during programming.
 3. During t_v , a user defined period, the output being programmed is switched to the load R and read to determine if additional pulses are required.
 4. Outputs not being programmed are connected to V_{ONP} through resistor R which provides output current limiting.

PROGRAMMING WAVEFORMS



MPR-274

SIMPLIFIED PROGRAMMING DIAGRAM



MPR-275

PROGRAMMING EQUIPMENT

Generic programming boards and device adapters are available from the sources listed below. In each case, the programming boards are used in these manufacturer's automatic

programmers to program all AMD generic series bipolar PROMs; individual adapters are required for each basic part type in the series.

| | | |
|---|---|--|
| SOURCE AND LOCATION | Data I/O Corp. P.O. Box 308 Issaquah, Wash. 98027 | Pro-Log Corp. 2411 Garden Road Monterey, Ca. 93940 |
| PROGRAMMER MODEL(S) | Model 5, 7 and 9 | M900 and M920 |
| AMD GENERIC BIPOLAR PROM PERSONALITY BOARD | 909-1286-1 | PM9058 |
| Am29750A • Am29751A ADAPTERS AND CONFIGURATOR | 715-1407-1 | PA16-2 and 32 x 8 (L) |

OBTAINING PROGRAMMED UNITS

Programmed devices may be purchased from your distributor or Advanced Micro Devices. The program data should be submitted in the form of a punched paper tape and must be accompanied by a written truth table. The punched tape can be delivered with your order or may be transmitted over a TWX machine or time-sharing terminal. ASCII BPNF is our preferred paper tape format.

Truth tables are also acceptable, but are much less desirable especially for larger density PROMs. Submission of a truth table requires the generation of a punched paper tape at the distributor or factory resulting in longer lead times, greater possibility of error, and higher cost.

ASCII BPNF

An example of an ASCII tape in the BPNF format is shown below. They can be punched on any Teletype® or on a TWX or Telex machine. The format chosen provides relatively good error detection. Paper tapes must consist of:

1. A leader of at least 25 rubouts.
2. The data patterns for all 32 words, starting with word 0, in the following format:
 - a. Any characters, including carriage return and line feed, except "B".
 - b. The letter "B", indicating the beginning of the data word.
 - c. A sequence of eight Ps or Ns, starting with output O₇.
 - d. The letter "F", indicating the finish of the data word.
 - e. Any text, including carriage return and line feed, except the letter "B".

3. A trailer of at least 25 rubouts.

A P is a HIGH logic level = 2.4 volts.
An N is a LOW logic level = 0.4 volts.

A convenient pattern to use for the data words is to prefix the word (or every few words with the word number, then type the data word, then a comment, then carriage return and line feed as shown below. There must be no characters between the B and the F except for the eight Ps and Ns. If an error is made in a word, the entire word must be cancelled with rubouts back to the letter B, then the word re-typed beginning with the B.

When TWXing your tape, be sure the tape is in even parity. Parity is not necessary if the tape is mailed.

TYPICAL PAPER TAPE FORMAT

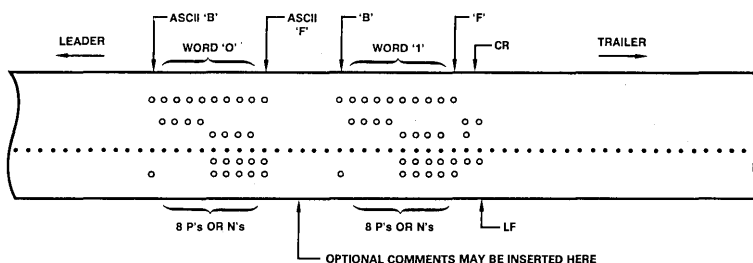
```

000 BPNPPNNNF WORD ZERO (R) (L)
      BPPPPPPNF COMMENT FIELD (R) (L)
002 BNNPPPPNF ANY (R) (L)
      BNNNNNNNF TEXT (R) (L)
004 BPNNNNNNF CAN (R) (L)
      BNPPPPNNF GO (R) (L)
006 BPNPPPPNF HERE (R) (L)
      .....
031 BNNPPPPNF END (R) (L)
(R) = CARRIAGE RETURN
(L) = LINE FEED
    
```

RESULTING DEVICE TRUTH TABLE (\overline{CS} = LOW)

| A ₄ | A ₃ | A ₂ | A ₁ | A ₀ | O ₇ | O ₆ | O ₅ | O ₄ | O ₃ | O ₂ | O ₁ | O ₀ |
|----------------|----------------|----------------|----------------|----------------|----------------|----------------|----------------|----------------|----------------|----------------|----------------|----------------|
| L | L | L | L | L | H | L | H | H | L | L | L | H |
| L | L | L | L | H | H | H | H | H | H | L | L | L |
| L | L | L | H | L | L | L | L | H | H | H | H | L |
| L | L | L | H | H | L | L | L | L | L | L | L | L |
| L | L | H | L | L | H | L | L | L | L | L | L | H |
| L | L | H | L | H | L | H | H | L | H | H | L | L |
| L | L | H | H | L | H | L | L | H | H | H | L | L |
| ... | ... | ... | ... | ... | ... | ... | ... | ... | ... | ... | ... | ... |
| H | H | H | H | H | L | L | L | L | H | H | H | L |

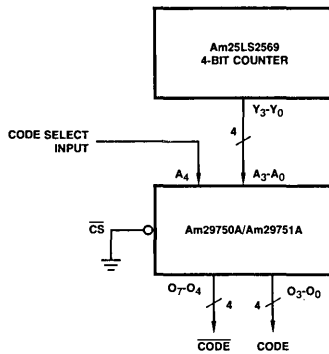
ASCII PAPER TAPE



APPLYING THE Am29750A AND Am29751A

The Am29750A and Am29751A PROMs may be used as code converters. Examples include conversion of hexadecimal, octal or BCD to seven segment display drive format. In many code conversion applications an extra PROM address input is available and may be used as a polarity control,

blanking control or code selector input. The use of a single Am29750A or Am29751A to convert the outputs of a binary counter to either excess three or gray code format is illustrated below. In this case both codes are generated in true and complemented form simultaneously.



TRUTH TABLE

| ADDRESS | | | | | COMPLEMENT | | | | TRUE | | | | |
|----------------|----------------|----------------|----------------|----------------|----------------|----------------|----------------|----------------|----------------|----------------|----------------|----------------|-------------------|
| A ₄ | A ₃ | A ₂ | A ₁ | A ₀ | O ₇ | O ₆ | O ₅ | O ₄ | O ₃ | O ₂ | O ₁ | O ₀ | |
| 0 | 0 | 0 | 0 | 0 | 1 | 1 | 0 | 0 | 0 | 0 | 1 | 1 | EXCESS THREE CODE |
| 0 | 0 | 0 | 0 | 1 | 1 | 0 | 1 | 1 | 0 | 1 | 0 | 0 | |
| 0 | 0 | 0 | 1 | 0 | 1 | 0 | 1 | 0 | 0 | 1 | 0 | 1 | |
| 0 | 0 | 0 | 1 | 1 | 1 | 0 | 0 | 0 | 1 | 0 | 1 | 1 | |
| 0 | 0 | 1 | 0 | 0 | 1 | 0 | 0 | 0 | 0 | 1 | 1 | 1 | |
| 0 | 0 | 1 | 0 | 1 | 0 | 1 | 1 | 1 | 1 | 1 | 0 | 0 | |
| 0 | 0 | 1 | 1 | 0 | 0 | 1 | 1 | 0 | 1 | 0 | 0 | 1 | |
| 0 | 0 | 1 | 1 | 1 | 0 | 1 | 0 | 1 | 1 | 0 | 1 | 0 | |
| 0 | 1 | 0 | 0 | 0 | 0 | 1 | 0 | 0 | 0 | 1 | 0 | 1 | |
| 0 | 1 | 0 | 0 | 1 | 0 | 0 | 1 | 1 | 1 | 1 | 0 | 0 | |
| 0 | 1 | 0 | 1 | 0 | X | X | X | X | X | X | X | X | |
| 0 | 1 | 0 | 1 | 1 | X | X | X | X | X | X | X | X | |
| 0 | 1 | 1 | 0 | 0 | X | X | X | X | X | X | X | X | |
| 0 | 1 | 1 | 0 | 1 | X | X | X | X | X | X | X | X | |
| 0 | 1 | 1 | 1 | 0 | X | X | X | X | X | X | X | X | |
| 0 | 1 | 1 | 1 | 1 | X | X | X | X | X | X | X | X | |
| 1 | 0 | 0 | 0 | 0 | 1 | 1 | 1 | 1 | 0 | 0 | 0 | 0 | |
| 1 | 0 | 0 | 0 | 1 | 1 | 1 | 1 | 0 | 0 | 0 | 0 | 1 | |
| 1 | 0 | 0 | 1 | 0 | 1 | 1 | 0 | 0 | 0 | 0 | 1 | 1 | |
| 1 | 0 | 0 | 1 | 1 | 1 | 1 | 0 | 1 | 0 | 0 | 1 | 0 | |
| 1 | 0 | 1 | 0 | 0 | 1 | 0 | 0 | 1 | 0 | 1 | 1 | 0 | |
| 1 | 0 | 1 | 0 | 1 | 1 | 0 | 0 | 0 | 0 | 1 | 1 | 1 | |
| 1 | 0 | 1 | 1 | 0 | 1 | 0 | 1 | 0 | 0 | 1 | 0 | 1 | |
| 1 | 0 | 1 | 1 | 1 | 1 | 0 | 1 | 1 | 0 | 1 | 0 | 0 | |
| 1 | 1 | 0 | 0 | 0 | 0 | 0 | 1 | 1 | 1 | 0 | 0 | 0 | |
| 1 | 1 | 0 | 0 | 1 | 0 | 0 | 1 | 0 | 1 | 1 | 0 | 1 | |
| 1 | 1 | 0 | 1 | 0 | 0 | 0 | 0 | 0 | 1 | 1 | 1 | 1 | |
| 1 | 1 | 0 | 1 | 1 | 0 | 0 | 0 | 1 | 1 | 1 | 1 | 0 | |
| 1 | 1 | 1 | 0 | 0 | 0 | 1 | 0 | 1 | 0 | 1 | 0 | 1 | |
| 1 | 1 | 1 | 0 | 1 | 0 | 1 | 0 | 0 | 1 | 0 | 1 | 1 | |
| 1 | 1 | 1 | 1 | 0 | 0 | 1 | 1 | 0 | 1 | 0 | 0 | 1 | |
| 1 | 1 | 1 | 1 | 1 | 0 | 1 | 1 | 1 | 1 | 0 | 0 | 0 | |
| | | | | | | | | | | | | | GRAY CODE |

MPR-277

ORDERING INFORMATION

Order the part number according to the table below to obtain the desired package, temperature range, and screening level.

| Open Collector Order Number | Three-State Order Number | Package Type (Note 1) | Temperature Range (Note 2) | Screening Level (Note 3) |
|-----------------------------|--------------------------|-----------------------|----------------------------|--------------------------|
| AM29750ADC | AM29751ADC | D-16 | C | C-1 |
| AM29750ADC-B | AM29751ADC-B | D-16 | C | B-1 |
| AM29750ADM | AM29751ADM | D-16 | M | C-3 |
| AM29750ADM-B | AM29751ADM-B | D-16 | M | B-3 |
| AM29750AFM | AM29751AFM | F-16 | M | C-3 |
| AM29750AFM-B | AM29751AFM-B | F-16 | M | B-3 |

Notes: 1. P = Molded DIP, D = Hermetic DIP, F = Flat Pak. Number following letter is number of leads. See Appendix B for detailed outline. Where Appendix B contains several dash numbers, any of the variations of the package may be used unless otherwise specified.
 2. C = 0°C to +70°C, M = -55°C to +125°C.
 3. See Appendix A for details of screening. Levels C-1 and C-3 conform to MIL-STD-883, Class C. Level B-3 conforms to MIL-STD-883, Class B.

Am29760A • Am29761A

1024 Bit Generic Series Bipolar PROM

PRELIMINARY DATA

DISTINCTIVE CHARACTERISTICS

- High Speed – 45ns max commercial range access time
- Excellent performance over full MIL and commercial ranges
- Highly reliable, ultra-fast programming Platinum-Silicide fuses
- High programming yield
- Low current PNP inputs
- High current open collector and three-state outputs
- Fast chip select
- Access time tested with N^2 patterns
- Pin for pin replacements for industry standard products
- Common Generic PROM series electrical characteristics and simple programming procedures.

GENERIC SERIES CHARACTERISTICS

The Am29760A and Am29761A are members of an Advanced PROM series incorporating common electrical characteristics and programming procedures. All parts in this series are produced with a fusible link at each memory location storing a logic LOW and can be selectively programmed to a logic HIGH by applying appropriate voltages to the circuit.

All parts are fabricated with AMD's fast programming highly reliable Platinum-Silicide Fuse technology. Utilizing easily implemented programming (and common programming personality card sets) these products can be rapidly programmed to any customized pattern. Extra test words are pre-programmed during manufacturing to insure extremely high field programming yields, and produce excellent parametric correlation.

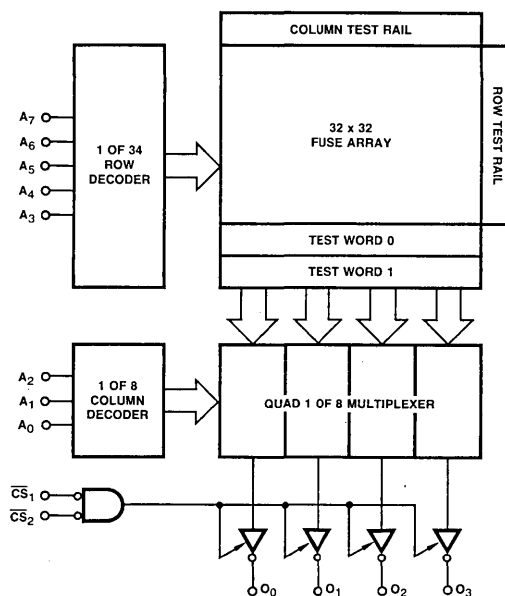
Platinum-Silicide was selected as the fuse link material to achieve a well controlled melt rate resulting in large non-conductive gaps that ensure very stable long term reliability. Extensive operating testing has proven that this low-field, large-gap technology offers the best reliability for fusible link PROMs.

Common design features include active loading of all critical AC paths regulated by a built-in temperature and voltage compensated bias network to provide excellent parametric performance over MIL supply and temperature ranges. Selective feedback techniques have been employed to minimize delays through all critical paths producing the fastest speeds possible from Schottky processed PROMs.

FUNCTIONAL DESCRIPTION

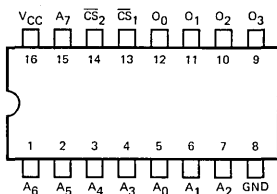
The Am29760A and Am29761A are high speed electrically programmable Schottky read only memories. Organized in the industry standard 256×4 configuration, they are available in both open collector Am29760A and three-state Am29761A output versions. After programming, stored information is read on outputs O_0 – O_3 by applying unique binary addresses to A_0 – A_7 and holding the chip select inputs, \overline{CS}_1 and \overline{CS}_2 , at a logic LOW. If either chip select input goes to a logic HIGH, O_0 – O_3 go to the off or high impedance state.

BLOCK DIAGRAM



MPR-279

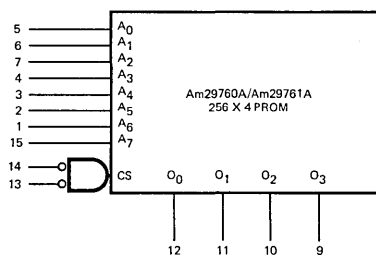
CONNECTION DIAGRAM Top View



Note: Pin 1 is marked for orientation.

MPR-278

LOGIC SYMBOL



V_{CC} = Pin 16
GND = Pin 8

MPR-280

Am29760A • Am29761A

MAXIMUM RATINGS (Above which the useful life may be impaired)

| | |
|--|--------------------------------|
| Storage Temperature | -65°C to +150°C |
| Temperature (Ambient) Under Bias | -55°C to +125°C |
| Supply Voltage to Ground Potential (Pin 16 to Pin 8) Continuous | -0.5V to +7.0V |
| DC Voltage Applied to Outputs (Except During Programming) | -0.5V to +V _{CC} max. |
| DC Voltage Applied to Outputs During Programming | 21V |
| Output Current into Outputs During Programming (Max. Duration of 1 sec.) | 200mA |
| DC Input Voltage | -0.5V to +5.5V |
| DC Input Current | -30mA to +5mA |

OPERATING RANGE

| | | | |
|-------|------------------------|----------------------------------|-----------------------------|
| COM'L | Am29760AXC, Am29761AXC | T _A = 0°C to +75°C | V _{CC} = 5.0V ±5% |
| MIL | Am29760AXM, Am29761AXM | T _A = -55°C to +125°C | V _{CC} = 5.0V ±10% |

ELECTRICAL CHARACTERISTICS OVER OPERATING RANGE (Unless Otherwise Noted) PRELIMINARY DATA

| Parameters | Description | Test Conditions | Min. | Typ. (Note 1) | Max. | Units |
|-----------------------------------|------------------------------|--|------|------------------|--------|-------|
| V _{OH} (Am27S21 only) | Output HIGH Voltage | V _{CC} = MIN., I _{OH} = -2.0mA V _{IN} = V _{IH} or V _{IL} | 2.4 | | | Volts |
| V _{OL} | Output LOW Voltage | V _{CC} = MIN., I _{OL} = 16mA V _{IN} = V _{IH} or V _{IL} | | | 0.45 | Volts |
| V _{IH} | Input HIGH Level | Guaranteed input logical HIGH voltage for all inputs | 2.0 | | | Volts |
| V _{IL} | Input LOW Level | Guaranteed input logical LOW voltage for all inputs | | | 0.8 | Volts |
| I _{IL} | Input LOW Current | V _{CC} = MAX., V _{IN} = 0.45V | | -0.010 | -0.250 | mA |
| I _{IH} | Input HIGH Current | V _{CC} = MAX., V _{IN} = 2.7V | | | 25 | μA |
| I _I | Input HIGH Current | V _{CC} = MAX., V _{IN} = 5.5V | | | 1.0 | mA |
| I _{SC} (Am27S21 only) | Output Short Circuit Current | V _{CC} = MAX., V _{OUT} = 0.0V (Note 2) | -20 | -40 | -90 | mA |
| I _{CC} | Power Supply Current | All inputs = GND V _{CC} = MAX. | | 95 | 130 | mA |
| V _I | Input Clamp Voltage | V _{CC} = MIN., I _{IN} = -18mA | | | -1.2 | Volts |
| I _{CEX} | Output Leakage Current | V _{CC} = MAX., V _{CS1} = 2.4V | | | | μA |
| | | Am29761A only | | | 40 | |
| | | | | | 40 | |
| C _{IN} | Input Capacitance | V _{IN} = 2.0V @ f = 1 MHz (Note 3) | | 4 | | pF |
| C _{OUT} | Output Capacitance | V _{OUT} = 2.0V @ f = 1 MHz (Note 3) | | 8 | | |

Note 1. Typical limits are at V_{CC} = 5.0V and T_A = 25°C

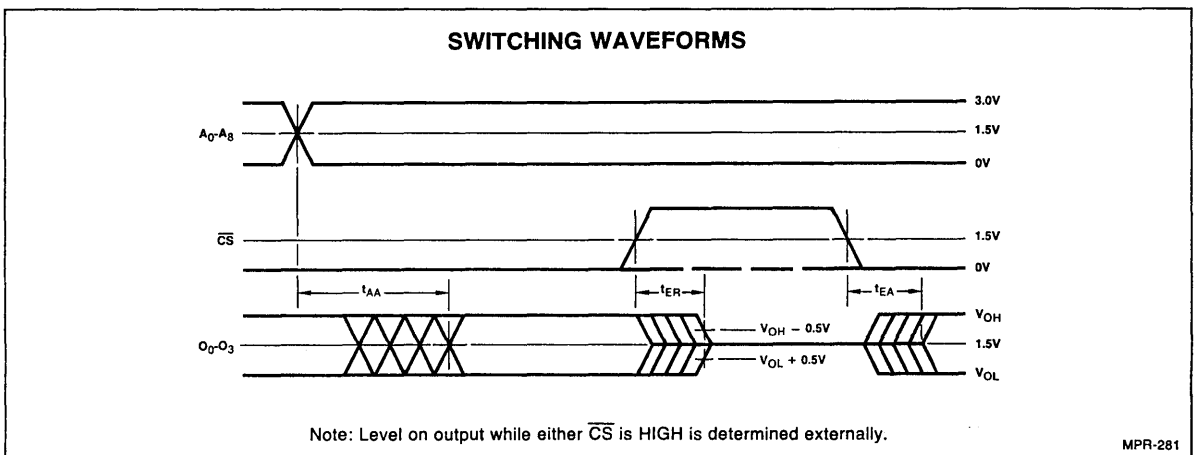
2. Not more than one output should be shorted at a time. Duration of the short circuit should not be more than one second.

3. These parameters are not 100% tested, but are periodically sampled.

**SWITCHING CHARACTERISTICS OVER OPERATING RANGE
PRELIMINARY DATA**

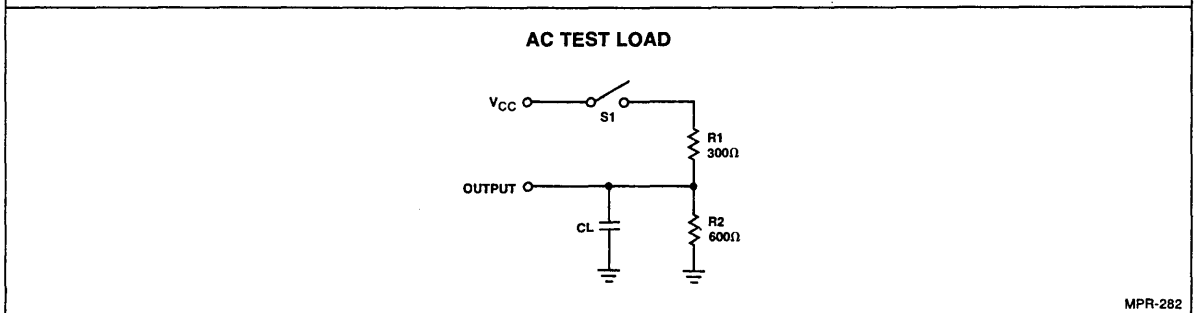
| Parameter | Description | Test Conditions | Typ. | Max. | | Units | |
|-----------------|----------------------|---------------------------------|------------|------------|-------|-------|-----|
| | | | 5V 25°C | 5V 25°C | COM'L | | MIL |
| t _{AA} | Address Access Time | AC Test Load (See Notes 1-3) | 25 | 35 | 45 | 60 | ns |
| t _{EA} | Enable Access Time | | 15 | 18 | 20 | 30 | ns |
| t _{ER} | Enable Recovery Time | | 15 | 18 | 20 | 30 | ns |

- Notes: 1. t_{AA} is tested with switch S₁ closed and C_L = 30pF.
 2. For open collector outputs, t_{EA} and t_{ER} are tested with S₁ closed to the 1.5V output level. C_L = 30pF.
 3. For three state outputs, t_{EA} is tested with C_L = 30pF to the 1.5V level; S₁ is open for high impedance to HIGH tests and closed for high impedance to LOW tests. t_{ER} is tested with C_L = 5pF. HIGH to high impedance tests are made with S₁ open to an output voltage of V_{OH} - 0.5V; LOW to high impedance tests are made with S₁ closed to the V_{OL} + 0.5V level.



KEY TO TIMING DIAGRAM

| WAVEFORM | INPUTS | OUTPUTS | WAVEFORM | INPUTS | OUTPUTS |
|----------|------------------------|------------------------------|----------|----------------------------------|---|
| | MUST BE STEADY | WILL BE STEADY | | DON'T CARE; ANY CHANGE PERMITTED | CHANGING; STATE UNKNOWN |
| | MAY CHANGE FROM H TO L | WILL BE CHANGING FROM H TO L | | DOES NOT APPLY | CENTER LINE IS HIGH IMPEDANCE "OFF" STATE |
| | MAY CHANGE FROM L TO H | WILL BE CHANGING FROM L TO H | | | |



PROGRAMMING

The Am29760A and Am29761A are manufactured with conductive Platinum-Silicide link at each bit location. The output of the memory with the link in place is LOW. To program the device, the fusible links are selectively opened.

The fusible links are opened one at a time by passing current through them from a 20 volt supply which is applied to one memory output after the \overline{CS}_1 input is at a logic HIGH. Current is gated through the addressed fuse by raising the \overline{CS}_1 input from a logic HIGH to 15 volts. After 50 μsec , the 20 volt supply is removed, the chip enabled, and the output level sensed to determine if the link has opened. Most links will open within 50 μsec . Occasionally a link will be stronger and require additional programming cycles. The recommended duration of additional programming periods is 5 msec. If a link has not opened after a total elapsed programming time of 400 msec, further programming of the device should not be attempted. Successive links are programmed in the same manner until all desired bit locations have been programmed to the HIGH level.

Typical current into an output during programming will be approx-

imately 140mA until the fuse link is opened, after which the current drops to approximately 40mA. Current into the \overline{CS}_1 pin when it is raised to 15 volts is typically 1.5mA.

The memories may become hot during programming due to the large currents being passed. Programming cycles should not be applied to one device more than 5 seconds to avoid heat damage. If this programming time is exceeded, all power to the chip including V_{CC} should be removed for a period of 5 seconds after which programming may be resumed.

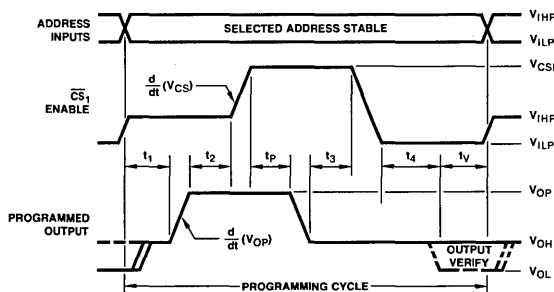
When all programming has been completed, the data content of the memory should be verified by sequentially reading all words. Occasionally this verification will show that an extra undesired link has been fused. Should this occur, immediately check the programming equipment to make sure that all device pins are firmly contacting the programming socket, that the input signal levels exhibit sufficient noise margins, and that the programming voltages are within the specified limits. All of these conditions must be maintained during programming. AMD PROMs are thoroughly tested to minimize unwanted fusing; fusing extra bits is generally related to programming equipment problems.

PROGRAMMING PARAMETERS

| Parameter | Description | Min. | Max. | Units |
|----------------|--|------|-----------------|-------------------|
| V_{CCP} | V_{CC} During Programming | 5.0 | 5.5 | Volts |
| V_{IHP} | Input HIGH Level During Programming | 2.4 | 5.5 | Volts |
| V_{ILP} | Input LOW Level During Programming | 0.0 | 0.45 | Volts |
| V_{CSP} | \overline{CS}_1 Voltage During Programming | 14.5 | 15.5 | Volts |
| V_{OP} | Output Voltage During Programming | 19.5 | 20.5 | Volts |
| V_{ONP} | Voltage on Outputs Not to be Programmed | 0 | $V_{CCP} + 0.3$ | Volts |
| I_{ONP} | Current into Outputs Not to be Programmed | | 20 | mA |
| $d(V_{OP})/dt$ | Rate of Output Voltage Change | 20 | 250 | $V/\mu\text{sec}$ |
| $d(V_{CS})/dt$ | Rate of \overline{CS}_1 , Voltage Change | 100 | 1000 | $V/\mu\text{sec}$ |
| t_p | Programming Period – First Attempt | 50 | 100 | μsec |
| | Programming Period – Subsequent Attempts | 5.0 | 15 | msec |

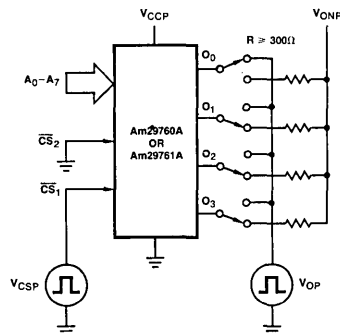
- Notes: 1. All delays between edges are specified from completion of the first edge to beginning of the second edge; i.e., not to the midpoints.
 2. Delays t_1 , t_2 , t_3 and t_4 must be greater than 100 ns; maximum delays of 1 μsec are recommended to minimize heating during programming.
 3. During t_v , a user defined period, the output being programmed is switched to the load R and read to determine if additional pulses are required.
 4. Outputs not being programmed are connected to V_{ONP} through resistor R which provides output current limiting.

PROGRAMMING WAVEFORMS



MPR-283

SIMPLIFIED PROGRAMMING DIAGRAM



MPR-284

PROGRAMMING EQUIPMENT

Generic programming boards and device adapters are available from the sources listed below. In each case, the programming boards are used in these manufacturer's automatic programmers

to program all AMD generic series bipolar PROMs; individual adapters are required for each basic part type in the series.

| | | |
|---|---|--|
| SOURCE AND LOCATION | Data I/O Corp. P.O. Box 308 Issaquah, Wash. 98027 | Pro-Log Corp. 2411 Garden Road Monterey, Ca. 93940 |
| PROGRAMMER MODEL(S) | Model 5, 7 and 9 | M900 and M920 |
| AMD GENERIC BIPOLAR PROM PERSONALITY BOARD | 909-1286-1 | PM9058 |
| Am29760A • Am29761A ADAPTERS AND CONFIGURATOR | 715-1408-1 | PA16-1 and 256 x 4 (L) |

OBTAINING PROGRAMMED UNITS

Programmed devices may be purchased from your distributor or Advanced Micro Devices. The program data should be submitted in the form of a punched paper tape and must be accompanied by a written truth table. The punched tape can be delivered with your order or may be transmitted over a TWX machine or time-sharing terminal. ASCII BPNF is our preferred paper tape format.

Truth tables are also acceptable, but are much less desirable especially for larger density PROMs. Submission of a truth table requires the generation of a punched paper tape at the distributor or factory resulting in longer lead times, greater possibility of error, and higher cost.

ASCII BPNF

An example of an ASCII tape in the BPNF format is shown below. They can be punched on any Teletype® or on a TWX or Telex machine. The format chosen provides relatively good error detection. Paper tapes must consist of:

- 3. A trailer of at least 25 rubouts.
- A P is a HIGH logic level = 2.4 volts.
- An N is a LOW logic level = 0.4 volts.

- 1. A leader of at least 25 rubouts.
- 2. The data patterns for all 256 words, starting with word 0, in the following format:
 - a. Any characters, including carriage return and line feed, except "B".
 - b. The letter "B", indicating the beginning of the data word.
 - c. A sequence of four Ps or Ns, starting with output O₃.
 - d. The letter "F", indicating the finish of the data word.
 - e. Any text, including carriage return and line feed, except the letter "B".

A convenient pattern to use for the data words is to prefix the word (or every few words with the word number, then type the data word, then a comment, then carriage return and line feed as shown below. There must be no characters between the B and the F except for the four Ps and Ns. If an error is made in a word, the entire word must be cancelled with rubouts back to the letter B, then the word re-typed beginning with the B.

When TWXing your tape, be sure the tape is in even parity. Parity is not necessary if the tape is mailed.

TYPICAL PAPER TAPE FORMAT

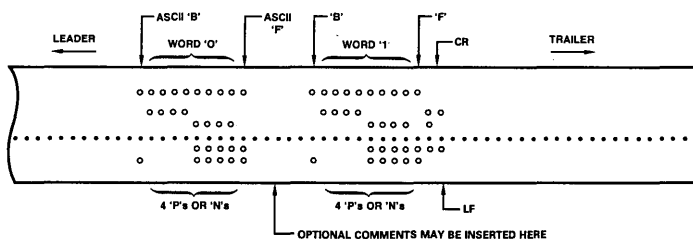
```

∅∅∅ BNNNEF WORD ZERO (R) (L)
      BPPNPF COMMENT FIELD (R) (L)
∅∅2 BPPNPF ANY (R) (L)
      BNNNEF TEXT (R) (L)
∅∅4 BNNNEF CAN (R) (L)
      BPPNPF GO (R) (L)
∅∅6 BPPNPF HERE (R) (L)
      .....
      .
255 BPPNPF END (R) (L)
    
```

RESULTING DEVICE TRUTH TABLE (\overline{CS}_1 & \overline{CS}_2 = LOW)

| A ₇ | A ₆ | A ₅ | A ₄ | A ₃ | A ₂ | A ₁ | A ₀ | O ₃ | O ₂ | O ₁ | O ₀ |
|----------------|----------------|----------------|----------------|----------------|----------------|----------------|----------------|----------------|----------------|----------------|----------------|
| L | L | L | L | L | L | L | L | L | L | L | H |
| L | L | L | L | L | L | L | H | H | H | L | L |
| L | L | L | L | L | L | H | L | H | H | H | L |
| L | L | L | L | L | L | H | H | L | L | L | L |
| L | L | L | L | L | H | L | L | L | L | L | H |
| L | L | L | L | H | L | H | L | H | H | L | L |
| L | L | L | L | H | H | L | H | H | H | L | L |
| H | H | H | H | H | H | H | H | H | H | H | L |

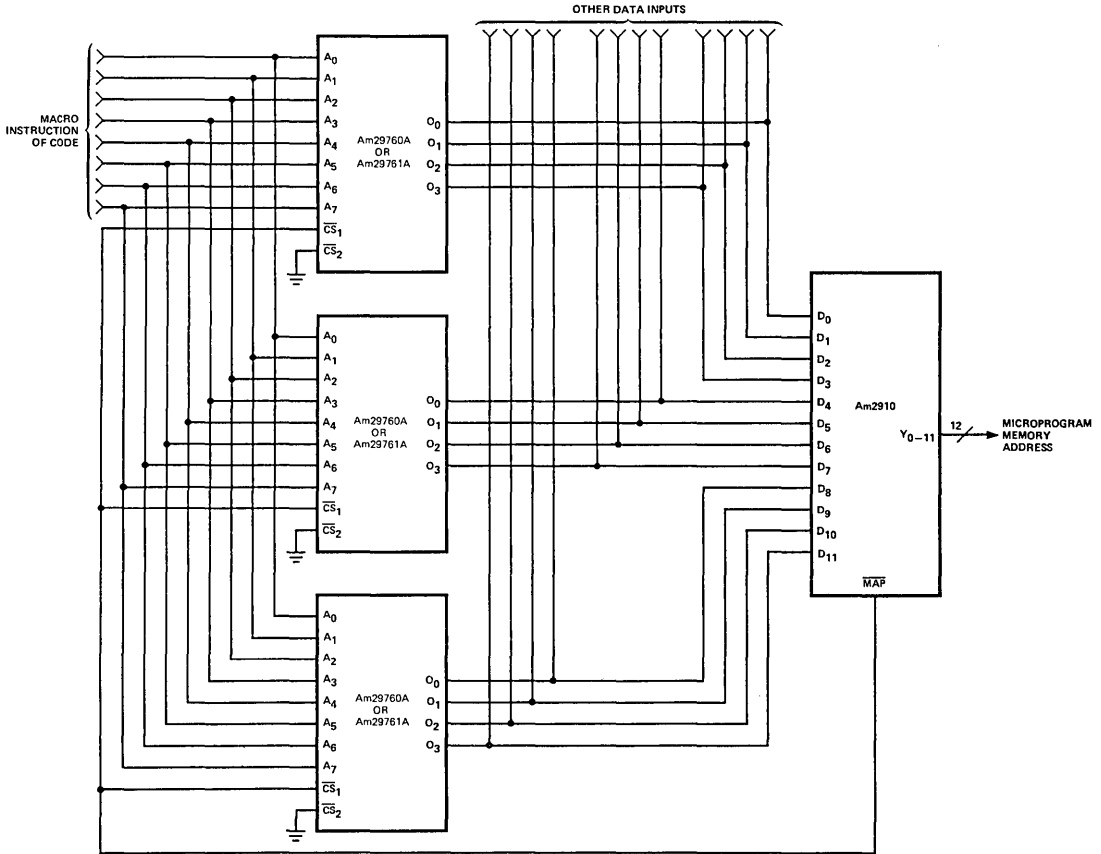
ASCII PAPER TAPE



APPLYING THE Am29760A/61A

Typical application of the Am29760A/61A is shown below. The Am29760A/61A's are employed as mapping ROMs in a micro-program computer control unit. The eight-bit macroinstruction from main memory is brought into the A₀₋₇ inputs of the mapping ROM array. The instruction is mapped into a 12-bit address space with each PROM output supplying 4 bits. The 12 bits of address are then supplied to the "D" inputs of the Am2910 as a possible next address source for microprogram memory. The

$\overline{\text{MAP}}$ output of the Am2910 is connected to the $\overline{\text{CS}}_1$ input of the Am29760A/61A such that when the $\overline{\text{CS}}_1$ input is HIGH, the outputs of the PROMs are either HIGH in the case of the Am29760A or in the three-state mode in the case of the Am29761A. In both cases the $\overline{\text{CS}}_2$ input is grounded, thus data from other sources are free to drive the D inputs of the Am2910 when MAP is HIGH.



MICROPROGRAMMING INSTRUCTION MAPPING

MPR-286

ORDERING INFORMATION

Order the part number according to the table below to obtain the desired package, temperature range, and screening level.

| Open Collector Order Number | Three-State Order Number | Package Type (Note 1) | Temperature Range (Note 2) | Screening Level (Note 3) |
|-----------------------------|--------------------------|-----------------------|----------------------------|--------------------------|
| AM29760ADC | AM29761ADC | D-16 | C | C-1 |
| AM29760ADC-B | AM29761ADC-B | D-16 | C | B-1 |
| AM29760ADM | AM29761ADM | D-16 | M | C-3 |
| AM29760ADM-B | AM29761ADM-B | D-16 | M | B-3 |
| AM29760AFM | AM29761AFM | F-16 | M | C-3 |
| AM29760AFM-B | AM29761AFM-B | F-16 | M | B-3 |

Notes: 1. P = Molded DIP, D = Hermetic DIP, F = Flat Pak. Number following letter is number of leads. See Appendix B for detailed outline. Where Appendix B contains several dash numbers, any of the variations of the package may be used unless otherwise specified.
 2. C = 0°C to +70°C, M = -55°C to +125°C.
 3. See Appendix A for details of screening. Levels C-1 and C-3 conform to MIL-STD-883, Class C. Level B-3 conforms to MIL-STD-883, Class B.

Am29770 • Am29771

2048-Bit Generic Series Bipolar PROM

PRELIMINARY DATA

DISTINCTIVE CHARACTERISTICS

- High Speed – 50ns max commercial range access time
- Excellent performance over full MIL and commercial ranges
- Highly reliable, ultra-fast programming Platinum-Silicide fuses
- High programming yield
- Low current PNP inputs
- High current open collector and three-state outputs
- Fast chip select
- Access time tested with N^2 patterns
- Pin for pin replacements for industry standard products
- Common Generic PROM series electrical characteristics and simple programming procedures.

GENERIC SERIES CHARACTERISTICS

The Am29770 and Am29771 are members of an Advanced PROM series incorporating common electrical characteristics and programming procedures. All parts in this series are produced with a fusible link at each memory location storing a logic LOW and can be selectively programmed to a logic HIGH by applying appropriate voltages to the circuit.

All parts are fabricated with AMD's fast programming highly reliable Platinum-Silicide Fuse technology. Utilizing easily implemented programming (and common programming personality card sets) these products can be rapidly programmed to any customized pattern. Extra test words are pre-programmed during manufacturing to insure extremely high field programming yields, and produce excellent parametric correlation.

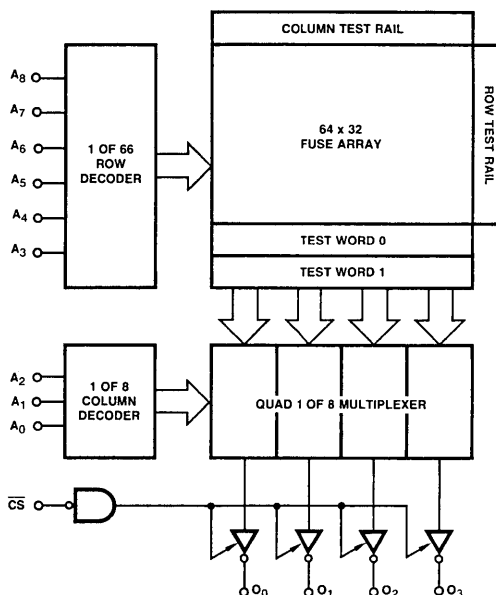
Platinum-Silicide was selected as the fuse link material to achieve a well controlled melt rate resulting in large non-conductive gaps that ensure very stable long term reliability. Extensive operating testing has proven that this low-field, large-gap technology offers the best reliability for fusible link PROMs.

Common design features include active loading of all critical AC paths regulated by a built-in temperature and voltage compensated bias network to provide excellent parametric performance over MIL supply and temperature ranges. Selective feedback techniques have been employed to minimize delays through all critical paths producing the fastest speeds possible from Schottky processed PROMs.

FUNCTIONAL DESCRIPTION

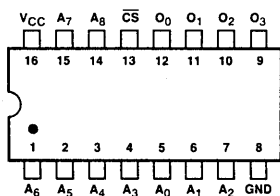
The Am29770 and Am29771 are high speed electrically programmable Schottky read only memories. Organized in the industry standard 512 x 4 configuration, they are available in both open collector Am29770 and three-state Am29771 output versions. After programming, stored information is read on outputs O_0-O_3 by applying unique binary addresses to A_0-A_8 and holding the chip select input, \overline{CS} , at a logic LOW. If the chip select input goes to a logic HIGH, O_0-O_3 go to the off or high impedance state.

BLOCK DIAGRAM



MPR-288

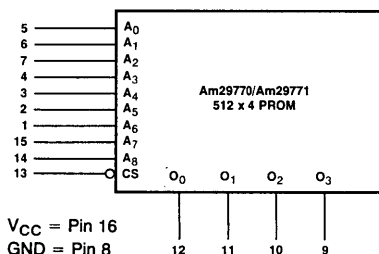
CONNECTION DIAGRAM Top View



Note: Pin 1 is marked for orientation.

MPR-287

LOGIC SYMBOL



V_{CC} = Pin 16
GND = Pin 8

MPR-289

Am29770 • Am29771

MAXIMUM RATINGS (Above which the useful life may be impaired)

| | |
|--|--------------------------------|
| Storage Temperature | -65°C to +150°C |
| Temperature (Ambient) Under Bias | -55°C to +125°C |
| Supply Voltage to Ground Potential (Pin 16 to Pin 8) Continuous | -0.5V to +7.0V |
| DC Voltage Applied to Outputs (Except During Programming) | -0.5V to +V _{CC} max. |
| DC Voltage Applied to Outputs During Programming | 21V |
| Output Current into Outputs During Programming (Max. Duration of 1 sec.) | 200mA |
| DC Input Voltage | -0.5V to +5.5V |
| DC Input Current | -30mA to +5mA |

OPERATING RANGE

| | | | |
|-------|----------------------|----------------------------------|-----------------------------|
| COM'L | Am29770XC, Am29771XC | T _A = 0°C to +75°C | V _{CC} = 5.0V ±5% |
| MIL | Am29770XM, Am29771XM | T _A = -55°C to +125°C | V _{CC} = 5.0V ±10% |

ELECTRICAL CHARACTERISTICS OVER OPERATING RANGE (Unless Otherwise Noted) PRELIMINARY DATA

| Parameters | Description | Test Conditions | Min. | Typ. (Note 1) | Max. | Units |
|-----------------------------------|------------------------------|--|------|------------------|--------|-------|
| V _{OH} (Am29771 only) | Output HIGH Voltage | V _{CC} = MIN., I _{OH} = -2.0mA V _{IN} = V _{IH} or V _{IL} | 2.4 | | | Volts |
| V _{OL} | Output LOW Voltage | V _{CC} = MIN., I _{OL} = 16mA V _{IN} = V _{IH} or V _{IL} | | | 0.45 | Volts |
| V _{IH} | Input HIGH Level | Guaranteed input logical HIGH voltage for all inputs | 2.0 | | | Volts |
| V _{IL} | Input LOW Level | Guaranteed input logical LOW voltage for all inputs | | | 0.8 | Volts |
| I _{IL} | Input LOW Current | V _{CC} = MAX., V _{IN} = 0.45V | | -0.010 | -0.250 | mA |
| I _{IH} | Input HIGH Current | V _{CC} = MAX., V _{IN} = 2.7V | | | 25 | μA |
| I _I | Input HIGH Current | V _{CC} = MAX., V _{IN} = 5.5V | | | 1.0 | mA |
| I _{SC} (Am29771 only) | Output Short Circuit Current | V _{CC} = MAX., V _{OUT} = 0.0V (Note 2) | -20 | -40 | -90 | mA |
| I _{CC} | Power Supply Current | All inputs = GND V _{CC} = MAX. | | 100 | 130 | mA |
| V _I | Input Clamp Voltage | V _{CC} = MIN., I _{IN} = -18mA | | | -1.2 | Volts |
| I _{CEX} | Output Leakage Current | V _{CC} = MAX. V _{CS} = 2.4V Am29771 only | | | 40 | μA |
| | | | | | 40 | |
| | | | | | -40 | |
| C _{IN} | Input Capacitance | V _{IN} = 2.0V @ f = 1 MHz (Note 3) | | 4 | | pF |
| C _{OUT} | Output Capacitance | V _{OUT} = 2.0V @ f = 1 MHz (Note 3) | | 8 | | |

Notes: 1. Typical limits are at V_{CC} = 5.0V and T_A = 25°C.

2. Not more than one output should be shorted at a time. Duration of the short circuit should not be more than one second.

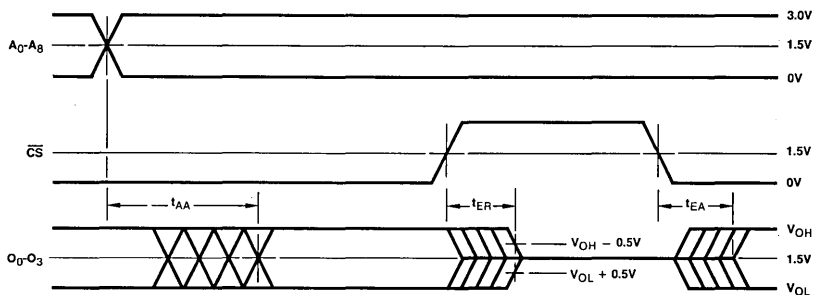
3. These parameters are not 100% tested, but are periodically sampled.

**SWITCHING CHARACTERISTICS OVER OPERATING RANGE
PRELIMINARY DATA**

| Parameter | Description | Test Conditions | Typ. | Max. | | Units | |
|-----------|----------------------|---------------------------------|-------------|-------|-------|-------|-----|
| | | | 5V 25° C | 25° C | COM'L | | MIL |
| t_{AA} | Address Access Time | AC Test Load (See Notes 1-3) | 30 | 45 | 50 | 60 | ns |
| t_{EA} | Enable Access Time | | 15 | 20 | 25 | 30 | ns |
| t_{ER} | Enable Recovery Time | | 15 | 20 | 25 | 30 | ns |

- Notes: 1. t_{AA} is tested with switch S_1 closed and $C_L = 30pF$.
 2. For open collector outputs, t_{EA} and t_{ER} are tested with S_1 closed to the 1.5V output level. $C_L = 30pF$.
 3. For three state outputs, t_{EA} is tested with $C_L = 30pF$ to the 1.5V level; S_1 is open for high impedance to HIGH tests and closed for high impedance to LOW tests. t_{ER} is tested with $C_L = 5pF$. HIGH to high impedance tests are made with S_1 open to an output voltage of $V_{OH} - 0.5V$; LOW to high impedance tests are made with S_1 closed to the $V_{OL} + 0.5V$ level.

SWITCHING WAVEFORMS



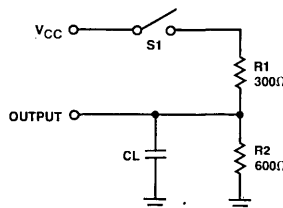
Note: Level on output while \overline{CS} is HIGH is determined externally.

MPR-290

KEY TO TIMING DIAGRAM

| WAVEFORM | INPUTS | OUTPUTS | WAVEFORM | INPUTS | OUTPUTS |
|----------|------------------------|------------------------------|----------|----------------------------------|---|
| | MUST BE STEADY | WILL BE STEADY | | DON'T CARE; ANY CHANGE PERMITTED | CHANGING; STATE UNKNOWN |
| | MAY CHANGE FROM H TO L | WILL BE CHANGING FROM H TO L | | DOES NOT APPLY | CENTER LINE IS HIGH IMPEDANCE "OFF" STATE |
| | MAY CHANGE FROM L TO H | WILL BE CHANGING FROM L TO H | | | |

AC TEST LOAD



MPR-291

PROGRAMMING

The Am29770 and Am29771 are manufactured with conductive Platinum-Silicide link at each bit location. The output of the memory with the link in place is LOW. To program the device, the fusible links are selectively opened.

The fusible links are opened one at a time by passing current through them from a 20 volt supply which is applied to one memory output after the CS input is at a logic HIGH. Current is gated through the addressed fuse by raising the CS input from a logic HIGH to 15 volts. After 50 μ sec, the 20 volt supply is removed, the chip enabled, and the output level sensed to determine if the link has opened. Most links will open within 50 μ sec. Occasionally a link will be stronger and require additional programming cycles. The recommended duration of additional programming periods is 5 msec. If a link has not opened after a total elapsed programming time of 400 msec, further programming of the device should not be attempted. Successive links are programmed in the same manner until all desired bit locations have been programmed to the HIGH level.

Typical current into an output during programming will be approximately 140mA until the fuse link is opened, after which

the current drops to approximately 40mA. Current into the CS pin when it is raised to 15 volts is typically 1.5mA.

The memories may become hot during programming due to the large currents being passed. Programming cycles should not be applied to one device more than 5 seconds to avoid heat damage. If this programming time is exceeded, all power to the chip including V_{CC} should be removed for a period of 5 seconds after which programming may be resumed.

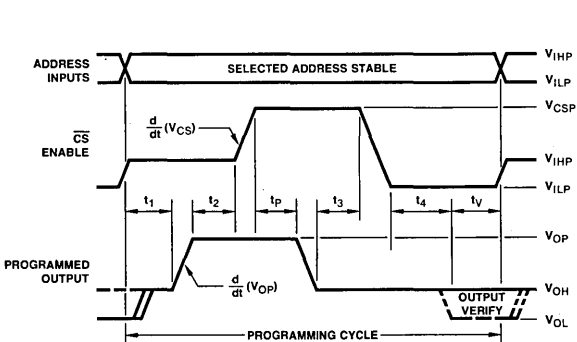
When all programming has been completed, the data content of the memory should be verified by sequentially reading all words. Occasionally this verification will show that an extra undesired link has been fused. Should this occur, immediately check the programming equipment to make sure that all device pins are firmly contacting the programming socket, that the input signal levels exhibit sufficient noise margins, and that the programming voltages are within the specified limits. All of these conditions must be maintained during programming. AMD PROMs are thoroughly tested to minimize unwanted fusing; fusing extra bits is generally related to programming equipment problems.

PROGRAMMING PARAMETERS

| Parameter | Description | Min. | Max. | Units |
|----------------|---|------|---------------|-------------|
| V_{CCP} | V_{CC} During Programming | 5.0 | 5.5 | Volts |
| V_{IHP} | Input HIGH Level During Programming | 2.4 | 5.5 | Volts |
| V_{ILP} | Input LOW Level During Programming | 0.0 | 0.45 | Volts |
| V_{CSP} | CS Voltage During Programming | 14.5 | 15.5 | Volts |
| V_{OP} | Output Voltage During Programming | 19.5 | 20.5 | Volts |
| V_{ONP} | Voltage on Outputs Not to be Programmed | 0 | $V_{CCP}+0.3$ | Volts |
| I_{ONP} | Current into Outputs Not to be Programmed | | 20 | mA |
| $d(V_{OP})/dt$ | Rate of Output Voltage Change | 20 | 250 | V/μ sec |
| $d(V_{CS})/dt$ | Rate of CS Voltage Change | 100 | 1000 | V/μ sec |
| t_p | Programming Period – First Attempt | 50 | 100 | μ sec |
| | Programming Period – Subsequent Attempts | 5.0 | 15 | msec |

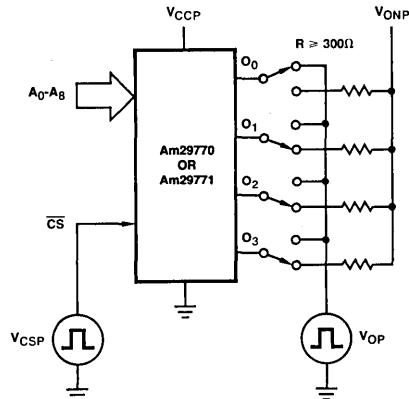
- Notes: 1. All delays between edges are specified from completion of the first edge to beginning of the second edge; i.e., not to the midpoints.
 2. Delays t_1 , t_2 , t_3 and t_4 must be greater than 100 ns; maximum delays of 1 μ sec are recommended to minimize heating during programming.
 3. During t_v , a user defined period, the output being programmed is switched to the load R and read to determine if additional pulses are required.
 4. Outputs not being programmed are connected to V_{ONP} through resistor R which provides output current limiting.

PROGRAMMING WAVEFORMS



MPR-292

SIMPLIFIED PROGRAMMING DIAGRAM



MPR-293

PROGRAMMING EQUIPMENT

Generic programming boards and device adapters are available from the sources listed below. In each case, the programming boards are used in these manufacturer's automatic

programmers to program all AMD generic series bipolar PROMs; individual adapters are required for each basic part type in the series.

| | | |
|---|---|--|
| SOURCE AND LOCATION | Data I/O Corp. P.O. Box 308 Issaquah, Wash. 98027 | Pro-Log Corp. 2411 Garden Road Monterey, Ca. 93940 |
| PROGRAMMER MODEL(S) | Model 5, 7 and 9 | M900 and M920 |
| AMD GENERIC BIPOLAR PROM PERSONALITY BOARD | 909-1286-1 | PM9058 |
| Am29770 • Am29771 ADAPTERS AND CONFIGURATOR | 715-1408-2 | PA16-1 and 512 x 4 (L) |

OBTAINING PROGRAMMED UNITS

Programmed devices may be purchased from your distributor or Advanced Micro Devices. The program data should be submitted in the form of a punched paper tape and must be accompanied by a written truth table. The punched tape can be delivered with your order or may be transmitted over a TWX machine or time-sharing terminal. ASCII BPNF is our preferred paper tape format.

Truth tables are also acceptable, but are much less desirable especially for larger density PROMs. Submission of a truth table requires the generation of a punched paper tape at the distributor or factory resulting in longer lead times, greater possibility of error, and higher cost.

ASCII BPNF

An example of an ASCII tape in the BPNF format is shown below. They can be punched on any Teletype® or on a TWX or Telex machine. The format chosen provides relatively good error detection. Paper tapes must consist of:

1. A leader of at least 25 rubouts.
2. The data patterns for all 512 words, starting with word 0, in the following format:
 - a. Any characters, including carriage return and line feed, except "B".
 - b. The letter "B", indicating the beginning of the data word.
 - c. A sequence of four Ps or Ns, starting with output O₃.
 - d. The letter "F", indicating the finish of the data word.
 - e. Any text, including carriage return and line feed, except the letter "B".
3. A trailer of at least 25 rubouts.

A P is a HIGH logic level = 2.4 volts.
An N is a LOW logic level = 0.4 volts.

A convenient pattern to use for the data words is to prefix the word (or every few words with the word number, then type the data word, then a comment, then carriage return and line feed as shown below. There must be no characters between the B and the F except for the four Ps and Ns. If an error is made in a word, the entire word must be cancelled with rubouts back to the letter B, then the word re-typed beginning with the B.

When TWXing your tape, be sure the tape is in even parity. Parity is not necessary if the tape is mailed.

TYPICAL PAPER TAPE FORMAT

| | | |
|-------|--------|-----------------------|
| ∅∅∅ | BNNNFF | WORD ZERO (R) (L) |
| | BPPNFF | COMMENT FIELD (R) (L) |
| ∅∅2 | BPPPNF | ANY (R) (L) |
| | BNNNFF | TEXT (R) (L) |
| ∅∅4 | BNNNFF | CAN (R) (L) |
| | BPPNFF | GO (R) (L) |
| ∅∅6 | BPPNFF | HERE (R) (L) |
| ∅∅8 | ∅∅∅∅∅∅ | ∅∅∅∅∅∅ |
| ∅∅10 | ∅∅∅∅∅∅ | ∅∅∅∅∅∅ |
| ∅∅12 | ∅∅∅∅∅∅ | ∅∅∅∅∅∅ |
| ∅∅14 | ∅∅∅∅∅∅ | ∅∅∅∅∅∅ |
| ∅∅16 | ∅∅∅∅∅∅ | ∅∅∅∅∅∅ |
| ∅∅18 | ∅∅∅∅∅∅ | ∅∅∅∅∅∅ |
| ∅∅20 | ∅∅∅∅∅∅ | ∅∅∅∅∅∅ |
| ∅∅22 | ∅∅∅∅∅∅ | ∅∅∅∅∅∅ |
| ∅∅24 | ∅∅∅∅∅∅ | ∅∅∅∅∅∅ |
| ∅∅26 | ∅∅∅∅∅∅ | ∅∅∅∅∅∅ |
| ∅∅28 | ∅∅∅∅∅∅ | ∅∅∅∅∅∅ |
| ∅∅30 | ∅∅∅∅∅∅ | ∅∅∅∅∅∅ |
| ∅∅32 | ∅∅∅∅∅∅ | ∅∅∅∅∅∅ |
| ∅∅34 | ∅∅∅∅∅∅ | ∅∅∅∅∅∅ |
| ∅∅36 | ∅∅∅∅∅∅ | ∅∅∅∅∅∅ |
| ∅∅38 | ∅∅∅∅∅∅ | ∅∅∅∅∅∅ |
| ∅∅40 | ∅∅∅∅∅∅ | ∅∅∅∅∅∅ |
| ∅∅42 | ∅∅∅∅∅∅ | ∅∅∅∅∅∅ |
| ∅∅44 | ∅∅∅∅∅∅ | ∅∅∅∅∅∅ |
| ∅∅46 | ∅∅∅∅∅∅ | ∅∅∅∅∅∅ |
| ∅∅48 | ∅∅∅∅∅∅ | ∅∅∅∅∅∅ |
| ∅∅50 | ∅∅∅∅∅∅ | ∅∅∅∅∅∅ |
| ∅∅52 | ∅∅∅∅∅∅ | ∅∅∅∅∅∅ |
| ∅∅54 | ∅∅∅∅∅∅ | ∅∅∅∅∅∅ |
| ∅∅56 | ∅∅∅∅∅∅ | ∅∅∅∅∅∅ |
| ∅∅58 | ∅∅∅∅∅∅ | ∅∅∅∅∅∅ |
| ∅∅60 | ∅∅∅∅∅∅ | ∅∅∅∅∅∅ |
| ∅∅62 | ∅∅∅∅∅∅ | ∅∅∅∅∅∅ |
| ∅∅64 | ∅∅∅∅∅∅ | ∅∅∅∅∅∅ |
| ∅∅66 | ∅∅∅∅∅∅ | ∅∅∅∅∅∅ |
| ∅∅68 | ∅∅∅∅∅∅ | ∅∅∅∅∅∅ |
| ∅∅70 | ∅∅∅∅∅∅ | ∅∅∅∅∅∅ |
| ∅∅72 | ∅∅∅∅∅∅ | ∅∅∅∅∅∅ |
| ∅∅74 | ∅∅∅∅∅∅ | ∅∅∅∅∅∅ |
| ∅∅76 | ∅∅∅∅∅∅ | ∅∅∅∅∅∅ |
| ∅∅78 | ∅∅∅∅∅∅ | ∅∅∅∅∅∅ |
| ∅∅80 | ∅∅∅∅∅∅ | ∅∅∅∅∅∅ |
| ∅∅82 | ∅∅∅∅∅∅ | ∅∅∅∅∅∅ |
| ∅∅84 | ∅∅∅∅∅∅ | ∅∅∅∅∅∅ |
| ∅∅86 | ∅∅∅∅∅∅ | ∅∅∅∅∅∅ |
| ∅∅88 | ∅∅∅∅∅∅ | ∅∅∅∅∅∅ |
| ∅∅90 | ∅∅∅∅∅∅ | ∅∅∅∅∅∅ |
| ∅∅92 | ∅∅∅∅∅∅ | ∅∅∅∅∅∅ |
| ∅∅94 | ∅∅∅∅∅∅ | ∅∅∅∅∅∅ |
| ∅∅96 | ∅∅∅∅∅∅ | ∅∅∅∅∅∅ |
| ∅∅98 | ∅∅∅∅∅∅ | ∅∅∅∅∅∅ |
| ∅∅100 | ∅∅∅∅∅∅ | ∅∅∅∅∅∅ |
| ∅∅102 | ∅∅∅∅∅∅ | ∅∅∅∅∅∅ |
| ∅∅104 | ∅∅∅∅∅∅ | ∅∅∅∅∅∅ |
| ∅∅106 | ∅∅∅∅∅∅ | ∅∅∅∅∅∅ |
| ∅∅108 | ∅∅∅∅∅∅ | ∅∅∅∅∅∅ |
| ∅∅110 | ∅∅∅∅∅∅ | ∅∅∅∅∅∅ |
| ∅∅112 | ∅∅∅∅∅∅ | ∅∅∅∅∅∅ |
| ∅∅114 | ∅∅∅∅∅∅ | ∅∅∅∅∅∅ |
| ∅∅116 | ∅∅∅∅∅∅ | ∅∅∅∅∅∅ |
| ∅∅118 | ∅∅∅∅∅∅ | ∅∅∅∅∅∅ |
| ∅∅120 | ∅∅∅∅∅∅ | ∅∅∅∅∅∅ |
| ∅∅122 | ∅∅∅∅∅∅ | ∅∅∅∅∅∅ |
| ∅∅124 | ∅∅∅∅∅∅ | ∅∅∅∅∅∅ |
| ∅∅126 | ∅∅∅∅∅∅ | ∅∅∅∅∅∅ |
| ∅∅128 | ∅∅∅∅∅∅ | ∅∅∅∅∅∅ |
| ∅∅130 | ∅∅∅∅∅∅ | ∅∅∅∅∅∅ |
| ∅∅132 | ∅∅∅∅∅∅ | ∅∅∅∅∅∅ |
| ∅∅134 | ∅∅∅∅∅∅ | ∅∅∅∅∅∅ |
| ∅∅136 | ∅∅∅∅∅∅ | ∅∅∅∅∅∅ |
| ∅∅138 | ∅∅∅∅∅∅ | ∅∅∅∅∅∅ |
| ∅∅140 | ∅∅∅∅∅∅ | ∅∅∅∅∅∅ |
| ∅∅142 | ∅∅∅∅∅∅ | ∅∅∅∅∅∅ |
| ∅∅144 | ∅∅∅∅∅∅ | ∅∅∅∅∅∅ |
| ∅∅146 | ∅∅∅∅∅∅ | ∅∅∅∅∅∅ |
| ∅∅148 | ∅∅∅∅∅∅ | ∅∅∅∅∅∅ |
| ∅∅150 | ∅∅∅∅∅∅ | ∅∅∅∅∅∅ |
| ∅∅152 | ∅∅∅∅∅∅ | ∅∅∅∅∅∅ |
| ∅∅154 | ∅∅∅∅∅∅ | ∅∅∅∅∅∅ |
| ∅∅156 | ∅∅∅∅∅∅ | ∅∅∅∅∅∅ |
| ∅∅158 | ∅∅∅∅∅∅ | ∅∅∅∅∅∅ |
| ∅∅160 | ∅∅∅∅∅∅ | ∅∅∅∅∅∅ |
| ∅∅162 | ∅∅∅∅∅∅ | ∅∅∅∅∅∅ |
| ∅∅164 | ∅∅∅∅∅∅ | ∅∅∅∅∅∅ |
| ∅∅166 | ∅∅∅∅∅∅ | ∅∅∅∅∅∅ |
| ∅∅168 | ∅∅∅∅∅∅ | ∅∅∅∅∅∅ |
| ∅∅170 | ∅∅∅∅∅∅ | ∅∅∅∅∅∅ |
| ∅∅172 | ∅∅∅∅∅∅ | ∅∅∅∅∅∅ |
| ∅∅174 | ∅∅∅∅∅∅ | ∅∅∅∅∅∅ |
| ∅∅176 | ∅∅∅∅∅∅ | ∅∅∅∅∅∅ |
| ∅∅178 | ∅∅∅∅∅∅ | ∅∅∅∅∅∅ |
| ∅∅180 | ∅∅∅∅∅∅ | ∅∅∅∅∅∅ |
| ∅∅182 | ∅∅∅∅∅∅ | ∅∅∅∅∅∅ |
| ∅∅184 | ∅∅∅∅∅∅ | ∅∅∅∅∅∅ |
| ∅∅186 | ∅∅∅∅∅∅ | ∅∅∅∅∅∅ |
| ∅∅188 | ∅∅∅∅∅∅ | ∅∅∅∅∅∅ |
| ∅∅190 | ∅∅∅∅∅∅ | ∅∅∅∅∅∅ |
| ∅∅192 | ∅∅∅∅∅∅ | ∅∅∅∅∅∅ |
| ∅∅194 | ∅∅∅∅∅∅ | ∅∅∅∅∅∅ |
| ∅∅196 | ∅∅∅∅∅∅ | ∅∅∅∅∅∅ |
| ∅∅198 | ∅∅∅∅∅∅ | ∅∅∅∅∅∅ |
| ∅∅200 | ∅∅∅∅∅∅ | ∅∅∅∅∅∅ |
| ∅∅202 | ∅∅∅∅∅∅ | ∅∅∅∅∅∅ |
| ∅∅204 | ∅∅∅∅∅∅ | ∅∅∅∅∅∅ |
| ∅∅206 | ∅∅∅∅∅∅ | ∅∅∅∅∅∅ |
| ∅∅208 | ∅∅∅∅∅∅ | ∅∅∅∅∅∅ |
| ∅∅210 | ∅∅∅∅∅∅ | ∅∅∅∅∅∅ |
| ∅∅212 | ∅∅∅∅∅∅ | ∅∅∅∅∅∅ |
| ∅∅214 | ∅∅∅∅∅∅ | ∅∅∅∅∅∅ |
| ∅∅216 | ∅∅∅∅∅∅ | ∅∅∅∅∅∅ |
| ∅∅218 | ∅∅∅∅∅∅ | ∅∅∅∅∅∅ |
| ∅∅220 | ∅∅∅∅∅∅ | ∅∅∅∅∅∅ |
| ∅∅222 | ∅∅∅∅∅∅ | ∅∅∅∅∅∅ |
| ∅∅224 | ∅∅∅∅∅∅ | ∅∅∅∅∅∅ |
| ∅∅226 | ∅∅∅∅∅∅ | ∅∅∅∅∅∅ |
| ∅∅228 | ∅∅∅∅∅∅ | ∅∅∅∅∅∅ |
| ∅∅230 | ∅∅∅∅∅∅ | ∅∅∅∅∅∅ |
| ∅∅232 | ∅∅∅∅∅∅ | ∅∅∅∅∅∅ |
| ∅∅234 | ∅∅∅∅∅∅ | ∅∅∅∅∅∅ |
| ∅∅236 | ∅∅∅∅∅∅ | ∅∅∅∅∅∅ |
| ∅∅238 | ∅∅∅∅∅∅ | ∅∅∅∅∅∅ |
| ∅∅240 | ∅∅∅∅∅∅ | ∅∅∅∅∅∅ |
| ∅∅242 | ∅∅∅∅∅∅ | ∅∅∅∅∅∅ |
| ∅∅244 | ∅∅∅∅∅∅ | ∅∅∅∅∅∅ |
| ∅∅246 | ∅∅∅∅∅∅ | ∅∅∅∅∅∅ |
| ∅∅248 | ∅∅∅∅∅∅ | ∅∅∅∅∅∅ |
| ∅∅250 | ∅∅∅∅∅∅ | ∅∅∅∅∅∅ |
| ∅∅252 | ∅∅∅∅∅∅ | ∅∅∅∅∅∅ |
| ∅∅254 | ∅∅∅∅∅∅ | ∅∅∅∅∅∅ |
| ∅∅256 | ∅∅∅∅∅∅ | ∅∅∅∅∅∅ |
| ∅∅258 | ∅∅∅∅∅∅ | ∅∅∅∅∅∅ |
| ∅∅260 | ∅∅∅∅∅∅ | ∅∅∅∅∅∅ |
| ∅∅262 | ∅∅∅∅∅∅ | ∅∅∅∅∅∅ |
| ∅∅264 | ∅∅∅∅∅∅ | ∅∅∅∅∅∅ |
| ∅∅266 | ∅∅∅∅∅∅ | ∅∅∅∅∅∅ |
| ∅∅268 | ∅∅∅∅∅∅ | ∅∅∅∅∅∅ |
| ∅∅270 | ∅∅∅∅∅∅ | ∅∅∅∅∅∅ |
| ∅∅272 | ∅∅∅∅∅∅ | ∅∅∅∅∅∅ |
| ∅∅274 | ∅∅∅∅∅∅ | ∅∅∅∅∅∅ |
| ∅∅276 | ∅∅∅∅∅∅ | ∅∅∅∅∅∅ |
| ∅∅278 | ∅∅∅∅∅∅ | ∅∅∅∅∅∅ |
| ∅∅280 | ∅∅∅∅∅∅ | ∅∅∅∅∅∅ |
| ∅∅282 | ∅∅∅∅∅∅ | ∅∅∅∅∅∅ |
| ∅∅284 | ∅∅∅∅∅∅ | ∅∅∅∅∅∅ |
| ∅∅286 | ∅∅∅∅∅∅ | ∅∅∅∅∅∅ |
| ∅∅288 | ∅∅∅∅∅∅ | ∅∅∅∅∅∅ |
| ∅∅290 | ∅∅∅∅∅∅ | ∅∅∅∅∅∅ |
| ∅∅292 | ∅∅∅∅∅∅ | ∅∅∅∅∅∅ |
| ∅∅294 | ∅∅∅∅∅∅ | ∅∅∅∅∅∅ |
| ∅∅296 | ∅∅∅∅∅∅ | ∅∅∅∅∅∅ |
| ∅∅298 | ∅∅∅∅∅∅ | ∅∅∅∅∅∅ |
| ∅∅300 | ∅∅∅∅∅∅ | ∅∅∅∅∅∅ |
| ∅∅302 | ∅∅∅∅∅∅ | ∅∅∅∅∅∅ |
| ∅∅304 | ∅∅∅∅∅∅ | ∅∅∅∅∅∅ |
| ∅∅306 | ∅∅∅∅∅∅ | ∅∅∅∅∅∅ |
| ∅∅308 | ∅∅∅∅∅∅ | ∅∅∅∅∅∅ |
| ∅∅310 | ∅∅∅∅∅∅ | ∅∅∅∅∅∅ |
| ∅∅312 | ∅∅∅∅∅∅ | ∅∅∅∅∅∅ |
| ∅∅314 | ∅∅∅∅∅∅ | ∅∅∅∅∅∅ |
| ∅∅316 | ∅∅∅∅∅∅ | ∅∅∅∅∅∅ |
| ∅∅318 | ∅∅∅∅∅∅ | ∅∅∅∅∅∅ |
| ∅∅320 | ∅∅∅∅∅∅ | ∅∅∅∅∅∅ |
| ∅∅322 | ∅∅∅∅∅∅ | ∅∅∅∅∅∅ |
| ∅∅324 | ∅∅∅∅∅∅ | ∅∅∅∅∅∅ |
| ∅∅326 | ∅∅∅∅∅∅ | ∅∅∅∅∅∅ |
| ∅∅328 | ∅∅∅∅∅∅ | ∅∅∅∅∅∅ |
| ∅∅330 | ∅∅∅∅∅∅ | ∅∅∅∅∅∅ |
| ∅∅332 | ∅∅∅∅∅∅ | ∅∅∅∅∅∅ |
| ∅∅334 | ∅∅∅∅∅∅ | ∅∅∅∅∅∅ |
| ∅∅336 | ∅∅∅∅∅∅ | ∅∅∅∅∅∅ |
| ∅∅338 | ∅∅∅∅∅∅ | ∅∅∅∅∅∅ |
| ∅∅340 | ∅∅∅∅∅∅ | ∅∅∅∅∅∅ |
| ∅∅342 | ∅∅∅∅∅∅ | ∅∅∅∅∅∅ |
| ∅∅344 | ∅∅∅∅∅∅ | ∅∅∅∅∅∅ |
| ∅∅346 | ∅∅∅∅∅∅ | ∅∅∅∅∅∅ |
| ∅∅348 | ∅∅∅∅∅∅ | ∅∅∅∅∅∅ |
| ∅∅350 | ∅∅∅∅∅∅ | ∅∅∅∅∅∅ |
| ∅∅352 | ∅∅∅∅∅∅ | ∅∅∅∅∅∅ |
| ∅∅354 | ∅∅∅∅∅∅ | ∅∅∅∅∅∅ |
| ∅∅356 | ∅∅∅∅∅∅ | ∅∅∅∅∅∅ |
| ∅∅358 | ∅∅∅∅∅∅ | ∅∅∅∅∅∅ |
| ∅∅360 | ∅∅∅∅∅∅ | ∅∅∅∅∅∅ |
| ∅∅362 | ∅∅∅∅∅∅ | ∅∅∅∅∅∅ |
| ∅∅364 | ∅∅∅∅∅∅ | ∅∅∅∅∅∅ |
| ∅∅366 | ∅∅∅∅∅∅ | ∅∅∅∅∅∅ |
| ∅∅368 | ∅∅∅∅∅∅ | ∅∅∅∅∅∅ |
| ∅∅370 | ∅∅∅∅∅∅ | ∅∅∅∅∅∅ |
| ∅∅372 | ∅∅∅∅∅∅ | ∅∅∅∅∅∅ |
| ∅∅374 | ∅∅∅∅∅∅ | ∅∅∅∅∅∅ |
| ∅∅376 | ∅∅∅∅∅∅ | ∅∅∅∅∅∅ |
| ∅∅378 | ∅∅∅∅∅∅ | ∅∅∅∅∅∅ |
| ∅∅380 | ∅∅∅∅∅∅ | ∅∅∅∅∅∅ |
| ∅∅382 | ∅∅∅∅∅∅ | ∅∅∅∅∅∅ |
| ∅∅384 | ∅∅∅∅∅∅ | ∅∅∅∅∅∅ |
| ∅∅386 | ∅∅∅∅∅∅ | ∅∅∅∅∅∅ |
| ∅∅388 | ∅∅∅∅∅∅ | ∅∅∅∅∅∅ |
| | | |

Am29774 • Am29775

4096-Bit Generic Series Bipolar PROM with Register

PRELIMINARY DATA

DISTINCTIVE CHARACTERISTICS

- On chip edge triggered registers – Ideal for pipelined microprogrammed systems
- Versatile synchronous and asynchronous enables for simplified word expansion
- Predetermined OFF outputs on power-up
- Fast 50ns address setup and 20ns clock to output times
- Excellent performance over the military range
- Performance pretested with N^2 patterns
- Space saving 22 pin package
- Highly reliable, ultra-fast programming Platinum-Silicide fuses
- High programming yield
- Low current PNP inputs
- High current open collector and three state outputs
- Common Generic PROM Series characteristics and programming procedures

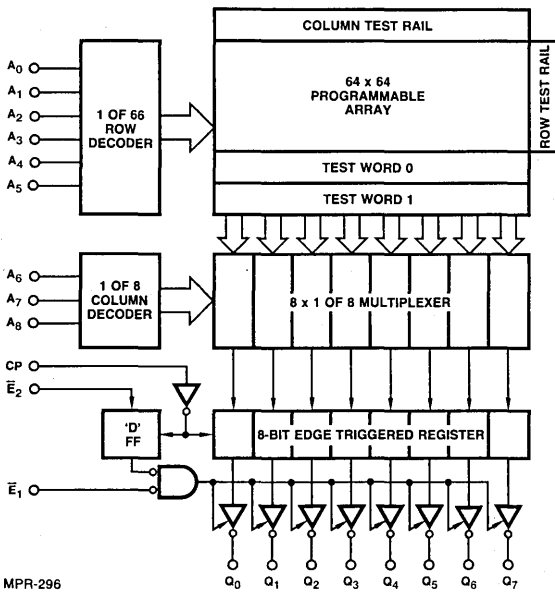
FUNCTIONAL DESCRIPTION

The Am29774 and Am29775 are electrically programmable Schottky TTL read only memories incorporating true D-type, master-slave data registers on chip. These devices feature the versatile 512 word by 8 bit organization and are available in both the open collector Am29774 and three-state Am29775 output versions. Designed to optimize system performance, these devices also substantially reduce the cost of pipelined microprogrammed systems and other designs wherein accessed PROM data is temporarily stored in a register. The Am29774 and Am29775 also offer maximal flexibility for memory expansion and data bus control by providing both synchronous and asynchronous output enables.

When V_{CC} power is first applied, the synchronous enable (\bar{E}_2) flip-flop will be in the set condition causing the outputs, Q_0 - Q_7 , to be in the OFF or high impedance state, eliminating the need for a register clear input. Reading data is accomplished by first applying the binary word address to the address inputs, A_0 - A_8 , and a logic LOW to the synchronous output enable, \bar{E}_2 . During the address setup time, stored data is accessed and loaded into the master flip-flops of the data register. Since the synchronous enable setup time is less than the address setup requirement, additional decoding delays may occur in the enable path without reducing memory performance. Upon the next LOW-to-HIGH transition of the clock, CP, data is transferred to the slave flip-flops which drive the output buffers. Providing the asynchronous enable, \bar{E}_1 , is also LOW, stored data will appear on the outputs, Q_0 - Q_7 . If \bar{E}_2 is HIGH when the positive clock edge occurs, outputs go to the OFF or high impedance state. The outputs may be disabled at any time by switching \bar{E}_1 to a HIGH level. Following the positive clock edge, the address and synchronous enable inputs are free to change; changes do not affect the outputs until another positive clock edge occurs. This unique feature allows the PROM decoders and sense amplifiers to access the next location while previously addressed data remains stable on the outputs. For less complex applications either enable may be effectively eliminated by tying it to ground.

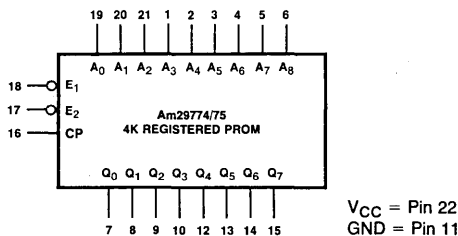
The on-chip, edge triggered register simplifies system timing since the PROM clock may be derived directly from system clock without introducing dangerous race conditions. Other register timing requirements are similar to those of standard Schottky registers and are easily implemented.

BLOCK DIAGRAM



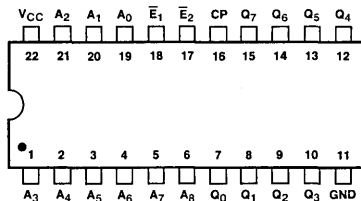
MPR-296

LOGIC SYMBOL



MPR-297

CONNECTION DIAGRAM Top View



Note: Pin 1 is marked for orientation.

MPR-298

GENERIC SERIES CHARACTERISTICS

The Am29974 and Am29775 are members of an Advanced PROM series incorporating common electrical characteristics and programming procedures. All parts in this series are produced with a fusible link at each memory location storing a logic LOW and can be selectively programmed to a logic HIGH by applying appropriate voltages to the circuit.

All parts are fabricated with AMD's fast programming highly reliable Platinum-Silicide Fuse technology. Utilizing easily implemented programming (and common programming personality card sets) these products can be rapidly programmed to any customized pattern. Extra test words are pre-programmed during manufacturing to insure extremely high field programming yields, and produce excellent parametric correlation.

Platinum-Silicide was selected as the fuse link material to achieve a well controlled melt rate resulting in large non-conductive gaps that ensure very stable long term reliability. Extensive operating testing has proven that this low-field, large-gap technology offers the best reliability for fusible link PROMs.

Common design features include active loading of all critical AC paths regulated by a built-in temperature and voltage compensated bias network to provide excellent parametric performance over MIL supply and temperature ranges. Selective feedback techniques have been employed to minimize delays through all critical paths producing the fastest speeds possible from Schottky processed PROMs.

MAXIMUM RATINGS (Above which the useful life may be impaired)

| | |
|--|--------------------------------|
| Storage Temperature | -65°C to +150°C |
| Temperature (Ambient) Under Bias | -55°C to +125°C |
| Supply Voltage to Ground Potential (Pin 16 to Pin 8) Continuous | -0.5V to +7.0V |
| DC Voltage Applied to Outputs (Except During Programming) | -0.5V to +V _{CC} max. |
| DC Voltage Applied to Outputs During Programming | 21V |
| Output Current into Outputs During Programming (Max. Duration of 1 sec.) | 200mA |
| DC Input Voltage | -0.5V to +5.5V |
| DC Input Current | -30mA to +5mA |

OPERATING RANGE

| | | | |
|-------|----------------------|----------------------------------|-----------------------------|
| COM'L | AM29774XC, AM29775XC | T _A = 0°C to +75°C | V _{CC} = 5.0V ±5% |
| MIL | AM29774XM, AM29775XM | T _C = -55°C to +125°C | V _{CC} = 5.0V ±10% |

ELECTRICAL CHARACTERISTICS OVER OPERATING RANGE (Unless Otherwise Noted)
PRELIMINARY DATA

| Parameters | Description | Test Conditions | Min. | Typ. (Note 1) | Max. | Units |
|-----------------------------------|------------------------------|--|------|------------------|--------|-------|
| V _{OH} (Am29775 only) | Output HIGH Voltage | V _{CC} = MIN., I _{OH} = -2.0mA V _{IN} = V _{IH} or V _{IL} | 2.4 | | | Volts |
| V _{OL} | Output LOW Voltage | V _{CC} = MIN., I _{OL} = 16mA V _{IN} = V _{IH} or V _{IL} | | 0.38 | 0.50 | Volts |
| V _{IH} | Input HIGH Level | Guaranteed input logical HIGH voltage for all inputs | 2.0 | | | Volts |
| V _{IL} | Input LOW Level | Guaranteed input logical LOW voltage for all inputs | | | 0.8 | Volts |
| I _{IL} | Input LOW Current | V _{CC} = MAX., V _{IN} = 0.45V | | -0.010 | -0.250 | mA |
| I _{IH} | Input HIGH Current | V _{CC} = MAX., V _{IN} = 2.7V | | | 25 | μA |
| I _I | Input HIGH Current | V _{CC} = MAX., V _{IN} = 5.5V | | | 1.0 | mA |
| I _{SC} (Am29775 only) | Output Short Circuit Current | V _{CC} = MAX., V _{OUT} = 0.0V (Note 2) | -20 | -40 | -90 | mA |
| I _{CC} | Power Supply Current | All inputs = GND V _{CC} = MAX. | | 125 | 185 | mA |
| V _I | Input Clamp Voltage | V _{CC} = MIN., I _{IN} = -18mA | | | -1.2 | Volts |
| I _{CEX} | Output Leakage Current | V _{CC} = MAX. V _{E1} = 2.4V | | | 100 | μA |
| | | Am29775 only | | | 40 | |
| | | | | | -40 | |
| C _{IN} | Input Capacitance | V _{IN} = 2.0V @ f = 1MHz (Note 3) | | 8.0 | | pF |
| C _{OUT} | Output Capacitance | V _{OUT} = 2.0V @ f = 1MHz (Note 3) | | 12 | | |

Notes: 1. Typical limits are at V_{CC} = 5.0V and T_A = 25°C.

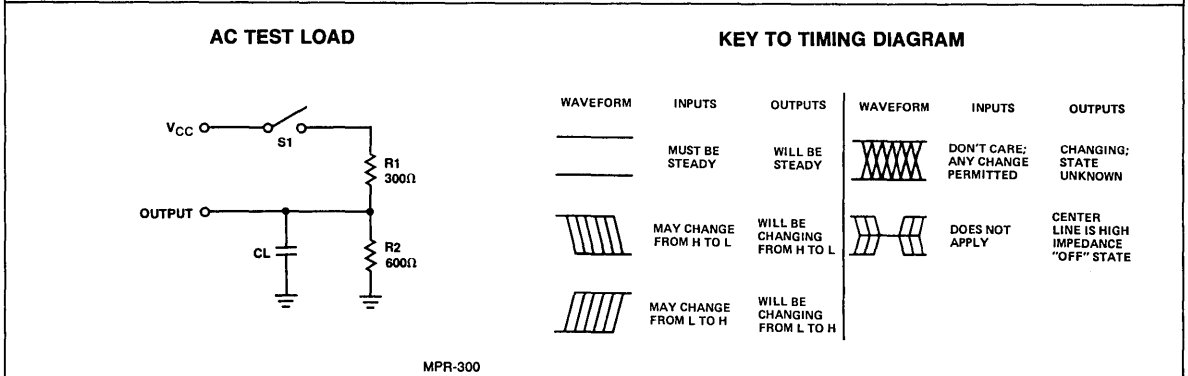
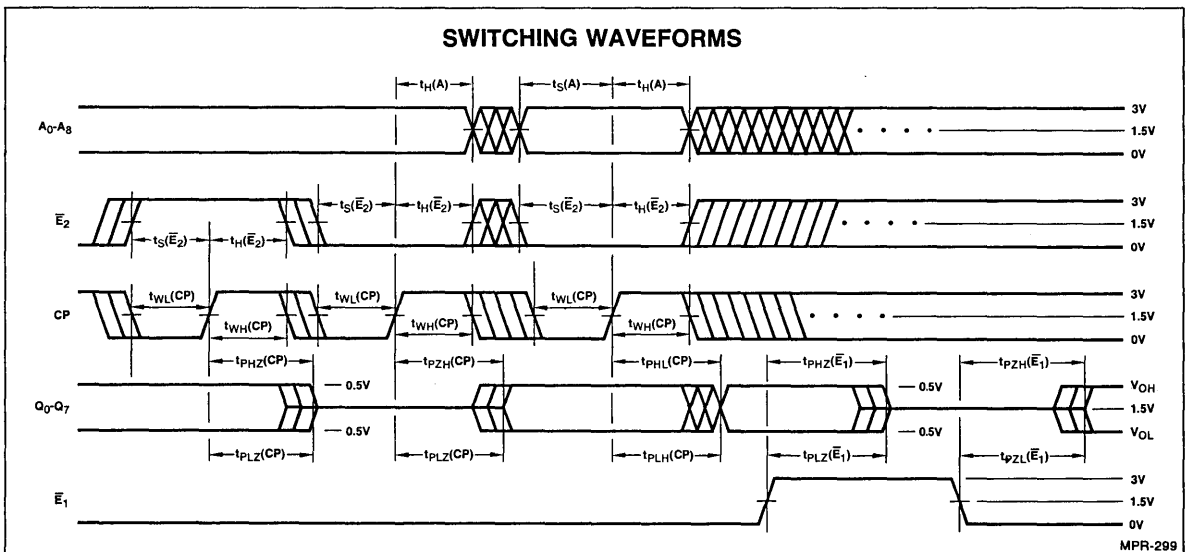
2. Not more than one output should be shorted at a time. Duration of the short circuit should not be more than one second.

3. These parameters are not 100% tested, but are periodically sampled.

SWITCHING CHARACTERISTICS OVER OPERATING RANGE
PRELIMINARY DATA

| Parameter | Description | Test Conditions | $T_A = 25^\circ\text{C}$ $V_{CC} = 5.0\text{V}$ | | | COM'L | | MIL | | Units |
|--|--|--|--|------|------|-------|------|------|------|-------|
| | | | Typ. | Min. | Max. | Min. | Max. | Min. | Max. | |
| $t_S(A)$ | Address to CP (HIGH) Setup Time | $C_L = 30\text{pF}$ S_1 closed. (See AC Test Load below) | 40 | 50 | | | | | | ns |
| $t_H(A)$ | Address to CP (HIGH) Hold Time | | -15 | 0 | | | | | | ns |
| $t_{PHL}(CP)$ $t_{PLH}(CP)$ | Delay from CP (HIGH) to Output (HIGH or LOW) | | 15 | | 20 | | | | | ns |
| $t_{WH}(CP)$ $t_{WL}(CP)$ | CP Width (HIGH or LOW) | | 10 | 20 | | | | | | ns |
| $t_S(\bar{E}_2)$ | \bar{E}_2 to CP (HIGH) Setup Time | | 10 | 20 | | | | | | ns |
| $t_H(\bar{E}_2)$ | \bar{E}_2 to CP (HIGH) Hold Time | | -10 | 0 | | | | | | ns |
| $t_{PZL}(CP)$ $t_{PZH}(CP)$ | Delay from CP (HIGH) to Active Output (HIGH or LOW) (Note 1) | $C_L = 30\text{pF}$ S_1 closed for t_{PZL} and open for t_{PZH} | 15 | | 25 | | | | | ns |
| $t_{PZL}(\bar{E}_1)$ $t_{PZH}(\bar{E}_1)$ | Delay from \bar{E}_1 (LOW) to Active Output (HIGH or LOW) (Note 1) | | 15 | | 30 | | | | | ns |
| $t_{PLZ}(CP)$ $t_{PHZ}(CP)$ | Delay from CP (HIGH) to Inactive Output (OFF or high Impedance)(Note 1) | $C_L = 5\text{pF}$ (Note 2) S_1 closed for t_{PLZ} and open for t_{PHZ} | 15 | | 25 | | | | | ns |
| $t_{PLZ}(\bar{E}_1)$ $t_{PHZ}(\bar{E}_1)$ | Delay from \bar{E}_1 (HIGH) to Inactive Output (OFF or high Impedance)(Note 1) | | 10 | | 20 | | | | | ns |

- Notes: 1. t_{PHZ} and t_{PZH} apply to the three-state Am29775 only.
 2. t_{PHZ} and t_{PLZ} are measured to the $V_{OH} - 0.5\text{V}$ and $V_{OL} + 0.5\text{V}$ output levels respectively. All other switching parameters are tested from and to the 1.5V threshold levels.
 3. Tests are performed with input 10% to 90% rise and fall times of 5ns or less.



PROGRAMMING

The Am29774 and Am29775 are manufactured with a conductive Platinum-Silicide link at each bit location. The output of the memory with the link in place is LOW. The fusible links are opened one at a time by passing current through them from a 20 volt supply which is applied to the memory output after the \bar{E}_1 input is at a logic HIGH. Current is gated through the addressed fuse by raising the \bar{E}_1 input from a logic HIGH to 15 volts. After 50 μ sec, the 20 volt supply is removed, the chip is enabled and the CP input is clocked. Each data verification attempt must be preceded by a positive going (LOW-to-HIGH) clock edge to load the array data into the on-chip register. The output level is then sensed to determine if the link has opened. Most links will open within 50 μ sec. Occasionally a link will be stronger and require additional programming cycles. The recommended duration of additional programming periods is 5 msec. If a link has not opened after a total elapsed programming time of 400 msec, further programming of the device should not be attempted. Successive links are programmed in the same manner until all desired bit locations have been programmed to the HIGH level.

Typical current into an output during programming will be approximately 140mA until the fuse link is opened, after which the

current drops to approximately 40mA. Current into the \bar{E}_1 pin when it is raised to 15 volts is typically 1.5mA.

The memories may become hot during programming due to the large currents being passed. Programming cycles should not be continuously applied to one device more than 5 seconds to avoid heat damage. If this programming time is exceeded, all power to the chip including V_{CC} should be removed for a period of 5 seconds after which programming may be resumed.

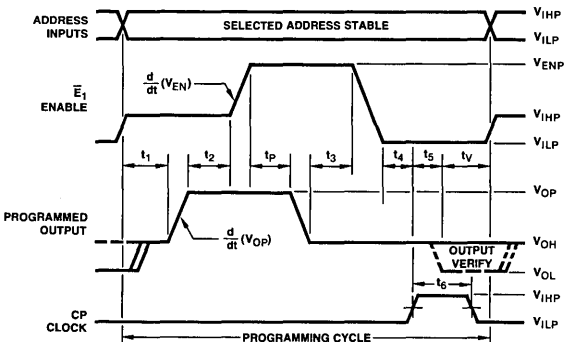
When all programming has been completed, the data content of the memory should be verified by clocking and reading all words. Occasionally this verification will show that an extra undesired link has been fused. Should this occur, immediately check the programming equipment to make sure that all device pins are firmly contacting the programming socket, that the input signal levels exhibit sufficient noise margins, and that the programming voltages are within the specified limits. All of these conditions must be maintained during programming. AMD PROMs are thoroughly tested to minimize unwanted fusing; fusing extra bits is generally related to programming equipment problems.

PROGRAMMING PARAMETERS

| Parameter | Description | Min. | Max. | Units |
|----------------|---|------|-----------------|--------------|
| V_{CCP} | V_{CC} During Programming | 5.0 | 5.5 | Volts |
| V_{IHP} | Input HIGH Level During Programming | 2.4 | 5.5 | Volts |
| V_{ILP} | Input LOW Level During Programming | 0.0 | 0.45 | Volts |
| V_{ENP} | \bar{E}_1 Voltage During Programming | 14.5 | 15.5 | Volts |
| V_{OP} | Output Voltage During Programming | 19.5 | 20.5 | Volts |
| V_{ONP} | Voltage on Outputs Not to be Programmed | 0 | $V_{CCP} + 0.3$ | Volts |
| I_{ONP} | Current into Outputs Not to be Programmed | | 20 | mA |
| $d(V_{OP})/dt$ | Rate of Output Voltage Change | 20 | 250 | V/ μ sec |
| $d(V_{EN})/dt$ | Rate of \bar{E}_1 Voltage Change | 100 | 1000 | V/ μ sec |
| t_p | Programming Period – First Attempt | 50 | 100 | μ sec |
| | Programming Period – Subsequent Attempts | 5.0 | 15 | msec |

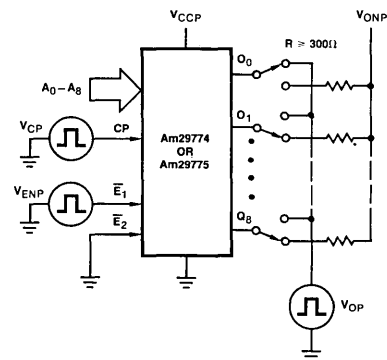
- Notes: 1. All delays between edges are specified from completion of the first edge to beginning of the second edge; i.e., not to the midpoints.
 2. Delays t_1 through t_6 must be greater than 100 ns; maximum delays of 1 μ sec are recommended to minimize heating during programming.
 3. During t_v , a user defined period, the output being programmed is switched to the load R and read to determine if additional pulses are required.
 4. Outputs not being programmed are connected to V_{ONP} through resistor R which provides output current limiting.

PROGRAMMING WAVEFORMS



MPR-301

SIMPLIFIED PROGRAMMING DIAGRAM



MPR-302

PROGRAMMING EQUIPMENT

Generic programming boards and device adapters are available from the sources listed below. In each case, the programming boards are used in these manufacturer's automatic

programmers to program all AMD generic series bipolar PROMs; individual adapters are required for each basic part type in the series.

| | | |
|---|---|--|
| SOURCE AND LOCATION | Data I/O Corp. P.O. Box 308 Issaquah, Wash. 98027 | Pro-Log Corp. 2411 Garden Road Monterey, Ca. 93940 |
| PROGRAMMER MODEL(S) | Model 5, 7 and 9 | M900 and M920 |
| AMD GENERIC BIPOLAR PROM PERSONALITY BOARD | 909-1286-1 | PM9058 |
| Am29774 • Am29775 ADAPTERS AND CONFIGURATOR | 715-1412-2 | PA22-4 and 512 x 8 w/Register (L) |

OBTAINING PROGRAMMED UNITS

Programmed devices may be purchased from your distributor or Advanced Micro Devices. The program data should be submitted in the form of a punched paper tape and must be accompanied by a written truth table. The punched tape can be delivered with your order or may be transmitted over a TWX machine or time-sharing terminal. ASCII BPNF is our preferred paper tape format.

Truth tables are also acceptable, however, much less desirable especially for larger density PROMs. Submission of a truth table requires the generation of a punched paper tape at the distributor or factory resulting in longer lead times, greater possibility of error, and higher cost.

ASCII BPNF

An example of an ASCII tape in the BPNF format is shown below. They can be punched on any Teletype® or on a TWX or Telex machine. The format chosen provides relatively good error detection. Paper tapes must consist of:

1. A leader of at least 25 rubouts.
2. The data patterns for all 512 words, starting with word 0, in the following format:
 - a. Any characters, including carriage return and line feed, except "B".
 - b. The letter "B", indicating the beginning of the data word.
 - c. A sequence of eight Ps or Ns, starting with output Q₇.
 - d. The letter "F", indicating the finish of the data word.
 - e. Any text, including carriage return and line feed, except the letter "B".

3. A trailer of at least 25 rubouts.

A P is a HIGH logic level = 2.4 volts.
An N is a LOW logic level = 0.4 volts.

A convenient pattern to use for the data words is to prefix the word (or every few words) with the word number, then type the data word, then a comment, then carriage return and line feed as shown below. There must be no characters between the B and the F except for the eight Ps and Ns. If an error is made in a word, the entire word must be cancelled with rubouts back to the letter B, then the word re-typed beginning with the B.

When TWXing your tape, be sure the tape is in even parity. Parity is not necessary if the tape is mailed.

TYPICAL PAPER TAPE FORMAT

```

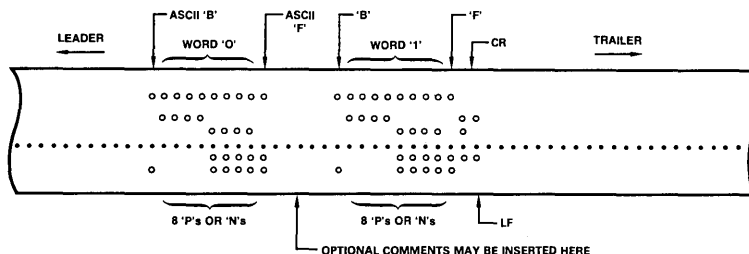
000 BPNPPNNPF WORD ZERO (R) (L)
      BPPPPPPNF COMMENT FIELD (R) (L)
002 BNNPPPPNF ANY (R) (L)
      BNNNNNNNF TEXT (R) (L)
004 BPNNNNNNF CAN (R) (L)
      BNPPNPPNF GO (R) (L)
006 BPNPPPPNF HERE (R) (L)
      .....
      .....
511 BNNNNPPNF END (R) (L)
  
```

(R) = CARRIAGE RETURN
(L) = LINE FEED

RESULTING DEVICE TRUTH TABLE (\bar{E}_1 AND \bar{E}_2 LOW)

| A ₈ | A ₇ | A ₆ | A ₅ | A ₄ | A ₃ | A ₂ | A ₁ | A ₀ | Q ₇ | Q ₆ | Q ₅ | Q ₄ | Q ₃ | Q ₂ | Q ₁ | Q ₀ |
|----------------|----------------|----------------|----------------|----------------|----------------|----------------|----------------|----------------|----------------|----------------|----------------|----------------|----------------|----------------|----------------|----------------|
| L | L | L | L | L | L | L | L | L | H | L | H | H | L | L | L | H |
| L | L | L | L | L | L | L | L | H | H | H | H | H | H | H | L | L |
| L | L | L | L | L | L | L | H | L | L | L | L | L | L | H | H | L |
| L | L | L | L | L | L | L | H | H | L | L | L | L | L | L | L | L |
| L | L | L | L | L | L | H | L | L | H | L | L | L | L | L | L | H |
| L | L | L | L | L | L | H | L | H | L | H | H | L | H | H | L | L |
| L | L | L | L | L | L | H | H | L | H | L | L | H | H | H | L | L |
| H | H | H | H | H | H | H | H | H | L | L | L | L | H | H | H | L |

ASCII PAPER TAPE



APPLYING THE Am29774 AND Am29775 IN BIPOLAR MICROCOMPUTERS (Cont.)

Basically, a microprogrammed machine is one in which a coherent sequence of microinstructions is used to execute various commands required by the machine. If the machine is a computer, each sequence of microinstructions can be made to execute a machine instruction. All of the little elemental tasks performed by the machine in executing the machine instruction are called microinstructions. The storage area for these microinstructions is usually called the microprogram memory.

A microinstruction usually has two primary parts. These are: (1) the definition and control of all elemental micro-operations to be carried out and (2) the definition and control of the address of the next microinstruction to be executed.

The definition of the various micro-operations to be carried out usually includes such things as ALU source operand selection, ALU function, ALU destination, carry control, shift control, interrupt control, data-in and data-out control, and so forth. The definition of the next microinstruction function usually includes identifying the source selection of the next microinstruction address and, in some cases, supplying the actual value of that microinstruction address.

Microprogrammed machines are usually distinguished from non-microprogrammed machines in the following manner. Older, non-microprogrammed machines implemented the control function by using combinations of gates and flip-flops connected in a somewhat random fashion in order to generate the required timing and control signals for the machine. Microprogrammed machines, on the other hand, are normally considered highly ordered, particularly with regard to the control function field, and use high speed PROM's for control definition. In its simplest definition, a microprogram control unit consists of the microprogram memory and the structure required to determine the address of the next microinstruction.

The microprogram memory control unit block diagram of Figure 1 is easily implemented using the Am2910 and the Am29774/75 registered PROM's. This architecture provides a structured state machine design capable of executing many highly sophisticated next address control instructions. The Am2910 contains a next address multiplexer that provides four different inputs from which the address of the next microinstruction can be selected. These are the direct input (D), the register input (R), the program counter (PC), and the file (F). The starting address decoder (mapping PROM) output and the Am29774/75's pipeline register output are connected together at the D input to the Am2910 and are operated in the three-state mode.

The architecture of Figure 1 shows an instruction register capable of being loaded with a machine instruction word from the data bus. The op code portion of the instruction is decoded using a mapping PROM to arrive at a starting address for the microinstruction sequence required to execute the machine instruction. When the microprogram memory address is to be the first microinstruction of the machine instruction sequence, the Am2910 next address control selects the multiplexer D input and enables the three-state output from the mapping PROM. When the current microinstruction being executed is selecting the next microinstruction address as a JUMP function, the JUMP address will be available at the multiplexer D input. This is accomplished by having the Am2910 select the next address multiplexer D input and also enabling the three-state output of the pipeline register branch address field. The register enable input to the Am2910 can be grounded so that this register will load the value at the Am2910 D input. The value at D is clocked into the Am2910's register (R) at the end of the current microcycle, which makes the D value of this microcycle available as the R value of the next

microcycle. Thus, by using the branch address field of two sequential microinstructions, a conditional JUMP-TO-ONE-OF-TWO-SUBROUTINES or a conditional JUMP-TO-ONE-OF-TWO-BRANCH-ADDRESSES can be executed by either selecting the D input or the R input of the next address multiplexer.

When sequencing through continuous microinstructions in the Am29774/75 microprogram memory, the program counter in the Am2910 is used. Here, the control logic simply selects the PC input of the next address multiplexer. In addition, most of these instructions enable the three-state outputs of the Am29774/75 pipeline register associated with the branch address field, which allows the register within the Am2910 to be loaded. The 5 x 12 stack in the Am2910 is used for looping and subrouting in microprogram operations. Up to five levels of subroutines or loops can be nested. Also, loops and subroutines can be intermixed as long as the five word depth of the stack is not exceeded.

The expansion scheme for increasing the depth of Am29774/75's is shown in Figure 2. Note that no speed degradation results when devices are cascaded. This is because the decode of the Am74S139 is in parallel with the PROM access time.

In order to provide an overall view of a typical Am2900 Bipolar Microprocessor, the block diagram of Figure 3 is presented. Here, the computer control unit (CCU) using the Am2910 and Am29774/75 registered PROM's is depicted. In addition, the typical connection scheme for the Am2903 Bipolar Microprocessor slices is shown. The four Am2903 devices in the block diagram form a typical 16-bit architecture. Also shown in Figure 3 is the general connection for the Am2914 Priority Interrupt Controller and the Am2920 as a Memory Address Register.

The block diagram also shows the Am2917 as the bus interface unit. Note that the Am2917 can interface directly with a data bus and the drive levels and receive levels are such that the instruction register can be built using standard Low-Power Schottky devices. This is possible because the receiver threshold on the Am2917 is designed identically to the thresholds on standard power Schottky and the Low-Power Schottky devices.

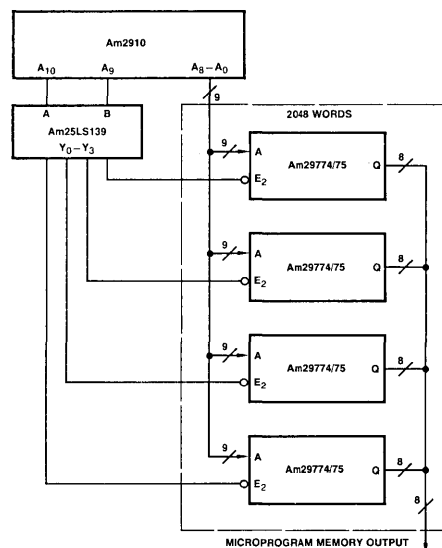


Figure 2. Word Expansion Scheme for the Am29774 and Am29775.

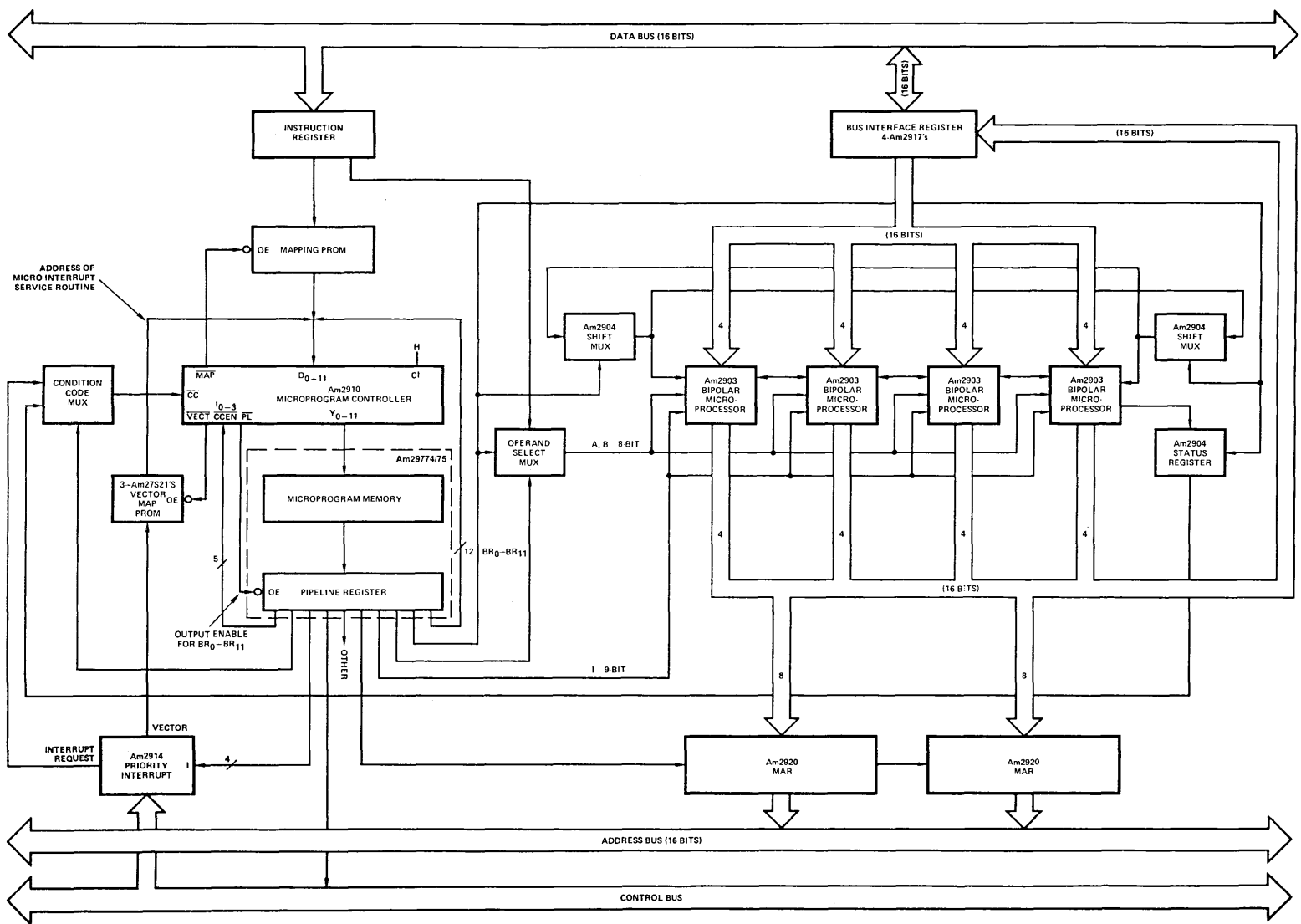
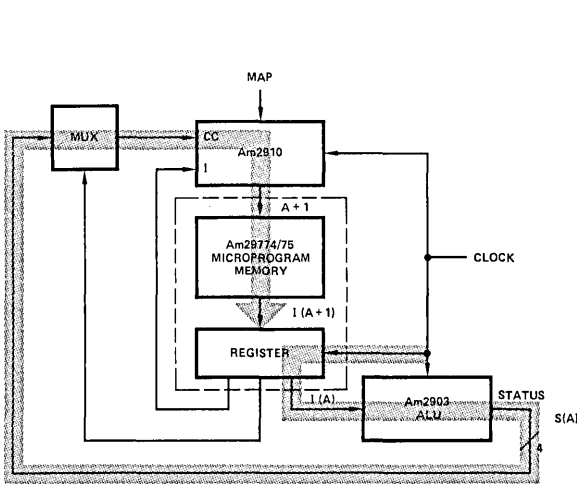
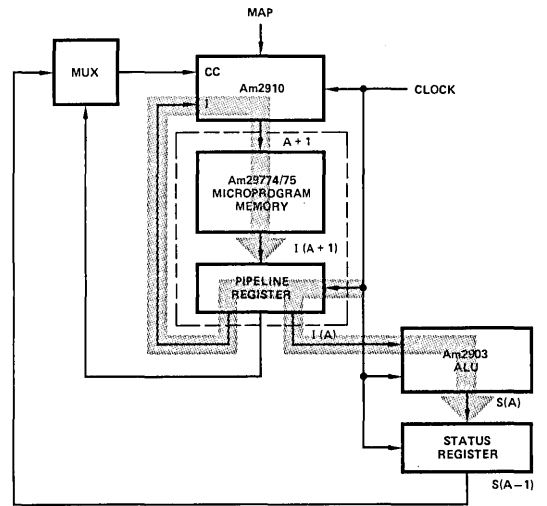


Figure 3. Typical Bipolar Microcomputer using the Am29774/75.

USING THE Am29774/75 IN A PIPELINED ARCHITECTURE



A Register at the Microprogram Memory output contains the microinstruction being executed. The microprogram memory and Am2903 delay are in series. Conditional branches are executed on same cycle as the ALU operation generating the condition.



One level pipeline provides better speed than the architecture to the left. The Microprogram Memory and the Am2903 array are in parallel speed paths instead of in series. This is the recommended architecture for Am2900 designs. Note that the Am29774/75 reduces the parts count of the microprogram memory/pipeline by a factor of two.

MPR-307

MPR-308

ORDERING INFORMATION

Order the part number according to the table below to obtain the desired package, temperature range, and screening level.

| Open Collector Order Number | Three-State Order Number | Package Type (Note 1) | Temperature Range (Note 2) | Screening Level (Note 3) |
|-----------------------------|--------------------------|-----------------------|----------------------------|--------------------------|
| AM29774DC | AM29775DC | D-22 | C | C-1 |
| AM29774DC-B | AM29775DC-B | D-22 | C | B-1 |
| AM29774DM | AM29775DM | D-22 | M | C-3 |
| AM29774DM-B | AM29775DM-B | D-22 | M | B-3 |
| AM29774DM | AM29775FM | F-22 | M | C-3 |
| AM29774FM-B | AM29775FM-B | F-22 | M | B-3 |

- Notes: 1. P = Molded DIP, D = Hermetic DIP, F = Flat Pak. Number following letter is number of leads. See Appendix B for detailed outline. Where Appendix B contains several dash numbers, any of the variations of the package may be used unless otherwise specified.
 2. C = 0°C to +70°C, M = -55°C to +125°C.
 3. See Appendix A for details of screening. Levels C-1 and C-3 conform to MIL-STD-883, Class C. Level B-3 conforms to MIL-STD-883, Class B.

Am29803A

16-Way Branch Control Unit

DISTINCTIVE CHARACTERISTICS

- 16 separate instructions — 2, 4, 8, or 16-way branch in one microprogram execution cycle
- Four individual test inputs
- Four individual outputs for driving the four OR inputs on the Am2909 Microprogram Sequencer
- Provides maximum branch capability in a microprogram control unit using the Am2909
- Advanced Low-Power Schottky processing
- 100% reliability assurance testing in compliance with MIL-STD-883

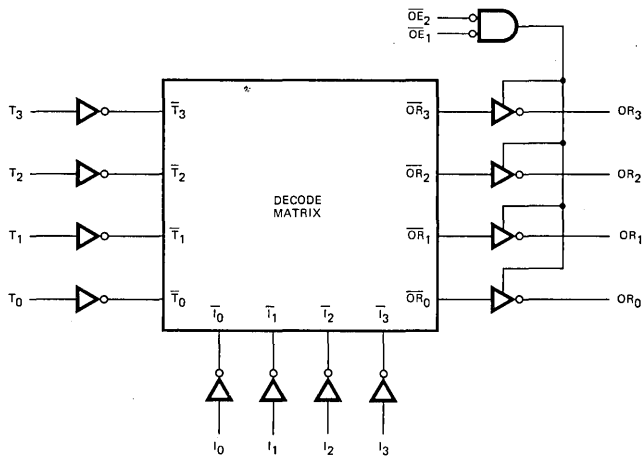
FUNCTIONAL DESCRIPTION

The Am29803A is a Low-Power Schottky processed device that provides 16-way branch control when used in conjunction with the Am2909 Microprogram Sequencer.

The device features 16 instructions that provide all combinations of simultaneous testing of four different inputs. The device has four outputs that are used to drive the four OR inputs of the Am2909 Microprogram Sequencer.

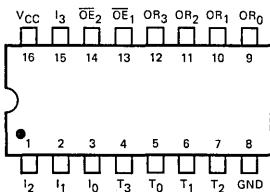
The "zero" instruction inhibits the testing of any of the four test (T) inputs. The remaining 15 instructions are used to test combinations of 1, 2, 3, or 4 of the T inputs simultaneously. If one T input is being tested, the Am29803A will select one of two possible addresses. If two T inputs are being tested, the device will select one of four possible addresses. If three T inputs are being tested, the device will select one of eight possible addresses. If all four T inputs are being tested, the device will select one of sixteen addresses as the field used to drive the OR inputs of the Am2909.

LOGIC DIAGRAM



MPR-309

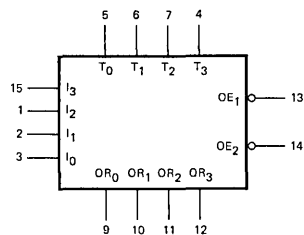
CONNECTION DIAGRAM Top View



Note: Pin 1 is marked for orientation.

MPR-310

LOGIC SYMBOL



VCC = Pin 16
GND = Pin 8

MPR-311

MAXIMUM RATINGS (Above which the useful life may be impaired)

| | |
|---|--------------------------------|
| Storage Temperature | -65°C to +150°C |
| Temperature (Ambient) Under Bias | -55°C to +125°C |
| Supply Voltage to Ground Potential (Pin 16 to Pin 8) Continuous | -0.5V to +7.0V |
| DC Voltage Applied to Outputs | -0.5V to +V _{CC} max. |
| DC Input Voltage | -0.5V to +5.5V |
| DC Input Current | -30mA to +5mA |

OPERATING RANGE

| | | | |
|-------|------------|----------------------------------|-----------------------------|
| COM'L | Am29803ADC | T _A = 0°C to +75°C | V _{CC} = 5.0V ±5% |
| MIL | Am29803ADM | T _A = -55°C to +125°C | V _{CC} = 5.0V ±10% |

ELECTRICAL CHARACTERISTICS OVER OPERATING RANGE (Unless Otherwise Noted)
PRELIMINARY DATA

| Parameters | Description | Test Conditions | Min. | Typ. (Note 1) | Max. | Units |
|------------------|------------------------------|--|------|------------------|--------|-------|
| V _{OH} | Output HIGH Voltage | V _{CC} = MIN., I _{OH} = -2.0mA V _{IN} = V _{IH} or V _{IL} | 2.4 | | | Volts |
| V _{OL} | Output LOW Voltage | V _{CC} = MIN., I _{OL} = 16mA V _{IN} = V _{IH} or V _{IL} | | | 0.45 | Volts |
| V _{IH} | Input HIGH Level | Guaranteed input logical HIGH voltage for all inputs | 2.0 | | | Volts |
| V _{IL} | Input LOW Level | Guaranteed input logical LOW voltage for all inputs | | | 0.8 | Volts |
| I _{IL} | Input LOW Current | V _{CC} = MAX., V _{IN} = 0.45V | | -0.010 | -0.250 | mA |
| I _{IH} | Input HIGH Current | V _{CC} = MAX., V _{IN} = 2.7V | | | 25 | μA |
| I _I | Input HIGH Current | V _{CC} = MAX., V _{IN} = 5.5V | | | 1.0 | mA |
| I _{SC} | Output Short Circuit Current | V _{CC} = MAX., V _{OUT} = 0.0V (Note 2) | -20 | -40 | -90 | mA |
| I _{CC} | Power Supply Current | All inputs = GND V _{CC} = MAX. | | 95 | 130 | mA |
| V _I | Input Clamp Voltage | V _{CC} = MIN., I _{IN} = -18mA | | | -1.2 | Volts |
| I _{CEX} | Output Leakage Current | V _{CC} = MAX. V _{CS1} = 2.4V | | | 40 | μA |
| | | V _O = 4.5V | | | 40 | |
| | | V _O = 0.4V | | | -40 | |
| C _{IN} | Input Capacitance | V _{IN} = 2.0V @ f = 1 MHz (Note 3) | | 4 | | pF |
| C _{OUT} | Output Capacitance | V _{OUT} = 2.0V @ f = 1 MHz (Note 3) | | 8 | | |

Note 1. Typical limits are at V_{CC} = 5.0V and T_A = 25°C

2. Not more than one output should be shorted at a time. Duration of the short circuit should not be more than one second.

3. These parameters are not 100% tested, but are periodically sampled.

Am29803A

SWITCHING CHARACTERISTICS

($T_A = +25^\circ\text{C}$, $V_{CC} = 5.0\text{V}$)

| Parameters | Description | Test Conditions | Min. | Typ. | Max. | Units |
|------------|-----------------------------|---|------|------|------|-------|
| t_{PLH} | I_i to OR_i | $C_L = 15\text{pF}$ $R_L = 2.0\text{k}\Omega$ | | 25 | 35 | ns |
| t_{PHL} | | | | | | |
| t_{PLH} | T_i to OR_i | | | 25 | 35 | ns |
| t_{PHL} | | | | | | |
| t_{ZH} | \overline{OE}_i to OR_i | $C_L = 5.0\text{pF}$ $R_L = 2.0\text{k}\Omega$ | | 15 | 18 | ns |
| t_{ZL} | | | | | | |
| t_{HZ} | \overline{OE}_i to OR_i | | | 15 | 18 | ns |
| t_{LZ} | | | | | | |

SWITCHING CHARACTERISTICS OVER OPERATING RANGE

| Parameters | Description | Test Conditions | COM'L | | MIL | | Units |
|------------|-----------------------------|--|--|------|--|------|-------|
| | | | Min. | Max. | Min. | Max. | |
| t_{PLH} | I_i to OR_i | $C_L = 15\text{pF}$ $R_L = 2.0\text{k}\Omega$ | $T_A = 0^\circ\text{C}$ to $+70^\circ\text{C}$ $V_{CC} = 5.0\text{V} \pm 5\%$ | | $T_A = -55^\circ\text{C}$ to $+125^\circ\text{C}$ $V_{CC} = 5.0\text{V} \pm 10\%$ | | |
| t_{PHL} | | | | 45 | | 60 | ns |
| t_{PLH} | T_i to OR_i | | | 45 | | 60 | ns |
| t_{PHL} | | | | | | | |
| t_{ZH} | \overline{OE}_i to OR_i | | | 30 | | 30 | ns |
| t_{ZL} | | | | | | | |
| t_{HZ} | \overline{OE}_i to OR_i | | 20 | | 20 | ns | |
| t_{LZ} | | | | | | | |

DEFINITION OF FUNCTIONAL TERMS

I_0, I_1, I_2, I_3 The four instruction inputs to the device

T_0, T_1, T_2, T_3 The four test inputs for the device

OR_0, OR_1, OR_2, OR_3 The four outputs of the device that are connected to the four OR inputs of the Am2909

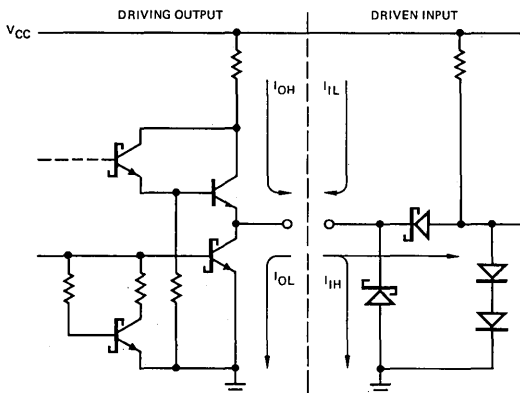
$\overline{OE}_1, \overline{OE}_2$ Output Enable. When either \overline{OE} input is HIGH, the OR_i outputs are in the high impedance state. When both the \overline{OE}_1 and \overline{OE}_2 inputs are LOW, the OR outputs are enabled and the selected data will be present.

GUARANTEED LOADING RULES OVER OPERATING RANGE (In Unit Loads)

A Low-Power Schottky TTL Unit Load is defined as 20 μA measured at 2.7V HIGH and -0.36mA measured at 0.4V LOW.

| Pin No.'s | Input/Output | Input Load | Output LOW | | |
|-----------|-------------------|------------|------------|-----|-------|
| | | | HIGH | MIL | COM'L |
| 1 | I_2 | 0.5 | - | - | - |
| 2 | I_1 | 0.5 | - | - | - |
| 3 | I_0 | 0.5 | - | - | - |
| 4 | T_3 | 0.5 | - | - | - |
| 5 | T_0 | 0.5 | - | - | - |
| 6 | T_1 | 0.5 | - | - | - |
| 7 | T_2 | 0.5 | - | - | - |
| 8 | GND | - | - | - | - |
| 9 | OR_0 | - | 100 | 44 | 44 |
| 10 | OR_1 | - | 100 | 44 | 44 |
| 11 | OR_2 | - | 100 | 44 | 44 |
| 12 | OR_3 | - | 100 | 44 | 44 |
| 13 | \overline{OE}_1 | 0.5 | - | - | - |
| 14 | \overline{OE}_2 | 0.5 | - | - | - |
| 15 | I_3 | 0.5 | - | - | - |
| 16 | V_{CC} | - | - | - | - |

LOW-POWER SCHOTTKY INPUT/OUTPUT CURRENT INTERFACE CONDITIONS



Note: Actual current flow direction shown.

MPR-312

FUNCTION TABLE

| Function | I ₃ | I ₂ | I ₁ | I ₀ | T ₃ | T ₂ | T ₁ | T ₀ | OR ₃ | OR ₂ | OR ₁ | OR ₀ |
|--|----------------|----------------|----------------|----------------|----------------|----------------|----------------|----------------|-----------------|-----------------|-----------------|-----------------|
| No Test | L | L | L | L | X | X | X | X | L | L | L | L |
| Test T ₀ | L | L | L | H | X | X | X | L | L | L | L | L |
| Test T ₁ | L | L | H | L | X | X | L | X | L | L | L | L |
| Test T ₀ & T ₁ | L | L | H | H | X | X | L | L | L | L | L | L |
| Test T ₂ | L | H | L | L | X | L | X | X | L | L | L | L |
| Test T ₀ & T ₂ | L | H | L | H | X | L | X | L | L | L | L | L |
| Test T ₁ & T ₂ | L | H | H | L | X | L | L | X | L | L | L | L |
| Test T ₀ , T ₁ & T ₂ | L | H | H | H | X | L | L | L | L | L | L | L |
| Test T ₃ | H | L | L | L | L | X | X | X | L | L | L | L |
| Test T ₀ & T ₃ | H | L | L | H | L | X | X | L | L | L | L | L |
| Test T ₁ & T ₃ | H | L | H | L | L | X | L | X | L | L | L | L |
| Test T ₀ , T ₁ & T ₃ | H | L | H | H | L | X | L | L | L | L | L | L |
| Test T ₂ & T ₃ | H | H | L | L | L | L | X | X | L | L | L | L |
| Test T ₀ , T ₂ & T ₃ | H | H | L | H | L | L | X | L | L | L | L | L |
| Test T ₁ , T ₂ & T ₃ | H | H | H | L | L | L | L | X | L | L | L | L |
| Test T ₀ , T ₁ , T ₂ & T ₃ | H | H | H | H | L | L | L | L | L | L | L | L |

L = LOW, H = HIGH, X = Don't care

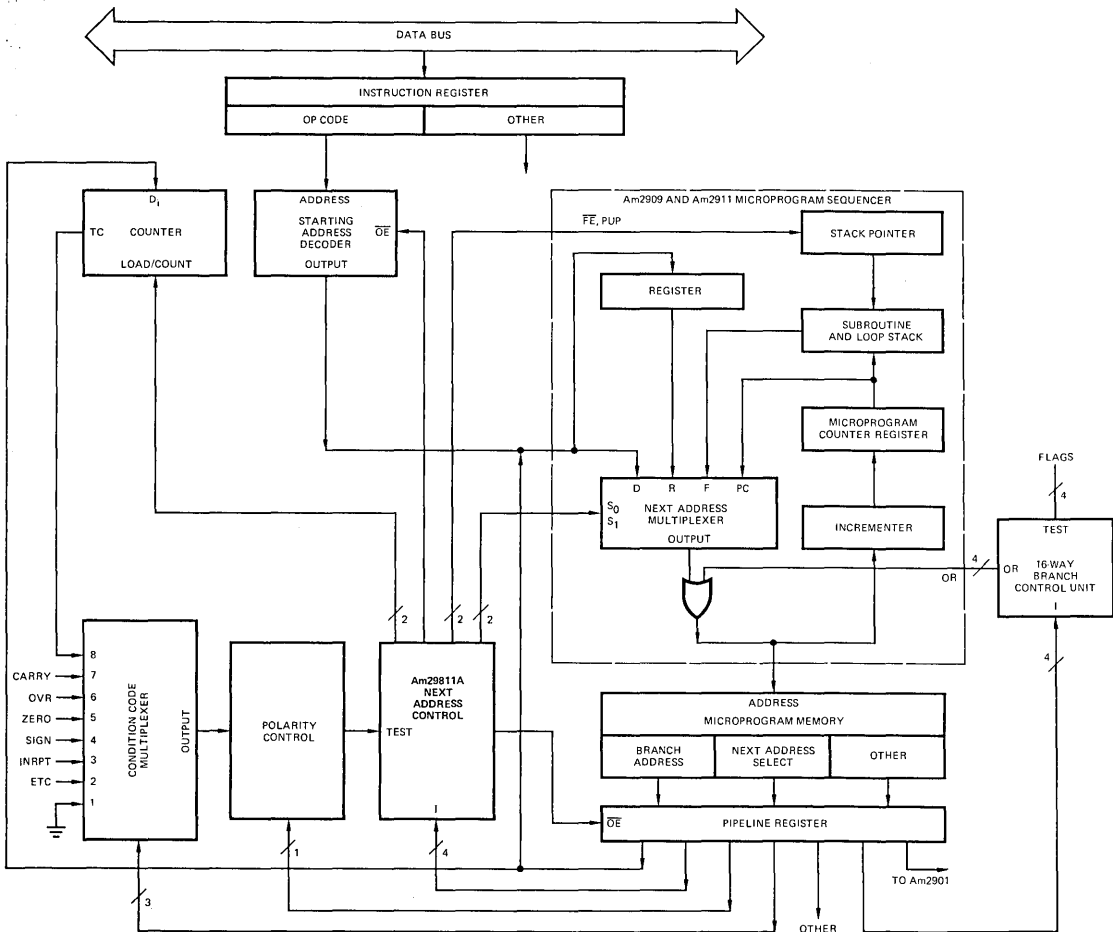
ORDERING INFORMATION

Order the part number according to the table below to obtain the desired package, temperature range, and screening level.

| Order Number | Package Type (Note 1) | Temperature Range (Note 2) | Screening Level (Note 3) |
|--------------|-----------------------|----------------------------|--------------------------|
| AM29803APC | P-16 | C | C-1 |
| AM29803ADC | D-16 | C | C-1 |
| AM29803ADC-B | D-16 | C | B-1 |
| AM29803ADM | D-16 | M | C-3 |
| AM29803ADM-B | D-16 | M | B-3 |
| AM29803AFM | F-16 | M | C-3 |
| AM29803AFM-B | F-16 | M | B-3 |

- Notes: 1. P = Molded DIP, D = Hermetic DIP, F = Flat Pak. Number following letter is number of leads. See Appendix B for detailed outline. Where Appendix B contains several dash numbers, any of the variations of the package may be used unless otherwise specified.
 2. C = 0°C to +70°C, M = -55°C to +125°C.
 3. See Appendix A for details of screening. Levels C-1 and C-3 conform to MIL-STD-883, Class C. Level B-3 conforms to MIL-STD-883, Class B.

APPLICATION



A typical computer control unit using the Am2909, Am2911, Am29803A and Am29811A. Note that the least significant microprogram sequencer is an Am2909 and the more significant sequencers are Am2911's.

Am29811A

Next Address Control Unit

DISTINCTIVE CHARACTERISTICS

- Next address control unit for the Am2911 Microprogram Sequencer
- 16 next address instructions
- Test input for conditional instructions
- Separate outputs to control the Am2911, an independent event counter, and a mapping PROM/branch address interface
- Advanced Low-Power Schottky technology
- 100% reliability assurance testing in compliance with MIL-STD-883

FUNCTIONAL CHARACTERISTICS

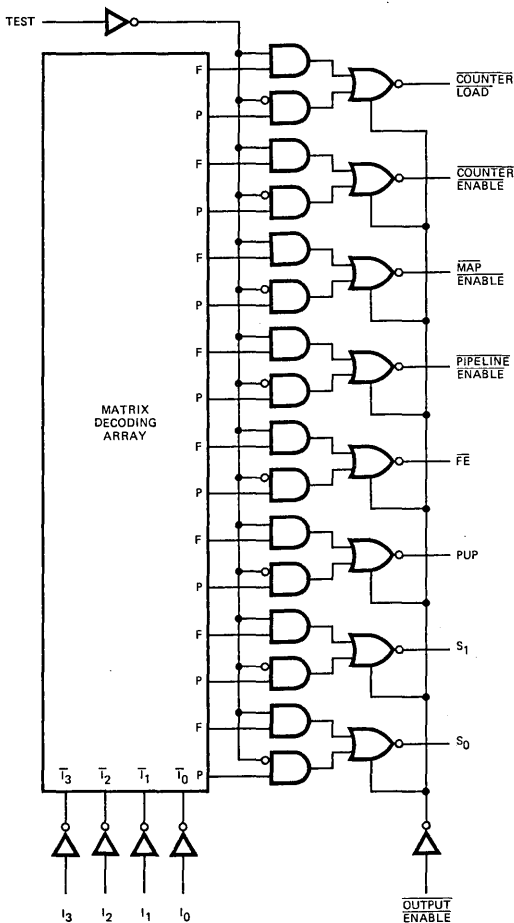
The Am29811A is a Low-Power Schottky device designed specifically for next address control of the Am2911 Microprogram Sequencer. The device contains all outputs required to control a high-performance computer control unit or a structured state machine design using microprogramming techniques.

Sixteen instructions are available by using a four-bit instruction field I_{0-3} . In addition, a test input is available such that conditional instructions can be performed based on a condition code test input.

The full instruction set consists of such functions as conditional jumps, conditional jump-to-subroutine, conditional return-from-subroutine, conditional repeat loops, conditional branch to starting address, and so forth.

One Am29811A can be used to control any number of Am2911 Microprogram Sequencers. The Am2911 Sequencer is a four-bit slice itself. Thus, one Am29811A Next Address Control Unit and three Am2911 Microprogram Sequencers can be used to build the most powerful, state-of-the-art, microprogram sequencer capable of controlling 4k words of microprogram memory.

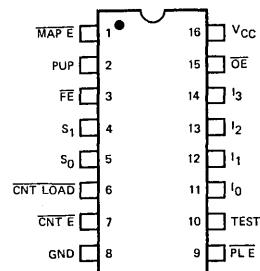
LOGIC DIAGRAM



P = Pass
F = Fail

MPR-314

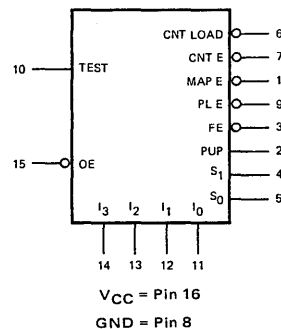
CONNECTION DIAGRAM Top View



Note: Pin 1 is marked for orientation.

MPR-315

LOGIC SYMBOL



MPR-316

Am29811A

MAXIMUM RATINGS (Above which the useful life may be impaired)

| | |
|---|--------------------------------|
| Storage Temperature | -65°C to +150°C |
| Temperature (Ambient) Under Bias | -55°C to +125°C |
| Supply Voltage to Ground Potential (Pin 16 to Pin 8) Continuous | -0.5V to +7.0V |
| DC Voltage Applied to Outputs | -0.5V to +V _{CC} max. |
| DC Input Voltage | -0.5V to +5.5V |
| DC Input Current | -30mA to +5mA |

OPERATING RANGE

| | | | |
|-------|------------|----------------------------------|-----------------------------|
| COM'L | Am29811ADC | T _A = 0°C to +75°C | V _{CC} = 5.0V ±5% |
| MIL | Am29811ADM | T _A = -55°C to +125°C | V _{CC} = 5.0V ±10% |

ELECTRICAL CHARACTERISTICS OVER OPERATING RANGE (Unless Otherwise Noted) PRELIMINARY DATA

| Parameters | Description | Test Conditions | Min. | Typ. (Note 1) | Max. | Units |
|------------------|------------------------------|--|------|------------------|--------|-------|
| V _{OH} | Output HIGH Voltage | V _{CC} = MIN., I _{OH} = -2.0mA V _{IN} = V _{IH} or V _{IL} | 2.4 | | | Volts |
| V _{OL} | Output LOW Voltage | V _{CC} = MIN., I _{OL} = 16mA V _{IN} = V _{IH} or V _{IL} | | | 0.45 | Volts |
| V _{IH} | Input HIGH Level | Guaranteed input logical HIGH voltage for all inputs | 2.0 | | | Volts |
| V _{IL} | Input LOW Level | Guaranteed input logical LOW voltage for all inputs | | | 0.8 | Volts |
| I _{IL} | Input LOW Current | V _{CC} = MAX., V _{IN} = 0.45V | | -0.010 | -0.250 | mA |
| I _{IH} | Input HIGH Current | V _{CC} = MAX., V _{IN} = 2.7V | | | 25 | μA |
| I _I | Input HIGH Current | V _{CC} = MAX., V _{IN} = 5.5V | | | 1.0 | mA |
| I _{SC} | Output Short Circuit Current | V _{CC} = MAX., V _{OUT} = 0.0V (Note 2) | -20 | -40 | -90 | mA |
| I _{CC} | Power Supply Current | All inputs = GND V _{CC} = MAX. | | 90 | 115 | mA |
| V _I | Input Clamp Voltage | V _{CC} = MIN., I _{IN} = -18mA | | | -1.2 | Volts |
| I _{CEX} | Output Leakage Current | V _{CC} = MAX. V _{CS} = 2.4V | | | 40 | μA |
| | | | | | 40 | |
| | | | | | -40 | |
| C _{IN} | Input Capacitance | V _{IN} = 2.0V @ f = 1 MHz (Note 3) | | 4 | | pF |
| C _{OUT} | Output Capacitance | V _{OUT} = 2.0V @ f = 1 MHz (Note 3) | | 8 | | |

Notes: 1. Typical limits are at V_{CC} = 5.0V and T_A = 25°C.

2. Not more than one output should be shorted at a time. Duration of the short circuit should not be more than one second.

3. These parameters are not 100% tested, but periodically sampled.

SWITCHING CHARACTERISTICS

(T_A = +25°C, V_{CC} = 5.0V)

| Parameters | Description | Test Conditions | Min. | Typ. | Max. | Units |
|------------------|-------------------------------|--|------|------|------|-------|
| t _{PLH} | I _i to Any Output | C _L = 15pF R _L = 2.0kΩ | | 25 | 35 | ns |
| t _{PHL} | | | | | | |
| t _{PLH} | Test to Any Output | | | 25 | 35 | ns |
| t _{PHL} | | | | | | |
| t _{ZH} | \overline{OE} to Any Output | C _L = 5.0pF R _L = 2.0kΩ | | 15 | 20 | ns |
| t _{ZL} | | | | | | |
| t _{HZ} | \overline{OE} to Any Output | | | 15 | 20 | ns |
| t _{LZ} | | | | | | |

SWITCHING CHARACTERISTICS
OVER OPERATING RANGE

| Parameters | Description | Test Conditions | COM'L | | MIL | | Units |
|------------------|-------------------------------|---|-------|------|------|------|-------|
| | | | Min. | Max. | Min. | Max. | |
| t _{PLH} | I _i to Any Output | C _L = 15pF R _L = 2.0kΩ | | 40 | | 50 | ns |
| t _{PHL} | | | | | | | |
| t _{PLH} | Test to Any Output | | | 40 | | 50 | ns |
| t _{PHL} | | | | | | | |
| t _{ZH} | \overline{OE} to Any Output | | | 25 | | 30 | ns |
| t _{ZL} | | | | | | | |
| t _{HZ} | \overline{OE} to Any Output | | 25 | | 30 | ns | |
| t _{LZ} | | | | | | | |

DEFINITION OF FUNCTIONAL TERMS

I₀, I₁, I₂, I₃ The four instruction inputs to the Am29811A.

TEST The condition code input to the device. When the test input is LOW, the device assumes the test has failed. When the test input is HIGH, the device assumes the condition code required has been met; the test has passed.

Counter Load This output is used to drive the parallel load input of an Am25LS169 up/down counter.

Counter Enable This output is used to drive the counter enable input of an Am25LS169 up/down counter.

Map Enable This output is used to control the three-state outputs of the mapping PROM or PLA used to provide the initial starting address for each machine instruction.

Pipeline Enable

This output is used to control the three-state output of the pipeline register (Am2918) containing the branch address for the computer control unit.

FE File Enable

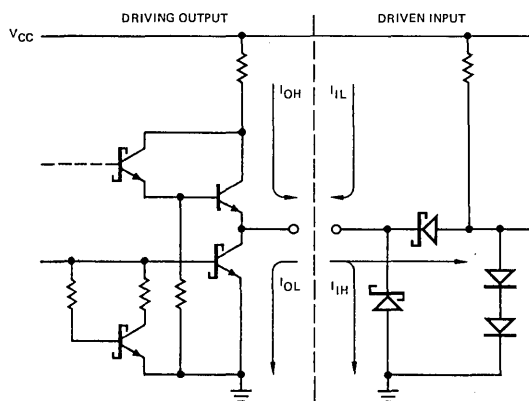
This output is used to drive the file enable input of the Am2911. When the file enable output is LOW, a stack operation will take place.

PUP

Push/Pop. The PUP output is used to drive the push/pop input of the Am2911 Microprogram Sequencer. When the PUP output is HIGH, a push will take place when the file is enabled. When the PUP output is LOW, a pop will take place when the file is enabled.

S₀, S₁

These two outputs are used to drive the S₀ and S₁ inputs to the Am2911 Microprogram Sequencer. These outputs control whether the direct input, the register, the microprogram counter, or the stack is selected as the source of the next address for the microprogram memory.

**LOW-POWER SCHOTTKY INPUT/OUTPUT
CURRENT INTERFACE CONDITIONS**


Note: Actual current flow direction shown.

MPR-317

**GUARANTEED LOADING RULES
OVER OPERATING RANGE (In Unit Loads)**

A Low-Power Schottky TTL Unit Load is defined as 20 μ A measured at 2.7V HIGH and -0.36mA measured at 0.4V LOW.

| Pin No.'s | Input/Output | Input Load | Output LOW | |
|-----------|----------------|------------|-------------|-----------|
| | | | Output HIGH | MIL COM'L |
| 1 | MAP E | - | 100 | 44 |
| 2 | PUP | - | 100 | 44 |
| 3 | FE | - | 100 | 44 |
| 4 | S ₁ | - | 100 | 44 |
| 5 | S ₀ | - | 100 | 44 |
| 6 | CNT LOAD | - | 100 | 44 |
| 7 | CNT E | - | 100 | 44 |
| 8 | GND | - | - | - |
| 9 | PL E | - | 100 | 44 |
| 10 | TEST | 0.5 | - | - |
| 11 | I ₀ | 0.5 | - | - |
| 12 | I ₁ | 0.5 | - | - |
| 13 | I ₂ | 0.5 | - | - |
| 14 | I ₃ | 0.5 | - | - |
| 15 | OE | - | 100 | 44 |
| 16 | VCC | - | - | - |

INSTRUCTION TABLE

| MNEMONIC | I ₃ | I ₂ | I ₁ | I ₀ | INSTRUCTION |
|----------|----------------|----------------|----------------|----------------|--|
| JZ | L | L | L | L | Jump to Address Zero |
| CJS | L | L | L | H | Conditional Jump-to-Subroutine with Jump Address in Pipeline Register. |
| JMAP | L | L | H | L | Jump to Address at Mapping PROM Output. |
| CJP | L | L | H | H | Conditional Jump to Address in Pipeline Register |
| PUSH | L | H | L | L | Push Stack and Conditionally Load Counter |
| JSRP | L | H | L | H | Jump-to-Subroutine with Starting Address Conditionally Selected from Am2911 R-Register or Pipeline Register. |
| CJV | L | H | H | L | Conditional Jump to Vector Address. |
| JRP | L | H | H | H | Jump to Address Conditionally Selected from Am2911 R-Register or Pipeline Register. |
| RFCT | H | L | L | L | Repeat Loop if Counter is not Equal to Zero. |
| RPCT | H | L | L | H | Repeat Pipeline Address if Counter is not Equal to Zero. |
| CRTN | H | L | H | L | Conditional Return-from-Subroutine. |
| CJPP | H | L | H | H | Conditional Jump to Pipeline Address and Pop Stack. |
| LDCT | H | H | L | L | Load Counter and Continue. |
| LOOP | H | H | L | H | Test End of Loop. |
| CONT | H | H | H | L | Continue to Next Address. |
| JP | H | H | H | H | Jump to Pipeline Register Address. |

FUNCTION TABLE

| MNEMONIC | INPUTS | | | | OUTPUTS | | | | | |
|----------|--|-----------------------|---------------|---------------------|---------|---------|-------|------|--|--|
| | INSTRUCTION I ₃ I ₂ I ₁ I ₀ | FUNCTION | TEST INPUT | NEXT ADDR SOURCE | FILE | COUNTER | MAP-E | PL-E | | |
| JZ | L L L L | JUMP ZERO | X | D | HOLD | LL* | H | L | | |
| CJS | L L L H | COND JSB PL | L | PC | HOLD | HOLD | H | L | | |
| | | | H | D | PUSH | HOLD | H | L | | |
| JMAP | L L H L | JUMP MAP | X | D | HOLD | HOLD | L | H | | |
| CJP | L L H H | COND JUMP PL | L | PC | HOLD | HOLD | H | L | | |
| | | | H | D | HOLD | HOLD | H | L | | |
| PUSH | L H L L | PUSH/COND LD CNTR | L | PC | PUSH | HOLD | H | L | | |
| | | | H | PC | PUSH | LOAD | H | L | | |
| JSRP | L H L H | COND JSB R/PL | L | R | PUSH | HOLD | H | L | | |
| | | | H | D | PUSH | HOLD | H | L | | |
| CJV | L H H L | COND JUMP VECTOR | L | PC | HOLD | HOLD | H | H | | |
| | | | H | D | HOLD | HOLD | H | H | | |
| JRP | L H H H | COND JUMP R/PL | L | R | HOLD | HOLD | H | L | | |
| | | | H | D | HOLD | HOLD | H | L | | |
| RFCT | H L L L | REPEAT LOOP, CNTR ≠ 0 | L | F | HOLD | DEC | H | L | | |
| | | | H | PC | POP | HOLD | H | L | | |
| RPCT | H L L H | REPEAT PL, CNTR ≠ 0 | L | D | HOLD | DEC | H | L | | |
| | | | H | PC | HOLD | HOLD | H | L | | |
| CRTN | H L H L | COND RTN | L | PC | HOLD | HOLD | H | L | | |
| | | | H | F | POP | HOLD | H | L | | |
| CJPP | H L H H | COND JUMP PL & POP | L | PC | HOLD | HOLD | H | L | | |
| | | | H | D | POP | HOLD | H | L | | |
| LDCT | H H L L | LOAD CNTR & CONTINUE | X | PC | HOLD | LOAD | H | L | | |
| LOOP | H H L H | TEST END LOOP | L | F | HOLD | HOLD | H | L | | |
| | | | H | PC | POP | HOLD | H | L | | |
| CONT | H H H L | CONTINUE | X | PC | HOLD | HOLD | H | L | | |
| JP | H H H H | JUMP PL | X | D | HOLD | HOLD | H | L | | |

L = LOW
H = HIGH
X = Don't Care

DEC = Decrement
*LL = Special Case

TRUTH TABLE

| MNEMONIC | FUNCTION | INPUTS | | | | | OUTPUTS | | | | | | | |
|----------|----------------------|----------------|----------------|----------------|----------------|------|---------------------|----------------|------|-----|---------|----|-------|------|
| | | I ₃ | I ₂ | I ₁ | I ₀ | TEST | NEXT ADDR SOURCE | | FILE | | COUNTER | | MAP-E | PL-E |
| | | | | | | | S ₁ | S ₀ | FE | PUP | LOAD | EN | | |
| PIN NO. | | 14 | 13 | 12 | 11 | 10 | 4 | 5 | 3 | 2 | 6 | 7 | 1 | 9 |
| JZ | JUMP ZERO | L | L | L | L | L | H | H | H | H | L | L | H | L |
| | | L | L | L | L | H | H | H | H | H | L | L | H | L |
| CJS | COND JSB PL | L | L | L | H | L | L | L | H | H | H | H | H | L |
| | | L | L | L | H | H | H | H | L | H | H | H | H | L |
| JMAP | JUMP MAP | L | L | H | L | L | H | H | H | H | H | H | L | H |
| CJP | COND JUMP PL | L | L | H | H | L | L | L | H | H | H | H | H | L |
| | | L | L | H | H | H | H | H | H | H | H | H | H | L |
| PUSH | PUSH/COND LD CNTR | L | H | L | L | L | L | L | L | H | H | H | H | L |
| | | L | H | L | L | H | L | L | L | H | L | H | H | L |
| JSRP | COND JSB R/PL | L | H | L | H | L | L | H | L | H | H | H | H | L |
| | | L | H | L | H | H | H | H | L | H | H | H | H | L |
| CJV | COND JUMP VECTOR | L | H | H | L | L | L | L | H | H | H | H | H | H |
| | | L | H | H | L | H | H | H | H | H | H | H | H | H |
| JRP | COND JUMP R/PL | L | H | H | H | L | L | H | H | H | H | H | H | L |
| | | L | H | H | H | H | H | H | H | H | H | H | H | L |
| RFCT | REPEAT LOOP, CTR ≠ 0 | H | L | L | L | L | H | L | H | L | H | L | H | L |
| | | H | L | L | L | H | L | L | L | L | H | H | H | L |
| RPCT | REPEAT PL, CTR ≠ 0 | H | L | L | H | L | H | H | H | H | H | L | H | L |
| | | H | L | L | H | H | L | L | H | H | H | H | H | L |
| CRTN | COND RTN | H | L | H | L | L | L | L | L | L | H | H | H | L |
| | | H | L | H | L | H | H | L | L | L | H | H | H | L |
| CJPP | COND JUMP PL & POP | H | L | H | H | L | L | L | H | L | H | H | H | L |
| | | H | L | H | H | H | H | H | L | L | H | H | H | L |
| LDCT | LD CNTR & CONTINUE | H | H | L | L | L | L | L | H | H | L | H | H | L |
| | | H | H | L | L | H | L | L | H | H | L | H | H | L |
| LOOP | TEST END LOOP | H | H | L | H | L | H | L | H | L | H | H | H | L |
| | | H | H | L | H | H | L | L | L | L | H | H | H | L |
| CONT | CONTINUE | H | H | H | L | L | L | L | H | H | H | H | H | L |
| | | H | H | H | L | H | L | L | H | H | H | H | H | L |
| JP | JUMP PL | H | H | H | H | L | H | H | H | H | H | H | H | L |
| | | H | H | H | H | H | H | H | H | H | H | H | H | L |

L = LOW
H = HIGH

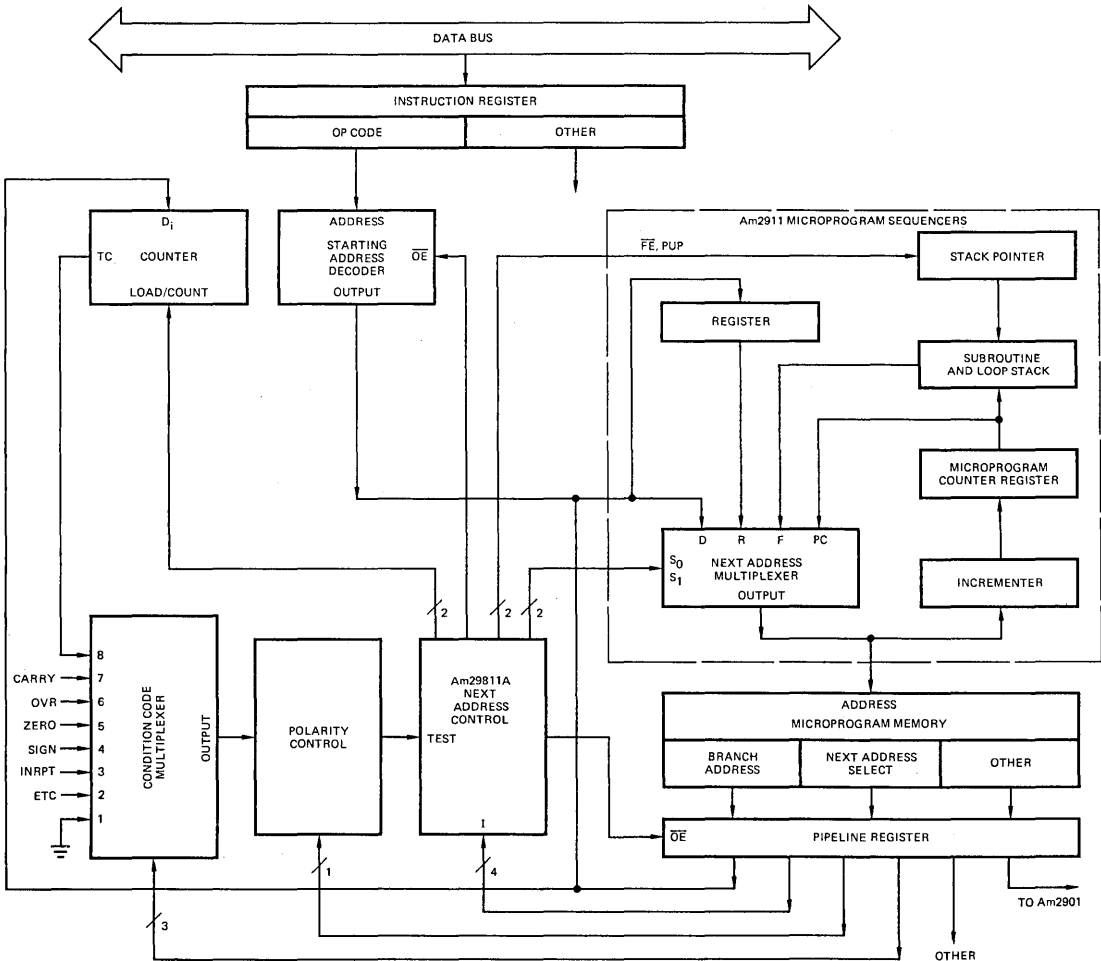
ORDERING INFORMATION

Order the part number according to the table below to obtain the desired package, temperature range, and screening level.

| Order Number | Package Type (Note 1) | Temperature Range (Note 2) | Screening Level (Note 3) |
|--------------|-----------------------|----------------------------|--------------------------|
| AM29811APC | P-16 | C | C-1 |
| AM29811ADC | D-16 | C | C-1 |
| AM29811ADC-B | D-16 | C | B-1 |
| AM29811ADM | D-16 | M | C-3 |
| AM29811ADM-B | D-16 | M | B-3 |
| AM29811AFM | F-16 | M | C-3 |
| AM29811AFM-B | F-16 | M | B-3 |

Notes: 1. P = Molded DIP, D = Hermetic DIP, F = Flat Pak. Number following letter is number of leads. See Appendix B for detailed outline. Where Appendix B contains several dash numbers, any of the variations of the package may be used unless otherwise specified.
 2. C = 0°C to +70°C, M = -55°C to +125°C.
 3. See Appendix A for details of screening. Levels C-1 and C-3 conform to MIL-STD-883, Class C. Level B-3 conforms to MIL-STD-883, Class B.

APPLICATION



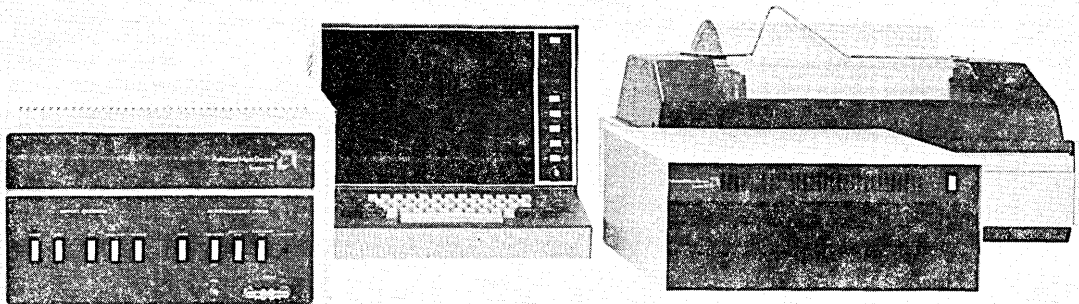
A Typical Computer Control Unit Using the Am2911 and Am29811A.

System 29

The Advanced Microprogram Development System

FEATURES

- **The first universal, complete development system for microprogrammed machines.**
Use to assemble microcode, debug microcode, check out hardware.
- **AMDASM™29 microassembler resident on system.**
Microprograms can be written, assembled, and loaded into the development hardware all on one system. No transferring from one system to another. No messy paper tape.
- **Software to check out microcode.**
All the tools needed in a useful development system including single step, trap, edit.
- **Writable Control Store up to 4K words.**
RAM in System 29 serves as control memory for prototype. Expandable up to 4K words, up to 128 bits each. Access time down to 50ns.
- **Application Cards Available.**
Pre-built prototype systems reduce design time, get products out sooner.
- **Universal Prototyping cards**
Use popular SBC-80 form factor and hold parts on 0.3", 0.4", and 0.6" centers.
- **Time proven disk operating system.**
Complete file management including a context editor.
- **8080 software development tools.**



System 29

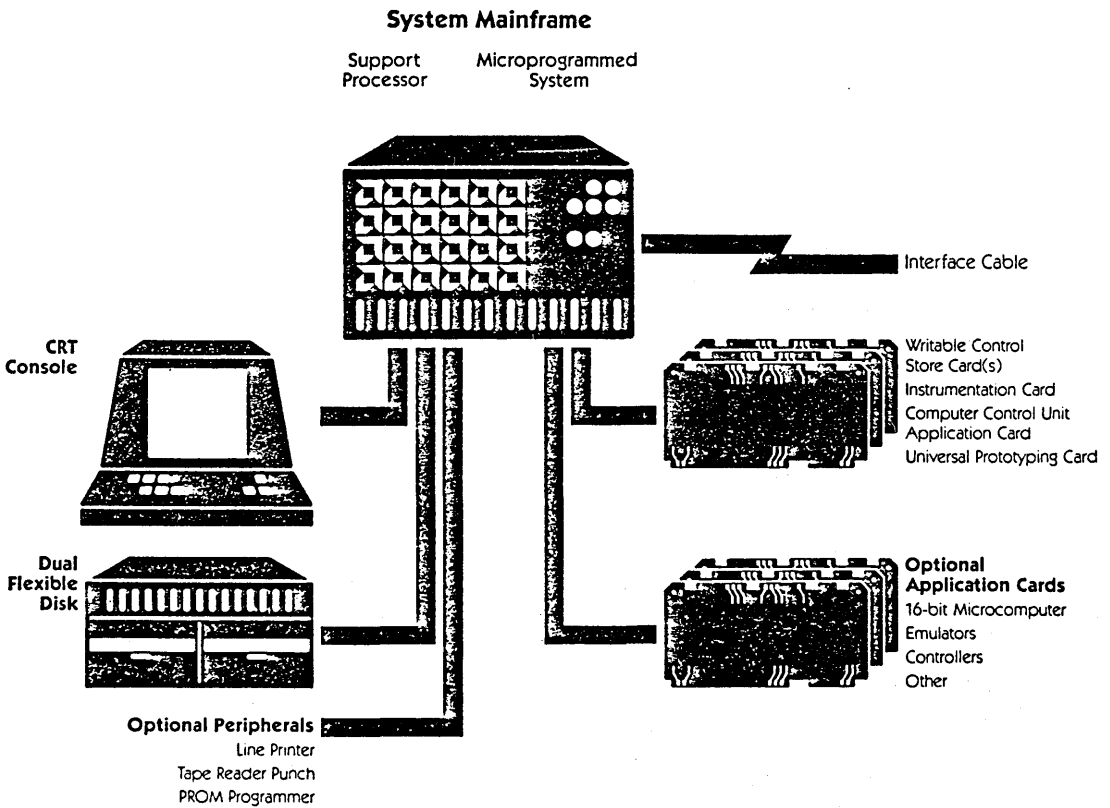
DESCRIPTION:

System 29 is a complete development system. It encompasses all the tools needed, from microcode/firmware definition, assembly, check-out of the hardware and formatting of the microcode, through programming PROM's.

System 29 includes a System Mainframe, CRT Console, and Dual-Drive Flexible Disk. It comes with a comprehensive software package. It is ready to operate in its basic configuration which includes 2K words by 64 bits Writeable Control Store and a Computer Control Unit (CCU) microprogram con-

troller. A number of peripherals (line printer, paper tape reader-punch, PROM programmer) and cards (high-speed Writeable Control Store, trace analyzer, 8080 emulator application card, 16-bit microcomputer application card) enhance its performance even further.

Because it is controlled by an Am9080A, it can also serve as a software development system for the 8080 fixed-instruction-set microprocessors.



SYSTEM DESCRIPTION

BASIC SYSTEM:

A complete working system including;

Equipment

- System Mainframe:
- Support Processor:
 - Am9080A CPU Card
 - System Memory Card, 32K bytes, expandable to 64K bytes with an additional card
 - 4 Serial Ports (RS232)
 - 1 Parallel Port
 - Power Supply
- Microprogrammed System:
 - 1 Writeable Control Store Card, 2K x 64 bits. System is pre-wired for 2.
 - 1 Instrumentation Card
 - 1 Computer Control Unit Application Card
 - 5 Open Slots for Additional User Cards
 - 1 Power Supply, +5V, 25A (50A Optional)
- CRT Console
- Dual Drive Flexible Disk
- Universal Prototyping Card
- Outboard Interface Cable
- Blank Diskettes (2)

Software

- AMDOS 29™ Disk Operating System with full set of commands
- Microprogram Generation Software
 - AMDASM 29™ Microprogram Assembler
 - AMSCRM 29™, AMPROM 29™ Post-Processing Programs
- Microprogram Support Software
- Am9080A Software (Assembler, Loader, Dynamic Debugger including disassembler and trace capability)

Documentation (2 sets)

- User Manual
- Software Manual
- Hardware Manual

Services

- User Training (2 Persons)
- Field Applications Support
- Warranty: 1 Year (90 days on System Mainframe Plug-in Cards)

SYSTEM OPTIONS¹*CARDS²**Option No.*

- 0100 *Universal Prototyping card*, additional to one included in the basic system.
- 0105 *Writable Control Store card*. 2K x 64 bits, additional to one included in the basic system. Field updatable.
- 0106 *High Speed Writable Control Store card*, 1K x 64 bits; system is pre-wired for 2. Field updatable.

PERIPHERALS

- 0500 *Line Printer*, 220 lines/minute. 132 columns.³ Field updatable. With stand.
- 0510 *Paper Tape Reader-Punch³*. 300cps read, 75cps punch.

SERVICES

- 0800 *Training Course*. System 29, for one additional person. Training for 2 persons included in the basic system.

MISCELLANEOUS

- 0900 *High Speed Extender card*, multilayer (internal ground plane)
- 0901 *Power Supply*, 50A Module. Field updatable
- 0902 *Diskettes*. Package of 10 blanks⁴.
- 0903 *System Manual*. One set of manuals, additional to 2 provided with the basic system.⁴

NOTES:

1. SY29XXXX – When coding orders, replace X's with 4 digit option number, leave blank for basic system. Example: SY290500 is code for the Line Printer option
2. Warranty 90 days, parts and labor.
3. Warranty 120 days, parts and labor.
4. Quantity 2 minimum when purchased separately.

SOFTWARE FEATURES

- The convenience of the AMDOS™ 29 Disk Operating System with a full set of file management commands, including an editor.
- Microprogram generation software including the AMDASM™ 29 micro-assembler and the AMSCRM™ 29 and AMPROM™ 29 post-processing programs.
- Microprogram support software to load, save, and debug microcode during the firmware/hardware check-out phase.
- Am9080A software to write special programs to add to the existing software or for separate designs using the Am9080A fixed-instruction-set micro-processor.

HARDWARE FEATURES

- Writable Control Store for microprogram memory and ROM simulation. Its storage capacity can be easily expanded and a high speed option permits real-time testing.
- Microcode check-out functions let the user interact freely with the microcode, i.e., display, modify, move, locate, store, and verify. The user can also single-step through instructions, set trap bits, set comparison values, and force address jumps for easy test and debug of the microcode and its associated hardware. These are combined hardware-software features which are accessible either at the CRT Console or the System Mainframe front panel.
- Universal Prototyping Cards feature high packing density. They accept the user prototype and plug right into System 29.
- The Outboard Interface cable interfaces System 29 to the user design for a form factor that calls for an outboard configuration.
- A number of application cards help the user in his microprogrammed system design.
- Developed microcode can be stored on flexible diskettes, printed out, punched on paper tape or used to drive a PROM programmer.
- Diskette to main memory data transfers are affected by direct memory access (DMA) without I/O port addressing. This results in high-speed data transfers.
- An internal 2.457MHz crystal-controlled clock oscillator is provided. An external connector is available for providing a different clock frequency from a signal generator or an external circuit to meet individual user requirements.

System 29

THE UNIQUE MICROPROCESSOR LAB FOR YOUR MICROPROGRAMMED DESIGNS

By John R. Mick and Robert Schopmeyer

INTRODUCTION

Designing high-speed, microprogrammed processors is a complex task made easier by the availability of powerful LSI building blocks like the Am2900 Family. The design task for microprogrammed machines is usually more difficult than that required for systems based on fixed instruction processors like the Am9080A. Because of the flexibility of the components, a wide variety of architectures are possible for the design of high-performance or special purpose processors. However, it is this flexibility that sometimes tends to complicate the design process because every design is different.

Since each design is different, hardware prototyping and microcode development tend to be an ad hoc process with little of the work expended on one design transferable to the next design. In many cases, the design engineer is forced to "haywire" his engineering model with some type of homebrew PROM simulator. Once the hardware is in place, the design engineer must interface this hardware with the microcode. Usually, the microcode has been written using a microprogram assembler that was modified from the last modification from the last program requiring a modified assembler. To summarize the problem: The microprogrammed microprocessor community does not currently have a good development system designed to meet the diversified requirements for

developing microprogrammed systems regardless of their architectures.

"System 29", the Advanced Microprogramming Development System, is Advanced Micro Devices' response to this need. This system will make it easier to design with the Am2900 family by providing the necessary hardware and software to develop microprogrammed systems.

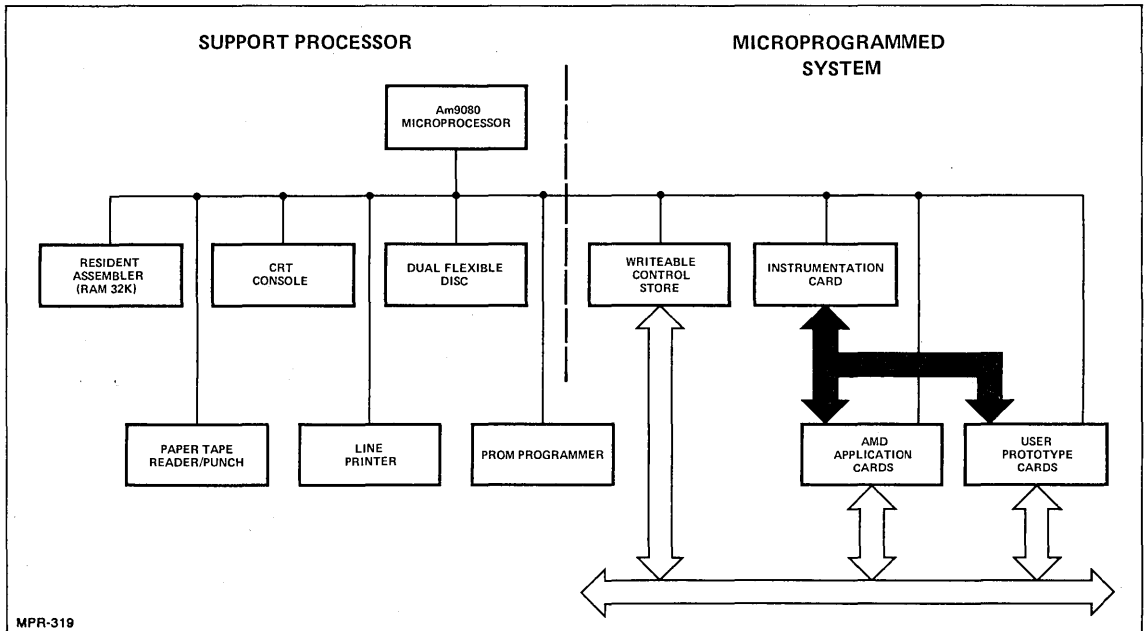
GENERAL DESCRIPTION

System 29 is a complete microprogrammed system development lab which can be used to develop hardware and firmware designs and then used to check out the prototype system.

As shown in Figure 1, System 29 consists of a Support Processor configured and programmed to support a Microprogrammed System. This system provides the design engineer with the following facilities:

- An interactive editing system for building microcode definition and source files
- A microprogram assembler, AMDASM™/29 for assembling microcode
- A prototype check-out work station for debugging microprogrammed hardware designs

TM: Trademark applied for.



MPR-319

Figure 1. System 29 Architecture.

SYSTEM HARDWARE

System 29 (as shown in detail in Figure 2) is two separate systems in a single package – a Support Processor system and a Microprogrammed System. The Support Processor system is based on the Am9080A MOS Microprocessor and provides the user with an interface to the Microprogrammed System. The Support Processor system consists of:

- The Am9080A Microprocessor to provide system control
- A dual floppy disk to hold all operating software including AMDASM/29
- A memory board consisting of 32K bytes of RAM for use by the Am9080A processor
- A serial interface for communication to a CRT Console.
- Other interfaces: Serial RS-232 communication to a printer and to a high-speed paper tape (for outputting PROM tapes). An interface is also available to a PROM Programmer.
- The Page register for holding the active page number (194 pages of 32k Bytes each can exist in memory space 8000H to FFFFH, the active page is determined by the Page register)

The Microprogrammed System consists of:

- **Writeable Control Store (WCS)** – The WCS is a 2K by 64-bit memory using low-cost 4K Static MOS RAMs (Am9130's 250nsec access). This writeable is intended for users either using slow PROM or for users using fast PROM in their final designs but wanting to verify their microprograms at a reduced system speed. A future WCS will be a 1K by 64-bit, 50ns access memory using fast (30ns access) Bipolar RAMs. This memory is designed for users wanting to simulate as close as possible the operation of fast PROMs in their system. The system will be pre-wired to accept two WCS boards. These boards can be organized to provide microprogram memory space either 128 bits wide by 2K deep or 64 bits wide by 4K deep. This pre-wiring can be modified easily by the user to accommodate additional writeable control store memory boards as necessary.
- **Instrumentation** – This board provides the logic necessary for the Support Processor to directly control the Microprogrammed System and includes clock control and microprogram address trap and branch control. Specifically, the following functions are provided:

Clock Control – Stop, Single Step, Run, Trap on Breakpoint. Stop, Single Step, Run are under control both from the Support Processor software and the front panel. Trap on Breakpoint is under control only from the Support Processor software. A 12-bit number loaded into a register under software control is compared against the 12-bit address provided to address the writeable control store (or PROM) memory. When there is a match, the Microprogrammed System clock is stopped and an interrupt request is sent to the Support Processor.

Branch Control – Under software control, a branch address can be forced causing the Microprogrammed System microsequencer to start executing microcode from this location. This feature can be used to provide a starting address or to jump to a diagnostic microroutine when debugging microcode.

Monitoring – A future addition to the above features is an option to monitor a number of user-defined test points in real time. These test points will be saved in a RAM memory at the Microprogrammed System clock frequency (or some user-selectable fraction or multiple of the Microprogrammed System clock frequency) and when the Microprogrammed System clock is halted the last 256 sets of these test points can be displayed in a user-defined format on the system CRT.

- **Application Cards – The Computer Control Unit (CCU)** is one of the standard designs provided by AMD. It is discussed below in detail.

Additional AMD designs will be provided in the future across a broad spectrum of applications. They will include, for example, a 16-bit processor which will allow the user to add his own microcode, a disk controller, a microcontroller, and an Am9080 emulation. These designs are intended to serve several functions: The designer with a requirement close to the application aimed at by the particular design can use the AMD design as is or modify it to fit the application. The designer who wants to learn about Am2900 architectures can purchase one of the AMD provided designs and can write and check out his own microprograms (i.e., the fixed-instruction Am2900-based microprocessor allows the user to add instructions by writing additional firmware).

Universal Prototype Cards – A universal wire wrap card is provided on which to build prototype designs. This board will accommodate 0.3-, 0.4-, 0.6-, 0.7-, and 0.9-inch center I.C. sockets with excellent packing density.

The Computer Control Unit

Figure 3 illustrates the block diagram of the CCU. This unit is intended to illustrate a typical microprogrammed control unit. It is a pipelined microprogram sequencing unit designed to interface directly with System 29's Writeable Control Store. The function of this unit is as follows*.

The microprogram address is generated by Am2909/2911 Sequencers. As can be seen from Figure 3, these sequencers can select this address from several sources (i.e., from D, the external input; from R, and internal register; from the stack; or from the microprogram counter register which holds the last address sent to the microprogram memory incremented by one). The source to be used for the address is determined by the microinstruction which can select any of the above-mentioned inputs/registers as the address unconditionally or can conditionally select between two of these for microprogram branches. Table I defines the resultant address generated by this microprogram sequencer as a function of the microinstruction and the test condition. The condition to be tested using the test multiplexer is also specified by the microinstruction. This CCU uses the Am29811 Instruction Controller to generate the required controls.

In addition to selecting a particular source for the microprogram address, this sequencer can modify this value using the Am29803 16-way Branch Control tied to the "OR" inputs of the Am2909 holding the least significant four address bits. The modified address generated as a function of the microinstruction and the test inputs is listed on Table II.

*The CCU is essentially the same as the CCU described in AMD's Microprogramming Handbook, with a few changes (for one, the Mapping PROM is replaced with a mapping RAM loadable with System 29 software).

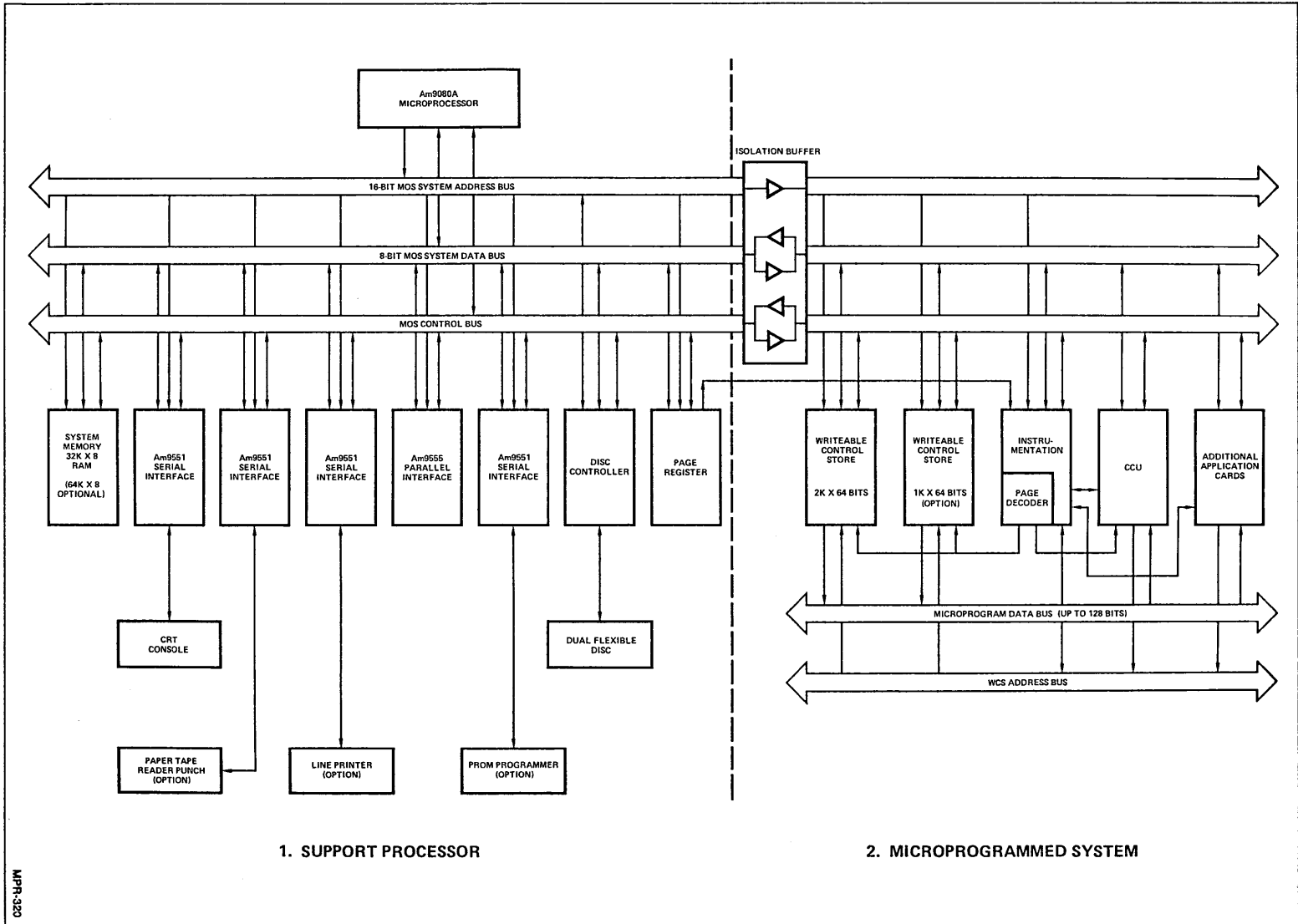


Figure 2. Detailed Block Diagram of System 29.

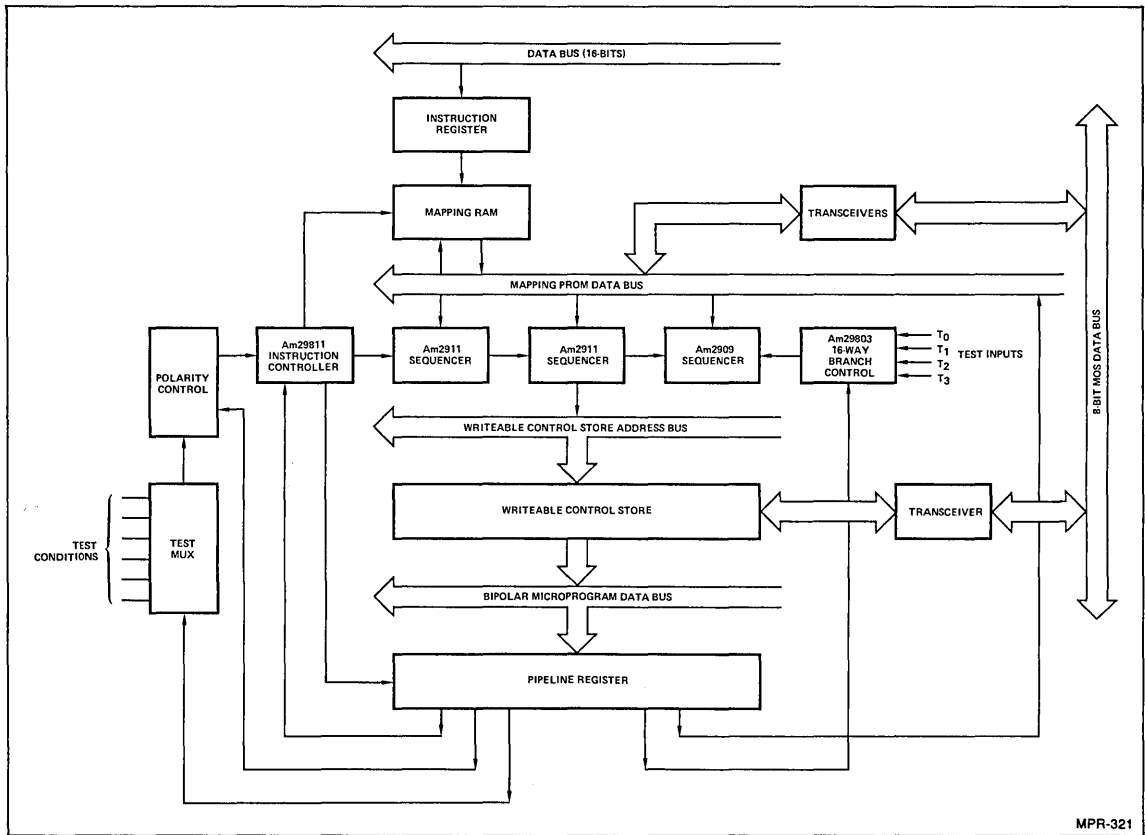


Figure 3. The Computer Control Unit Application Card.

| MICROINSTRUCTION | | |
|------------------|------------|--|
| Mnemonic | Bit Field* | Microinstruction and Resultant Address** |
| JZ | L L L L | Jump to Address Zero |
| CJS | L L L H | Conditional Jump-to-Subroutine with Jump Address in Pipeline Register. |
| JMAP | L L H L | Jump to Address at Mapping PROM Output. |
| CJP | L L H H | Conditional Jump to Address in Pipeline Register |
| PUSH | L H L L | Push Stack and Conditionally Load Counter |
| JSRP | L H L H | Jump-to-Subroutine with Starting Address Conditionally Selected from Am2911 R-Register or Pipeline Register. |
| CJV | L H H L | Conditional Jump to Vector Address. |
| JRP | L H H H | Jump to Address Conditionally Selected from Am2911 R-Register or Pipeline Register. |
| RFCT | H L L L | Repeat Loop if Counter is not Equal to Zero. |
| RPCT | H L L H | Repeat Pipeline Address if Counter is not Equal to Zero. |
| CRTN | H L H L | Conditional Return-from-Subroutine. |
| CJPP | H L H H | Conditional Jump to Pipeline Address and Pop Stack. |
| LDCT | H H L L | Load Counter and Continue. |
| LOOP | H H L H | Test End of Loop. |
| CONT | H H H L | Continue to Next Address. |
| JP | H H H H | Jump to Pipeline Register Address. |

Table 1. Computer Control Unit Instruction Set.

* L = Low, H = High

** Default address: μ PC (Microprogram Counter)+1

When the D input to the Am2909/2911 is selected, the mapping RAM can be selected for the next address. This mapping RAM replaces the mapping PROM normally found at this point in the design and provides a means to map a portion of the instruction register (op code) to a starting location in the microprogram. The contents of the mapping RAM can be read or written under control of the System 29 software. This feature provides a convenient means for users to change the macroinstruction decoding of their design by modifying the contents of this RAM.

SYSTEM SOFTWARE

The software system is divided into several distinct parts. These are:

- The basic I/O system
- The disk operating system
- The console command processor
- Transient programs

Basic I/O System and Disk Operating System

Perhaps the most flexible aspect of System 29 is that it comes complete with a full disk operating system designated AMDOS/29. This disk operating system provides rapid access to programs through a comprehensive file management package. The file subsystem supports a named file structure, allowing dynamic allocation of file space as well as sequential and random file access. This

system provides a number of program entries that allow files to be opened, closed, renamed, read, written onto disk, or searched for by name. Using this file system, a large number of distinct programs can be stored in both source and machine executable form. In addition, the disk operating system provides all operations necessary to access the diskette drives and to interface such standard peripherals as a teletype, CRT, paper tape reader/punch, PROM programmer, and other user-defined peripherals. While it is anticipated that the user will not want to modify the basic disk operating system package, the system can be tailored by the user for any particular microprogrammed hardware environment he may wish to implement by writing additional Am9080 load modules to execute under AMDOS 29.

Console Command

The console command processor reads inputs from the console device and processes these commands to provide listings of the file directory, printing the contents of various files, controlling the operations of various other standard programs supplied with AMDOS/29.

Transient Programs

The transient program area of System Memory holds programs which are loaded from the disk for execution by the system. A number of these transient programs (load modules) are provided along with the basic disk operating system. Typical of these are the programs to perform the following functions.

- **Assemble** – Loads an Am9080A assembler and assembles the specified program from the disk.
- **Status** – Provides statistical information about particular files on the disk.
- **Debugger** – Loads a debug package from the disk and allows the debugging of Am9080A programs.
- **Peripheral Interchange Program** – A program that allows media conversion operations between peripherals.
- **Editor** – Loads and executes a powerful Am9080A text editor program.
- **Batch** – Allows batch processing of various disk operating system commands.

In addition to these programs, a number of powerful microprogram generation aids are available. These include:

- **AMDASM/29™** – A two-pass microprogram assembler used to convert an established set of formats into machine language
- **AMPROM/29™** – A post-processing program that allows the user to output his binary object code in a form which corresponds with his PROM organization
- **AMSCRAM/29™** – A post-processing program that allows the user to reorganize the columns of microcode to be programmed in any PROM
- **AMMAP/29™** – The mapping PROM symbolic data assembler. Used with AMDASM, AMMAP generates microprogram entry point addresses that are loaded into the CCU mapping RAM to decode instructions and generate microprogram starting addresses.

Support Programs to the Microprogrammed System

Once the microcode has been assembled and loaded into the resident Writeable Control Store (or microprogram memory) in System 29, the user will desire the capability to set breakpoints, set trap bits, set comparison values, and so forth, so that he can easily test and debug the

microcode and its associated hardware. AMDOS/29 contains a powerful set of programs to allow the setting of traps as well as providing "peeking and poking" in microprogram memory. Examples of these commands are:

- Display** – Display the contents of memory on the console
- Move** – Move a block of data to one location from another location in memory
- Locate** – Locate a particular character sequence in memory
- Store** – Store hexadecimal data into memory
- Verify** – Compare two blocks of data in memory
- Set** – Sets microprogram format table attributes
- Jump** – Allows transferring control to any WCS memory location
- Read** – Read hex format paper tape
- Write** – Write hex format paper tape
- Page** – Select a particular page as the upper 32K of the Am9080A address space

The display, move, locate, store, read, and write commands will all operate upon any type of available memory; i.e., Support Processor memory or Microprogrammed System support pages (microprogram memory, Mapping PROM, instrumentation pages, etc.). Each of the commands will accept an operand which determines which page to select, should the command address the upper 32K address space.

USING SYSTEM 29

The following illustrates how System 29 is to be used during the development of microcode.

Definition Phase – After the logic design has been completed and the microcode format defined, the designer can start the microassembler definition phase. The definition phase essentially personalizes AMDASM/29 for a particular micro format. System 29 serves as an interactive keyboard terminal using the editor to build these definition files.

Assembler Phase – After the set of definitions has been created, the user can build his microcode source files using the interactive editor. Once the source file is complete, the user can assemble the microprogram using AMDASM/29. This assembly produces a binary representation of the microprogram. The output from the assembly can be listed in several different formats. When the assembly is complete, the binary file is routed to flexible disc storage for post processing.

Check-Out – Once the microcode is assembled and the system fabrication is completed, the next step is to debug the design errors, wiring errors and component failures. During this phase, System 29 serves as a check-out work station. Under control of the user, the binary microcode files can be loaded in the Writeable Control Store. During the actual check-out, System 29 provides these features to the user:

- Inspection and editing of the microcode in the writeable control stores
- Forced branches for microcode starting locations
- Microcode clock control to allow Run, Halt or Single Step of the microprogram
- Breakpoint stop (the breakpoint address or sequence of addresses are loaded from the keyboard)
- Generation and execution of trial sequences of microcode for hardware debug purposes; not necessarily a permanent part of the final machine microcode.

| Function | μInstruction | | | | Test Inputs | | | | μProgram Address Least Significant 4 Bits | | | |
|--|----------------|----------------|----------------|----------------|----------------|----------------|----------------|----------------|---|-----------------|-----------------|-----------------|
| | I ₃ | I ₂ | I ₁ | I ₀ | T ₃ | T ₂ | T ₁ | T ₀ | OR ₃ | OR ₂ | OR ₁ | OR ₀ |
| No Test | L | L | L | L | X | X | X | X | L | L | L | L |
| Test T ₀ | L | L | L | H | X | X | X | L | L | L | L | L |
| Test T ₁ | L | L | H | L | X | X | L | X | L | L | L | L |
| Test T ₀ & T ₁ | L | L | H | H | X | X | L | L | L | L | L | L |
| Test T ₂ | L | H | L | L | X | L | X | X | L | L | L | L |
| Test T ₀ & T ₂ | L | H | L | H | X | L | X | L | L | L | L | L |
| Test T ₁ & T ₂ | L | H | H | L | X | L | L | X | L | L | L | L |
| Test T ₀ , T ₁ & T ₂ | L | H | H | H | X | L | L | L | L | L | L | L |
| Test T ₃ | H | L | L | L | L | X | X | X | L | L | L | L |
| Test T ₀ & T ₃ | H | L | L | H | L | X | X | L | L | L | L | L |
| Test T ₁ & T ₃ | H | L | H | L | L | X | H | X | L | L | L | L |
| Test T ₀ , T ₁ & T ₃ | H | L | H | H | L | X | L | L | L | L | L | L |
| Test T ₂ & T ₃ | H | H | L | L | L | H | X | X | L | L | L | L |
| Test T ₀ , T ₂ & T ₃ | H | H | L | H | L | L | X | L | L | L | L | L |
| Test T ₁ , T ₂ & T ₃ | H | H | H | L | L | L | H | X | L | L | L | L |
| Test T ₀ , T ₁ , T ₂ & T ₃ | H | H | H | H | L | L | L | H | L | L | L | L |

L = LOW
H = HIGH
X = Don't care

Table 2. Am29803A Function Table.

The System 29 instrumentation hardware will monitor a number of test points during the sequencing of the microcode and display these test points on the CRT terminal. Examples of these are: the microword, the output of the ALU, the CPU to memory bus, designators, etc. Since the monitoring hardware is under the control of the microprocessor, the output of the monitored points can be displayed in a format convenient for the design engineer.

Post Processing – When microcode check-out has been completed, the utility program AMPROM/29 is available to punch the microcode binary on paper tape in a format

appropriate for a given PROM Programmer or the output can be sent to a PROM Programmer directly.

SUMMARY

System 29 is a new development tool that greatly simplifies the prototyping and programming of all micro-programmed systems, regardless of their architectures. System 29 provides, for the first time, a well-defined, easy-to-use interface between hardware design engineers, software design engineers, and firmware design engineers resulting in the world's first complete development system for microprogrammed machines.

Advanced Micro Devices

AMDASM™ Reference Manual

This manual covers AMDASM/80, which runs on the INTEL® MDS System. With the exception of the execution commands it is also applicable to AMDASM/29, which runs on System 29, the AMD development System. Most of the features are also provided on AMDASM/TS, the time-shared version of AMDASM, available on the INFONET division of Computer Science Corporation. Separate manuals are available for the time-shared version and for AMDASM/29.

All rights reserved. No part of this publication may be reproduced by any means without written permission from Advanced Micro Devices.

This manual and the software program it references are the property of Advanced Micro Devices, Inc. Use of the manual and the software program is restricted by the Advanced Micro Devices, Inc. Software License Agreement, which should be read by each user of this Manual.

The information in this publication is believed to be accurate in all respects. However, Advanced Micro Devices disclaims responsibility for any consequences resulting from the use thereof. The information contained herein is subject to change. Revisions to this publication or new editions of it may be issued to incorporate such changes.

AMDASM and AMPROM are trademarks of Advanced Micro Devices, Inc.

Copyright © 1978 by Advanced Micro Devices, Inc.
Sunnyvale, California 94086

February, 1978

TABLE OF CONTENTS

| Chapter I | Page | Chapter III (Cont.) | Page |
|--|------|---|------|
| Introduction and Purpose | 4-1 | SPACE | 4-12 |
| Character Set | 4-1 | EJECT | 4-12 |
| Definition of Terms | 4-2 | Program Counter Control Statements | 4-13 |
| Definition Phase (PHASE1) | 4-2 | ORG | 4-13 |
| Assembly Phase (PHASE2) | 4-2 | RES | 4-13 |
| Implementation | 4-2 | ALIGN | 4-13 |
| Assembler Operation | 4-2 | Constant Definition Statement | 4-13 |
| Chapter II | | EQU | 4-13 |
| Definition Phase (PHASE1) | 4-3 | Executable Statements | 4-13 |
| Definition File | 4-3 | Executable Statements Using Format Names | 4-14 |
| TITLE | 4-3 | Free Format Statement FF | 4-14 |
| WORD | 4-3 | Overlaying Formats | 4-14 |
| END | 4-3 | Comment Statements | 4-15 |
| Printing Control Statements | 4-3 | END | 4-15 |
| LIST | 4-3 | Arguments | 4-15 |
| NOLIST | 4-3 | Constants | 4-15 |
| SPACE | 4-4 | Constant Lengths | 4-15 |
| EJECT | 4-4 | Constant Modifiers | 4-15 |
| Definition Statements | 4-4 | Expressions | 4-16 |
| Definition Words | 4-4 | Examples of Correct Constant Usage | 4-16 |
| Fields | 4-4 | Variable Field Substitutes | 4-16 |
| Designators | 4-4 | Required Substitutions | 4-16 |
| Field Rules | 4-5 | Substitution Separators | 4-16 |
| Names | 4-5 | Fitting Variable Substitutes to Variable Fields | 4-17 |
| Constants | 4-5 | Paged and Relative Addressing | 4-17 |
| Expressions | 4-5 | Hexadecimal Attribute | 4-18 |
| Definition Words | 4-5 | Assembler Symbol Table | 4-18 |
| EQU | 4-5 | Assembler Entry Point Table | 4-18 |
| DEF | 4-6 | Assembly File – Reserved Words | 4-18 |
| SUB | 4-6 | Chapter IV | |
| Examples of EQU, SUB, DEF | 4-6 | AMDASM Execution | 4-19 |
| Field Lengths | 4-7 | Chapter V | |
| Constant Lengths | 4-7 | Sample of AMDASM Processing | 4-21 |
| Continuation | 4-7 | Chapter VI | |
| Comment Statements | 4-7 | AMPROM™ PROM Programmer Post Processor | 4-25 |
| Modifiers and Attributes | 4-8 | AMPROM Description | 4-25 |
| Modifier Precedence | 4-8 | PROM Organization | 4-25 |
| Designators as Attributes | 4-8 | Post Processing Features | 4-27 |
| \$ Attribute | 4-8 | Execution Command for AMPROM | 4-27 |
| Don't Cares | 4-9 | AMPROM filenames | 4-28 |
| Variables | 4-9 | AMPROM Execution Examples | 4-28 |
| Examples of Variable Fields | 4-9 | Required AMPROM Input | 4-28 |
| Definition File Reserved Words | 4-10 | Input Substitutes | 4-29 |
| Sample Definitions | 4-10 | BNPF Paper Tape Option | 4-30 |
| Number of Permitted EQUs, DEFs, and SUBs | 4-10 | Hexadecimal Paper Tape Option | 4-30 |
| Horizontal tabs | 4-10 | Example of AMPROM | 4-31 |
| Chapter III | | Chapter VII | |
| Assembly Phase (PHASE2) | 4-11 | Error Messages and Interpretations | 4-32 |
| Assembly File Statements | 4-11 | AMDASM Errors | 4-32 |
| Continuation | 4-11 | AMDASM Errors Which Halt Execution | 4-34 |
| Labels or Names | 4-11 | AMPROM Errors | 4-35 |
| Entry Point Symbols | 4-12 | Appendix A | |
| Statement Types | 4-12 | Error Summary | 4-36 |
| Printing Control Statements | 4-12 | | |
| TITLE | 4-12 | | |
| LIST | 4-12 | | |
| NOLIST | 4-12 | | |

TABLE OF CONTENTS (Cont.)

LIST OF FIGURES

| Figure | Page |
|---|------|
| 5-1 Am2900 Learning and Evaluation Kit Architecture | 4-21 |
| 5-2 Example of Fields and Functions | 4-22 |
| 5-3 Definition File | 4-23 |
| 5-4 Flow Chart of Example | 4-24 |
| 5-5 Assembly Output in Block Format | 4-24 |
| 6-1 Bit Matrix | 4-25 |
| 6-2 Sample PROM MAP | 4-25 |
| 6-3 PROM MAP | 4-26 |
| 6-4 Organization of PROMs | 4-26 |
| 6-5 AMPROM Output for Am2900 Learning and Evaluation Kit | 4-31 |

LIST OF TABLES

| Table | Page |
|---|------|
| 2-1 Implicit Length Attributes of Constants | 4-7 |
| 4-1 AMDASM Options | 4-19 |
| 6-1 AMPROM Options | 4-27 |
| 6-2 AMPROM Input Substitutes | 4-29 |
| 6-3 BNPF Paper Tape Contents | 4-30 |
| 6-4 Hexadecimal Paper Tape Contents | 4-30 |

CHAPTER I

INTRODUCTION AND PURPOSE

An assembler is a program which "reads" another program written in a symbolic form and produces an output of binary words corresponding to the symbolic input. A microprogram assembler is a special kind of assembler, formally called a "meta-assembler". AMDASM is a meta-assembler.

A meta-assembler differs from an ordinary assembler in that most of the symbols are defined by the user prior to the assembly process itself. In an ordinary assembler, the user may define labels for instructions and symbols for particular data words, but the instructions themselves, including their associated word length and format, are generally already defined by the assembler. This makes perfectly good sense in an ordinary assembler, since the assembler is designed to convert an established set of formats into machine language (ones and zeros) for a particular machine such as the AMD Am9080A.

A microprogram assembler, however, must be far more flexible than a traditional assembler, since it must be useful for many hardware configurations. Each different hardware configuration may require a different format and may require word lengths (microinstructions) over 100 bits.

Moreover, in a microassembler, a format rarely establishes the entire contents of a microinstruction, but rather defines only a few bits of the total word.

These requirements imply that a microprogram assembler must consist of two distinct operations. The first operation is establishment of word length and definition of formats and constants (the Definition File). The second operation is the traditional assembly process (Assembly File) performed on a program that uses the formats and constants from the Definition File. The microprogram assembler, therefore, differs from the traditional assembler in that it may be configured, by the user, to accept any word size, formats and constants the user desires.

The assembler written by Advanced Micro Devices is a very powerful meta-assembler, useful not only with the AMD 2900 family, but with any microprogrammed machine. The assembler operates in two phases, the Definition Phase (PHASE1) and the Assembly Phase (PHASE2).

The Assembly Phase is much like any assembler. It reads a symbolic program, handles most common assembler features such as labeling and setting the address counter, and produces a binary output and various listings and cross-reference tables. The Definition Phase is executed first to set up the table which associates the user's format names and constant names with their corresponding bit patterns.

The Definition Phase lets the user define symbols for formats (format names), symbols for constants (constant names), and the microinstruction word length. In the Definition File the length of the microinstruction is defined first. The word may be any length from 1 to 128 bits. This is adequate for all but the most sophisticated processors.

Each of the user defined symbols has a specific bit pattern associated with it. A format name is used to define all, or part, of one microinstruction. The format definition may consist of:

- Numeric fields, which are defined to contain specific bit patterns.
- Variables, which will be filled in when the format is invoked.
- "Don't care" states.

Once the Definition Phase has been executed, its output may be retained and used by future programs.

A useful feature of the AMD assembler is that "don't care" states are retained until defined, which may not happen until after the assembly process, during a third, or post processing, phase. A listing of the microprogram at the conclusion of assembly shows an 'X' for every undefined bit. This is extremely useful during the development process before the microword length has been optimized by sharing fields.

Following assembly of the user's program, a file is retained which contains the assembled microprogram. This file is then available for post processing to create paper tapes for PROM blowers. The output utility can select columns and rows for a given PROM tape, freeing the user from any restrictions regarding the organization of the microprogram memory, and simplifying the generation of a new tape for each of the many PROMs in the system.

The program to be assembled may be written using any of the features specified during the Definition Phase. In the simplest case, the Assembly Phase source program might be written using just strings of ones and zeros, with the Definition Phase consisting only of the microinstruction word length. At the other extreme, the Assembly Phase source program may refer to multiple format names from the Definition Phase for each microinstruction. Any number of formats may be overlaid to define a single microinstruction, as long as the defined or variable fields of each format fall into the "don't care" fields of the other formats invoked. A user might define, for example, a set of formats specifying sequence control operations, another set for data control, and a third set for memory control.

The AMD assembler has been written to maximize its flexibility and ease of use for hardware designers. Every effort has been made to make the program efficient on the machine and efficient at the human interface, with a minimal knowledge of the host machine's operating system required.

NOTE: Throughout this manual examples often refer to the Am2900 Learning and Evaluation Kit shown in Chapter V.

CHARACTER SET

The following characters are legal in AMDASM source statements:

- The letters of the Alphabet, A through Z. Both upper-and lower-case letters are allowed. Internally, AMDASM treats all letters as though they were upper-case, but the characters are printed exactly as they were input in the source files.
- The digits 0 through 9
- The following special characters:

| Character | Meaning |
|-----------|-------------------|
| + | Plus sign |
| - | Minus sign |
| * | Asterisk |
| / | Slash |
| , | Comma |
| (| Left parenthesis |
|) | Right parenthesis |
| & | Ampersand |
| : | Colon |
| \$ | Dollar sign |
| % | Percent sign |
| Δ | Blank or space |
| ; | Semicolon |
| . | Period |
| Ⓞ | Carriage return |
| Ⓣ | Horizontal tab |

DEFINITION OF TERMS

Since there are no standard terms associated with microassemblers, the more common terms used in this manual are listed below:

| Term | Definition |
|----------------|---|
| Δ | Indicates a required blank character. |
| Name or label | 1-8 characters which are assigned a value by the programmer or the assembly process. Labels are used only in the Assembly File. |
| Constant | A specific pattern of 1-16 bits. |
| Constant name | A name for a constant. |
| Field | A group of adjacent bits in a microinstruction. |
| Format | A model for a microinstruction consisting of fields which contain constants, variables, and "don't cares". |
| Format name | A name for a format. |
| Line | An input line of up to 128 characters on a console, teletype, a paper tape reader, or a diskette file. |
| Modifiers | Symbols (* % : - \$) which indicate that the data given for a field is to be modified. |
| Attribute | A modifier which is permanently associated with a field. |
| Designator | A symbol (V, X, B#, Q#, D#, or H#) which indicates the type of field or constant: variable (V), "don't care" (X), binary (B#), octal (Q#), decimal (D#), or hexadecimal (H#). |
| Delimiters | A symbol (: Δ = , /) which indicates the end of a name (: Δ =), the end of a field (,), or the continuation of a statement (/) on another line. |
| Default values | The value which will be substituted if an explicit value is not specified. |
| Options | Choices available which indicate the input and output devices to be used, the type of output listing desired, and processing of one or both phases (Definition and Assembly). |
| { } | Braces indicate that the enclosed parameter is optional. |
| (CR) | Carriage Return |

DEFINITION PHASE (PHASE1)

The AMDASM Definition Phase includes the following features:

- A name is a packed group of 1 to 8 characters.
- A name may be assigned to a constant value.
- A name may be used to define a format whose fields are given as variables, "don't cares", explicit bit patterns (values), or specific addresses by using appropriate designators.
- Blanks may be used to improve readability.
- Microword length may be 1 to 128 bits.
- Modifiers include inversion, truncation, negation, and designation of a field as an address field to be right-justified

(placing a value in a field at the right with leading bits set to zero).

- The ability to set a "page" size via the attribute \$. This permits error detection when the Assembly Phase calls for a jump or branch to an address which is on a different "page" of the microcode.

Data from the Definition Phase may be retained for use with subsequent Assembly Phase source programs and/or it may be modified as desired.

ASSEMBLY PHASE (PHASE2)

The Assembly Phase provides for input of the microprogram source statements, conversion of format and constant names to their appropriate bit patterns, substitution of values for variable fields in the format, and generation of listing and binary output. The assembly source program will use references to format names and constant names from the Definition File. It will also contain statements which associate labels with addresses, control assembler operation, and provide program location counter control.

The assembly process provides the user with the following features:

- A microword may be assembled by referring to one or more format names from the Definition File.
- A microword whose format was not specified in the Definition File may be specified by using the built-in free-form format command.
- The programmer may control the program location counter to set the origin and/or to reserve storage.
- The programmer may choose one of four different output listing formats.
- A constant or a variable field may be defined using values and/or expressions.
- Errors are detected and listed. Severe errors cause processing to halt.

Output of the Assembly Phase is an object file which contains the complete microprogram. Post processors can directly convert this object file to any form needed, such as hexadecimal or BNPF punched on paper tape.

IMPLEMENTATION

AMDASM/29 operates on the Advanced Micro Devices' System 29 under the AMDOS/29 Operating System. AMDASM/80 operates on the Intel Intellec® MDS-DOS System under the ISIS-II® operating system.

ASSEMBLER OPERATION

AMDASM is placed into execution by control statements from the console input device.

The Definition File is processed in PHASE1 and if it contains no errors the Assembly Phase begins. PHASE2 Pass 1 assigns values to Assembly File labels and allocates storage. PHASE2 Pass 2 translates the Assembly File source program into object code.

User-selected options determine whether the Definition Phase is to be executed or if a previous execution of that phase has already established the table of formats on a file which will be used by the assembly process.

The AMDOS/29 operating system allocates all necessary input and output resources, such as files, automatically.

®Intel and Intellec are registered trademarks of Intel Corporation.
©Copyright Intel Corporation, 1976.

CHAPTER II

DEFINITION PHASE (PHASE1)

The Definition Phase allows the user to define the microword length, constants, and formats which he will use to write source programs for his target machine.

DEFINITION FILE

The definitions are input via a sequence of instructions called the Definition File whose content includes the following items:

TITLE (heading to be printed on output listing)
WORD n (defines microinstruction word length)

Printing control statements
Definition statements
Comment statements

END

The control statement WORD must appear as the first statement in the Definition File after the optional TITLE statement. The END statement must be the last statement in the Definition File.

The other statements (shown boxed) may be interspersed throughout the body of the file.

To facilitate readability, blanks may appear in most parts of these statements, although no blanks are permitted between the letters of the control words TITLE, WORD, END, LIST, NOLIST, DEF, EQU, or SUB. An entire blank line may be inserted by entering a semicolon and a carriage return.

TITLE

If the user wishes to have a title printed on his Definition File statements, the first statement input should be TITLE. The general form is:

Form:
TITLEΔ title desired by user

TITLE must:
• Begin on a new line
• Be followed by a blank and a maximum of 60 characters.

WORD

WORD must be the first statement input by the user after the optional TITLE is given. Its general form is:

Form:
WORDΔn

WORDΔ must be followed by a decimal integer value n which indicates the microword size in bits (range 1–128).

WORD must:
• Be followed by at least one blank and 1 to 3 decimal digits.
• Be the first input line (second input line if TITLE was used).
• Begin on a separate line.

If WORD is omitted, assembly will halt as the Definition Phase must know the size of the microword in order to proceed.

END

END indicates the end of the Definition File. If END is omitted an error message will be printed but processing will continue. The general form is:

Form:
END

END must:

- Begin on a new line.
- Be the last statement in the Definition File.
- Be followed by a carriage return.

PRINTING CONTROL STATEMENTS

Printing control statements are used to control printing.

TITLE was listed separately since it must be the first statement input if it is to be printed at the top of the first page of the output. TITLE may be used elsewhere (i.e., interspersed with the statements shown in the box) in which case it causes this new title to be printed at that position in the output file.

A description of the other printing control statements, LIST, NOLIST, EJECT and SPACE, follows:

LIST

LIST indicates that the following statements are to be printed whenever printing of the Definition File input is requested. This feature will be most useful when correcting or modifying a Definition File. (AMDASM selects LIST as the default option. NOLIST must be specified if the user does not wish to print his Definition File source statements.) The general form is:

Form:
LIST

LIST must:

- Begin on a new line.
- Be followed by a carriage return.
- Precede the Definition File statements which are to be printed.
- Be interspersed between complete definition statements.

NOLIST

NOLIST turns printing off, and no printing of the Definition File input statements will occur until LIST is encountered. However, any source statement containing an error will still be listed.

Form:
NOLIST

NOLIST must:

- Begin on a new line.
- Be followed by a carriage return.
- Precede the Definition File statements which are not to be listed.
- Be interspersed between complete source statements.

SPACE

SPACE indicates that the assembler is to leave n blank lines before printing the next source statement. The general form is:

```
Form:
-----
SPACEΔ n
-----
```

SPACE must:

- Begin on a new line.
- Be followed by Δ and a decimal digit indicating the number of succeeding lines to be left blank.
- Be inserted in the Definition File at the point where the spaces are desired.

EJECT

When EJECT is encountered, the assembler generates blank lines on a list device so that any previous lines plus the blank lines equals the specified "page" length (default is 66 lines). It then begins a new "page", headed with the title. On a printer a new page is ejected. The general form is:

```
Form:
-----
EJECT
-----
```

EJECT must:

- Begin on a new line.
- Be followed by a carriage return.

DEFINITION STATEMENTS

Definition statements are used to define constants, full microword formats, or partial microword formats. The general form of these statements is:

```
Form:
-----
name: definition wordΔ field1, field2, . . . , fieldn
      or
      constant
-----
```

DEFINITION WORDS

The definition words and their functions are:

- EQU is used to set a name equal to a bit pattern
- DEF is used to define a format for a microinstruction
- SUB is used to define a format for part of a microinstruction

A complete explanation follows the section defining fields, designators and constants (page 5).

FIELDS

A field is a contiguous group of bits in a microinstruction (such as branch address, next instruction control, etc.). Each field may be one of three types:

- A constant field whose content is a fixed value or a fixed bit pattern, (for example, the next instruction control).
- A variable field whose content will contain different bit patterns in different situations (for example, an address field).
- A don't care field whose content is not used in this format (for example, the address field for a continue instruction).

The type of data in a particular field is indicated by using "designators".

DESIGNATORS

Permissible designators and their meanings are:

| Designator | Meaning | Example |
|------------|---|---|
| B# | A constant or field whose contents will be represented using binary digits (0 and 1). Each digit has an implicit length of one bit. | B#101 (three bits 101). |
| Q# | A constant or field whose contents will be represented using octal digits (0 through 7). Each digit has an implicit length of three bits. | Q#32 (six bits 011010). |
| D# | A constant or field whose contents will be represented using decimal digits (0 through 9). For a constant name definition using EQU, the implicit length for decimal numbers is the number of bits needed to represent the number in binary. Thus, D#3 has an implicit length of 2, D#4 has an implicit length of 3. For fields in a format (DEF or SUB), the D# must be preceded by decimal digit(s) giving an explicit length (number of bits) for the field. | D#4 (three bits 100) 3D#6 (three bits 110) |
| H# | A constant or field whose contents will be represented using hexadecimal digits (0 through 9, A through F). Each digit has an implicit length of four bits. | H#8A (eight bits 10001010) |
| X | A "don't care" field. X must be preceded by decimal digit(s) giving an explicit length for this field (i.e., the bit length). | 4X (4 bit "don't care" field). |
| V | A variable field. V must be preceded by a decimal digit(s) giving an explicit length for this field (i.e., the bit length). | 6V (six bit variable field). |

When a designator B#, Q#, D# or H# is given after a V, it becomes a permanent attribute of that field and the assembler assumes that any value specified for that field will be given in digits appropriate to that designator.

These permanent designators for variable fields may be overridden when using the format during the Assembly Phase. If a variable field has no designator given, it defaults to binary. For example, if all variable fields are given as nVQ# in the Definition Phase, all values for this variable field that are octal may be written during the Assembly Phase by writing only the necessary octal digits.

The content of a variable field may be given during the Definition Phase. The V designator may be followed by the B#, Q#, D#, or H# and these may be followed by appropriate digits called the default value for this field.

Thus, 6VQ# indicates a 6-bit variable field whose contents will be given in octal. 6VQ#35 indicates that if no value is substituted in the Assembly Phase, this variable field should assume the default value 011101.

NOTE: The designators B#, Q#, D#, H# must have no blanks between the letter and the #. The desired value for the field is then given in the appropriate digits as shown in the examples.

AMDASM

FIELD RULES

Each field following a definition word must:

- Contain a maximum of 16 bits unless it is a "don't care" field.
- Be followed by a comma unless it is the last or only field following the definition word.
- Define a constant field using the designators B#, Q#, D#, or H# and the appropriate digits.

or

- Be a variable which gives a bit length and the designator V. If no designator follows the V, the field type defaults to binary.

or

- Be a "don't care" which contains a bit length and the designator X.

or

- Be a constant name or subformat name which has been previously defined.

NAMES

Names may be user-defined constant names, format names, or subformat names.

Names must:

- Be the first element in a statement.
- Begin with an alphabetic character (A-Z) or a period (.).
- Be terminated by a colon (:).
- Contain a maximum of 8 characters not including the colon.
- Not contain any embedded blanks.
- Be followed by EQU, DEF or SUB.
- Contain only alphabetic characters (A-Z), a period (.) or the digits (0 through 9) in positions 2 through 8.

Names may:

- Contain more than 8 characters but will be truncated after the first 8 characters.
- Be preceded by blanks.
- Be followed by blanks after the : and before the EQU, SUB, or DEF.

Examples of proper names are:

NUMBER:
 . SHIFT:
 REG.3:

Improper names are:

*ADD (special character used)
 SHIFT LEFT: (embedded blank, more than 8 characters)
 3MUXCNTL: (first character not A through Z or period)

CONSTANTS

Constants are used to associate a name with a value or to define a specified fixed bit pattern.

Constants may be expressed by using designators and the appropriate digits.

For example

Q#62

defines the bit pattern 110010. This type of constant has an implicit bit length of 6 bits (each octal digit represents 3 bits).

If a decimal digit precedes the designator, as for example in 4H#5

the 4 represents the explicit length of the field, and the bit pattern is 0101.

Explicit and implicit lengths are more fully defined later in this chapter.

Constants must be represented in 16 bits (i.e., $2^{16} - 1$ maximum). The permissible forms for constants are:

| Form | Permissible Digits | Meaning |
|---|-------------------------------|------------------------------|
| n | 0 through 9 | Decimal value (default form) |
| $\left. \begin{matrix} i \\ i \\ i \end{matrix} \right\}$ B#n | 0 or 1 | Binary value |
| $\left. \begin{matrix} i \\ i \\ i \end{matrix} \right\}$ Q#n | 0 through 7 | Octal value |
| $\left. \begin{matrix} i \\ i \\ i \end{matrix} \right\}$ D#n | 0 through 9 | Decimal value |
| $\left. \begin{matrix} i \\ i \\ i \end{matrix} \right\}$ H#n | 0 through 9 or A through F | Hexadecimal value |

where i represents optional digits specifying the explicit length.

EXPRESSIONS

Any field may contain an expression. The expression may use designators and/or digits or labels as well as operators.

Operators permitted in expressions are:

| Operator | Description |
|----------|---|
| + | Add the value of the left operand to the value of the operand on the right of + |
| - | Subtract the value of the operand to the right of the minus (-) from the value of the operand on the left |
| * | Multiply the left operand by the right operand |
| / | Divide the operand on the left (dividend) by the operand on the right (divisor) |

All expressions:

- Are evaluated from left to right. There is no hierarchy for the operators and no parenthesis for nesting are permitted.
- Must result in a value which is a positive constant.
- Are calculated using integers; remainders are discarded.

DEFINITION WORDS

The definition words EQU, DEF and SUB are described in detail in this section.

EQU

EQU is used to equate a constant name to a constant value or expression. The general form is:

Form:

name: EQUΔ constant (or expression)

This equates the characters given in the name position to the value of the constant or expression. Only one expression or constant is permitted following the EQU.

The following sets the name R12 equal to the bit pattern 1100:

R12:EQUΔH#C

Future references to the bit pattern 1100 (register 12) may be made by using the name R12.

The default type is decimal if no designator follows the EQU. (R10:EQUΔ10 assumes the bit pattern 1010, implicit length 4 bits).

Each EQU must:

- Begin on a new line.
- Begin with a name:
- The name: must be followed by EQUΔ (blanks between : and EQU are optional).
- Contain a constant, expression or a constant name which represents a bit pattern.
- Define a value which can be represented in 16 bits ($2^{16} - 1$ maximum).

Each EQU may:

- Be followed by a semicolon and comment after the constant or expression.
- Be continued on additional lines by using / (slash) as the first nonblank character in those lines.
- Be used in the Assembly File as well as in the Definition File.

DEF

DEF is used to define a complete microword format establishing the contents of unvarying portions of the microword and establishing the position and length of variable and "don't care" fields. In addition, default values for variable portions of the word may be specified. The general form is:

Form:

name: DEFΔ field1, field2, . . . , fieldn

Each DEF must:

- Begin on a new line
- Be preceded by a name:
- Be followed by one or more blanks, then fields separated by commas.
- Have the sum of the lengths of all fields exactly equal the microword length specified by WORD.
- Begin on a new line
- Specify every bit in the microword in terms of constants, "don't cares", or variables.

A DEF may:

- Contain blanks between name: and DEFΔ.
- Be continued on additional lines by using a / (slash) as the first nonblank character in those lines.
- Be followed by a semicolon and a comment after any full field is defined.
- Contain (in any field) a subformat name or constant name which has been PREVIOUSLY defined.
- Contain a variable, "don't care", constant or expression in any field.
- Contain a variable field which specifies a default value for the field. The default value may be a constant or a "don't care".
- Be overlaid on "don't care" fields with another format to obtain a complete microword during the Assembly Phase. Overlaying on other than "don't care" fields will result in errors, so this feature must be used with care.

SUB

SUB is used to define a subformat which is the format of a portion of the microword. A subformat is the same as a format except that it contains fewer bits than the full microword. The fields may be constants, variables or "don't cares". Its general form is:

Form:

name: SUBΔ field1, field2, . . . , fieldn

Each SUB must:

- Be preceded by a name:
- Be followed by one or more blanks, then fields separated by commas.
- Precede the DEF in which it is first referenced.
- Begin on a new line.
- Not be used in the Assembly File.

A SUB may:

- Be less than a microword length in bits.
- Be continued on additional lines by using / (slash) as the first nonblank character in those lines.
- Be followed by a semicolon and a comment after any complete field.
- Contain (for any field) a constant name that was PREVIOUSLY defined, or a constant, expression, variable, or "don't care" specification.

A SUB will be useful when several formats contain identical adjacent fields. In this case, the subformat name may be used in each DEF whenever these fields occur.

EXAMPLES OF EQU, SUB, DEF

An EQU is used to associate a bit pattern with a symbol (constant name); one example is:

```
R2: EQUΔ B#010
```

This defines the name R2 as a 3-bit constant with the bit pattern 010. Whenever the symbol R2 is used, the bit pattern 010 will be substituted.

A SUB might be:

```
SHFTRT:SUBΔ 3V, B#10110, 5X
```

This defines SHFTRT as a subformat with a 3-bit variable field (3V), a 5-bit constant field (B#10110), and a 5-bit "don't care" field (5X) for a total of 13 bits.

A DEF is used to associate bit patterns with a symbol (format name). One example is:

```
ADD: DEFΔ 3V, B#10110, 5X, B#0011, 4X, B#010
```

This defines ADD as a format with a 3-bit variable field (3V), a 5-bit constant field (B#10110), a 5-bit "don't care" field (5X), a 4-bit constant field (B#0011), a 4-bit "don't care" field (4X), and a 3-bit constant field (B#010). This gives a total microword length of 24 bits.

Alternatively, the same format name could be written using the subformat name (SHFTRT) and the constant name (R2) previously defined by writing:

```
ADD: DEFΔ SHFTRT, B#0011, 4X, R2
```

AMDASM

Another example of an EQU is:

```
TWOK: EQUΔ 2048
```

This assigns the bit pattern 100000000000 and a length of 12 bits to the name TWOK. The 2048 is assumed to be decimal and the length is taken from the rightmost bit through the leftmost bit in which a 1 appears.

Thus,

```
EIGHT: EQUΔ 8
```

yields the bit pattern 1000 with a length of 4

Alternatively, by using different designators, the constant

```
TWOK: EQUΔ 2048
```

could be written:

```
TWOK: EQUΔ B#100000000000
```

```
TWOK: EQUΔ Q#4000
```

```
TWOK: EQUΔ H#800
```

All of these yield the bit pattern 100000000000 and a length of 12.

FIELD LENGTHS

Each field may be given an explicit or implicit length. An explicit length is indicated for a field by using decimal digit(s) before the designator. The maximum length is 16 bits except for don't care fields whose maximum length is the microword size.

Thus,

```
3B#101
```

indicates a field with an explicit length of 3 bits.

Decimal, variable or "don't care" designators **require** an explicit length before the designator D#, V or X.

"Don't care" or variable fields **require** an explicit length since they do not, necessarily, initially contain a definite bit pattern.

Decimal **fields** in a format or subformat require an explicit length since there is no direct correlation between the number of decimal digits given and the number of binary bits desired for this field.

| Example | Description |
|----------|---|
| 4V | Defines a variable field with the explicit length of 4 bits. |
| 5D#16 | Defines a constant field with the explicit length of 5 bits and the bit pattern 10000. |
| R3:EQUΔ5 | Defines a constant using the default type decimal, value 5. The implicit bit length is 3. |

CONSTANT LENGTHS

A constant may have an implicit or an explicit length. An explicit length is given by placing the bit length (in decimal digits) before the designator. Thus,

```
B:EQUΔ4D#8
```

has an explicit length of 4 and the bit pattern 1000.

If an explicit length is not given, the constant is assigned an implicit length determined by the designator used.

Table 2-1
Implicit Length Attributes of Constants

| Constant | Implicit Length | Binary Value | Description |
|---------------|-----------------|--------------|--|
| AB:EQUΔB#1000 | 4 | 1000 | Each binary digit yields an implicit length of 1 bit per digit. |
| BB:EQUΔQ#10 | 6 | 001 000 | Each octal digit yields an implicit length of 3 bits per digit. |
| CB:EQUΔH#10 | 8 | 0001 0000 | Each hexadecimal digit yields an implicit length of 4 bits per digit. |
| DB:EQUΔ12 | 4 | 1100 | The 12 is assumed to be decimal, and the implicit length is counted from the rightmost bit through the leftmost 1. |
| EB:EQUΔ4 | 3 | 100 | Same as above. Implicit length 3. |

CONTINUATION

Any statement may be continued on additional lines by placing a / (slash) as the first nonblank character in those lines.

A continuation must:

- Have a slash as the first nonblank character in its line.
- Preferably be indicated after a complete field (including the comma) has been given on the preceding line.
- Never occur between the designators B, D, Q, or H, and the # sign.

Examples are:

```
SHFTRT: SUBΔ 3V, B#10110,  
/5X
```

```
ADD: DEFΔ 3V, B#10110, 5X,  
/B#0011, 4X, B#010
```

COMMENT STATEMENTS

A comment statement is used to provide information about program variables or program flow. The general form is:

```
Form:  
_____  
; comment text
```

A comment may be a full or a partial line. All data from the semicolon to the end of the input line is ignored by the assembler.

Comments must:

- Begin with a semicolon.
- Be placed after a complete field if used within a DEF or SUB, in which case subsequent fields for that DEF or SUB must begin on a new line with a / (slash) indicating that they are a continuation of this DEF or SUB.

For example:

1. SHFTRT: SUBΔ 3V, ; this is a shift right subformat
2. / B# 10110, 5X; which is continued on a second line
3. ; the ADD given below is a complete microword format
4. ADD: DEFΔ SHFTRT, B#0011, 4X, R2
5. ; total number of bits for SHFTRT is 13
6. ; the bit pattern for SHFTRT will be substituted
7. ; in the ADD given above

Statements 3, 5, 6, and 7 are full comment lines. Statements 1 and 2 are statements to be processed but all characters after the 'semicolon' will be treated as comments. The SUB begun in statement 1 is continued in statement 2 where '/' indicates continuation.

MODIFIERS AND ATTRIBUTES

Modifiers are placed after a constant or after the designator V. When placed after a constant they alter only the value given. When used after a V, the modifiers are called attributes of that field and are permanently associated with the field. Attributes will modify any default value given with the variable field in the Definition File and they will modify any value substituted for this variable field when the format name is used in the Assembly File.

Permitted modifiers and their actions are:

| Modifier | Action Performed on Constants or Default Values |
|----------|---|
| * | Inversion (one's complement) |
| – | Negate the number (two's complement) |
| : | Truncate on the left to make the value given fit into the number of explicit bits for this field. |
| % | This field is to be considered an address field. Any value given is to be right-justified in the field and any bits remaining on the left are to be filled with zeros. |
| \$ | The field is treated as an address within a "paged" memory organization. This attribute permits substitution in this regard and initiates out-of-bounds page checking logic. Used only with variable fields as an attribute (may not follow a default value). |

Examples of correct use of modifiers with constants:

| Example | Description |
|---------|--|
| D#5* | Yields bit pattern 010 (101 (5) is inverted). |
| B#0101– | Yields bit pattern 1011 (0101 is two's complemented). |
| 6Q#357: | Yields bit pattern 101 111 (the left bits 011 (3) are truncated). |
| 12H#A5% | Yields bit pattern 0000 1010 0101 (the A5 is right justified in a 12 bit field). |

Examples of incorrect fields due to omission of modifiers:

| Example | Description |
|---------|---|
| 4B# 101 | Explicit length is 4 bits, only 3 bits follow the B# but no % sign (indicating right justification) is given. |
| 5Q#34 | Explicit length is 5 bits but the 34 generates 6 bits and no : has been given to indicate that the leftmost bit is to be truncated. |

Modifiers must:

- Appear after the value of a constant (i.e., 12H#4C% or 5Q#37:).
- Appear after the V but before the (optional) default value for a variable field (12V%Q#46), if they are to be permanent attributes of the field. The % and the Q# become permanent attributes of this variable field and are also modifiers of the default value. To modify only the default value, modifiers must follow the value (12VQ#46%).
- Not appear with "don't cares" (e.g., 3X% is illegal).

The modifiers * and – may not both be used for the same field.

A more detailed description and examples are given in Chapter III.

MODIFIER PRECEDENCE

Modifiers or attributes may appear in any order but will always be processed in the following order:

| Modifier | Description |
|----------|-----------------------|
| * or – | Inversion or negation |
| % | Right justification |
| : | Truncation |
| \$ | Paged addressing |

DESIGNATORS AS ATTRIBUTES

Variable fields may use the B#, Q#, D# and H# as attributes. Once given, B#, Q#, D# and H# are permanently associated with that variable field unless overridden. If a variable field has no radix base specified, it will **default to binary**.

If the user always wants to input assembly variables in octal, each variable field in the Definition Phase should be written as nVQ#. Then, in the Assembly Phase the value for this field may be given as, 27, and the program will assume that these are octal digits. If, in the Assembly File, octal is not desired, the field in the Assembly File program could be written as B#010111, or H#27, etc., to override the octal attribute.

If a variable field is defined with a default value (4VH#C), the designator (H#) becomes an attribute of that field.

The attribute H#, if given with a variable field in the Definition File, may need to be repeated in the Assembly File. This is necessary since the program can not distinguish hexadecimal values which begin with A through F from names, which may also begin with the letters A through F.

\$ ATTRIBUTE

The \$ attribute may be used only with variable fields to indicate paged addressing.

When the \$ is given with a variable field, the % and : attributes are automatically set for that field.

The \$ will indicate that this is a field whose remaining upper (leftmost) bits are to be truncated and compared with the corresponding bits of the current Program Counter.

If the truncated bits do not agree with the corresponding bits of the PC, an error occurs.

The desired length of the "page" is determined by the number of bits given as the width of this variable field.

AMDASM

Thus, if a "page" is to be 256 words deep, the variable field would be defined as 8V\$. Any value substituted for this field will be truncated on the left and the remaining eight right-hand bits will be substituted into the field. If the truncated left bits do not agree with the corresponding bits of the current program counter value, the substitution would attempt to produce a jump to another page; thus an error message is generated.

"DON'T CARES"

A "don't care" is used to indicate the bits (a field) whose state (bit pattern) is irrelevant in this microword instruction.

The general form is:

| |
|-------|
| Form: |
| nX |

where

n is the number of bits (in decimal), and X indicates "don't care".

"Don't cares":

- Are printed as an X in the Assembly Phase output.
- May be assigned the value 0 or 1 during the post processing phase.
- Are the only fields which may be greater than 16 bits in length.
- Are the only fields in a format which may be overlaid (or'ed) with another format which contains a constant in the same field.

VARIABLES

Variables are used to define microword fields whose contents need not be assigned until assembly time. A variable field may be assigned a default value in the Definition File. The general forms are:

| |
|---------------------------------------|
| Form: |
| nV |
| nV attributes |
| nV attributes default-value |
| nV attributes default-value modifiers |
| nV default-value modifiers |

A variable field must:

- Be preceded by an explicit length (n) which gives (in decimal) the bit length of the field. ($n \leq 16$)
- Contain a V after the length.
- End with a comma (,) if another field follows it.
- Contain a % after the V if an expression or the program counter is to be used as a substitute for this field in the Assembly File.

A variable field may:

- Contain attributes (immediately after the V), such as inversion (*), which will always invert any value given for this field.
- Contain a designator given with or without a default value which will automatically determine the default type for this field.

- Contain a default value given in binary indicated by (B#), octal (Q#), hexadecimal (H#), or decimal (D#) followed by the desired digits.
- Contain modifiers after the default value. These modify **only** the default value and are not permanently associated with this variable field.
- Contain a default value given as X (indicating "don't care") if the user wishes to overlay this field during the Assembly Phase.
- Contain **either** a default value of "don't care" **or** an explicit default value (bit pattern) but not both.

Examples of the correct use of variable fields with a default value of "don't care" are:

```
3VX
3V*X
3V$X
3V*$X
```

EXAMPLES OF VARIABLE FIELDS

| Field Content | Meaning |
|---------------|---|
| 3V | A 3-bit field. The content is variable and will be supplied when this format name is used in the Assembly File. The field type defaults to binary. |
| 3VQ# | A 3-bit field whose content is variable. The content will be supplied when the format name is used during the Assembly File. The content may then be given as one octal digit without using the designator Q#. If the content is to be given in binary, decimal, etc., then the designator B# or D# would be placed before the digit(s) given in the Assembly File. |
| 3V*% | A 3-bit field whose content is variable. Any value given for this field within the Assembly File will automatically be inverted and right-justified. Since no designator is given, the field defaults to binary. If the content is to be given in octal, etc. in the Assembly File, the appropriate designator (Q#, H#, D#) must precede the digit(s). |
| 3VQ#5 | A 3-bit field whose content is variable. If no value is specified for this field in the Assembly File, it will assume the default value (specified as Q#5) bit pattern 101. |
| 3VQ#5* | Is the same as above but the 5 is inverted to yield the bit pattern 010. Values <i>substituted</i> for this field during the Assembly File are not automatically inverted. |
| 3V*Q#5 | Yields the same pattern as 3VQ#5*but, in addition, any value substituted during the Assembly File for this field will also be automatically inverted since the * follows the V rather than the 5. |
| 3V*Q#5* | Yields a 3-bit variable field with a default value of 5, inverted, then inverted again by the * following the V. The resulting bit pattern is 101. Any value substituted for this field in the Assembly File will be inverted. |

To summarize, attributes placed immediately after the V are permanently attached to this field and will operate on any default value given with the field as well as any value substituted for the field in the Assembly File.

Modifiers placed after a default value apply only to the default value.

Examples of incorrect variable fields are:

| Field Content | Description |
|---------------|---|
| 3VH#7 | The H#7 yields 4 bits. No : was given to indicate that the left bit should be truncated to fit the 3-bit field. |
| 3:VH#7 | The : is in an incorrect position. It should be 3V:H#7 or 3VH#7: (depending on whether the truncation is a permanent field attribute or a modifier of the default value H#7). |

In short, attributes must be placed immediately after the V. Modifiers must be placed immediately after the digits given for the default value.

DEFINITION FILE RESERVED WORDS

The following words are used during the assembly phase as assembler control statements and may not be used as format names or constant names in the Definition File :

| | | | |
|-------|------|--------|-------|
| ALIGN | EQU | NOLIST | SPACE |
| EJECT | FF | ORG | TITLE |
| END | LIST | RES | |

SAMPLE DEFINITIONS

Some possible ways of defining a few of the fields and formats for the Am2900 Learning and Evaluation Kit (see Figure 5-2) are:

```

R2:EQUΔH#2 }
R11:EQUΔH#B } Registers

CONT:DEFΔ4X, B#0010,24X } Next instruction
BREGFEQ0:DEFΔ4VH#,4D#12,24X } control

```

Registers 2 and 11 are defined as 4 bits, with the assigned values 2 (0010) and 11 (1011), respectively.

CONT (continue) defines only the four bits (shown as 27-24 in Figure 5-2) with the pattern 0010. All other bits are left as don't cares.

BREGFEQ0 (Branch Register if F = 0) defines the four bits (bit numbers 31-28 in Figure 5-2) as a variable field, to be given a value during the Assembly Phase using hexadecimal digits. The next four bits (bit numbers 27-24 in Figure 5-2) are given the constant pattern 1100 (value 12). All other bits are don't cares.

NUMBER OF PERMITTED EQUs, DEFs, AND SUBs

There is no fixed maximum number of EQUs, DEFs or SUBs because AMDASM stores all data dynamically. The user of a 32K-byte system has available, in PHASE1, approximately 10K bytes for variable storage; PHASE2 has approximately 8K bytes.

PHASE1 allocates:

- 12 bytes for each EQU
- 12 bytes for each format or subformat name
- 4 bytes for each field in a DEF or SUB

PHASE2 allocates:

- 12 bytes for each format name, constant name and label
- 4 bytes for each format field

HORIZONTAL TABS

A horizontal tab may be entered for readability as the user inputs his source files. The assembler places the character following the horizontal tab at the next tab position. Tab stops begin with position 1, and occur every eight positions thereafter as follows: position 1, 9, 17, 25, etc. Thus if data is input at character position 5, a tab will place the next character input at position 9. However, if data is input at character position 17, a tab will place the next character at position 25.

Horizontal tabs may be used in both the Definition and Assembly Files.

CHAPTER III

ASSEMBLY PHASE (PHASE2)

The Assembly Phase reads in the source program statements, assigns values to labels and constants, then translates the source program's **executable** statements into a binary format. The Definition Phase output (a table of format and constant names and their associated bit patterns) is used for this translation.

The user must input his source program statements in the order corresponding to the desired order of his executable statements. The user may allocate blocks of storage, control printing, and set the program counter via nonexecutable assembler control instructions which are interspersed with, and do not affect the order of, his executable statements.

The object code is input via a sequence of instructions called the Assembly File whose content includes the following:

TITLE (heading to be printed on the output listing)

- Printing control words
- Program counter control words
- Constant definition word
- Executable statements
- Comments

END

The optional TITLE statement is usually input first so that the desired title appears on the first output page.

The other statements (shown boxed) may be interspersed throughout the body of the file. However, the executable statements must be input in the order that corresponds to the desired sequence of the object (micro) code.

The END statement must be the last statement in the Assembly File.

The permissible Assembly Phase statements are:

- | | | |
|--------|---|--|
| TITLE | } | Printing control words |
| LIST | | |
| NOLIST | | |
| SPACE | | |
| EJECT | | |
| ORG | } | Program counter control words |
| RES | | |
| ALIGN | | |
| EQU | } | Constant definition word |
| FF | } | Free form definition word to establish a microword content |

References to format names from the Definition Phase

Comments } Used for documentation and program flow.

END } End of the Assembly File.

None of the control words (LIST, ORG, etc.) or format names may contain blanks.

ASSEMBLY FILE STATEMENTS

Each statement contains an optional label followed by a statement type. Some statement types must be followed by an argument which may be a constant, a constant name, or an expression.

The general form of all Assembly File statements except comments is:

Form:

| | | |
|--------|--------------------------------|----------------|
| label: | control word | { Δarguments } |
| name: | format name definition word | |

CONTINUATION

Any statement may be continued on additional lines by placing a / (slash) as the first nonblank character in those lines.

LABELS OR NAMES

Labels or names are packed groups of letters and/or symbols which have an associated value.

Labels are permissible with executable statements and names are required with the definition word EQU.

Form:

| | |
|--------|-----------------|
| name: | definition word |
| | or |
| label: | format name |

A name or label's value is determined by the statement type which follows it. Thus,

name: EQUΔn

equates the symbol "name" with the value given for "n", while

label: format name Δ VFS, VFS . . .

equates label to the current value of the program counter, so that reference may be made to this location in the microcode by using this label.

A label or name must:

- Begin with an alphabetic character (A through Z) or period (.).
- End with a colon.
- Contain no more than 8 characters, exclusive of the colon. (Excess characters are truncated on the right.)
- Contain no imbedded blanks.
- Each be unique. If duplicates are given, the value given at the first occurrence is used and a warning message is issued for each duplicate.

A label or name may:

- Precede an EQU, RES, ORG, FF, or an executable instruction
- Be used as a variable field substitute (VFS)
- Be used as a field in an FF statement
- Not be a reserved word
- Contain only the letters A-Z, numerals 0-9 or a period (.) in positions 2 through 8.

When a name is defined by an EQU, the definition (source statement) must precede the use of the name as a field or a constant. If the statement

```
AM2909:DEFΔJSR,28X
```

is given, it must be physically located in the source program **after** the statement

```
JSR:EQUΔH#5
```

A good general rule is to place all EQUs at the beginning of the Assembly File program.

ENTRY POINT SYMBOLS

When a label is followed by a double colon (::) it is called an Entry Point. Entry Points are used when generating Mapping PROMs to easily obtain the program (location) counter value associated with certain points in the microcode.

Entry Points are indicated in the assembly source file as

```
label: : format name Δ VFS, . . .
```

Except for the double colon, Entry Points are subject to all the rules applicable to labels.

A list of the Entry Points (symbols and values) may be obtained when AMDASM is executed by requesting the MAP option (see Chapter 4, page 20).

STATEMENT TYPES

The Assembly File uses six general types of statements. These are listed below with their permissible control words:

- Printing control statements (LIST, NOLIST, SPACE, EJECT, TITLE)
- Program counter control statements (RES, ORG, ALIGN)
- Constant definition statement (EQU).
- Executable instruction statements (format names from the Definition Phase, FF).
- Comment Statements (;).
- END Statement

PRINTING CONTROL STATEMENTS

TITLE

All data input on the line with TITLE will be printed at the top of each page of output. A maximum of 60 characters may be input for a title. When a new TITLEΔ is encountered the list device ejects blank lines to complete the present page and succeeding "pages" will contain this title. A "page" is not necessarily a physical page since the user may specify the length (number of lines) of a "page". The general form is:

Form:

```
TITLE Δ alphanumeric data to be printed
at the top of the page
```

LIST

LIST indicates that the following statements are to be printed whenever printing of the Assembly File input is requested. This feature will be most useful when correcting or modifying an Assembly File. (AMDASM automatically prints the source statements unless NOLIST is specified by the user.) The general form is:

Form:

```
LIST
```

LIST must:

- Begin on a new line.
- Be followed by a carriage return.
- Precede the Assembly File statements which are to be printed.
- Be interspersed between **complete** assembly statements.

NOLIST

NOLIST turns off the printing of assembly source statements. Printing of the Assembly File input will be suppressed until LIST is again encountered. Any source statement containing an error will still be printed. The general form is:

Form:

```
NOLIST
```

NOLIST must:

- Begin on a new line.
- Be followed by a carriage return.
- Precede the Assembly File statements which are not to be listed.
- Be interspersed between complete assembly statements.

SPACE

SPACE indicates that the assembler is to leave n blank lines before printing the next source statement. The general form is:

Form:

```
SPACEΔ n
```

SPACE must:

- Begin on a new line.
- Be followed by Δ and a decimal digit indicating the number of succeeding lines to be left blank.
- Be inserted in the Assembly File at the point where the spaces are desired.

EJECT

When EJECT is encountered, the assembler generates blank lines on a list device so that any previous lines plus the blank lines equals the specified "page" length (default is 66 lines). It then begins a new "page", headed with the title. On a printer a new page is ejected. The general form is:

Form:

```
EJECT
```

EJECT must:

- Begin on a new line.
- Be followed by a carriage return.

AMDASM

PROGRAM COUNTER CONTROL STATEMENTS

ORG

ORG is used to set a new program counter (PC) origin. The next assembled microword will be located at the new origin. The general form is:

Form:

ORGΔ n

ORG must:

- Be followed by at least one blank and n.
- Have n specified using decimal digits unless one of the designators B#, Q# or H# precedes the digits given.
- Be used only for setting the program counter forward.
- Be greater than or equal to the current value of the program counter.

ORG may:

- Contain an expression instead of n.
- Be used an unlimited number of times in the Assembly File.

If no **ORG** is specified the assembler uses an initial PC of 0.

RES

RES is used to reserve n words of memory. This increments the program counter by n. The reserved words will automatically be filled with "don't cares" by the assembler. The general form is:

Form:

RESΔ n

RES must:

- Be followed by at least one blank and n.
- Have n specified using decimal digits unless one of the designators B#, Q# or H# precedes the digits given.

RES may:

- Contain an expression instead of n.
- Be used an unlimited number of times in the Assembly File.

ALIGN

ALIGN is used to set the program counter to the next value which is an integral multiple of the value n. It is used to align the program counter to a specific boundary such that the next microinstruction will be assembled at an address which is, for example, the next integral multiple of 2, 4, 8 or 16. The general form is:

Form:

ALIGNΔ n

ALIGN must:

- Be followed by at least one blank and n
- Have n specified using decimal digits unless one of the designators B#, Q#, H# precedes the digits given.

ALIGN may:

- Contain an expression instead of n.
- Be used an unlimited number of times in the Assembly File.

CONSTANT DEFINITION STATEMENT

EQU

EQU is used to equate a constant name to a constant value or expression. The general form is:

Form:

name: EQUΔ constant (or expression)

This equates the characters given in the name position to the value of the constant or expression. Only one expression or constant is permitted following the EQU.

Each EQU must:

- Begin on a new line.
- Begin with a name:
- The name: must be followed by EQUΔ (blanks between : and EQU are optional).
- Contain a constant or expression which represents the bit pattern for one field.
- Define a value which can be represented in 16 bits ($2^{16} - 1$ maximum).

Each EQU may:

- Be followed by a semicolon and comment after the constant or expression.
- Be continued on additional lines by using / (slash) as the first non-blank character in these lines.
- Be used in the Assembly File even if defined in the Definition File.
- Be equated to the current value of the program counter by using \$ as the designator. The \$ may be part of an expression.

Examples of EQUs:

ADD:EQUΔQ#0

defines a 3-bit field whose bit pattern is 000.

This could be an ALU function of ADD for the Learning Kit.

PUSH:EQUΔH#9

defines a 4-bit field, bit pattern 1001 which might represent the next microinstruction control field in the Learning Kit.

EXECUTABLE STATEMENTS

Executable statements form the body of the Assembly Phase Program. When assembled (with appropriate substitution of parameters) they form the binary output code of the Assembly Phase. They must be input in an order which corresponds to the desired order of the object code.

EXECUTABLE STATEMENTS USING FORMAT NAMES

Most executable instructions will refer to the format names established by the Definition Phase. Their general form is:

```
Form:
_____  

{label:} format nameΔVFS,VFS  

      (VFS = Variable Field Substitution)
```

These formats may be referenced singly (with appropriate VFSs) or they may be combined (overlaid) with other formats (and their appropriate VFSs). All cases result in the formation of a single, complete microword.

Executable Instruction Statements must:

- Begin on a new line.
- Contain a format name from the Definition Phase.
- Substitute a constant name, a label, a constant, or an expression for each variable field and these must be separated by commas. If a default value was given in the Definition Phase and is to be used, the VFS may be omitted.

Executable Instruction Statements may:

- Contain a single format name or may contain an unlimited number of format names to be overlaid.
- Contain the current value of the program counter as the value for a field if \$ is the VFS used for that field. The \$ may be part of an expression (\$ + n) given for a VFS.
- Be preceded by a label: or a label::

FREE FORMAT STATEMENT FF

Executable statements whose instruction formats were not defined in the Definition Phase may be defined in the Assembly Phase by using the built-in free format command FF. The general form is:

```
Form:
_____  

{ label: } FFΔ field1, field2, . . . , fieldn
```

An Assembly File may contain an unlimited number of FFs.

Each FF must:

- Begin on a new line.
- Contain a / (slash) as the first nonblank character if continued on another line.
- Have fields separated by commas.
- Have an explicit length "n" given for "don't care" fields (nX) or for fields defined using decimal (nD#m).
- Not contain a variable field.
- Not contain a constant name for a field unless that constant has been **previously** defined in the Assembly or Definition File.
- Not be overlaid with another format name.

Each FF may:

- Be preceded by a label : or label ::
- Contain an expression for any field but the expression must be enclosed in parenthesis and must be preceded by the field length "n", for example:
 FFΔ5X,10(\$-5),B#101
- Contain a value for an expression which is to be automatically right justified in a field. However, if the number of bits which represent the value is larger than the field length, an

error is generated unless the truncation follows the) for this expression

- Contain a field whose value is the current value of the program counter by using \$ for that field (or an expression containing \$ may be used).

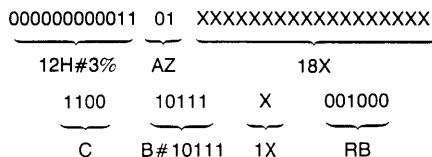
For example, if the constants

```
WORDΔ 48  
AZ: EQUΔB#01  
RB: EQUΔQ#10
```

were defined in the Definition File, then the Assembly File could contain the following statements:

```
C: EQUΔ H#C  
XTRA: FFΔ 12H#3%, AZ, 18X, C, B#10111,  
/1X, RB
```

The microinstruction (binary output) for this FF is:



which will be printed in the following format:

```
00000000011011X XXXXXXXXXXXXXXXXXXXX 110010111X001000
```

OVERLAYING FORMATS

When formats are overlaid (combined) to form a microword, the general form is:

```
Form:
_____  

{label:}format nameΔVFS,VFS, &format nameΔVFS,VFS . . .  

      (VFS = Variable Field Substitution) (& = overlay)
```

Formats may be overlaid (combined) with other formats provided that:

- Each bit of format name (#2) that contains a one or zero, must have that bit specified as a "don't care" in the format name (#1) to be overlaid. Subsequent overlays must be on the "don't care" fields remaining after the overlay of all preceding formats.
- Each format is a full microword in length.

Microword instructions defined using the built-in free format (FF) may **not** be overlaid.

For example, if the Definition File contains:

```
ADD: DEFΔ 5X, 8H#A2, 3X  
REG1: DEFΔ B#00001, 11X  
CARRY: DEFΔ 15X, B#1
```

Then in the Assembly Phase

```
ADRGCY: ADD & REG1 & CARRY  
yields  
00001 10100010 XX1
```

AMDASM

COMMENT STATEMENTS

Comment statements are nonexecutable statements which are used to provide information about the program variables or the program flow. A comment may be a full line or may follow, for example, a constant definition statement. All characters from the semicolon to the end of the input line are not processed and serve merely as a documentation aid. The general form is:

```

_____  

Form:  

_____  

; comment text desired  

_____
    
```

END

END indicates that the Assembly File is complete and should be processed. The general form is:

```

_____  

Form:  

_____  

END  

_____
    
```

END must:

- Begin on a new line.
- Be the last statement in the Assembly File.
- Be followed by a carriage return.

ARGUMENTS

An Argument follows some types of statements as shown in the executable instruction section.

Permissible Arguments are:

- Constants
- Expressions
- Constant names
- Labels

The statements

- LIST
- NOLIST
- END
- EJECT

require no Arguments.

Executable instructions which contain format names from the Definition File need Arguments only if there were no default values given for variable fields. Arguments which are to be substituted in variable fields are called Variable Field Substitutes (VFS).

All other statements types **require** Arguments.

CONSTANTS

Constants are used as Arguments for the commands EQU, ALIGN, RES, SPACE, ORG or as variable field substitutes (VFSs).

Note that in the Assembly File the \$ is used to indicate the substitution of the program counter value for the content of a constant or field. The following table lists the designators which may be used to define constants:

| Designator | Meaning |
|------------|---|
| B# | A constant or field whose content will be represented using binary digits (0 and 1). |
| Q# | A constant or field whose content will be represented using octal digits (0 through 7). |
| D# | A constant or field whose content will be represented using decimal digits (0 through 9). A D# must be preceded by decimal digit(s) giving an explicit length (number of bits) when representing a field in an FF statement. |
| H# | A constant or field whose content will be represented using hexadecimal digits (0 through 9, A through F). |
| \$ | Use the current program counter as the value for this field or constant. |

CONSTANT LENGTHS

Constant lengths were discussed in detail in Chapter I. However, the length associated with the use of the \$ is a special case.

When the \$ is detected in the evaluation of a constant field or expression, the current program counter value is substituted in place of the \$.

If the PC = 59 at the instruction preceding:

```
NEXTLOC: EQU$+5
```

then NEXTLOC is equated to 64.

If the \$ is substituted for a field, the length of the PC is calculated by counting the bits from the right to the leftmost significant one bit. The PC length most probably will not agree with the defined (explicit) field length.

Thus, when defining fields in a format in the Definition Phase or in an FF statement, the fields which are to have \$ substituted in them should include the % and/or the : attributes. For example, the field definition

```
4V%:
```

will permit any PC value to be substituted into it but

```
4V
```

will accept only PC values between 0000₂ and 1111₂.

CONSTANT MODIFIERS

Constants may have modifiers following their given value. They must appear after the constant digits where they may be in any order but will be **processed in the following order**:

| Modifier | Description |
|----------|-----------------------|
| * or - | Inversion or negation |
| % | Right justification |
| : | Left truncation |
| \$ | Paging |

A constant may not be modified by both inversion and negation.

If a constant, including modifiers, is given as a VFS, any attributes (permanent modifiers) given for that field in the Definition File will also modify the value of the constant given.

If, for example the Definition File contains:

```
A: DEFΔ 5X, 3V*, 2X, 5V%H#, B#10101
           field#1  field#2
```

and the Assembly File is written:

```
TEST: AΔ011,9
```

the binary value 011 is inverted and substituted for field #1, while the 9 (hex) is equated to binary 1001 and right justified for field#2 resulting in the microinstruction

```
XXXXX 100 XX 01001 10101
```

If the Assembly File statement is written

```
TEST2: AΔ001* , 3*
```

the binary value 001 is inverted by the current *, then inverted again by the attribute in the Definition File for field#1. Field#2 hex 3 (binary 0011) is inverted to 1100 and right justified in field#2.

The complete microinstruction is:

```
XXXXX 001 XX 01100 10101
```

EXPRESSIONS

Expressions may be used when the programmer wishes to have a value calculated as an argument or as a field substitution. An expression assumes the form:

Form:

Symbol operator symbol operator . . .

All expressions:

- Are evaluated using integer arithmetic and remainders are discarded
- Must result in a positive value which can be represented in 16 bits ($2^{16} - 1$ maximum).
- Use only the operators, + addition, - subtraction, * multiplication, /division, which are described in Chapter II, page 5.
- Are evaluated in strict left to right sequence. There is no hierarchy for the operators and no parenthesis for nesting are permitted.
- May contain the \$ as a symbol to indicate that the current value of the program counter is to be substituted.
- Are terminated by a comma or the end of the line except when used as a field in FF where they are enclosed by parenthesis.
- May be continued on the next line by making the first nonblank character a slash (/). A continuation involving a division would thus require a double slash (//).
- May contain constants, constant names or labels.

For example, if SBB is a format name, and the first variable field is to contain the value 3, it might be written as:

```
SBBΔ1 + 2
```

which is the same as SBBΔ3 (1 and 2 are expression symbols, + is an expression operator). The expression

```
JMPΔ$ - 5
```

yields the current value of the program counter minus 5 as the VFS for the first variable field in the format name JMP. (\$ and 5 are expression symbols, - is an expression operator). The expression

```
EIGHT: EQUΔ 2*2*2
```

means EIGHT = 8 (2's are the expression symbols, *'s are the operators).

EXAMPLES OF CORRECT CONSTANT USAGE

```
QREG:EQUΔQ#0
.
.
.
AQ:EQUΔQREG
DQ:EQUΔ4+8/6 (value = 2)
AB:EQUΔQREG+1
AM2901:DEFΔ4V%D#,5X,AQ,3V,17X
} Definition File

EXOR:EQUΔQREG+6
BEGIN:AM2901Δ$+2,EXOR
      AM2901Δ$-1,AB
} Assembly File
```

VARIABLE FIELD SUBSTITUTES (VFS)

When a format is defined in the Definition File some of its fields may be designated as variable fields. If these fields are not given a default value during their definition or if one wishes to override the default value, a substitution must be made for these field(s) in the Assembly File source statements. These substitutes are called Variable Field Substitutes, VFS.

REQUIRED SUBSTITUTIONS

If the variable field(s) are not given default values in the Definition File, values for these fields **must** be provided in the Assembly File source statements. If omitted, an error message will be provided, and processing of that statement ends.

SUBSTITUTION SEPARATORS

Each VFS (whether required or optional) represents a single field and must be separated from other VFSs by a comma. Trailing commas may be omitted but the assembler uses the commas to indicate which fields are to be given substitute values (i.e., VFSs are positional and position is determined by the number of commas), so leading or intermediate commas must be given.

For example if the Definition File contains:

```
A: DEFΔ 5X, 3V*B#110, 2X, 5V%H#, B#10101
           field #1      field #2
```

AMDASM

Then if the Assembly File is written as

TEST3: AΔ,4

field # 1 will assume the default value 001 (from 3V*B#110) while field #2 will be equated to 0100 and right justified in the 5-bit field so that field #2 is 00100.

The complete microinstruction will be

XXXXX 001 XX 00100 10101

If the comma were omitted and

TEST4: AΔ4

were written, the assembler would try to use 4 as the VFS for field # 1. Two errors are present. The 4 is not a binary number as required for field # 1, and no value is indicated for field #2. Field #2 had no explicit default value, and no VFS is given which is an error. The indicated error would be "illegal character," since the 4 is assumed to go with field # 1 which requires binary digits.

If, however, the user wishes to input field#1 as an octal 4 and field#2 as zero, he could write:

TEST5: AΔQ#4,0

which yields the microinstruction

XXXXX 011 XX 00000 10101
 octal 4 hex 0
 inverted right-
 justified

In short, when forming the microword definition, if a leading or intermediate variable field is to assume a default value but a trailing field requires a VFS, each field to be skipped must be represented by a comma.

This is best explained by an example. Assume a format ADE with three variable fields, each having a default value of zero specified in the Definition File:

ADE: DEFΔ 3VB#000, 3VB#000, 3VB#000

The following example illustrates fields which assume their default values and fields which are given override or substitute values.

| Instruction | Resultant Microword Definition | Meaning |
|---|--------------------------------|--|
| TEST6: ADEΔ,,010 or TEST7: ADEΔ,Q#2 | 000 000 010 | Fields 1 and 2 assume their default values, field 3 contains 010. |
| TEST8: ADEΔQ#4,,B#101 | 100 000 101 | Field 2 assumes its default value, field 1 is 100, field 3 is 101. |
| TEST9: ADEΔ011 | 011 000 000 | Fields 2 and 3 assume their default values, field 1 is 011. |

If the variable field substitutions contain modifiers, using the Definition File statement:

ADE: DEFΔ 3VB#000, 3VB#000, 3VB#000

the Assembly File statements for the previous example could be written:

| Instruction | Resultant Microword Definition | Meaning |
|--------------------|--------------------------------|--|
| TEST10: ADEΔ,,101* | 000 000 010 | Fields 1 and 2 assume their default values. Field 3 is 101 inverted. |
| TEST11: ADEΔH#4: | 100 000 000 | Field 1 is hex 4 (binary 0100) truncated to 100. Fields 2 and 3 assume their default values. |

The variable fields may contain attributes in the Definition File such as:

ADE: DEFΔ 3V:H#0,3V*B#000, 3V%B#000

The Assembly File Statements written below now generate:

| Instruction | Resultant Microword Definition | Meaning |
|-----------------------|--------------------------------|--|
| TEST12: ADEΔ,,01* | 000 111 010 | Field 1 assumes its default value 000. Field 2 assumes its default value 111. (000 inverted). Field 3 is inverted to 10 then right justified to be 010. |
| TEST13: ADEΔ9, Q#3*,1 | 001 011 001 | Field 1 is hex 9 truncated to 001. Field 2 is octal 3 inverted to 100, then inverted by field #2 attribute (*) to 011. Field 3 is binary 1 right justified to 001. |

FITTING VARIABLE SUBSTITUTES TO VARIABLE FIELDS

Any value given as a Variable Field Substitute (VFS) must contain exactly the number of bits specified (in the Definition File) for the total length of the variable field unless the modifiers % (right justification), : (truncation), or \$ (paged addressing) are given.

These modifiers may be supplied as attributes with the original field definition (Definition File) or they may be supplied with the field substitution value in the Assembly File.

PAGED AND RELATIVE ADDRESSING

\$ is used in two ways in the Assembly File:

- To indicate that the current value of the program counter is the value to be substituted into this field. This is called relative addressing.
- As an attribute to indicate that the value substituted for this field must be on the same memory "page" as the microword into which it is substituted. This is called paged addressing.

For relative addressing, the \$ alone or as part of an expression is used as a VFS.

For paged addressing, the \$ may be given as an attribute of this variable field in the Definition File, or the \$ may immediately follow the VFS in the Assembly File source statement.

For example, if the Definition File contains

```
JSR:DEFΔ8X,8V$, H# 27, 12VH#
JSB:DEFΔ8V%D#, 8X, 8Q#013:, 12X
```

the Assembly File could be written

```
Line#
1 JSR Δ BEGIN,0BC
2 JSB Δ MULT$+5
3 JSR Δ MULT, BEGINS
4 JSB Δ H#37
5 JSB Δ $+5
.
.
.
BEGIN: ADD
.
.
.
MULT: MPY
```

Lines 1-3 are examples of \$ used for paged addressing. In Line 1, the value of the program counter (where BEGIN: appears) is substituted into the first variable field of the format JSR. This value is truncated on the left, if necessary, to fit into this 8-bit field, and any truncated left bits must be identical to the corresponding bits of the program counter associated with Line 1.

The same type of substitution, truncation, etc. occurs for Lines 2 and 3.

Note that:

- The JSB on line 2 needs a \$ after MULT if paged addressing is desired since no \$ was given with that variable field in the Definition File.
- For expressions such as line 5, the constant (5) is added to the value of the label (MULT) **before** the check is made to ensure that the value substituted is still on the correct "page".
- The JSR on line 1 needs no \$ with the BEGIN since that variable field contained a \$ in the Definition File.
- The JSR on line 3 requires a \$ after BEGIN since the second variable field did not contain a \$ in the Definition File.
- On line 2 a label with a \$ may be part of an expression.

Line 5 is an example of relative addressing. The current value of the program counter plus 5 will be substituted for the variable field.

Note that:

- There is no connection between the \$ used for paged addressing – as an attribute for a variable field – and the \$ used as a variable field substitute to indicate use of the current value of the program counter (relative addressing).

HEXADECIMAL ATTRIBUTE

The designator H#, if given with a variable field in the Definition File, is a permanent attribute but may need to be repeated in the Assembly File. This is necessary since the program cannot distinguish a hexadecimal value which begins with an A through F from a label or format name.

Thus, if the Definition File contains

```
AM2901:DEFΔ8V%H#,Q#0,21X
```

and the Assembly File statement contains

```
AM2901Δ3A
```

it is clear to the program that the digits 3A are to be substituted into the variable field. (A label or name cannot begin with a numeral).

However, the statement:

```
AM2901ΔAB
```

does not clearly indicate whether the constant name AB is meant, or the value of the hexadecimal digits AB is meant. If the programmer wishes the hex value AB, he must write:

```
AM2901ΔH#AB
```

The statement AM2901ΔAB will substitute the value of the constant named AB in the first variable field. If there is no constant named AB, an error will be generated.

ASSEMBLER SYMBOL TABLE

The symbol table contains a list of all the symbols (constant names) defined by EQUs and all labels in the Assembly File. The symbol table also includes all the constant names and their associated values defined using EQUs in the Definition File.

For each symbol, the table lists the label and the program counter value of the statement where the label is defined, or if the symbol is a constant name (defined by EQU), it is followed by the value of the constant.

A symbol table is useful when errors occur due to misspelling or the omission of the colon after a label.

A sample symbol table is:

```
SYMBOLS
A      0001
S      0023
X      0000
```

Printing of the Symbol Table is optional and is described in the SYMBOL and NOSYMBOL section of Table 4-1.

ASSEMBLER ENTRY POINT TABLE

The entry point table contains a list of all the entry point symbols (labels followed by ::) and their associated program counters. These values are useful for mapping PROMs.

Printing of the entry point table is optional and is described in the MAP and NOMAP section of Table 4-1.

ASSEMBLY FILE – RESERVED WORDS

The following are reserved words used by the assembler program during the Assembly Phase. These words MAY NOT BE USED AS LABELS in the Assembly File statements:

| | |
|-------|--------|
| ALIGN | NOLIST |
| EJECT | ORG |
| END | RES |
| FF | SPACE |
| LIST | TITLE |

Format names or constant names from the Definition File.

AMDASM

CHAPTER IV

AMDASM/80 EXECUTION

After the user has created his Definition File and Assembly File using the MDS Text Editor, he is ready to execute AMDASM/80. After the ISIS[®] operating system has issued a user prompt (i.e., a “_” character) the microassembler is executed by entering the command:

–AMDASMD PHASEn(filename) Δ { options }

PHASE1 (filename) specifies execution of the Definition Phase using (filename) for the definition source file.

PHASE2 (filename) specifies execution of the Assembly Phase using (filename) as the assembly source file.

PHASE1 (filename) PHASE2 (filename) specifies execution of both the Definition and Assembly Phases.

Thus

–AMDASMD PHASE1(:F1:DEFN) specifies execution of only the Definition Phase using the file (on drive 1) called DEFN.

or

–AMDASMD PHASE1(:F1:DEFN) PHASE2(:F1:ASMSRC)

specifies execution of the Definition and Assembly Phases using the files (on drive 1) DEFN as the definition source file and ASMSRC as the assembly source file.

Either PHASE1 or PHASE2 or both **must** be specified following AMDASMD. P1 and P2 are the alternate options used for PHASE1 and PHASE2, respectively.

The user then enters the desired options. Options and their default values are shown in Table 4-1. The full option may be typed (OBJECT) but only the alternate option (O) need be typed.

Table 4-1 AMDASM/80 Options

| OPTION | ALTERNATE OPTION | DEFAULT | MEANING |
|-------------------|------------------|--------------|---|
| DEF (filename) | D | (AMDASM.DEF) | Specifies the name of the file where output of the Definition Phase is to be stored. When only PHASE2 is executed, this specifies the input file which contains the processed definitions. If no DEF (filename) is given, the default name AMDASM.DEF will be used. |
| LIST (filename) | L | (AMDASM.LST) | Specifies where the Definition and Assembly output is to go. (:LP:) for the filename causes the output to be listed on the line printer. If no LIST (filename) is given, the output goes to the file with the default name (AMDASM.LST) |
| NOLIST | NL | | Suppresses listing of assembly source code. |
| OBJECT (filename) | O | (AMDASM.OBJ) | Specifies that the microcode (object code) is to be output on a file with the name (filename). If not given, the microcode is placed on a file with the default name AMDASM.OBJ. |
| NOOBJECT | NO | | Suppresses placement of the microcode onto a file. If block format printing is requested, the object code printing is also suppressed. |
| INTER | IL | BLOCK | Specifies inter-leaved listing format. |
| BLOCK | BL | | Specifies blocked listing format |
| SRONLY | SO | | Specifies source-only listing format |
| OBJONLY | OB | | Specifies object-only listing format |
| WIDTH (n) | W | n=72 | Specifies width n, (a decimal number) in characters of listing device. |
| LINES (n) | LN | n=66 | Specifies number n, (a decimal number) of lines per page. If not specified, default is 66 lines (11 inches). |
| MAP | M | MAP | Specifies listing of entry point symbols (i.e., label symbols designated as entry points by double colons "::") |
| NOMAP | NM | | Suppresses listing of entry point symbols. If not specified, defaults to MAP |
| HEX | H | HEX | Specifies listing of location counter in hexadecimal format |
| OCTAL | Q | | Specifies listing of location counter in octal format. If not specified defaults to HEX. |
| SYMBOL | S | SYMBOL | Specifies listing of constant names and labels and their associated values. |
| NOSYMBOL | NS | | Suppresses listing of Symbol table. If not specified, defaults to SYMBOL. |

In the option table (Table 4-1), **filename** must be an ISIS filename of the form:

:device:name.ext

where: :device: is optional and is :F0:, :F1:, :F2:, or :F3: to indicate the drive on which the diskette is mounted. If omitted, :F0: is assumed.

name is from 1 to 6 uppercase letters or digits and is required.

.ext is a period followed by 1 to 3 uppercase letters or digits and is optional.

Options need to be separated by at least one blank character from other options in the command. If an option ends with), the blank space is not needed.

Whenever a user does not specify an option in his execution command AMDASM will use the default given in the preceding table.

The command language for executing AMDASM is best illustrated with examples:

–AMDASMΔP1(DEFN.SRC)P2(MUCODE.SRC)

specifies execution of both PHASE 1 and PHASE 2 using DEFN.SRC as the input file for PHASE 1 and MUCODE.SRC for PHASE 2. Defaults are selected for all other options.

–AMDASMΔPHASE1 (DEFN.SRC) DEF (AM9080.DEF)

specifies execution of PHASE 1 with DEFN.SRC as the input source file and AM9080.DEF as the definition table output file.

–AMDASMΔPHASE2 (MUCODE.SRC) DEF(AM9080.DEF)
INTERΔNOSYMBOL

specifies execution of PHASE 2 with MUCODE.SRC as the input source file and AM9080.DEF as the definition table input file, interleaved listing format, a list of entry point symbols, and no symbol table listing.

The interleaved format prints a line of source code followed by a line of object code.

The block format prints all lines of source code, then all lines of object code.

The source-only format prints only the source code.

The object-only format prints only the object code.

CHAPTER V

SAMPLE OF AMDASM PROCESSING

The capabilities of AMDASM/80 can be demonstrated by micro-programming one of the exercises from the Am2900 Learning and Evaluation Kit. This kit provides a simple but complete example of a microprogrammed system.

The architecture of the kit is shown in Figure 5-1. The dashed lines outline the two LSI components, the Am2909 microprogram sequencer and the Am2901 four-bit slice microprocessor. Each microinstruction in the microprogram memory consists of 32 bits

divided into fields to control the sequencer, branch address, shift multiplexers, and all the inputs to the Am2901. The fields and their functions are defined in Figure 5-2.

The first step in using AMDASM/80 is the creation of a set of definitions which reflect the hardware on which the microprogram will run. The statements in Figure 5-3 completely define, mnemonically, the fields in the kit. That is, they implement exactly the fields and their functions for the microprocessor architecture defined in Figure 5-1, and so may be used in writing all microprograms that are to operate in this architecture. Figure 5-4 shows a flow chart of the program to be written. Figure 5-5 is the AMDASM output in Block format.

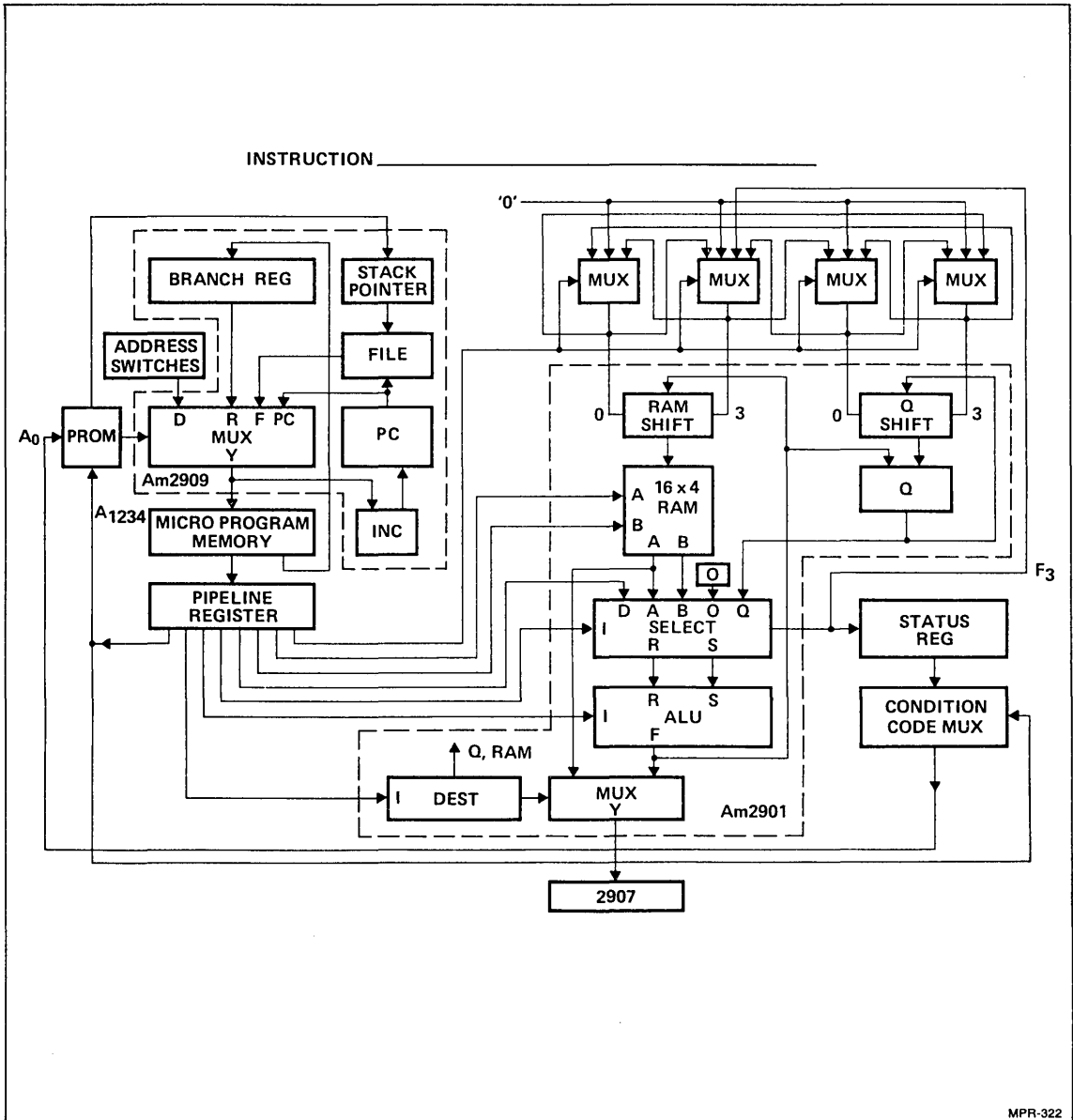
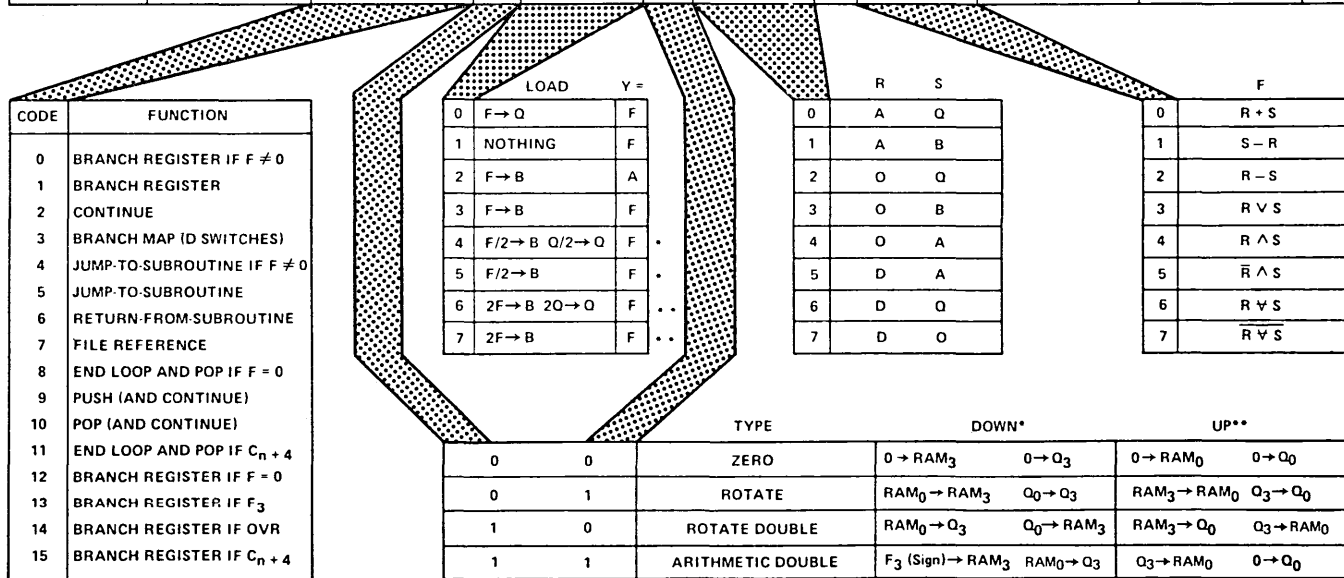


Figure 5-1. Am2900 Learning and Evaluation Kit Architecture

| | | | | | | | | | | | | | | | | | | | | | | | | | | | | | | | | | | | |
|------------------|-----------------|-----------------|-----------------|-----------------|----------------------------|----------------|----------------|----------------|------------------|---------------------|----------------|----------------|------------------|------------------|----------------|----------------|----------------|----------------|----------------|----------------|----------------|----------------|----------------|----------------|----------------|----------------|----------------|----------------|----------------|----------------|----------------|----------------|--|--|--|
| RAM & MUX SELECT | 7 | | | | 6 | | | | 5 | | | | 4 | | | | 3 | | | | 2 | | | | 1 | | | | 0 | | | | | | |
| RAM LOCATION | U9 | | | | U7 | | | | U8 | | | | U6 | | | | U5 | | | | U4 | | | | U3 | | | | U2 | | | | | | |
| BIT NUMBER | 31 | 30 | 29 | 28 | 27 | 26 | 25 | 24 | 23 | 22 | 21 | 20 | 19 | 18 | 17 | 16 | 15 | 14 | 13 | 12 | 11 | 10 | 9 | 8 | 7 | 6 | 5 | 4 | 3 | 2 | 1 | 0 | | | |
| BIT DEFINITION | BR ₃ | BR ₂ | BR ₁ | BR ₀ | P ₃ | P ₂ | P ₁ | P ₀ | MUX ₁ | I ₈ | I ₇ | I ₆ | MUX ₀ | I ₂ | I ₁ | I ₀ | C _n | I ₅ | I ₄ | I ₃ | A ₃ | A ₂ | A ₁ | A ₀ | B ₃ | B ₂ | B ₁ | B ₀ | D ₃ | D ₂ | D ₁ | D ₀ | | | |
| FIELD DEFINITION | BRANCH ADDRESS | | | | NEXT μ INSTRUCTION CONTROL | | | | MUX ₁ | DESTINATION CONTROL | | | | MUX ₀ | SOURCE SELECT | | | | C _n | ALU | | | | "A" | | | | "B" | | | | "D" | | | |



MPR-323

Figure 5-2. Example of Fields and Functions

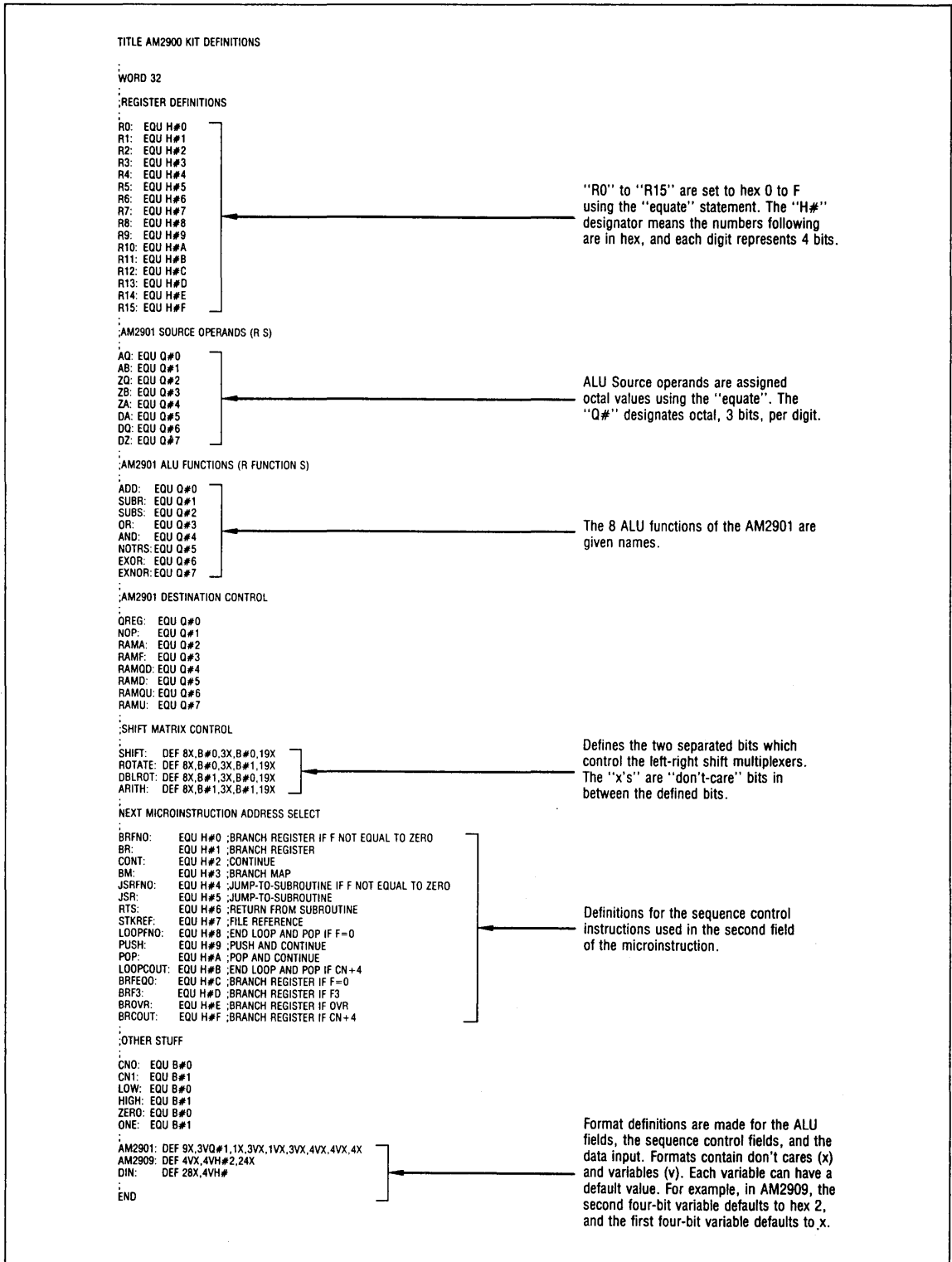


Figure 5-3. Definition File

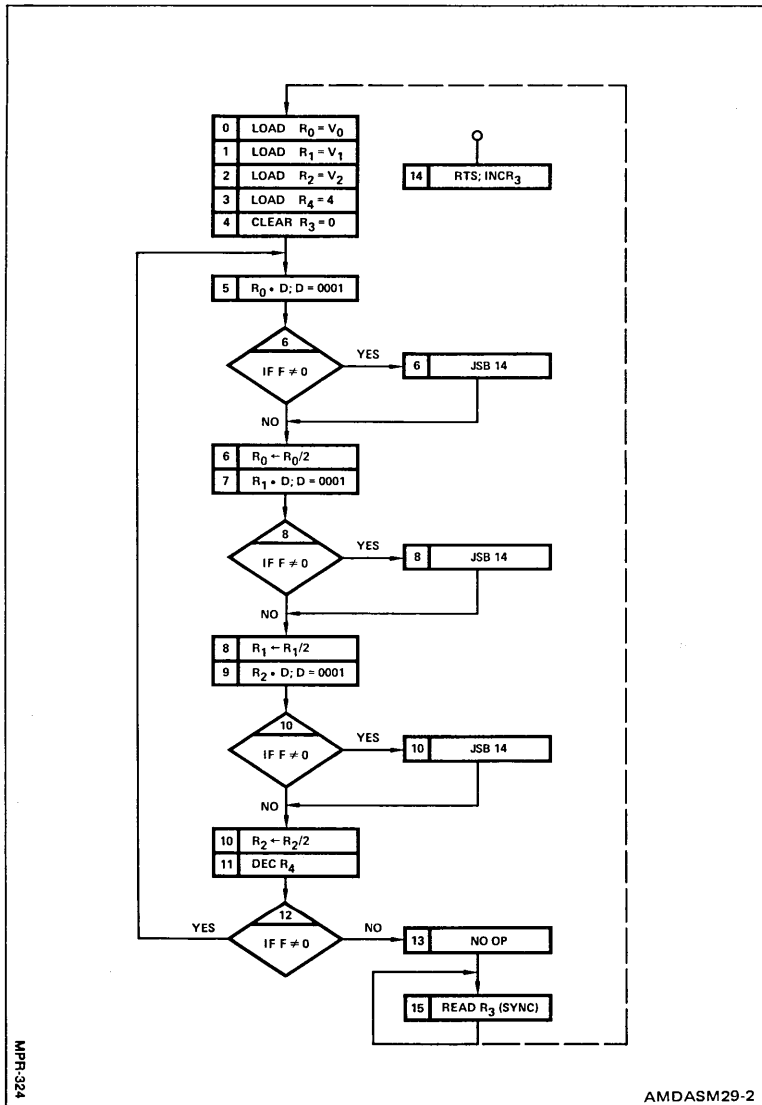


Figure 5-4. Flow Chart of Example

```

0000 AM2909 & AM2901 RAMF, DZ,,OR,,R0 & DIN H#F
0001 AM2909 & AM2901 RAMF, DZ,,OR,,R1 & DIN 9
0002 AM2909 & AM2901 RAMF, DZ,,OR,,R2 & DIN 0
0003 AM2909 & AM2901 RAMF, DZ,,OR,,R4 & DIN 4
0004 AM2909 & AM2901 RAMF, ZB,,AND,,R3
0005 A5: AM2909 & AM2901 ,DA,,AND,R0,R0 & DIN 1
0006 AM2909 A14,JSRFN0 & AM2901 RAMD, ZB,,OR,,R0
0007 AM2909 & AM2901 ,DA,,AND,R1,R1 & DIN 1
0008 AM2909 A14,JSRFN0 & AM2901 RAMD, ZB,,OR,,R1
0009 AM2909 & AM2901 ,DA,,AND,R2,R2 & DIN 1
000A AM2909 A14,JSRFN0 & AM2901 RAMD, ZB,,OR,,R2
000B AM2909 & AM2901 RAMF, ZB, CN0,SUBR,,R4
000C AM2909 A5,BRFN0 & AM2901
000D AM2909 A15,BR & AM2901
000E A14: AM2909 ,RTS & AM2901 RAMF, ZB,CN1,ADD,,R3
000F A15: AM2909 A15,BR & AM2901 ,ZB,,OR,,R3
END

```

```

0000 XXXX0010X011X111 X011XXXX00001111
0001 XXXX0010X011X111 X011XXXX00011001
0002 XXXX0010X011X111 X011XXXX00100000
0003 XXXX0010X011X111 X011XXXX01200100
0004 XXXX0010X011X011 X100XXXX0011XXXX
0005 XXXX0010X001X101 X100000000000001
0006 11100100X101X011 X011XXXX0000XXXX
0007 XXXX0010X001X101 X100000100010001
0008 11100100X101X011 X011XXXX0001XXXX
0009 XXXX0010X001X101 X100001000100001
000A 11100100X101X011 X011XXXX0010XXXX
000B XXXX0010X011X011 0001XXXX0100XXXX
000C 01010000X001XXXX XXXXXXXXXXXXXXXXX
000D 11110001X001XXXX XXXXXXXXXXXXXXXXX
000E XXXX0110X011X011 1000XXXX0011XXXX
000F 11110001X001X011 X011XXXX0011XXXX

```

Figure 5-5. Assembly Output in Block Format

CHAPTER VI

AMPROM/80 POST PROCESSING

When a user has completed an AMDASM assembly, he may wish to output his binary object code in a form which corresponds with his PROMs' organization and/or he may wish to punch the object code from his program onto paper tapes to be used as input to a PROM burner.

In order to understand post processing one must know how the PROMs are organized in the computer memory space.

PROM ORGANIZATION

If AMDASM/80 has been executed using the command

```
-AMDASMΔP1(DEF)P2(ASM)O(PRMOUT)L(:LP:)
```

AMDASM generates binary object code for the executable statements in the file named ASM.

This binary object code is output to a file called PRMOUT.

For our example we shall assume that the microword is 48 bits wide and the number of executable statements is 1024.

This gives us a matrix 48 wide by 1024 deep as shown in Figure 6-1.

| Bit No. | 1 | 2 | 3 | 4 | | 48 |
|-------------|------|---|---|---|-------|----|
| Executable | 1 | | | | | |
| Instruction | 2 | | | | | |
| Number | 3 | | | | | |
| | 4 | | | | | |
| | . | | | | | |
| | . | | | | | |
| | . | | | | | |
| | 1024 | | | | | |

Figure 6-1. Bit Matrix

After PROM width and depth are specified, the Bit Matrix is subdivided to yield a PROM Map where each PROM is n bits wide by m bits deep. If we assume that the program origin is zero for our example, the actual PROM MAP printed might appear as shown in Figure 6-2.

| | PC | C1 | C2 | C3 | C4 | C5 | C6 | C7 | |
|----|------|----|----|----|----|----|----|----|---------------|
| R1 | 0000 | 1 | 2 | 3 | 4 | 5 | 6 | 7 | } PROM No. |
| R2 | 0100 | 8 | 9 | 10 | 11 | 12 | 13 | 14 | |
| R3 | 0300 | 15 | 16 | 17 | 18 | 19 | 20 | 21 | |
| R4 | 0380 | 22 | 23 | 24 | 25 | 26 | 27 | 28 | |

where

PC represents the initial program counter value for that PROM row. The PC value is given in hexadecimal.

Figure 6-2. Sample PROM MAP.

For the example, PROMs shall be organized as shown in Figure 6-3.

Each executable instruction naturally has a program counter associated with it by virtue of its position in the program and/or the origin(s) that were set during the assembly execution.

This breakup of the matrix is now called a PROM map which has associated with it, not only the PROMs shown, but rows and columns as shown in Figure 6-3. Thus, we may now refer to PROM 19 by using the digits 19, or by referencing R3 for Row 3 and C5 for Column 5.

As shown in Figure 6-4, all PROMs in Row 1 are 256 (instructions) deep, but PROMs 1, 3, 5, and 6 are only 4 bits wide, while PROMs 2 and 7 are 8 bits wide and PROM 4 is 16 bits wide.

In Row 2, all PROMs are 512 (instructions) deep and PROMs 8, 10, 12 and 13 are 4 bits wide, PROMs 9 and 14 are 8 bits wide and PROM 11 is 16 bits wide.

Rows 3 and 4 are each 128 (instructions) deep; PROMs 15, 22, 17, 24, 19, 26, 20, and 27 are 4 bits wide; PROMs 16, 23, 21, and 28 are 8 bits wide; and PROMs 18 and 25 are 16 bits wide.

If the user requests printing (or punching) of PROM # 1 he will obtain data that is 4 by 256.

If the user requests printing of Row 3, he will obtain data (i.e., the contents of PROMs 15 through 21) in the following form:

4 X 128, 8 X 128, 4 X 128, 16 X 128, 4 X 128, 4 X 128, 8 X 128

If the user requests printing of Column 4 he will obtain data (i.e., the contents of PROMs 4, 11, 18, and 25) that is:

16 X 256, 16 X 512, 16 X 128, 16 X 128

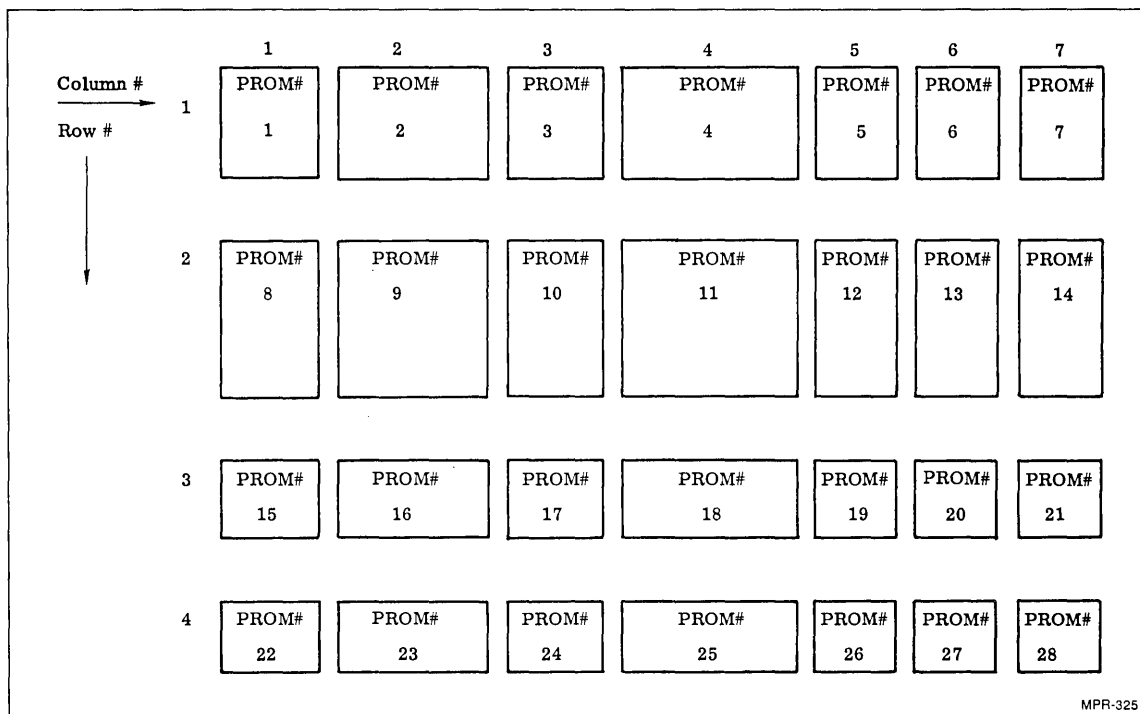


Figure 6-3. PROM MAP

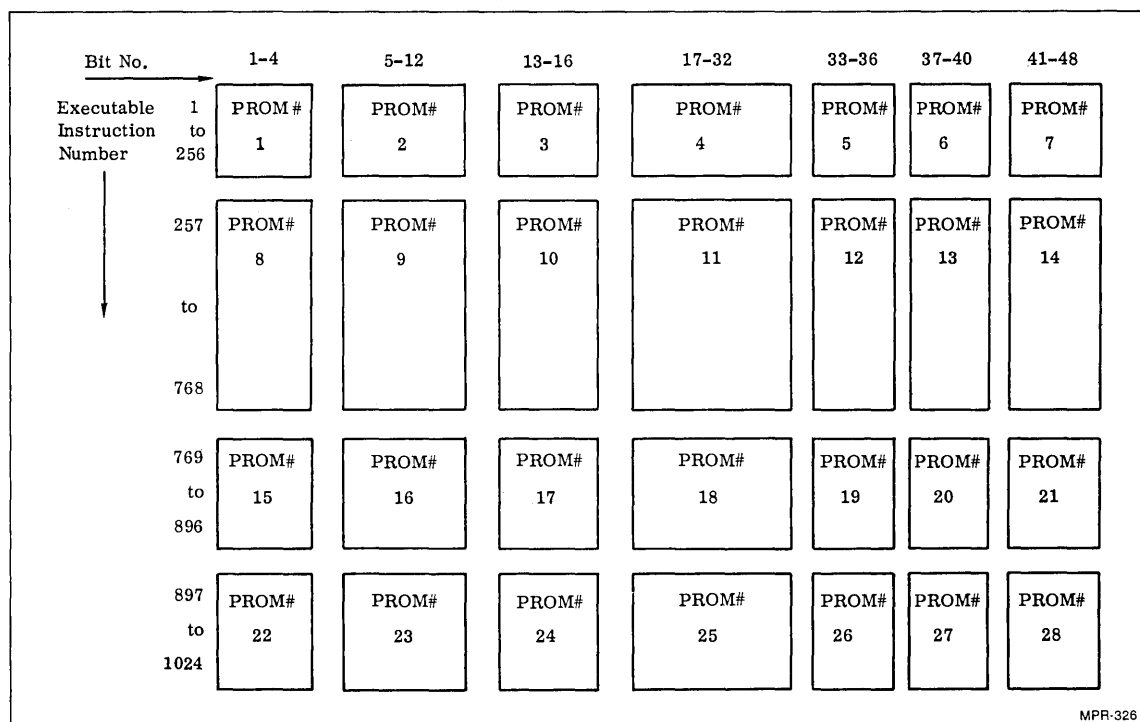


Figure 6-4. Organization of PROMs

AMDASM

POST PROCESSING FEATURES

AMPROM/80 allows the user to specify:

- The depth (number of instructions) and width (bits of the microword) for each PROM.
- Listing or suppression of listing of the PROM MAP.
- The PROMs to be punched or not punched on paper tape in BNPF or hexadecimal format.
- Listing or suppression of listing of PROM contents.
- Listing of the PROM contents by PROM rows or PROM columns or by PROM number.
- Optional automatic inversion of all bits except the "don't care" bits.
- Specification of "don't care" bits to be 0 or 1.

EXECUTION OF AMPROM

To execute AMPROM the general form of the command is:

–AMPROM { Δoption }

To illustrate execution of AMPROM, the command

–AMPROM Δ PUNCH (:HP:) Δ LIST (:LP:) HEX

specifies the PROM MAP is to be printed, the content of the PROMs is to be printed, and the content of the PROMs is to be punched in hexadecimal.

However,

–AMPROM Δ NOLIST Δ NOMAP Δ PUNCH (:HP:)

specifies that the content of PROMs is to be punched with no listing of the PROM MAP or PROM content.

Both examples assume the AMPROM input (AMDASM output) is on the default file named AMDASM.OBJ.

Note that each option specified is preceded by a space, the options may be given in any order, and the full option name or the alternate name may be used.

**Table 6-1
AMPROM/80 Options**

| OPTION | ABBREVIATED OPTION | DEFAULT | MEANING |
|-------------------|--------------------|--------------|---|
| MAP | M | MAP | Print the PROM map. |
| NOMAP | NM | | Suppress printing the PROM map. If NOMAP is not specified, the program automatically prints the PROM map. |
| HEX | H | HEX | Punch the PROM output in hexadecimal format. |
| BNPF | B | | Punch the PROM output in BNPF format. If BNPF is not specified the output is automatically punched in hexadecimal |
| INVERT | I | No Inversion | If INVERT is specified, all ones are inverted to zeros, and zeros to ones, except for bits specified as "don't cares". If INVERT is not specified there is no modification of the binary object code. |
| OBJECT (filename) | O | (AMDASM.OBJ) | Specifies the name of the file on which the AMDASM object code is located. If not specified, a default file named AMDASM.OBJ is assumed. |
| PUNCH (filename) | P | (AMPROM.OUT) | Specifies the name of the file or device where punch data is to be output. If not specified the output goes to the file with the default name AMPROM.OUT. |
| NOPUNCH | NP | | Suppresses punching the PROM contents. If not specified, defaults to PUNCH. |
| LIST (filename) | L | (AMPROM.LST) | Specifies the name of the output file or device where the AMPROM output listing is to be placed. If not specified, the output automatically goes to the default file named AMPROM.LST. |
| NOLIST | NL | | Specifies that the output is not to be listed. This would be used when only punching of the output is desired. If not specified the program defaults to LIST using the default filename AMPROM.LST. |

AMPROM FILENAMES

As part of `-AMPROMΔ { options }` the user may need to specify filename information. Whether filename information is needed will depend on whether or not he specified a filename for the binary output when AMDASM was executed [`OBJECT (filename)`] and whether the user wishes to receive his output at a printer, console or punched on paper tape.

Possible options are shown in Table 6-1.

The `OBJECT (filename)`, `PUNCH (filename)` and `LIST (filename)` must each be preceded by a blank and may be specified in any order. The filename may be any ISIS[®] device.

If, for example, the user executed AMDASM with the command:

```
-AMDASMΔ PHASE1 (DEF) PHASE2 (ASM) OBJECT (PRMOUT)
```

the binary object code is stored on a file called `PRMOUT`.

In this case when executing AMPROM, `PRMOUT` must be given as the input filename.

```
-AMPROMΔ OBJECT (PRMOUT)
```

and since no `LIST` or `PUNCH` is specified, all output will be to the default filenames.

If the user executes AMDASM with the command

```
-AMDASMΔ PHASE1 (DEF) PHASE2 (ASM)
```

the binary object code is output to the **default file** called `AMDASM.OBJ`.

AMPROM assumes the binary object code is stored on a file named `AMDASM.OBJ` if no input filename is given (i.e., the AMPROM input default filename is `AMDASM.OBJ`). Thus, in this example, the command

```
-AMPROM
```

will cause AMPROM to be executed and specifies (by default) that the binary object code is to be input from a file named `AMDASM.OBJ`.

The command

```
-AMPROMΔ NOLISTΔ PUNCH (PRMPNC) OBJECT (PRMDAT)
```

specifies that listing of the PROM content is to be suppressed, the output for punching a paper tape is to be written on a file called `PRMPNC`, and the input (binary object code) for execution of AMPROM is to be from a file called `PRMDAT`.

This assumes the AMDASM output was stored on a file called `PRMDAT`.

Note that the options may be given in any order desired by the user.

REQUIRED AMPROM INPUT

Once AMPROM has begun execution the user will be acting interactively with the console. He will receive messages from the console and will be expected to input responses followed by a carriage return. The terminal will print the requested output or a message requesting additional input. When execution is complete, control returns to ISIS[®].

A sample of the console messages is given below. For this example, underlined letters are used to illustrate the user's input. Following the example is a table of the substitutes which may be used for these letters.

To begin execution the user has input `-AMPROM`. The terminal responds by printing:

```
DON'T CARES? Z
```

For example,

```
DON'T CARES? 1
ENTER PROM WIDTH(S) W
```

For example

```
ENTER PROM WIDTHS 4*8, 4
ENTER PROM DEPTH(S): D
```

For example,

```
ENTER PROM DEPTHS 128
```

If a MAP listing at the output device is requested the PROM map is output here. Then the console prints

```
WHICH PROMS DO YOU WISH TO PRINT? Q
```

For example,

```
WHICH PROMS DO YOU WISH TO PRINT? 5-7
```

If printing of the PROM content was specified, the PROM content is printed here. These same PROMS will be punched unless `NOPUNCH` was specified. The punch device should be turned on before keying in the PROMS to be printed and punched.

When paper tape punching is completed, control is returned to ISIS[®].

INPUT SUBSTITUTES

When the terminal requests information the substitutes permitted are shown in Table 6-2.

**Table 6-2.
AMPROM Input Substitutes**

| Console Prompt | Substitutes | Meaning |
|-------------------------------------|--|--|
| DON'T CARES? | 0 or 1 | The value specified here is assigned to all "don't care" bits in the PROM(s). Any value except 0 or 1 is an error and the prompt is repeated. |
| ENTER PROM WIDTHS | n | n is a decimal integer and each PROM is n bits wide. If the microword size is 60 and n is given as 8, 8 PROMs will be generated. The first seven will contain actual microword information but the 8th PROM will contain microword information in its leftmost 4 bits and "don't cares" in the 4 right-hand bits. (i.e., if the microword width is not an even multiple of n, it is padded on the right with "don't cares"). |
| | l*b | l is a decimal integer indicating a number of PROMs. b is a decimal integer indicating the number of bits wide each of these PROMs should be Thus, 3 * 4 means there are 3 PROMs each 4 bits wide. |
| | Combinations of n and l*b | For the PROM MAP (Figure 6-4), the user would write 4, 8, 4, 16, 2*4, 8. Any combination of n and l*b is permissible if separated by commas and if the total number of bits is greater than or equal to the microword width. |
| ENTER PROM DEPTHS | r | r is a decimal integer and each PROM is r instructions deep (long). If the binary object code is not an even multiple of r, AMPROM fills the final PROM locations with "don't cares". |
| | t*d | t is a decimal integer indicating a number of PROMs. d is a decimal integer indicating how many words deep each of these PROMs is to be. Thus 2 * 512 indicates there are 2 PROMs each 512 bits deep. |
| | Combinations of r and t*d | For the PROM MAP in Figure 6-4, the user would write 256, 512, 2*128. Any combination of r and t*d is permissible if separated by commas. |
| WHICH PROMS DO YOU WISH TO PRINT*** | Y | Y is a decimal integer which is a PROM number. 5 means list the contents of PROM #5. |
| | Y ₁ -Y _n | Y ₁ is a decimal integer specifying the number of the first PROM to be listed. Y _n is a decimal integer specifying the last PROM to be listed. Thus, 2-5 specifies listing of PROMs 2, 3, 4 and 5. |
| | Combinations of Y and Y ₁ -Y _n | 3, 5-7, 9 means print (and punch) PROMs 3, 5, 6, 7 and 9. All combinations of Y and Y ₁ -Y _n are acceptable if separated by commas. |
| | Cs | C means column and s is a decimal integer which specifies the PROM column desired. C4 means print all PROMs in column 4. |
| | Cs ₁ -s _n | Print columns s ₁ , through s _n . C1-6 indicates print PROM columns 1 through 6. |
| | Combinations of Cs, s ₁ -s _n | C5, 7-9, 11 means print columns 5, 7, 8, 9, 11. C3-6, 10 means print columns 3, 4, 5, 6, 10 (i.e., C is only given once, then the s and/or s ₁ -s _n separated by commas). |
| | Rs | R means row and s is a decimal integer which specifies the row desired. R1 means print all PROMs in row 1. |
| | Rs ₁ -s _n | List the contents of PROM rows s ₁ , through s _n . R2-6 means print all PROMs in rows 2 through row 6. |
| | Combinations of Rs, s ₁ -s _n | The same as columns. The R is given once, followed by the row numbers separated by commas. R1, 4-6, 11-13 prints rows 1, 4, 5, 6, 11, 12, 13. |
| | N | The letter N is typed if the user wishes to indicate none of the PROM contents are to be listed |
| | A | The letter A when typed means all PROMs are to be printed. |

***The same PROMs are printed and/or punched. Thus, all values for printing apply for punching also.

BNPF PAPER TAPE OPTION

When BNPF is specified as an option, the tape is punched in the BNPF format. B is punched as the first character, then a P (for a one) or an N (for a zero) is punched for each bit in the width of this PROM, then an F is punched as the last character for this row of PROM data. This continues until all rows (the depth) of the PROM are punched.

Before the first BNPF for each PROM is punched, the program punches identification on the tape which consists of:

- 32 Rubouts
- 4 ASCII characters which are the PROM number
- 32 NULs to be used as the leader when loading the PROM burner tape reader

After the PROM data is punched, 40 NULS are punched to facilitate tape handling.

For example, if PROM#5 is 4 bits wide by 128 bits deep, and begins at origin zero, the paper tape will appear as shown in Table 6-3.

**Table 6-3
BNPF Paper Tape Contents**

| Tape Contents | Content Explanation | | |
|---|---------------------|-------------|---|
| Rubout ₁ Rubout ₃₂ | 32 Rubouts | | |
| Character 0005 | | PROM number | |
| NUL ₁ NUL ₃₂ | | 32 NULs | |
| Character B | | | BPNF format for one row of this 4-bit wide PROM |
| Character N or P | | | |
| Character N or P | | | |
| Character N or P | | | |
| Character N or P | | | |
| Character F | *See Note | | |
| Space | | | |
| Character B | Repeated 127 times | | |
| Character N or P | | | |
| NUL ₁ NUL ₄₀ | 40 trailing NULs | | |

*Note: Carriage return/line feed for possible listings is inserted after 8 words for PROMs 4 or less bits wide, after 4 words for widths of 16 or less bits, and after one word for widths greater than 16.

HEXADECIMAL PAPER TAPE OPTION

When punching is desired, and HEX is specified or assumed by default, the PROM contents are punched in the DATA I/O hexadecimal format.

The same initial data (32 Rubouts, PROM number and 32 NULs) is punched as is punched for the BNPF format, followed by the PROM contents in hexadecimal.

For PROMs 4 or less bits wide, one hexadecimal character and a space is punched. For PROMs greater than 4 bits wide, two hexadecimal characters and a space are punched. Thus two characters, space, two characters, space would be punched for either 2 rows of an 8-bit PROM, or for 1 row of a 16-bit wide PROM.

Thus if PROM #7 (16 bits x 128 words) is punched, the output will be:

**Table 6-4
Hexadecimal Paper Tape Contents**

| Tape Contents | Content Explanation | | |
|---|---------------------------------|-------------|---------------------------------------|
| Rubout ₁ Rubout ₃₂ | 32 Rubouts | | |
| Character 0007 | | PROM Number | |
| NUL ₁ NUL ₃₂ | | 32 NULs | |
| SOH | | | Start of Header |
| Character | | | Contents of PROM Row 1 (4 HEX digits) |
| Character | | | |
| Blank | | | |
| Character | | | |
| Character | | | |
| Blank | *See Note | | |
| Character | | | |
| Character | Repeated 127 Times *See Note | | |
| Character | | | |
| ETX | End of Text | | |
| NUL ₁ NUL ₄₀ | | 40 NULs | |

*Note: A carriage return/line feed for possible listings is inserted after 16 groups of hexadecimal characters.

AMDASM

EXAMPLE OF AMPROM

Figure 6-5 is an example of AMPROM/80 for the AMD 2900 Learning & Evaluation Kit.

```
CONSOLE INPUT
DON'T CARES?0
ENTER PROM WIDTH?8
ENTER PROM DEPTH?16
WHICH PROMS DO YOU WISH TO PRINT?3-4

AMPROM OUTPUT

AMD AMPROM UTILITY
AM2900 KIT EXERCISE 10B

PROM MAP
  PC   C1   C2   C3   C4
R1 0000  1   2   3   4

PROM CONTENTS
PC  ADD P 3      P 4
0000 000 00110000 00001111
0001 001 00110000 00011001
0002 002 00110000 00100000
0003 003 00110000 01000100
0004 004 01000000 00110000
0005 005 01000000 00000001
0006 006 00110000 00000000
0007 007 01000001 00010001
0008 008 00110000 00010000
0009 009 01000010 00100001
000A 00A 00110000 00100000
000B 00B 00010000 01000000
000C 00C 00000000 00000000
000D 00D 00000000 00000000
000E 00E 10000000 00110000
000F 00F 00110000 00110000

-----
PUNCH OUTPUT

3
BNNPPNNNNF BNNPPNNNNF BNNPPNNNNF BNNPPNNNNF
BNPNNNNNNF BNPNNNNNNF BNNPPNNNNF BNPNNNNNNF
BNNPPNNNNF BNPNNNNPNF BNNPPNNNNF BNNPPNNNNF
BNNNNNNNNF BNNNNNNNNF BPNNNNNNNF BNNPPNNNNF

4
BNNNNPPPPF BNNPPNNPF BNNPPNNNNF BNPNNNNPF
BNNPPNNNNF BNNNNNNPF BNNNNNNNNF BNNPPNNNNF
BNNPPNNNNF BNNPPNNNNF BNNPPNNNNF BNPNNNNNNF
BNNNNNNNNF BNNNNNNNNF BNNPPNNNNF BNNPPNNNNF
```

Figure 6-5. AMPROM/80 Output for AMD 2900 Learning Kit.

CHAPTER VII

ERROR MESSAGES AND INTERPRETATIONS

AMDASM ERRORS

Each source file input statement is processed until a single error is detected. One missing comma between fields, for example, would result in incorrect processing of the remainder of the statement.

Thus, the assembler stops when an error is encountered, records the error and the statement which caused it, and proceeds to process subsequent source input statements.

AMDASM and AMPROM error messages will have the form

```
*** ERROR n {y}
```

where *n* is the error number and *y*, if present, contains the illegal character or symbol. Fatal error messages appear on the console output device as well as on the assembly list file.

Error messages will sometimes seem inappropriate for the statement being processed. This occurs because the assembler is unable to determine the programmer's intent. This is often the result of a missing comma (,), semicolon (;), blank (Δ) or colon (:).

Errors where *n* is ≥ 100 halt execution.

It is recommended that the user read the entire error message section.

ERROR 1 ILLEGAL CHARACTER

The character which cannot be interpreted is printed and the line in which it occurs is also printed. This message may be generated by:

- Striking the wrong console key.
- A missing comma or semicolon (B#101Q#7 is not interpretable).
- A wrong number base used (B#3 or Q#8 cannot be interpreted).

ERROR 2 UNDEFINED SYMBOL

This message will most often occur when:

- Something is misspelled.

HERE: EQUΔ100

GO.TO: DEFΔ HEER (the assembler cannot find HEER)

- The # is missing after a B, Q, D, or H.
- The space is missing after definition words DEF, EQU, SUB, WORD, TITLE, RES, ORG, ALIGN, FF, SPACE
- A symbol is referenced before it is defined by a SUB or an EQU.
- A VFS for a hexadecimal field begins with the letters A through F and the H# designator does not precede the letter.

ERROR 3 UNDEFINED FORMAT

The format name given is misspelled or was not defined in the Definition Phase or the required blank was not supplied after the format name.

ERROR 4 DUPLICATE FORMAT

The name given before a format (DEF) has already been used as a name. If names contain more than 8 characters, the first 8 must be unique. Check for misspelled names.

ERROR 5 DUPLICATE LABEL

This label has been used more than once as a constant name or a label. If the label is more than 8 characters, the first 8 must be unique.

ERROR 6 DUPLICATE SUBDEFINE

The name given preceding a subformat (SUB) has already been used as a name. If names contain more than 8 characters, the first 8 must be unique. Check for misspelled names.

ERROR 7 FORMAT FIELD OVERFLOW

The user is permitted a maximum of 128 fields per format name (DEF). This number has been exceeded. The format must be revised and fields must be combined.

ERROR 8 SUBDEFINE FIELD OVERFLOW

The user is permitted a maximum of 128 fields per subformat name (SUB). This number has been exceeded. Revise the subformat and combine fields or use two subformats for this bit pattern.

ERROR 9 UNDEFINED DIRECTIVE

No name was found and the characters given are not TITLE, WORD, LIST, NOLIST, END, ORG, RES, SPACE, or ALIGN.

Check for a missing colon after a name, or misspelling, or blanks in TITLE, WORD, etc.

ERROR 10 ILLEGAL MICROWORD LENGTH

Each time DEF or FF is encountered, the assembler checks to see if the sum of the bits for all fields for this format name **exactly** equals the microword length.

Thus, the user is assured that each DEF or FF contains an exact number of bits. If the number of bits in this format does not **exactly** equal the number of bits given with WORD, the interpretation of the faulty DEF or FF is bypassed and the assembler attempts interpretation of the next source statement.

AMDASM

ERROR 11 ILLEGAL FIELD LENGTH

No field, except a "don't care" field, may be more than 16 bits in length. The value calculated for this field cannot be represented in 16 bits.

ERROR 12 DON'T CARE FIELD TOO LONG.

The explicit length given for a "don't care" field exceeds the microword length specified by WORD. Improper digits may have been assumed for the explicit length due to a missing comma or designator.

ERROR 13 ARITHMETIC OPERATION ON FIXED FIELD.

If a field is defined as a variable field in the Definition File, an expression cannot be used as a VFS in the Assembly File unless the field contained the % attribute in its definition.

ERROR 14 ATTRIBUTE ERROR

Both the negative (-) sign and inversion (*) have been assigned to a single variable or constant. This is not permitted. 4V-* or 4B#1011*- are meaningless.

ERROR 15 (Not used)

ERROR 16 MISSING END STATEMENT

The Definition or Assembly File is missing the END statement.

ERROR 17 ILLEGAL SYMBOL

A character other than A through Z, digits 0 through 9, or period was used in a name, or a comma may be missing between fields.

ERROR 18 OVERLAY ERROR

This message is given when two formats are overlaid and both of them contain constants for the same bit position. If the assembler is run using each of the formats in the overlay statement as a separate format, and the output is printed in block form, the erroneous bits are easily detected.

For example if the Definition File statements are:

```
A: DEFΔ4X,B#1011
B: DEFΔB#01111,3X
```

and the Assembly File statement is

```
A & B
```

the overlay error message occurs.

Rerun the Assembly File with source statements given as

```
A
B
```

and block output requested which generates

```
XXXX 1 011
0111 1 XXX
```

It can easily be seen that bits 1 are causing the overlay error. The improper DEF can then be corrected and the overlay A & B can be used in the Assembly File statement.

ERROR 19 NO DEFAULT VALUE

A format name was defined with a variable field in the Definition File. Since no default value was given in the definition, a variable field substitute **must** be supplied for this field when the format name is used in the Assembly File. Check for missing commas.

ERROR 20 FIELD LENGTH CONFLICT

The calculated or implicit field length for the constant or expression given after the designator does not have the same number of bits as the explicit field length. Check for a missing % or :, or a comma missing after the previous field.

This message may be output when commas are left out. For example,

```
8H#A39Q#274
```

is missing the comma between 3 and 9. Thus the program assumes A39 is to be substituted into the 8-bit hexadecimal field.

Similarly,

```
8H#A3, 9Q27, 4
```

will generate this error message since the comma between the 7 and the 4 is misplaced.

ERROR 21 \$ SPECIFIED FOR NON-ADDRESS FIELD

In order to use the value of the program counter (indicated with a \$) as a VFS, that field must contain the % attribute.

ERROR 22 (Not used)

ERROR 23 MISSING DESIGNATOR

A field has been encountered which contains only decimal numbers. This is not permitted for a field in a DEF, SUB or FF. Decimal numbers must be input as, n D# digits, where n is the explicit length of the field and digits are the decimal integers which generate the desired bit pattern or field value.

ERROR 24 SPACE DIRECTIVE ERROR

The value input following SPACE is interpreted as less than zero or greater than the number of lines given per page.

ERROR 25 ORG SET TO LESS THAN CURRENT PC

When ORG is encountered, the value given is compared with the current program (location) counter. If ORG is less than the program counter, the value given with ORG is ignored.

ERROR 26 NO FORMAT NAME AFTER &

When a line ends with an & and no continuation (/) is given at the beginning of the next line, this error is generated. A format name is missing after the &, or a / is missing on the continuation line.

ERROR 27 (Not used)

ERROR 28 ADDRESS NOT IN CURRENT PAGE

When the user gives a label or a label\$ as a VFS or has defined his variable field with the \$ attribute, this message will be generated if the left bits to be truncated do not match the corresponding bits of the current program counter.

ERROR 29 LENGTH REQUIRED FOR \$ MODIFIER

Paged addressing (use of the \$ as a modifier) requires the field length before the symbol in FF statements. Thus, 6SYMBOL\$ is correct but SYMBOL\$ is incorrect.

ERROR 30 ILLEGAL FIELD LENGTH IN FF STMT.

A field is greater than 16 bits in a FF statement. Only "don't care" fields may be larger than 16 bits.

ERROR 31 (Not used)

ERROR 32 NO EXPLICIT LENGTH BEFORE (

An expression in a FF statement must be enclosed in (). The explicit field length must precede the (.

AMDASM ERRORS WHICH HALT EXECUTION

Error messages with $n \geq 100$ cause execution to stop. They are listed below:

ERROR 100 COMMAND OPTION SYNTAX ERROR

The input command contains an error. Check for correct spelling of filenames and options, spaces between options, and correct drive specification with filenames.

ERROR 101 DEF TABLE OVERFLOW

ERROR 102 SUB TABLE OVERFLOW

ERROR 103 EQU TABLE OVERFLOW

ERROR 106 FIELD TABLE OVERFLOW

Errors 101, 102, 103 and 106 occur when the amount of memory available has been exceeded.

ERROR 104 INCORRECT OR MISSING WORD SIZE

Either the WORD n command is not given as the first command (or the first command after TITLE) or the value given for n is < 1 or > 128 .

ERROR 105 UNEXPECTED END OF FILE

The user has given an incorrect file name or the source file is not correct. AMDASM has encountered an end of file when it was still expecting data.

AMPROM ERRORS

ERROR 1 DON'T CARE DEFINITION ERROR

A value other than zero or one was input as the value for "don't care" bits. The user has input an incorrect character.

ERROR 2 WIDTH INPUT SYNTAX ERROR

The PROM width specified using n and/or l*b has been stated incorrectly. Check for missing commas or asterisks.

ERROR 3 WIDTH EXCEEDS MICROWORD SIZE

The width given for all of the PROMs totals to so many bits that at least one additional PROM width is being specified. For example, if the microword width is 60 and PROM width is specified as 9*8, an error will be generated as there are 12 (72-60) extra bits specified which is greater than the 8-bit width of each PROM. Program execution stops. However, 8*8 will not generate an error since the extra 4 bits (64-60) will fit within one 8-bit wide PROM.

AMDASM

ERROR 4 TOO MANY PROM COLUMNS

The user is limited to 32 columns in his PROM MAP. When a number of columns greater than 32 is specified this error occurs.

ERROR 5 DEPTH INPUT SYNTAX ERROR

The data (r and/or t*d) specifying the PROM depths has been input incorrectly. Check for missing commas or asterisks.

ERROR 6 WARNING DEPTH EXCEEDS MAXIMUM PC

The depth specified by the user will require at least one additional PROM filled with "don't cares".

Thus, if the object code depth is 120 words and the user specifies 3*64 for t*d, the extra 72 words are flagged as an error. However, if the user specified 2*64 (or 128) the extra 8 words would simply be filled with "don't cares". This is issued as a warning message. The additional PROM is filled with "don't cares" and the program continues executing.

ERROR 7 TOO MANY PROM ROWS

A PROM MAP may contain a maximum of 64 rows. This provides for 64K of storage if the user has chosen 1K PROMs. A PROM MAP with more than 64 rows is not permitted.

ERROR 8 ILLEGAL VALUE FOR ROWS OR COLUMNS

The user has input something other than a decimal integer Y or Rs or Cs or the letters N or A.

The user may have forgotten the - between Y_1 and Y_n or Cs_1 and s_n , etc.

ERROR 9 ILLEGAL PROM NO., ROW, OR COLUMN DESIGNATION

The user has requested a PROM number or a PROM row or column using a decimal value greater than any of the PROM numbers, PROM row numbers, or PROM column numbers.

ERROR 10 UNEXPECTED END OF FILE ON INPUT FILE.

This error only occurs when input to AMPROM is from a file (i.e., the user is not inputting the data interactively). A line giving the "don't care" value, the PROM width or the PROM depth, or the printing information has been omitted.

ERROR 100 COMMAND OPTION SYNTAX ERROR

This error occurs due to illegal command options or illegal syntax.

Execution halts and the correct command must be entered.

Check for misspelling, missing blanks or =, or incorrect drive specifications.

NOTE: Errors 1, 2 and 5 are indicated on the console and the previous data request is repeated. In order to end this loop, the user must input correct data or abort. For AMPROM/29 enter Control-C. For AMPROM/80 push interrupt 1.

APPENDIX A ERRORS

AMDASM ERRORS

ERROR 1 ILLEGAL CHARACTER
 ERROR 2 UNDEFINED SYMBOL
 ERROR 3 UNDEFINED FORMAT
 ERROR 4 DUPLICATE FORMAT
 ERROR 5 DUPLICATE LABEL
 ERROR 6 DUPLICATE SUBDEFINE
 ERROR 7 FORMAT FIELD OVERFLOW
 ERROR 8 SUBDEFINE FIELD OVERFLOW
 ERROR 9 UNDEFINED DIRECTIVE
 ERROR 10 ILLEGAL MICROWORD LENGTH
 ERROR 11 ILLEGAL FIELD LENGTH
 ERROR 12 DON'T CARE FIELD TOO LONG
 ERROR 13 ARITHMETIC OPERATION ON FIXED FIELD
 ERROR 14 ATTRIBUTE ERROR
 ERROR 15 (Not used)
 ERROR 16 MISSING END STATEMENT
 ERROR 17 ILLEGAL SYMBOL
 ERROR 18 OVERLAY ERROR
 ERROR 19 NO DEFAULT VALUE
 ERROR 20 FIELD LENGTH CONFLICT
 ERROR 21 \$ SPECIFIED FOR NON-ADDRESS FIELD
 ERROR 22 (Not used)
 ERROR 23 MISSING DESIGNATORS
 ERROR 24 SPACE DIRECTIVE ERROR
 ERROR 25 ORG SET TO LESS THAN CURRENT PC
 ERROR 26 NO FORMAT NAME AFTER &
 ERROR 27 (Not used)
 ERROR 28 ADDRESS NOT IN CURRENT PAGE
 ERROR 29 LENGTH REQUIRED FOR \$ MODIFIER
 ERROR 30 ILLEGAL FIELD LENGTH IN FF STMT
 ERROR 31 (Not used)
 ERROR 32 NO EXPLICIT LENGTH BEFORE (

AMDASM ERRORS WHICH HALT EXECUTION

ERROR 100 COMMAND OPTION SYNTAX ERROR
 ERROR 101 DEF TABLE OVERFLOW
 ERROR 102 SUB TABLE OVERFLOW
 ERROR 103 EQU TABLE OVERFLOW
 ERROR 104 INCORRECT OR MISSING WORD SIZE
 ERROR 105 UNEXPECTED END OF FILE
 ERROR 106 FIELD TABLE OVERFLOW

AMPROM ERRORS

ERROR 1 DON'T CARE DEFINITION ERROR
 ERROR 2 WIDTH INPUT SYNTAX ERROR
 ERROR 3 WIDTH EXCEEDS MICROWORD SIZE
 ERROR 4 TOO MANY PROM COLUMNS
 ERROR 5 DEPTH INPUT SYNTAX ERROR
 ERROR 6 WARNING DEPTH EXCEEDS MAXIMUM PC
 ERROR 7 TOO MANY PROM ROWS
 ERROR 8 ILLEGAL VALUE FOR ROWS OR COLUMNS
 ERROR 9 ILLEGAL PROM NO., ROW, OR COLUMN
 DESIGNATION
 ERROR 10 UNEXPECTED END OF FILE ON INPUT FILE
 ERROR 100 COMMAND OPTION SYNTAX ERROR

**ADVANCED MICRO DEVICES
SCHOTTKY AND LOW-POWER SCHOTTKY MSI**

Advanced Micro Devices offers a complete line of Schottky and Low-Power Schottky MSI products. On the following pages are a selector guide for these products and brief data on several of the most useful parts. For complete data refer to our Schottky and Low-Power Schottky Data Book.

Advanced Micro Devices offers two LS Logic families.

- Am25LS – High Performance
- Am54/74LS – Standard Performance

Similar elements of both families are described on the same data sheet. Key parameters are compared below.

All Advanced Micro Devices' products are manufactured to the quality assurance requirements of MIL-STD-883, Level C. According to Handbook 217B published by the Rome Air Development Center, the Air Force's principal authority on component reliability, Level C integrated circuits are up to ten times more reliable than normal industry commercial parts. Even if you don't need the performance features of Am25LS, you can buy our versions of 54/74LS devices with the assurance that they are manufactured to the stringent quality standards of MIL-STD-883.

**10X
MORE RELI**

**50mV MOF
NOISE MARI**

Am25LS IMPROVED PERFORMANCE

- Noise Margin
At $I_{OL} = 8\text{mA}$, Am25LS guarantees $V_{OL} = 0.45\text{V}$ compared to 0.50V for 54/74LS.
- Fan Out
Over the military temperature range, Am25LS is specified at $I_{OL} = 8\text{mA}$, for a F.O. of 22 (8mA/0.36mA). 54LS is guaranteed at $I_{OL} = 4\text{mA}$ only, for F.O. = 11 (4mA/0.36mA).
- I_{SC} (Max.)
Am25LS has I_{SC} upper limit controlled to 85mA (Max.).
- Speed

**TWICE TH
FAN-OUT**

**REDUCED SUPP
CURRENT SPIKI**

In this example, Am25LS164 has worst case clock to output delay specified as up to 45% faster and f_{MAX} at more than 40% faster than 54/74LS164. Most Am25LS devices offer similar improvements.

FASTER

SWITCHING SPEED SPECIFIED AT TEMPERATURE AND POWER SUPPLY EXTREMES

The switching speeds of all new Am25LS devices are now being specified at:

- Full 50pF load
- Over the operating temperature range
 - Military -55°C to $+125^{\circ}\text{C}$
 - Commercial 0°C to $+70^{\circ}\text{C}$
- Over the operating power supply range
 - Military $5.0\text{V} \pm 10\%$
 - Commercial $5.0\text{V} \pm 5\%$

**MORE FULLY
SPECIFIED**

PRICE

Most Am25LS device list prices are the same or less than the equivalent 54/74LS standard performance device.

Am25LS164 • Am54LS/74LS164

8-Bit Serial-In, Parallel-Out Shift Register

DISTINCTIVE CHARACTERISTICS

- Gated serial inputs
- Asynchronous clear
- Am25LS devices offer the following improvements over Am54/74LS
 - Higher speed
 - 50mV lower V_{OL} at $I_{OL} = 8mA$
 - Typical fan-out over military range
 - 440 μA source current at HIGH output
- 100% product assurance testing to MIL-STD-883 requirements

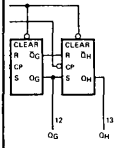
FUNCTIONAL DESCRIPTION

The Am25LS164 and Am54LS/74LS164 are eight-bit, serial in/parallel out shift registers built using advanced Low-Power Schottky processing. A gated input provides enable/disable control over incoming data such that the data can be entered or logic zeros can be entered into the register.

An asynchronous clear input can be used to simultaneously clear the eight flip-flops in the device. When the clear input is LOW, all internal flip-flops are forced LOW independent of the clock input. An incoming data bit is entered into the Q_3 flip-flop and the data in all internal flip-flops is shifted right on the LOW-to-HIGH transition of the clock input.

The Am54LS/74LS164 is a standard performance version of the Am25LS164. See appropriate electrical characteristic tables for detailed Am25LS improvements.

LOGIC DIAGRAM



ELECTRICAL CHARACTERISTICS

The Following Conditions Apply Unless Otherwise Specified:
 COM'L $T_A = 0^\circ C$ to $+70^\circ C$ $V_{CC} = 5.0V \pm 5\%$ MIN. = 4.75V MAX. = 5.25V
 MIL $T_A = -55^\circ C$ to $+125^\circ C$ $V_{CC} = 5.0V \pm 10\%$ MIN. = 4.50V MAX. = 5.50V

DC CHARACTERISTICS OVER OPERATING RANGE

| Parameters | Description | Test Conditions (Note 1) | Min. | Typ. (Note 2) | Max. | Units |
|------------|---------------------------------------|--|------|---------------|------|---------|
| V_{OH} | Output HIGH Voltage | $V_{CC} = \text{MIN.}, I_{OH} = -440\mu A$ COM'L MIL | 2.5 | 3.4 | | Volts |
| V_{OL} | Output LOW Voltage | $V_{CC} = \text{MIN.}, I_{OL} = 4.0mA$ $I_{OL} = 8.0mA$ | 0.25 | 0.4 | 0.45 | Volts |
| V_{IH} | Input HIGH Level | Guaranteed input logical HIGH voltage for all inputs | 2.0 | | | Volts |
| V_{IL} | Input LOW Level | Guaranteed input logical LOW voltage for all inputs | | 0.7 | 0.8 | Volts |
| V_I | Input Clamp Voltage | $V_{CC} = \text{MIN.}, I_{IN} = -18mA$ | | | -1.5 | Volts |
| I_{IL} | Input LOW Current | $V_{CC} = \text{MAX.}, V_{IN} = 0.4V$ | | -0.38 | -0.4 | mA |
| I_{IH} | Input HIGH Current | $V_{CC} = \text{MAX.}, V_{IN} = 2.7V$ | | 20 | | μA |
| I_I | Input HIGH Current | $V_{CC} = \text{MAX.}, V_{IN} = 7.0V$ | | 0.1 | | mA |
| I_{SC} | Output Short Circuit Current (Note 3) | $V_{CC} = \text{MAX.}$ | -15 | | -85 | mA |
| I_{CC} | Power Supply Current (Note 4) | | | | | mA |

Notes: 1. For conditions shown as MIN. or MAX.
 2. Typical limits are at $V_{CC} = 5.0V, 25^\circ C$
 3. Not more than one output should be at MAX. with outputs open, serial inp

SWITCHING CHARACTERISTICS

($T_A = +25^\circ C, V_{CC} = 5.0V$)

| Parameters | Description | Am25LS | | | Am54LS/74LS | | | Units | Test Conditions |
|------------|-------------------------|--------|------|------|-------------|------|------|------------------------------------|-----------------|
| | | Min. | Typ. | Max. | Min. | Typ. | Max. | | |
| t_{PLH} | Clock to Output | 14 | 20 | 20 | 17 | 27 | ns | $C_L = 15pF$ $R_L = 2.0k\Omega$ | |
| t_{PHL} | Clear to Output | 1 | 22 | 22 | 2 | 32 | ns | | |
| t_{PHL} | Clear to Output | 1 | 19 | 29 | 2 | 24 | ns | | |
| t_{pw} | Clock or Clear | 17 | | | 20 | | ns | | |
| t_1 | Data | 10 | | | 15 | | ns | | |
| t_h | Data | 5.0 | | | 5.0 | | ns | | |
| t_2 | Clear Recovery Time | 20 | | | — | | ns | | |
| f_{max} | Maximum Clock Frequency | 35 | 42 | | 25 | 36 | MHz | | |

Am25LS ONLY SWITCHING CHARACTERISTICS OVER OPERATING RANGE*

| Parameters | Description | Am25LS COM'L | | Am25LS MIL | | Units | Test Conditions |
|------------|-------------------------|--------------|------|------------|------|-------|------------------------------------|
| | | Min. | Max. | Min. | Max. | | |
| t_{PLH} | Clock to Output | 26 | 30 | 30 | 30 | ns | $C_L = 50pF$ $R_L = 2.0k\Omega$ |
| t_{PHL} | Clear to Output | 30 | 35 | 35 | 35 | ns | |
| t_{PHL} | Clear to Output | 37 | 42 | 42 | 42 | ns | |
| t_{pw} | Clock or Clear | 22 | | 25 | | ns | |
| t_1 | Data | 13 | | 15 | | ns | |
| t_h | Data | 5 | | 5 | | ns | |
| t_2 | Clear Recovery Time | 25 | | 30 | | ns | |
| f_{max} | Maximum Clock Frequency | 25 | | 20 | | MHz | |

*AC performance over the operating temperature range is guaranteed by testing defined in Group A, Subgroup 9.

Am25LS164

MAX. = 5.25V
 MAX. = 5.50V

Am54LS/74LS164

| Parameters | Description | Test Conditions (Note 1) | Typ. (Note 2) | | | Units |
|------------|---------------------------------------|--|---------------|------|------|---------|
| | | | Min. | Typ. | Max. | |
| V_{OH} | Output HIGH Voltage | $I_{OH} = -440\mu A$ | 2.5 | 3.4 | | Volts |
| V_{OL} | Output LOW Voltage | All, $I_{OH} = 4.0mA$ 74LS only, $I_{OL} = 8.0mA$ | 0.25 | 0.4 | 0.5 | Volts |
| V_{IH} | Input HIGH Level | | 2.0 | | | Volts |
| V_{IL} | Input LOW Level | | | 0.7 | 0.8 | Volts |
| V_I | Input Clamp Voltage | | | | -1.5 | Volts |
| I_{IL} | Input LOW Current | | | -0.4 | -0.4 | mA |
| I_{IH} | Input HIGH Current | | | 20 | | μA |
| I_I | Input HIGH Current | | | 0.1 | | mA |
| I_{SC} | Output Short Circuit Current (Note 3) | | | | -100 | mA |
| I_{CC} | Power Supply Current (Note 4) | | | | 27 | mA |

cable device type.

SCHOTTKY AND LOW-POWER SCHOTTKY FUNCTIONAL SELECTOR GUIDE

This guide divides the AMD Low-Power Schottky and Schottky TTL Product Line by function into three basic performance categories indicated by the examples below.

1. High-Performance, Low-Power Schottky Ex. 25LS174 Six Bit Register. $f_{\max} = 40\text{MHz}$ (Min.)

2. Standard Low-Power Schottky
Ex. 74LS174 Six Bit Register. $f_{\max} = 30\text{MHz}$ (Min.)

3. High-Speed Schottky
Ex. 74S174 Six Bit Register. $f_{\max} = 75\text{MHz}$ (Min.)

| DESCRIPTION | HIGH-PERFORMANCE LOW-POWER SCHOTTKY | STANDARD LOW-POWER SCHOTTKY | HIGH-SPEED SCHOTTKY |
|--|---|-----------------------------------|------------------------|
| DECADE (BCD) COUNTERS | | | |
| Asynchronous Clear | 25LS160 | 54/74LS160 | 54/74S160/93S10 |
| Synchronous Clear | 25LS162 | 54/74LS162 | |
| Up-Down, Synchronous Preset | 25LS168 | 54/74LS168 | |
| Up-Down, Asynchronous Preset, Single Clock | 25LS190 | 54/74LS190 | |
| Up-Down, Asynchronous Preset, Dual Clock | 25LS192 | 54/74LS192 | |
| Up-Down, Synchronous Preset, Three-State | * 25LS2568 | | |
| BINARY HEXADECIMAL COUNTERS | | | |
| Asynchronous Clear | 25LS161 | 54/74LS161 | 54/74S161/93S16 |
| Synchronous Clear | 25LS163 | 54/74LS163 | |
| Up-Down, Synchronous Preset | 25LS169 | 54/74LS169 | |
| Up-Down, Asynchronous Preset, Single Clock | 25LS191 | 54/74LS191 | |
| Up-Down, Asynchronous Preset, Dual Clock | 25LS193 | 54/74LS193 | |
| Up-Down, Synchronous Preset, Three-State | * 25LS2569 | | |
| DECODER/DEMULTIPLEXERS | | | |
| One-of-Ten Decoder/Demultiplexer, Polarity Control | 25LS2537 | | |
| One-of-Eight Decoder/Demultiplexer | 25LS138 | 54/74LS138 | 54/74S138 |
| One-of-Eight Decoder/Demultiplexer with Control Storage | 25LS2536 | | |
| Dual One-of-Four Decoder/Demultiplexer | 25LS139 | 54/74LS139 | 54/74S139/93S21 |
| One-of-Eight Decoder/Demultiplexer, Polarity Control | 25LS2538 | | |
| Dual One-of-Four Decoder/Demultiplexer, Polarity Control | 25LS2539 | | |
| MULTIPLEXERS | | | |
| Eight-Input Multiplexer | 25LS151 | 54/74LS151 | 54/74S151 |
| Eight-Input Multiplexer with Control Storage | 25LS2535 | | |
| Three-State Eight-Input Multiplexer | 25LS251 | 54/74LS251 | 54/74S251 |
| Dual Four-Input Multiplexer | 25LS153 | 54/74LS153 | 54/74S153 |
| Three-State Dual Four-Input Multiplexer | 25LS253 | 54/74LS253 | 54/74S253 |
| Quad Two-Input Multiplexer; Non-Inverting | 25LS157 | 54/74LS157 | 54/74S157/93S22 |
| Three-State Quad Two-Input Multiplexer; Non-Inverting | 25LS257 | 54/74LS257 | 54/74S257 |
| Quad Two-Input Multiplexer; Inverting | 25LS158 | 54/74LS158 | 54/74S158 |
| Three-State Quad Two-Input Multiplexer; Inverting | 25LS258 | 54/74LS258 | 54/74S258 |
| MONOSTABLE (ONE-SHOT) | | | |
| Dual Retriggerable, Resettable Monostable Multivibrator | | | 26S02 |
| OPERATORS (ALU, MULTIPLIER, PRIORITY ENCODER, etc.) | | | |
| Four by Two Two's Complement Multiplier | | | 25S05 |
| Four-Bit, Four-Way Shifter | | | * 25S10/54/74S350 |
| Four-Bit ALU/Function Generator | 25LS181 | 54/74LS181 | 54/74S181 |
| Four-Bit ALU/Function Generator | 25LS2517 | | |
| Four-Bit ALU/Function Generator | 25LS381 | 54/74LS381 | |
| Four-Bit Parallel Accumulator | 25LS281 | 54/74LS281 | |
| Priority Encoder, Eight Line to Three Line | 25LS148 | 54/74LS148 | |
| Four-Bit Serial Adder/Subtractor | * 25LS15 | | |
| Priority Encoder, Three State | 25LS2513 | | |
| Eight by One Serial/Parallel Two's Complement Multiplier | * 25LS14 | | |
| Eight-Bit by Eight-Bit Multiplier/Accumulator | * 25LS2516 | | |
| Eight-Bit Comparator | 25LS2521 | | |
| Eight-Bit Registered Comparator | 25LS2524 | | |
| System Clock Generator and Driver | 25LS2525 | | |

*Data Sheet on following pages.

FUNCTIONAL SELECTOR GUIDE (Cont.)

| DESCRIPTION | HIGH-PERFORMANCE LOW-POWER SCHOTTKY | STANDARD LOW-POWER SCHOTTKY | HIGH-SPEED SCHOTTKY |
|--|---|-----------------------------------|------------------------|
| PARITY CHECKER/GENERATORS | | | |
| Nine-Input Parity Checker/Generator | | | 82S62 |
| Twelve-Input Parity Checker/Generator | | | 93S48 |
| REGISTERS | | | |
| Four-Bit Register with Common Clock Enable | 25LS08 | 54/74LS379 | *25S08/54/74S379 |
| Four-Bit Register with Two-Input Multiplexers on Inputs | 25LS09 | 54/74LS399 | *25S09/54/74S399 |
| Four-Bit Register with Standard and Three-State Outputs | 25LS2518 | | 25S18/54/74S388 |
| Four-Bit, Two-Output Three-State Register | 25LS2519 | | |
| Four-Bit Register with Common Clear | 25LS175 | 54/74LS175 | 54/74S175 |
| Four-Bit Register; Shift Right, Left or Parallel Load | 25LS194A | 54/74LS194A | 54/74S194 |
| Four-Bit Register; Shift Right or Parallel Load | 25LS195A | 54/74LS195A | 54/74S195 |
| Six-Bit Register with Common Clock Enable | 25LS07 | 54/74LS378 | *25S07/54/74S378 |
| Six-Bit Register with Common Clear | 25LS174 | 54/74LS174 | 54/74S174 |
| Eight-Bit, Serial-In, Parallel-Out Register | 25LS164 | 54/74LS164 | |
| Eight-Bit Shift/Storage Register; Synchronous Clear | 25LS23 | | |
| Eight-Bit Shift/Storage Register; Asynchronous Clear | 25LS299 | 54/74LS299 | |
| Eight-Bit Shift-Storage Register with Sign Extend | *25LS22 | | |
| Octal D-Type Register, Common Clear | 25LS273 | 54/74LS273 | |
| Octal Transparent Latch (Three State) | 25LS373 | 54/74LS373 | *54/74S373 |
| Octal D-Type Register (Three State) | 25LS374 | 54/74LS374 | *54/74S374 |
| Octal D-Type Register, Common Enable | 25LS377 | 54/74LS377 | |
| Four-Bit by Four-Bit Register File (O.C.) | 25LS170 | 54/74LS170 | |
| Four-Bit by Four-Bit Register File (Three State) | 25LS670 | 54/74LS670 | |
| Octal D-Type Register, Common Enable and Clear, Three-State | 25LS2520 | | |
| BUS TRANSCEIVERS/DRIVERS | | | |
| Quad Bus Transceiver, Inverting, (100mA) | | | 26S10 |
| Quad Bus Transceiver, Non-Inverting (100mA) | | | 26S11 |
| Quad Bus Transceiver, Inverting | 25LS242 | 54/74LS242 | *54/74S242 |
| Quad Bus Transceiver, Non-Inverting | 25LS243 | 54/74LS243 | *54/74S243 |
| Quad Open-Collector Bus Transceiver | | | 26S12/12A |
| Quad Three-State Bus Transceiver (Inverting) | | | 8T26/8T26A |
| Quad Three-State Bus Transceiver (Non-Inverting) | | | 8T28 |
| Quad Two I/P Transceiver with Three-State Receiver (O.C.) | 2905 | | |
| Quad Two I/P Transceiver with Parity (O.C.) | 2906 | | |
| Quad Two I/P Transceiver with Parity (O.C.) | 2907 | | |
| Quad Two I/P Transceiver with Three-State Receiver (Three-State) | 2915A | | |
| Quad Two I/P Transceiver with Parity (Three-State) | 2916A | | |
| Quad Two I/P Transceiver with Parity (Three-State) | 2917A | | |
| Octal Bus Driver, Inverting | 25LS240 | 54/74LS240 | *54/74S240 |
| Octal Bus Driver, Non-Inverting (Complementary G, G inputs) | 25LS241 | 54/74LS241 | *54/74S241 |
| Octal Bus Driver, Non-Inverting | 25LS244 | 54/74LS244 | *54/74S244 |
| Octal Bidirectional Bus Transceiver | 8304 | | |

*Data Sheet on following pages.

Am25LS14

8-Bit Serial/Parallel Two's Complement Multiplier

DISTINCTIVE CHARACTERISTICS

- Two's complement multiplication without correction
- Magnitude only multiplication
- Cascadable for any number of bits
- 8-bit parallel multiplicand data input
- 25MHz minimum clock frequency
- Second sourced by T.I. as the SN54LS/74LS384
- 100% product assurance screening to MIL-STD-883 requirements

FUNCTIONAL DESCRIPTION

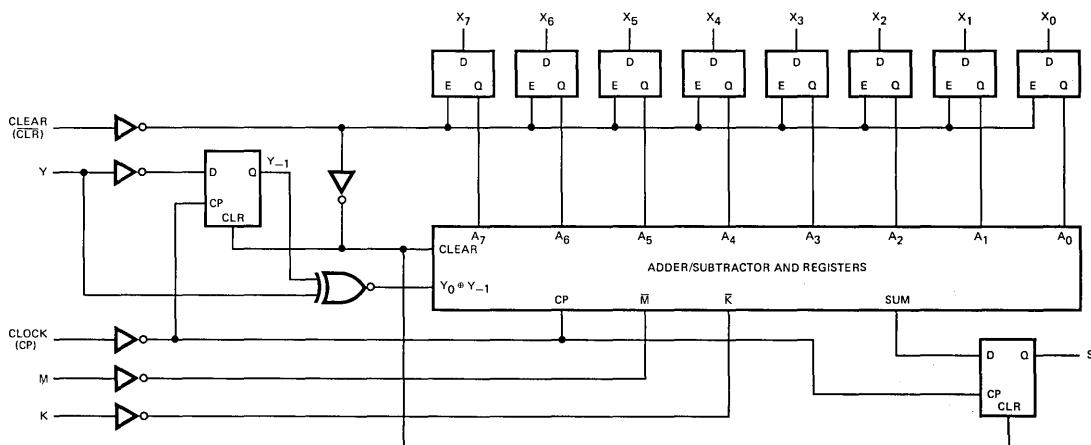
The Am25LS14 is an 8-bit by 1-bit sequential logic element that performs digital multiplication of two numbers represented in two's complement form to produce a two's complement product without correction by using Booth's algorithm internally. The device accepts an 8-bit multiplicand (X input) and stores this data in eight internal latches. The X latches are controlled via the clear input. When the clear input is LOW, all internal flip-flops are cleared and the X latches are opened to accept new multiplicand data. When the clear input is HIGH, the latches are closed and are insensitive to X input changes.

The multiplier word data is passed by the Y input in a serial bit stream — least significant bit first. The product is clocked out the S output least significant bit first.

The multiplication of an m-bit multiplicand by an n-bit multiplier results in an m + n bit product. The Am25LS14 must be clocked for m + n clock cycles to produce this two's complement product. Likewise, the n-bit multiplier (Y-input) sign bit data must be extended for the remaining m-bits to complete the multiplication cycle.

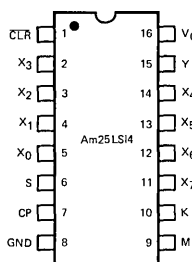
The device also contains a K input so that devices can be cascaded for longer length X words. The sum (S) output of one device is connected to the K input of the succeeding device when cascading. Likewise, a mode input (M) is used to indicate which device contains the most significant bit. The mode input is wired HIGH or LOW depending on the position of the 8-bit slice in the total X word length.

LOGIC DIAGRAM



MPR-327

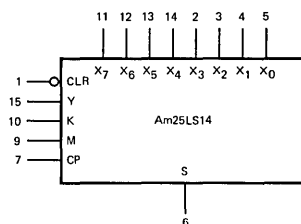
CONNECTION DIAGRAM Top View



Note: Pin 1 is marked for orientation.

MPR-328

LOGIC SYMBOL



VCC = Pin 16
GND = Pin 8

MPR-329

Am25LS15

Quad Serial Adder/Subtractor

DISTINCTIVE CHARACTERISTICS

- Four independent adder/subtractors
- Use with two's complement arithmetic
- Magnitude only addition/subtraction
- Second sourced by T.I. as Am54LS/74LS385
- 100% product assurance screening to MIL-STD-883 requirements

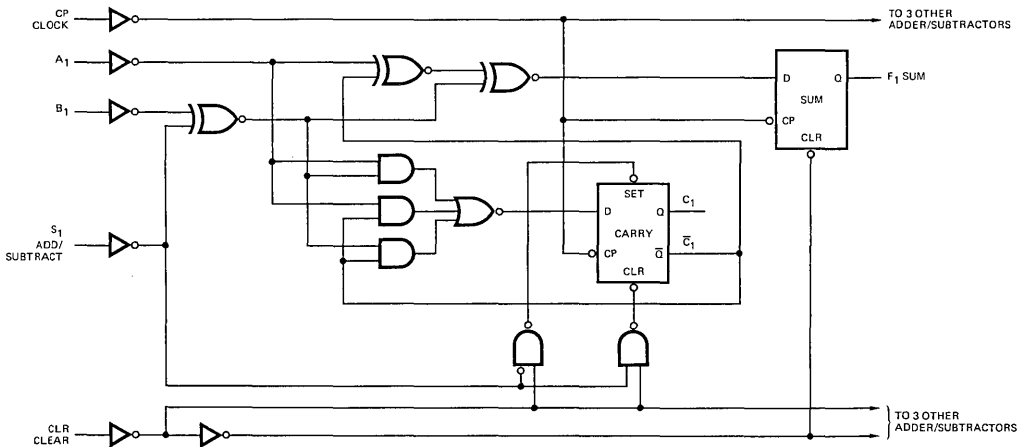
FUNCTIONAL DESCRIPTION

The Am25LS15 is a serial two's complement adder/subtractor designed for use in association with the Am25LS14 serial/parallel two's complement multiplier. This device can also be used for magnitude only or one's complement addition or subtraction.

Four independent adder/subtractors are provided with common clock and clear inputs. The add function is A plus B and the subtract function is A minus B. The clear function sets the internal carry function to logic zero in the add mode and to logic one in subtract mode. This least significant carry is self propagating in the subtract mode as long as zeroes are applied to the A and B inputs at the LSB's. All internal flip-flops change state on the LOW-to-HIGH clock transition.

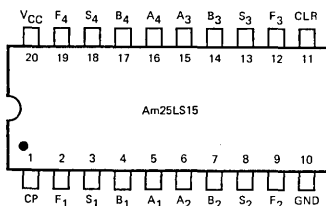
The Am25LS15 is particularly useful for recursive or non-recursive digital filtering or butterfly networks in Fast Fourier Transforms.

LOGIC DIAGRAM (One of Four Similar Functions)



MPR-330

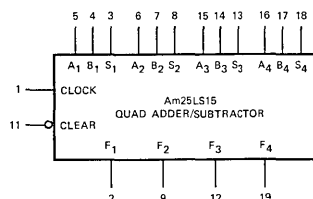
CONNECTION DIAGRAM Top View



Note: Pin 1 is marked for orientation.

MPR-331

LOGIC SYMBOL



VCC = Pin 20

GND = Pin 10

MPR-332

Am25LS22

8-Bit Serial/Parallel Register With Sign Extend

DISTINCTIVE CHARACTERISTICS

- Three-state outputs with multiplexed input
- Multiplexed serial data input
- Sign extend function
- Second sourced by T.I. as Am54LS/74LS322
- 100% product assurance screening to MIL-STD-883 requirements

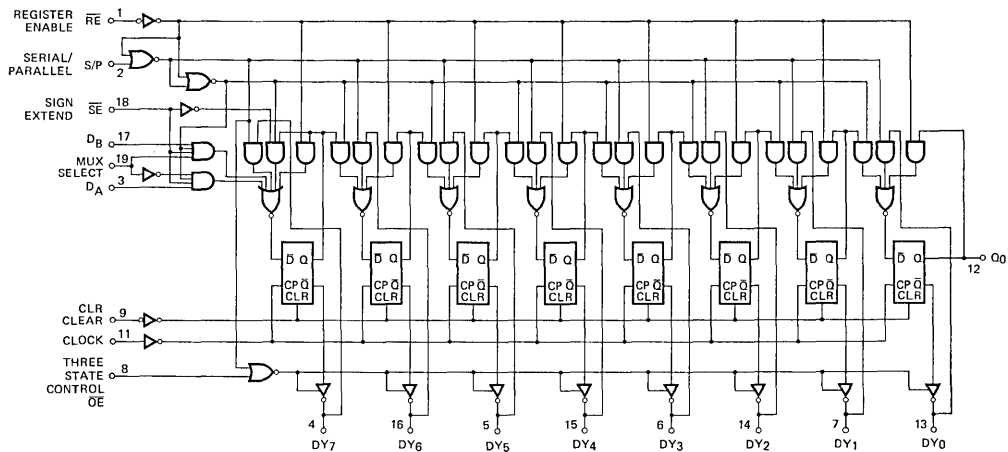
FUNCTIONAL DESCRIPTION

The Am25LS22 is an eight-bit serial/parallel register built using advanced Low-Power Schottky processing. The device features an eight-bit parallel multiplexed input/output port to provide improved bit density in a 20-pin package. Data may also be loaded into the device in a serial manner from either input D_A or D_B . A serial output, Q_0 , is also provided.

The Am25LS22 is specifically designed for operation with the Am25LS14 serial/parallel two's complement multiplier and provides the sign extend function required for this device.

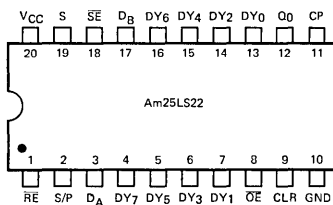
When the Register Enable (\overline{RE}) input is HIGH, the register will retain its current contents. Synchronous parallel loading is accomplished by applying a LOW to \overline{RE} and applying a LOW to the Serial/Parallel (S/P) input. This places the three-state outputs in the high-impedance state independent of \overline{OE} and allows data that is applied on the input/output lines (DY_i) to be clocked into the register. When the S/P input is HIGH, the device will shift right. The Sign Extend (\overline{SE}) input is used to repeat the sign in the Q_7 flip-flop. This occurs whenever \overline{SE} is LOW when the SHIFT mode is selected. When \overline{SE} is high, the serial two-input multiplexer is enabled. Thus, either D_A or D_B can be selected to load data serially. The register changes state on the LOW-to-HIGH transition of the clock. A clear input (CLR) is used to asynchronously reset all flip-flops when a LOW is applied.

LOGIC DIAGRAM



MPR-333

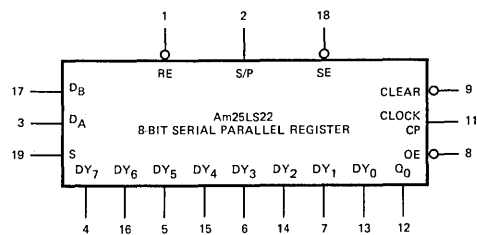
CONNECTION DIAGRAM Top View



Note: Pin 1 is marked for orientation.

MPR-334

LOGIC SYMBOL



V_{CC} = Pin 20
GND = Pin 10

MPR-335

Am25LS2568 • Am25LS2569

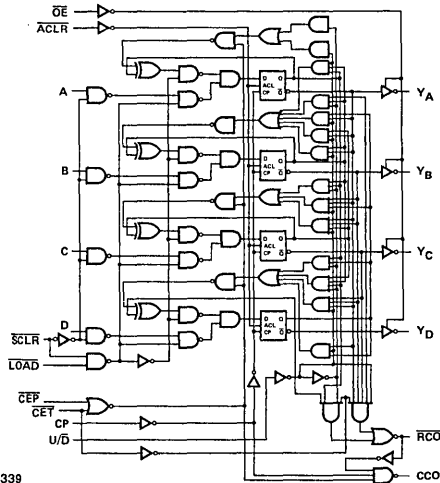
Four-Bit Up/Down Counters With Three-State Outputs

DISTINCTIVE CHARACTERISTICS

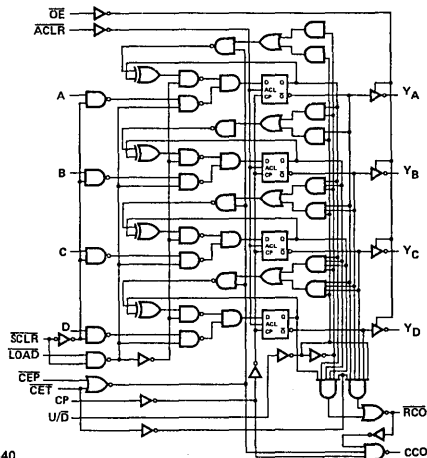
- 4-bit synchronous counter, synchronously programmable
- Both synchronous and asynchronous clear inputs
- Three-state counter outputs interface directly with bus organized systems
- Internal look-ahead carry logic and two count enable lines for high speed cascaded operation
- Ripple carry output for cascading
- Clock carry output for convenient modulo configuration
- Fully buffered outputs
- Second sourced as the 54LS74/LS568 and LS569
- Advanced low-power Schottky technology
- 100% product assurance screening to MIL-STD-883 requirements

LOGIC DIAGRAMS

Am25LS2568



Am25LS2569

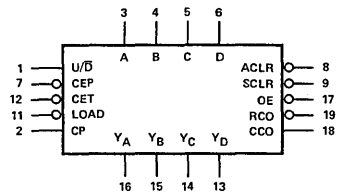


FUNCTIONAL DESCRIPTION

The Am25LS2568 and Am25LS2569 are programmable up/down BCD and Binary counters respectively with three-state outputs for bus organized systems. All functions except output enable (\overline{OE}) and asynchronous clear (\overline{ACLR}) occur on the positive edge of the clock input (CP).

With the \overline{LOAD} input LOW, the outputs will be programmed by the parallel data inputs (A, B, C, D) on the next clock edge. Counting is enabled only when \overline{CEP} and \overline{CET} are LOW and \overline{LOAD} is HIGH. The up-down input (U/ \overline{D}) controls the direction of count, HIGH counts up and LOW counts down. Internal look-ahead carry logic and an active LOW ripple carry output (\overline{RCO}) allows for high-speed counting and cascading. During up-count, the \overline{RCO} is LOW at binary 9 for the LS2568 (binary 15 for the LS2569) and upon down-count, it is LOW at binary 0. Normal cascaded operations requires only the \overline{RCO} to be connected to the succeeding block at \overline{CET} . When counting, the clocked carry output (CCO) provides a HIGH-LOW-HIGH pulse for a duration equal to the LOW time of the clock pulse and only when RCO is LOW. Two active LOW reset lines are available, synchronous clear (\overline{SCLR}) and a master reset asynchronous clear (\overline{ACLR}). The output control (\overline{OE}) input forces the counter output into the high impedance state when HIGH and when LOW, the counter outputs are enabled.

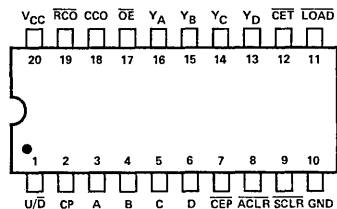
LOGIC SYMBOL



V_{CC} = Pin 20

GND = Pin 10

CONNECTION DIAGRAM Top View



Note: Pin 1 is marked for orientation.

Am25S07·Am25S08

Hex/Quad Parallel D Registers With Register Enable

Distinctive Characteristics

- 4-bit and 6-bit high-speed parallel registers
- Common clock and common enable

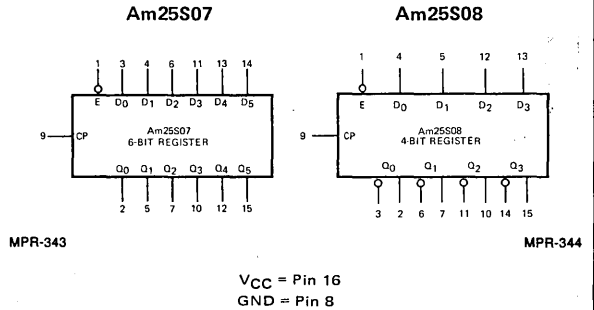
- Positive edge triggered D flip-flops
- 100% reliability assurance testing in compliance with MIL-STD-883.

FUNCTIONAL DESCRIPTION

The Am25S07 is a 6-bit, high-speed Schottky register with a buffered common register enable. The Am25S08 is a 4-bit register with a buffered common register enable. The devices are similar to the Am54S/74S174 and Am54S/74S175 but feature the common register enable rather than common clear.

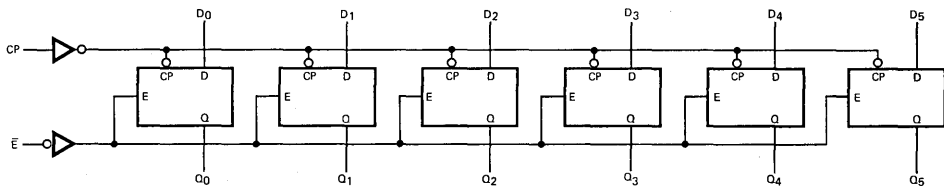
Both registers will find application in digital systems where information is associated with a logic gating signal. When the enable is LOW, data on the D inputs is stored in the register on the positive going edge of the clock pulse. When the enable is HIGH, the register will not change state regardless of the clock or data input transitions.

LOGIC SYMBOLS

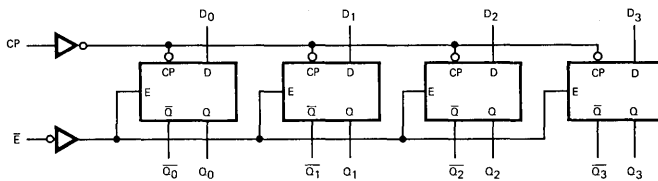


LOGIC DIAGRAMS

Am25S07

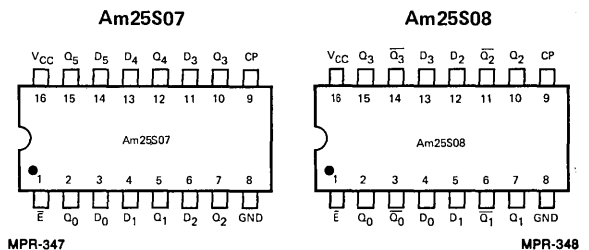


Am25S08



Low-Power Schottky versions of these devices available also. Order Am25LS07 and Am25LS08.

CONNECTION DIAGRAMS Top Views



Note: Pin 1 is marked for orientation.

Am25S09

Quad Two-Input, High-Speed Register

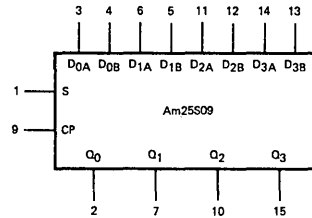
Distinctive Characteristics

- Four-bit register accepts data from one of two 4-bit input fields.
- Edge triggered clock action
- High-speed Schottky technology.
- 100% reliability assurance testing in compliance with MIL-STD-883.
- Electrically tested and optically inspected dice for the assemblers of hybrid products.

FUNCTIONAL DESCRIPTION

The Am25S09 is a dual port high-speed, four-bit register using advanced Schottky technology to reduce the effect of transistor storage time. The register consists of four D flip-flops with a buffered common clock, and a two-input multiplexer at the input of each flip-flop. A common select line, S, controls the four multiplexers. Data on the four inputs selected by the S line is stored in the four flip-flops at the clock LOW-to-HIGH transition. When the S input is LOW, the D_{iA} input data will be stored in the register. When the S input is HIGH, the D_{iB} input data will be stored in the register.

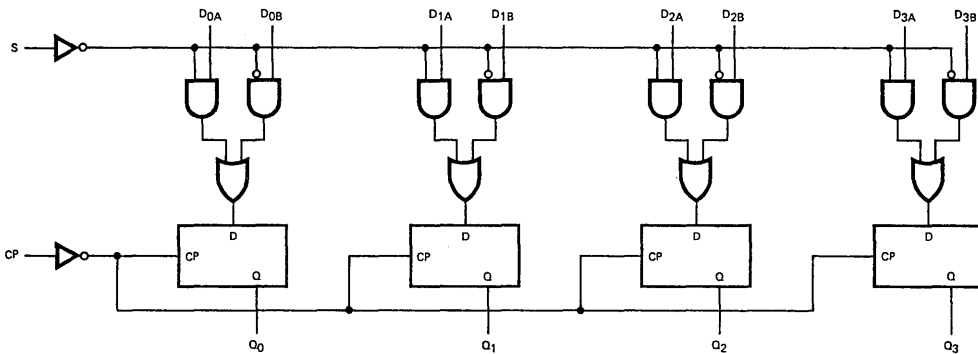
LOGIC SYMBOL



V_{CC} = Pin 16
GND = Pin 8

MPR-349

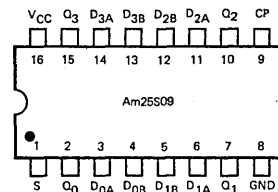
LOGIC DIAGRAM



MPR-350

Low-Power Schottky version of this part available also.
Order part number Am25LS09.

CONNECTION DIAGRAM Top View



Note: Pin 1 is marked for orientation

MPR-351

Am25S10

Four-Bit Shifter With Three-State Outputs

Distinctive Characteristics

- Shifts 4-bits of data to 0, 1, 2 or 3 places under control of two select lines.
- Three-state outputs for bus organized systems.

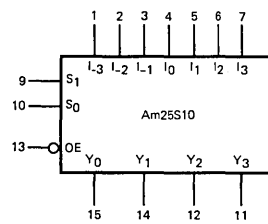
- 6.5 ns typical data propagation delay
- Alternate source is 54S/74S350
- 100% reliability assurance testing in compliance with MIL-STD-883.

FUNCTIONAL DESCRIPTION

The Am25S10 is a combinatorial logic circuit that accepts a four-bit data word and shifts the word 0, 1, 2 or 3 places. The number of places to be shifted is determined by a two-bit select field S_0 and S_1 . An active-LOW enable controls the three-state outputs. This feature allows expansion of shifting over a larger number of places with one delay.

By suitable interconnection, the Am25S10 can be used to shift any number of bits any number of places up or down. Shifting can be logical, with logic zeroes pulled in at either or both ends of the shifting field; arithmetic, where the sign bit is repeated during a shift down; or end around, where the data word forms a continuous loop.

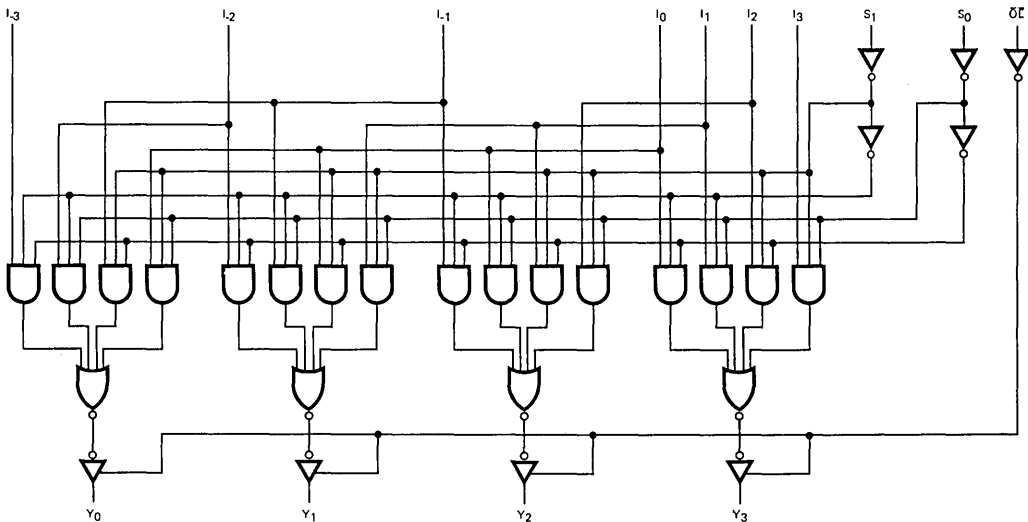
LOGIC SYMBOL



V_{CC} = Pin 16
GND = Pin 8

MPR-352

LOGIC DIAGRAM

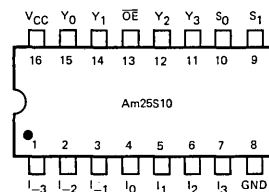


MPR-353

ORDERING INFORMATION

| Package Type | Temperature Range | Order Number |
|-------------------|-------------------|--------------|
| Molded DIP | 0°C to +70°C | AM25S10PC |
| Hermetic DIP | 0°C to +70°C | AM25S10DC |
| Dice | 0°C to +70°C | AM25S10XC |
| Hermetic DIP | -55°C to +125°C | AM25S10DM |
| Hermetic Flat Pak | -55°C to +125°C | AM25S10FM |
| Dice | -55°C to +125°C | AM25S10XM |

CONNECTION DIAGRAM Top View



Note: Pin 1 is marked for orientation

MPR-354

Am54S/74S240 • Am54S/74S241 Am54S/74S242 • Am54S/74S243 Am54S/74S244

Octal Buffers/Line Drivers/Line Receivers With Three-State Outputs

DISTINCTIVE CHARACTERISTICS

- Three-state outputs drive bus lines directly
- Advanced Schottky processing
- Hysteresis at inputs improve noise margin
- PNP inputs reduce D.C. loading on bus lines
- V_{OL} of 0.55V at 64mA for Am74S; 48mA for Am54S
- Data-to-output propagation delay times:
Inverting – 7.0ns MAX
Non-inverting – 9.0ns MAX
- Enable-to-output – 15.0ns MAX
- 100% reliability assurance testing in compliance with MIL-STD-883
- 20 pin hermetic and molded DIP packages for Am54S/74S240, Am54S/74S241, and Am54S/74S244

FUNCTIONAL DESCRIPTION

These buffers/line drivers, used as memory-address drivers, clock drivers, and bus oriented transmitters/receivers, provide improved PC board density. The outputs of the commercial temperature range versions have 64mA sink and 15mA source capability, which can be used to drive terminated lines down to 133 Ω . The outputs of the military temperature range versions have 48mA sink and 12mA source current capability.

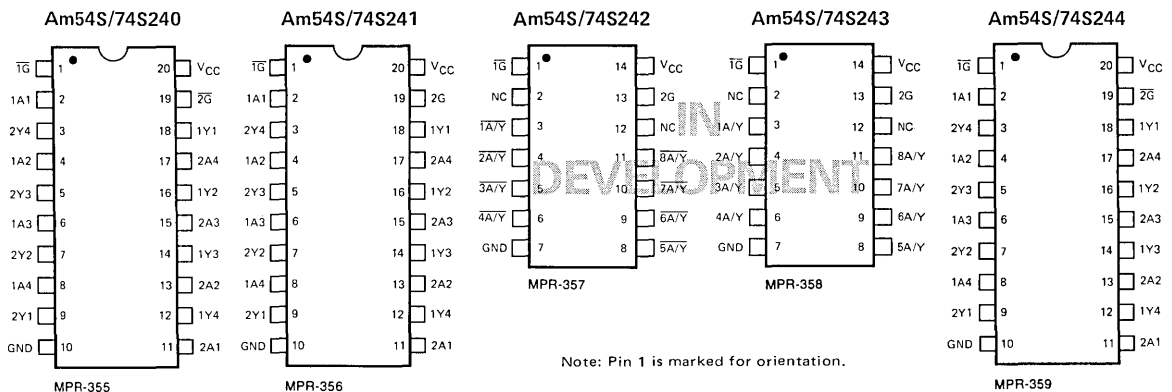
Featuring 0.2V minimum guaranteed hysteresis at each low-current PNP data input, they provide improved noise rejection and high-fan-out outputs to restore Schottky TTL levels completely.

The Am54S/74S240, Am54S/74S241 and Am54S/74S244 have four buffers which are enabled from one common line, and the other four buffers are enabled from another common line. The Am54S/74S240 is inverting, while the Am54S/74S241 and Am54S/74S244 present true data at the outputs.

The Am54S/74S242 and Am54S/74S243 have the two 4-line data paths connected input-to-output on both sides to form an asynchronous transceiver/buffer with complementing enable inputs. The Am54S/74S242 is inverting, while the Am54S/74S243 presents non-inverting data at the outputs.

CONNECTION DIAGRAMS

Top Views



ORDERING INFORMATION

| Package Type | Temperature Range | Order Number | | | | |
|--------------|-------------------|--------------|--------------|--------------|--------------|--------------|
| | | Am54S/74S240 | Am54S/74S241 | Am54S/74S242 | Am54S/74S243 | Am54S/74S244 |
| Hermetic | -55°C to +125°C | SN54S240J | SN54S241J | SN54S242J | SN54S243J | SN54S244J |
| Dice | -55°C to +125°C | AM54S240X | AM54S241X | AM54S242X | AM54S243X | AM54S244X |
| Hermetic | 0°C to +70°C | SN74S240J | SN74S241J | SN74S242J | SN74S243J | SN74S244J |
| Molded | 0°C to +70°C | SN74S240N | SN74S241N | | | SN74S244N |
| Dice | 0°C to +70°C | AM74S240X | AM74S241X | AM74S242X | AM74S243X | AM74S244X |

Low-Power Schottky versions of these parts available also.

Am54S/74S373

Octal Latch With Three-State Outputs

DISTINCTIVE CHARACTERISTICS

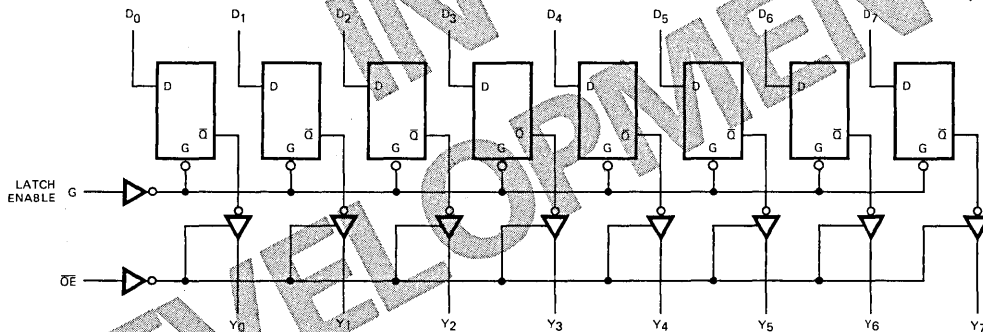
- 8 latches in a single package
- Three-state outputs interface directly with bus organized systems
- Hysteresis on latch enable input for improved noise margin
- High speed – Clock to output 12ns typical
- 100% product assurance screening to MIL-STD-883 requirements

FUNCTIONAL DESCRIPTION

The Am54S/74S373 is an octal latch with three-state outputs for bus organized system applications. The latching flip-flops appear to be transparent to the data (data changes asynchronously) when latch enable, G, is HIGH. When G is LOW, the data that meets the set-up times is latched. Data appears on the bus when the output enable, \overline{OE} , is LOW. When \overline{OE} is HIGH the bus output is in the high-impedance state.

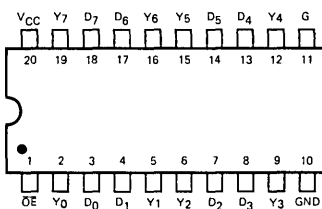
Note: Higher sink current and inverting versions are also in development.

LOGIC DIAGRAM



MPR-360

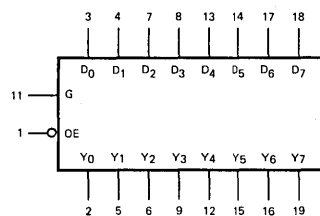
CONNECTION DIAGRAM Top View



Note: Pin 1 is marked for orientation.

MPR-361

LOGIC SYMBOL



V_{CC} = Pin 20
GND = Pin 10

MPR-362

Am54S/74S374

8-Bit Register with Three-State Outputs

DISTINCTIVE CHARACTERISTICS

- Eight-bit, high speed parallel registers
- Positive, edge-triggered, D-type flip-flops
- Buffered common clock and buffered common three-state control
- High speed – Clock to output 11ns typical
- 100% product assurance screening to MIL-STD-883 requirements

FUNCTIONAL DESCRIPTION

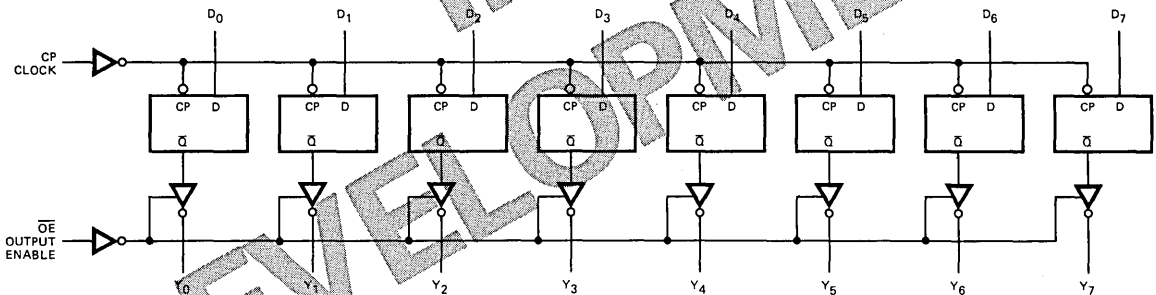
The Am54S/74S374 is an eight-bit register built using high speed Schottky technology. This register consists of eight D-type flip-flops with a buffered common clock and a buffered three-state output control. When the output enable (\overline{OE}) input is LOW, the eight outputs are enabled. When the \overline{OE} input is HIGH, the outputs are in the three-state condition.

Input data meeting the set-up and hold time requirements of the D inputs is transferred to the Y outputs on the LOW-to-HIGH transition of the clock input.

The device is packaged in a space-saving (0.3-inch row spacing) 20-pin package.

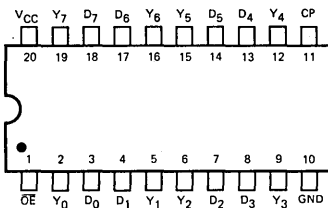
Note: Higher sink current and inverting versions are also in development.

LOGIC DIAGRAM



MPR-363

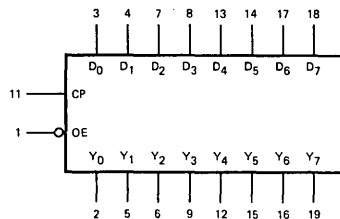
CONNECTION DIAGRAM Top View



Note: Pin 1 is marked for orientation.

MPR-364

LOGIC SYMBOL



V_{CC} = Pin 20

GND = Pin 10

MPR-365

ADVANCED MOS/LSI

Advanced Micro Devices is an industry leader in the production of high-technology MOS products. The company's n-channel, silicon-gate MOS process is ideally suited for the dense, high-speed memory and microprocessor products required by today's systems.

Although most of the MOS products are oriented toward the Am9080A 8-bit MOS microprocessor, the static RAM's are ideal for use with the Am2900 family. The access times of these devices are often well matched to 2900 system microcycle times and provide significant cost benefits over bipolar memories of the same density.

Of particular interest to users of the Am2900 family are the Am9130 and Am9140 4096-bit RAM's. These devices are organized as 4K x 1 and as 1K x 4 and are available with access times to 200ns.

Complete data on these devices is included in the following pages, along with our 16K dynamic RAM, the Am9016. The selection guide on the next few pages lists other Advanced MOS products which may be of interest. Most of these products are available for full military temperature range operation. For complete data on our MOS products, see our MOS/LSI Data Book.

MOS MEMORY SELECTION GUIDE

STATIC R/W RANDOM-ACCESS MEMORIES

| Part Number | Organization | Maximum Access Time (ns) | Temp. Range | Supply Voltage | Outputs | Data I/O Configuration | Package Pins | Operating Power Max. (mW) | Standby Power Max. (mW) |
|-------------|--------------|--------------------------|-------------|----------------|---------|------------------------|--------------|---------------------------|-------------------------|
| Am9101A | 256 × 4 | 500 | C, M | +5 | 3-State | Separate | 22 | 290 | 46 |
| Am91L01A | 256 × 4 | 500 | C, M | +5 | 3-State | Separate | 22 | 173 | 37 |
| Am9101B | 256 × 4 | 400 | C, M | +5 | 3-State | Separate | 22 | 290 | 46 |
| Am91L01B | 256 × 4 | 400 | C, M | +5 | 3-State | Separate | 22 | 173 | 37 |
| Am9101C | 256 × 4 | 300 | C, M | +5 | 3-State | Separate | 22 | 315 | 46 |
| Am91L01C | 256 × 4 | 300 | C, M | +5 | 3-State | Separate | 22 | 189 | 37 |
| Am9101D | 256 × 4 | 250 | C | +5 | 3-State | Separate | 22 | 315 | 46 |
| Am9102 | 1024 × 1 | 650 | C, M | +5 | 3-State | Separate | 16 | 263 | 42 |
| Am91L02 | 1024 × 1 | 650 | C, M | +5 | 3-State | Separate | 16 | 158 | 35 |
| Am9102A | 1024 × 1 | 500 | C, M | +5 | 3-State | Separate | 16 | 263 | 42 |
| Am91L02A | 1024 × 1 | 500 | C, M | +5 | 3-State | Separate | 16 | 158 | 35 |
| Am9102B | 1024 × 1 | 400 | C, M | +5 | 3-State | Separate | 16 | 263 | 42 |
| Am91L02B | 1024 × 1 | 400 | C, M | +5 | 3-State | Separate | 16 | 158 | 35 |
| Am9102C | 1024 × 1 | 300 | C, M | +5 | 3-State | Separate | 16 | 290 | 42 |
| Am91L02C | 1024 × 1 | 300 | C, M | +5 | 3-State | Separate | 16 | 173 | 35 |
| Am9102D | 1024 × 1 | 250 | C | +5 | 3-State | Separate | 16 | 290 | 42 |
| Am9111A | 256 × 4 | 500 | C, M | +5 | 3-State | Bussed | 18 | 290 | 46 |
| Am91L11A | 256 × 4 | 500 | C, M | +5 | 3-State | Bussed | 18 | 173 | 37 |
| Am9111B | 256 × 4 | 400 | C, M | +5 | 3-State | Bussed | 18 | 290 | 46 |
| Am91L11B | 256 × 4 | 400 | C, M | +5 | 3-State | Bussed | 18 | 173 | 37 |
| Am9111C | 256 × 4 | 300 | C, M | +5 | 3-State | Bussed | 18 | 315 | 46 |
| Am91L11C | 256 × 4 | 300 | C, M | +5 | 3-State | Bussed | 18 | 189 | 37 |
| Am9111D | 256 × 4 | 250 | C | +5 | 3-State | Bussed | 18 | 315 | 46 |
| Am9112A | 256 × 4 | 500 | C, M | +5 | 3-State | Bussed | 16 | 290 | 46 |
| Am91L12A | 256 × 4 | 500 | C, M | +5 | 3-State | Bussed | 16 | 173 | 37 |
| Am9112B | 256 × 4 | 400 | C, M | +5 | 3-State | Bussed | 16 | 290 | 46 |
| Am91L12B | 256 × 4 | 400 | C, M | +5 | 3-State | Bussed | 16 | 173 | 37 |
| Am9112C | 256 × 4 | 300 | C, M | +5 | 3-State | Bussed | 16 | 315 | 46 |
| Am91L12C | 256 × 4 | 300 | C, M | +5 | 3-State | Bussed | 16 | 189 | 37 |
| Am9112D | 256 × 4 | 250 | C | +5 | 3-State | Bussed | 16 | 315 | 46 |
| Am9114B | 1024 × 1 | 450 | C, M | +5 | 3-State | Bussed | 18 | 500 | — |
| Am9114C | 1024 × 1 | 300 | C, M | +5 | 3-State | Bussed | 18 | 500 | — |
| Am9114E | 1024 × 1 | 200 | C | +5 | 3-State | Bussed | 18 | 500 | — |
| Am9130A | 1024 × 4 | 500 | C, M | +5 | 3-State | Bussed | 22 | 578 | 84 |
| Am9130B | 1024 × 4 | 400 | C, M | +5 | 3-State | Bussed | 22 | 578 | 84 |
| Am9130C | 1024 × 4 | 300 | C, M | +5 | 3-State | Bussed | 22 | 578 | 84 |
| Am9130D | 1024 × 4 | 250 | C | +5 | 3-State | Bussed | 22 | 578 | 84 |
| Am9130E | 1024 × 4 | 200 | C | +5 | 3-State | Bussed | 22 | 578 | 84 |
| Am91L30A | 1024 × 4 | 500 | C, M | +5 | 3-State | Bussed | 22 | 367 | 72 |
| Am91L30B | 1024 × 4 | 400 | C, M | +5 | 3-State | Bussed | 22 | 367 | 72 |
| Am91L30C | 1024 × 4 | 300 | C, M | +5 | 3-State | Bussed | 22 | 367 | 72 |
| Am91L30D | 1024 × 4 | 250 | C | +5 | 3-State | Bussed | 22 | 367 | 72 |
| Am9131A | 1024 × 4 | 500 | C, M | +5 | 3-State | Bussed | 22 | 578 | 84 |
| Am9131B | 1024 × 4 | 400 | C, M | +5 | 3-State | Bussed | 22 | 578 | 84 |
| Am9131C | 1024 × 4 | 300 | C, M | +5 | 3-State | Bussed | 22 | 578 | 84 |
| Am9131D | 1024 × 4 | 250 | C | +5 | 3-State | Bussed | 22 | 578 | 84 |
| Am9131E | 1024 × 4 | 200 | C | +5 | 3-State | Bussed | 22 | 578 | 84 |
| Am91L31A | 1024 × 4 | 500 | C, M | +5 | 3-State | Bussed | 22 | 367 | 72 |
| Am91L31B | 1024 × 4 | 400 | C, M | +5 | 3-State | Bussed | 22 | 367 | 72 |
| Am91L31C | 1024 × 4 | 300 | C, M | +5 | 3-State | Bussed | 22 | 367 | 72 |
| Am91L31D | 1024 × 4 | 250 | C | +5 | 3-State | Bussed | 22 | 367 | 72 |
| Am9140A | 4096 × 1 | 500 | C, M | +5 | 3-State | Separate | 22 | 578 | 84 |
| Am9140B | 4096 × 1 | 400 | C, M | +5 | 3-State | Separate | 22 | 578 | 84 |
| Am9140C | 4096 × 1 | 300 | C, M | +5 | 3-State | Separate | 22 | 578 | 84 |
| Am9140D | 4096 × 1 | 250 | C | +5 | 3-State | Separate | 22 | 578 | 84 |
| Am9140E | 4096 × 1 | 200 | C | +5 | 3-State | Separate | 22 | 578 | 84 |
| Am91L40A | 4096 × 1 | 500 | C, M | +5 | 3-State | Separate | 22 | 367 | 72 |
| Am91L40B | 4096 × 1 | 400 | C, M | +5 | 3-State | Separate | 22 | 367 | 72 |
| Am91L40C | 4096 × 1 | 300 | C, M | +5 | 3-State | Separate | 22 | 367 | 72 |
| Am91L40D | 4096 × 1 | 250 | C | +5 | 3-State | Separate | 22 | 367 | 72 |
| Am9141A | 4096 × 1 | 500 | C, M | +5 | 3-State | Separate | 22 | 578 | 84 |
| Am9141B | 4096 × 1 | 400 | C, M | +5 | 3-State | Separate | 22 | 578 | 84 |
| Am9141C | 4096 × 1 | 300 | C, M | +5 | 3-State | Separate | 22 | 578 | 84 |
| Am9141D | 4096 × 1 | 250 | C | +5 | 3-State | Separate | 22 | 578 | 84 |
| Am9141E | 4096 × 1 | 200 | C | +5 | 3-State | Separate | 22 | 578 | 84 |
| Am91L41A | 4096 × 1 | 500 | C, M | +5 | 3-State | Separate | 22 | 367 | 72 |
| Am91L41B | 4096 × 1 | 400 | C, M | +5 | 3-State | Separate | 22 | 367 | 72 |
| Am91L41C | 4096 × 1 | 300 | C, M | +5 | 3-State | Separate | 22 | 367 | 72 |
| Am91L41D | 4096 × 1 | 250 | C | +5 | 3-State | Separate | 22 | 367 | 72 |

MOS MEMORY SELECTION GUIDE

DYNAMIC R/W RANDOM-ACCESS MEMORIES

| Part Number | Organization | Maximum Access Time (ns) | Temp. Range | Supply Voltages | Operating Power (mW) | Outputs | Data I/O Configuration | Package Pins | Refresh Time (ns) | Standby Power-Max. (mW) |
|-------------|--------------|--------------------------|-------------|-----------------|----------------------|------------|------------------------|--------------|-------------------|-------------------------|
| Am9050C | 4096 × 1 | 300 | C | -5, +12 | 750 | Open Drain | Bussed | 18 | 2.0 | 3.0 |
| Am9050D | 4096 × 1 | 250 | C | -5, +12 | 750 | Open Drain | Bussed | 18 | 2.0 | 3.0 |
| Am9050E | 4096 × 1 | 200 | C | -5, +12 | 750 | Open Drain | Bussed | 18 | 2.0 | 3.0 |
| Am9060C | 4096 × 1 | 300 | C | ±5, +12 | 750 | 3-State | Separate | 22 | 2.0 | 3.0 |
| Am9060D | 4096 × 1 | 250 | C | ±5, +12 | 750 | 3-State | Separate | 22 | 2.0 | 3.0 |
| Am9060E | 4096 × 1 | 200 | C | ±5, +12 | 750 | 3-State | Separate | 22 | 2.0 | 3.0 |
| Am9016C | 16384 × 1 | 300 | C | ±5, +12 | 480 | 3-State | Separate | 16 | 2.0 | 20.0 |
| Am9016D | 16384 × 1 | 250 | C | ±5, +12 | 480 | 3-State | Separate | 16 | 2.0 | 20.0 |
| Am9016E | 16384 × 1 | 200 | C | ±5, +12 | 480 | 3-State | Separate | 16 | 2.0 | 20.0 |

READ-ONLY MEMORIES

| Part Number | Organization | Access Time (ns) | Temp. Range | Supply Voltages | Operating Power-Max. (mW) | Outputs |
|-------------|--------------|------------------|-------------|-----------------|---------------------------|---------|
| C8316A | 2048 × 8 | 850 | C | +5 | 514 | 3-State |
| C8316E | 2048 × 8 | 450 | C | +5 | 499 | 3-State |
| Am9208B | 1024 × 8 | 400 | C, M | +5, +12 | 620 | 3-State |
| Am9208C | 1024 × 8 | 300 | C, M | +5, +12 | 620 | 3-State |
| Am9208D | 1024 × 8 | 250 | C | +5, +12 | 700 | 3-State |
| Am9214 | 512 × 8 | 500 | C, M | +5 | 263 | 3-State |
| Am9216B | 2048 × 8 | 400 | C, M | +5, +12 | 660 | 3-State |
| Am9216C | 2048 × 8 | 300 | C | +5, +12 | 700 | 3-State |
| Am9217A | 2048 × 8 | 550 | C, M | +5 | 367 | 3-State |
| Am9217B | 2048 × 8 | 450 | C, M | +5 | 367 | 3-State |
| Am9218B | 2048 × 8 | 450 | C, M | +5 | 367 | 3-State |
| Am9218C | 2048 × 8 | 350 | C | +5 | 367 | 3-State |
| Am9232 | 4096 × 8 | 350 | C, M | +5 | 500 | 3-State |

ERASABLE PROGRAMMABLE READ-ONLY MEMORY

| Part Number | Organization | Access Time (nsec) | Temp. Range | Supply Voltages | Operating Power-Max. (mW) | Outputs |
|-------------|--------------|--------------------|-------------|-----------------|---------------------------|---------|
| Am1702A | 256 × 8 | 1.0μs | C, E | -9V, +5V | 676 | 3-State |
| Am2708 | 1024 × 8 | 450 | C | +5V, +12V, -5V | 800 | 3-State |

Am9016

16,384 x 1 Dynamic R/W Random Access Memory

DISTINCTIVE CHARACTERISTICS

- High density 16k x 1 organization
- Direct replacement for MK4116
- Worst-case refresh intervals at 70°C –
2ms for Am9016, 4ms for Am90R16
- Low maximum power dissipation –
462mW active, 20mW standby
- High speed operation – 200ns access, 375ns cycle
- ±10% tolerance on standard +12, +5, –5 voltages
- TTL compatible interface signals
- Three-state output
- RAS only, RMW and Page mode clocking options
- 128 cycle refreshing
- Unlatched data output
- Standard 16-pin, .3 inch wide dual in-line package
- Double poly N-channel silicon gate MOS technology
- 100% MIL-STD-883 reliability assurance testing

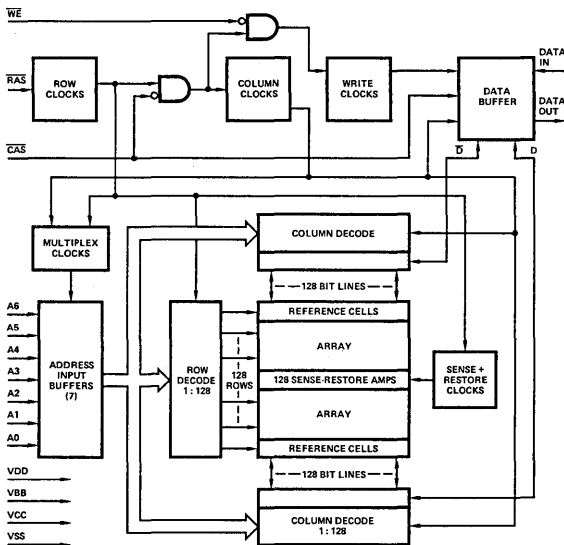
GENERAL DESCRIPTION

The Am9016 is a high speed, 16k-bit, dynamic, read/write random access memory. It is organized as 16,384 words by 1 bit per word and is packaged in a standard 16-pin DIP. The basic memory element is a single transistor cell that stores charge on a small capacitor. This mechanism requires periodic refreshing of the memory cells to maintain stored information.

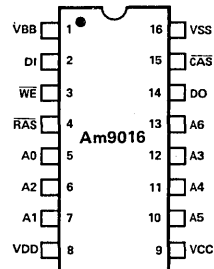
All input signals, including the two clocks, are TTL compatible. The Row Address Strobe ($\overline{\text{RAS}}$) loads the row address and the Column Address Strobe ($\overline{\text{CAS}}$) loads the column address. The row and column address signals share 7 input lines. Active cycles are initiated when $\overline{\text{RAS}}$ goes low, and standby mode is entered when $\overline{\text{RAS}}$ goes high. In addition to normal read and write cycles, other types of operations are available to improve versatility, performance, and power dissipation.

The three-state output buffer turns on when the column access time has elapsed and turns off after $\overline{\text{CAS}}$ goes high. Input and output data are the same polarity.

BLOCK DIAGRAM



CONNECTION DIAGRAM



Top View

Pin 1 is marked for orientation.

| | |
|-------------------------|-----------------------|
| A0 – A6 | ADDRESS INPUTS |
| $\overline{\text{CAS}}$ | COLUMN ADDRESS STROBE |
| DI | DATA IN |
| DO | DATA OUT |
| $\overline{\text{RAS}}$ | ROW ADDRESS STROBE |
| VDD | POWER (+12V) |
| VCC | POWER (+5V) |
| VSS | GROUND |
| VBB | POWER (–5V) |
| WE | WRITE ENABLE |

MPR-366

MPR-367

ORDERING INFORMATION

| Ambient Temperature | Package Type | Refresh Interval | Access Time | | |
|------------------------------|--------------|------------------|-------------|------------|------------|
| | | | 300ns | 250ns | 200ns |
| 0°C ≤ T _A ≤ +70°C | Hermetic DIP | 2msec | AM9016CDC | AM9016DDC | AM9016EDC |
| | | 4msec | AM90R16CDC | AM90R16DDC | AM90R16EDC |

Am9016

MAXIMUM RATINGS above which useful life may be impaired

| | |
|---|-----------------|
| Storage Temperature | -55°C to +150°C |
| Ambient Temperature under Bias | 0°C to +70°C |
| Input Signal Voltages with Respect to VBB | -0.5V to +20V |
| VDD and VCC Supply Voltages with Respect to VBB | -0.5V to +20V |
| Power Dissipation | 1.0W |
| Short Circuit Output Current | 50mA |

The products described by this specification include internal circuitry designed to protect input devices from damaging accumulation of static charge. It is suggested nevertheless, that conventional precautions be observed during storage, handling, and use in order to avoid exposure to excessive voltages.

OPERATING RANGE

| Ambient Temperature | VDD | VCC | VSS | VBB |
|------------------------------|-----------|----------|-----|------------|
| 0°C ≤ T _A ≤ +70°C | +12V ±10% | +5V ±10% | 0 | -5.0V ±10% |

ELECTRICAL CHARACTERISTICS over operating range (Notes 1, 11)

Am9016X
Am90R16X

| Parameters | Description | Test Conditions | Min. | Typ. | Max. | Units | |
|------------|---|--|--|---------|------|-------|-----|
| VOH | Output HIGH Voltage | I _{OH} = -5.0mA | 2.4 | | VCC | Volts | |
| VOL | Output LOW Voltage | I _{OL} = 4.2mA | VSS | | 0.40 | Volts | |
| VIH | Input HIGH Voltage for Address, Data In | | 2.4 | | 7.0 | Volts | |
| VIHC | Input HIGH Voltage for $\overline{\text{CAS}}$, $\overline{\text{RAS}}$, $\overline{\text{WE}}$ | | 2.7 | | 7.0 | Volts | |
| VIL | Input LOW Voltage | | -1.0 | | 0.80 | Volts | |
| IIX | Input Load Current | VSS ≤ V _I < VCC | -10 | | 10 | μA | |
| IOZ | Output Leakage Current | VSS ≤ V _O < VCC, Output OFF | -10 | | 10 | μA | |
| ICC | VCC Supply Current | Output OFF (Note 4) | -10 | | 10 | μA | |
| IBB | VBB Supply Current, Average | Standby, $\overline{\text{RAS}} > \text{VIHC}$ | | | 100 | μA | |
| | | Operating, Minimum Cycle Time | | | 200 | | |
| IDD | VDD Supply Current, Average | Operating | $\overline{\text{RAS}}$ Cycling, $\overline{\text{CAS}}$ Cycling, Minimum Cycle Times | Am9016C | | 35 | mA |
| | | | | Am9016D | | 35 | |
| | | | | Am9016E | | 35 | |
| | | Page Mode | $\overline{\text{RAS}} < \text{VIL}$, $\overline{\text{CAS}}$ Cycling, Minimum Cycle Times | Am9016C | | 27 | |
| | | | | Am9016D | | 27 | |
| | | | | Am9016E | | 27 | |
| | | $\overline{\text{RAS}}$ - Only Refresh | $\overline{\text{RAS}}$ Cycling, $\overline{\text{CAS}} > \text{VIHC}$, Minimum Cycle Times | Am9016C | | 27 | |
| Am9016D | | | | 27 | | | |
| Am9016E | | 27 | | | | | |
| Standby | $\overline{\text{RAS}} > \text{VIHC}$ | | | 1.5 | | | |
| CI | Input Capacitance | $\overline{\text{RAS}}$, $\overline{\text{CAS}}$, $\overline{\text{WE}}$ | | | 10 | pF | |
| | | Address, Data In | Inputs at 0V, f = 1MHz, Nominal Supply Voltages | | | | 5.0 |
| CO | Output Capacitance | Output OFF | | | 7.0 | | |

SWITCHING CHARACTERISTICS over operating range (Notes 2, 3, 5, 10)

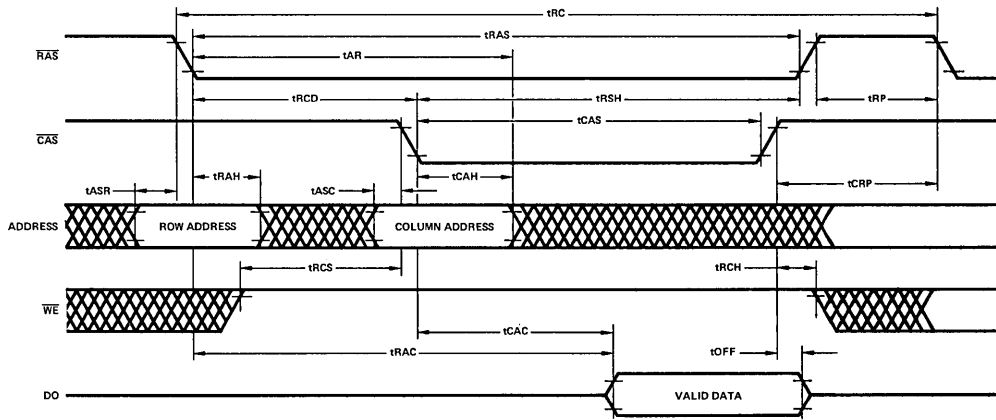
| Parameters | Description | Renamed Parameter | Am9016C | | Am9016D | | Am9016E | | Units |
|------------|--|-------------------|---------|--------|---------|--------|---------|--------|-------|
| | | | Min. | Max. | Min. | Max. | Min. | Max. | |
| tAR | $\overline{\text{RAS}}$ LOW to Column Address Hold Time | TRELAX (C) | 200 | | 160 | | 120 | | ns |
| tASC | Column Address Set-up Time | TAVCEL | -10 | | -10 | | -10 | | ns |
| tASR | Row Address Set-up Time | TAVREL | 0 | | 0 | | 0 | | ns |
| tCAC | Access Time from $\overline{\text{CAS}}$ (Note 6) | TCELQV | | 185 | | 165 | | 135 | ns |
| tCAH | $\overline{\text{CAS}}$ LOW to Column Address Hold Time | TCELAX | 85 | | 75 | | 55 | | ns |
| tCAS | $\overline{\text{CAS}}$ Pulse Width | TCELCEH | 185 | 10,000 | 165 | 10,000 | 135 | 10,000 | ns |
| tCP | Page Mode $\overline{\text{CAS}}$ Precharge Time | TCEHCEL | 100 | | 100 | | 80 | | ns |
| tCRP | $\overline{\text{CAS}}$ to $\overline{\text{RAS}}$ Precharge Time | TCEHREL | -20 | | -20 | | -20 | | ns |
| tCWD | $\overline{\text{CAS}}$ LOW to $\overline{\text{WE}}$ LOW Delay (Note 9) | TCELWL | 145 | | 125 | | 95 | | ns |
| tCWL | $\overline{\text{WE}}$ LOW to $\overline{\text{CAS}}$ HIGH Set-up Time | TWLCEH | 100 | | 100 | | 80 | | ns |
| tDH | $\overline{\text{CAS}}$ LOW or $\overline{\text{WE}}$ LOW to Data In Valid Hold Time (Note 7) | TCELDX or TWLDX | 85 | | 75 | | 55 | | ns |
| tDHR | $\overline{\text{RAS}}$ LOW to Data In Valid Hold Time | TRELDX | 200 | | 160 | | 120 | | ns |
| tDS | Data In Stable to $\overline{\text{CAS}}$ LOW or $\overline{\text{WE}}$ LOW Set-up Time (Note 7) | TDVCEL or TDVWL | 0 | | 0 | | 0 | | ns |
| tOFF | $\overline{\text{CAS}}$ HIGH to Output OFF Delay | TCEHQZ | 0 | 60 | 0 | 60 | 0 | 50 | ns |
| tPC | Page Mode Cycle Time | TCELCEL (P) | 295 | | 275 | | 225 | | ns |
| tRAC | Access Time from $\overline{\text{RAS}}$ (Note 6) | TRELQV | | 300 | | 250 | | 200 | ns |
| tRAH | $\overline{\text{RAS}}$ LOW to Row Address Hold Time | TRELAX (R) | 45 | | 35 | | 25 | | ns |
| tRAS | $\overline{\text{RAS}}$ Pulse Width | TRELREH | 300 | 10,000 | 250 | 10,000 | 200 | 10,000 | ns |
| tRC | Random Read or Write Cycle Time | TRELREL | 460 | | 410 | | 375 | | ns |
| tRCD | $\overline{\text{RAS}}$ LOW to $\overline{\text{CAS}}$ LOW Delay (Note 6) | TRELCEL | 35 | 115 | 35 | 85 | 25 | 65 | ns |
| tRCH | Read Hold Time | TCEHWX | 0 | | 0 | | 0 | | ns |
| tRCS | Read Set-up Time | TWHCEL | 0 | | 0 | | 0 | | ns |
| tREF | Refresh Interval | Am90R16 | | 4 | | 4 | | 4 | ms |
| | | Am90I16 | | 2 | | 2 | | 2 | |
| tRP | $\overline{\text{RAS}}$ Precharge Time | TREHREL | 150 | | 150 | | 120 | | ns |
| tRSH | $\overline{\text{CAS}}$ LOW to $\overline{\text{RAS}}$ HIGH Delay | TCELREH | 185 | | 165 | | 135 | | ns |
| tRWC | Read/Write Cycle Time | TRELREL (R/W) | 525 | | 515 | | 375 | | ns |
| tRWD | $\overline{\text{RAS}}$ LOW to $\overline{\text{WE}}$ LOW Delay (Note 9) | TRELWL | 260 | | 210 | | 160 | | ns |
| tRWL | $\overline{\text{WE}}$ LOW to $\overline{\text{RAS}}$ HIGH Set-up Time | TWLREH | 100 | | 100 | | 80 | | ns |
| tT | Transition Time | | 3 | 50 | 3 | 50 | 3 | 50 | ns |
| tWCH | Write Hold Time | TCELWH | 85 | | 75 | | 55 | | ns |
| tWCR | $\overline{\text{RAS}}$ LOW to Write Hold Time | TRELWH | 200 | | 160 | | 120 | | ns |
| tWCS | $\overline{\text{WE}}$ LOW to $\overline{\text{CAS}}$ LOW Set-up Time (Note 9) | TWLCEL | -20 | | -20 | | -20 | | ns |
| tWP | Write Pulse Width | TWLWH | 85 | | 75 | | 55 | | ns |

NOTES

- Typical values are for $T_A = 25^\circ\text{C}$, nominal supply voltages and nominal processing parameters.
- Signal transition times are assumed to be 5ns. Transition times are measured between specified high and low logic levels.
- Timing reference levels for both input and output signals are the specified worst-case logic levels.
- VCC is used in the output buffer only. ICC will therefore depend only on leakage current and output loading. When the output is ON and at a logic high level, VCC is connected to the Data Out pin through an equivalent resistance of approximately 135Ω . In standby mode VCC may be reduced to zero without affecting stored data or refresh operations.
- Output loading is two standard TTL loads plus 100pF capacitance.
- Both $\overline{\text{RAS}}$ and $\overline{\text{CAS}}$ must be low to read data. Access timing will depend on the relative positions of their falling edges. When tRCD is less than the maximum value shown, access time depends on $\overline{\text{RAS}}$ and tRAC governs. When tRCD is more than the maximum value shown access time depends on $\overline{\text{CAS}}$ and tCAC governs. The maximum value listed for tRCD is shown for reference purposes only and does not restrict operation of the part.
- Timing reference points for data input setup and hold times will depend on what type of write cycle is being performed and will be the later falling edge of $\overline{\text{CAS}}$ or $\overline{\text{WE}}$.
- At least two initialization cycles that exercise both $\overline{\text{RAS}}$ and $\overline{\text{CAS}}$ should be performed after power-up and before valid operations are begun.
- The tWCS, tRWD and tCWD parameters are shown for reference purposes only and do not restrict the operating flexibility of the part. When the falling edge of $\overline{\text{WE}}$ follows the falling edge of $\overline{\text{CAS}}$ by at most tWCS, the data output buffer will remain off for the whole cycle and an "early write" cycle is defined. When the falling edge of $\overline{\text{WE}}$ follows the falling edges of $\overline{\text{RAS}}$ and $\overline{\text{CAS}}$ by at least tRWD and tCWD respectively, the Data Out from the addressed cell will be valid at the access time and a "read/write" cycle is defined. The falling edge of $\overline{\text{WE}}$ may also occur at intermediate positions, but the condition and validity of the Data Out signal will not be known.
- Switching characteristics are listed in alphabetical order.
- All voltages referenced to VSS.

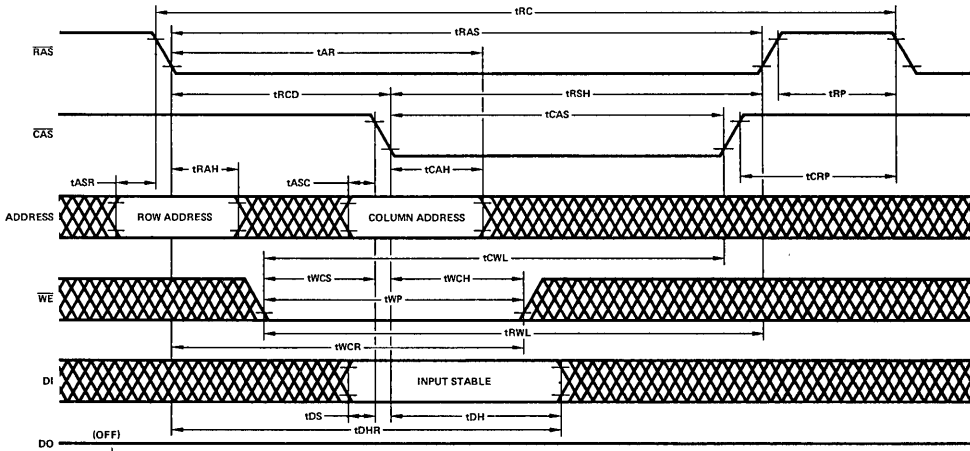
SWITCHING WAVEFORMS

READ CYCLE



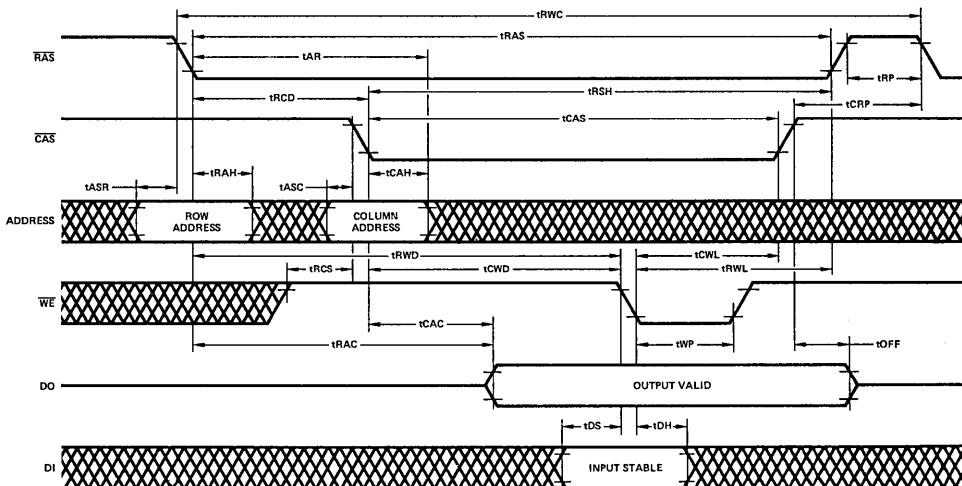
MPR-368

WRITE CYCLE (EARLY WRITE)



MPR-369

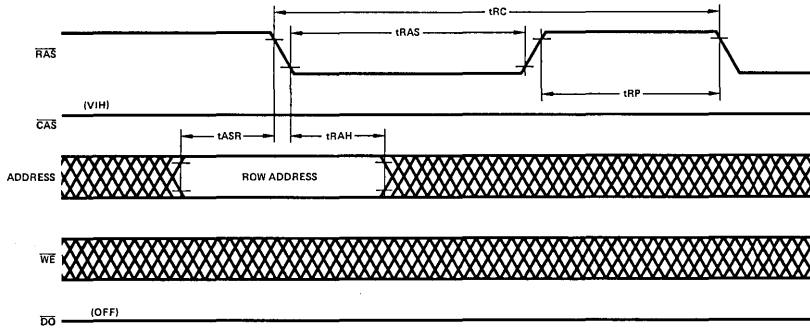
READ-WRITE/READ-MODIFY-WRITE CYCLE



MPR-370

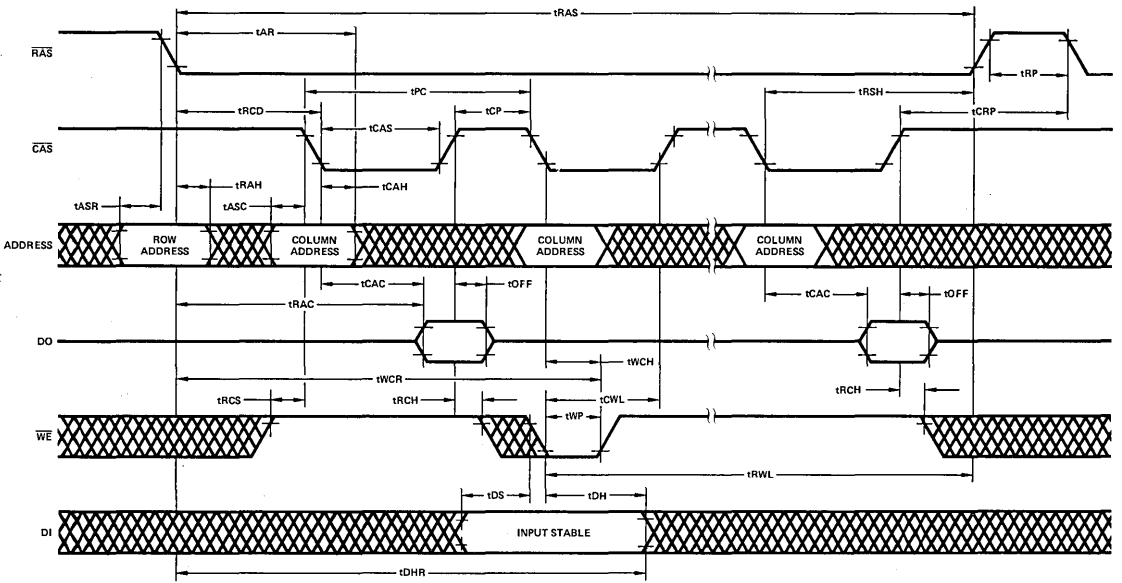
SWITCHING WAVEFORMS (Cont.)

RAS ONLY REFRESH CYCLE



MPR-371

PAGE MODE CYCLE



MPR-372

APPLICATION INFORMATION

The Am9016 electrical connections are such that if power is applied with the device installed upside down it will be permanently damaged. Precautions should be taken to avoid this mishap.

OPERATING CYCLES

Random read operations from any location hold the \overline{WE} line high and follow this sequence of events:

- 1) The row address is applied to the address inputs and \overline{RAS} is switched low.
- 2) After the row address hold time has elapsed, the column address is applied to the address inputs and \overline{CAS} is switched low.
- 3) Following the access time, the output will turn on and valid read data will be present. The data will remain valid as long as \overline{CAS} is low.
- 4) \overline{CAS} and \overline{RAS} are then switched high to end the operation. A new cycle cannot begin until the precharge period has elapsed.

Random write operations follow the same sequence of events, except that the \overline{WE} line is low for some portion of the cycle. If the data to be written is available early in the cycle, it will usually be convenient to simply have \overline{WE} low for the whole write operation.

Sequential Read and Write operations at the same location can be designed to save time because re-addressing is not necessary. A read/write cycle holds \overline{WE} high until a valid read is established and then strobes new data in with the falling edge of \overline{WE} .

After the power is first applied to the device, the internal circuit requires execution of at least two initialization cycles which exercise both RAS and CAS before valid memory accesses are begun.

The Am9016 draws most of its power as transients that occur as a result of address strobe switching. Thus, power dissipation for a given part will be a function of strobe duty cycles. The Am9016E may be operated at a maximum cycle rate of 375ns in an ambient environment of +70°C. Memory read or memory write cycles may also be reduced from 375ns to as low as 330ns when the ambient temperature is maintained at +70°C. Figure 1 shows cycle time versus ambient temperature relationship.

Maximum Ambient Temperature
Versus Cycle Rate

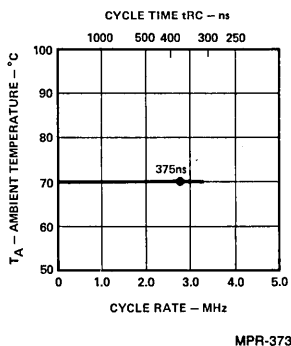


Figure 1.

ADDRESSING

14 address bits are required to select one location out of the 16,384 cells in the memory. Two groups of 7 bits each are multiplexed onto the 7 address lines and latched into the internal address registers. Two negative-going external clocks are used to control the multiplexing. The Row Address Strobe (\overline{RAS}) enters the row address bits and the Column Address Strobe (\overline{CAS}) enters the column address bits.

When \overline{RAS} is inactive, the memory enters its low power standby mode. Once the row address has been latched, it need not be changed for successive operations within the same row, allowing high-speed page-mode operations.

Page-mode operations first establish the row address and then maintain \overline{RAS} low while \overline{CAS} is repetitively cycled and designated operations are performed. Any column address within the selected row may be accessed in any sequence. The maximum time that \overline{RAS} can remain low is the factor limiting the number of page-mode operations that can be performed.

Multiplexed addressing does not introduce extra delays in the access path. By inserting the row address first and the column address second, the memory takes advantage of the fact that the delay path through the memory is shorter for column addresses. The column address does not propagate through the cell matrix as the row address does and it can therefore arrive somewhat later than the row address without impacting the access time.

REFRESH

The Am9016 is a dynamic memory and each cell must be refreshed at least once every refresh interval in order to maintain the cell contents. Any operation that accesses a row serves to refresh all 128 cells in the row. Thus the refresh requirement is met by accessing all 128 rows at least once every refresh interval. This may be accomplished, in some applications, in the course of performing normal operations. Alternatively, special refresh operations may be initiated. These special operations could be simply additional conventional accesses or they could be " \overline{RAS} -only" cycles. Since only the rows need to be addressed, \overline{CAS} may be held high while \overline{RAS} is cycled and the appropriate row addresses are input. Power required for refreshing is minimized and simplified control circuitry will often be possible.

DATA INPUT/OUTPUT

Data is written into a selected cell by the combination of \overline{WE} and \overline{CAS} while \overline{RAS} is low. The later negative transition of \overline{WE} or \overline{CAS} strobes the data into the internal register. In a write cycle, if the \overline{WE} input is brought low prior to \overline{CAS} , the data is strobed by \overline{CAS} , and the set-up and hold times are referenced to \overline{CAS} . If the cycle is a read/write cycle then the data set-up and hold times are referenced to the negative edge of \overline{WE} .

In the read cycle the data is read by maintaining \overline{WE} in the high state throughout the portion of the memory cycle in which \overline{CAS} is low. The selected valid data will appear at the output within the specified access time.

DATA OUTPUT CONTROL

Any time \overline{CAS} is high the data output will be off. The output contains either one or zero during read cycle after the access time has elapsed. Data remains valid from the access time until \overline{CAS} is returned to the high state. The output data is the same polarity as the input data.

APPLICATION INFORMATION (Cont.)

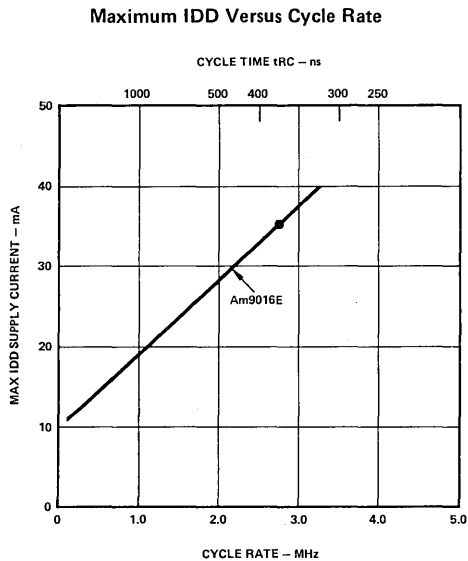
The user can control the output state during write operations by controlling the placement of the WE signal. In the "early write" cycle (see note 9) the output is at a high impedance state throughout the entire cycle.

POWER CONSIDERATIONS

$\overline{\text{RAS}}$ and/or $\overline{\text{CAS}}$ can be decoded and used as a chip select signal for the Am9016 but overall system power is minimized if $\overline{\text{RAS}}$ is used for this purpose. The devices which do not receive $\overline{\text{RAS}}$ will be in low power standby mode regardless of the state of CAS.

Figure 2 shows the change in I_{DD} supply current as a function of operating cycle rate.

At all times the Absolute Maximum Rating Conditions must be observed. During power supply sequencing VBB should never be more positive than VSS when power is applied to VDD.



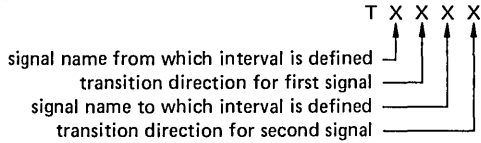
MPR-374

Figure 2.

PARAMETER ABBREVIATIONS

The Switching Characteristics table includes an extra column of parameter abbreviations. They illustrate a new type of specification nomenclature designed to help clarify signal symbols and make data sheet information more consistent.

All timing abbreviations use upper case characters with no subscripts. The initial character is always T and is followed by four descriptors that specify two signal points arranged in a 'from-to' sequence that define a timing interval. The descriptors for each signal point specify the signal name and the signal transitions. Thus the format is:

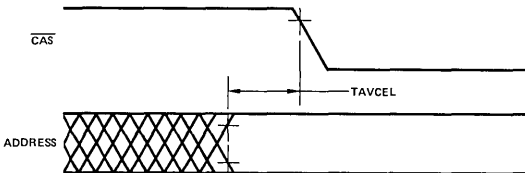


The signal definitions used in this data sheet are:

- A = Address
- D = Data In
- Q = Data Out
- W = Write Enable
- RE = Row Address Strobe
- CE = Column Address Strobe

The transition definitions used in this data sheet are:

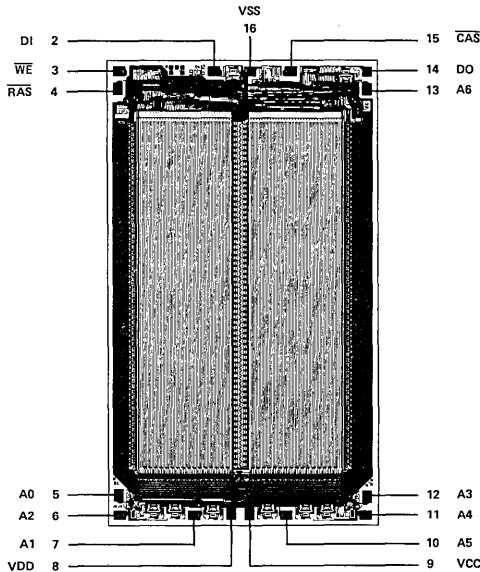
- H = transition to high
- L = transition to low
- V = transition to valid
- X = transition to invalid or don't care
- Z = transition to off (high impedance)



MPR-375

The drawing shows a column address setup time defined as TAVCEL, Address Valid to Column Enable Low time.

Metallization and Pad Layout



DIE SIZE 0.136" X 0.233"

Am9130 • Am91L30

1024 x 4 Static R/W Random Access Memories

DISTINCTIVE CHARACTERISTICS

- 1k X 4 organization
- Fully static data storage – no refreshing
- Single +5V power supply
- High-speed – access times down to 200ns max.
- Low operating power
 - 578mW max., 9130
 - 368mW max., 91L30
- Interface logic levels identical to TTL
- High noise immunity – 400mV worst-case
- High output drive – two standard TTL loads
- DC power-down mode – reduces power by >80%
- Single phase, low voltage, low capacitance clock
- Static clock may be stopped in either state
- Data register on-chip
- Address register on-chip
- Steady power drain – no large surges
- Unique Memory Status signal
 - improves performance
 - self clocking operation
- Full MIL temperature range available
- 100% MIL-STD-883 reliability assurance testing

GENERAL DESCRIPTION

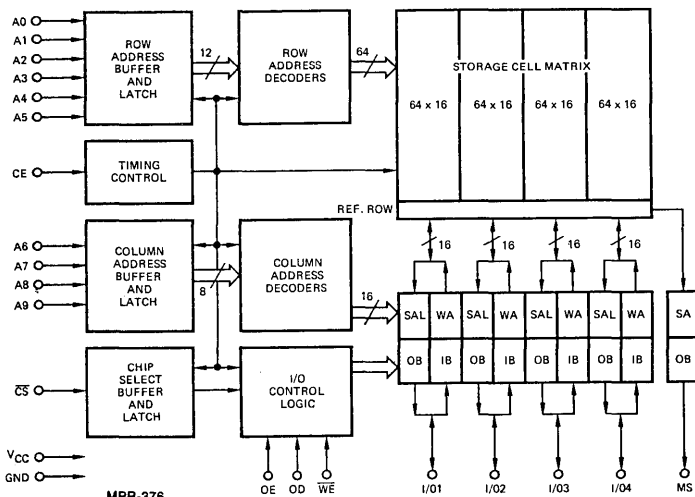
The Am9130 and Am91L30 products are high performance, adaptive, low-power, 4k-bit, static, read/write random access memories. They are implemented as 1024 words by 4 bits per word. Only a single +5V power supply is required for normal operation. A DC power-down mode reduces power while retaining data with a supply voltage as low as 1.5V.

All interface signal levels are identical to TTL specifications, providing good noise immunity and simplified system design. All inputs are purely capacitive MOS loads. The outputs will drive two full TTL loads or more than eight low-power Schottky loads.

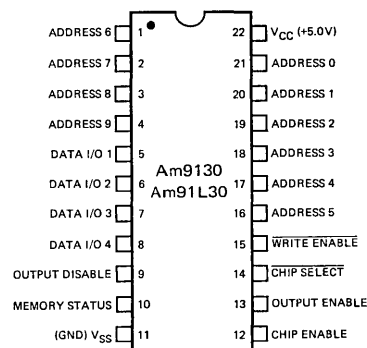
Operational cycles are initiated when the Chip Enable clock goes HIGH. When the read or write is complete, Chip Enable goes LOW to preset the memory for the next cycle. Address and Chip Select signals are latched on-chip to simplify system timing. Output data is also latched and is available until the next operating cycle. The WE signal is HIGH for all read operations and is LOW during the Chip Enable time to perform a write. Data In and Data Out signals share common I/O pins.

Memory Status is an output signal that indicates when data is actually valid and when the preset interval is complete. It can be used to generate the CE input and to improve the memory performance.

BLOCK DIAGRAM



CONNECTION DIAGRAM



Top View

Pin 1 is marked for orientation.

MPR-377

ORDERING INFORMATION

| Package Type | Ambient Temperature | Power Type | Access Time | | | | |
|--------------|---------------------------------|------------|-------------|------------|------------|------------|-----------|
| | | | 500ns | 400ns | 300ns | 250ns | 200ns |
| Hermetic DIP | 0°C ≤ T _A ≤ +70°C | STD | Am9130ADC | Am9130BDC | Am9130CDC | Am9130DDC | Am9130EDC |
| | | LOW | Am91L30ADC | Am91L30BDC | Am91L30CDC | Am91L30DDC | |
| | -55°C ≤ T _A ≤ +125°C | STD | Am9130ADM | Am9130BDM | Am9130CDM | | |
| | | LOW | Am91L30ADM | Am91L30BDM | Am91L30CDM | | |

Am9130 • Am91L30

MAXIMUM RATINGS above which the useful life may be impaired

| | |
|---|-----------------|
| Storage Temperature | -65°C to +150°C |
| Ambient Temperature Under Bias | -55°C to +125°C |
| V _{CC} with Respect to V _{SS} | -0.5V to +7.0V |
| All Signal Voltages with Respect to V _{SS} | -0.5V to +7.0V |
| Power Dissipation | 1.25W |

The products described by this specification include internal circuitry designed to protect input devices from damaging accumulations of static charge. It is suggested, nevertheless, that conventional precautions be observed during storage, handling and use in order to avoid exposure to excessive voltages.

OPERATING RANGE

POWER-DOWN RANGE

| V _{CC} | V _{SS} | V _{CC} | V _{SS} | Ambient Temperature | Part Number |
|---------------------------------|-----------------|--------------------------------|-----------------|---------------------------------|-------------|
| 4.75V < V _{CC} < 5.25V | 0V | 1.5V < V _{CC} < 5.25V | 0V | 0°C < T _A < +70°C | AM91X30XDC |
| 4.50V < V _{CC} < 5.50V | 0V | 1.5V < V _{CC} < 5.50V | 0V | -55°C < T _A < +125°C | AM91X30XDM |

ELECTRICAL CHARACTERISTICS over operating range (Note 1)

Am9130

Am91L30

| Parameters | Description | Test Conditions | Am9130 | | | Am91L30 | | | Units |
|------------------|--------------------------------|--|--------------------------------|------|-----------------|---------|------|-----------------|-------|
| | | | Min. | Typ. | Max. | Min. | Typ. | Max. | |
| V _{OH} | Output HIGH Voltage | I _{OH} = -200µA | V _{CC} = 4.75V 2.4 | | | 2.4 | | | Volts |
| V _{OL} | Output LOW Voltage | I _{OL} = 3.2mA | V _{CC} = 4.5V 2.2 | | 0.4 | 2.2 | | 0.4 | Volts |
| V _{IH} | Input HIGH Voltage | | 2.0 | | V _{CC} | 2.0 | | V _{CC} | Volts |
| V _{IL} | Input LOW Voltage | | -0.5 | | 0.8 | -0.5 | | 0.8 | Volts |
| I _{LI} | Input Load Current | V _{SS} < V _{IN} < V _{CC} | | | 10 | | | 10 | µA |
| I _{LO} | Output Leakage Current | V _{SS} < V _{OUT} < V _{CC} , Output disabled | | | 10 | | | 10 | µA |
| I _{CC} | V _{CC} Supply Current | Max. V _{CC} Output disabled | T _A = 25°C | 50 | 100 | 40 | 65 | mA | |
| | | | T _A = 0°C | | | | 70 | | |
| | | | T _A = -55°C | | | | 80 | | |
| C _{IA} | Input Capacitance (Address) | Test frequency = 1 MHz T _A = 25°C All pins at 0V | | 3.0 | 6.0 | 3.0 | 6.0 | pF | |
| C _{OUT} | Output Capacitance | | | 4.0 | 7.0 | 4.0 | 7.0 | pF | |
| C _{IC} | Input Capacitance (Control) | | | 6.0 | 9.0 | 6.0 | 9.0 | pF | |
| C _{I/O} | I/O Capacitance | | | 6.0 | 9.0 | 6.0 | 9.0 | pF | |

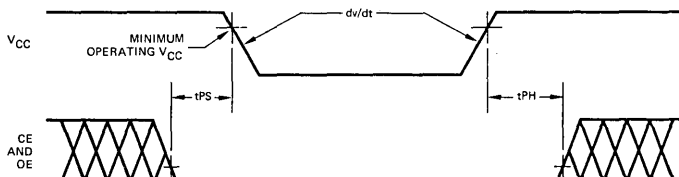
POWER DOWN CHARACTERISTICS

Am9130

Am91L30

| Parameter | Description | Test Conditions | Min. | Typ. | Max. | Min. | Typ. | Max. | Unit |
|-----------------|--|------------------------|------------------------|------|------|-----------------|------|------|------|
| dv/dt | V _{CC} Rate of Change | | | | 3.0 | | | 3.0 | V/µs |
| t _{PS} | Power Down Set-Up Time | | t _{EL} | | | t _{EL} | | | ns |
| t _{PH} | Power Up Hold Time | | t _{EL} | | | t _{EL} | | | ns |
| I _{PD} | I _{CC} in Standby (Note 2) | V _{CC} = 2.0V | T _A = 25°C | 36 | 72 | 28 | 55 | mA | |
| | | | T _A = 0°C | | 78 | | 60 | | |
| | | | T _A = -55°C | | 89 | | 68 | | |
| | | V _{CC} = 1.5V | T _A = 25°C | 20 | 52 | 16 | 45 | mA | |
| | | | T _A = 0°C | | 56 | | 48 | | |
| | | | T _A = -55°C | | 64 | | 55 | | |

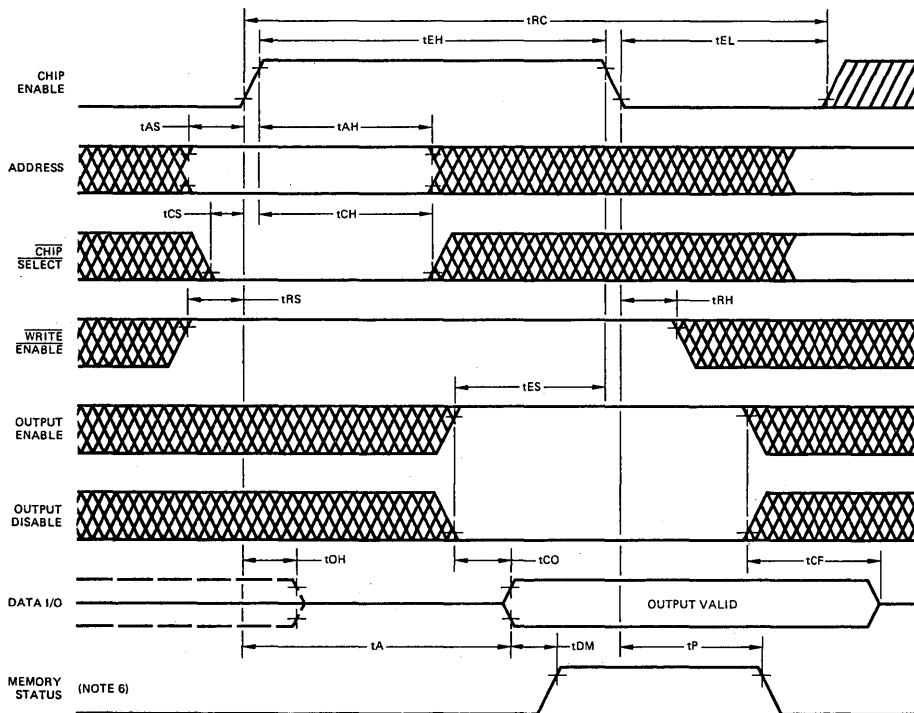
POWER DOWN WAVEFORM



SWITCHING CHARACTERISTICS over operating range
READ CYCLE (Notes 7, 8, 9)

| Parameter | Description | Am9130A Am91L30A | | Am9130B Am91L30B | | Am9130C Am91L30C | | Am9130D Am91L30D | | Am9130E | | Unit |
|-----------|--|---------------------|------|---------------------|------|---------------------|------|---------------------|------|---------|------|------|
| | | Min. | Max. | Min. | Max. | Min. | Max. | Min. | Max. | Min. | Max. | |
| tRC | Read Cycle Time (Note 5) | 770 | | 620 | | 470 | | 395 | | 320 | | ns |
| tA | Access Time (Note 3) (CE to Output Valid Delay) | | 500 | | 400 | | 300 | | 250 | | 200 | ns |
| tEH | Chip Enable HIGH Time (Note 14) | 500 | | 400 | | 300 | | 250 | | 200 | | ns |
| tEL | Chip Enable LOW Time (Note 14) | 250 | | 200 | | 150 | | 125 | | 100 | | ns |
| tCH | Chip Enable to Chip Select Hold Time | 200 | | 170 | | 150 | | 130 | | 120 | | ns |
| tAH | Chip Enable to Address Hold Time | 200 | | 170 | | 150 | | 130 | | 120 | | ns |
| tCS | Chip Select to CE Set-Up Time (Note 4) | -5 | | -5 | | -5 | | -5 | | -5 | | ns |
| tAS | Address to Chip Enable Set-Up Time | 0 | | 0 | | 0 | | 0 | | 0 | | ns |
| tRS | Read to Chip Enable Set-Up Time | 0 | | 0 | | 0 | | 0 | | 0 | | ns |
| tRH | Chip Enable to Read Hold Time | 0 | | 0 | | 0 | | 0 | | 0 | | ns |
| tOH | Chip Enable to Output OFF Delay (Note 3) | 0 | | 0 | | 0 | | 0 | | 0 | | ns |
| tCF | OE or OD to Output OFF Delay (Note 11) | | 200 | | 165 | | 135 | | 115 | | 100 | ns |
| tCO | OE or OD to Output ON Delay (Note 11) | | 220 | | 185 | | 150 | | 125 | | 110 | ns |
| tES | Output Enable to CE LOW Set-Up Time (Note 12) | 90 | | 75 | | 60 | | 55 | | 50 | | ns |
| tDM | Data Out to Memory Status Delay | 0 | | 0 | | 0 | | 0 | | 0 | | ns |
| tP | Internal Preset Interval (Note 14) | | tEL | | tEL | | tEL | | tEL | | tEL | ns |

SWITCHING WAVEFORMS
READ CYCLE



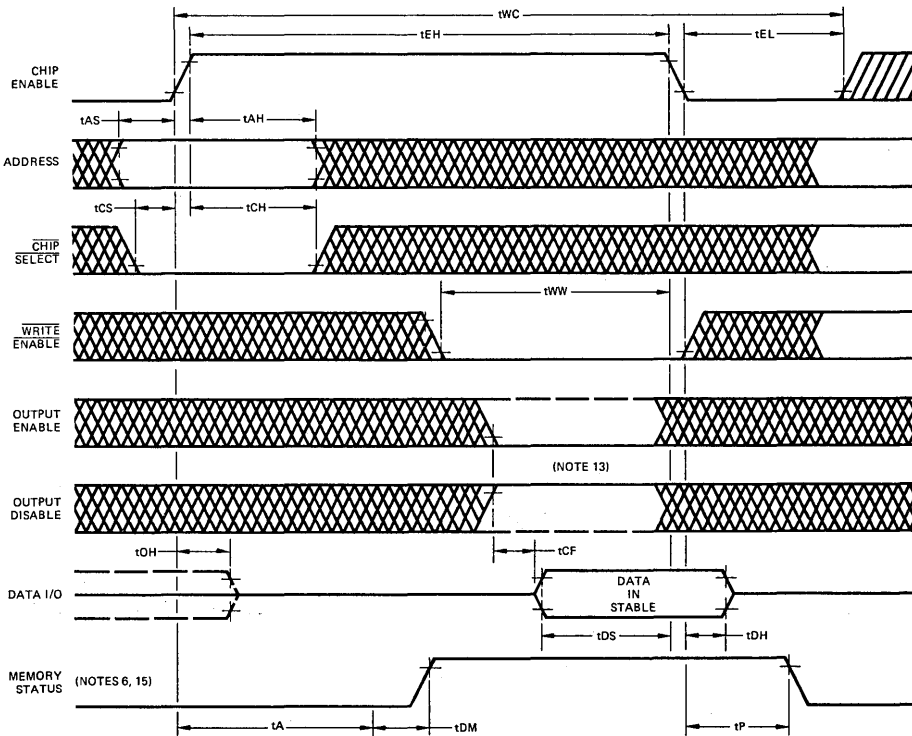
Am9130 • Am91L30

SWITCHING CHARACTERISTICS over operating range

WRITE CYCLE (Notes 7, 8, 9)

| Parameter | Description | Am9130A | | Am9130B | | Am9130C | | Am9130D | | Am9130E | | Unit |
|-----------|--|---------|------|---------|------|---------|------|---------|------|---------|------|------|
| | | Min. | Max. | Min. | Max. | Min. | Max. | Min. | Max. | Min. | Max. | |
| tWC | Write Cycle Time (Note 5) | 770 | | 620 | | 470 | | 395 | | 320 | | ns |
| tA | Access Time (CE to Output ON Delay) | | 500 | | 400 | | 300 | | 250 | | 200 | ns |
| tEH | Chip Enable HIGH Time (Notes 14, 15) | 500 | | 400 | | 300 | | 250 | | 200 | | ns |
| tEL | Chip Enable LOW Time (Notes 14, 15) | 250 | | 200 | | 150 | | 125 | | 100 | | ns |
| tAS | Address to Chip Enable Set-Up Time | 0 | | 0 | | 0 | | 0 | | 0 | | ns |
| tAH | Chip Enable to Address Hold Time | 200 | | 170 | | 150 | | 130 | | 120 | | ns |
| tCS | Chip Select to CE Set-Up Time (Note 4) | -5 | | -5 | | -5 | | -5 | | -5 | | ns |
| tCH | Chip Enable to Chip Select Hold Time | 200 | | 170 | | 150 | | 130 | | 120 | | ns |
| tWW | Write Pulse Width (Note 10) | 200 | | 165 | | 135 | | 115 | | 100 | | ns |
| tDS | Data Input Set-Up Time (Note 10) | 200 | | 165 | | 135 | | 115 | | 100 | | ns |
| tDH | Data Input Hold Time (Note 10) | 0 | | 0 | | 0 | | 0 | | 0 | | ns |
| tDM | Data Out to Memory Status Delay | 0 | | 0 | | 0 | | 0 | | 0 | | ns |
| tP | Internal Preset Interval | | tEL | | tEL | | tEL | | tEL | | tEL | ns |

SWITCHING WAVEFORMS
WRITE CYCLE

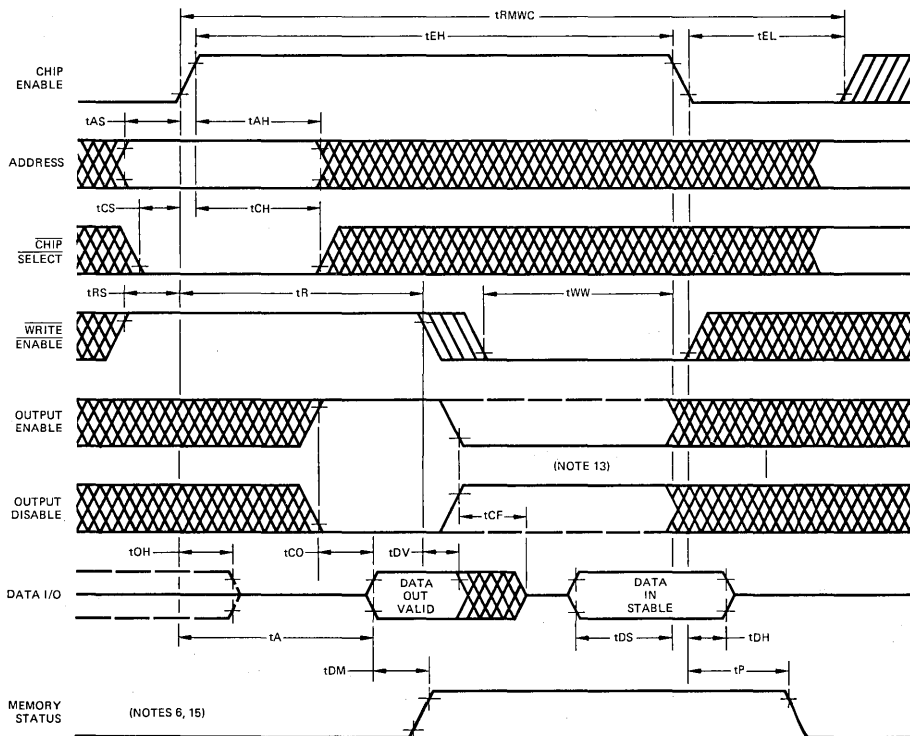


SWITCHING CHARACTERISTICS over operating range

READ/MODIFY/WRITE CYCLE (Notes 7, 8, 9)

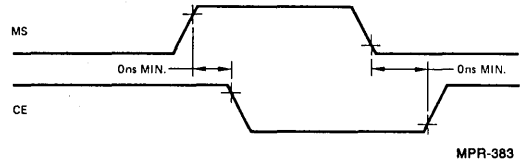
| Parameter | Description | Am9130A Am91L30A | | Am9130B Am91L30B | | Am9130C Am91L30C | | Am9130D Am91L30D | | Am9130E | | Unit |
|-----------|--|---------------------|------|---------------------|------|---------------------|------|---------------------|------|---------|------|------|
| | | Min. | Max. | Min. | Max. | Min. | Max. | Min. | Max. | Min. | Max. | |
| tRMWC | R/M/W Cycle Time (Notes 5, 16) | 1170 | | 950 | | 740 | | 625 | | 520 | | ns |
| tA | Access Time (CE to Output Valid Delay) | | 500 | | 400 | | 300 | | 250 | | 200 | ns |
| tEH | Chip Enable HIGH Time (Notes 14, 15) | 900 | | 730 | | 570 | | 480 | | 400 | | ns |
| tEL | Chip Enable LOW Time (Notes 14, 15) | 250 | | 200 | | 150 | | 125 | | 100 | | ns |
| tCH | Chip Enable to Chip Select Hold Time | 200 | | 170 | | 150 | | 130 | | 120 | | ns |
| tAH | Chip Enable to Address Hold Time | 200 | | 170 | | 150 | | 130 | | 120 | | ns |
| tCS | Chip Select to CE Set-Up Time (Note 4) | -5 | | -5 | | -5 | | -5 | | -5 | | ns |
| tAS | Address to Chip Enable Set-Up Time | 0 | | 0 | | 0 | | 0 | | 0 | | ns |
| tRS | Read to Chip Enable Set-Up Time | 0 | | 0 | | 0 | | 0 | | 0 | | ns |
| tOH | Chip Enable to Output OFF Delay | 0 | | 0 | | 0 | | 0 | | 0 | | ns |
| tDH | Data Input Hold Time (Note 10) | 0 | | 0 | | 0 | | 0 | | 0 | | ns |
| tDS | Data Input Set-Up Time (Note 10) | 200 | | 165 | | 135 | | 115 | | 100 | | ns |
| tWW | Write Pulse Width (Note 10) | 200 | | 165 | | 135 | | 115 | | 100 | | ns |
| tCF | OE or OD to Output OFF Delay (Note 11) | | 200 | | 165 | | 135 | | 115 | | 100 | ns |
| tCO | OE or OD to Output ON Delay (Note 11) | | 220 | | 185 | | 150 | | 125 | | 110 | ns |
| tDV | Data Valid after Write Delay | 10 | | 10 | | 10 | | 10 | | 10 | | ns |
| tR | Read Mode Hold Time | tA | | tA | | tA | | tA | | tA | | ns |
| tDM | Data Out to Memory Status Delay | 0 | | 0 | | 0 | | 0 | | 0 | | ns |
| tP | Internal Preset Interval | | tEL | | tEL | | tEL | | tEL | | tEL | ns |

SWITCHING CHARACTERISTICS
READ/MODIFY/WRITE CYCLE

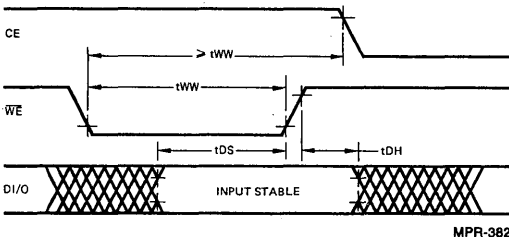


NOTES:

1. Typical operating supply current values are specified for nominal processing parameters, nominal supply voltage and the specific ambient temperature shown.
2. Typical power-down supply current values are specified for nominal processing parameters, the specific supply voltage shown and the specific ambient temperature shown.
3. At any operating temperature the minimum access time, $t_A(\text{min.})$, will be greater than the maximum CE to output OFF delay, $t_{OH}(\text{max.})$.
4. The negative value shown indicates that the Chip Select input may become valid as late as 5ns following the start of the Chip Enable rising edge.
5. The worst-case cycle times are the sum of CE rise time, t_{EH} , CE fall time and t_{EL} . The cycle time values shown include the worst-case t_{EH} and t_{EL} requirements and assume CE transition times of 10ns.
6. The Memory Status signal is a two-state output and is not affected by the Output Disable or Output Enable signals. If the output data buffers are turned off, Memory Status will continue to reflect the internal status of the memory.
7. Output loading is assumed to be one standard TTL gate plus 50pF of capacitance.
8. Timing reference levels for both input and output signals are 0.8V and 2.0V.
9. CE and \overline{WE} transition times are assumed to be $\leq 10\text{ns}$.
10. The internal write time of the memory is defined by the overlap of CE high and \overline{WE} low. Both signals must be present on a selected chip to initiate a write. Either signal can terminate a write. The t_{WW} , t_{DS} and t_{DH} specifications should all be referenced to the end of the write time. The Write Cycle timing diagram shows termination by the falling edge of CE. If termination is defined by bringing \overline{WE} high while CE is high, the following timing applies:
11. The output data buffer can be ON and output data valid only when Output Enable is high and Output Disable is low. OE and OD perform the same function with opposite control polarity.
12. The output data buffer should be enabled before the falling edge of CE in order to read output information. When the output is disabled and CE is low, the output data register is cleared.
13. Input and output data are the same polarity.
14. The Chip Enable waveform requirements may be defined by the Memory Status output waveform. For a read cycle, the basic CE requirement is that $t_{EH} \geq t_A$ and $t_{EL} \geq t_P$:



15. The Memory Status output functions as if all operations are read cycles. If a write cycle begins with \overline{WE} low and Data In stable at the time CE goes high, the rising edge of MS may be used as an indication that the write is complete and CE may be brought low. In a cycle where \overline{WE} goes low at some point within the CE high time, the rising edge of MS should be ignored as an indication of write status. The falling edge of MS is always valid independent of the type of operation being performed.
16. For the R/M/W cycle, $t_{EH}(\text{min.})$ is defined as $t_R(\text{min.}) + t_{CF}(\text{max.}) + t_{DS}(\text{min.})$. This provides a conservative design with no I/O overlap and assumes that t_{CF} begins at the end of the t_R time. Other designs with somewhat shorter R/M/W cycles are possible.



FUNCTION DESCRIPTION

Block Diagram

The block diagram for the Am9130 shows the interface connections along with the general signal flow. There are ten address lines (A0 through A9) that are used to specify one of 1024 locations, with each location containing 4 bits. The Chip Select signal acts as a high order address. The Chip Enable clock latches the addresses into the address registers and controls the sequence of internal activities.

The row address signals (A0 through A5) and their inversions are distributed to the 64 row address decoders where one of

the rows is selected. The 64 cells on the selected row are then connected to their respective bit line columns. Meanwhile, the column address signals (A6 through A9) are decoded and used to select 4 of 64 columns for the sense amplifiers. Thus a single cell is connected to each output path.

During read operations, the sensed data is latched into the output register and is available for the balance of the operating cycle. During write operations, the write amplifier is turned on and drives the input data onto the sense lines, up the column

bit lines and into the selected cell. Read and write data are the same polarity.

The data buffer is three-state and unselected chips have their outputs turned off so that several may be wire-ored together. The Output Enable and Output Disable signals provide asynchronous controls for turning off the output buffers.

Within the storage matrix there is an extra row of simulated cells. This reference row is selected on every operating cycle in addition to the addressed row and provides internal timing signals that control the data flow through the memory. The Memory Status output signal is derived from the reference row and uses the same designs for its sense and buffer circuits as used by the data bits.

Chip Enable

The Chip Enable input is a control clock that coordinates all internal activities. The rising edge of CE begins each cycle and strobes the Address and Chip Select signals into the on-chip register. Internal timing signals are derived from CE and from transitions of the address latches and the reference cells.

When the actual access time of the part has been reached (or a write operation is complete), CE may be switched low if desired. The worst-case time as specified in the data sheet may be used to determine the access. Alternatively, the access or write-complete time indicated by the rising edge of the Memory Status output signal may be used.

When CE goes low, the internal preset operation begins. The memory is ready for a new cycle only after the preset is complete. The worst-case CE low time specified in the data sheet may be used to determine the preset interval. Alternatively, the actual preset time is indicated as complete when Memory Status goes low.

There are no restrictions on the maximum times that CE may remain in either state so the clock may be extended or stopped whenever convenient. After power-on and before beginning a valid operation, the clock should be brought low to initially preset the memory.

Address and Chip Select

The Address inputs are latched into the on-chip address register by the rising edge of CE. Addresses must be held stable for the specified minimum time following the rising edge of CE in order to be properly loaded into the register. Following the address hold time, the address inputs are ignored by the memory until the next cycle is initiated.

The Chip Select input acts as a high order address for use when the system word capacity is larger than that of an individual chip. It allows the Address lines to be wired in parallel to all chips with the CS lines then used to select one active row of chips at a time. Unselected chips have their output buffers off so that selected chips wired to the same data lines can dominate the output bus. Only selected chips can perform write operations.

CS is latched in the same way that Addresses are. Once a memory is selected or deselected, it will remain that way until a new cycle with new select information begins.

Write Enable

The Write Enable line controls the read or write condition of the devices. When the CE clock is low, the WE signal may be in any state without affecting the memory. WE does not affect the status of the output buffer.

To execute a read cycle, WE is held high while CE is high. To perform a write operation, the WE line is switched low while CE is high. Only a narrow write pulse width is required to successfully write into a cell. In many cases, however, it will be convenient to leave the WE line low during the whole cycle.

A write cycle can take place only when three conditions are met: The chip is selected, CE is high, and WE is low. This means that if either CE goes low or WE goes high, the writing is terminated.

Data In and Data Out

The requirements for incoming data during a write operation show a minimum set-up time with respect to the termination of the write. Termination occurs when either WE goes high or CE goes low. If incoming data changes during a write operation, the information finally written in the cell will be that stable data preceding the termination by the set-up time. Since the data being written during a write cycle is impressed on the sense amplifier inputs, the output data will be the same as the input once the write is established.

During a read cycle, once all of the addressing is complete and the cell information has propagated through the sense amplifier, it enters the output data register. The read information can also flow through to the output if the buffer is enabled. As long as CE is high, the addressing remains valid and the output data will be stable. When CE goes low to begin the internal preset operation, the output information is latched into the data register. It will remain latched and stable as long as CE is low. If the output is disabled when CE is low, the output data register is cleared. At the start of every cycle when CE goes high, the output data latch is cleared in preparation for new information to come from the sense amplifier, and the output buffer is turned off.

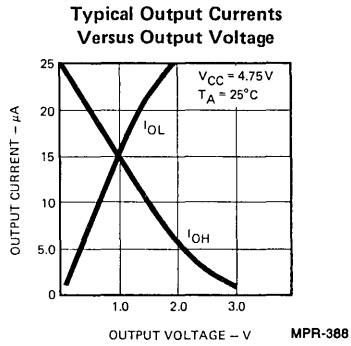
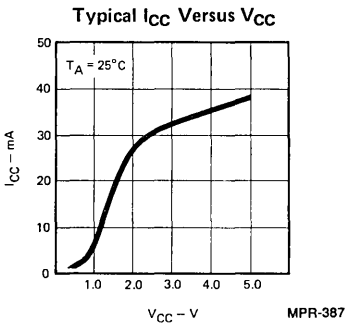
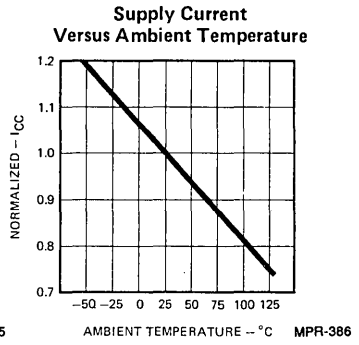
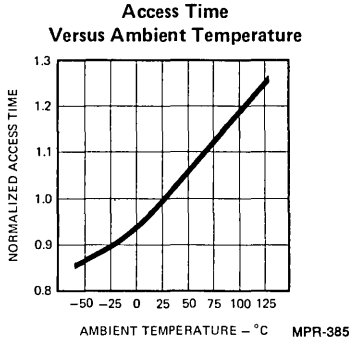
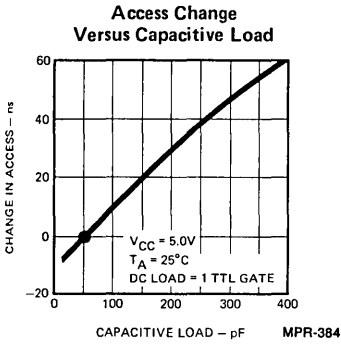
OE and OD are designed to provide asynchronous control of the output buffer independent of the synchronous Chip Select control. The OE and OD control lines perform the same internal function except that one is inverted from the other. If either OE is low or OD is high, the output buffer will turn off. If the CS input is latched low and OE is high and OD is low, then the output buffer can turn on when data is available.

Memory Status

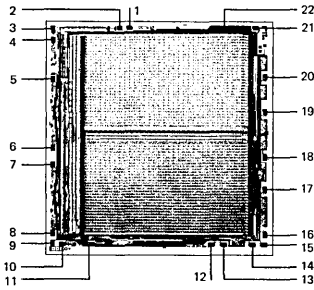
The Memory Status output is derived from the actual performance of the reference row of cells. Since the reference row is always doing a read operation, the MS output will appear in every operating cycle, whether a read or write is being performed. MS uses the same output circuitry as used in the data path. The result is that Memory Status tracks very closely the true operating performance of the memory.

The rising edge of MS indicates when output data is valid and tracks changes in access time with changing operating conditions. The rising edge also specifies the end of the time that CE must be held high for a read. CE may be high as long as desired, but may safely go low any time after MS goes high. The falling edge of MS occurs after CE goes low and the internal preset period is complete. It indicates that CE may go high to begin a new cycle. See the Am9130/40 Application Note for details.

CHARACTERISTICS

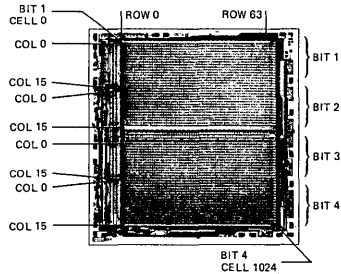


Metalization and Pad Layout



DIE SIZE 0.192" X 0.197"

Bit Map



For bit mapping purposes:
 Row address LSB = A5, MSB = A0
 Column address LSB = A6, MSB = A9

Am9140 • Am91L40

4096 x 1 Static R/W Random Access Memories

DISTINCTIVE CHARACTERISTICS

- 4k X 1 organization
- Fully static data storage — no refreshing
- Single +5V power supply
- High-speed — access times down to 200ns max.
- Low operating power
 - 578mW max., 9140
 - 368mW max., 91L40
- Interface logic levels identical to TTL
- High noise immunity — 400mV worst-case
- High output drive — two standard TTL loads
- DC power-down mode — reduces power by >80%
- Single phase, low voltage, low capacitance clock
- Static clock may be stopped in either state
- Data register on-chip
- Address register on-chip
- Steady power drain — no large surges
- Unique Memory Status signal
 - improves performance
 - self-clocking operation
- Full MIL temperature range available
- 100% MIL-STD-883 reliability assurance testing

GENERAL DESCRIPTION

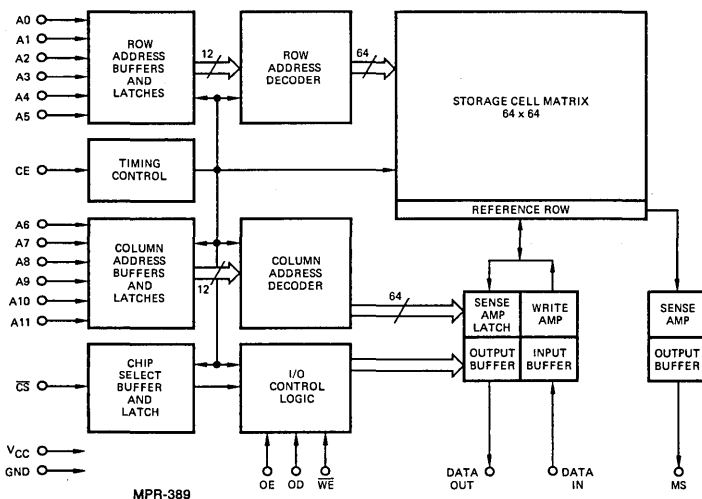
The Am9140 and Am91L40 products are high performance, adaptive, low-power, 4k-bit, static, read/write random access memories. They are implemented as 4096 words by 1 bit per word. Only a single +5V power supply is required for normal operation. A DC power down mode reduces power while retaining data with a supply voltage as low as 1.5V.

All interface signal levels are identical to TTL specifications, providing good noise immunity and simplified system design. All inputs are purely capacitive MOS loads. The outputs will drive two full TTL loads or more than eight low-power Schottky loads.

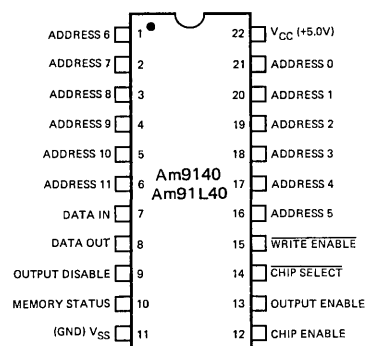
Operational cycles are initiated when the Chip Enable clock goes HIGH. When the read or write is complete, Chip Enable goes LOW to preset the memory for the next cycle. Address and Chip Select signals are latched on-chip to simplify system timing. Output data is also latched and is available until the next operating cycle. The WE signal is HIGH for all read operations and is LOW during the Chip Enable time to perform a write.

Memory Status is an output signal that indicates when data is actually valid and when the preset interval is complete. It can be used to generate the CE input and to improve the memory performance.

BLOCK DIAGRAM



CONNECTION DIAGRAM



Top View

Pin 1 is marked for orientation.

MPR-390

ORDERING INFORMATION

| Package Type | Ambient Temperature | Power Type | Access Time | | | | |
|--------------|---------------------|------------|-------------|------------|------------|------------|-----------|
| | | | 500ns | 400ns | 300ns | 250ns | 200ns |
| Hermetic DIP | 0°C ≤ TA ≤ +70°C | STD | Am9140ADC | Am9140BDC | Am9140CDC | Am9140DDC | Am9140EDC |
| | | LOW | Am91L40ADC | Am91L40BDC | Am91L40CDC | Am91L40DDC | |
| | -55°C ≤ TA ≤ +125°C | STD | Am9140ADM | Am9140BDM | Am9140CDM | | |
| | | LOW | Am91L40ADM | Am91L40BDM | Am91L40CDM | | |

Am9140 • Am91L40

MAXIMUM RATINGS above which the useful life may be impaired

| | |
|---|-----------------|
| Storage Temperature | -65°C to +150°C |
| Ambient Temperature Under Bias | -55°C to +125°C |
| V _{CC} with Respect to V _{SS} | -0.5V to +7.0V |
| All Signal Voltages with Respect to V _{SS} | -0.5V to +7.0V |
| Power Dissipation | 1.25W |

The products described by this specification include internal circuitry designed to protect input devices from damaging accumulations of static charge. It is suggested, nevertheless, that conventional precautions be observed during storage, handling and use in order to avoid exposure to excessive voltages.

OPERATING RANGE

POWER DOWN RANGE

| V _{CC} | V _{SS} | V _{CC} | V _{SS} | Ambient Temperature | Part Number |
|---------------------------------|-----------------|--------------------------------|-----------------|---------------------------------|-------------|
| 4.75V < V _{CC} < 5.25V | 0V | 1.5V < V _{CC} < 5.25V | 0V | 0°C < T _A < +70°C | AM91X40XDC |
| 4.50V < V _{CC} < 5.50V | 0V | 1.5V < V _{CC} < 5.50V | 0V | -55°C < T _A < +125°C | AM91X40XDM |

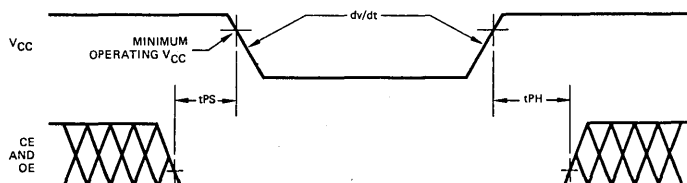
ELECTRICAL CHARACTERISTICS over operating range (Note 1)

| Parameters | Description | Test Conditions | Am9140 | | | Am91L40 | | | Units |
|------------------|--------------------------------|--|--------------------------------|------|-----------------|---------|------|-----------------|-------|
| | | | Min. | Typ. | Max. | Min. | Typ. | Max. | |
| V _{OH} | Output HIGH Voltage | I _{OH} = -200µA | V _{CC} = 4.75V 2.4 | | | 2.4 | | | Volts |
| V _{OL} | Output LOW Voltage | I _{OL} = 3.2mA | | | 0.4 | | | 0.4 | Volts |
| V _{IH} | Input HIGH Voltage | | 2.0 | | V _{CC} | 2.0 | | V _{CC} | Volts |
| V _{IL} | Input LOW Voltage | | -0.5 | | 0.8 | -0.5 | | 0.8 | Volts |
| I _{LI} | Input Load Current | V _{SS} < V _{IN} < V _{CC} | | | 10 | | | 10 | µA |
| I _{LO} | Output Leakage Current | V _{SS} < V _{OUT} < V _{CC} , Output disabled | | | 10 | | | 10 | µA |
| I _{CC} | V _{CC} Supply Current | Max. V _{CC} Output disabled | T _A = 25°C | 50 | 100 | 40 | 65 | mA | |
| | | | T _A = 0°C | | 110 | | 70 | | |
| | | | T _A = -55°C | | 125 | | 80 | | |
| C _{IA} | Input Capacitance (Address) | Test frequency = 1 MHz T _A = 25°C All pins at 0V | | 3.0 | 6.0 | 3.0 | 6.0 | pF | |
| C _{OUT} | Output Capacitance | | | 4.0 | 7.0 | 4.0 | 7.0 | pF | |
| C _{IC} | Input Capacitance (Control) | | | 6.0 | 9.0 | 6.0 | 9.0 | pF | |

POWER DOWN CHARACTERISTICS

| Parameter | Description | Test Conditions | Am9140 | | | Am91L40 | | | Unit |
|-----------------|-------------------------------------|------------------------|------------------------|------|------|-----------------|------|------|------|
| | | | Min. | Typ. | Max. | Min. | Typ. | Max. | |
| dv/dt | V _{CC} Rate of Change | | | | 3.0 | | | 3.0 | V/µs |
| t _{PS} | Power Down Set-Up Time | | t _{EL} | | | t _{EL} | | | ns |
| t _{PH} | Power Up Hold Time | | t _{EL} | | | t _{EL} | | | ns |
| I _{PD} | I _{CC} in Standby (Note 2) | V _{CC} = 2.0V | T _A = 25°C | 36 | 72 | | 28 | 55 | mA |
| | | | T _A = 0°C | | 78 | | | 60 | mA |
| | | | T _A = -55°C | | 89 | | | 68 | mA |
| | | V _{CC} = 1.5V | T _A = 25°C | 20 | 52 | | 16 | 45 | mA |
| | | | T _A = 0°C | | 56 | | | 48 | mA |
| | | | T _A = -55°C | | 64 | | | 55 | mA |

POWER DOWN WAVEFORM



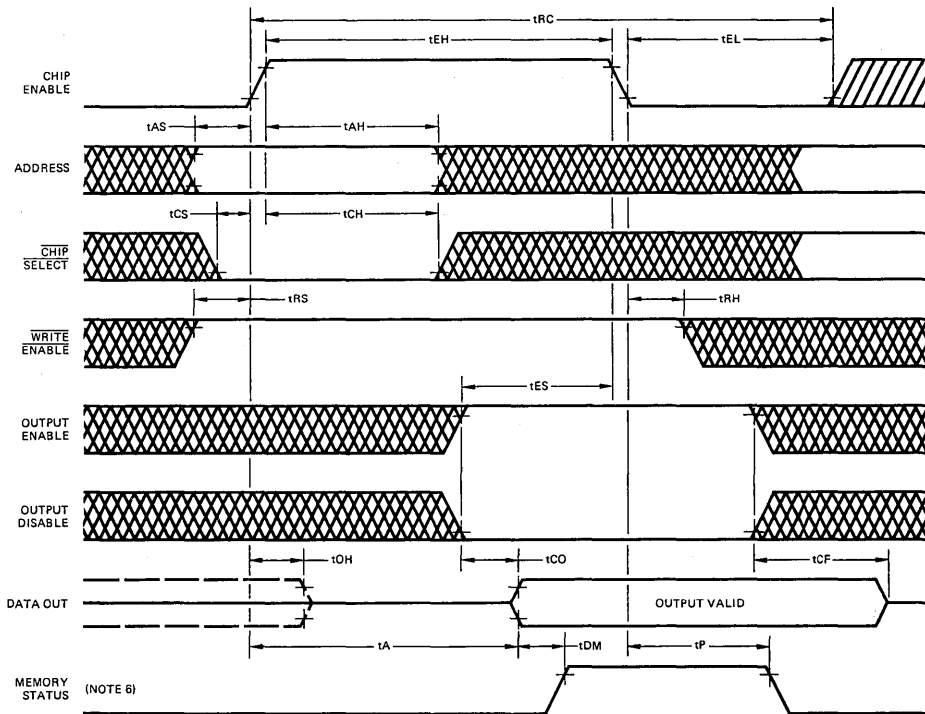
MPR-391

SWITCHING CHARACTERISTICS over operating range

READ CYCLE (Notes 7, 8, 9)

| Parameter | Description | Am9140A Am91L40A | | Am9140B Am91L40B | | Am9140C Am91L40C | | Am9140D Am91L40D | | Am9140E | | Unit |
|-----------|--|---------------------|------|---------------------|------|---------------------|------|---------------------|------|---------|------|------|
| | | Min. | Max. | Min. | Max. | Min. | Max. | Min. | Max. | Min. | Max. | |
| tRC | Read Cycle Time (Note 5) | 770 | | 620 | | 470 | | 395 | | 320 | | ns |
| tA | Access Time (Note 3) (CE to Output Valid Delay) | | 500 | | 400 | | 300 | | 250 | | 200 | ns |
| tEH | Chip Enable HIGH Time (Note 14) | 500 | | 400 | | 300 | | 250 | | 200 | | ns |
| tEL | Chip Enable LOW Time (Note 14) | 250 | | 200 | | 150 | | 125 | | 100 | | ns |
| tCH | Chip Enable to Chip Select Hold Time | 200 | | 170 | | 150 | | 130 | | 120 | | ns |
| tAH | Chip Enable to Address Hold Time | 200 | | 170 | | 150 | | 130 | | 120 | | ns |
| tCS | Chip Select to CE Set-Up Time (Note 4) | -5 | | -5 | | -5 | | -5 | | -5 | | ns |
| tAS | Address to Chip Enable Set-Up Time | 0 | | 0 | | 0 | | 0 | | 0 | | ns |
| tRS | Read to Chip Enable Set-Up Time | 0 | | 0 | | 0 | | 0 | | 0 | | ns |
| tRH | Chip Enable to Read Hold Time | 0 | | 0 | | 0 | | 0 | | 0 | | ns |
| tOH | Chip Enable to Output OFF Delay (Note 3) | 0 | | 0 | | 0 | | 0 | | 0 | | ns |
| tCF | OE or OD to Output OFF Delay (Note 11) | | 200 | | 165 | | 135 | | 115 | | 100 | ns |
| tCO | OE or OD to Output ON Delay (Note 11) | | 220 | | 185 | | 150 | | 125 | | 110 | ns |
| tES | Output Enable to CE LOW Set-Up Time (Note 12) | 90 | | 75 | | 60 | | 55 | | 50 | | ns |
| tDM | Data Out to Memory Status Delay | 0 | | 0 | | 0 | | 0 | | 0 | | ns |
| tP | Internal Preset Interval (Note 14) | | tEL | | tEL | | tEL | | tEL | | tEL | ns |

SWITCHING WAVEFORMS
READ CYCLE



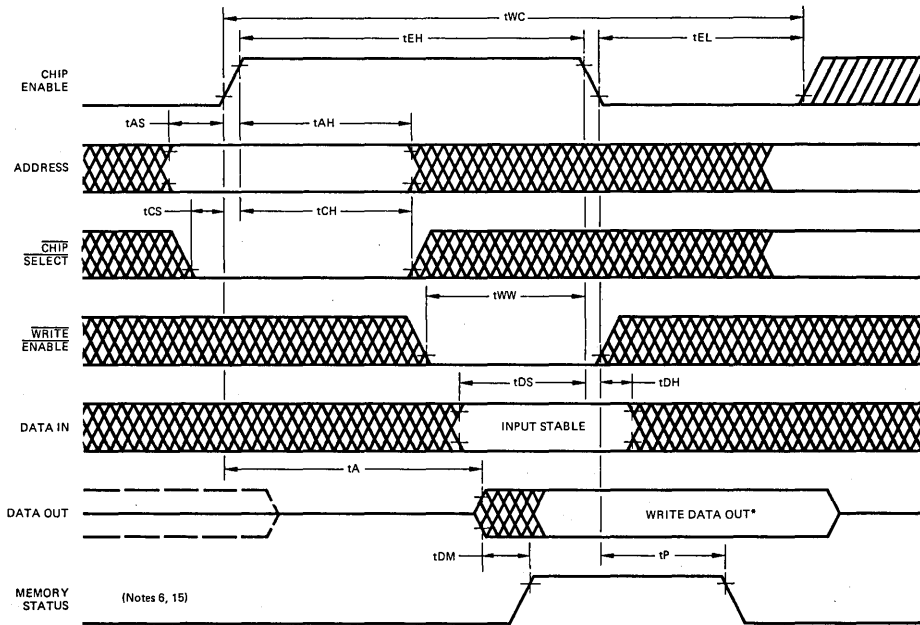
Am9140 • Am91L40

SWITCHING CHARACTERISTICS over operating range

WRITE CYCLE (Notes 7, 8, 9)

| Parameter | Description | Am9140A | | Am9140B | | Am9140C | | Am9140D | | Am9140E | | Unit |
|-----------|--|---------|------|---------|------|---------|------|---------|------|---------|------|------|
| | | Min. | Max. | Min. | Max. | Min. | Max. | Min. | Max. | Min. | Max. | |
| tWC | Write Cycle Time (Note 5) | 770 | | 620 | | 470 | | 395 | | 320 | | ns |
| tA | Access Time (CE to Output ON Delay) | | 500 | | 400 | | 300 | | 250 | | 200 | ns |
| tEH | Chip Enable HIGH Time (Notes 14, 15) | 500 | | 400 | | 300 | | 250 | | 200 | | ns |
| tEL | Chip Enable LOW Time (Notes 14, 15) | 250 | | 200 | | 150 | | 125 | | 100 | | ns |
| tAS | Address to Chip Enable Set-Up Time | 0 | | 0 | | 0 | | 0 | | 0 | | ns |
| tAH | Chip Enable to Address Hold Time | 200 | | 170 | | 150 | | 130 | | 120 | | ns |
| tCS | Chip Select to CE Set-Up Time (Note 4) | -5 | | -5 | | -5 | | -5 | | -5 | | ns |
| tCH | Chip Enable to Chip Select Hold Time | 200 | | 170 | | 150 | | 130 | | 120 | | ns |
| tWW | Write Pulse Width (Note 10) | 200 | | 165 | | 135 | | 115 | | 100 | | ns |
| tDS | Data Input Set-Up Time (Note 10) | 200 | | 165 | | 135 | | 115 | | 100 | | ns |
| tDH | Data Input Hold Time (Note 10) | 0 | | 0 | | 0 | | 0 | | 0 | | ns |
| tDM | Data Out to Memory Status Delay | 0 | | 0 | | 0 | | 0 | | 0 | | ns |
| tP | Internal Preset Interval | | tEL | | tEL | | tEL | | tEL | | tEL | ns |

SWITCHING WAVEFORMS WRITE CYCLE



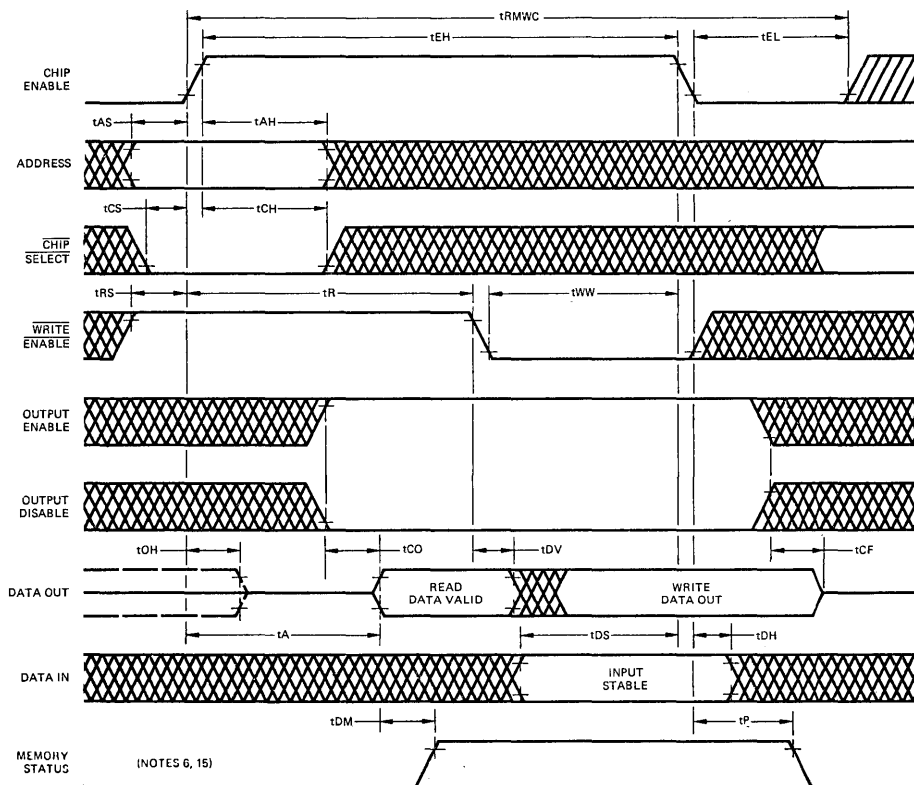
*Assumes output is enabled.

SWITCHING CHARACTERISTICS over operating range

READ/MODIFY/WRITE CYCLE (Notes 7, 8, 9)

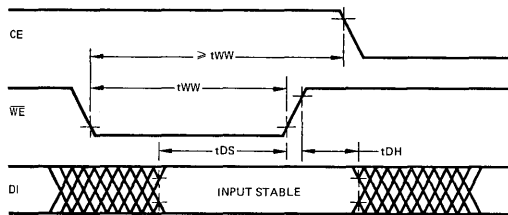
| Parameter | Description | Am9140A Am91L40A | | Am9140B Am91L40B | | Am9140C Am91L40C | | Am9140D Am91L40D | | Am9140E | | Unit |
|-----------|--|---------------------|------|---------------------|------|---------------------|------|---------------------|------|---------|------|------|
| | | Min. | Max. | Min. | Max. | Min. | Max. | Min. | Max. | Min. | Max. | |
| tRMWC | R/M/W Cycle Time (Notes 5, 16) | 970 | | 785 | | 605 | | 510 | | 420 | | ns |
| tA | Access Time (CE to Output Valid Delay) | | 500 | | 400 | | 300 | | 250 | | 200 | ns |
| tEH | Chip Enable HIGH Time (Notes 14, 15) | 700 | | 565 | | 435 | | 365 | | 300 | | ns |
| tEL | Chip Enable LOW Time (Notes 14, 15) | 250 | | 200 | | 150 | | 125 | | 100 | | ns |
| tCH | Chip Enable to Chip Select Hold Time | 200 | | 170 | | 150 | | 130 | | 120 | | ns |
| tAH | Chip Enable to Address Hold Time | 200 | | 170 | | 150 | | 130 | | 120 | | ns |
| tCS | Chip Select to CE Set-Up Time (Note 4) | -5 | | -5 | | -5 | | -5 | | -5 | | ns |
| tAS | Address to Chip Enable Set-Up Time | 0 | | 0 | | 0 | | 0 | | 0 | | ns |
| tRS | Read to Chip Enable Set-Up Time | 0 | | 0 | | 0 | | 0 | | 0 | | ns |
| tOH | Chip Enable to Output OFF Delay | 0 | | 0 | | 0 | | 0 | | 0 | | ns |
| tDH | Data Input Hold Time (Note 10) | 0 | | 0 | | 0 | | 0 | | 0 | | ns |
| tDS | Data Input Set-Up Time (Note 10) | 200 | | 165 | | 135 | | 115 | | 100 | | ns |
| tWW | Write Pulse Width (Note 10) | 200 | | 165 | | 135 | | 115 | | 100 | | ns |
| tCF | OE or OD to Output OFF Delay (Note 11) | | 200 | | 165 | | 135 | | 115 | | 100 | ns |
| tCO | OE or OD to Output ON Delay (Note 11) | | 220 | | 185 | | 150 | | 125 | | 110 | ns |
| tDV | Data Valid after Write Delay | 10 | | 10 | | 10 | | 10 | | 10 | | ns |
| tR | Read Mode Hold Time | tA | | tA | | tA | | tA | | tA | | ns |
| tDM | Data Out to Memory Status Delay | 0 | | 0 | | 0 | | 0 | | 0 | | ns |
| tP | Internal Preset Interval | | tEL | | tEL | | tEL | | tEL | | tEL | ns |

SWITCHING WAVEFORMS
READ/MODIFY/WRITE CYCLE



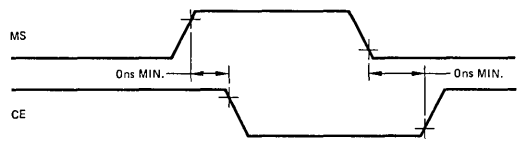
NOTES:

1. Typical operating supply current values are specified for nominal processing parameters, nominal supply voltage and the specific ambient temperature shown.
2. Typical power-down supply current values are specified for nominal processing parameters, the specific supply voltage shown and the specific ambient temperature shown.
3. At any operating temperature the minimum access time, $tA(\text{min.})$, will be greater than the maximum CE to output OFF delay, $tOH(\text{max.})$.
4. The negative value shown indicates that the Chip Select input may become valid as late as 5.0ns following the start of the Chip Enable rising edge.
5. The worst-case cycle times are the sum of CE rise time, tEH , CE fall time and tEL . The cycle time values shown include the worst-case tEH and tEL requirements and assume CE transition times of 10ns.
6. The Memory Status signal is a two-state output and is not affected by the Output Disable or Output Enable signals. If the output data buffers are turned off, Memory Status will continue to reflect the internal status of the memory.
7. Output loading is assumed to be one standard TTL gate plus 50pF of capacitance.
8. Timing reference levels for both input and output signals are 0.8V and 2.0V.
9. CE and \overline{WE} transition times are assumed to be $\leq 10\text{ns}$.
10. The internal write time of the memory is defined by the overlap of CE high and \overline{WE} low. Both signals must be present on a selected chip to initiate a write. Either signal can terminate a write. The tWW , tDS and tDH specifications should all be referenced to the end of the write time. The Write Cycle timing diagram shows termination by the falling edge of CE. If termination is defined by bringing \overline{WE} high while CE is high, the following timing applies:



MPR-395

11. The output data buffer can be ON and output data valid only when Output Enable is high and Output Disable is low. OE and OD perform the same function with opposite control polarity.
12. The output data buffer should be enabled before the falling edge of CE in order to read output information. When the output is disabled and CE is low, the output data register is cleared.
13. Input and output data are the same polarity.
14. The Chip Enable waveform requirements may be defined by the Memory Status output waveform. For a read cycle, the basic CE requirement is that $tEH \geq tA$ and $tEL \geq tP$:



MPR-396

15. The Memory Status output functions as if all operations are read cycles. If a write cycle begins with \overline{WE} low and Data In stable at the time CE goes high, the rising edge of MS may be used as an indication that the write is complete and CE may be brought low. In a cycle where \overline{WE} goes low at some point within the CE high time, the rising edge of MS should be ignored as an indication of write status. The falling edge of MS is always valid independent of the type of operation being performed.
16. For the R/M/W cycle, $tEH(\text{min.})$ is defined as $tR(\text{min.}) + tWW$. Note 5 defines $tRMWC$ but it may also be viewed as $tRC + tWW$. Modify times are assumed to be zero. For systems with Data In and Data Out tied together R/M/W timing should make allowance for tCF time so that no bus conflict occurs (see Am9130 data sheet for timing approach).

FUNCTIONAL DESCRIPTION

Block Diagram

The block diagram for the Am9140 shows the interface connections along with the general signal flow. There are twelve address lines (A0 through A11) that are used to specify one of 4096 locations, with each location containing one bit. The Chip Select signal acts as a high order address. The Chip Enable clock latches the addresses into the address registers and controls the sequence of internal activities.

The row address signals (A0 through A5) and their inversions are distributed to the 64 row address decoders where one of

the rows is selected. The 64 cells on the selected row are then connected to their respective bit line columns. Meanwhile, the column address signals (A6 through A11) are decoded and used to select one of 64 columns for the sense amplifier. Thus a single cell is connected into the output path.

During read operations, the sensed data is latched into the output register and is available for the balance of the operating cycle. During write operations, the write amplifier is turned on and drives the input data onto the sense lines, up the column

bit lines and into the selected cell. Read and write data are the same polarity.

The data buffer is three-state and unselected chips have their outputs turned off so that several may be wire-ored together. The Output Enable and Output Disable signals provide asynchronous controls for turning off the output buffers.

Within the storage matrix there is an extra row of simulated cells. This reference row is selected on every operating cycle in addition to the addressed row and provides internal timing signals that control the data flow through the memory. The Memory Status output signal is derived from the reference row and uses the same designs for its sense and buffer circuits as used by the data bits.

Chip Enable

The Chip Enable input is a control clock that coordinates all internal activities. The rising edge of CE begins each cycle and strobes the Address and Chip Select signals into the on-chip register. Internal timing signals are derived from CE and from transitions of the address latches and the reference cells.

When the actual access time of the part has been reached (or a write operation is complete), CE may be switched low if desired. The worst-case time as specified in the data sheet may be used to determine the access. Alternatively, the access or write-complete time indicated by the rising edge of the Memory Status output signal may be used.

When CE goes low, the internal preset operation begins. The memory is ready for a new cycle only after the preset is complete. The worst-case CE low time specified in the data sheet may be used to determine the preset interval. Alternatively, the actual preset time is indicated as complete when Memory Status goes low.

There are no restrictions on the maximum times that CE may remain in either state so the clock may be extended or stopped whenever convenient. After power-on and before beginning a valid operation, the clock should be brought low to initially preset the memory.

Address and Chip Select

The Address inputs are latched into the on-chip address register by the rising edge of CE. Addresses must be held stable for the specified minimum time following the rising edge of CE in order to be properly loaded into the register. Following the address hold time, the address inputs are ignored by the memory until the next cycle is initiated.

The Chip Select input acts as a high order address for use when the system word capacity is larger than that of an individual chip. It allows the Address lines to be wired in parallel to all chips with the CS lines then used to select one active row of chips at a time. Unselected chips have their output buffers off so that selected chips wired to the same data lines can dominate the output bus. Only selected chips can perform write operations.

CS is latched in the same way that Addresses are. Once a memory is selected or deselected, it will remain that way until a new cycle with new select information begins.

Write Enable

The Write Enable line controls the read or write condition of the devices. When the CE clock is low, the WE signal may be in any state without affecting the memory. WE does not affect the status of the output buffer.

To execute a read cycle, WE is held high while CE is high. To perform a write operation, the WE line is switched low while CE is high. Only a narrow write pulse width is required to successfully write into a cell. In many cases, however, it will be convenient to leave the WE line low during the whole cycle.

A write cycle can take place only when three conditions are met: The chip is selected, CE is high, and WE is low. This means that if either CE goes low or WE goes high, the writing is terminated.

Data In and Data Out

The requirements for incoming data during a write operation show a minimum set-up time with respect to the termination of the write. Termination occurs when either WE goes high or CE goes low. If incoming data changes during a write operation, the information finally written in the cell will be that stable data preceeding the termination by the set-up time. Since the data being written during a write cycle is impressed on the sense amplifier inputs, the output data will be the same as the input once the write is established.

During a read cycle, once all of the addressing is complete and the cell information has propagated through the sense amplifier, it enters the output data register. The read information can also flow through to the output if the buffer is enabled. As long as CE is high, the addressing remains valid and the output data will be stable. When CE goes low to begin the internal preset operation, the output information is latched into the data register. It will remain latched and stable as long as CE is low. If the output is disabled when CE is low, the output data register is cleared. At the start of every cycle when CE goes high, the output data latch is cleared in preparation for new information to come from the sense amplifier, and the output buffer is turned off.

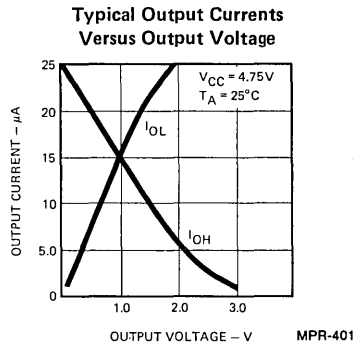
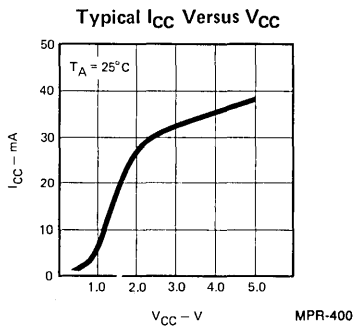
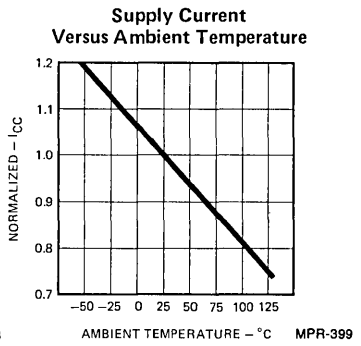
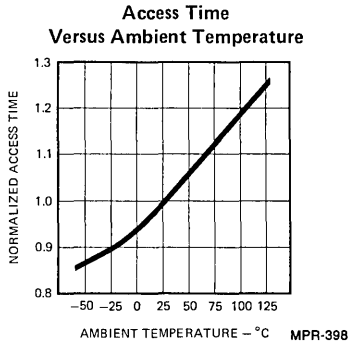
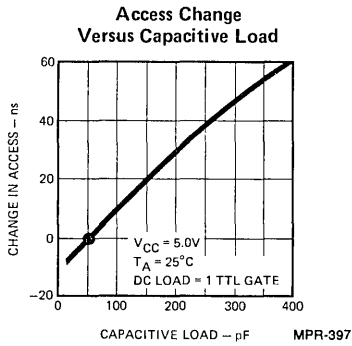
OE and OD are designed to provide asynchronous control of the output buffer independent of the synchronous Chip Select control. The OE and OD control lines perform the same internal function except that one is inverted from the other. If either OE is low or OD is high, the output buffer will turn off. If the CS input is latched low and OE is high and OD is low, then the output buffer can turn on when data is available.

Memory Status

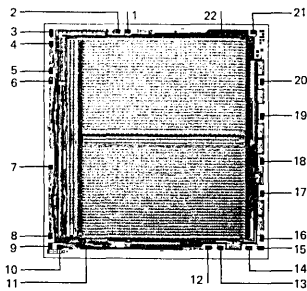
The Memory Status output is derived from the actual performance of the reference row of cells. Since the reference row is always doing a read operation, the MS output will appear in every operating cycle, whether a read or write is being performed. MS uses the same output circuitry as used in the data path. The result is that Memory Status tracks very closely the true operating performance of the memory.

The rising edge of MS indicates when output data is valid and tracks changes in access time with changing operating conditions. The rising edge also specifies the end of the time that CE must be held high for a read. CE may be high as long as desired, but may safely go low any time after MS goes high. The falling edge of MS occurs after CE goes low and the internal preset period is complete. It indicates that CE may go high to begin a new cycle. See the Am9130/40 Application Note for details.

CHARACTERISTICS

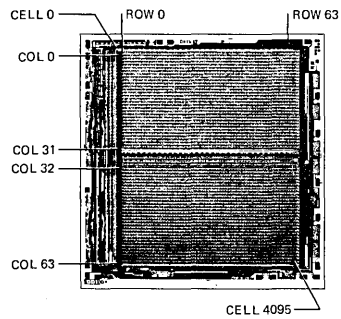


Metallization and Pad Layout



DIE SIZE 0.192" X 0.197"

Bit Map



For bit mapping purposes:
 Row address LSB = A5, MSB = A0
 Column address LSB = A6, MSB = A11

Am9130/Am9140

DESIGNING WITH SELF-CLOCKING, ADAPTIVE 4K STATIC R/W RANDOM ACCESS MEMORIES

By Joseph H. Kroeger

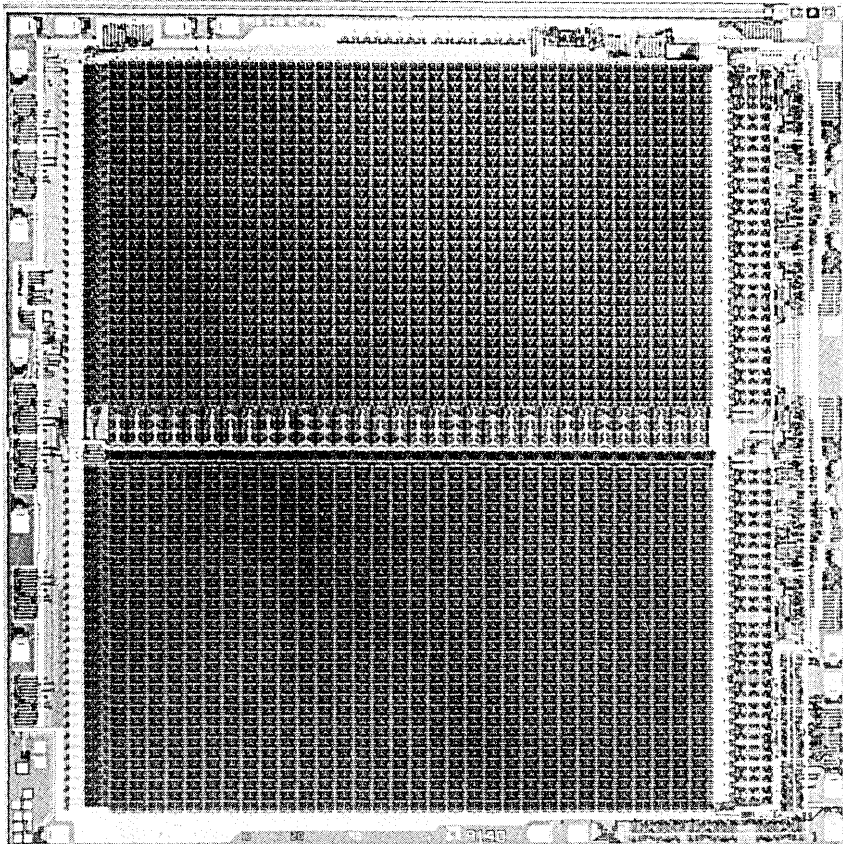


TABLE OF CONTENTS

| | |
|--|------|
| GENERAL CHARACTERISTICS | |
| Introduction | 6-30 |
| Design Philosophy | 6-31 |
| Interface Considerations | 6-31 |
| Power Supply | 6-31 |
| INTERFACE SIGNALS | 6-35 |
| Signal Flow | 6-32 |
| Chip Enable | 6-32 |
| Address and Chip Select | 6-33 |
| Write Enable | 6-34 |
| Data In and Data Out | 6-34 |
| Output Enable and Output Disable | 6-35 |
| Memory Status | 6-35 |
| INTERNAL CIRCUITRY | |
| Address Register | 6-35 |
| Address Decoding | 6-36 |
| Memory Cell | 6-36 |
| Bit and Data Lines | 6-36 |
| Sense Amplifier | 6-37 |
| Data I/O Stages | 6-38 |
| Memory Status Circuit | 6-38 |
| SYSTEM DESIGNS | |
| Interface Timing | 6-39 |
| Small Memory Arrays | 6-40 |
| Memory Status Timing | 6-41 |
| Memory Status Coordination | 6-42 |
| Handshaking Control | 6-43 |
| Interleaved Operation | 6-43 |

GENERAL CHARACTERISTICS

Introduction

The Am9130 and Am9140 products from Advanced Micro Devices are 4K-bit, static, self-clocking, adaptive, read/write random access memories. Both types of devices use only a single +5 volt power supply, yet offer high speed performance and low power dissipations. Figure 1 lists the appropriate part numbers for the combinations of variables available at press time. As product enhancement proceeds, it is anticipated that higher speed parts and wider ranges of low-power and military temperature parts will be available. Plastic DIP packages will also become an option. The latest factory data sheets show all available variations of parts.

The Am9130 is organized as 1024 words by 4 bits per word; the Am9140 is organized as 4096 words by 1 bit per word. Parts are available in both commercial and military temperature ranges. Although the standard power parts offer quite low per-bit power dissipation, there is also a family of low-power

parts available. As usual at AMD, all parts are 100% reliability assurance tested to the requirements of MIL-STD-883.

Figure 2 shows the pin assignments for the two memories. The package for both parts is a standard 22-pin dual in-line. Both memory configurations are manufactured from the same basic chip and use only specialized metal interconnect layers to define the structural differences. This approach allows several manufacturing efficiencies to be realized and permits each part to benefit from the combined volume of both parts.

The Am9130 and Am9140 memories are implemented with AMD's LINOX N-channel silicon gate MOS technology. The processing and design rules are exactly the same as those used for some time to produce the popular Am9102 line of 1K static R/W memories. LINOX features physically flat structures, triple ion-implantation, and low capacitance, high-speed devices. The new 4K memories are very dense with more than 27,500 active transistors in an area of less than 37,800 mil². The chip measures 192 x 197 mils with 58% of the area devoted to the 4096 storage cells.

| ORGANIZATION | AMBIENT TEMPERATURE | POWER | ACCESS TIME | | | |
|--------------|---------------------------------|----------|-------------|------------|------------|-----------|
| | | | 500ns | 400ns | 300ns | 200ns |
| 1024 x 4 | 0°C ≤ T _A ≤ 70°C | STANDARD | AM9130ADC | AM9130BDC | AM9130CDC | AM9130EDC |
| | | LOW | AM91L30ADC | AM91L30BDC | AM91L30CDC | |
| | -55°C ≤ T _A ≤ 125°C | STANDARD | AM9130ADM | AM9130BDM | AM9130CDM | |
| | | LOW | AM91L30ADM | AM91L30BDM | | |
| 4096 x 1 | 0°C ≤ T _A ≤ 70°C | STANDARD | AM9140ADC | AM9140BDC | AM9140CDC | AM9140EDC |
| | | LOW | AM91L40ADC | AM91L40BDC | AM91L40CDC | |
| | -55°C ≤ T _A ≤ +125°C | STANDARD | AM9140ADM | AM9140BDM | AM9140CDM | |
| | | LOW | AM91L40ADM | AM91L40BDM | | |

Figure 1. Part Number Matrix.

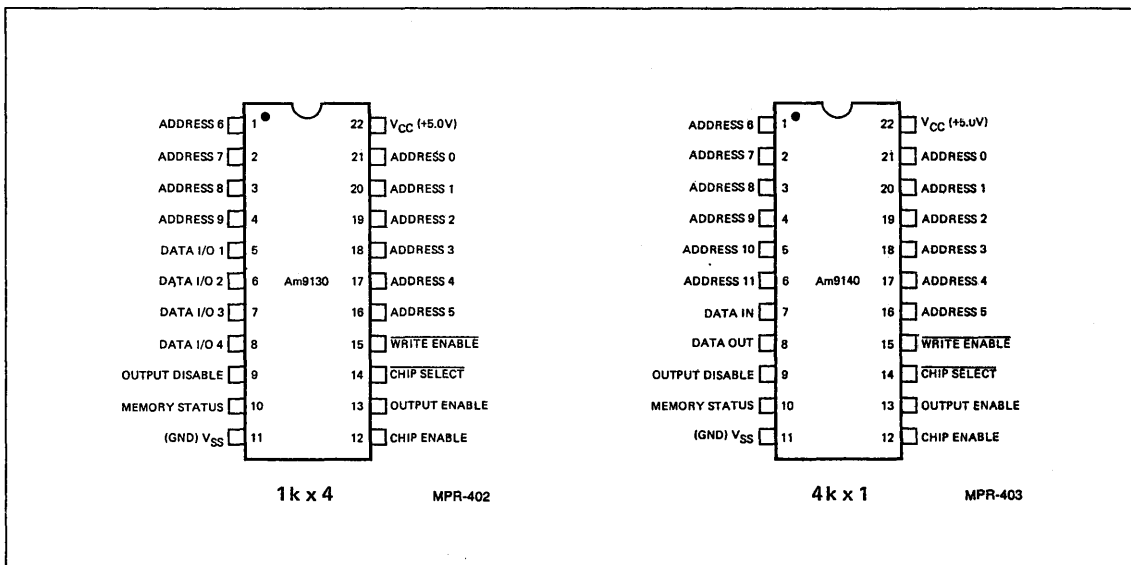


Figure 2. Pin Assignments.

Design Philosophy

Read/write random access memories are customarily divided into two categories based on the storage mechanism used in the memory cells. **Dynamic** memories use dynamic cells that store information in the form of charge on small capacitors. **Static** memories use static cells that store information in the form of latched currents flowing through transistors. Dynamic memories must be periodically refreshed in order to maintain the stored information. Static memories maintain the stored data without refreshing as long as power is applied. (Both types are volatile — that is, stored information is lost when power is removed.)

The basic storage mechanisms of the cells contribute significantly to the characteristics of the overall memory, but an important contribution is also made by the access method used with a particular cell. Dynamic storage has conventionally been used with dynamic decoding and control circuitry. Similarly, static storage has traditionally used static support circuitry. But those associations are not necessary. Other combinations are possible and provide different overall specifications. One example is provided by Advanced Micro Devices' 4K dynamic memories, the Am9050 and Am9060. They use static circuitry on some input signals in order to significantly improve several timing characteristics. There also exist several types of read-only memories that use dynamic decoding for improved performance.

The Am9130 and Am9140 memories take advantage of a new combination that provides static storage together with a novel type of clocked access method. The storage cells use a conventional, fully static design. The decoding and sensing circuits use a clocked static approach that has no dynamic nodes. The clocked circuitry allows the addition of several new features, increases speed and decreases power dissipation relative to an analogous non-clocked design. At the same time, the usual disadvantages of a clock have been either eliminated or minimized in these new memories.

This philosophy, combined with Advanced N-channel MOS technology, has produced these new combinations of features, including:

- Fully static storage
- Fast access and cycle times
- Low operating power dissipation
- Self-clocking mode of operation
- Single phase, low voltage, low capacitance clock
- Static clock that may be stopped in either state
- Address register on-chip
- Output data register on-chip
- Single +5 volt power supply requirement
- Interface logic levels identical to TTL
- High output drive capability
- Nearly constant power drain; no large current surges
- DC standby mode for reduced power consumption
- Operation over full military temperature range

Interface Considerations

In common with other AMD static R/W RAM's, all of the input and output signals for the Am9130 and Am9140 memories are specified with logic levels identical to those of standard TTL circuits. The worst-case input high and low levels are 2.0V and 0.8V, respectively; the worst-case output high and low levels are 2.4V and 0.4V, respectively. Thus, with TTL interfacing, the normal worst-case noise immunity of at least 400mV is maintained.

All inputs include protection networks designed to prevent damaging accumulations of static charge. During normal operation, the protection circuitry is inactive and may be modeled as a simple series RC. See Figure 3. The first functionally active connection for every input is the gate of an MOS transistor. No active sources or drains are connected to the inputs so that no transient or steady-state currents are impressed on the driving signals other than the simple charging or discharging of the input capacitance, plus the accumulated leakage associated with the protection network and the input gate. Input capacitances are usually around 5pF and leakage currents are usually less than 1 μ A.

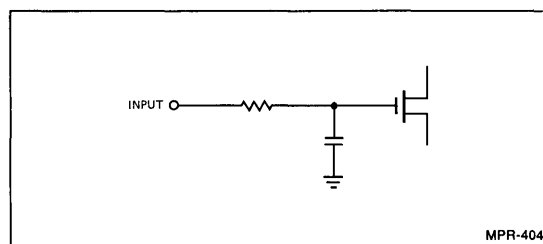


Figure 3. Equivalent Input Circuit.

The output buffers can source at least 200 μ A worst-case and can sink at least 3.2mA worst-case, while still maintaining TTL output logic levels. Thus, the memories can drive two standard TTL loads or nine standard Low-Power Schottky TTL loads. This unusually high output drive capability allows not only improved fan-out, but also better capacitive drive and noise immunity.

Delays in the output circuits show little variation with changes in the DC loads being driven. Changes with capacitive loading are shown by the curve in Figure 4. Access times are specified for a total load of one TTL gate plus 50pF of capacitance.

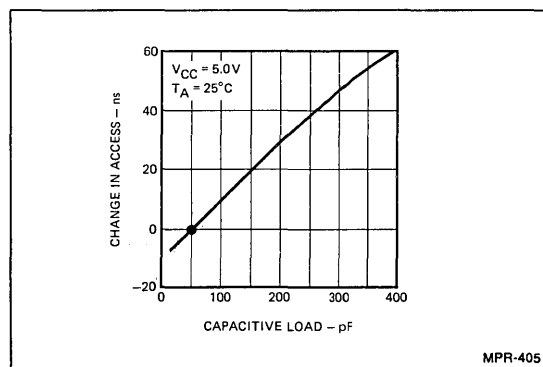


Figure 4. Access Change Versus Load.

Power Supply

The Am9140 and Am9130 memories require only a single supply voltage. They perform their normal operations at a V_{CC} of +5-volts. The commercial temperature range parts have a voltage tolerance of $\pm 5\%$; the military temperature range tolerance is $\pm 10\%$. The worst-case current drains are specified in the data sheets at the high side of the voltage tolerance and the low end of the temperature range. In addition, the current

Am9130/Am9140

specifications take into account the worst-case distribution of processing parameters that may be encountered during the manufacturing life of the product.

The current drain for these parts is relatively quite constant over their various operating cycles. Since the basic storage mechanism involves latched currents in each cell, there is a necessary cumulative current flowing at all times, even when the memory is not being actively accessed. The average currents specified are largely independent of the CE input state, or the condition of any of the input signals. At the falling edge of the CE clock, there is a brief current surge of an additional 4 to 8mA that occurs as the decoders are being preset.

Dynamic memories usually have quite different current characteristics. Their average power dissipation is proportional to their operating frequency, so that average current drain decreases significantly when they are cycling slowly or doing refresh operations only. There are very large peak currents associated with every cycle in a dynamic memory, no matter how frequently or infrequently the cycles occur. Power supplies and power distribution systems must be capable of handling these peak demands.

Power vs. speed characteristics for the Am9130 and Am9140 4K statics are flat horizontal lines. See Figure 5. A representative 4K dynamic has a rising line as shown. The dynamic dissipation becomes higher than the regular-power static parts out near the high end of the speed range. The cross-over occurs much earlier for the low-power statics.

The power-down mode is entered by simply bringing both CE and OE low and then ramping V_{CC} down as low as 1.5V. Power dissipation will fall by more than 80%. Normal cycles may resume when V_{CC} has been returned to its operating range. See specification sheets for further details.

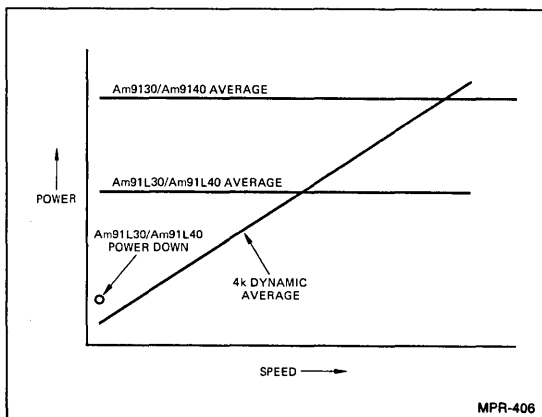


Figure 5. Power Versus Speed Comparisons.

INTERFACE SIGNALS

Signal Flow

Figure 6 is the block diagram for the Am9130 version and shows the interface connections along with the general signal flow. There are ten address lines (A0 through A9) that are used to specify one of 1024 locations, with each location containing four bits. The Chip Select signal acts as a high order address for multiple chip memory configurations. The Chip Enable clock latches the addresses into the address registers and controls the sequences of internal activities.

The row address signals (A0 through A5) and their inversions are distributed to the 64 row address decoders where one of the rows is selected. The 64 cells on the selected row are then connected to their respective bit line columns. Meanwhile, the column address signals (A6 through A9) have been decoded and used to select one of 16 columns for each of the four sense amplifiers. The end result is that one cell is connected to one sense amplifier.

During read operations, the sensed data is latched into the output register and is available for the balance of the operating cycle. During write operations, the write amplifier is turned on and drives the input data onto the sense lines, up the column bit lines and into the selected cells. Input and output data signals share common interface pins.

The output buffers use a three-state design that simplifies external interfacing. Unselected chips have the outputs turned off so that several chips may be wire-ored together easily. The Output Enable and Output Disable signals provide fully asynchronous controls for turning off the output buffers when desired.

Within the storage matrix, there is an extra row of simulated cells. This reference row is selected on every operating cycle in addition to the addressed row and provides internal timing signals that help control the data flow through the part. The Memory Status output signal is derived from the reference row and uses the same designs for its sense and buffer circuits as used by the data bits. Memory Status specifies when output data is available and simplifies generation of Chip Enable.

Figure 7 is the block diagram for the Am9140 version. The basic operation and signal flows are similar to the Am9130. There are two additional address lines (A10, A11), allowing selection of one of 4096 locations. Each location contains one bit so only one set of data I/O circuits are needed. Input and output data signals use separate interface pins.

Chip Enable

The Chip Enable input is a control clock that coordinates all internal activities. All active memory functions are initiated when CE goes high. At the completion of the active operation, CE goes low to preset the memory for the next cycle. There are no restrictions on the maximum times that CE may remain in either state so the clock may be extended or stopped whenever convenient. After power-up and before beginning a valid operation, the clock should be brought low to initially preset the memory.

Figure 8 illustrates a basic operating cycle for either of the memories. The rising edge of CE begins each cycle and strobes the Address and Chip Select signals into the on-chip register. Internal timing signals are derived from CE and from transitions of the address latches and the reference cells. Various control functions are activated by these timing signals as the addresses and data flow through the memory.

When the actual access time of the part has been reached (or a write operation is complete), CE may be switched low if desired. The worst-case time as specified in the data sheet may be used to determine the access. Alternatively, the access or write complete time indicated by the rising edge of the Memory Status output signal may be used. (See the Memory Status section of this Note.) It is perfectly acceptable to leave the CE clock high following the access time; some system operating modes will find it convenient to do so. A Read/Modify/Write cycle, for example, will keep CE high after the access until the modify and write portions of the cycle are finished.

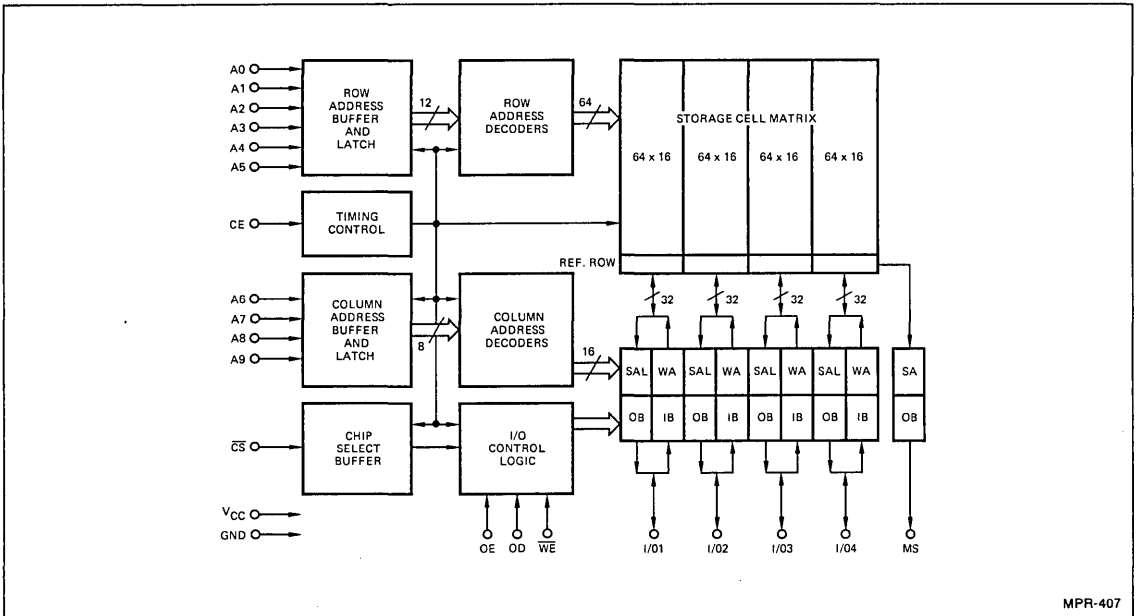


Figure 6. Am9130 Block Diagram.

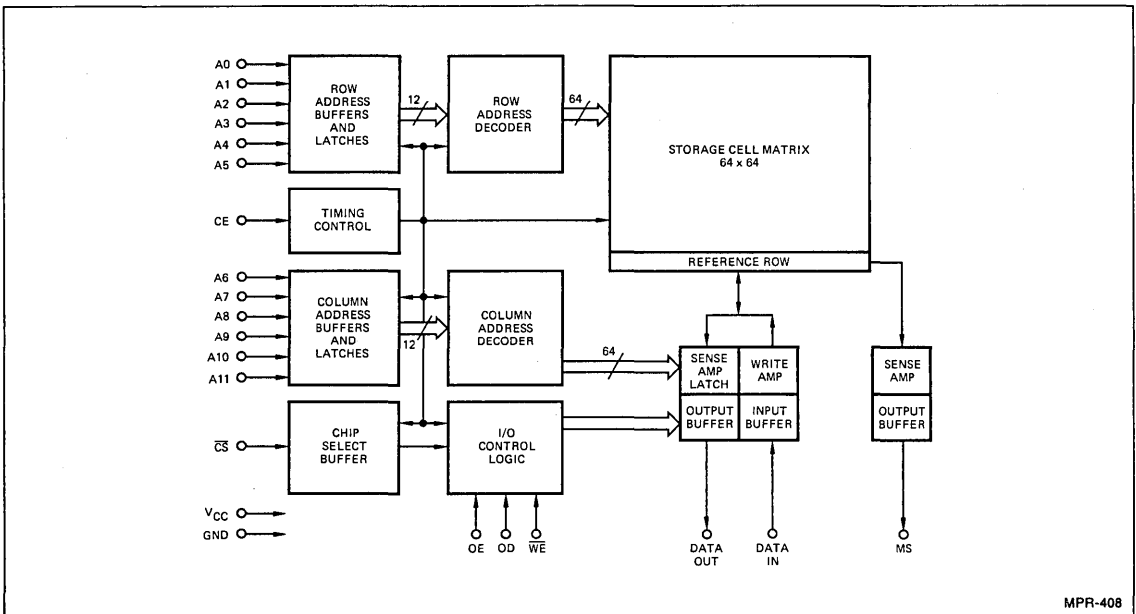


Figure 7. Am9140 Block Diagram.

When CE does go low, the internal preset operation begins. The memory is ready for a new cycle only after the preset is complete. The worst-case CE low time specified in the data sheet may be used to determine the preset interval. Alternatively, the actual preset time is indicated as complete as soon as Memory Status goes low. CE may remain low as long as desired.

Address and Chip Select

The Address inputs are binary coded lines that specify the word location to be accessed within the memory. The Am9130 has 1024 word locations, any one of which may be selected by a ten-bit binary address ($2^{10} = 1024$). The Am9140 has 4096 locations and so uses a 12-bit address ($2^{12} = 4096$).

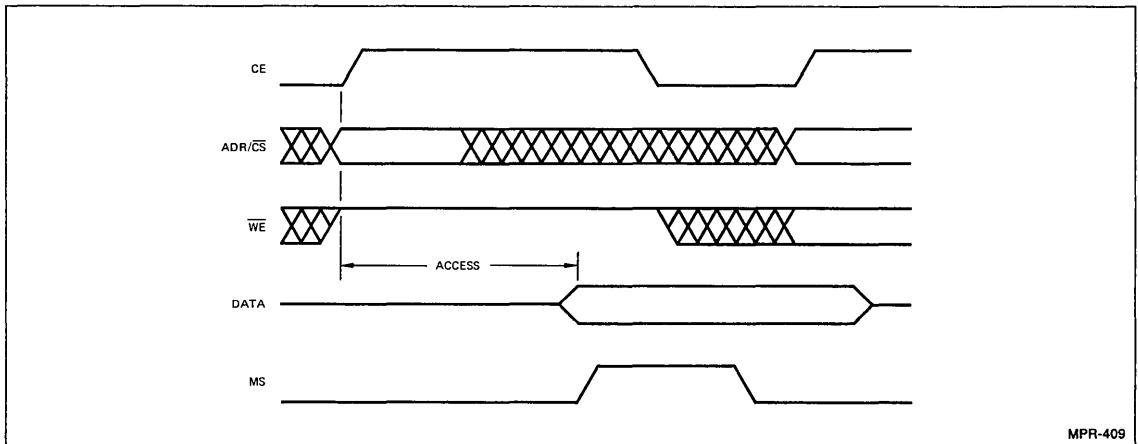


Figure 8. Basic Operating Cycle.

The Address input signals are latched into an on-chip address register by the rising edge of CE. They are allowed to become stable at the same time that the clock goes high: The address set-up time is zero. They must be held stable for the specified minimum time following the CE rising edge in order to be properly loaded into the register. Once the address hold time has been observed, the address inputs are ignored by the memory until the next cycle is initiated.

The Chip Select input acts as a high order address for use when the memory system word capacity is larger than the word capacity of an individual chip. When multiple chips are stacked up, the Address lines may be wired in parallel to all chips and the CS lines used to individually select one active chip, or row of chips, at a time. Chip Select controls the operation of both the output buffers and the write amplifiers. Unselected chips have their output buffers off so that selected chips wired to the same data lines can dominate the output bus. Only selected chips can perform write operations so the Write Enable control signal and the input data lines may be wired in parallel to several chips.

CS is latched into the on-chip register in the same way that Addresses are. This means that once a memory is selected or deselected, it will remain that way until a new cycle with new select information begins. The OE and OD lines provide asynchronous control over the output buffer when that function is necessary on a selected chip.

Chip Select is an active low function — that is, the input signal must be low at the rising edge of CE in order to select the chip. Most CS signals are derived from high order addresses. In small systems, a simple NAND gate can provide the necessary logic. In larger systems, a binary decoder (such as the Am25LS138) works well. In either case, the outputs are active low and thus directly match the input polarity of the Chip Select.

Write Enable

The Write Enable line controls the read or write status of the devices. When the CE clock is low, the WE signal may be any value without affecting the memory. This allows the line to be indeterminate while the using system is deciding what the next cycle will be. WE does not affect the status of the output buffer.

To execute a read cycle, WE is held high while CE is high. To perform a write operation, the WE line is switched low during the cycle. The data sheet for the memories shows the minimum write pulse width required to successfully complete the writing of information into a cell. In many cases, however, it will be convenient to leave the WE line low during the whole cycle so that no intra-cycle timing is necessary for a write operation. The memories are designed so that WE may remain low continuously as long as successive write cycles are being executed.

A write cycle can take place only when three conditions are met: The chip is selected, CE is high, and WE is low. This means that if either CE goes low or WE goes high, the writing is terminated. Thus, the full minimum write pulse width must appear within the CE high time to perform a successful write.

If WE is low when CE goes high to initiate a new cycle, the write amplifier is enabled and the write data propagates onto the data lines internally. However, no columns or rows are selected until after the address for the new cycle is decoded, so actual writing into the cell is delayed by the decoding time following CE. This delay means that the minimum write pulse width cannot apply when WE goes low very early in the cycle.

Data In and Data Out

The specification sheet requirements for incoming data during a write operation show a minimum set-up time with respect to the termination of the write. Termination occurs when either WE goes high or CE goes low. Input data may arrive earlier than the set-up time, where convenient. If incoming data changes during a write operation, the information finally written in the cell will be that stable data preceding the termination by the set-up time. The data input hold time with respect to the termination of write is zero. If the Am9140 is used with the Data In and Data Out lines remaining separate, the input data may occupy the bus at all times, if desired. The valid written data is then determined by the timing of WE.

If the Am9140 is used with the Data In and Data Out tied together, or if the Am9130 is used, care should be taken to avoid conflict between incoming and outgoing data on the shared lines. It is important to note that when WE is low, it does not turn off the output buffers; the potential conflict must be resolved in other ways. One convenient method is

to tie the Output Enable line to the WE line. Then, whenever WE goes low to write, it also turns off the output buffer. After a delay long enough for the output to reach its high impedance state, the input data can be introduced without conflict. The time that WE is low should be long enough to cover the output turn-off delay as well as the input data set-up time.

Since the data being written during a write cycle is impressed on the sense amplifier inputs, the output data will be the same as the input once the write is established. The conflicts occur with old output data that remains from a previous cycle or with new data that may be accessed before the write is established. If the write (and the associated input data) can be initiated while the output buffers are turned off, the conflict is eliminated; even if the outputs turn on, the output data will match the input data.

During a read cycle, once all of the addressing is complete and the cell information has propagated through the sense amplifier, it enters an output data register. The read information can also flow through to the output if the buffer is enabled. As long as CE is high, the addressing remains valid and the output data will be stable. When CE goes low to begin the internal preset operation, the output information is latched into the data register. It will remain latched and stable as long as CE is low.

At the start of every cycle when CE goes high, the output data latch is cleared in preparation for new information to come from the sense amplifier, and the output buffer is turned off. This is done so that in multiple chip systems with the outputs bussed together, old data from one chip will not interfere with new data being accessed on another.

Output Enable and Output Disable

The OE and OD control lines perform the same internal function except that one is inverted from the other. If either OE is low or OD is high, the output buffer will turn off. If the CS input is latched low and OE is high and OD is low, then the output buffer can turn on when data is available.

OE and OD are designed to provide asynchronous control of the output buffer independent of the Chip Select control. This capability makes it easy to tie together the Data In and Data Out lines on the Am9140 where bussed operation is desired, and simplifies operation of the Am9130 which has the Data I/O signals internally tied.

OD and OE will often be used to resolve contention on data busses, but there are other convenient uses as well. The nature of these memories is such that it is easy to individually clock each row in a memory system and to achieve an interleaved mode of operation that effectively shortens the average cycle time. In such designs, the output buffers must be controlled to prevent overlap of read information from two rows that are tied together but clocked at different times.

Memory Status

Memory Status is a new, unique output signal that offers several important features for the memory system designer. It indicates when data is valid at the outputs, when CE may be brought low, and when preset is complete so that a new cycle may begin. The Memory Status signal may be completely ignored without affecting the operation of the memory. On the other hand, it has several implications that make it a potentially interesting and useful signal.

A major function of the MS concept is to indicate actual performance of the memory rather than worst-case perfor-

mance. Thus, the access time indicated by Memory Status will always be better than the worst-case specification as long as the conditions and assumptions on which the worst-case numbers are predicated are better. Further, real operating results change with changing conditions and Memory Status follows those changes. Thus, for example, as temperature decreases, access time also decreases and MS tracks the change in access exactly.

There are many different ways to use the Memory Status signal and several are illustrated in this Note. Basically it offers improved performance and self-timed operation, along with other related implications.

INTERNAL CIRCUITRY

Address Register

The circuitry for the address register is shown in Figure 9. Inverters K and L isolate the register from the input pin and convert the TTL input levels to the wider logic swings used internally. M inverts the address so that both A and \bar{A} propagate to the inputs of the register.

Transistors 1, 3, 5, and 7 are depletion devices. Transistor pairs 1, 2 and 3, 4 form two inverters that are cross-coupled to provide the basic latch. Transistor pairs 5, 6 and 7, 8 are used to enter information into the latch. If point A goes high, then 5 and 6 turn on and 7 and 8 turn off, forcing the latch to one polarity. Notice that the circuit would work without transistors 5 or 7. They are added to minimize the propagation delay through the register.

When transistors 9 and 10 are turned on, 5, 6, 7 and 8 are turned off and the latch is isolated from the input signal. When transistors 11 and 12 are turned on, the outputs from the register are held low and the following address decoders are in their preset state.

The timing for the address register operation is shown in Figure 10. ϕB and ϕC are simply delayed inversions of CE. ϕA is derived from the outputs of the slowest bit position in the address register. During the preset state of the memory when the CE clock is low, both ϕB and ϕC are high and ϕA is low. In that condition, transistors 9, 10, 11 and 12 are all turned on and no signals can travel into or out of the register.

When CE goes high to start a cycle, ϕB goes low after a brief delay. This turns off 9 and 10 and opens a window that allows the address information at the input to proceed into the latch. The path that generates ϕB is slightly longer than the path that the address follows to the register. This is done so that the address setup time relative to CE can be specified as zero.

Next, ϕC also goes low, permitting the latch to set and the register outputs to travel on to the decoders. The delay from ϕB to ϕC prevents any address spiking from disturbing the decoding circuits.

During the preset time, both X5 and $\bar{X}5$ are held low, keeping ϕA low. After the active cycle starts, either X5 or $\bar{X}5$ will make a transition high, depending on the state of the Address 5 input. Thus, ϕA will go high in every memory cycle. When it does, transistors 9 and 10 will turn on again, closing the window into the latch. This prevents any changes in external address information from affecting the stored address. Notice that ϕA is dependent on the presence of address information and only occurs after the address has reached the register outputs.

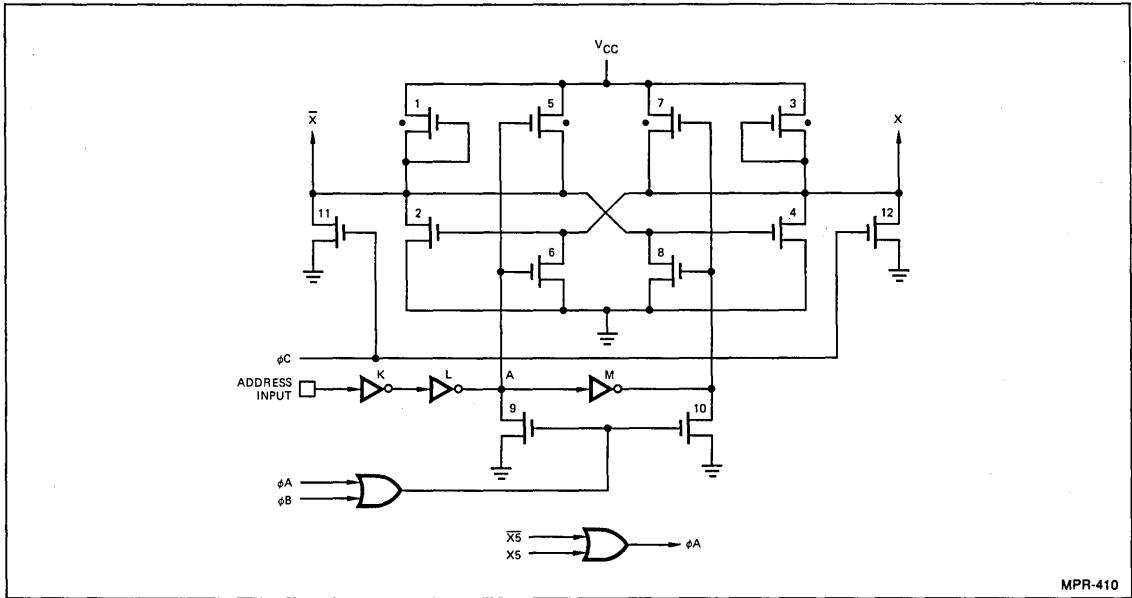


Figure 9. Input Latch Circuit.

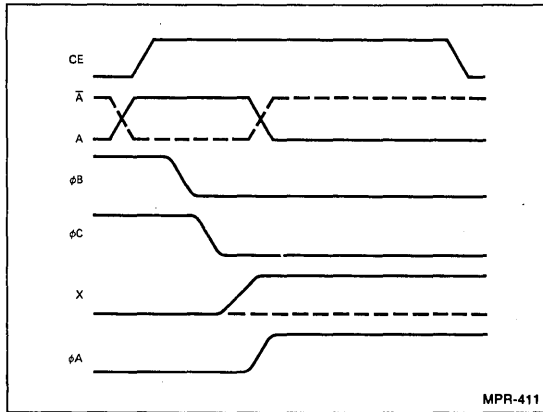


Figure 10. Input Latch Timing.

Address Decoding

There are 64 of the row decoder circuits shown in Figure 11. The decoding is done by a simple six-input gate that is selectively wired to the outputs from the six low order bits of the address register. Each has a unique combination of X and X-bar signals on its inputs ($2^6 = 64$). Only one decoder will have all of its inputs low during the decoding. The other 63 gates have at least one input high, thus keeping the decoder output low and the row driver, T, off. The single selected gate allows its row driver to turn on.

phi A, which is derived from the transitions of the X5 signals, is buffered and used as phi DEC, the decoder clock. When phi DEC goes high, it passes through the selected row driver and brings the associated row select line high. All the other row select lines remain low. During the preset time when CE is low, all of the decoders have all of their inputs held low by phi C, thus

enabling all of the row drivers. To keep all the rows unselected, phi DEC is low during the preset time and keeps all the select lines low.

There is a simple latch connected to each of the 64 select lines. It holds its select line low and prevents it from floating when the row driver is turned off. An active (high) row select line flips and holds the latch in addition to driving the 64 cells in the row.

Memory Cell

The storage cells that are the heart of the memories use a conventional static design with six transistors. See Figure 12. Transistor pairs 1, 5 and 2, 6 are connected as simple inverters that are cross-coupled to form a bistable latch. Either transistor 1 or 2 is turned on and defines the data state of the cell. Transistors 5 and 6 are depletion-mode devices that act as pull-ups and maintain the state of the latch as long as power is applied.

The access devices permit the cell to be attached to its bit lines. When the cell's row select line is low, 3 and 4 are off and the cell is isolated from all other circuitry. When the select line is high, 3 and 4 are on and the cell is connected to the bit lines. If a read operation is in progress, the cell then pulls one of the bit lines low. If a write operation is being performed, the bit lines are driven by the data to be written and the cell is forced into the desired state.

Bit and Data Lines

Figure 13 shows the bit line column and data line organization. A total of 64 cells — one from each row — are connected to one bit line pair to form a column of cells. Columns are connected in parallel through the column select transistors to form the data lines. The data lines feed into a sense amplifier or are fed from the write amplifier. For the Am9140, all 64 columns are connected to one pair of data lines and one set

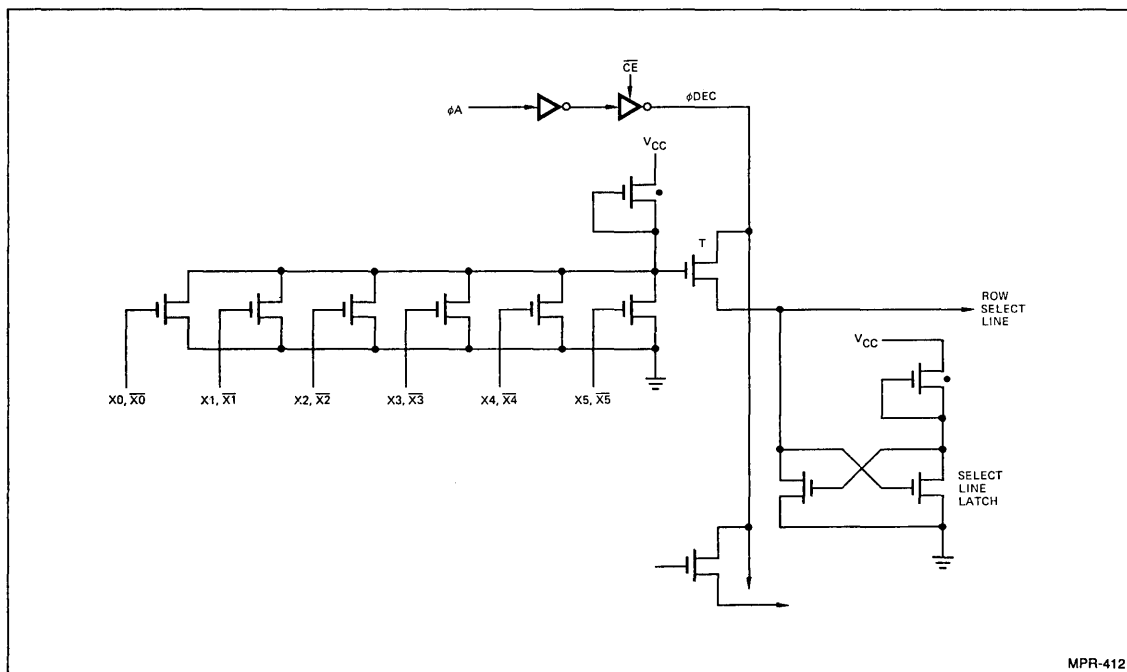


Figure 11. Row Decoder Circuit.

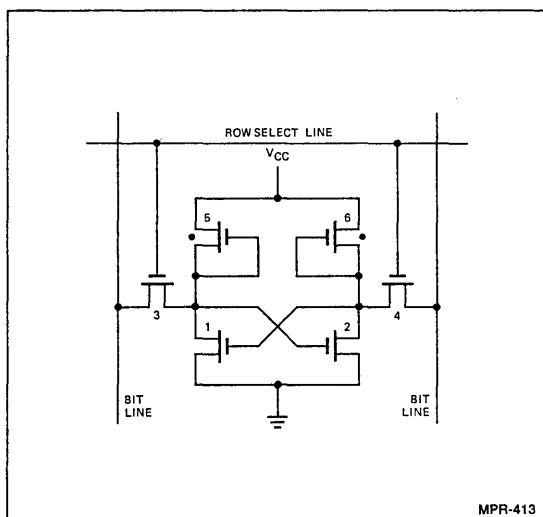


Figure 12. Cell Circuit.

of I/O circuits. For the Am9130, there are four pairs of data lines with four sets of I/O circuits and 16 columns are connected to each pair of data lines.

In addition to the storage cells, each column contains the reference row transistors and two other circuits labeled in the figure as EQ and BLL. The EQ circuit is active only during the preset time when CE is low. It is used to balance and equalize the bit lines and bring them to a voltage level somewhat below V_{CC} . The same EQ circuit is also used with the data lines.

The BLL circuit is a Bit Line Latch that is inactive during preset and is used during the active portion of the cycle to help the selected cell discharge the capacitive load presented by the bit and data lines. It is controlled by ϕ_L , a timing signal derived from the reference row.

The row driver, T, for the reference row is always enabled and the reference row is therefore selected by ϕ_{DEC} on every cycle. The two reference transistors in each column are the same as the access devices in each cell that are driven by the other row select lines. When the reference row select signal has propagated all the way to the end of the row, it is buffered and used to generate ϕ_L . When ϕ_L is true, the BLL is enabled and follows the state of the bit lines as set by the selected cell in that column.

The column decoders work much the same way as the row decoders, except that they are not turned on and off by a decode clock. During an active cycle, only one column is connected to one pair of data lines.

Sense Amplifier

A unique feedback amplifier detects the state of the data lines to provide read data for the output. The circuit in Figure 14 shows a simple differential amplifier (transistors 2, 3, 4, 5) with a pedestal voltage established by transistor 1. The output from the differential stage is fed back to influence the pedestal via transistors 6, 7 and 8. Notice that differential signals are balanced out and eliminated from the feedback loop. But supply voltage, temperature and process variations cause common mode shifts that are compensated for.

The output of the differential stage also goes to a latch circuit that squares and buffers the amplified signal. The latch simply follows the data that flows into it and feeds information to the output data register.

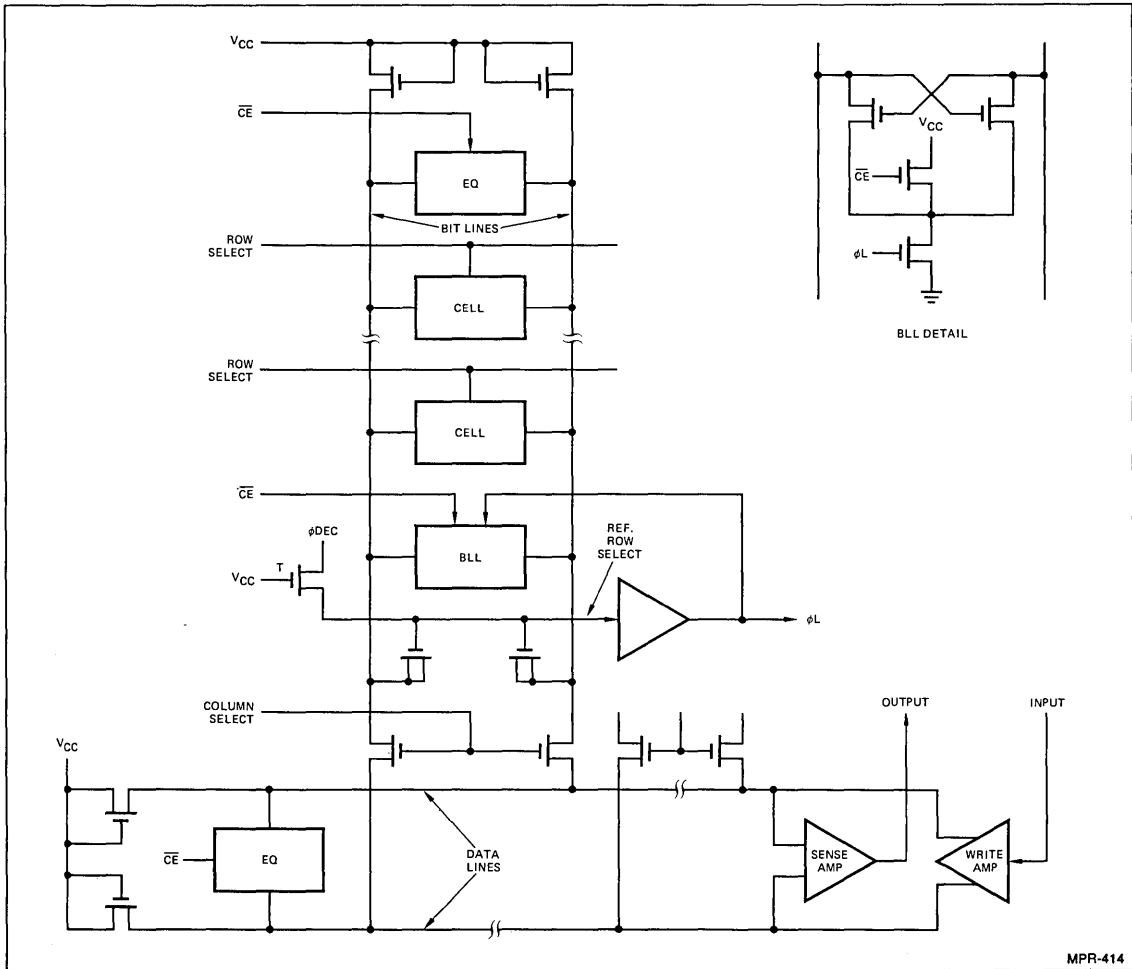


Figure 13. Bit and Data Line Organization.

Data I/O Stages

The output stage shown in Figure 15 includes the output data register plus the output control logic plus the output buffer. Information from the sense amplifier can flow into and through the register and on to the output pin at the access time. As long as the CE clock is high, the cell addressing will be valid and the sense amplifier and output can remain stable. When CE goes low, the register inputs are isolated from the sensed data and the output can stay valid until CE next goes high.

There are several signals that can turn off the output buffer. Only when they are all simultaneously in the necessary state will the output turn on. When CE goes high, the output will turn off until the access time arrives as indicated by ϕ_L . When \overline{CS} is latched high, the output will be off. When OE is low the outputs will be off. When OD is high the outputs will be off.

The write amplifier control logic only allows a write to take place on a selected chip with the CE high and the Write Enable low. Note that the WE line does not affect the output buffer. On the Am9130, the data input and output signals are tied together and share common interface pins.

Memory Status Circuit

The Memory Status output is derived from the internal ϕ_L timing signal that is in turn derived from the true performance of the reference row. MS uses the same output buffer, control logic, register and sense amplifier circuitry as used in the data path. Even where a control gating function is absent, the circuitry is included but disabled. At the input to the MS sense circuit, a pseudo data line pair is created that is directly analogous to the storage cell data lines, including the EQ and column select devices. The result is that Memory Status tracks the output data very closely under all operating conditions.

Since the final output circuits are the same for both MS and Data, they respond identically to variations in loading. If the data output is heavily loaded, then similar equivalent loading should be used on the Memory Status output in order to maintain their responses relative to each other.

The MS output is always enabled and never enters a three-state off mode. Even on an unselected chip, the MS signal continues to reflect the status of the memory.

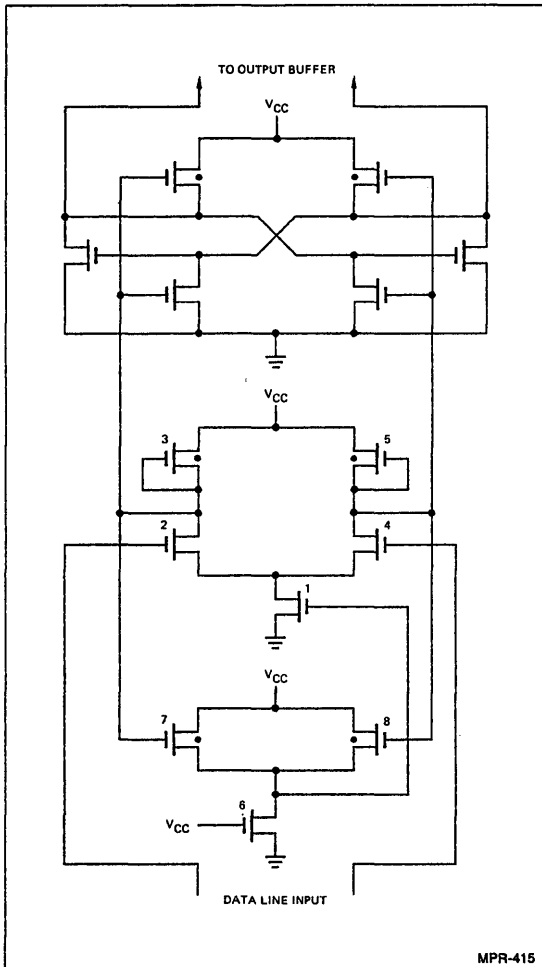


Figure 14. Sense Amplifier Circuit.

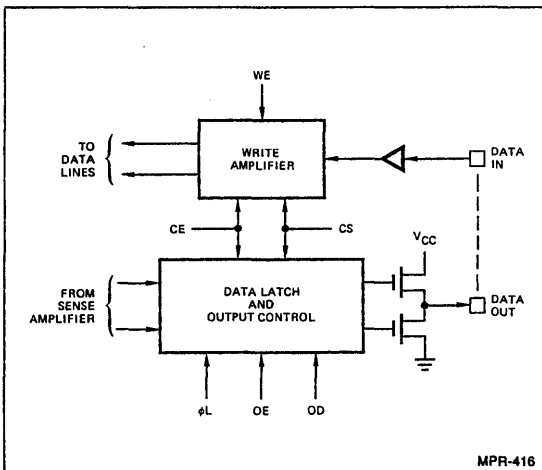


Figure 15. Data I/O Stages.

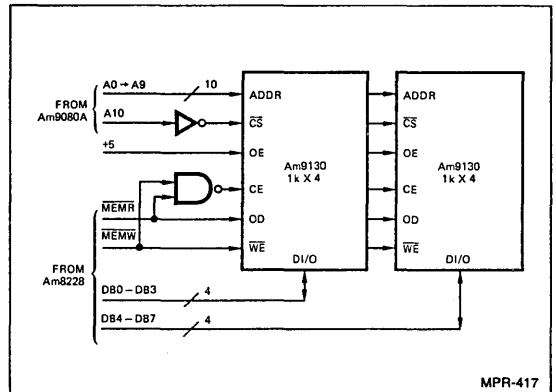


Figure 16. 1k x 8 R/W Memory for Am9080A.

SYSTEM DESIGNS

Interface Timing

The specification sheets for the Am9130 and Am9140 show the various input requirements and output responses for the memories. In each case, the parameters shown are worst-case in order to fully describe the operational limits of the parts. But many system situations allow the timings to be greatly simplified. For example, in small memories that are only one chip deep, the Chip Select signal may not be required and \overline{CS} may be tied low. Similarly, in many instances OD may be tied low or OE may be tied high or both.

In some circumstances, it may be quite convenient to leave the addresses stable longer than the parts require. The falling edge of CE might be used by the associated system to initiate the derivation of a new address and the decision about reading or writing the next cycle. Those signals can then stay stable until the following decision time.

It will quite often be easy to leave the Write Enable line low during all of the CE high time of a write cycle. This eliminates some intra-cycle timing of the write pulse. The WE line may be any value as long as CE is low. Similarly, it will also be easy to have the Data In information available during the time that WE is low — indeed, WE will often be useful as the control line for gating the incoming data on and off.

Many times CE can be easily and directly derived from other signals in the using system. Figure 16 shows an example of a small memory for a microprocessor. Two Am9130 parts form a 1K x 8 memory for an Am9080A. The processor supplies the Addresses and the chip select signals. The Am8228 System Controller associated with the processor supplies the \overline{MEMR} and \overline{MEMW} control lines as well as a buffered data bus. A10 is inverted and used for the Chip Select signal, placing the addressing range in the second 1K of system memory. For larger systems or different configurations, other select logic may be required.

The Controller can request a Memory Read or a Memory Write operation. The NAND gate shown generates a CE when either request is made. When \overline{MEMR} is high, the output buffers are turned off via the OD control. When \overline{MEMR} is true the memory output will be connected to the data bus. When \overline{MEMW} is low, a write operation is performed at the specified address. There is always sufficient time between operation requests for the memory to be fully preset.

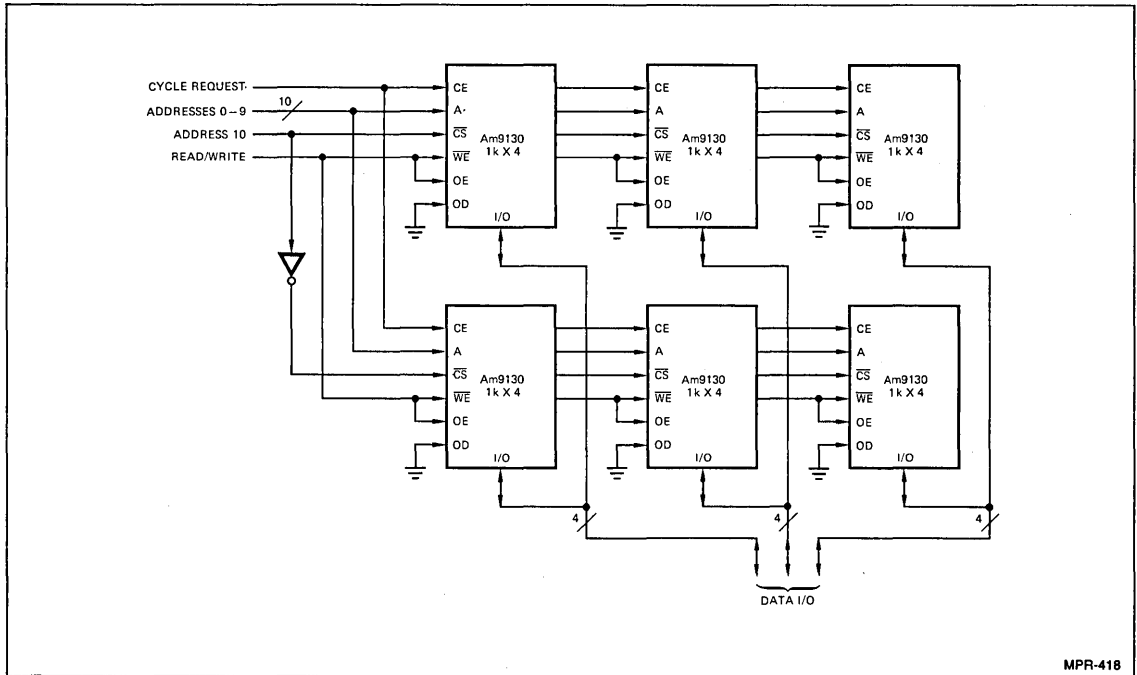


Figure 17. 2k x 12 Memory System.

Small Memory Arrays

As an illustration of a conventional approach for operating multiple chips, Figure 17 shows a convenient way to connect six Am9130 chips to make a 2K x 12 memory. The Chip Enable clock is wired in parallel to all six chips, as are the ten Address lines and the R/W control line. Output Disable is tied to ground, allowing Output Enable to provide asynchronous external control of the output buffer status. OE is tied to Write Enable so that the R/W line turns off the output buffers when it goes low during a write cycle.

Address 10 and its inversion are used to select one of the two rows of chips for each operating cycle. As long as A10 is low, the upper row will respond to the clock and will communicate on the data bus while the lower row is deselected and can neither read nor write. When A10 is high the row roles are reversed.

The Data I/O lines have corresponding bits tied together in vertical columns. The control logic is arranged so that only one of the output buffers at a time will drive an I/O line, and only one chip at a time will write from an I/O line.

The type of memory illustrated is easily expanded to many different capacities. An 8K x 16, for example, could be implemented with 32 Am9140 chips (16 in each row), using the same control line configuration, plus two more address lines.

Driving and buffering limitations for both the inputs and the outputs will be dictated by a) accumulated leakage currents and b) accumulated capacitance. On an address line, for example, many chips may be driven in parallel from a standard TTL output. As the number of chips goes up, the leakage currents in the MOS memory gradually become a significant load for the TTL output especially in the high logic level state. Similarly, many parallel inputs will present a capacitive load that will degrade the rise and fall characteristics of the signal.

Added buffering will usually only be necessary when the transition times begin to cause the overall system delays to be excessive.

As the capacity of systems like the one in Figure 17 grows, decoding of the Chip Select information gradually involves a little more logic. If the memory was 3K x 12, for example, it might be implemented with three rows of Am9130 chips. Select information is then needed to assure that only one of the rows at most is active at a time. A one-of-three decoder is easy to implement from two address lines with simple gates as shown in Figure 18. As the number of rows to be selected grows, however, both the wiring and the gate count tend to get much more complex.

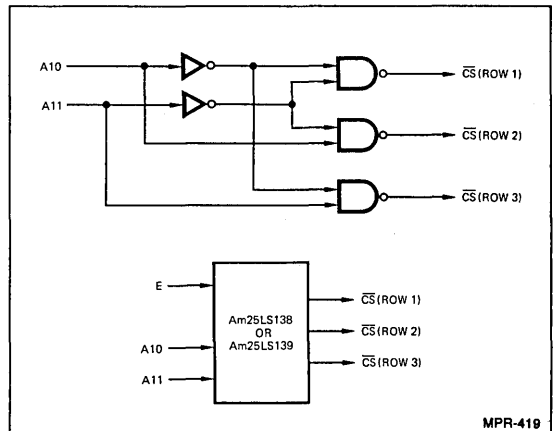


Figure 18. Chip Select Decoding.

Another approach (also shown in the Figure 18) takes advantage of MSI binary decoders like the Am25LS138 or Am25LS139. Both offer package count advantages, especially as the system gets bigger, and control logic is included that permits deselection of all rows. This can be handy for power-down situations and some other circumstances. Notice that the output polarity is such that the decoders interface directly with the memory chips.

The Am9140 can be converted to a common I/O instead of a separate I/O device simply by wiring together the Data In and the Data Out lines. When that is done, the same precautions suggested for the Am9130 concerning bus contention should be observed. Conversion of the Am9130 from common to separate I/O is only slightly more complex. The Am2915 (or Am2905) is a quad three-state bus transceiver. When connected as illustrated in Figure 19, it serves to create the bus needed by the Am9130 from separate input and output data. It even includes convenient registers on both sides. For a circuit without the registers and other control features of the Am2915, try the Am8T26. Both are four bits wide and so match up nicely with a column of Am9130 chips operating in parallel.

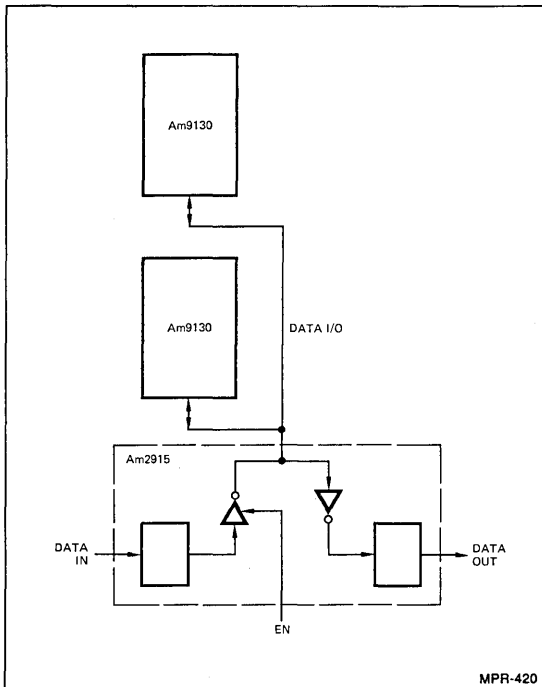


Figure 19.

Memory Status Timing

Figure 20 shows the timing information conveyed by the MS output. The rising edge indicates that output data is valid and makes a convenient strobe for output to the rest of the system. See Figure 20a. When several chips are being used in parallel, the Memory Status signal from the slowest chip should be the strobe in order to assure that all the data bits are available and valid. There is a brief nominal delay from the worst-case output data to the rising edge of MS. That time is always greater than zero under similar loading conditions for the two signals.

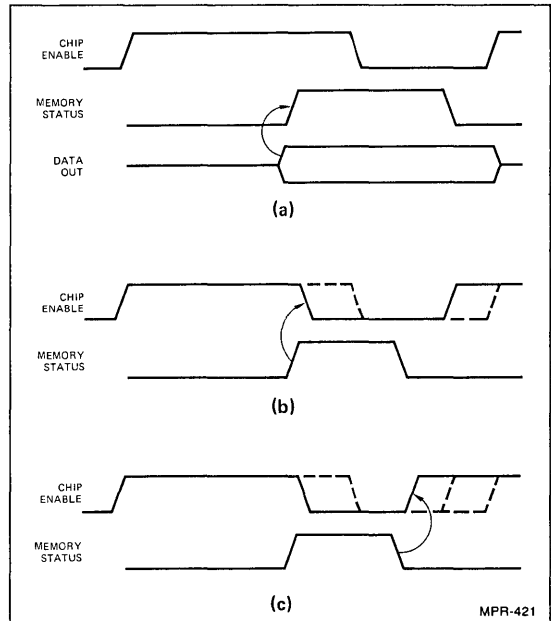


Figure 20. Memory Status Information.

The front edge of MS also specifies the end of the time that CE must be held high for that operation. See Figure 20b. Though CE may be high as long as desired, it may safely go low any time after MS goes high. MS will stay high until the internal preset operation is complete. Thus, it will not go low until some time after CE goes low and the total time that MS is high depends not only on the actual operating conditions of the memory, but also the delay from MS high to CE low.

The falling edge of MS specifies that the memory is ready for a new operation to be initiated. See Figure 20c. When several chips are operated in parallel, the latest falling edge will indicate the earliest time that their CE should go high. The chip with the longest access time will also be the chip with the longest preset time. The picture in Figure 21 shows an MS waveform during a simple read cycle.

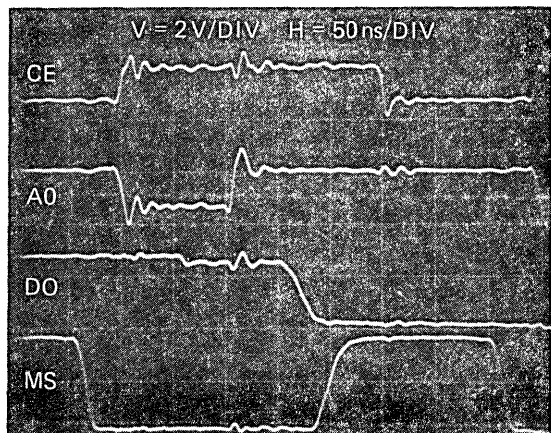


Figure 21. Read Cycle Waveforms.

Am9130/Am9140

Memory Status is derived from the selection of the row of reference cells and the reference row is always doing a read operation. Thus, the MS output will appear in every operating cycle, whether a read or a write is being performed. If the Write Enable line is low at the start of the cycle, and if the input data are present at the same time, MS may be considered a valid indication that the write is complete and CE may be switched low. However, if WE is not low or input data are not present until sometime later in the cycle, then the worst-case write timing requirements as shown in the specification sheet must be observed, independent of indications from the rising edge of MS. The falling edge of MS will be fully valid in any type of cycle.

Since the requirements for the two transitions of the Chip Enable clock can be fully specified by the transitions of the Memory Status output, these memories can be effectively self-clocking. The MS output may be inverted and then used as the CE input as shown in Figure 22. Not only will the memory run properly, but it will run at its best frequency for any given set of operating conditions and it will change that frequency as the conditions change. There are many potential capabilities implied by the Memory Status concept, including: adaptive self-timed memories, true asynchronous operations, elimination of support circuit skews, temperature compensation, new memory architectures, improved speed/power ratio, etc.

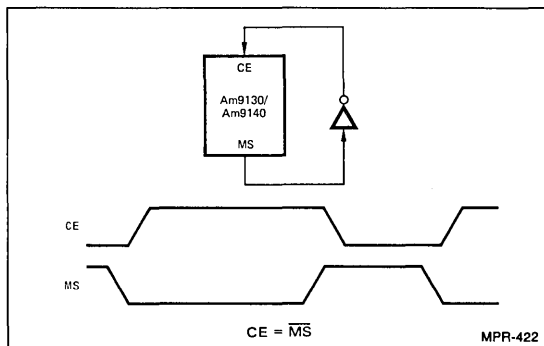


Figure 22. The Self-Clocking Memory.

Memory Status Coordination

Figure 23 shows logic for combining multiple Memory Status signals. Gate A is used to detect when both MS outputs are high indicating that output data is available. Similarly, gate B detects that both MS outputs are low, indicating that the preset period is complete for both chips. The system associated with the memory can use this information to coordinate the flow and the generation of the CE clock. Essentially, this logic allows the slowest chip to govern the overall memory speed. The inputs to the coordinating logic can of course be expanded to handle as many chips as desired.

To combine these two pieces of status information, a simple cross-coupled latch can be added as shown in Figure 24. Since there are times when neither condition is true, the latch serves to maintain the previous status indication until a new state is valid. The result is a System Status signal that specifies for the system the same information that each MS signal specifies for an individual chip.

The clock may be derived independently for synchronization with the using system. Alternatively, the System Status signal may be inverted and used for the CE clock as indicated by the

dotted line. The timing for this arrangement is shown in Figure 25. The memory will free-run at its best speed and the System Status will provide a synchronizing signal for use by the rest of the system.

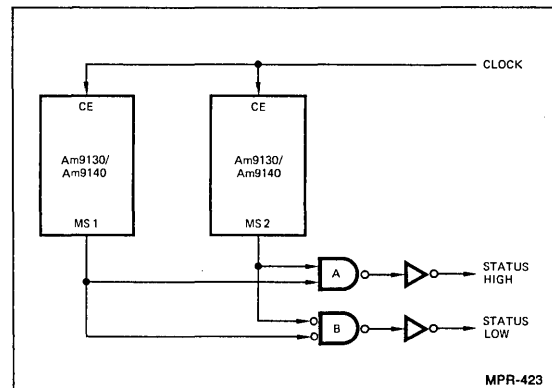


Figure 23. Status Coordination Logic.

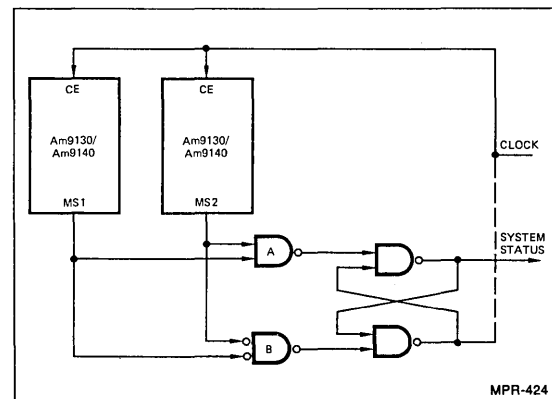


Figure 24. Clock Generation Logic.

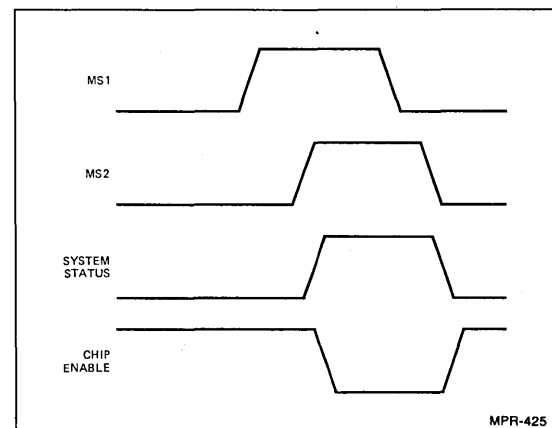


Figure 25. Status Timing.

Handshaking Control

For systems that cannot be memory-driven, some means of controlling the clocking is needed. To permit the memory to single-step, a gate can be inserted in the dotted line of Figure 24 with a control line to turn the clock on or off. A more versatile and more asynchronous approach is illustrated in Figure 26. An additional latch is added to generate the clock so that the status information is derived independent of the clock control.

When the Cycle Request input is low, the memory will preset and prepare for an active cycle. When all is ready, Status Acknowledge will go low. When CR goes high, the memory will execute a cycle and will acknowledge conditions of access by bringing SA high. CR and SA then form a simple asynchronous handshaking pair for memory control. Notice that CR may go high at any time to start a cycle. If the chips are ready (SA low), the clock will proceed, but if preset is not complete (SA high) the memory will wait before initiating the requested cycle.

The timing for CR is quite simple. It should be held high until SA goes low. If SA is already low, a narrow CR pulse will suffice. Thus, a brief Cycle Request will cause the memory to execute one complete cycle and stop. If CR is held high, the memory will access (SA goes high) and then will leave the clock high until CR goes low. This allows Read/Modify/Write operations to be performed quite easily.

Advanced Micro Devices has designed a Low-Power Schottky support circuit for use with these memories. It integrates all of the logic for coordinating several Memory Status signals and for controlling the CE clock. It uses the same basic approach as shown here. Please contact the factory for details.

Interleaved Operation

With the clock derived locally within the memory from the MS signals, and with the clocking logic integrated on a single chip, it becomes convenient to individually clock each row of

a memory system. An example configuration is shown in Figure 27, with each support logic block being similar to the circuitry previously discussed. Each row is clocked only when it is addressed by the Chip Select signal (A_0 or $\overline{A_0}$). Unselected rows wait in their preset state until they are selected and clocked. The Cycle Request input is steered to the selected row by added logic. The Status Acknowledge outputs are three-state and only the SA for the selected row is turned on. The selected row will proceed when its preset is complete. When the data from the requested operation is available, the Status Acknowledge output goes high. The using system can then request another operation immediately once a new address is ready.

Independent clocking of each row adds little support circuit complexity while providing increased overall performance in two ways. First, the speed of each access is limited only by the slowest device in the selected row rather than the slowest device in the whole array. Secondly, successive operations in different rows will be faster because the wait for preset is eliminated; one row will preset while another is being accessed. Notice that the low order bit is used as the Chip Select address. In many systems, this will improve the distribution of alternate accesses for sequential information by mapping even addresses in one row and odd addresses in the other.

In any event, no matter where the operation is addressed or when it is requested, the memory will respond in the best possible time. The Cycle Request and Status Acknowledge signals form a true asynchronous handshaking pair. All of the variations in performance caused by the timing of the request, the row addressing patterns, the speeds of the individual chips and the memory operating conditions are automatically reflected in the response of the Acknowledge signal. An interesting challenge will be to design using systems that can take advantage of this unusual capability.

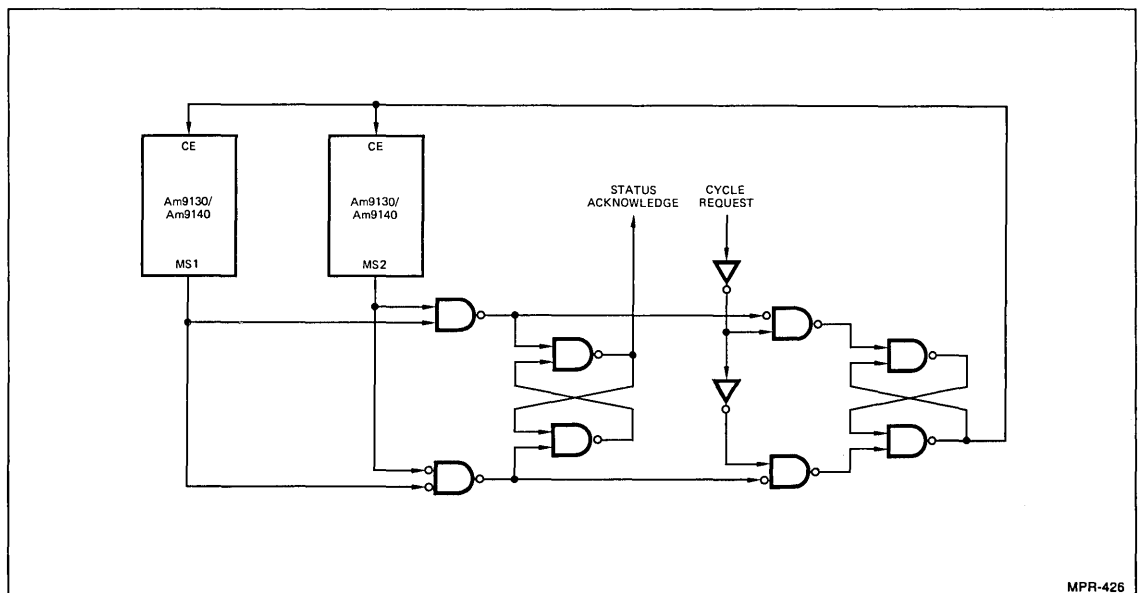


Figure 26. Handshaking Control.

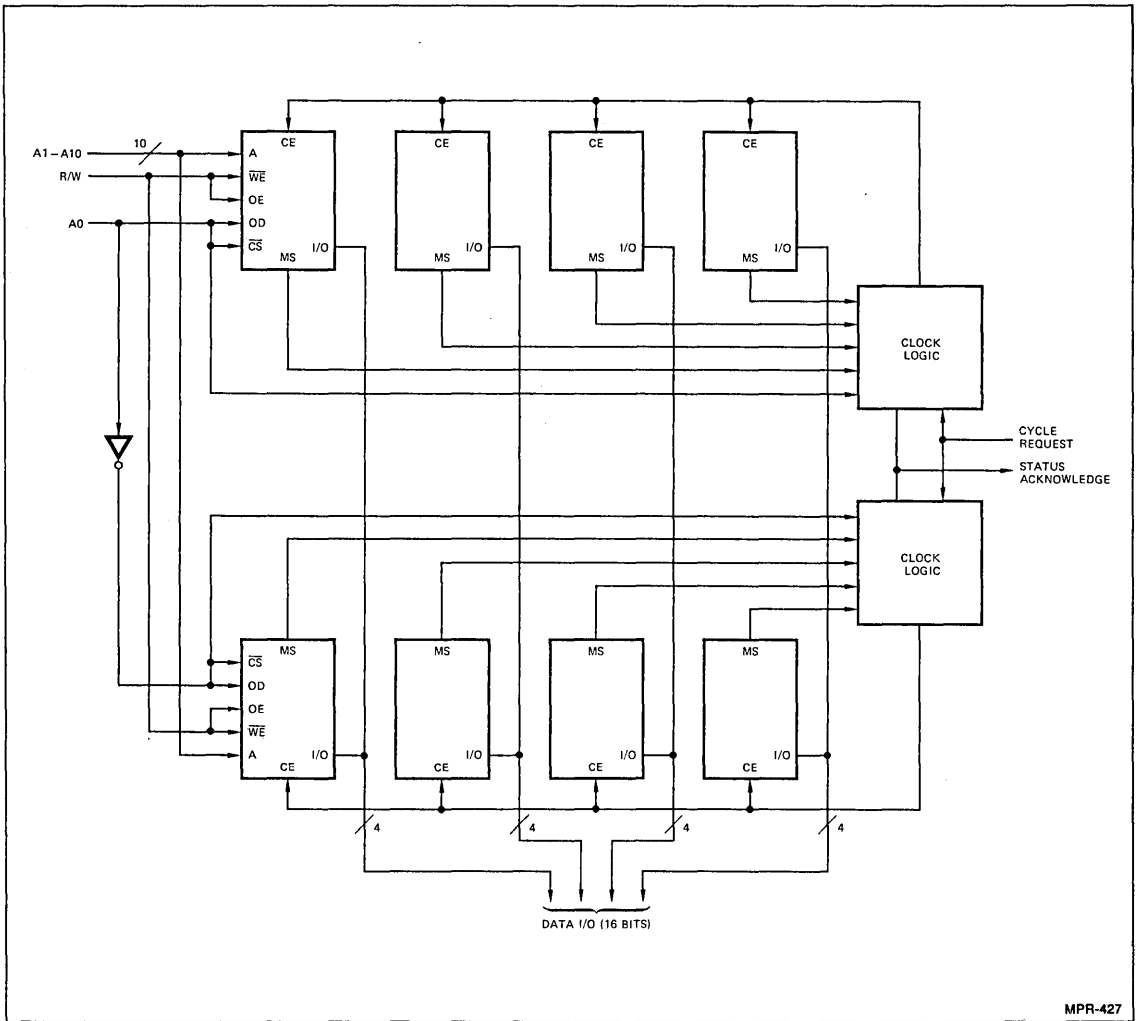


Figure 27. 2k x 16 Interleaved Memory System.

Am2900 Family Applications Literature

The Microprogramming Handbook

A 44-page book providing examples of the design of microprogram control systems and an explanation of the techniques used in programming these machines.

Order AM-PUB029 Price \$5.00

A 16-Bit Microprogrammed Computer

The complete design of a 16-Bit Minicomputer covering specification, management, architecture, and detailed design of the ALU, Memory, DMA channel, interrupt system, and control unit. 48 pages.

Order AM-PUB030 Price \$5.00

A High Performance Disc Controller

This book covers the detailed design of a controller. Specifically it is an interface between a Pertec disc and a DEC PDP-11[®] minicomputer. Most controllers will be architecturally similar. Includes schematics and microcode.

Order AM-PUB065 Price \$5.00

An Emulation of the Am9080A

This book describes a 2900 based system which executes instructions of the Am9080A MOS microprocessor. It operates about 4 times faster than the Am9080A and leaves space for user defined instructions in addition to the standard instruction set.

Order AM-PUB064 Price \$5.00

Microprogram Design with the Am2900 Family

A discussion of the "instruction-cracking" problem in microprogrammed machines. Discusses ways to translate op codes into microprogram addresses and control lines.

Order AM-PUB069 Free

The Microprogramming Card

This pocket sized card gives the block diagrams, pin-outs, and instruction sets for most Am2900 products. Also includes AMDASM summary.

Order AM-PUB068 Free

Advanced Micro Devices Commitment to Excellence



Product Assurance Programs for Military and Commercial Integrated Circuits



A COMMITMENT TO EXCELLENCE

Advanced Micro Devices was conceived on the premise that there was a place in the semiconductor community for a manufacturer dedicated to excellence.

In product assurance procedures, Advanced Micro Devices is unique. Only Advanced Micro Devices processes all integrated circuits, commercial as well as military, to the demanding requirements of MIL-STD-883. The Rome Air Development Center (RADC), which is the Air Force's principal authority on component reliability, has issued MIL-HDBK-217B which indicates that parts processed to Military Standard 883, Level C (Advanced Micro Devices' standard processing) yield a product nearly ten times better in failure rates than the industry commercial average.

Our Sunnyvale facility has been certified by the Defense Electronics Supply Center (DESC) to produce parts to JAN Class B and C under Military Specification MIL-M-38510. The National Aeronautics and Space Administration (NASA) has certified this production line for the manufacture of Class A products for programs requiring the highest levels of reliability. Advanced Micro Devices is the only integrated circuit company formed within the last ten years to achieve such line certification.

This brochure outlines Advanced Micro Devices' standard programs for Class B, C and A devices for military and commercial operating range applications. These will cover the majority of system requirements today. Alternative screening flows for specific user needs can be performed on request. Check with your local sales office for further information.

ADVANCED MICRO DEVICES' STANDARD PRODUCTS ARE MANUFACTURED TO MIL-STD-883 REQUIREMENTS

Advanced Micro Devices' product assurance programs are based on two key documents.

MIL-M-38510 – General Specification for Microcircuits

MIL-STD-883 – Test Methods and Procedures for Microelectronics

The screening charts in this brochure show that every integrated circuit shipped by Advanced Micro Devices receives the critical screening procedures defined in MIL-STD-883, Method 5004 for Class C product. This includes molded plastic devices.

In addition, documentation, design, processing and assembly workmanship guidelines are patterned after MIL-M-38510 specifications.

Commercial and industrial users receive the quality and reliability benefits of this aerospace-type screening and documentation at no additional cost.

STANDARD PRODUCT TESTING CATEGORIES

Advanced Micro Devices offers integrated circuits to four standard testing categories.

1. Commercial operating range product (typically 0°C to 70°C)
2. Commercial product with 100% temperature testing
3. Military operating range product (typically –55°C to +125°C)
4. JAN qualified product

Categories 1, 2 and 3 are available on most Advanced Micro Devices circuits. Category 4 is offered on a more limited line. Check with your local sales office for details.

STANDARD PRODUCT ASSURANCE CATEGORIES

Devices produced to the above testing categories are available to the three standard classes of product assurance defined by MIL-STD-883. As a minimum, every device shipped by Advanced Micro Devices meets the screening requirements of Class C.

Class C – For commercial and ground-based military systems where replacement can be accomplished without difficulty.

According to MIL-HDBK-217B, this assures relative failure rates 9.4 times better than that of regular industry commercial product.

Class B – For flight applications and commercial systems where maintenance is difficult or expensive and where reliability is vital.

Devices are upgraded from Class C to Class B by burn-in screening and additional testing.

According to MIL-HDBK-217B, Class B failure rate is improved 30 times over regular industry commercial product. Advanced Micro Devices Class B processing conforms to MIL-STD-883 requirements. MIL-HDBK-217B indicates that this may provide failure rates as much as two times better than some other manufacturers' "equivalent" or "pseudo" Class B programs.

Class S – For space applications where replacement is extremely difficult or impossible and reliability is imperative.

Class S screening includes x-ray and other special inspections tailored to the specific requirements of the user.

The 100% screening and quality conformance testing performed within these Advanced Micro Devices programs is shown in TABLES I, II and III. A full description of the process flow is provided in Product Assurance Document 15-010, available on request.

CLASS C SCREENING FLOW FOR COMMERCIAL SYSTEMS AND GROUND BASED MILITARY SYSTEMS

**TABLE I
CLASS C
INTEGRATED CIRCUITS**

| Screening Procedure per MIL-STD-883 Method 5004, Class C | | COMMERCIAL OPERATING RANGE | | MILITARY OPERATING RANGE | |
|---|--|------------------------------|--|--------------------------|-----------------------|
| | | HERMETIC AND MOLDED PACKAGES | | HERMETIC PACKAGE ONLY | |
| | | C1 | C2 | C3 | C4 |
| Screen | Test Method | Commercial Product | Commercial Product With 100% Temperature Testing | Military Product | Jan Qualified Product |
| VISUAL AND MECHANICAL | | | | | |
| Internal visual | 2010, Condition B | 100% | 100% | 100% | 100% |
| High temperature storage | 1008, Condition C, 24 hours | 100% | 100% | 100% | 100% |
| Temperature cycle | 1010, Condition C | 100% | 100% | 100% | 100% |
| Constant acceleration | 2001 | 100% (1) | 100% (1) | 100% | 100% |
| Hermeticity, Fine and Gross | 1014 | 100% (1) | 100% (1) | 100% | 100% |
| FINAL ELECTRICAL TESTS | | AMD Data Sheet | AMD Data Sheet | AMD Data Sheet | 38510 Slash Sheet |
| Static (dc) | a) At 25°C, and power supply extremes b) At temperature and power supply extremes | 100% | 100% | 100% | 100% |
| Functional | a) At 25°C, and power supply extremes b) At temperature and power supply extremes | (2) | 100% (3) | - | - |
| Switching (ac) or Dynamic | At 25°C, nominal power supply | (2) | 100% (3) | - | - |
| QUALITY CONFORMANCE | 5005, Group A (See Table II) | Sample | Sample | Sample | Sample |
| Sample Tests | Group B | - | - | - | Sample |
| | Group C | - | - | - | Sample |
| | Group D | - | - | - | Sample |
| EXTERNAL VISUAL | 2009 (Note 5) | 100% | 100% | 100% | 100% |

**TABLE II
GROUP A QUALITY CONFORMANCE LEVELS**

Advanced Micro Devices employs the military-recommended LTPD sampling system to assure quality. MIL-STD-883, Method 5005, TABLE I, Group A, subgroups 1 through 9 as appropriate to the device family are performed on every lot. Quality levels defined for Class B product are applied by Advanced Micro Devices to both Class B and Class C orders.

| | LTPD | INITIAL SAMPLE SIZE |
|---|------|---------------------|
| Subgroup 1 - Static tests at 25°C | 5 | 45 |
| Subgroup 2 - Static tests at maximum rated operating temperature | 7 | 32 |
| Subgroup 3 - Static tests at minimum rated operating temperature | 7 | 32 |
| Subgroup 4 - Dynamic tests at 25°C - LINEAR devices | 5 | 45 |
| Subgroup 5 - Dynamic tests at maximum rated operating temperature - LINEAR devices | 7 | 32 |
| Subgroup 6 - Dynamic tests at minimum rated operating temperature - LINEAR devices | 7 | 32 |
| Subgroup 7 - Functional tests at 25°C | 5 | 45 |
| Subgroup 8 - Functional tests at maximum and minimum rated operating temperatures | 10 | 22 |
| Subgroup 9 - Switching tests at 25°C - DIGITAL devices | 7 | 32 |
| Subgroup 10 - Switching tests at maximum rated operating temperatures - DIGITAL devices | * | |
| Subgroup 11 - Switching tests at minimum rated operating temperatures - DIGITAL devices | * | |

*These subgroups, where applicable, are usually performed during initial characterization only for all except JAN Qualified product.

CLASS B SCREENING FLOW FOR HIGH RELIABILITY COMMERCIAL AND MILITARY SYSTEMS

TABLE III
CLASS B
INTEGRATED CIRCUITS
(Class C plus burn in screening
and additional testing.)

| Screening Procedure per MIL-STD-883 Method 5004, Class B | | COMMERCIAL OPERATING RANGE | | MILITARY OPERATING RANGE | |
|---|---|---------------------------------|---|-----------------------------|-----------------------------|
| | | HERMETIC AND MOLDED PACKAGES | | HERMETIC PACKAGE ONLY | |
| | | B1 | B2 Commercial Product With 100% Temper- ature Testing | B3 | B4 |
| Screen | Test Method | Commercial Product | Commercial Product With 100% Temper- ature Testing | Military Product | Jan Qualified Product |
| VISUAL AND MECHANICAL | | | | | |
| Internal visual | 2010, Condition B | 100% | 100% | 100% | 100% |
| High temperature storage | 1008, Condition C, 24 hours | 100% | 100% | 100% | 100% |
| Temperature cycle | 1010, Condition C | 100% | 100% | 100% | 100% |
| Constant acceleration | 2001 | 100% (1) | 100% (1) | 100% | 100% |
| Hermeticity, Fine and Gross | 1014 | 100% (1) | 100% (1) | 100% | 100% |
| BURN IN | | | | | |
| Interim (pre burn in) electricals | Per applicable device specification | 100% | 100% | 100% | 100% |
| Burn in | 1015, 160 hours at 125°C or equivalent. | 100% | 100% | 100% | 100% |
| FINAL ELECTRICAL TESTS | | AMD Data Sheet | AMD Data Sheet | AMD Data Sheet | 38510 Slash Sheet |
| Static (dc) | a) At 25°C, and power supply extremes | 100% | 100% | 100% | 100% |
| Functional | b) At temperature and power supply extremes | (2) | 100% (3) | 100% | 100% |
| | a) At 25°C, and power supply extremes | 100% | 100% | 100% | 100% |
| Switching (ac) or Dynamic | b) At temperature and power supply extremes | (2) | 100% (3) | 100% | 100% |
| | At 25°C, nominal power supply | (2) | (2) | 100% | 100% |
| QUALITY CONFORMANCE | | Sample | Sample | Sample | Sample |
| Sample Tests | 5005, Group A (See Table II) | - | - | (4) | Sample |
| | Group B | - | - | (4) | Sample |
| | Group C | - | - | (4) | Sample |
| | Group D | - | - | (4) | Sample |
| EXTERNAL VISUAL | 2009 (Note 5) | 100% | 100% | 100% | 100% |

Notes: 1. Not applicable to molded packages.

2. All MOS RAMs and many other MOS devices receive a.c. testing and 100% d.c. screening at high temperature and power supply extremes as standard. Other products sampled at Group A (Table II).

3. Tested at high temperature, 100°C, only on commercial range product. Note that this is a full d.c. check of all parameters in addition to the simple "hot-rail" functional sequence performed on most other commercial programs.

4. Available to special order.

5. Without optical aid for commercial devices.

CLASS S FOR AEROSPACE SYSTEMS. (FORMERLY CLASS A)

Advanced Micro Devices offers a Class S program based on screening defined in MIL-STD-883, Method 5004.

This program together with other high reliability screening options, such as SEM and x-ray, is described as Option A in Advanced Micro Devices' Extended Processing Options Document 00-003. Contact your local Advanced Micro Devices sales office for more information.

STANDARD PRODUCT SCREENING SUMMARY AND ORDERING INFORMATION

1. COMMERCIAL PRODUCT

- Screened per MIL-STD-883, Method 5004.
- Electrically tested per AMD Data Sheet.
- Supplied in hermetic and molded packages.
- Quality conformance testing, Method 5005, Group A, performed to levels specified for Class B on both Class C and Class B options.

Class C (Flow C1)

- Order standard AMD part number.
 - Marked same as order number.
- Example: Am2901ADC

Class B (Flow B1)

- Burn in performed in AMD circuit condition.
 - Order standard AMD part number, add suffix B (or /883B for 1, 2 and 300 Series Linear devices).
 - Marked same as order number.
- Example: Am2901ADC-B

3. MILITARY PRODUCT

- Screened per MIL-STD-883, Method 5004.
- Electrically tested per AMD Data Sheet.
- Supplied in hermetic package only.
- Quality conformance testing, Method 5005, Group A, performed to levels specified for Class B on both Class B and Class C options.

Class C (Flow C3)

- Order standard AMD part number.
 - Marked same as order number.
- Example: Am2901ADM

Class B (Flow B3)

- Burn in performed in AMD circuit condition.
 - AC at 25°C, dc and functional testing at 25°C as well as temperature and power supply extremes performed on 100% of every lot.
 - Quality conformance testing, Method 5005, Groups B, C and D available to special order.
 - Order standard AMD part number, add suffix B.
 - Marked same as order number.
- Example: Am2901ADM-B

2. COMMERCIAL PRODUCT WITH 100% TEMPERATURE TESTING

- Identical to standard commercial operating range product with the addition of 100% dc and functional testing at 100°C and power supply extremes.

Class C (Flow C2)

- Order standard AMD part number, add suffix T.
 - Marked same as order number.
- Example: Am2901ADC-T

Class B (Flow B2)

- Burn in performed in AMD circuit condition.
 - Order standard AMD part number, add suffix TB.
 - Marked same as order number.
- Example: Am2901ADC-TB

4. JAN QUALIFIED PRODUCT

- Screened per MIL-STD-883, Method 5004.
- Electrically tested to JAN detail specification (slash sheet).
- Manufactured in Defense Logistics Agency certified facility.
- Quality conformance testing, Method 5005, Groups A, B, C and D performed as standard and must be completed prior to shipment.
- It is a product for which AMD has gained QPL listing.*

Class C (Flow C4)

- Order per military document.
 - Marked per military document.
- Example: JM38510/44001CQB

Class B (Flow B4)

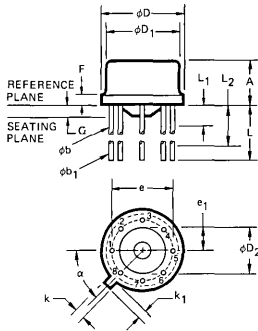
- Burn in performed in circuit condition approved for JAN devices.
 - Order per military document.
 - Marked per military document.
- Example: JM38510/44001BRC

*In certain cases where JAN Qualified product is specified but is not available, Advanced Micro Devices can provide devices to the electrical limits and burn-in criteria of the slash sheet. This class of product has been called JAN Equivalent and marked M38510/ by some manufacturers. This identification is no longer permitted by DESC. Check with your local sales office for availability of specific device types.

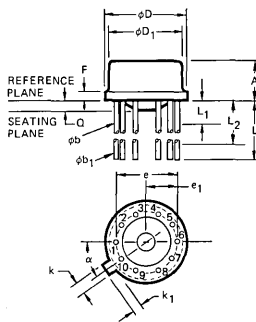
PACKAGE OUTLINES

METAL CAN PACKAGES

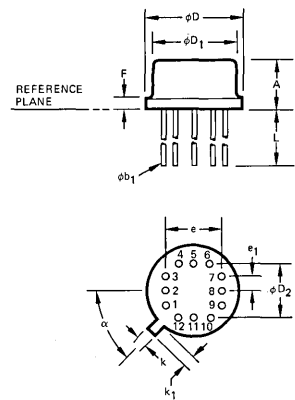
H-8-1



H-10-1



G-12-1



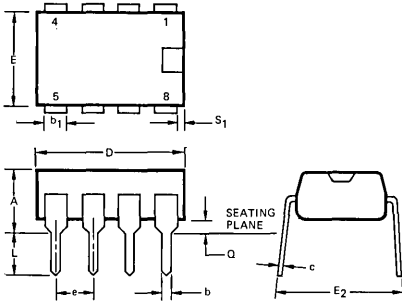
| AMD Pkg. | H-8-1 | | H-10-1 | | G-12-1 | |
|------------------|-----------------|------|------------------|------|----------------|------|
| Common Name | TO-99 Metal Can | | TO-100 Metal Can | | TO-8 Metal Can | |
| 38510 Appendix C | A-1 | | A-2 | | - | |
| Parameters | Min. | Max. | Min. | Max. | Min. | Max. |
| A | .165 | .185 | .165 | .185 | .155 | .180 |
| e | .185 | .215 | .215 | .245 | .390 | .410 |
| e_1 | .090 | .110 | .105 | .125 | .090 | .110 |
| F | .013 | .033 | .013 | .033 | .020 | .030 |
| k | .027 | .034 | .027 | .034 | .024 | .034 |
| k_1 | .027 | .045 | .027 | .045 | .024 | .038 |
| L | .500 | .570 | .500 | .610 | .500 | .600 |
| L_1 | | .050 | | .050 | | |
| L_2 | .250 | | .250 | | | |
| α | 45° BSC | | 36° BSC | | 45° | |
| ϕb | .016 | .019 | .016 | .019 | | |
| ϕb_1 | .016 | .021 | .016 | .021 | .016 | .021 |
| ϕD | .350 | .370 | .350 | .370 | .590 | .610 |
| ϕD_1 | .305 | .335 | .305 | .335 | .540 | .560 |
| ϕD_2 | .120 | .160 | .120 | .160 | .390 | .410 |
| Q | .015 | .045 | .015 | .045 | | |

Notes: 1. Standard lead finish is bright acid tin plate or gold plate.
 2. ϕb applies between L_1 and L_2 . ϕb_1 applies between L_1 and 0.500" beyond reference plane.

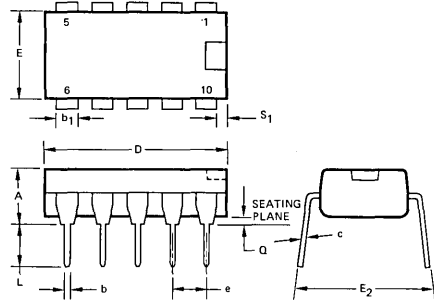
PACKAGE OUTLINES (Cont.)

MOLDED DUAL IN-LINE PACKAGES

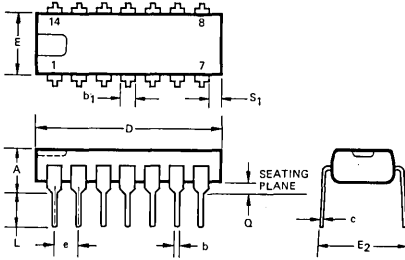
P-8-1



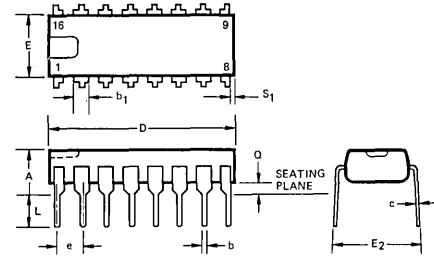
P-10-1



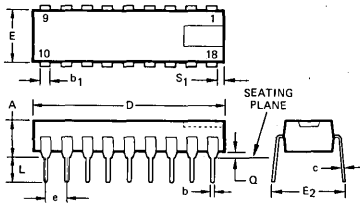
P-14-1



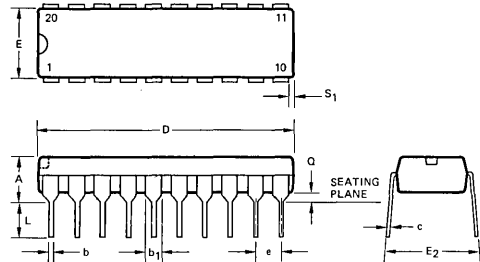
P-16-1



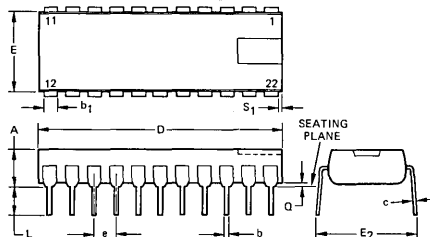
P-18-1



P-20-1



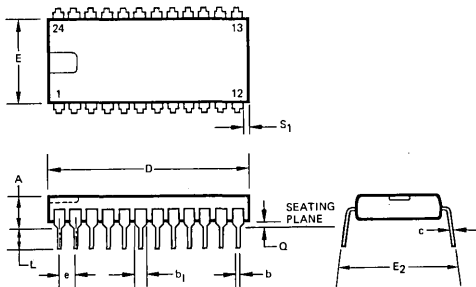
P-22-1



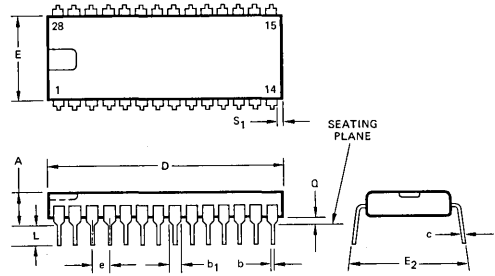
PACKAGE OUTLINES (Cont.)

MOLDED DUAL IN-LINE PACKAGES (Cont.)

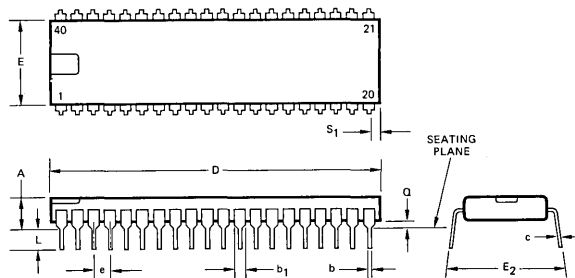
P-24-1



P-28-1



P-40-1



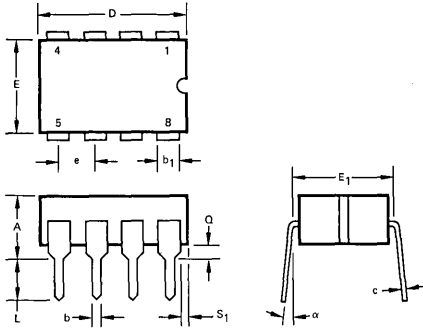
| AMD Pkg. | P-8-1 | | P-10-1 | | P-14-1 | | P-16-1 | | P-18-1 | | P-20-1 | | P-22-1 | | P-24-1 | | P-28-1 | | P-40-1 | |
|----------------|-------|------|--------|------|--------|------|--------|------|--------|------|--------|-------|--------|-------|--------|-------|--------|-------|--------|-------|
| Parameters | Min. | Max. | Min. | Max. | Min. | Max. | Min. | Max. | Min. | Max. | Min. | Max. | Min. | Max. | Min. | Max. | Min. | Max. | Min. | Max. |
| A | .150 | .200 | .150 | .200 | .150 | .200 | .150 | .200 | .150 | .200 | .150 | .200 | .150 | .200 | .170 | .215 | .150 | .200 | .150 | .200 |
| b | .015 | .022 | .015 | .020 | .015 | .020 | .015 | .020 | .015 | .020 | .015 | .020 | .015 | .020 | .015 | .020 | .015 | .020 | .015 | .020 |
| b ₁ | .055 | .065 | .055 | .065 | .055 | .065 | .055 | .065 | .055 | .065 | .055 | .065 | .055 | .065 | .055 | .065 | .055 | .065 | .055 | .065 |
| c | .009 | .011 | .009 | .011 | .009 | .011 | .009 | .011 | .009 | .011 | .009 | .011 | .009 | .011 | .009 | .011 | .009 | .011 | .009 | .011 |
| D | .375 | .395 | .505 | .550 | .745 | .775 | .745 | .775 | .895 | .925 | 1.010 | 1.050 | 1.080 | 1.120 | 1.240 | 1.270 | 1.450 | 1.480 | 2.050 | 2.080 |
| E | .240 | .260 | .240 | .260 | .240 | .260 | .240 | .260 | .240 | .260 | .250 | .290 | .330 | .370 | .515 | .540 | .530 | .550 | .530 | .550 |
| E ₂ | .310 | .385 | .310 | .385 | .310 | .385 | .310 | .385 | .310 | .385 | .310 | .385 | .410 | .480 | .585 | .700 | .585 | .700 | .585 | .700 |
| e | .090 | .110 | .090 | .110 | .090 | .110 | .090 | .110 | .090 | .110 | .090 | .110 | .090 | .110 | .090 | .110 | .090 | .110 | .090 | .110 |
| L | .125 | .150 | .125 | .150 | .125 | .150 | .125 | .150 | .125 | .150 | .125 | .150 | .125 | .150 | .125 | .160 | .125 | .160 | .125 | .160 |
| Q | .015 | .060 | .015 | .060 | .015 | .060 | .015 | .060 | .015 | .060 | .015 | .060 | .015 | .060 | .015 | .060 | .015 | .060 | .015 | .060 |
| S ₁ | .010 | .030 | .040 | .070 | .040 | .065 | .010 | .040 | .030 | .040 | .025 | .055 | .015 | .045 | .035 | .065 | .040 | .070 | .040 | .070 |

Notes: 1. Standard lead finish is tin plate or solder dip.
 2. Dimension E₂ is an outside measurement.

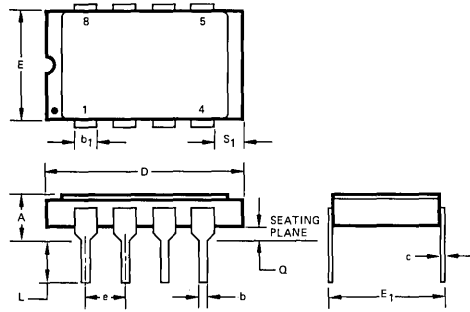
PACKAGE OUTLINES (Cont.)

HERMETIC DUAL IN-LINE PACKAGES

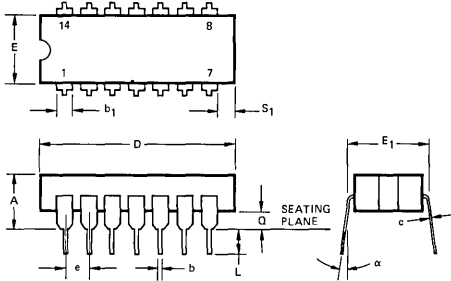
D-8-1



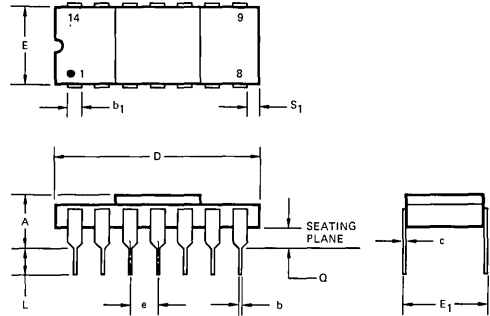
D-8-2



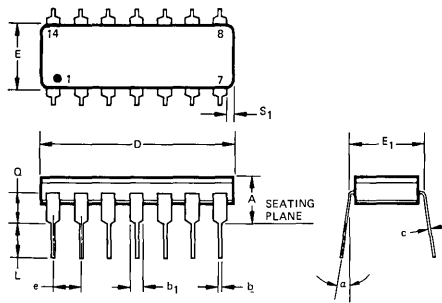
D-14-1



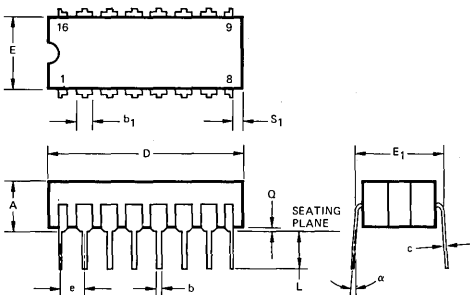
D-14-2



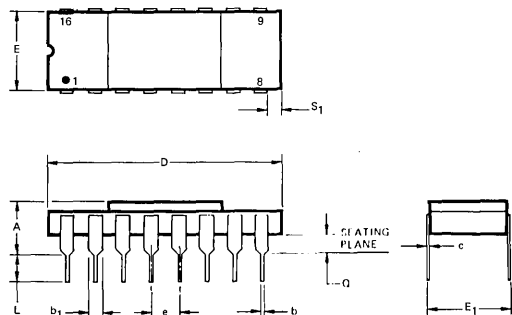
D-14-3



D-16-1



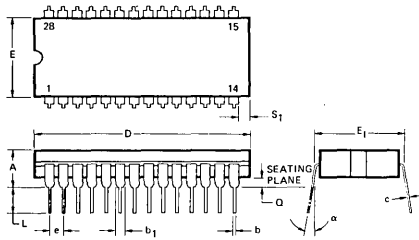
D-16-2



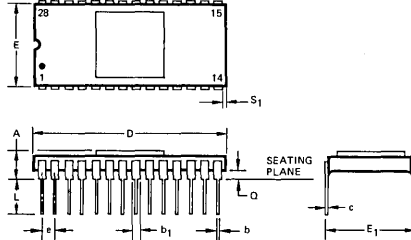
PACKAGE OUTLINES (Cont.)

HERMETIC DUAL IN-LINE PACKAGES (Cont.)

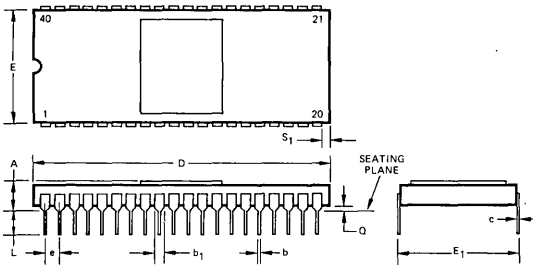
D-28-1



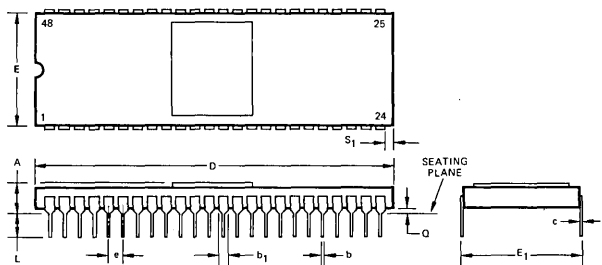
D-28-2



D-40-2



D-48-2



| AMD Pkg. | D-8-1 | | D-8-2 | | D-14-1 | | D-14-2 | | D-14-3 (NOTE 2) | | D-16-1 | | D-16-2 | | D-18-1 | | D-18-2 | | D-20-1 | |
|----------------------|--------|------|-------------|------|--------|------|-------------|------|--------------------|------|--------|------|-------------|------|--------|------|-------------|------|--------|------|
| Common Name | CERDIP | | SIDE-BRAZED | | CERDIP | | SIDE-BRAZED | | METAL DIP | | CERDIP | | SIDE-BRAZED | | CERDIP | | SIDE-BRAZED | | CERDIP | |
| 38510 Appendix C | - | | - | | D-1(1) | | D-1(3) | | D-1(1) | | D-2(1) | | D-2(3) | | - | | - | | - | |
| Parameters | Min. | Max. | Min. | Max. | Min. | Max. | Min. | Max. | Min. | Max. | Min. | Max. | Min. | Max. | Min. | Max. | Min. | Max. | Min. | Max. |
| A | .130 | .200 | .100 | .200 | .130 | .200 | .100 | .200 | .100 | .200 | .130 | .200 | .100 | .200 | .130 | .200 | .100 | .200 | .140 | .220 |
| b | .016 | .020 | .015 | .022 | .016 | .020 | .015 | .022 | .015 | .023 | .016 | .020 | .015 | .022 | .016 | .020 | .015 | .022 | .016 | .020 |
| b ₁ | .050 | .070 | .040 | .065 | .050 | .070 | .040 | .065 | .030 | .070 | .050 | .070 | .040 | .065 | .050 | .070 | .040 | .065 | .050 | .070 |
| c | .009 | .011 | .008 | .013 | .009 | .011 | .008 | .013 | .008 | .011 | .009 | .011 | .008 | .013 | .009 | .011 | .008 | .013 | .009 | .011 |
| D | .370 | .400 | .500 | .540 | .745 | .785 | .690 | .730 | .660 | .785 | .745 | .785 | .780 | .820 | .870 | .920 | .850 | .930 | .935 | .970 |
| E | .240 | .285 | .260 | .310 | .240 | .285 | .260 | .310 | .230 | .265 | .240 | .310 | .260 | .310 | .280 | .310 | .260 | .310 | .245 | .285 |
| E ₁ | .300 | .320 | .290 | .320 | .290 | .320 | .290 | .320 | .290 | .310 | .290 | .320 | .290 | .320 | .290 | .320 | .290 | .320 | .290 | .320 |
| e | .090 | .110 | .090 | .110 | .090 | .110 | .090 | .110 | .090 | .110 | .090 | .110 | .090 | .110 | .090 | .110 | .090 | .110 | .090 | .110 |
| L | .125 | .150 | .125 | .160 | .125 | .160 | .125 | .160 | .100 | .150 | .125 | .150 | .125 | .160 | .125 | .160 | .125 | .160 | .125 | .150 |
| Q | .015 | .060 | .020 | .060 | .015 | .060 | .020 | .060 | .020 | .080 | .015 | .060 | .020 | .060 | .015 | .060 | .020 | .060 | .015 | .060 |
| S ₁ | .004 | | .005 | | .010 | | .005 | | .020 | | .005 | | .005 | | .005 | | .005 | | .005 | |
| α | 3° 13° | | | | 3° 13° | | | | 3° 13° | | 3° 13° | | | | 3° 13° | | | | 3° 13° | |
| Standard Lead Finish | b | | b or c | | b | | b or c | | c | | b | | b or c | | b | | b or c | | b | |

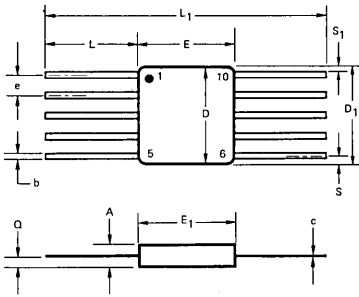
| AMD Pkg. | D-20-2 | | D-22-1 | | D-22-2 | | D-24-1 | | D-24-2 | | D-24-4 | | D-28-1 | | D-28-2 | | D-40-2 | | D-48-2 | |
|----------------------|-------------|-------|--------|-------|-------------|-------|--------|-------|-------------|-------|---------|-------|--------|-------|-------------|-------|-------------|-------|-------------|-------|
| Common Name | SIDE-BRAZED | | CERDIP | | SIDE-BRAZED | | CERDIP | | SIDE-BRAZED | | CERVIEU | | CERDIP | | SIDE-BRAZED | | SIDE-BRAZED | | SIDE-BRAZED | |
| 38510 Appendix C | - | | - | | - | | D-3(1) | | D-3(3) | | - | | - | | - | | - | | - | |
| Parameters | Min. | Max. | Min. | Max. | Min. | Max. | Min. | Max. | Min. | Max. | Min. | Max. | Min. | Max. | Min. | Max. | Min. | Max. | Min. | Max. |
| A | .100 | .200 | .140 | .220 | .100 | .200 | .150 | .225 | .100 | .200 | .150 | .225 | .150 | .225 | .100 | .200 | .100 | .200 | .100 | .200 |
| b | .015 | .022 | .016 | .020 | .015 | .022 | .016 | .020 | .015 | .022 | .016 | .020 | .016 | .020 | .015 | .022 | .015 | .022 | .015 | .022 |
| b ₁ | .040 | .065 | .045 | .065 | .030 | .060 | .045 | .065 | .030 | .060 | .045 | .065 | .045 | .065 | .030 | .060 | .030 | .060 | .030 | .060 |
| c | .008 | .013 | .009 | .011 | .008 | .013 | .009 | .011 | .008 | .013 | .009 | .011 | .009 | .012 | .008 | .013 | .008 | .013 | .008 | .013 |
| D | .950 | 1.010 | 1.045 | 1.110 | 1.050 | 1.110 | 1.230 | 1.285 | 1.170 | 1.200 | 1.235 | 1.290 | 1.440 | 1.490 | 1.380 | 1.420 | 1.960 | 2.040 | 2.370 | 2.430 |
| E | .260 | .310 | .360 | .405 | .360 | .410 | .510 | .545 | .550 | .610 | .510 | .550 | .510 | .545 | .560 | .600 | .550 | .610 | .570 | .610 |
| E ₁ | .290 | .320 | .390 | .420 | .390 | .420 | .600 | .620 | .590 | .620 | .600 | .630 | .600 | .620 | .590 | .620 | .590 | .620 | .590 | .620 |
| e | .090 | .110 | .090 | .110 | .090 | .110 | .090 | .110 | .090 | .110 | .090 | .110 | .090 | .110 | .090 | .110 | .090 | .110 | .090 | .110 |
| L | .125 | .160 | .125 | .150 | .125 | .160 | .120 | .150 | .120 | .160 | .120 | .150 | .125 | .150 | .120 | .160 | .120 | .160 | .125 | .160 |
| Q | .020 | .060 | .015 | .060 | .020 | .060 | .015 | .060 | .020 | .060 | .015 | .060 | .015 | .060 | .020 | .060 | .020 | .060 | .020 | .060 |
| S ₁ | .005 | | .005 | | .005 | | .010 | | .005 | | .010 | | .010 | | .005 | | .005 | | .005 | |
| α | 3° 13° | | | | 3° 13° | | | | 3° 13° | | 3° 13° | | | | 3° 13° | | | | 3° 13° | |
| Standard Lead Finish | b or c | | b | | b or c | | b | | b or c | | b | | b | | b | | b or c | | b or c | |

- Notes: 1. Load finish b is tin plate. Finish c is gold plate.
- 2. Used only for LM108/LM108A.
- 3. Dimensions E and D allow for off-center lid, meniscus and glass overrun.

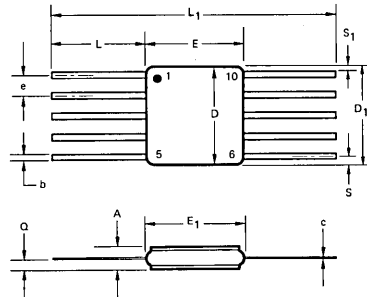
PACKAGE OUTLINES (Cont.)

FLAT PACKAGES

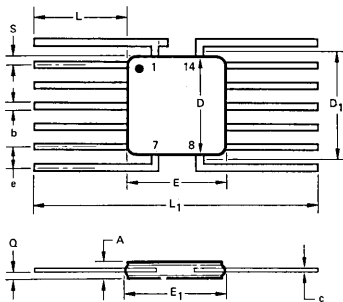
F-10-1



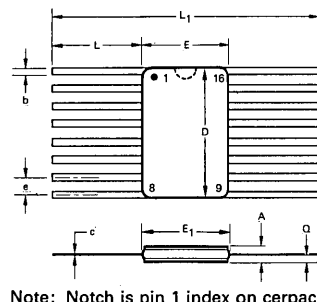
F-10-2



F-14-1 and F-14-2

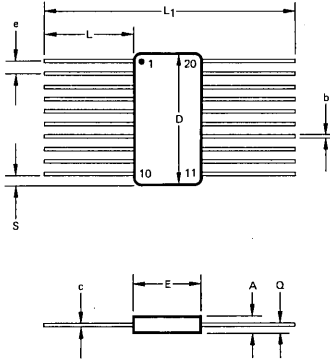


F-16-1 and F-16-2

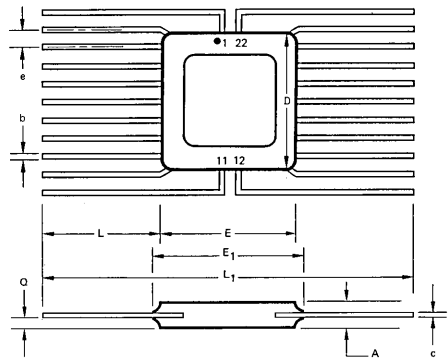


Note: Notch is pin 1 index on cerpack.

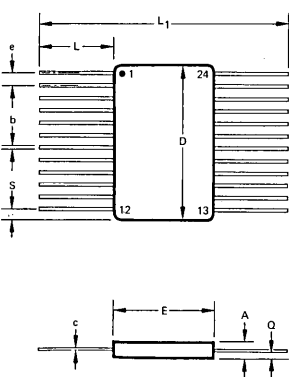
F-20-1



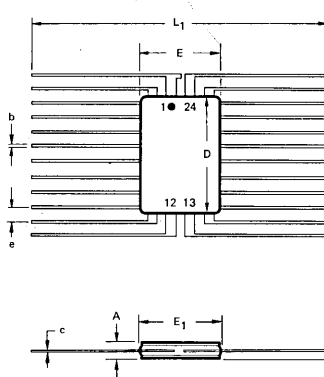
F-22-1



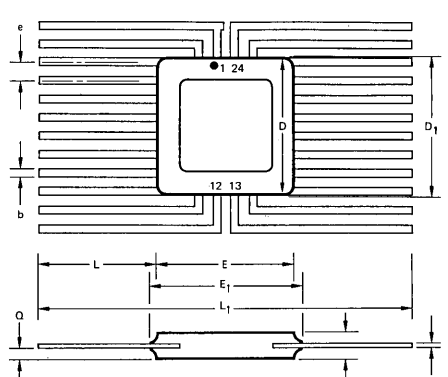
F-24-1



F-24-2



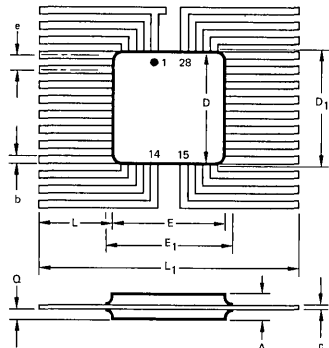
F-24-3



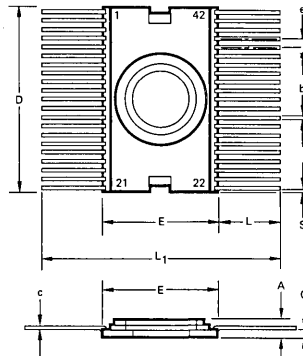
PACKAGE OUTLINES (Cont.)

FLAT PACKAGES (Cont.)

F-28-1



F-42-1



| AMD Pkg. | F-10-1 | | F-10-2 | | F-14-1 | | F-14-2 | | F-16-1 | | F-16-2 | | F-20-1 | | F-22-1 | |
|----------------------|---------|------|----------------|------|---------|------|----------------|------|---------|------|----------------|------|---------|------|----------------|------|
| Common NAME | CERPACK | | METAL FLAT PAK | | CERPACK | | METAL FLAT PAK | | CERPACK | | METAL FLAT PAK | | CERPACK | | METAL FLAT PAK | |
| 38510 Appendix C | F-4 | | F-4 | | .F-1 | | F-1 | | F-5 | | - | | - | | - | |
| Parameters | Min. | Max. | Min. | Max. | Min. | Max. | Min. | Max. | Min. | Max. | Min. | Max. | Min. | Max. | Min. | Max. |
| A | .045 | .080 | .045 | .080 | .045 | .080 | .045 | .085 | .045 | .085 | .045 | .085 | .045 | .085 | .045 | .090 |
| b | .015 | .019 | .012 | .019 | .015 | .019 | .012 | .019 | .015 | .019 | .015 | .019 | .015 | .019 | .015 | .019 |
| c | .004 | .006 | .003 | .006 | .004 | .006 | .003 | .006 | .004 | .006 | .003 | .006 | .004 | .006 | .003 | .006 |
| D | .230 | .255 | .235 | .275 | .230 | .255 | .230 | .270 | .370 | .425 | .370 | .400 | .490 | .520 | .380 | .420 |
| D ₁ | | | | .275 | | | | .280 | | | | .410 | | | | .440 |
| E | .240 | .260 | .240 | .260 | .240 | .260 | .240 | .260 | .245 | .285 | .245 | .285 | .245 | .285 | .380 | .420 |
| E ₁ | | .275 | | .280 | | .275 | | .280 | | .290 | | .305 | | .290 | | .440 |
| e | .045 | .055 | .045 | .055 | .045 | .055 | .045 | .055 | .045 | .055 | .045 | .055 | .045 | .055 | .045 | .055 |
| L | .300 | .370 | .300 | .370 | .300 | .370 | .300 | .370 | .300 | .370 | .300 | .370 | .300 | .370 | .250 | .320 |
| L ₁ | .920 | .980 | .920 | .980 | .920 | .980 | .920 | .980 | .920 | .980 | .920 | .980 | .920 | .980 | .920 | .980 |
| Q | .010 | .040 | .010 | .040 | .010 | .040 | .010 | .040 | .020 | .040 | .010 | .040 | .020 | .040 | .010 | .040 |
| S ₁ | .005 | | .005 | | .005 | | .005 | | .005 | | .005 | | .005 | | | |
| Standard Lead Finish | b | | c | | b | | c | | b | | c | | b | | c | |

| AMD Pkg. | F-24-1 | | F-24-2 | | F-24-3 | | F-28-1 | | F-42-1 | |
|----------------------|---------|------|----------------|------|----------------|------|----------------|-------|------------------|-------|
| Common Name | CERPACK | | METAL FLAT PAK | | METAL FLAT PAK | | METAL FLAT PAK | | CERAMIC FLAT PAK | |
| 38510 Appendix C | F-6 | | F-8 | | - | | - | | - | |
| Parameters | Min. | Max. | Min. | Max. | Min. | Max. | Min. | Max. | Min. | Max. |
| A | .050 | .090 | .045 | .090 | .045 | .090 | .045 | .080 | .070 | .115 |
| b | .015 | .019 | .015 | .019 | .015 | .019 | .015 | .019 | .017 | .023 |
| c | .004 | .006 | .003 | .006 | .003 | .006 | .003 | .006 | .006 | .012 |
| D | .580 | .620 | .360 | .410 | .380 | .420 | .360 | .410 | 1.030 | 1.090 |
| D ₁ | | | | .420 | | .440 | | .410 | | 1.090 |
| E | .360 | .385 | .245 | .285 | .380 | .420 | .360 | .410 | .620 | .660 |
| E ₁ | | .410 | | .305 | | .440 | | .410 | | .660 |
| e | .045 | .055 | .045 | .055 | .045 | .055 | .045 | .055 | .045 | .055 |
| L | .265 | .320 | .300 | .370 | .250 | .320 | .270 | .320 | .320 | .370 |
| L ₁ | .920 | .980 | .920 | .980 | .920 | .980 | .955 | 1.000 | 1.300 | 1.370 |
| Q | .020 | .040 | .010 | .040 | .010 | .040 | .010 | .040 | .020 | .060 |
| S ₁ | .005 | | .005 | | 0 | | 0 | | .005 | |
| Standard Lead Finish | b | | c | | c | | c | | c | |

Notes: 1. Lead finish b is tin plate. Finish c is gold plate.
 2. Dimensions E₁ and D₁ allow for off-center lid, meniscus, and glass overrun.

SALES OFFICES AND REPRESENTATIVES

SOUTHWEST AREA
Advanced Micro Devices
 3645 Whittie Boulevard
 Suite 401
 Beverly Hills, California 90212
 Tel: (313) 278-9700
 (313) 278-9701
 TWX: 910-495-2143
 FAX: 910-495-2143

Advanced Micro Devices
 1414 West Broadway Road
 Suite 239
 Tempe, Arizona 85282
 Tel: (602) 244-9511
 TELEX: 866-025
 TWX: 910-951-4216

Advanced Micro Devices
 1201 Dove Street
 Suite 520
 Newport Beach, CA 92660
 Tel: (714) 752-6262

NORTHWEST AREA
Advanced Micro Devices
 10050 Ne Wolfe Road
 Bldg. 520
 Suite 230
 Cupertino, CA 95014
 Tel: (408) 945-2200
 TWX: 910-339-8280

Advanced Micro Devices
 7100 Broadway
 Bldg. 8, Penthouse
 Suite C
 Denver, CO 80221
 Tel: (303) 421-3307
 TWX: 910-931-2562

Advanced Micro Devices
 6443 S.W. Beaverton Highway
 Commerce Center
 Portland, OR 97221
 Tel: (503) 282-2566
 TWX: 910-464-4792

MID-AMERICA AREA
Advanced Micro Devices
 2525 Butterfield Road
 Suite 225N
 Oak Brook, Illinois 60521
 Tel: (312) 329-9600
 (312) 323-9601
 TWX: 910-333-0649

Advanced Micro Devices
 8009 34th Ave. S.
 Bloomington, Minnesota 55420
 Tel: (612) 854-6500
 (612) 854-6520

Advanced Micro Devices
 13771 No. Central Expwy.
 Suite 1008
 Dallas, Texas 75243
 Tel: (214) 234-5886
 TWX: 910-867-4795

Advanced Micro Devices
 Commerce Center
 1631 N.W. Professional Plaza
 Suite 204
 Columbus, OH 43220
 Tel: (614) 457-7766

Advanced Micro Devices
 33150 Schoolcraft
 Livonia, Michigan 48150
 Tel: (313) 425-3460
 TWX: 810-242-8777

EASTERN AREA
Advanced Micro Devices
 89 Powerhouse Road
 Suite 303
 Roslyn Heights, N.Y. 11577
 Tel: (516) 484-4696
 (516) 484-4991
 TWX: 910-323-0649

Advanced Micro Devices
 6100 Baltimore National Pike
 Baltimore, MD 21228
 Tel: (301) 744-8233

Advanced Micro Devices
 682 Newkirk Ave.
 E. Syracuse, N.Y. 13057
 Tel: (315) 437-7546
 TELEX: 93-7201

Advanced Micro Devices
 New Boston Park
 Woburn, Massachusetts 08091
 Tel: (617) 933-1234
 TWX: J69477

Advanced Micro Devices
 1001 N.W. 62nd Street
 Suite 200L
 Ft. Lauderdale, FL 33309
 Tel: (305) 771-6510
 TWX: 510-855-9490

**Advanced Micro Devices
 International Sales Offices**

International Sales Representatives and Distributors

BELGIUM
Advanced Micro Devices
 412, Avenue de Tervuren
 B.P. 9
 1150 Brussels, Belgium
 Tel: (02) 771 8993
 TELEX: 61028

FRANCE
Advanced Micro Devices, S.A.
 Silic 314-Immuable Eszen
 20 Rue Sarraute
 94588 Pungis Cedex, France
 Tel: (1) 686-91-88
 TELEX: 202053

AUSTRALIA
 A.J. Ferguson Pty. Ltd.
 44 Prospect Rd.
 Prospect, S. Australia 5082
 Tel: (81) 269-1244
 TELEX: 82365

R and Electronics
 Post Office Box 036
 Burwood 3125
 Australia
 Tel: (03) 2888232
 TXL: AA3328

R and D Electronics
 P.O. Box 57
 Crownes Nest NSW 2065
 Sydney, Australia
 Tel: 4395488
 TXL: (790) 25468

GERMANY
Cosmos Electronic GmbH
 Hegestrasse 16
 D-8000 Muench 83
 West Germany
 Tel: (089) 60268
 TELEX: 4322545

Cosmos Electronic GmbH
 Büro Bayern Nord
 4540 Neumarkt
 Kanalweg 33, West Germany
 Tel: (09161-9731)

EVB-Elektronik
 Gabelstr. 129
 D-4000 Dusseldorf
 West Germany
 Tel: (0211-84848)

EVB-Elektronik
 Oestli 129
 D-4000 Dusseldorf
 West Germany
 Tel: (0211-84848)

EVB-Elektronik
 In Der Mainwörth 9A
 D-3008 Burgdorf 1
 West Germany
 Tel: (05139-4570)

INDIA
Ramith Electronics
 541 Panchratna
 D-6000 Madras 83
 Anna Parmanand Marg
 Bombay 400004
 India
 Tel: 394214
 TELEX: 0113152

FEQU
 260 Sheridan Ave
 Palo Alto, CA 94306
 Tel: (355) 771-6510
 TELEX: 345-539

Sujata Sales and Exports Ltd.
 11-2 Bajaj Bhawan
 D-8000 Muenchen 90
 Munich, Germany
 Tel: 089-644555
 TELEX: 0-5245

AMERICAN COMPONENTS
 1601 Civic Center Drive
 Santa Clara, CA 95050
 CABLE: ELCOIMP
 TXL: 552073

IRELAND
ITT Electronic Services
 142 Phiborough Rd.
 Phiborough
 Dublin
 Ireland

ISRAEL
Talvian Electronics
 P.O. Box 2104
 9, Biltmore Street
 Tel Aviv, Israel
 Tel: 444572
 TELEX: VITKO 33400

JAPAN
Advanced Micro Devices
 14-3, Chomei-Nishi
 Shinjuku-Ku, Tokyo 160 Japan
 Tel: (03) 346-3317
 TWX: J69477

Dainichi Electronics
 Kinetsu-Takama Building
 38-3 Takama-Cho
 Narashi-Japan 630
 Tel: (66) 244-8233

NETHERLANDS
Advanced Micro Devices
 10050 Ne Wolfe Road
 Bldg. 520
 Suite 230
 Cupertino, CA 95014
 Tel: (408) 945-2200
 TWX: 910-339-8280

NETHERLANDS
Advanced Micro Devices
 10050 Ne Wolfe Road
 Bldg. 520
 Suite 230
 Cupertino, CA 95014
 Tel: (408) 945-2200
 TWX: 910-339-8280

GERMANY
Advanced Micro Devices
 Mikro Elektronik GmbH
 Herzog-Heinrich-Strasse 3
 D-8000 Muenchen 2
 West Germany
 Tel: Sammelr.: (0 89) 5395858
 TELEX: 0-623883

Advanced Micro Devices
 Mikro Elektronik GmbH
 Büro Norddeutschland
 Euenkurgstrasse 81 E
 D-2000 Hamburg 67
 West Germany
 Tel: 040-630505
 TELEX: 0-2174388

Advanced Micro Devices
 Mikro Elektronik GmbH
 Büro Südwestdeutschland
 Robert-Leicht-Strasse 120
 D-7000 Stuttgart-Vaihingen
 West Germany
 Tel: 0711-681061
 TELEX: 7-255680

NETHERLANDS
Advanced Micro Devices
 10050 Ne Wolfe Road
 Bldg. 520
 Suite 230
 Cupertino, CA 95014
 Tel: (408) 945-2200
 TWX: 910-339-8280

NETHERLANDS
Advanced Micro Devices
 10050 Ne Wolfe Road
 Bldg. 520
 Suite 230
 Cupertino, CA 95014
 Tel: (408) 945-2200
 TWX: 910-339-8280

HOLLAND
Advanced Micro Devices
 10050 Ne Wolfe Road
 Bldg. 520
 Suite 230
 Cupertino, CA 95014
 Tel: (408) 945-2200
 TWX: 910-339-8280

HOLLAND
Advanced Micro Devices
 10050 Ne Wolfe Road
 Bldg. 520
 Suite 230
 Cupertino, CA 95014
 Tel: (408) 945-2200
 TWX: 910-339-8280

NETHERLANDS
Advanced Micro Devices
 10050 Ne Wolfe Road
 Bldg. 520
 Suite 230
 Cupertino, CA 95014
 Tel: (408) 945-2200
 TWX: 910-339-8280

NETHERLANDS
Advanced Micro Devices
 10050 Ne Wolfe Road
 Bldg. 520
 Suite 230
 Cupertino, CA 95014
 Tel: (408) 945-2200
 TWX: 910-339-8280

NETHERLANDS
Advanced Micro Devices
 10050 Ne Wolfe Road
 Bldg. 520
 Suite 230
 Cupertino, CA 95014
 Tel: (408) 945-2200
 TWX: 910-339-8280

NETHERLANDS
Advanced Micro Devices
 10050 Ne Wolfe Road
 Bldg. 520
 Suite 230
 Cupertino, CA 95014
 Tel: (408) 945-2200
 TWX: 910-339-8280

NETHERLANDS
Advanced Micro Devices
 10050 Ne Wolfe Road
 Bldg. 520
 Suite 230
 Cupertino, CA 95014
 Tel: (408) 945-2200
 TWX: 910-339-8280

NETHERLANDS
Advanced Micro Devices
 10050 Ne Wolfe Road
 Bldg. 520
 Suite 230
 Cupertino, CA 95014
 Tel: (408) 945-2200
 TWX: 910-339-8280

NETHERLANDS
Advanced Micro Devices
 10050 Ne Wolfe Road
 Bldg. 520
 Suite 230
 Cupertino, CA 95014
 Tel: (408) 945-2200
 TWX: 910-339-8280

NETHERLANDS
Advanced Micro Devices
 10050 Ne Wolfe Road
 Bldg. 520
 Suite 230
 Cupertino, CA 95014
 Tel: (408) 945-2200
 TWX: 910-339-8280

NETHERLANDS
Advanced Micro Devices
 10050 Ne Wolfe Road
 Bldg. 520
 Suite 230
 Cupertino, CA 95014
 Tel: (408) 945-2200
 TWX: 910-339-8280

NETHERLANDS
Advanced Micro Devices
 10050 Ne Wolfe Road
 Bldg. 520
 Suite 230
 Cupertino, CA 95014
 Tel: (408) 945-2200
 TWX: 910-339-8280

NETHERLANDS
Advanced Micro Devices
 10050 Ne Wolfe Road
 Bldg. 520
 Suite 230
 Cupertino, CA 95014
 Tel: (408) 945-2200
 TWX: 910-339-8280

NETHERLANDS
Advanced Micro Devices
 10050 Ne Wolfe Road
 Bldg. 520
 Suite 230
 Cupertino, CA 95014
 Tel: (408) 945-2200
 TWX: 910-339-8280

NETHERLANDS
Advanced Micro Devices
 10050 Ne Wolfe Road
 Bldg. 520
 Suite 230
 Cupertino, CA 95014
 Tel: (408) 945-2200
 TWX: 910-339-8280

NETHERLANDS
Advanced Micro Devices
 10050 Ne Wolfe Road
 Bldg. 520
 Suite 230
 Cupertino, CA 95014
 Tel: (408) 945-2200
 TWX: 910-339-8280

NETHERLANDS
Advanced Micro Devices
 10050 Ne Wolfe Road
 Bldg. 520
 Suite 230
 Cupertino, CA 95014
 Tel: (408) 945-2200
 TWX: 910-339-8280

NETHERLANDS
Advanced Micro Devices
 10050 Ne Wolfe Road
 Bldg. 520
 Suite 230
 Cupertino, CA 95014
 Tel: (408) 945-2200
 TWX: 910-339-8280

NETHERLANDS
Advanced Micro Devices
 10050 Ne Wolfe Road
 Bldg. 520
 Suite 230
 Cupertino, CA 95014
 Tel: (408) 945-2200
 TWX: 910-339-8280

NETHERLANDS
Advanced Micro Devices
 10050 Ne Wolfe Road
 Bldg. 520
 Suite 230
 Cupertino, CA 95014
 Tel: (408) 945-2200
 TWX: 910-339-8280

NETHERLANDS
Advanced Micro Devices
 10050 Ne Wolfe Road
 Bldg. 520
 Suite 230
 Cupertino, CA 95014
 Tel: (408) 945-2200
 TWX: 910-339-8280

NETHERLANDS
Advanced Micro Devices
 10050 Ne Wolfe Road
 Bldg. 520
 Suite 230
 Cupertino, CA 95014
 Tel: (408) 945-2200
 TWX: 910-339-8280

NETHERLANDS
Advanced Micro Devices
 10050 Ne Wolfe Road
 Bldg. 520
 Suite 230
 Cupertino, CA 95014
 Tel: (408) 945-2200
 TWX: 910-339-8280

NETHERLANDS
Advanced Micro Devices
 10050 Ne Wolfe Road
 Bldg. 520
 Suite 230
 Cupertino, CA 95014
 Tel: (408) 945-2200
 TWX: 910-339-8280

NETHERLANDS
Advanced Micro Devices
 10050 Ne Wolfe Road
 Bldg. 520
 Suite 230
 Cupertino, CA 95014
 Tel: (408) 945-2200
 TWX: 910-339-8280

NETHERLANDS
Advanced Micro Devices
 10050 Ne Wolfe Road
 Bldg. 520
 Suite 230
 Cupertino, CA 95014
 Tel: (408) 945-2200
 TWX: 910-339-8280

NETHERLANDS
Advanced Micro Devices
 10050 Ne Wolfe Road
 Bldg. 520
 Suite 230
 Cupertino, CA 95014
 Tel: (408) 945-2200
 TWX: 910-339-8280

NETHERLANDS
Advanced Micro Devices
 10050 Ne Wolfe Road
 Bldg. 520
 Suite 230
 Cupertino, CA 95014
 Tel: (408) 945-2200
 TWX: 910-339-8280

NETHERLANDS
Advanced Micro Devices
 10050 Ne Wolfe Road
 Bldg. 520
 Suite 230
 Cupertino, CA 95014
 Tel: (408) 945-2200
 TWX: 910-339-8280

NETHERLANDS
Advanced Micro Devices
 10050 Ne Wolfe Road
 Bldg. 520
 Suite 230
 Cupertino, CA 95014
 Tel: (408) 945-2200
 TWX: 910-339-8280

NETHERLANDS
Advanced Micro Devices
 10050 Ne Wolfe Road
 Bldg. 520
 Suite 230
 Cupertino, CA 95014
 Tel: (408) 945-2200
 TWX: 910-339-8280

NETHERLANDS
Advanced Micro Devices
 10050 Ne Wolfe Road
 Bldg. 520
 Suite 230
 Cupertino, CA 95014
 Tel: (408) 945-2200
 TWX: 910-339-8280

NETHERLANDS
Advanced Micro Devices
 10050 Ne Wolfe Road
 Bldg. 520
 Suite 230
 Cupertino, CA 95014
 Tel: (408) 945-2200
 TWX: 910-339-8280

NETHERLANDS
Advanced Micro Devices
 10050 Ne Wolfe Road
 Bldg. 520
 Suite 230
 Cupertino, CA 95014
 Tel: (408) 945-2200
 TWX: 910-339-8280

NETHERLANDS
Advanced Micro Devices
 10050 Ne Wolfe Road
 Bldg. 520
 Suite 230
 Cupertino, CA 95014
 Tel: (408) 945-2200
 TWX: 910-339-8280

NETHERLANDS
Advanced Micro Devices
 10050 Ne Wolfe Road
 Bldg. 520
 Suite 230
 Cupertino, CA 95014
 Tel: (408) 945-2200
 TWX: 910-339-8280

NETHERLANDS
Advanced Micro Devices
 10050 Ne Wolfe Road
 Bldg. 520
 Suite 230
 Cupertino, CA 95014
 Tel: (408) 945-2200
 TWX: 910-339-8280

NETHERLANDS
Advanced Micro Devices
 10050 Ne Wolfe Road
 Bldg. 520
 Suite 230
 Cupertino, CA 95014
 Tel: (408) 945-2200
 TWX: 910-339-8280

NETHERLANDS
Advanced Micro Devices
 10050 Ne Wolfe Road
 Bldg. 520
 Suite 230
 Cupertino, CA 95014
 Tel: (408) 945-2200
 TWX: 910-339-8280

NETHERLANDS
Advanced Micro Devices
 10050 Ne Wolfe Road
 Bldg. 520
 Suite 230
 Cupertino, CA 95014
 Tel: (408) 945-2200
 TWX: 910-339-8280

NETHERLANDS
Advanced Micro Devices
 10050 Ne Wolfe Road
 Bldg. 520
 Suite 230
 Cupertino, CA 95014
 Tel: (408) 945-2200
 TWX: 910-339-8280

NETHERLANDS
Advanced Micro Devices
 10050 Ne Wolfe Road
 Bldg. 520
 Suite 230
 Cupertino, CA 95014
 Tel: (408) 945-2200
 TWX: 910-339-8280

NETHERLANDS
Advanced Micro Devices
 10050 Ne Wolfe Road
 Bldg. 520
 Suite 230
 Cupertino, CA 95014
 Tel: (408) 945-2200
 TWX: 910-339-8280

NETHERLANDS
Advanced Micro Devices
 10050 Ne Wolfe Road
 Bldg. 520
 Suite 230
 Cupertino, CA 95014
 Tel: (408) 945-2200
 TWX: 910-339-8280

NETHERLANDS
Advanced Micro Devices
 10050 Ne Wolfe Road
 Bldg. 520
 Suite 230
 Cupertino, CA 95014
 Tel: (408) 945-2200
 TWX: 910-339-8280

NETHERLANDS
Advanced Micro Devices
 10050 Ne Wolfe Road
 Bldg. 520
 Suite 230
 Cupertino, CA 95014
 Tel: (408) 945-2200
 TWX: 910-339-8280

NETHERLANDS
Advanced Micro Devices
 10050 Ne Wolfe Road
 Bldg. 520
 Suite 230
 Cupertino, CA 95014
 Tel: (408) 945-2200
 TWX: 910-339-8280

NETHERLANDS
Advanced Micro Devices
 10050 Ne Wolfe Road
 Bldg. 520
 Suite 230
 Cupertino, CA 95014
 Tel: (408) 945-2200
 TWX: 910-339-8280

NETHERLANDS
Advanced Micro Devices
 10050 Ne Wolfe Road
 Bldg. 520
 Suite 230
 Cupertino, CA 95014
 Tel: (408) 945-2200
 TWX: 910-339-8280

NETHERLANDS
Advanced Micro Devices
 10050 Ne Wolfe Road
 Bldg. 520
 Suite 230
 Cupertino, CA 95014
 Tel: (408) 945-2200
 TWX: 910-339-8280

NETHERLANDS
Advanced Micro Devices
 10050 Ne Wolfe Road
 Bldg. 520
 Suite 230
 Cupertino, CA 95014
 Tel: (408) 945-2200
 TWX: 910-339-8280

NETHERLANDS
Advanced Micro Devices
 10050 Ne Wolfe Road
 Bldg. 520
 Suite 230
 Cupertino, CA 95014
 Tel: (408) 945-2200
 TWX: 910-339-8280

NETHERLANDS
Advanced Micro Devices
 10050 Ne Wolfe Road
 Bldg. 520
 Suite 230
 Cupertino, CA 95014
 Tel: (408) 945-2200
 TWX: 910-339-8280

NETHERLANDS
Advanced Micro Devices
 10050 Ne Wolfe Road
 Bldg. 520
 Suite 230
 Cupertino, CA 95014
 Tel: (408) 945-2200
 TWX: 910-339-8280

NETHERLANDS
Advanced Micro Devices
 10050 Ne Wolfe Road
 Bldg. 520
 Suite 230
 Cupertino, CA 95014
 Tel: (408) 945-2200
 TWX: 910-339-8280

NETHERLANDS
Advanced Micro Devices
 10050 Ne Wolfe Road
 Bldg. 520
 Suite 230
 Cupertino, CA 95014
 Tel: (408) 945-2200
 TWX: 910-339-8280

NETHERLANDS
Advanced Micro Devices
 10050 Ne Wolfe Road
 Bldg. 520
 Suite 230
 Cupertino, CA 95014
 Tel: (408) 945-2200
 TWX: 910-339-8280

NETHERLANDS
Advanced Micro Devices
 10050 Ne Wolfe Road
 Bldg. 520
 Suite 230
 Cupertino, CA 95014
 Tel: (408) 945-2200
 TWX: 910-339-8280

NETHERLANDS
Advanced Micro Devices
 10050 Ne Wolfe Road
 Bldg. 520
 Suite 230
 Cupertino, CA 95014
 Tel: (408) 945-2200
 TWX: 910-339-8280

NETHERLANDS
Advanced Micro Devices
 10050 Ne Wolfe Road
 Bldg. 520
 Suite 230
 Cupertino, CA 95014
 Tel: (408) 945-2200
 TWX: 910-339-8280

NETHERLANDS
Advanced Micro Devices
 10050 Ne Wolfe Road
 Bldg. 520
 Suite 230
 Cupertino, CA 95014
 Tel: (408) 945-2200
 TWX: 910-339-8280

NETHERLANDS
Advanced Micro Devices
 10050 Ne Wolfe Road
 Bldg. 520
 Suite 230
 Cupertino, CA 95014
 Tel: (408) 945-2200
 TWX: 910-339-8280

NETHERLANDS
Advanced Micro Devices
 10050 Ne Wolfe Road
 Bldg. 520
 Suite 230
 Cupertino, CA 95014
 Tel: (408) 945-2200
 TWX: 910-339-8280

NETHERLANDS
Advanced Micro Devices
 10050 Ne Wolfe Road
 Bldg. 520
 Suite 230
 Cupertino, CA 95014
 Tel: (408) 945-2200

U.S. AND CANADIAN STOCKING DISTRIBUTORS

ALABAMA

Hamilton/Avnet Electronics
805 Oster Dr. N.W.
Huntsville, Alabama 35805
Tel: (205) 533-1170

Hall-Mark Electronics
4739 Commercial Drive
Huntsville, Alabama 35805
Tel: (205) 837-8700
TWX: 810-726-2187

ARIZONA

Liberty Electronics
8155 North 24th Ave.
Phoenix, Arizona 85021
Tel: (602) 249-2232

Hamilton/Avnet Electronics
2616 S. 21st Street
Phoenix, Arizona 85034
Tel: (602) 275-7851
TWX: 910-951-1535

CALIFORNIA

Avnet Electronics
350 McCormick Avenue
Irvine Industrial Complex
Costa Mesa, California 92626
Tel: (714) 754-6084
TWX: 910-595-1928

Bell Industries
1161 N. Fair Oaks Avenue
Sunnyvale, California 94086
Tel: (408) 734-8570
TWX: 910-339-9378

ELMAR ELECTRONICS

2288 Charleston Road
Mountain View, California 94042
Tel: (415) 961-3611
TWX: 910-379-6437

Hamilton Electro Sales
0912 W. Washington Blvd.
Culver City, California 90230
Tel: (213) 558-2100
(714) 522-8220
TWX: 910-340-5364
910-340-7073
TELEX: 67-36-92

Hamilton/Avnet Electronics
575 East Middlefield Road
Mountain View, California 94040
Tel: (415) 961-7000
TWX: 910-379-6486

Hamilton/Avnet Electronics
8917 Complex Drive
San Diego, California 92123
Tel: (714) 279-2421
TELEX: 69-54-15

Liberty Electronics
8248 Mercury Court
San Diego, CA 92111
Tel: (714) 585-9171
TWX: 910-335-1590

Schweber Electronics
17811 Gillette
Irvine, California 92714
Tel: (714) 556-3880
(213) 924-5594
TWX: 910-595-1720

Liberty Electronics
124 Maryland Avenue
El Segundo, CA 90545
Tel: (213) 322-8100
TWX: 910-348-7140
910-348-7111

CANADA

Hamilton/Avnet Electronics
2670 Paulus
St. Laurent, Quebec, Canada H4S1G2
Tel: (514) 331-6443
TWX: 610-421-3731

Hamilton/Avnet Electronics
6291-16 Dorman Road
Mississauga, Ontario, Canada L4V1H2
Tel: (416) 677-7432
TWX: 610-492-8867

Hamilton/Avnet Electronics
1735 Courtwood Crescent
Ottawa, Ontario, Canada K2C3J2
Tel: (613) 225-1700
TWX: 610-562-1906

RAE Electronics
1629 Main Street
Vancouver, British Columbia,
Canada V6A2W5
Tel: (604) 687-2621
TELEX: 0484550

Future Electronics
5647 Fernier Street
Montreal, Quebec, Canada H4P2K5
Tel: (514) 735-5775

Future Electronics
44 Fasken Drive
Unit 24
Rexdale, Ontario, Canada
Tel: (416) 677-7820

Future Electronics
130 Albert Street
Ottawa, Ontario, Canada K1P5E4
Tel: (613) 232-7757

COLORADO

Elmar Electronics
6777 E. 50th Avenue
Commerce City, Colorado 80022
Tel: (303) 287-3611
TWX: 910-936-0770

Hamilton/Avnet Electronics
5521 N. Broadway
Denver, Colorado 80216
Tel: (303) 534-1212
TWX: 910-931-0510

Century Electronics
8155 W. 48th Avenue
Westridge, Colorado 80033
Tel: (303) 424-1985
TWX: 910-938-0393

CONNECTICUT

Hamilton/Avnet Electronics
643 Danbury Road
Georgetown, Connecticut 06829
Tel: (203) 762-0361

Schweber Electronics
Finance Drive
Commerce Industrial Park
Danbury, Connecticut 06810
Tel: (203) 792-3500

Arrow Electronics
295 Treadwell Street
Hamden, CT 06514
Tel: (203) 248-3801
TWX: 710-465-6780

Florida
Arrow Electronics
115 Palm Road N.W.
Suite 10
Palm Bay, Florida 32905
Tel: (305) 725-1480

Arrow Electronics
1001 N.W. 62nd St., Suite 402
Ft. Lauderdale, Florida 33300
Tel: (305) 776-7790

Hamilton/Avnet Electronics
6800 N.W. 20th Ave.
Ft. Lauderdale, FL 33309
Tel: (305) 971-2900

Schweber Electronics
2830 North 28 Terrace
Hollywood, Florida 33020
Tel: (305) 927-0511
TWX: 510-954-0304

GEORGIA

Arrow Electronics
3408 Oak Cliff Road
Doraville, GA 30340
Tel: (404) 455-4054
TWX: 810-757-4213

Hamilton/Avnet Electronics
6700 1-85
Suite 25
Norcross, Georgia 30071
Tel: (404) 448-0800

Schweber Electronics
4125 Pleasantonia Road
Atlanta, Georgia 30340
Tel: (404) 449-9170

ILLINOIS
Arrow Electronics
492 Lunt Avenue
Schaumburg, Illinois 60193
Tel: (312) 693-9420

Hamilton/Avnet Electronics
3901 North 25th Avenue
Schiller Park, Illinois 60176
Tel: (312) 678-6310
TWX: 910-227-0060

Schweber Electronics
1275 Brummel Avenue
Elk Grove Village, Illinois 60007
Tel: (312) 593-2740
TWX: 910-222-3453

KANSAS

Hall-Mark Electronics
11870 West 91st Street
Congleton Industrial Park
Shawnee Mission, Kansas 66214
Tel: (913) 886-4747
TWX: 910-749-6620

Hamilton/Avnet Electronics
37 Lenexa Industrial Center
9900 Pflumm Road
Lenexa, Kansas 66215
Tel: (913) 888-8900

MARYLAND

Arrow Electronics
4801 Benson Avenue
Baltimore, Maryland 21227
Tel: (301) 247-5200

Hall-Mark Electronics
665 Amberton Drive
Baltimore, Maryland 21227
Tel: (301) 796-9300
TWX: 710-862-1942

Hamilton/Avnet Electronics
7235 Standard Drive
Hanover, Maryland 21076
Tel: (301) 796-5000
TWX: 710-862-1861
TELEX: 8-79-68

Schweber Electronics
9218 Gaither Rd.
Gaithersburg, Maryland 20760
Tel: (301) 840-5900

MASSACHUSETTS

Arrow Electronics
96D Commerce Way
Woburn, Massachusetts 01801
Tel: (617) 933-8130

Hamilton/Avnet Electronics
100 East Commerce Way
Woburn, Massachusetts 01801
Tel: (617) 933-8020
TWX: 710-393-1201

Schweber Electronics
213 Third Avenue
Waltham, Massachusetts 02154
Tel: (617) 890-8484

MICHIGAN

Arrow Electronics
3921 Varsity Drive
Ann Arbor, Michigan 48104
Tel: (313) 971-8220
TWX: 810-223-6020

Hamilton/Avnet Electronics
12870 Farmington Road
Livonia, Michigan 48150
Tel: (313) 522-4700
TWX: 910-242-9775

Schweber Electronics
88 Executive Drive - Hoover Bldg.
Troy, Michigan 48064
Tel: (313) 583-9242

MINNESOTA

Arrow Electronics
9700 Newton Avenue South
Bloomington, Minnesota 55431
Tel: (612) 888-5522

Hall-Mark Electronics
3921 Penn Avenue South
Suite 10
Bloomington, Minnesota 55431
Tel: (612) 884-9056
TWX: 910-576-3187

Hamilton/Avnet Electronics
7883 Washington Avenue South
Edina, Minnesota 55435
Tel: (612) 941-3801

Schweber Electronics
7402 Washington Avenue South
Eden Prairie, Minnesota 55343
Tel: (612) 941-5280

MISSOURI

Hall-Mark Electronics
13789 Rider Trail
Earth City, Missouri 63045
Tel: (314) 291-5350
TWX: 910-780-0871

Hamilton/Avnet Electronics
364 Brookes Lane
Hazelwood, Missouri 63042
Tel: (314) 731-1144
TELEX: 44-23-48

NEW JERSEY

Arrow Electronics
Pleasant Valley Road
Moorestown, New Jersey 08057
Tel: (609) 235-1900

Arrow Electronics
285 Middle Ave.
Saddle Brook, NJ
Tel: (201) 797-5800
TWX: 710-989-2206

Hamilton/Avnet Electronics
130 Little Falls Road
Cedar Grove, New Jersey 07009
Tel: (201) 239-0800
TWX: 710-994-5787

Hamilton/Avnet Electronics
113 Gaither Drive
East Gate Industrial Park
Mt. Laurel, New Jersey 08057
Tel: (609) 234-2133

Schweber Electronics
43 Belmont Drive
Somerset, New Jersey 08873
Tel: (201) 469-6006
TWX: 710-460-4733

NEW MEXICO
Century Electronics
121 Elizabeth N.
Albuquerque, New Mexico 87123
Tel: (505) 292-2700
TWX: 910-989-0625

Hamilton/Avnet Electronics
2450 Baylor Drive S.E.
Albuquerque, New Mexico 87119
Tel: (505) 765-1500

NEW YORK
Arrow Electronics
900 Broad Hollow Road
Farmingdale, New York 11735
Tel: (516) 694-6800

Hamilton/Avnet Electronics
167 Clay Road
Rochester, New York 14623
Tel: (716) 442-7820

Hamilton/Avnet Electronics
70 State Street
Westbury, L.I., New York 11590
Tel: (516) 335-5800
TWX: 510-222-8237

Hamilton/Avnet Electronics
6500 Joy Road
E. Syracuse, New York 13057
Tel: (315) 437-2642
TWX: 710-541-0959

Schweber Electronics
2 Town Line Circle
Rochester, New York 14623
Tel: (716) 461-4000

Schweber Electronics
Jericho Turnpike
Westbury, New York 11590
Tel: (516) 334-7474
TWX: 510-222-9470
TWX: 510-222-3660

Summit Distributors, Inc.
916 Main Street
Buffalo, NY 14202
Tel: (716) 884-3450

NORTH CAROLINA
Arrow Electronics
1377-G South Park Drive
Kernersville, NC 27284
Tel: (919) 995-2039

Hall-Mark Electronics
1208 Front Street, Building K
Raleigh, North Carolina 27609
Tel: (919) 832-4465
TWX: 510-928-1831

Hamilton/Avnet Electronics
2803 Industrial Drive
Raleigh, NC 27609
Tel: (919) 829-8030

OHIO
Arrow Electronics
23500 Mercantile Road
Cleveland, Ohio 44122
Tel: (216) 464-2000
TWX: 810-427-9293

Arrow Electronics
3100 Plainfield Road
Kettering, Ohio 45432
Tel: (513) 253-9176
TWX: 810-459-1611

Hamilton/Avnet Electronics
118 Westpark Road
Dayton, Ohio 45459
Tel: (513) 433-0610
TWX: 810-450-2531

Hamilton/Avnet
761 Beta Drive, Suite E
Cleveland, Ohio 44143
Tel: (216) 461-1400

Schweber Electronics
23880 Commerce Park Pl
Beachwood, Ohio 44122
Tel: (216) 464-2970

Sheridan/Cincinnati
10 Knollcrest Drive
Cincinnati, Ohio 45222
Tel: (513) 761-5432
TWX: 810-461-2670

PENNSYLVANIA
Hall-Mark Electronics
458 Pike Road
Pike Industrial Park
Huntingdon Valley, PA 191
Tel: (215) 355-7500
TWX: 810-667-1750

Schweber Electronics
101 Rock Road
Horseshoe, Pennsylvania 19
Tel: (215) 441-0600

TEXAS
Hall-Mark Electronics
9333 Forest Lane
Dallas, Texas 75231
Tel: (214) 234-7300
TWX: 910-867-4721

Hall-Mark Electronics
8000 Westgate
Houston, Texas 77063
Tel: (713) 781-6100
TWX: 910-881-2711

Hamilton/Avnet Electronics
4445 Sigma Road
Dallas, Texas 75240
Tel: (214) 661-8661
TELEX: 73-05-11

Hamilton/Avnet Electronics
3939 Ann Arbor Street
P.O. Box 42802
Houston, Texas 77042
Tel: (713) 780-1771

Schweber Electronics
14177 Proton Road
Dallas, Texas 75240
Tel: (214) 661-5010
TWX: 910-860-5493

Schweber Electronics
7420 Harwin Drive
Houston, Texas 77036
Tel: (713) 784-3600

UTAH
Century Electronics
2258 South 2700 West
Salt Lake City, Utah 84119
Tel: (801) 972-6969
TWX: 910-925-5686

Hamilton/Avnet Electronics
1585 West 2100 South
Salt Lake City, Utah 84119
Tel: (801) 972-2800

WASHINGTON
Hamilton/Avnet Electronics
13407 Northrup Way
Bellevue, Washington 98005
Tel: (206) 746-8750
TWX: 910-443-2449

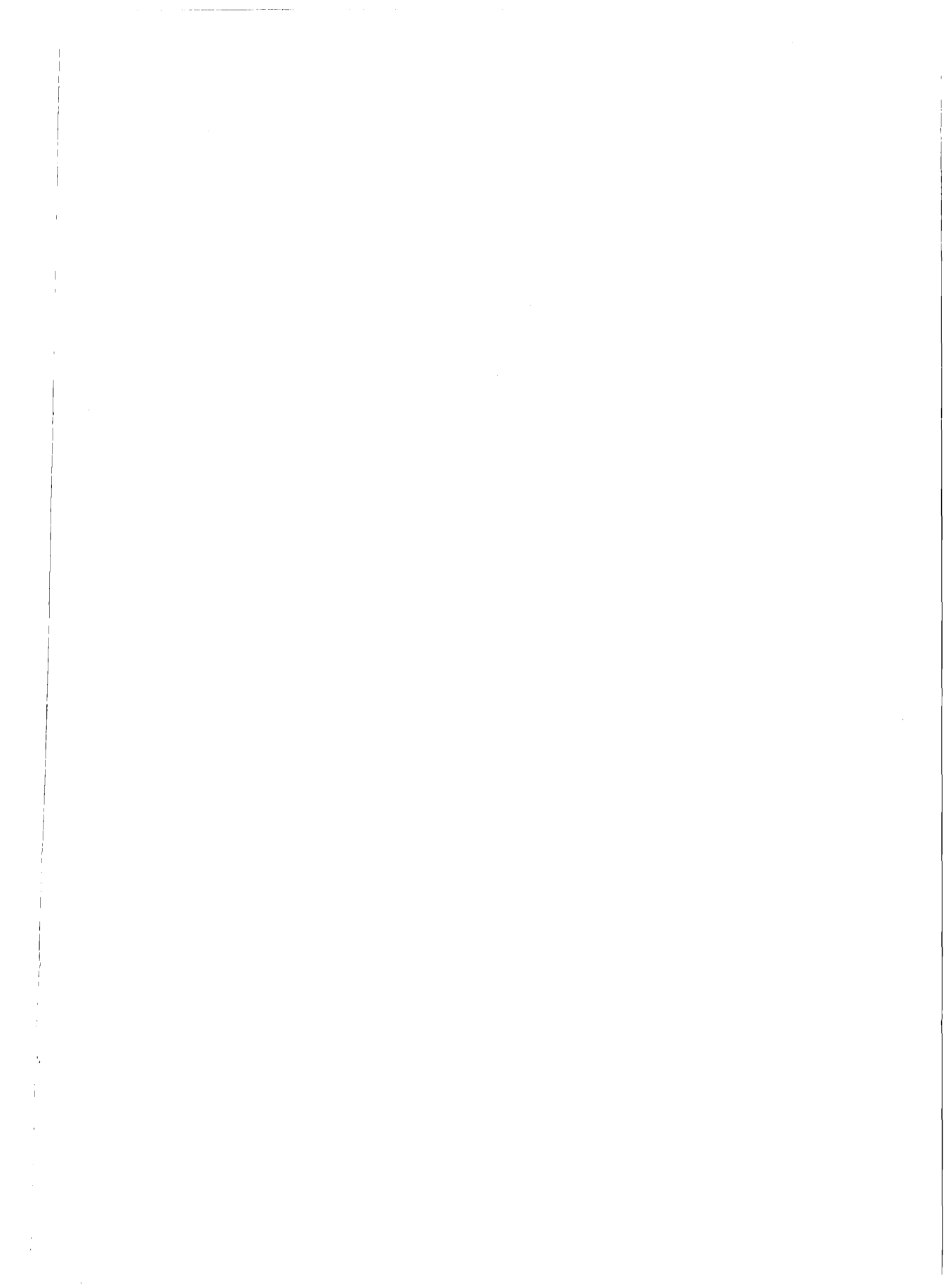
Liberty Electronics NW
1750 132nd Avenue N.E.
Bellevue, WA 98005
Tel: (206) 453-8300

WISCONSIN
Arrow Electronics
2925 South 160th St.
New Berlin, Wisconsin 53151
Tel: (414) 782-2801
TWX: 510-227-8390

Hamilton/Avnet Electronics
2975 Moorland Road
New Berlin, Wisconsin 53151
Tel: (414) 784-4510



**ADVANCED
MICRO
DEVICES, INC.**
901 Thompson Place
Sunnyvale
California 94086
(408) 732-2400
TWX: 910-339-9280
TELEX: 34-6306
TOLL FREE
(800) 538-8450





ADVA

DEVICES

901 Thompson

Sumi

California

(409) 732

TWX: 910-335

TELEX: 34

TOLL

(800) 538

