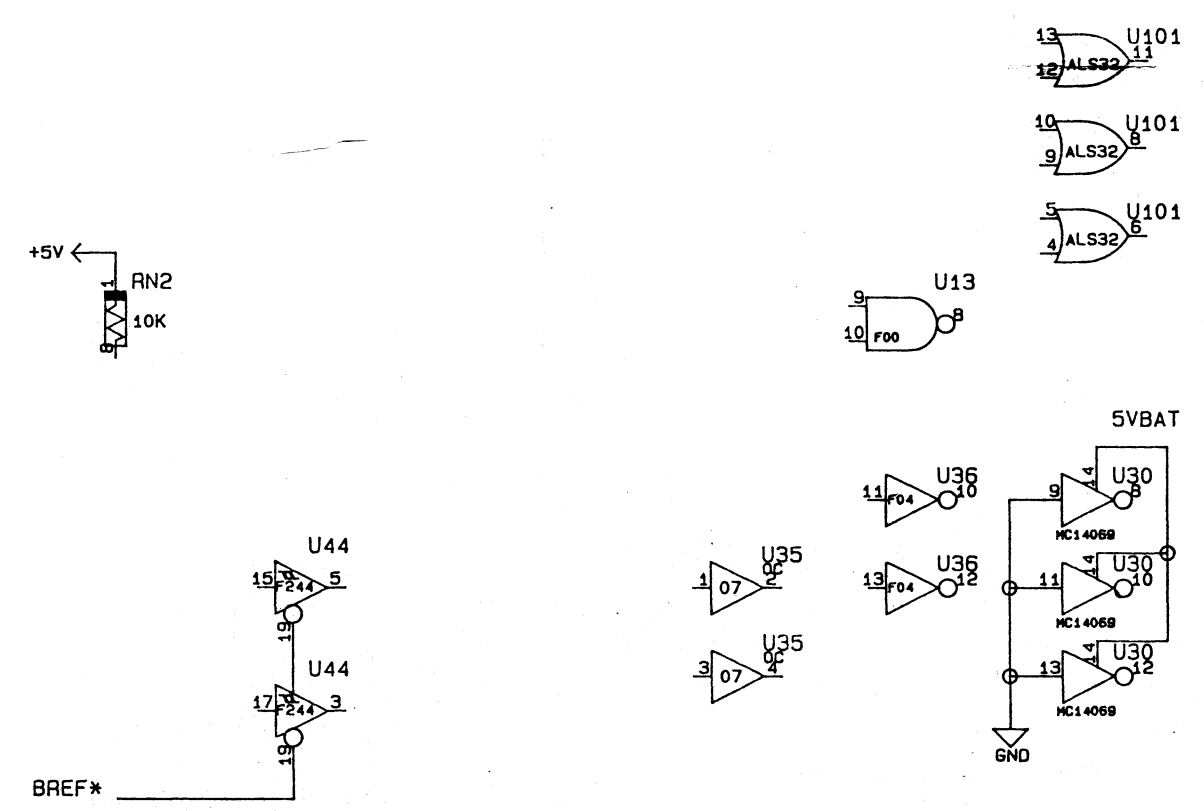
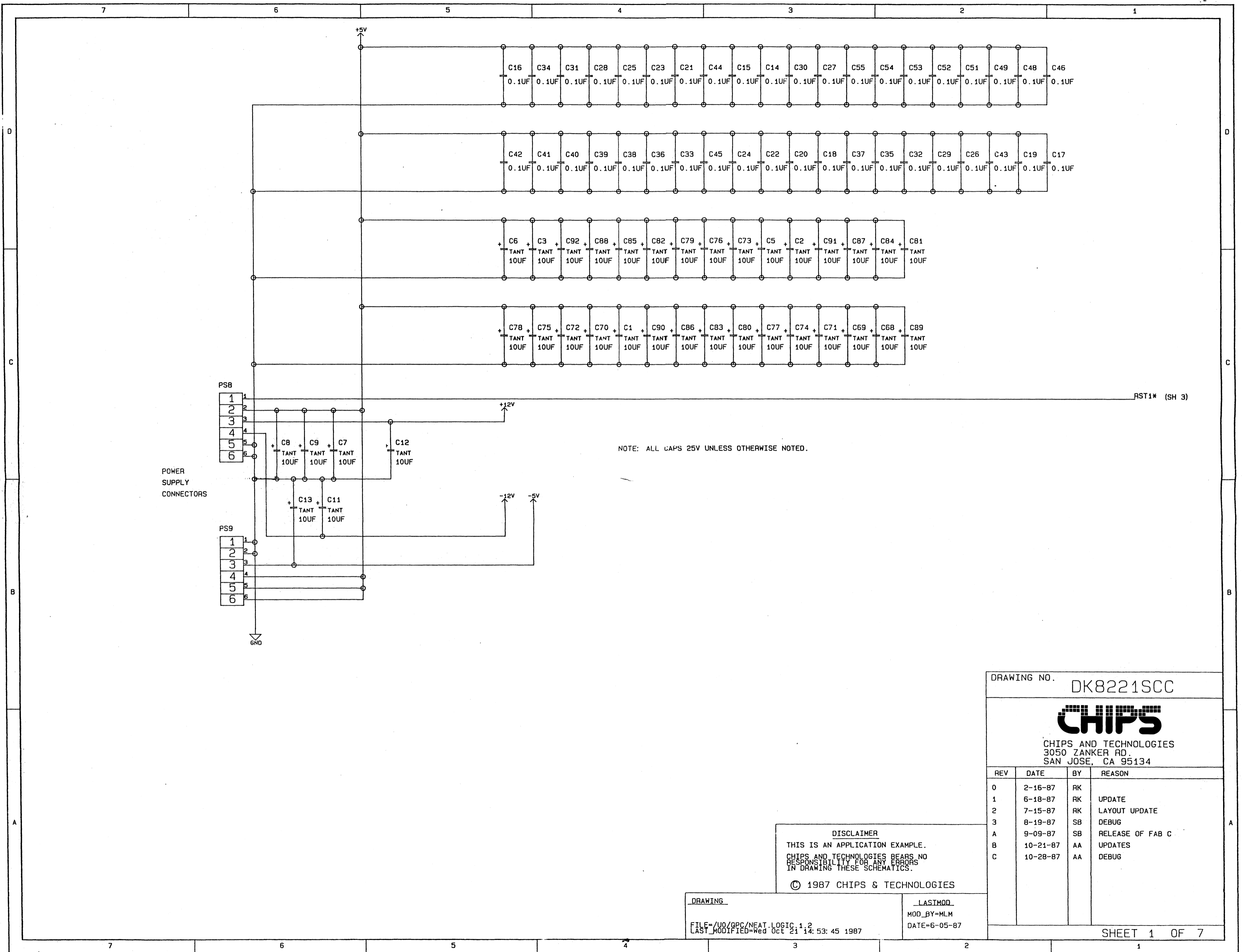


REVISIONS						
ZONE	SYM	DESCRIPTION	DATE	INCRP	CHECK	APPRV
	1	PROTOTYPE FOR CHIPS				
	2	ENG RELEASE PER ECO 2043				
	3	UPDATES PER ECO 2044	11/87	DHW		<i>[Signature]</i>



<u>DRAWING</u> TITLE=NEAT ABBREV=NEAT FILE=U270PC/NEAT.LOGIC,1,1 LAST_MODIFIED=Sat Nov 7 08:10:37 1987	<u>DEFINE</u> X_FIRST=0 X_STEP=SIZE	LASTMOD MOD BY=DHW MODATE=NOV-03-87	NEXT ASSEMBLY USED ON	APPROVALS DRAWN BY: MARK MEACHAM CHECKED BY: DES. ENG: MARK MEACHAM PROJ. ENG: MARK MEACHAM MFG. ENG: QUALITY:	DATE	SCHEMATIC: NEAT	SIZE C	DRAWING NUMBER 830203	REV 3
		CHIPS			SHEET 0 OF 7				



NOTE: ALL CAPS 25V UNLESS OTHERWISE NOTED.

RST1\* (SH 3)

POWER  
SUPPLY  
CONNECTORS

DRAWING NO. DK8221SCC



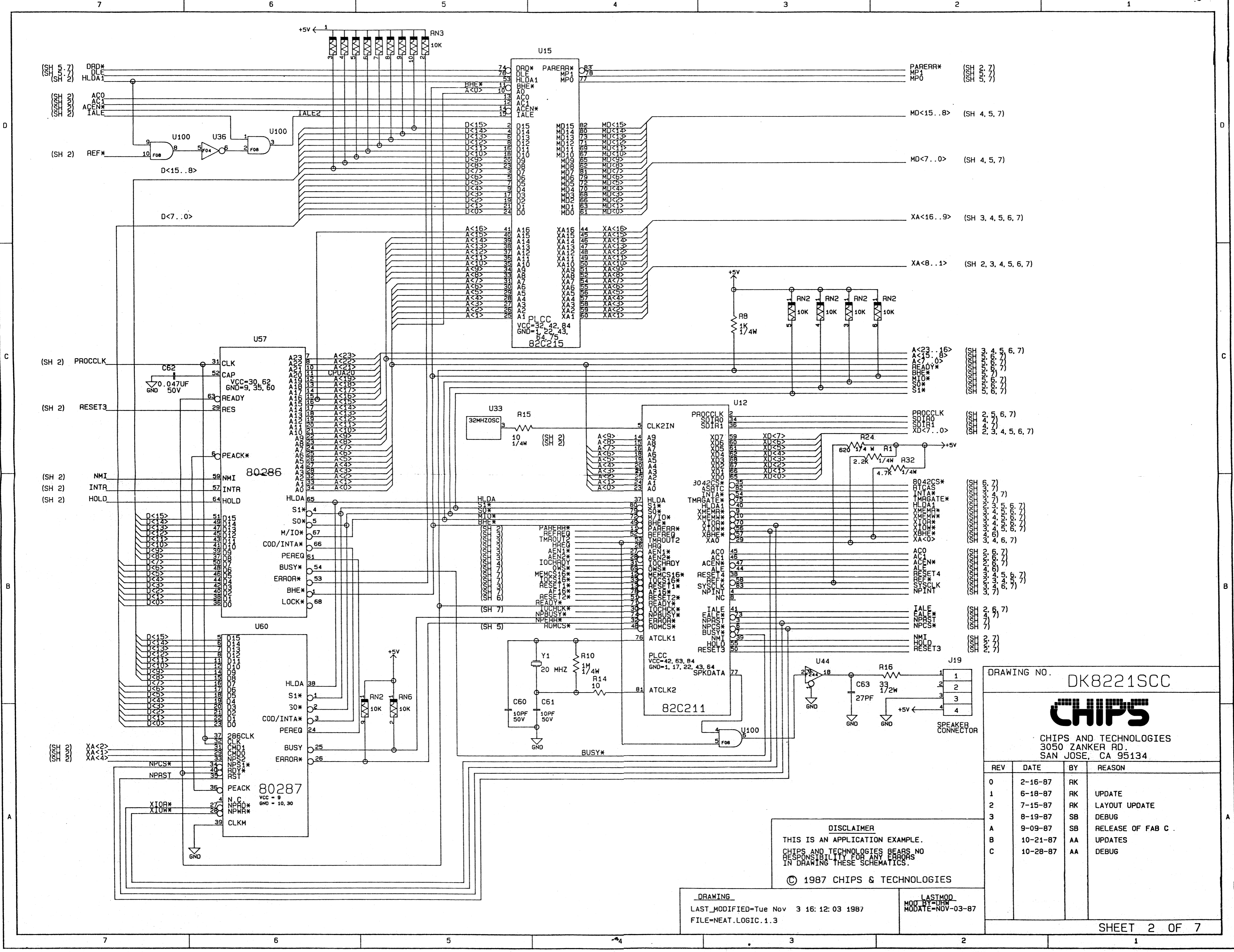
CHIPS AND TECHNOLOGIES  
3050 ZANKER RD.  
SAN JOSE, CA 95134

REV	DATE	BY	REASON
0	2-16-87	RK	
1	6-18-87	RK	UPDATE
2	7-15-87	RK	LAYOUT UPDATE
3	8-19-87	SB	DEBUG
A	9-09-87	SB	RELEASE OF FAB C
B	10-21-87	AA	UPDATES
C	10-28-87	AA	DEBUG

**DISCLAIMER**  
THIS IS AN APPLICATION EXAMPLE.  
CHIPS AND TECHNOLOGIES BEARS NO  
RESPONSIBILITY FOR ANY ERRORS  
IN DRAWING THESE SCHEMATICS.  
© 1987 CHIPS & TECHNOLOGIES

DRAWING: FILE=/UO/GPC/NEAT.LOGIC.1.2  
LAST\_MODIFIED=Wed Oct 21 14: 53: 45 1987

LASTMOD: MOD\_BY=MLM  
DATE=6-05-87



DRAWING NO. DK8221SCC



CHIPS AND TECHNOLOGIES  
3050 ZANKER RD.  
SAN JOSE, CA 95134

REV	DATE	BY	REASON
0	2-16-87	RK	
1	6-18-87	RK	UPDATE
2	7-15-87	RK	LAYOUT UPDATE
3	8-19-87	SB	DEBUG
A	9-09-87	SB	RELEASE OF FAB C
B	10-21-87	AA	UPDATES
C	10-28-87	AA	DEBUG

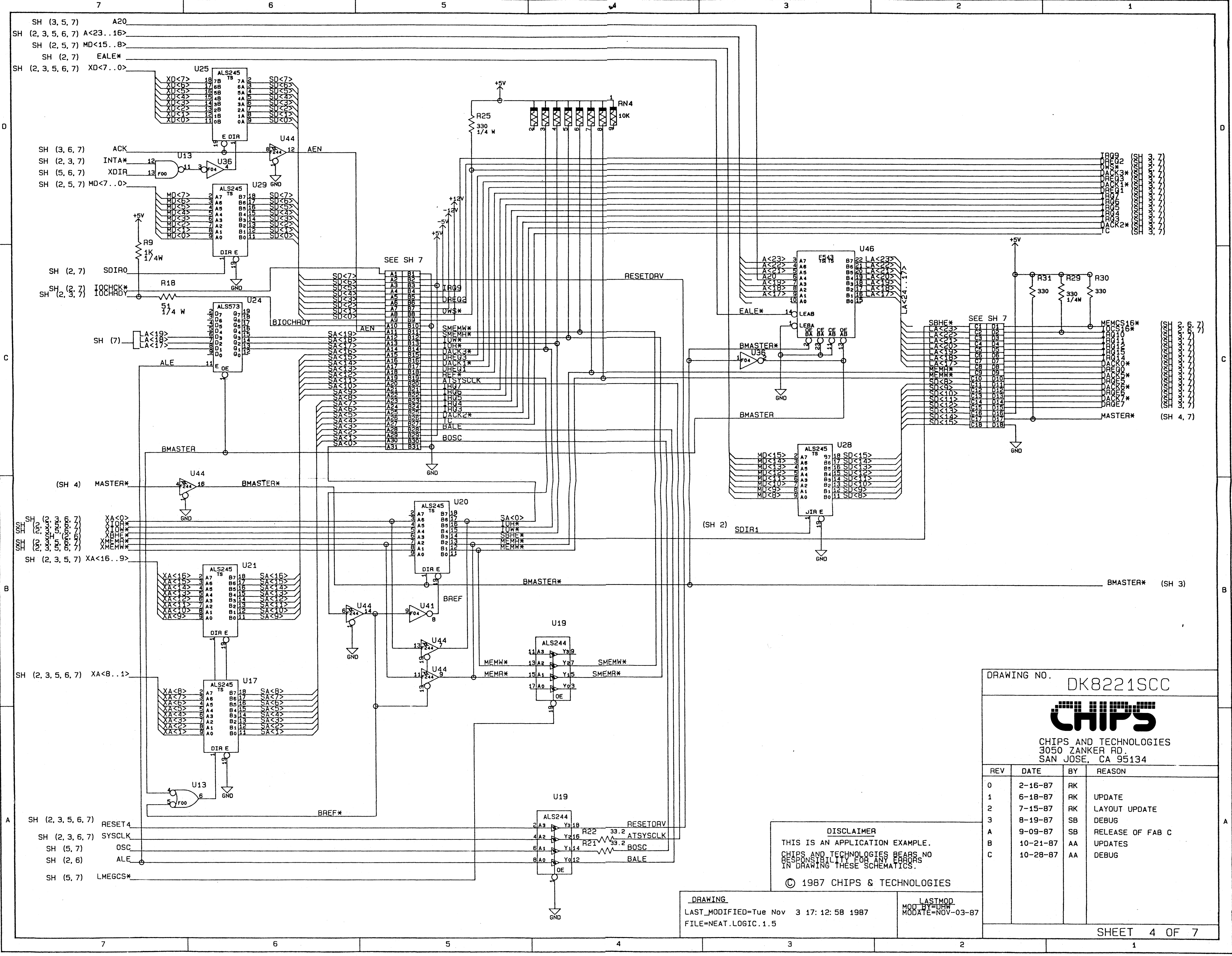
**DISCLAIMER**  
THIS IS AN APPLICATION EXAMPLE.  
CHIPS AND TECHNOLOGIES BEARS NO  
RESPONSIBILITY FOR ANY ERRORS  
IN DRAWING THESE SCHEMATICS.

© 1987 CHIPS & TECHNOLOGIES

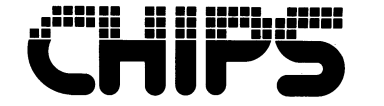
DRAWING  
LAST\_MODIFIED=Tue Nov 3 16:12:03 1987  
FILE=NEAT.LOGIC.1.3

LASTMOD  
MOD BY=UHW  
MOD DATE=NOV-03-87





DRAWING NO. DK8221SCC



CHIPS AND TECHNOLOGIES  
3050 ZANKER RD.  
SAN JOSE, CA 95134

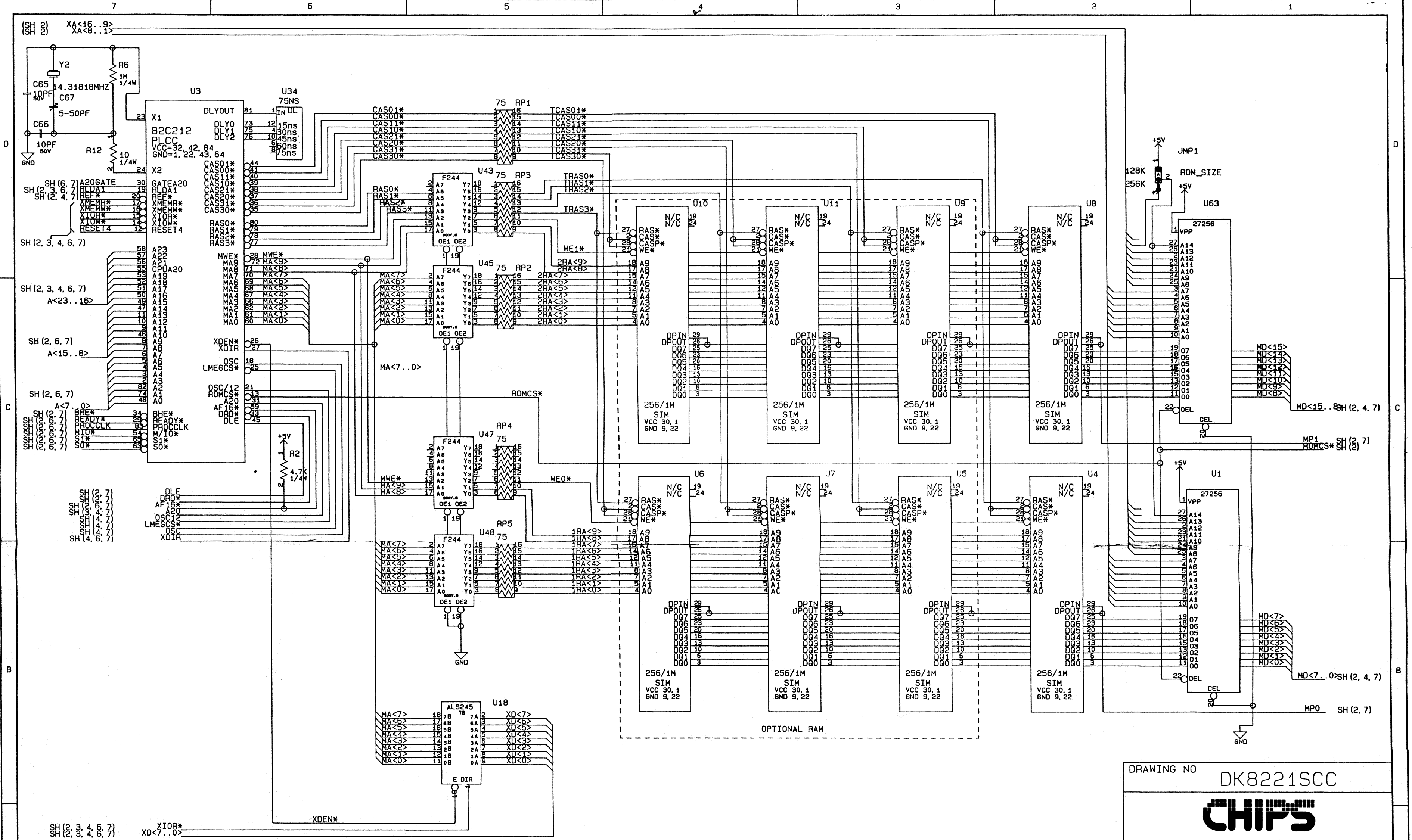
REV	DATE	BY	REASON
0	2-16-87	RK	
1	6-18-87	RK	UPDATE
2	7-15-87	RK	LAYOUT UPDATE
3	8-19-87	SB	DEBUG
A	9-09-87	SB	RELEASE OF FAB C
B	10-21-87	AA	UPDATES
C	10-28-87	AA	DEBUG

**DISCLAIMER**  
THIS IS AN APPLICATION EXAMPLE.  
CHIPS AND TECHNOLOGIES BEARS NO  
RESPONSIBILITY FOR ANY ERRORS  
IN DRAWING THESE SCHEMATICS.

© 1987 CHIPS & TECHNOLOGIES

**DRAWING**  
LAST\_MODIFIED= Tue Nov 3 17:12:58 1987  
FILE=NEAT.LOGIC.1.5

**LASTMOD**  
MOD BY=JRM  
MOD DATE=NOV-03-87



DRAWING NO DK8221SCC



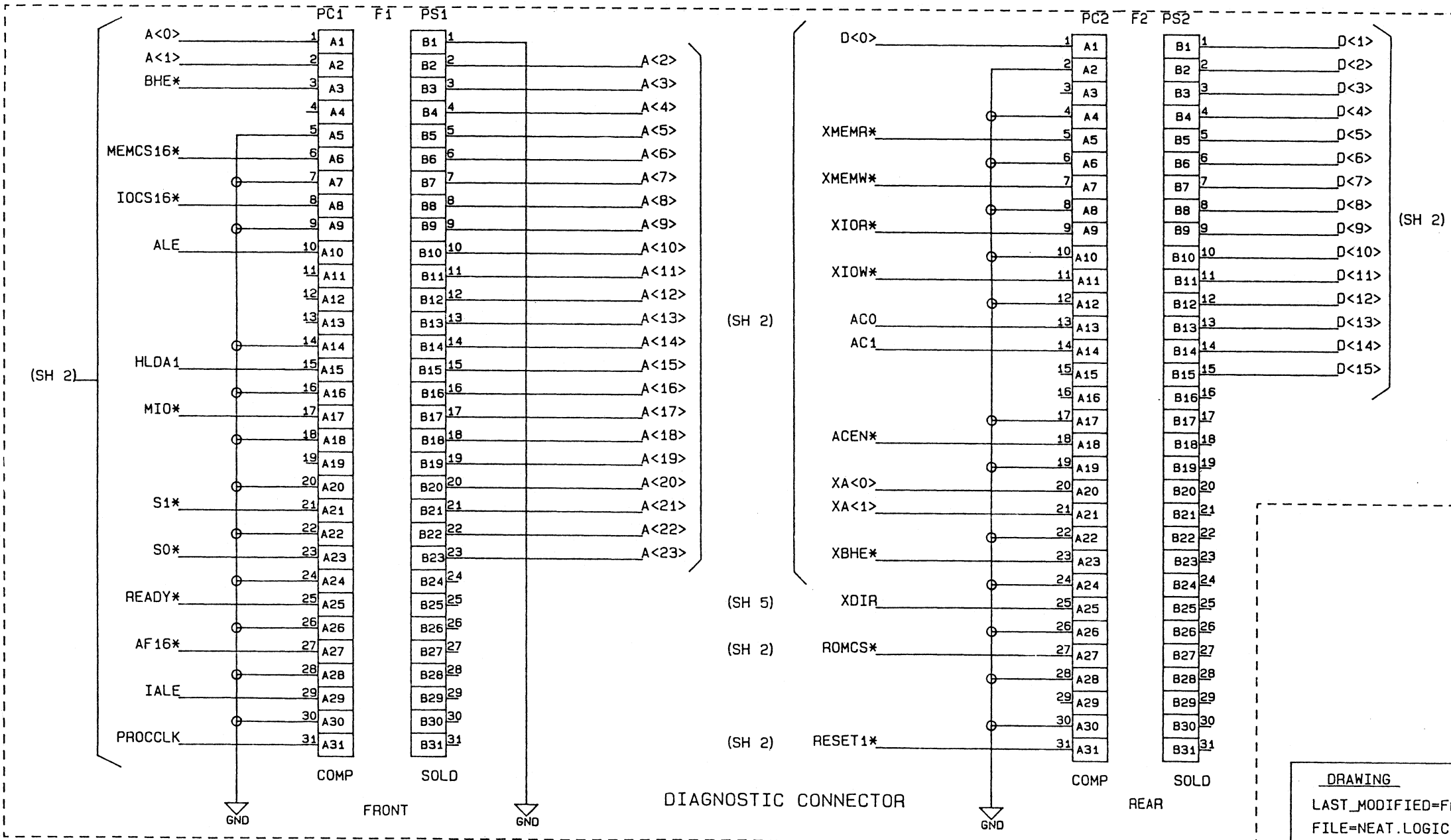
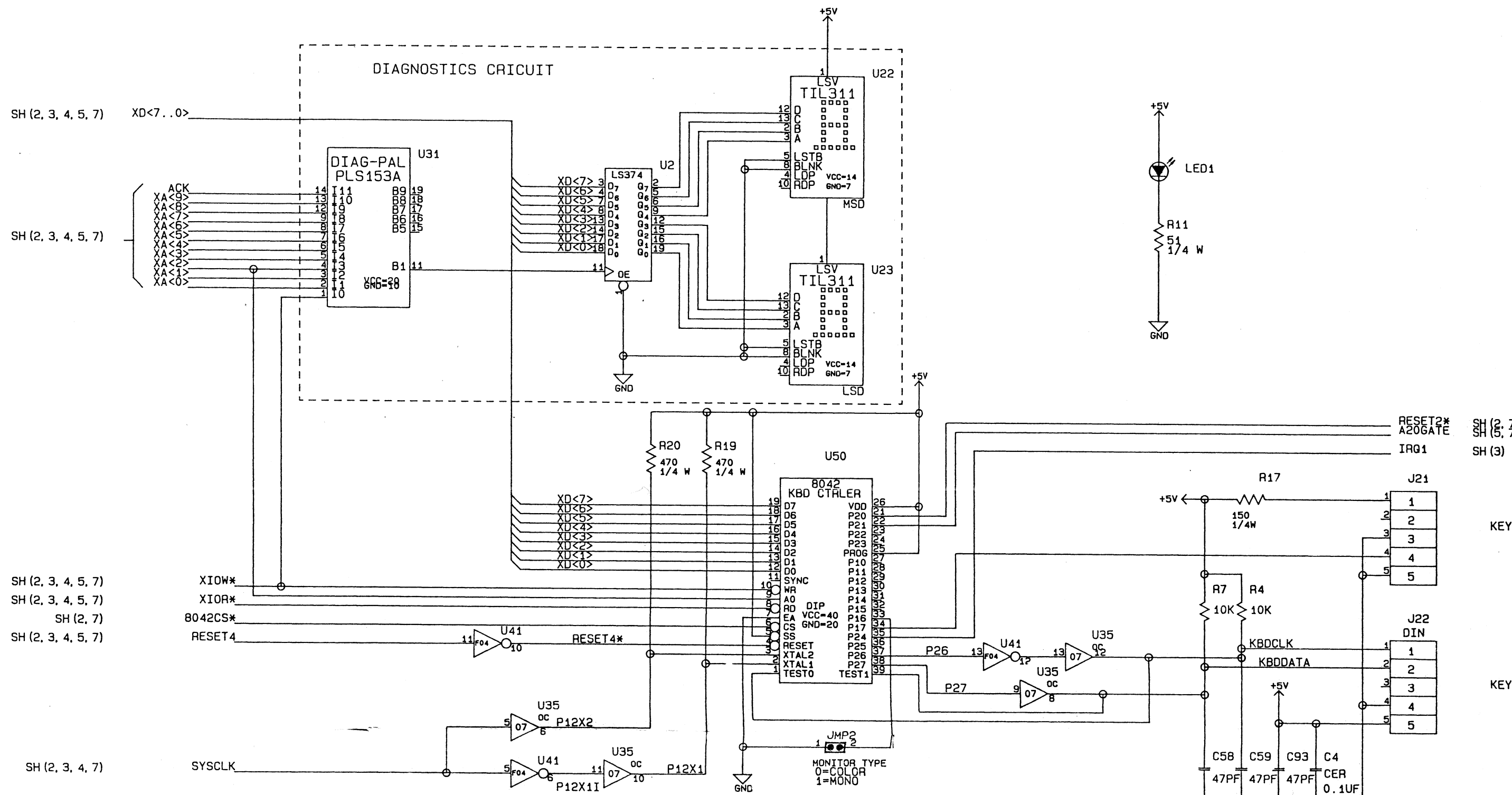
CHIPS AND TECHNOLOGIES  
3050 ZANKER RD.  
SAN JOSE, CA 95134

REV	DATE	BY	REASON
0	2-16-87	RK	
1	6-18-87	RK	UPDATE
2	7-15-87	RK	LAYOUT UPDATE
3	8-19-87	SB	DEBUG
A	9-09-87	SB	RELEASE OF FAB C
B	10-21-87	AA	UPDATES
C	10-28-87	AA	DEBUG

**DISCLAIMER**  
THIS IS AN APPLICATION EXAMPLE.  
CHIPS AND TECHNOLOGIES BEARS NO  
RESPONSIBILITY FOR ANY ERRORS  
IN DRAWING THESE SCHEMATICS.

© 1987 CHIPS & TECHNOLOGIES

DRAWING	LASTMOD
LAST_MODIFIED=Wed Oct 21 15:19:39 1987 FILE=NEAT.LOGIC.1.6	MOD_BY=MLM DATE=6-05-87



DRAWING NO. DK8221SCC



CHIPS AND TECHNOLOGIES  
3050 ZANKER RD.  
SAN JOSE, CA 95134

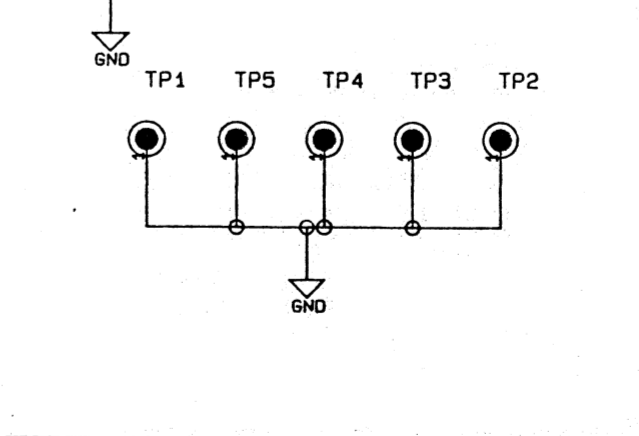
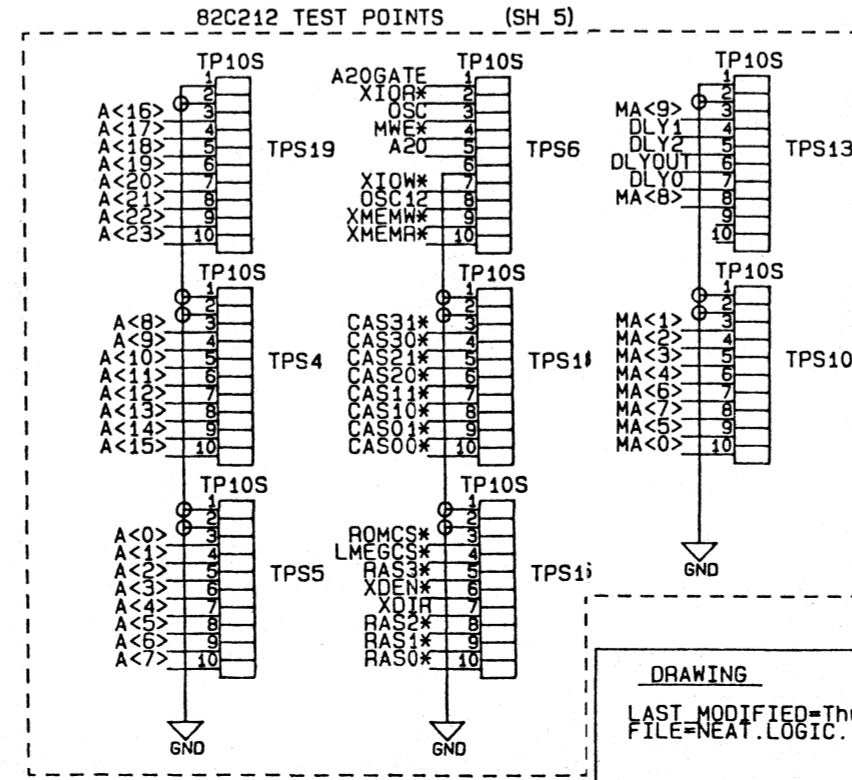
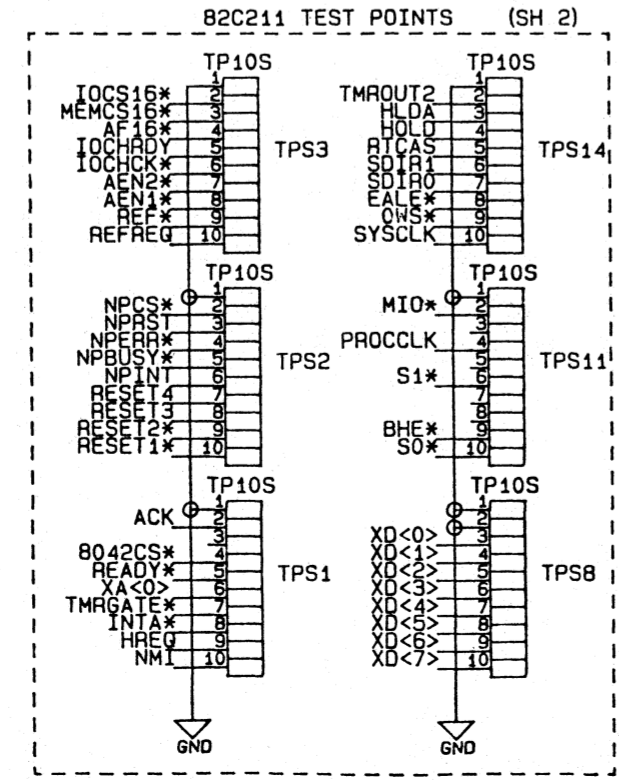
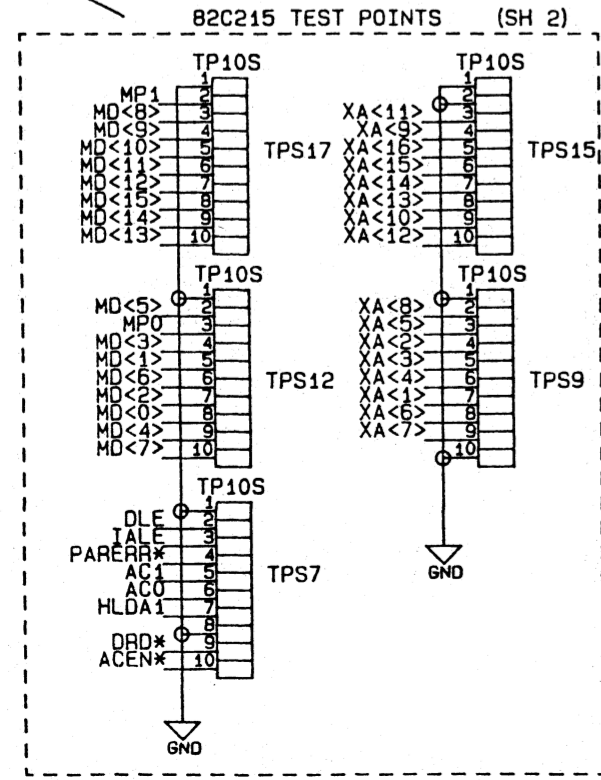
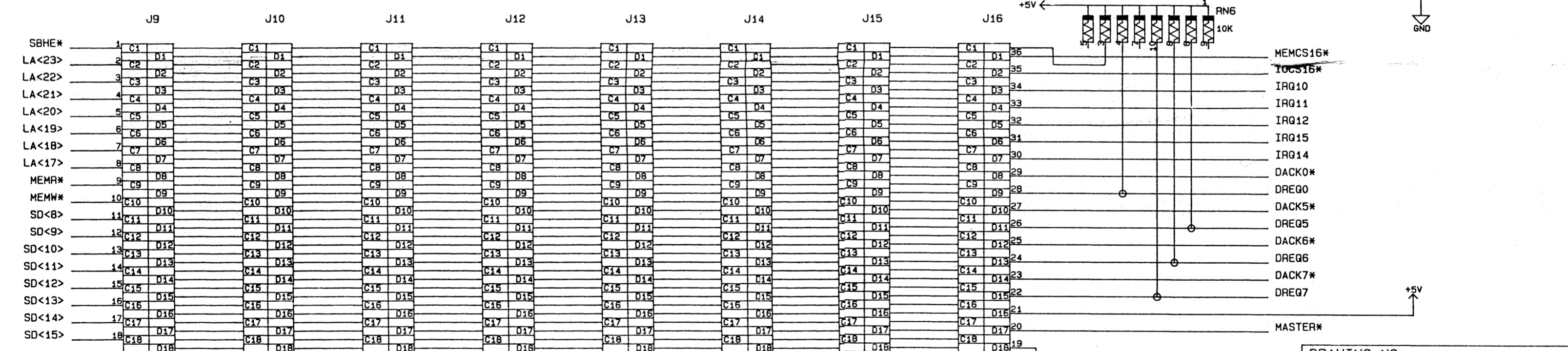
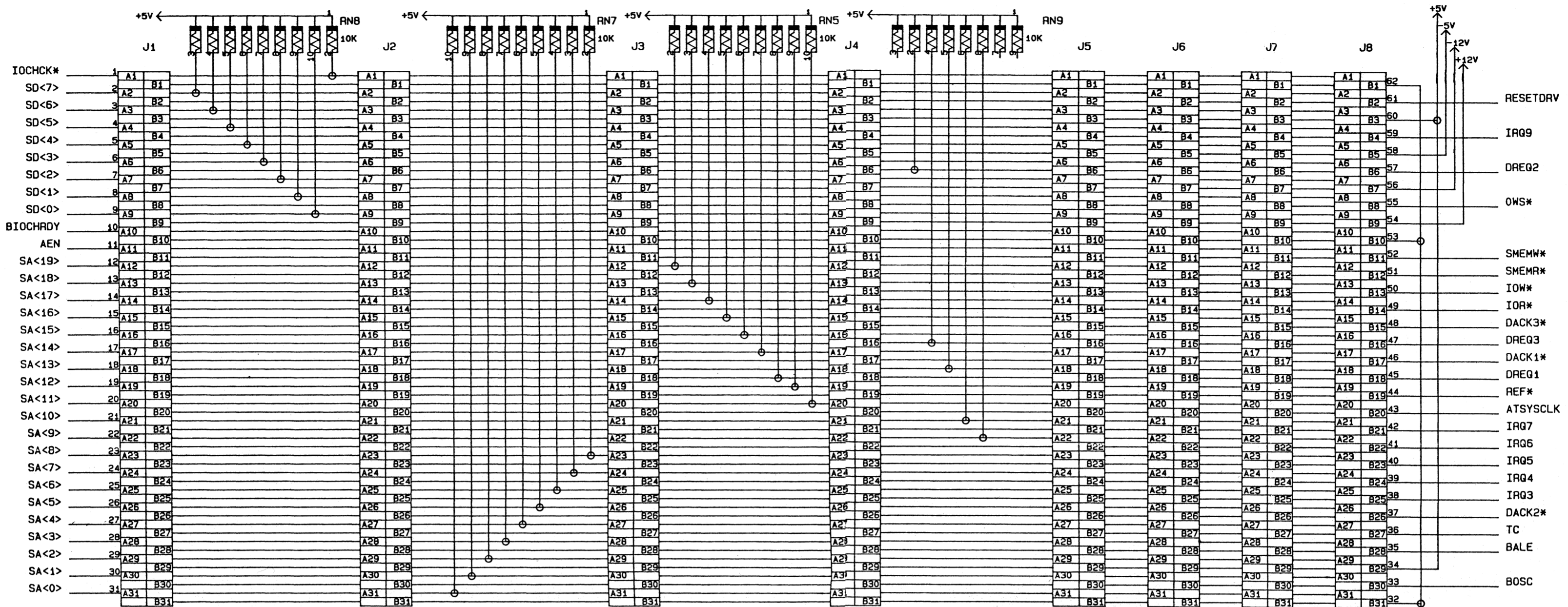
REV	DATE	BY	REASON
0	2-16-87	RK	
1	6-18-87	RK	UPDATE
2	7-15-87	RK	LAYOUT UPDATE
3	8-19-87	SB	DEBUG
A	9-09-87	SB	RELEASE OF FAB C
B	10-21-87	AA	UPDATES
C	10-28-87	AA	DEBUG

**DISCLAIMER**  
THIS IS AN APPLICATION EXAMPLE.  
CHIPS AND TECHNOLOGIES BEARS NO  
RESPONSIBILITY FOR ANY ERRORS  
IN DRAWING THESE SCHEMATICS.

© 1987 CHIPS & TECHNOLOGIES

DRAWING  
LAST\_MODIFIED=Fri Nov 6 08:45:22 1987  
FILE=NEAT.LOGIC.1.7

LASTMOD  
MOD\_BY=DRW  
MODATE=NOV-06-87



DRAWING NO. DK8221SCC



CHIPS AND TECHNOLOGIES  
3050 ZANKER RD.  
SAN JOSE, CA 95134

REV	DATE	BY	REASON
0	2-16-87	RK	
1	6-18-87	RK	UPDATE
2	7-15-87	RK	LAYOUT UPDATE
3	8-19-87	SB	DEBUG
A	9-09-87	SB	RELEASE OF FAB C
B	10-21-87	AA	UPDATES
C	10-28-87	AA	DEBUG

**DISCLAIMER**  
THIS IS AN APPLICATION EXAMPLE.  
CHIPS AND TECHNOLOGIES BEARS NO  
RESPONSIBILITY FOR ANY ERRORS  
IN DRAWING THESE SCHEMATICS.

© 1987 CHIPS & TECHNOLOGIES

DRAWING  
LASTMOD Thu Nov 5 15:28:37 1987  
FILE=NEAT.LOGIC.1.8

LASTMOD  
MOD BY JWH  
MODATE=NOV-05-87