

**68HC05J5A
68HRC05J5A
68HC705J5A
68HRC705J5A**

**SPECIFICATION
(General Release)**

July 16, 1999

Semiconductor Products Sector



TABLE OF CONTENTS

Section **Page**

**SECTION 1
GENERAL DESCRIPTION**

1.1	FEATURES	1-1
1.2	MASK OPTIONS	1-2
1.3	MCU STRUCTURE	1-2
1.4	PIN ASSIGNMENTS	1-4
1.5	FUNCTIONAL PIN DESCRIPTION	1-4
1.5.1	V _{DD} AND V _{SS}	1-4
1.5.2	OSC1, OSC2/R	1-4
1.5.3	RESET	1-6
1.5.4	$\overline{\text{IRQ}}$ (MASKABLE INTERRUPT REQUEST)	1-6
1.5.5	PA0-PA7	1-6
1.5.6	PB0-PB5	1-7

**SECTION 2
MEMORY**

2.1	I/O AND CONTROL REGISTERS	2-2
2.2	RAM	2-2
2.3	ROM	2-2
2.4	I/O REGISTERS SUMMARY	2-3

**SECTION 3
CENTRAL PROCESSING UNIT**

3.1	REGISTERS	3-1
3.2	ACCUMULATOR (A)	3-2
3.3	INDEX REGISTER (X)	3-2
3.4	STACK POINTER (SP)	3-2
3.5	PROGRAM COUNTER (PC)	3-2
3.6	CONDITION CODE REGISTER (CCR)	3-3
3.6.1	Half Carry Bit (H-Bit)	3-3
3.6.2	Interrupt Mask (I-Bit)	3-3
3.6.3	Negative Bit (N-Bit)	3-3
3.6.4	Zero Bit (Z-Bit)	3-3
3.6.5	Carry/Borrow Bit (C-Bit)	3-4

**SECTION 4
INTERRUPTS**

4.1	CPU INTERRUPT PROCESSING	4-1
4.2	RESET INTERRUPT SEQUENCE	4-2
4.3	SOFTWARE INTERRUPT (SWI)	4-3
4.4	HARDWARE INTERRUPTS	4-3
4.5	EXTERNAL INTERRUPT (IRQ)	4-3
4.5.1	IRQ CONTROL/STATUS REGISTER (ICSR) \$0A	4-5

TABLE OF CONTENTS

Section	Page
4.5.2	OPTIONAL EXTERNAL INTERRUPTS (PA0-PA3) 4-6
4.5.3	TIMER INTERRUPT (MFT) 4-7
4.5.4	TIMER1 INTERRUPT (16-BIT TIMER)..... 4-7

**SECTION 5
RESETS**

5.1	EXTERNAL RESET (RESET)..... 5-2
5.2	INTERNAL RESETS 5-2
5.2.1	POWER-ON RESET (POR) 5-2
5.2.2	COMPUTER OPERATING PROPERLY RESET (COPR)..... 5-2
5.2.3	LOW VOLTAGE RESET (LVR) 5-3
5.2.4	ILLEGAL ADDRESS RESET (ILADR)..... 5-3

**SECTION 6
LOW POWER MODES**

6.1	STOP INSTRUCTION..... 6-2
6.1.1	STOP Mode 6-3
6.1.2	HALT Mode..... 6-3
6.2	WAIT INSTRUCTION..... 6-4
6.3	DATA-RETENTION MODE 6-4
6.4	COP WATCHDOG TIMER CONSIDERATIONS 6-4

**SECTION 7
INPUT/OUTPUT PORTS**

7.1	SLOW OUTPUT FALLING-EDGE TRANSITION..... 7-1
7.2	PORT A..... 7-1
7.2.1	Port A Data Register 7-2
7.2.2	Port A Data Direction Register..... 7-2
7.2.3	Port A Pulldown/up Register 7-3
7.2.4	Port A Drive Capability..... 7-3
7.2.5	Port A I/O Pin Interrupts..... 7-3
7.3	PORT B..... 7-4
7.3.1	Port B Data Register 7-4
7.3.2	Port B Data Direction Register..... 7-5
7.3.3	Port B Pulldown/up Register 7-5
7.4	I/O PORT PROGRAMMING 7-6
7.4.1	Pin Data Direction..... 7-6
7.4.2	Output Pin..... 7-6
7.4.3	Input Pin..... 7-6
7.4.4	I/O Pin Transitions 7-7
7.4.5	I/O Pin Truth Tables..... 7-7

TABLE OF CONTENTS

Section	Page
SECTION 8	
MULTI-FUNCTION TIMER	
8.1 OVERVIEW.....	8-2
8.2 COMPUTER OPERATING PROPERLY (COP) WATCHDOG	8-2
8.3 MFT REGISTERS	8-2
8.3.1 Timer Counter Register (TCR) \$09.....	8-3
8.3.2 Timer Control/Status Register (TCSR) \$08	8-3
8.4 OPERATION DURING STOP MODE	8-5
8.5 OPERATION DURING WAIT/HALT MODE.....	8-5
SECTION 9	
16-BIT TIMER	
9.1 TIMER1 COUNTER REGISTERS (TCNTH, TCNTL)	9-2
9.2 ALTERNATE COUNTER REGISTERS (ACNTH, ACNTL).....	9-3
9.3 INPUT CAPTURE REGISTERS	9-5
9.4 TIMER1 CONTROL REGISTER (T1CR)	9-8
9.5 TIMER1 STATUS REGISTER (T1SR).....	9-9
9.6 TIMER1 OPERATION DURING WAIT MODE.....	9-9
9.7 TIMER1 OPERATION DURING STOP MODE	9-9
SECTION 10	
INSTRUCTION SET	
10.1 ADDRESSING MODES	10-1
10.1.1 Inherent.....	10-1
10.1.2 Immediate	10-1
10.1.3 Direct	10-2
10.1.4 Extended.....	10-2
10.1.5 Indexed, No Offset.....	10-2
10.1.6 Indexed, 8-Bit Offset	10-2
10.1.7 Indexed, 16-Bit Offset.....	10-3
10.1.8 Relative.....	10-3
10.1.9 Instruction Types	10-3
10.1.10 Register/Memory Instructions	10-4
10.1.11 Read-Modify-Write Instructions	10-5
10.1.12 Jump/Branch Instructions	10-5
10.1.13 Bit Manipulation Instructions.....	10-7
10.1.14 Control Instructions.....	10-7
10.1.15 Instruction Set Summary	10-8

TABLE OF CONTENTS

Section	Page
SECTION 11	
ELECTRICAL SPECIFICATIONS	
11.1 MAXIMUM RATINGS.....	11-1
11.2 THERMAL CHARACTERISTICS.....	11-1
11.3 FUNCTIONAL OPERATING RANGE.....	11-1
11.4 DC ELECTRICAL CHARACTERISTICS.....	11-2
11.5 CONTROL TIMING.....	11-5
SECTION 12	
MECHANICAL SPECIFICATIONS	
12.1 16-PIN PDIP (CASE #648).....	12-1
12.2 16-PIN SOIC (CASE #751G).....	12-1
12.3 20-PIN PDIP (CASE #738).....	12-2
12.4 20-PIN SOIC (CASE #751D).....	12-2
APPENDIX A	
MC68HRC05J5A	
A.1 INTRODUCTION.....	A-1
A.2 RC OSCILLATOR CONNECTIONS.....	A-1
A.3 ELECTRICAL CHARACTERISTICS.....	A-2
APPENDIX B	
MC68HC705J5A	
B.1 INTRODUCTION.....	B-1
B.2 MEMORY.....	B-1
B.3 MASK OPTION REGISTERS (MOR).....	B-1
B.4 BOOTSTRAP MODE.....	B-4
B.5 EPROM PROGRAMMING.....	B-4
B.5.1 EPROM Program Control Register (PCR).....	B-4
B.5.2 Programming Sequence.....	B-5
B.6 ELECTRICAL CHARACTERISTICS.....	B-6
APPENDIX C	
MC68HRC705J5A	
C.1 INTRODUCTION.....	C-1
C.2 RC OSCILLATOR CONNECTIONS.....	C-1
C.3 ELECTRICAL CHARACTERISTICS.....	C-2
APPENDIX D	
ORDERING INFORMATION	
D.1 MC ORDER NUMBERS.....	D-1

LIST OF FIGURES

Figure	Title	Page
1-1	MC68HC05J5A Block Diagram.....	1-3
1-2	Pin Assignments for 16-Pin and 20-Pin Packages.....	1-4
1-3	Oscillator Connections	1-5
2-1	MC68HC05J5A Memory Map	2-1
2-2	I/O Registers Memory Map	2-2
2-3	I/O Registers \$0000-\$000F.....	2-3
2-4	I/O Registers \$0010-\$001F.....	2-4
3-1	MC68HC05 Programming Model.....	3-1
4-1	Interrupt Processing Flowchart	4-2
4-2	IRQ Function Block Diagram.....	4-3
4-3	IRQ Status & Control Register	4-5
5-1	Reset Block Diagram	5-1
6-1	STOP/HALT/WAIT Flowcharts.....	6-2
7-1	Port B Data Direction Register.....	7-1
7-2	Port A I/O Circuitry	7-2
7-3	Port B I/O Circuitry	7-4
8-1	Multi-Function Timer Block Diagram.....	8-1
8-2	COP Watchdog Timer Location	8-2
8-3	Timer Counter Register.....	8-3
8-4	Timer Control/Status Register (TCSR).....	8-3
9-1	16-Bit Timer Block Diagram	9-1
9-2	16-Bit Timer Counter Block Diagram	9-2
9-3	16-Bit Timer Counter Registers (TCNTH, TCNTL)	9-3
9-4	Alternate Counter Block Diagram.....	9-4
9-5	Alternate Counter Registers (ACNTH, ACNTL)	9-4
9-6	Timer Input Capture Block Diagram.....	9-5
9-7	Timer1 Capture Control Register	9-6
9-8	TCAP Input Signal Conditioning.....	9-6
9-9	TCAP Input Comparator Output.....	9-7
9-10	Input Capture Registers (ICH, ICL).....	9-7
9-11	Timer Control Register (T1CR)	9-8
9-12	Timer Status Registers (T1SR).....	9-9
12-1	16-Pin PDIP Mechanical Dimensions	12-1
12-2	16-Pin SOIC Mechanical Dimensions.....	12-1
12-3	20-Pin PDIP Mechanical Dimensions	12-2
12-4	20-Pin SOIC Mechanical Dimensions.....	12-2
A-1	RC Oscillator Connections.....	A-1
A-2	Typical Internal Operating Frequency for RC Oscillator Connections.....	A-2
B-1	MC68HC705J5A Memory Map	B-3
B-2	EPROM Programming Sequence	B-5
C-1	RC Oscillator Connections.....	C-1
C-2	Typical Internal Operating Frequency for RC Oscillator Connections.....	C-2

LIST OF FIGURES

Figure	Title	Page
---------------	--------------	-------------

Freescale Semiconductor, Inc.

LIST OF TABLES

Table	Title	Page
4-1	Vector Address for Interrupts and Reset.....	4-1
6-1	COP Watchdog Timer Recommendations.....	6-5
7-1	Port A I/O Pin Functions.....	7-7
7-2	Port B I/O Pin Functions.....	7-7
8-1	RTI Rates and COP Reset Times.....	8-5
10-1	Register/Memory Instructions.....	10-4
10-2	Read-Modify-Write Instructions.....	10-5
10-3	Jump and Branch Instructions.....	10-6
10-4	Bit Manipulation Instructions.....	10-7
10-5	Control Instructions.....	10-7
10-6	Instruction Set Summary.....	10-8
10-7	Opcode Map.....	10-14
11-1	DC Electrical Characteristics, VDD=5 V.....	11-2
11-2	DC Electrical Characteristics, VDD=2.2V.....	11-3
11-3	Control Timing, VDD=5V.....	11-5
11-4	Control Timing, VDD=2.2V.....	11-5
A-1	Functional Operating Range.....	A-2
A-2	DC Electrical Characteristics, VDD=5V.....	A-2
B-1	Functional Operating Range.....	B-6
B-2	EPROM Programming Electrical Characteristics.....	B-6
B-3	DC Electrical Characteristics, VDD=5 V.....	B-6
C-1	Functional Operating Range.....	C-2
C-2	DC Electrical Characteristics, VDD=5 V.....	C-2
D-1	MC Order Numbers.....	D-1

LIST OF TABLES

Table	Title	Page
--------------	--------------	-------------

Freescale Semiconductor, Inc.

**SECTION 1
GENERAL DESCRIPTION**

The MC68HC05J5A is a member of the low-cost high-performance M68HC05 Family of 8-bit microcontroller units (MCUs). The M68HC05 Family is based on the customer-specified integrated circuit design strategy. All MCUs in the family use the popular M68HC05 central processing unit (CPU) and are available with a variety of subsystems, memory sizes and types, and package types.

The MC68HC05J5A is an enhanced version of the MC68HC05J5, with expanded RAM, ROM sizes, and an additional 16-bit timer with TCAP. This MCU is available in 20-pin PDIP, 20-pin SOIC, 16-pin PDIP, and 16-pin SOIC packages. The 16-pin version has four less I/O lines.

Three variation on the MC68HC05J5A device are available; a summary of their differences are listed in the following table:

DEVICE	ROM TYPE	OSCILLATOR OPTION	REFERENCE
MC68HC05J5A	2560 bytes ROM	Crystal/resonator or external clock oscillator	—
MC68HRC05J5A	2560 bytes ROM	RC oscillator	Appendix A
MC68HC705J5A	2560 bytes EPROM	Crystal/resonator or external clock oscillator	Appendix B
MC68HRC705J5A	2560 bytes EPROM	RC oscillator	Appendix C

1.1 FEATURES

The features of the MC68HC05J5A include the following:

- Industry standard M68HC05 CPU core
- Fully static operation with no minimum clock speed
- Power-saving STOP and WAIT modes
- Memory-Mapped Input/Output (I/O) registers
- 2560 Bytes of user ROM with security feature
- 128 Bytes of user RAM
- On-Chip Oscillator:
 - Crystal/Resonator oscillator
 - External clock oscillator
- 15-Bit Multi-function Timer
- 16-Bit Programmable Timer with Input Capture

GENERAL DESCRIPTION

- 14 Bidirectional I/O pins (10 I/O pins on 16-pin package)
 - PA0-PA5, PB0, and PB3-PB5: with software programmable input pull-down devices
 - PB1, PB2, PA6 and PA7: open-drained I/O pins with software programmable pull-up devices
 - PA6, PA7, and PB1: with slow output falling transition feature
 - PA7: with falling-edge interrupt capability
 - PA0-PA3: with maskable rising-edge only or rising-edge and high level interrupt capability
 - 20-pin package: PB1 and PB2, each with 25mA current sink capability
 - 16-pin package: PB1 with 50mA current sink capability
- Computer Operation Properly (COP) Watchdog
- Low Voltage Reset Circuit
- Illegal Address Reset
- 20-pin PDIP, 20-pin SOIC, 16-pin PDIP, and 16-pin SOIC packages

1.2 MASK OPTIONS

The following mask options are available on the MC68HC05J5A:

MASK	OPTION
STOP instruction convert to WAIT	[Enabled] or [Disabled]
External interrupt pins (\overline{IRQ} , PA0-PA3)	[Edge-triggered] or [Edge and level triggered]
Port A and Port B pull-down/pull-up resistors	[Enabled] or [Disabled]
PA0-PA3 external interrupt capability	[Enabled] or [Disabled]
Oscillator Delay Option (internal clock cycles)	[224] or [4064]
Low Voltage Reset	[Enabled] or [Disabled]
COP Watchdog Timer	[Enabled] or [Disabled]

1.3 MCU STRUCTURE

Figure 1-1 shows the structure of MC68HC05J5A MCU.

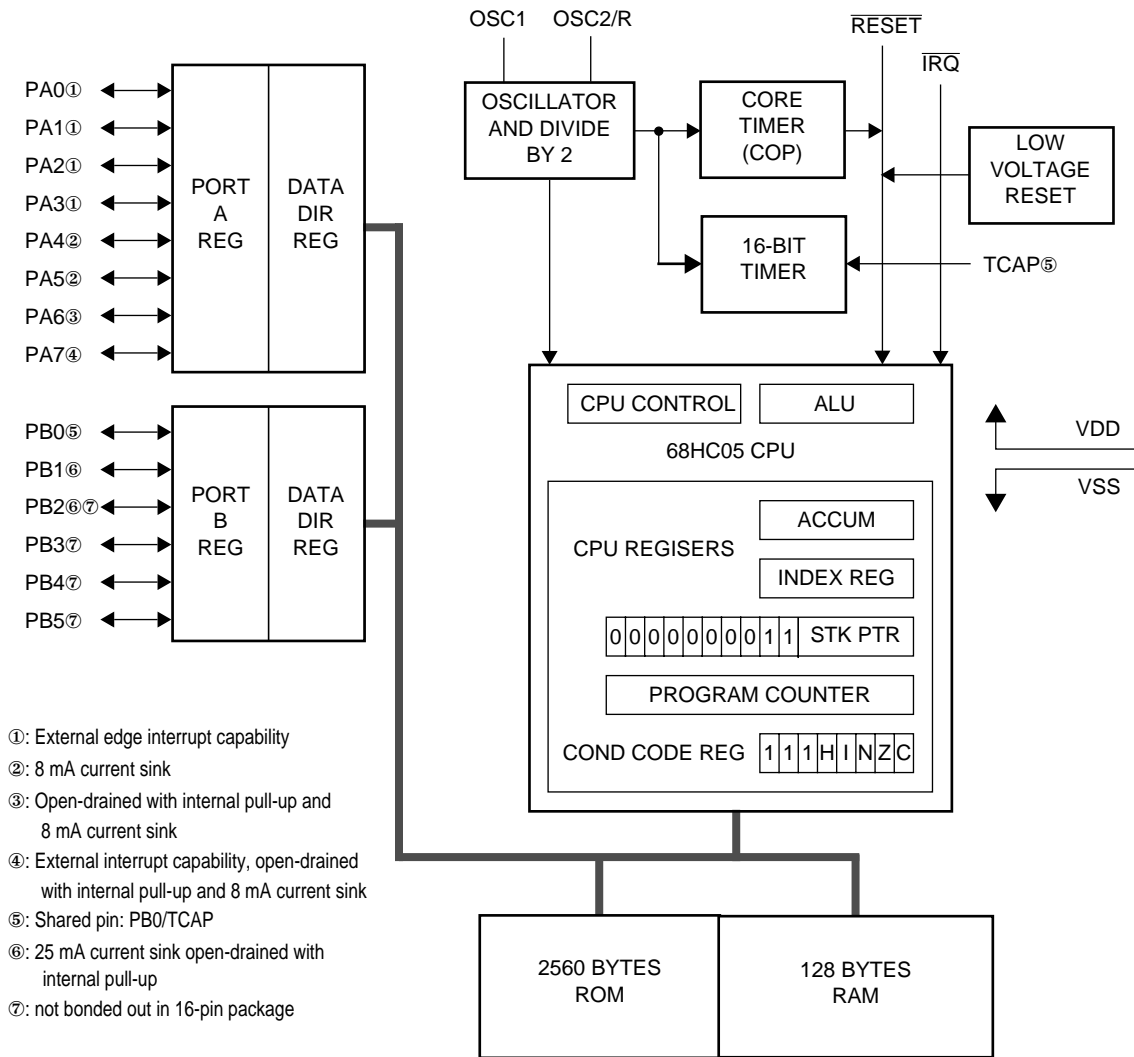
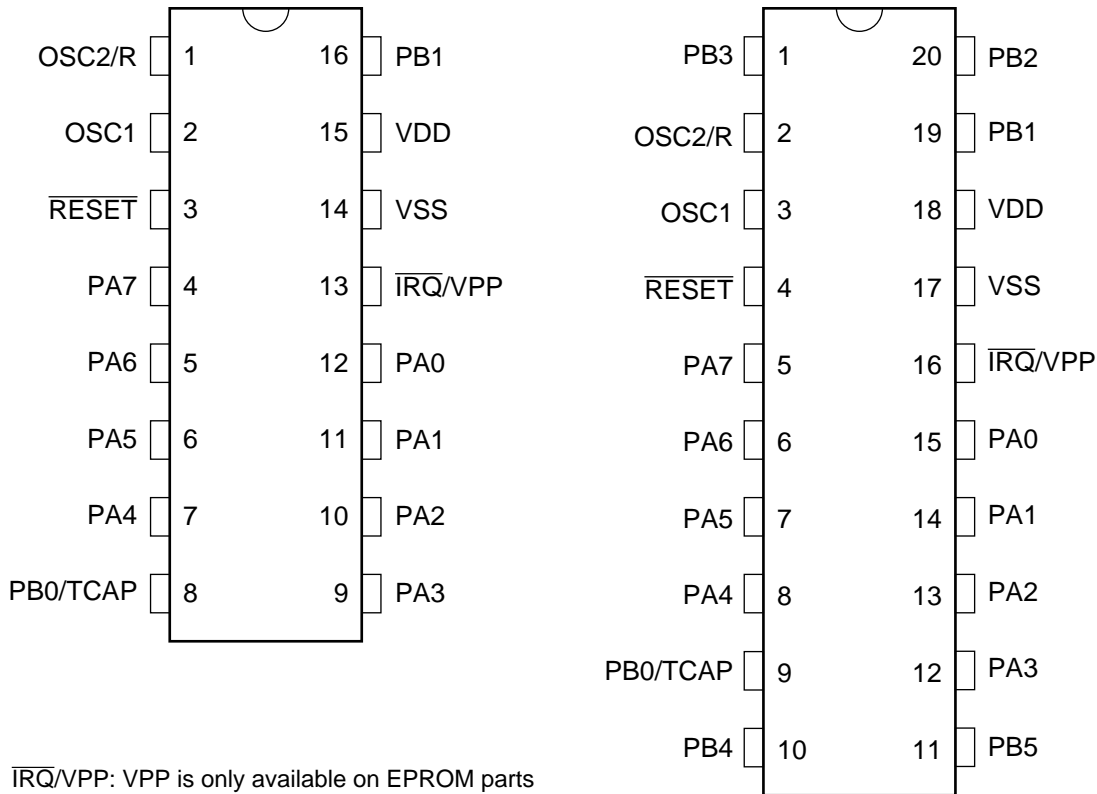


Figure 1-1. MC68HC05J5A Block Diagram

1.4 PIN ASSIGNMENTS



IRQ/VPP: VPP is only available on EPROM parts

Figure 1-2. Pin Assignments for 16-Pin and 20-Pin Packages

1.5 FUNCTIONAL PIN DESCRIPTION

The following paragraphs give a description of the general function of each pin assigned in Figure 1-2.

1.5.1 V_{DD} AND V_{SS}

Power is supplied to the MCU through V_{DD} and V_{SS}. V_{DD} is the positive supply, and V_{SS} is ground. The MCU operates from a single power supply.

Very fast signal transitions occur on the MCU pins. The short rise and fall times place very high short-duration current demands on the power supply. To prevent noise problems, special care should be taken to provide good power supply bypassing at the MCU by using bypass capacitors with good high-frequency characteristics that are positioned as close to the MCU as possible. Bypassing requirements vary, depending on how heavily the MCU pins are loaded.

1.5.2 OSC1, OSC2/R

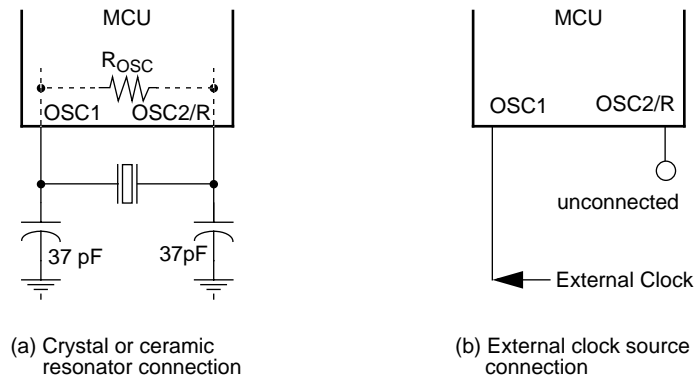
The OSC1 and OSC2/R pins are the connections for the on-chip oscillator. The OSC1 and OSC2/R pins can accept the following sets of components:

1. A crystal as shown in **Figure 1-3(a)**
2. A ceramic resonator as shown in **Figure 1-3(a)**
3. An external clock signal as shown in **Figure 1-3(b)**

The frequency, f_{OSC} , of the oscillator or external clock source is divided by two to produce the internal operating frequency, f_{OP} .

Crystal Oscillator

The circuit in **Figure 1-3(a)** shows a typical oscillator circuit for an AT-cut, parallel resonant crystal. The crystal manufacturer's recommendations should be followed, as the crystal parameters determine the external component values required to provide maximum stability and reliable start-up. The load capacitance values used in the oscillator circuit design should include all stray capacitances. The crystal and components should be mounted as close as possible to the pins for start-up stabilization and to minimize output distortion. An internal start-up resistor is provided between OSC1 and OSC2/R for the crystal type oscillator.



R_{OSC} : see Section 11. Electrical Specifications.

Figure 1-3. Oscillator Connections

Ceramic Resonator Oscillator

In cost-sensitive applications, a ceramic resonator can be used in place of the crystal. The circuit in **Figure 1-3(a)** can be used for a ceramic resonator. The resonator manufacturer's recommendations should be followed, as the resonator parameters determine the external component values required for maximum stability and reliable starting. The load capacitance values used in the oscillator circuit design should include all stray capacitances. The ceramic resonator and components should be mounted as close as possible to the pins for start-up stabilization and to minimize output distortion. An internal start-up resistor is provided between OSC1 and OSC2/R for the ceramic resonator type oscillator.

External Clock

An external clock from another CMOS-compatible device can be connected to the OSC1 input, with the OSC2/R input not connected, as shown in **Figure 1-3(b)**.

1.5.3 $\overline{\text{RESET}}$

This is an I/O pin. This pin can be used as an input to reset the MCU to a known start-up state by pulling it to the low state. The $\overline{\text{RESET}}$ pin contains a steering diode to discharge any voltage on the pin to V_{DD} , when the power is removed. An internal pull-up is also connected between this pin and V_{DD} . The $\overline{\text{RESET}}$ pin contains an internal Schmitt trigger to improve its noise immunity as an input. This pin is an output pin if LVR triggers an internal reset.

1.5.4 $\overline{\text{IRQ}}$ (MASKABLE INTERRUPT REQUEST)

This input pin drives the asynchronous IRQ interrupt function of the CPU. The IRQ interrupt function has a mask option to provide either only negative edge-sensitive triggering or both negative edge-sensitive and low level-sensitive triggering. If the option is selected to include level-sensitive triggering, the $\overline{\text{IRQ}}$ input requires an external resistor to V_{DD} for "wired-OR" operation, if desired. The $\overline{\text{IRQ}}$ pin contains an internal Schmitt trigger as part of its input to improve noise immunity.

Each of the PA0 through PA3 I/O pins may be connected as an OR function with the IRQ interrupt function by a mask option. This capability allows keyboard scan applications where the transitions or levels on the I/O pins will behave the same as the $\overline{\text{IRQ}}$ pin, except for the inverted phase. The edge or level sensitivity selected by a separate mask option for the $\overline{\text{IRQ}}$ pin also applies to the I/O pins OR'ed to create the IRQ signal. Besides, PA7 also has falling-edge only interrupt capability whose functionality is controlled by another set of register bits.

1.5.5 PA0-PA7

These eight I/O lines comprise Port A. PA6 and PA7 are open-drained pins with pull-up devices whereas PA0 to PA5 are push-pull pins with pull-down devices. PA4 to PA7 are also capable of sinking 8mA.

The state of any pin is software programmable and all Port A lines are configured as inputs during power-on or reset. The lower four I/O pins (PA0 to PA3) can be connected via an internal OR gate to the IRQ interrupt function enabled by a mask option. Another independent interrupt source comes from the falling-edge on PA7. PA7 interrupt source is associated with a second set of interrupt control/status bits. All Port A pins except PA6 and PA7 have software programmable pull-down devices also provided by a mask option. PA6 and PA7 pins have software programmable pull-up devices also provided by the same mask option. Pull-up devices on PA6 and PA7 once enabled are always enabled regardless of pin direction configuration, unlike pull-down devices on PA0 to PA5 which are activated only when these pins are configured as input pins.

PA6 and PA7 pins, when configured as output pins, also have slow output falling-edge transition feature to reduce EMI. The falling-edge transition time is set at 250ns typical at a specified load of 500pF, assuming the bus rate is 2MHz. The slow transition output feature of PA6 and PA7, along with that of PB1 and PB2,

can be enabled or disabled by software. Both PA6 and PA7 pins have Schmitt trigger input for better noise immunity. V_{IH} and V_{IL} are specified at 2.4V and 0.8V, respectively.

The slow transition feature of PA6 and PA7 pins can be enabled or disabled by software. Once enabled, slow transition feature is applied to both pins while in output mode.

1.5.6 PB0-PB5

NOTE

I/O lines PB2 to PB5 are not available on the 16-pin package.

These six I/O lines comprise Port B. PB0, PB3 to PB5 are push-pull I/O lines with pull-down resistor. PB1 and PB2 are open-drain I/O lines with pull-up resistor.

The state of any line is software programmable and is configured as an input during power-on or reset. I/O lines PB1 and PB2 have software programmable pull-up device, whereas PB0, PB3 to PB5 have software programmable pull-down device, provided by mask option. Pull-up devices on PB1 and PB2 lines once enabled are always enabled regardless of pin direction configuration; unlike pull-down devices on PB0, PB3-PB5 lines, which are activated only when the pin is configured as input pin.

Similar to PA6 and PA7, PB1 also has a slow output falling transition feature when configured as an output line. PB1 has 25mA sink capability at 0.5V V_{OL} .

PB2 output is one clock cycle (250ns if bus rate is 2MHz) late than other I/O pins if slow output transition feature is enabled. PB2 has 25mA sink capability at 0.5V V_{OL} .

NOTE

For the 16-pin package, PB1 and PB2 are bonded to the same pin and is labelled PB1. This PB1 pin has 50mA sink capability if PB1 and PB2 data register bits they are written with the same value at the same write cycle. The falling transition time of PB1 is set at 250ns typical at a specified load of 50pF, assuming that the bus rate is 2MHz. The slow transition feature on this PB1 pin is longer than PB1 pin for the 20-pin package.

NOTE

If Port Data Register PB1 and PB2 are not written with the same value, PB1 pin on the 16-pin package will sink 25mA only and the output transition time will be shorter.

Freescale Semiconductor, Inc.

GENERAL RELEASE SPECIFICATION July 16, 1999

Freescale Semiconductor, Inc.

GENERAL DESCRIPTION

MC68HC05J5A
REV 2.1

1-8

**For More Information On This Product,
Go to: www.freescale.com**

SECTION 2 MEMORY

The MC68HC05J5A has 4K-bytes of addressable memory consisting 32 bytes of I/O, 128 bytes of user RAM, and 2560 bytes of user ROM, as shown in **Figure 2-1**.

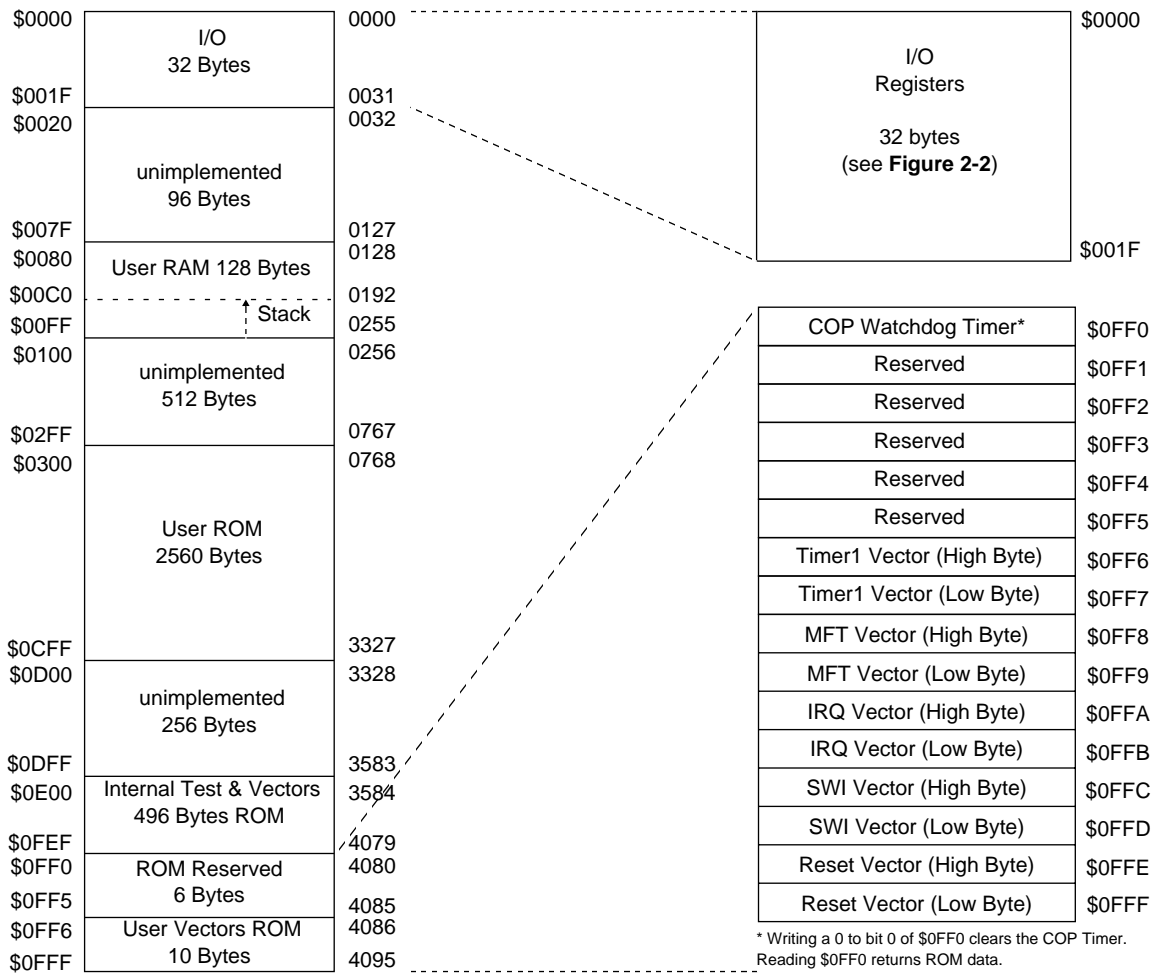


Figure 2-1. MC68HC05J5A Memory Map

2.1 I/O AND CONTROL REGISTERS

The I/O and Control Registers reside in locations \$0000-\$001F. The overall organization of these registers is shown in **Figure 2-2**. The bit assignments for each register are shown in **Figure 2-3** and **Figure 2-4**. Reading from unimplemented bits will return unknown states, and writing to unimplemented bits will be ignored.

Port A Data Register	\$0000
Port B Data Register	\$0001
Timer1 Capture Control Register	\$0002
unimplemented (1)	\$0003
Port A Data Direction Register	\$0004
Port B Data Direction Register	\$0005
unimplemented (2)	
MFT Control & Status Register	\$0008
MFT Counter Register	\$0009
IRQ Control & Status Register	\$000A
unimplemented (5)	
Port A Pulldown/up Register	\$0010
Port B Pulldown/up Register	\$0011
Timer1 Registers (4)	\$0012 \$0015
unimplemented (2)	
Timer1 Registers (4)	\$0018 \$001B
unimplemented (3)	
Reserved	\$001E
Reserved for Test	\$001F

Figure 2-2. I/O Registers Memory Map

2.2 RAM

The total RAM consists of 128 bytes (including the stack) at locations \$0080 through \$00FF. The stack begins at address \$00FF and proceeds down to \$00C0. Using the stack area for data storage or temporary work locations requires care to prevent it from being overwritten due to stacking from an interrupt or subroutine call.

2.3 ROM

There are a total of 2570 bytes of user ROM on-chip. This includes 2560 bytes of user ROM from locations \$0300 to \$0CFF for user program storage and 10 bytes for user vectors from locations \$0FF6 to \$0FFF.

2.4 I/O REGISTERS SUMMARY

ADDR	REGISTER	R/W	BIT 7	BIT 6	BIT 5	BIT 4	BIT 3	BIT 2	BIT 1	BIT 0
\$0000	Port A Data PORTA	R	PA7	PA6	PA5	PA4	PA3	PA2	PA1	PA0
		W								
\$0001	Port B Data PORTB	R	0	0	PB5	PB4	PB3	PB2	PB1	PB0
		W								
\$0002	Timer1 Capture Control T1CC	R	TCAPS							
		W								
\$0003	Unimplemented	R								
		W								
\$0004	Port A Data Direction DDRA	R	DDRA7	DDRA6	DDRA5	DDRA4	DDRA3	DDRA2	DDRA1	DDRA0
		W								
\$0005	Port B Data Direction DDRB	R	SLOWE	0	DDRB5	DDRB4	DDRB3	DDRB2	DDRB1	DDRB0
		W								
\$0006	Unimplemented	R								
		W								
\$0007	Unimplemented	R								
		W								
\$0008	MFT Ctrl/Status TCSR	R	TOF	RTIF	TOFE	RTIE	0	0	RT1	RT0
		W					TOFR	RTIFR		
\$0009	MFT Counter TCR	R	TMR7	TMR6	TMR5	TMR4	TMR3	TMR2	TMR1	TMR0
		W								
\$000A	IRQ Control/Status ICSR	R	IRQE	IRQE1	0	0	IRQF	IRQF1	0	0
		W				R				IRQR
\$000B	Unimplemented	R								
		W								
\$000C	Unimplemented	R								
		W								
\$000D	Unimplemented	R								
		W								
\$000E	Unimplemented	R								
		W								
\$000F	Unimplemented	R								
		W								

unimplemented bits



reserved bits



Figure 2-3. I/O Registers \$0000-\$000F

Freescale Semiconductor, Inc.

GENERAL RELEASE SPECIFICATION July 16, 1999

Freescale Semiconductor, Inc.

ADDR	REGISTER	R/W	BIT 7	BIT 6	BIT 5	BIT 4	BIT 3	BIT 2	BIT 1	BIT 0
\$0010	Port A Pull-down/up PDURA	R								
		W	PURA7	PURA6	PDRA5	PDRA4	PDRA3	PDRA2	PDRA1	PDRA0
\$0011	Port B Pull-down/up PDURB	R								
		W			PDRB5	PDRB4	PDRB3	PURB2	PURB1	PDRB0
\$0012	Timer1 Control T1CR	R	ICIE	0	T1OIE	0	0	0	IEDGE	0
		W								
\$0013	Timer1 Status T1SR	R	ICF	0	T1OF	0	0	0	0	0
		W								
\$0014	Input Capture High ICH	R	BIT15	BIT14	BIT13	BIT12	BIT11	BIT10	BIT9	BIT8
		W								
\$0015	Input Capture Low ICL	R	BIT7	BIT6	BIT5	BIT4	BIT3	BIT2	BIT1	BIT0
		W								
\$0016	<i>Unimplemented</i>	R								
		W								
\$0017	<i>Unimplemented</i>	R								
		W								
\$0018	Timer1 Counter High TCNTH	R	BIT15	BIT14	BIT13	BIT12	BIT11	BIT10	BIT9	BIT8
		W								
\$0019	Timer1 Counter Low TCNTL	R	BIT7	BIT6	BIT5	BIT4	BIT3	BIT2	BIT1	BIT0
		W								
\$001A	Alt. Counter High ACNTH	R	BIT15	BIT14	BIT13	BIT12	BIT11	BIT10	BIT9	BIT8
		W								
\$001B	Alt. Counter Low ACNTL	R	BIT7	BIT6	BIT5	BIT4	BIT3	BIT2	BIT1	BIT0
		W								
\$001C	<i>Unimplemented</i>	R								
		W								
\$001D	<i>Unimplemented</i>	R								
		W								
\$001E	<i>Reserved</i>	R	R	R	R	R	R	R	R	R
		W								
\$001F	<i>Reserved</i>	R	R	R	R	R	R	R	R	R
		W								

unimplemented bits



reserved bits



Figure 2-4. I/O Registers \$0010-\$001F

SECTION 3 CENTRAL PROCESSING UNIT

The MC68HC05J5A has an 4k-bytes memory map. The stack has only 64 bytes. Therefore, the stack pointer has been reduced to only 6 bits and will only decrement down to \$00C0 and then wrap-around to \$00FF. All other instructions and registers behave as described in this chapter.

3.1 REGISTERS

The MCU contains five registers which are hard-wired within the CPU and are not part of the memory map. These five registers are shown in **Figure 3-1** and are described in the following paragraphs.

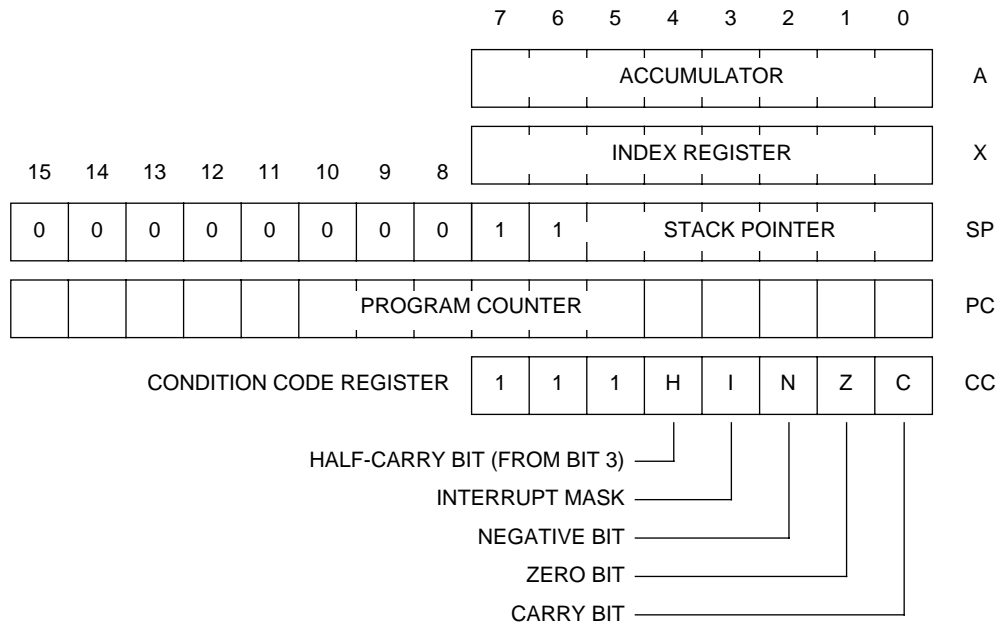


Figure 3-1. MC68HC05 Programming Model

3.2 ACCUMULATOR (A)

The accumulator is a general purpose 8-bit register as shown in **Figure 3-1**. The CPU uses the accumulator to hold operands and results of arithmetic calculations or non-arithmetic operations. The accumulator is not affected by a reset of the device.

3.3 INDEX REGISTER (X)

The index register shown in **Figure 3-1** is an 8-bit register that can perform two functions:

- Indexed addressing
- Temporary storage

In indexed addressing with no offset, the index register contains the low byte of the operand address, and the high byte is assumed to be \$00. In indexed addressing with an 8-bit offset, the CPU finds the operand address by adding the index register content to an 8-bit immediate value. In indexed addressing with a 16-bit offset, the CPU finds the operand address by adding the index register content to a 16-bit immediate value.

The index register can also serve as an auxiliary accumulator for temporary storage. The index register is not affected by a reset of the device.

3.4 STACK POINTER (SP)

The stack pointer shown in **Figure 3-1** is a 16-bit register. In MCU devices with memory space less than 64k-bytes the unimplemented upper address lines are ignored. The stack pointer contains the address of the next free location on the stack. During a reset or the reset stack pointer (RSP) instruction, the stack pointer is set to \$00FF. The stack pointer is then decremented as data is pushed onto the stack and incremented as data is pulled off the stack.

When accessing memory, the ten most significant bits are permanently set to 0000000011. The six least significant register bits are appended to these ten fixed bits to produce an address within the range of \$00FF to \$00C0. Subroutines and interrupts may use up to 64(\$C0) locations. If 64 locations are exceeded, the stack pointer wraps around and overwrites the previously stored information. A subroutine call occupies two locations on the stack and an interrupt uses five locations.

3.5 PROGRAM COUNTER (PC)

The program counter shown in **Figure 3-1** is a 16-bit register. In MCU devices with memory space less than 64k-bytes the unimplemented upper address lines are ignored. The program counter contains the address of the next instruction or operand to be fetched.

Normally, the address in the program counter increments to the next sequential memory location every time an instruction or operand is fetched. Jump, branch, and interrupt operations load the program counter with an address other than that of the next sequential location.

3.6 CONDITION CODE REGISTER (CCR)

The CCR shown in **Figure 3-1** is a 5-bit register in which four bits are used to indicate the results of the instruction just executed. The fifth bit is the interrupt mask. These bits can be individually tested by a program, and specific actions can be taken as a result of their states. The condition code register should be thought of as having three additional upper bits that are always ones. Only the interrupt mask is affected by a reset of the device. The following paragraphs explain the functions of the lower five bits of the condition code register.

3.6.1 Half Carry Bit (H-Bit)

When the half-carry bit is set, it means that a carry occurred between bits 3 and 4 of the accumulator during the last ADD or ADC (add with carry) operation. The half-carry bit is required for binary-coded decimal (BCD) arithmetic operations.

3.6.2 Interrupt Mask (I-Bit)

When the interrupt mask is set, the internal and external interrupts are disabled. Interrupts are enabled when the interrupt mask is cleared. When an interrupt occurs, the interrupt mask is automatically set after the CPU registers are saved on the stack, but before the interrupt vector is fetched. If an interrupt request occurs while the interrupt mask is set, the interrupt request is latched. Normally, the interrupt is processed as soon as the interrupt mask is cleared.

A return from interrupt (RTI) instruction pulls the CPU registers from the stack, restoring the interrupt mask to its state before the interrupt was encountered. After any reset, the interrupt mask is set and can only be cleared by the Clear I-Bit (CLI), or WAIT instructions.

3.6.3 Negative Bit (N-Bit)

The negative bit is set when the result of the last arithmetic operation, logical operation, or data manipulation was negative. (Bit 7 of the result was a logical one.)

The negative bit can also be used to check an often tested flag by assigning the flag to bit 7 of a register or memory location. Loading the accumulator with the contents of that register or location then sets or clears the negative bit according to the state of the flag.

3.6.4 Zero Bit (Z-Bit)

The zero bit is set when the result of the last arithmetic operation, logical operation, data manipulation, or data load operation was zero.

3.6.5 Carry/Borrow Bit (C-Bit)

The carry/borrow bit is set when a carry out of bit 7 of the accumulator occurred during the last arithmetic operation, logical operation, or data manipulation. The carry/borrow bit is also set or cleared during bit test and branch instructions and during shifts and rotates. This bit is neither set by an INC nor by a DEC instruction.

SECTION 4 INTERRUPTS

The MCU can be interrupted in six different ways:

- Non-maskable Software Interrupt Instruction (SWI)
- External Asynchronous Interrupt ($\overline{\text{IRQ}}$)
- Optional External Interrupt via IRQ on PA0-PA3 (by a mask option)
- External Interrupt via IRQ on PA7
- Multi-Function Timer (MFT)
- 16-Bit Timer Interrupt (Timer1)

4.1 CPU INTERRUPT PROCESSING

Interrupts cause the processor to save register contents on the stack and to set the interrupt mask (I-bit) to prevent additional interrupts. Unlike RESET, hardware interrupts do not cause the current instruction execution to be halted, but are considered pending until the current instruction is complete.

If interrupts are not masked (I-bit in the CCR is clear) and the corresponding interrupt enable bit is set the processor will proceed with interrupt processing. Otherwise, the next instruction is fetched and executed. If an interrupt occurs the processor completes the current instruction, then stacks the current CPU register states, sets the I-bit to inhibit further interrupts, and finally checks the pending hardware interrupts. If more than one interrupt is pending following the stacking operation, the interrupt with the highest vector location shown in **Table 4-1** will be serviced first. The SWI is executed the same as any other instruction, regardless of the I-bit state.

When an interrupt is to be processed the CPU fetches the address of the appropriate interrupt software service routine from the vector table at locations \$0FF6 thru \$0FFF as defined in **Table 4-1**.

Table 4-1. Vector Address for Interrupts and Reset

Register	Flag Name	Interrupts	CPU Interrupt	Vector Address
N/A	N/A	Reset	RESET	\$0FFE-\$0FFF
N/A	N/A	Software	SWI	\$0FFC-\$0FFD
ICSR	IRQF/IRQF1	External Interrupt	IRQ	\$0FFA-\$0FFB
TCSR	TOF	MFT Overflow	MFT	\$0FF8-\$0FF9
TCSR	RTIF	Real Time Interrupt	MFT	\$0FF8-\$0FF9
T1SR	T1OF, ICF	Timer1 Interrupt	TIMER1	\$0FF6-\$0FF7

An RTI instruction is used to signify when the interrupt software service routine is completed. The RTI instruction causes the register contents to be recovered from the stack and normal processing to resume at the next instruction that was to be executed when the interrupt took place. **Figure 4-1** shows the sequence of events that occur during interrupt processing.

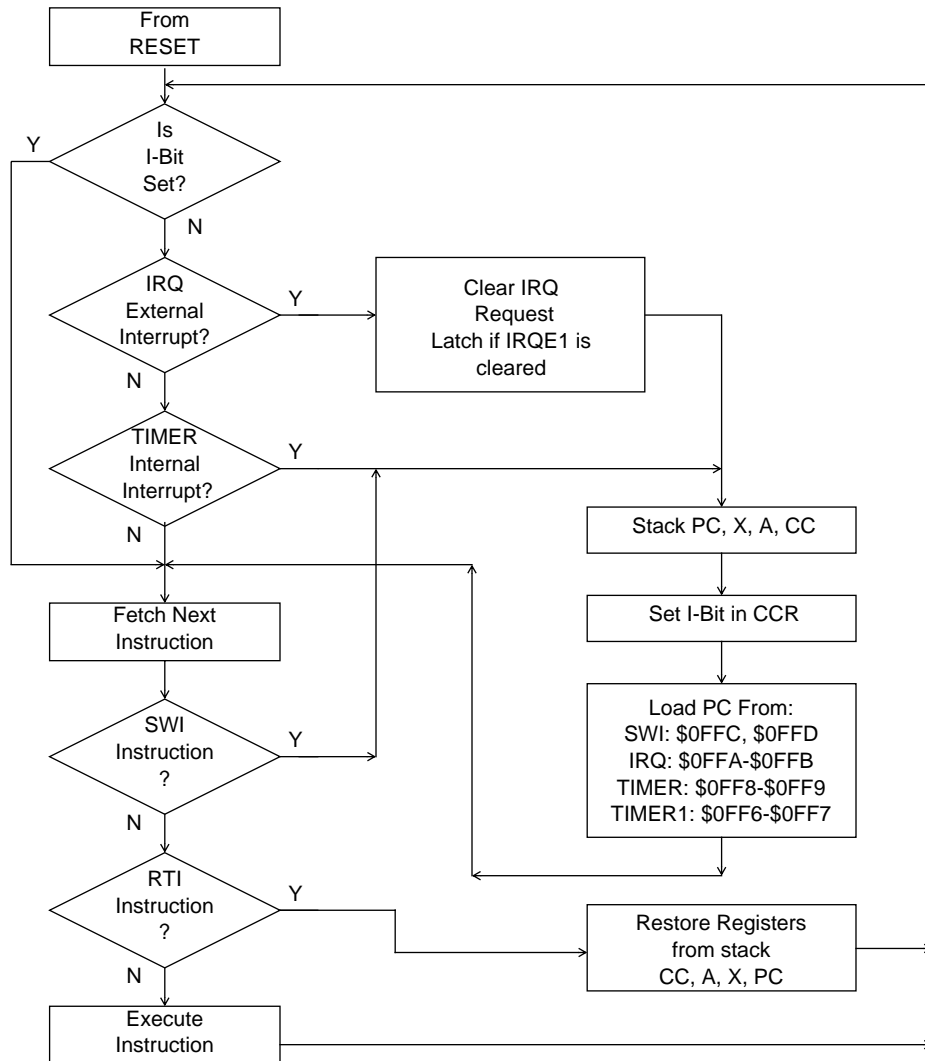


Figure 4-1. Interrupt Processing Flowchart

4.2 RESET INTERRUPT SEQUENCE

The RESET function is not in the strictest sense an interrupt; however, it is acted upon in a similar manner as shown in **Figure 4-1**. A low level input on the RESET pin or an internally generated RST signal causes the program to vector to its starting address which is specified by the contents of memory locations \$0FFE and \$0FFF. The I-bit in the condition code register is also set.

Freescale Semiconductor, Inc.

4.3 SOFTWARE INTERRUPT (SWI)

The SWI is an executable instruction and a non-maskable interrupt since it is executed regardless of the state of the I-bit in the CCR. As with any instruction, interrupts pending during the previous instruction will be serviced before the SWI opcode is fetched. The interrupt service routine address is specified by the contents of memory locations \$0FFC and \$0FFD.

4.4 HARDWARE INTERRUPTS

All hardware interrupts except RESET are maskable by the I-bit in the CCR. If the I-bit is set, all hardware interrupts (internal and external) are disabled. Clearing the I-bit enables the hardware interrupts. There are two types of hardware interrupts which are explained in the following sections.

4.5 EXTERNAL INTERRUPT ($\overline{\text{IRQ}}$)

The $\overline{\text{IRQ}}$ pin provides an asynchronous interrupt to the CPU. A block diagram of the IRQ function is shown in **Figure 4-2**.

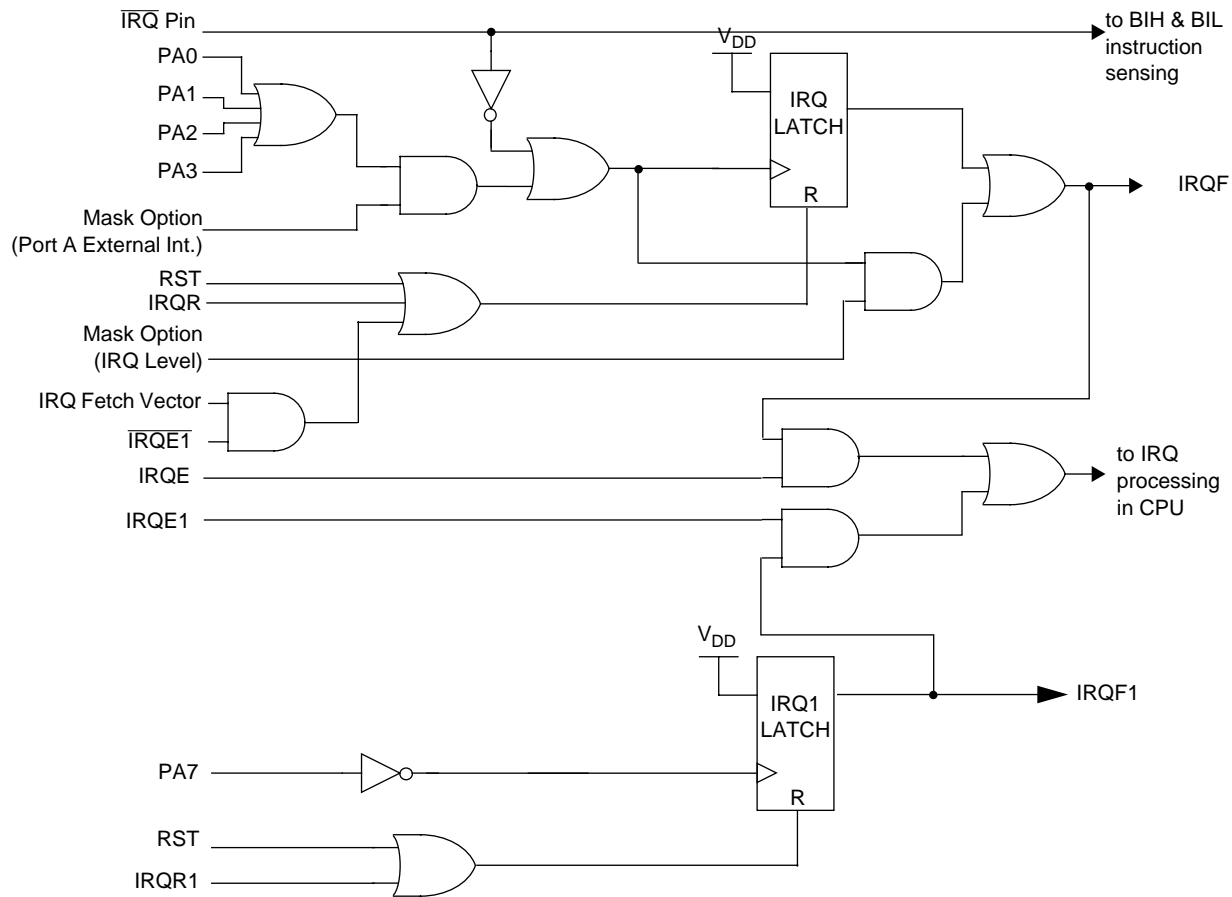


Figure 4-2. IRQ Function Block Diagram

The $\overline{\text{IRQ}}$ pin is a source of IRQ interrupts and a mask option can also enable the other four lower Port A pins (PA0 thru PA3) to act as other IRQ interrupt sources.

The last source of IRQ interrupt comes from PA7 whenever there is a falling edge on PA7 and IRQE1 is enabled. There is no mask option associated with PA7 interrupt.

Refer to **Figure 4-2** for the following descriptions. IRQ interrupt source comes from IRQ and IRQ1 latches. The IRQ latch will be set on the falling edge of the $\overline{\text{IRQ}}$ pin or on any rising edge of PA0-3 pins if PA0-3 interrupts have been enabled. The IRQ1 latch will be set on the falling edge of PA7 if PA7 interrupt has been enabled. If "edge-only" sensitivity is chosen by a mask option, only the IRQ latch output can activate an IRQF flag which creates a request to the CPU to generate the IRQ interrupt sequence. This makes the IRQ interrupt sensitive to the following cases:

1. Falling edge on the $\overline{\text{IRQ}}$ pin.
2. Rising edge on any PA0-PA3 pin with IRQ enabled (via mask option).

If level sensitivity is chosen, the rising edge signal on the clock input of the IRQ latch can also activate an IRQF flag which creates an IRQ request to the CPU to generate the IRQ interrupt sequence. This makes the IRQ interrupt sensitive to the following cases:

1. Low level on the $\overline{\text{IRQ}}$ pin.
2. Falling edge on the $\overline{\text{IRQ}}$ pin.
3. High level on any PA0- PA3 pin with IRQ enabled (via mask option).
4. Rising edge on any PA0- PA3 pin with IRQ enabled (via mask option).

The IRQE enable bit controls whether an active IRQF flag can generate an IRQ interrupt sequence. This interrupt is serviced by the interrupt service routine located at the address specified by the contents of \$0FFA and \$0FFB.

The IRQ latch is automatically cleared by entering the interrupt service routine IF IRQE1 enable bit is cleared. If IRQE1 enable bit is also set, the only way of clearing IRQF is by writing a logic one to the IRQR acknowledge bit. Writing a logic one to the IRQR acknowledge bit in the ICSR is the other way of clearing IRQF flag, regardless of the status of the IRQE1 bit, besides IRQ vector fetch. This conditional reset of IRQF flag provides a way for the user to differentiate the interrupt sources from IRQ and IRQ1 latches and also to make it J1A compatible if PA7 interrupt is not used. As long as the output state of the IRQF flag bit is active the CPU will continuously re-enter the IRQ interrupt sequence until the active state is removed or the IRQE enable bit is cleared.

PA7 interrupt source, if enabled by IRQE1 enable bit, triggers IRQ interrupt on PA7 falling edge only. The IRQ1 latch (IRQF1 flag) can ONLY be cleared by writing a logic one to the IRQR1 acknowledge bit in the ICSR. IRQ vector fetch can NOT clear IRQF1 flag. IRQ interrupt caused by PA7 falling edge also vectors to \$0FFA and \$0FFB.

4.5.1 IRQ CONTROL/STATUS REGISTER (ICSR) \$0A

The IRQ interrupt function is controlled by the ICSR located at \$000A. All unused bits in the ICSR will read as logic zeros. The IRQF, IRQF1, IRQE1 bits are cleared and IRQE bit is set by reset.

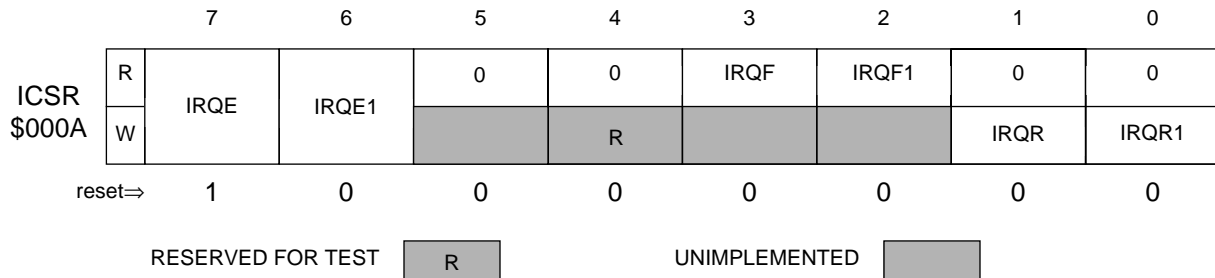


Figure 4-3. IRQ Status & Control Register

IRQR 1 - PA7 Interrupt Acknowledge

The IRQR1 acknowledge bit clears an IRQ interrupt triggered by a falling edge on PA7 by clearing the IRQ1 latch. The IRQR1 acknowledge bit will always read as a logic zero.

- 1 = Writing a logic one to the IRQR1 acknowledge bit will clear the IRQ1 latch.
- 0 = Writing a logic zero to the IRQR1 acknowledge bit will have no effect on the IRQ1 latch.

IRQR - IRQ Interrupt Acknowledge

The IRQR acknowledge bit clears an IRQ interrupt by clearing the IRQ latch. The IRQR acknowledge bit will always read as a logic zero.

- 1 = Writing a logic one to the IRQR acknowledge bit will clear the IRQ latch.
- 0 = Writing a logic zero to the IRQR acknowledge bit will have no effect on the IRQ latch.

IRQF1 - PA7 Interrupt Request Flag

Writing to the IRQF1 flag bit will have no effect on it. If the additional setting of IRQF1 flag bit is not cleared in the IRQ service routine and the IRQE1 enable bit remains set the CPU will re-enter the IRQ interrupt sequence continuously until either the IRQF1 flag bit or the IRQE1 enable bit is cleared. The IRQF1 latch is cleared by reset.

- 1 = Indicates that an IRQ request triggered by a falling edge on PA7 is pending.
- 0 = Indicates that no IRQ request triggered by a falling edge on PA7 is pending. The IRQF1 flag bit can ONLY be cleared by writing a logic one to the IRQR1 acknowledge bit. Doing so before exiting the service routine will mask out additional occurrences of the IRQF1.

IRQF - IRQ Interrupt Request Flag

Writing to the IRQF flag bit will have no effect on it. If the additional setting of IRQF flag bit is not cleared in the IRQ service routine and the IRQE enable bit remains set the CPU will re-enter the IRQ interrupt sequence continuously until either the IRQF flag bit or the IRQE enable bit is clear. The IRQF latch is cleared by reset.

- 1 = Indicates that an IRQ request is pending.
- 0 = Indicates that no IRQ request triggered by pins PA0-3 or $\overline{\text{IRQ}}$ is pending. The IRQF flag bit is cleared once the IRQ vector is fetched AND if IRQE1 is also cleared. If IRQE1 is set, then the only way of clearing IRQF flag is by writing a logic one to IRQR bit. The IRQF flag bit can be cleared, regardless of the status of the IRQE1 bit, by writing a logic one to the IRQR acknowledge bit to clear the IRQ latch and also conditioning the external IRQ sources to be inactive (if the level sensitive interrupts are enabled via mask option). Doing so before exiting the service routine will mask out additional occurrences of the IRQF.

IRQE1 - PA7 Interrupt Enable

The IRQE1 bit enables/disables the IRQF1 flag bit to initiate an IRQ interrupt sequence.

- 1 = Enables IRQF1 interrupt, that is, the IRQF1 flag bit can generate an interrupt sequence. Execution of the STOP or WAIT instructions will leave the IRQE1 bit to be UNAFFECTED.
- 0 = The IRQF1 flag bit cannot generate an interrupt sequence. Reset clears the IRQE1 enable bit, thereby disabling PA7 interrupts.

IRQE - IRQ Interrupt Enable

The IRQE bit enables/disables the IRQF flag bit to initiate an IRQ interrupt sequence.

- 1 = Enables IRQF interrupt, that is, the IRQF flag bit can generate an interrupt sequence. Reset sets the IRQE enable bit, thereby enabling IRQ interrupts once the I-bit is cleared. Execution of the STOP or WAIT instructions causes the IRQE bit to be set in order to allow the external IRQ to exit these modes.
- 0 = The IRQF flag bit cannot generate an interrupt sequence.

4.5.2 OPTIONAL EXTERNAL INTERRUPTS (PA0-PA3)

The IRQ interrupt can also be triggered by the inputs on the PA0 thru PA3 port pins if enabled by a single mask option. If enabled, the lower four bits of Port A can activate the IRQ interrupt function, and the interrupt operation will be the same as for inputs to the $\overline{\text{IRQ}}$ pin. This mask option of PA0-3 interrupt allow all of these input pins to be OR'ed with the input present on the $\overline{\text{IRQ}}$ pin. All PA0 thru PA3 pins must be selected as a group as an additional IRQ interrupt. All the PA0-3 interrupt sources are also controlled by the IRQE enable bit.

NOTE

The BIH and BIL instructions will only apply to the level on the $\overline{\text{IRQ}}$ pin itself, and not to the output of the logic OR function with the PA0 thru PA3 pins. The state of the individual Port A pins can be checked by reading the appropriate Port A pins as inputs.

NOTE

If enabled, the PA0 thru PA3 and PA7 pins will cause an IRQ interrupt regardless of whether these pins are configured as inputs or outputs.

4.5.3 TIMER INTERRUPT (MFT)

The TIMER interrupt is generated by the multi-function timer when either a timer overflow or a real time interrupt has occurred as described in **Section 8**. The interrupt flags and enable bits for the Timer interrupts are located in the Timer Control & Status Register (TCSR) located at \$0008. The I-bit in the CCR must be clear in order for the TIMER interrupt to be enabled. Either of these two interrupts will vector to the same interrupt service routine located at the address specified by the contents of memory locations \$0FF8 and \$0FF9.

4.5.4 TIMER1 INTERRUPT (16-BIT TIMER)

The Timer1 interrupt is generated by the 16-bit Timer when either a timer1 overflow or a input capture has occurred as described in **Section 9**. The interrupt flags and enable bits for the Timer1 interrupt are located in the Timer1 Control & Status Register (T1CR & T1SR) located at \$0012, \$0013. The I-bit in the CCR must be cleared in order to enable the Timer1. Either of these two interrupts will vector to the same interrupt service routine located at the address specified by the contents of memory locations \$0FF6 and \$0FF7.

Freescale Semiconductor, Inc.

GENERAL RELEASE SPECIFICATION July 16, 1999

Freescale Semiconductor, Inc.

INTERRUPTS

MC68HC05J5A
REV 2.1

SECTION 5 RESETS

The MCU can be reset from five sources: one external input and four internal restart conditions.

- Initial power up of device (power on reset)
- A logic zero applied to the $\overline{\text{RESET}}$ pin (external reset)
- Timeout of the COP watchdog (COP reset)
- Low voltage applied to the device (LVR reset)
- Fetch of an opcode from an address not in the memory map (illegal address reset)

Figure 5-1 shows a block diagram of the reset sources and their interaction.

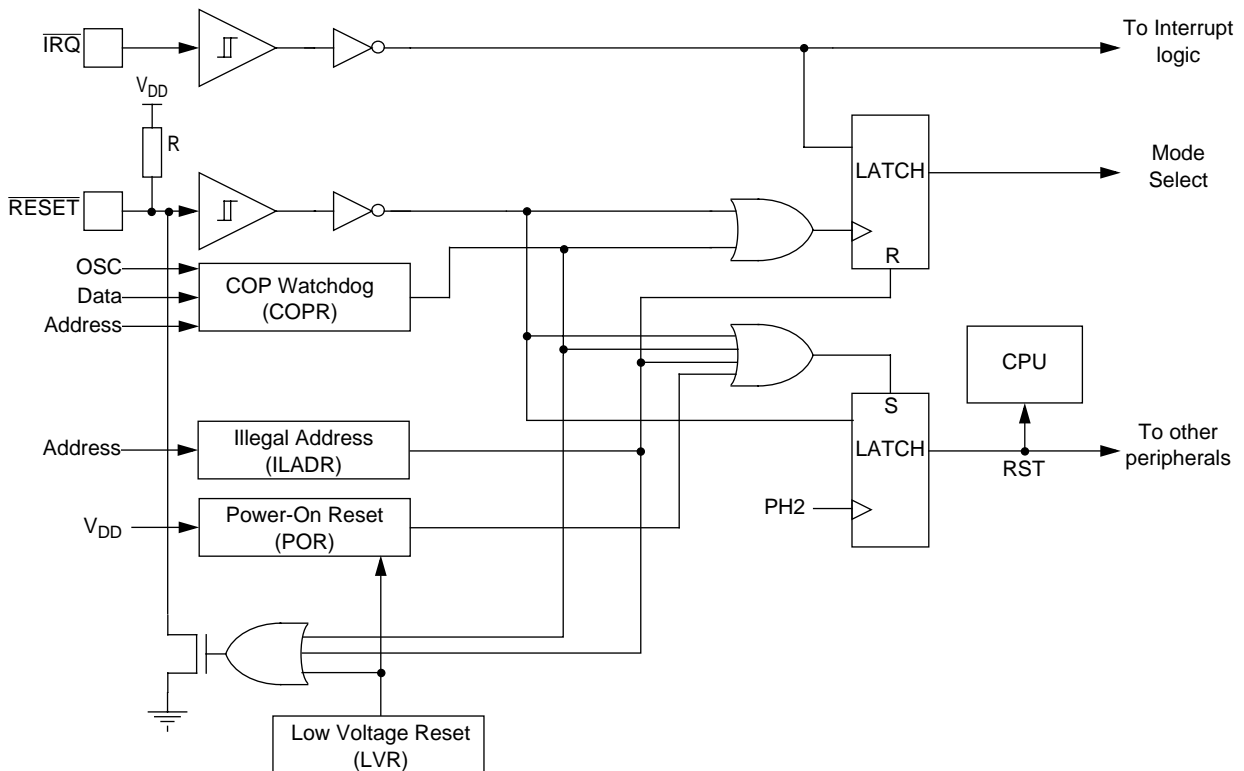


Figure 5-1. Reset Block Diagram

5.1 EXTERNAL RESET ($\overline{\text{RESET}}$)

The $\overline{\text{RESET}}$ pin is the only external source of a reset. This pin is connected to a Schmitt trigger input gate to provide an upper and lower threshold voltage separated by a minimum amount of hysteresis. This external reset occurs whenever the $\overline{\text{RESET}}$ pin is pulled below the lower threshold and remains in reset until the $\overline{\text{RESET}}$ pin rises above the upper threshold. This active low input will generate the RST signal and reset the CPU and peripherals. This pin is also an output pin whenever the LVR triggers an internal reset. Termination of the external RESET input or the internal COP Watchdog reset or LVR are the only reset sources that can alter the operating mode of the MCU.

NOTE

Activation of the RST signal is generally referred to as reset of the device, unless otherwise specified.

5.2 INTERNAL RESETS

The four internally generated resets are the initial power-on reset function, the COP Watchdog Timer reset, the illegal address detector reset and the low voltage reset (LVR). Termination of the external RESET input or the internal COP Watchdog Timer or LVR are the only reset sources that can alter the operating mode of the MCU. The other internal resets will not have any effect on the mode of operation when their reset state ends.

5.2.1 POWER-ON RESET (POR)

The internal POR is generated on power-up to allow the clock oscillator to stabilize. The POR is strictly for power turn-on conditions and is not able to detect a drop in the power supply voltage (brown-out). There is an oscillator stabilizing delay after the oscillator becomes active. The delay time could be 224 or 4064 of internal processor bus clock cycles (PH2) which is a mask option.

The POR will generate the RST signal which will reset the CPU. If any other reset function is active at the end of this delay time, the RST signal will remain in the reset condition until the other reset condition(s) end.

5.2.2 COMPUTER OPERATING PROPERLY RESET (COPR)

The internal COPR reset is generated automatically (if the COP is enabled) by a time-out of the COP Watchdog Timer. This time-out occurs if the counter in the COP Watchdog Timer is not reset (cleared) within a specific time by a software reset sequence. The COP Watchdog Timer can be disabled by a mask option. Refer to **Section 8.2** for more information on this time-out feature. COP reset also forces the $\overline{\text{RESET}}$ pin low

The COPR will generate the RST signal which will reset the CPU and other peripherals. Also, the COPR will establish the mode of operation based on the state of the $\overline{\text{IRQ}}$ pin at the time the COPR signal ends. If the voltage on the $\overline{\text{IRQ}}$ pin is at the V_{TST} level, the state of the PB0 pin during the last rising edge of the $\overline{\text{RESET}}$ pin will determine which Test Mode (Internal or Expanded) the MCU will be in. If the voltage at the $\overline{\text{IRQ}}$ pin is in the normal operating range (V_{SS} to V_{DD}), the MCU will enter Single-Chip Mode when the COPR signal ends. If any other reset function is active at the end of the COPR reset signal, the RST signal will remain in the reset condition until the other reset condition(s) end.

5.2.3 LOW VOLTAGE RESET (LVR)

The internal LVR reset is generated when V_{DD} falls below the specified LVR trigger value V_{LVR} for at least one t_{CYC} . In typical applications, the power supply decoupling circuit will eliminate negative-going voltage glitches of less than one t_{CYC} . This reset will hold the MCU in the reset state until V_{DD} rises above V_{LVR} . Whenever V_{DD} is above V_{LVR} and below 4.5V, the MCU is guaranteed to operate although not within specification. The output from the LVR is connected directly to the internal reset circuitry and also forces the $\overline{\text{RESET}}$ pin low. The internal reset will be removed once the power supply voltage rises above V_{LVR} , at which time a normal power-on-reset sequence occurs.

5.2.4 ILLEGAL ADDRESS RESET (ILADR)

The internal ILADR reset is generated when an instruction opcode fetch occurs from an address which is not implemented in the RAM (\$0080 - \$00FF) nor ROM (\$0300-\$0CFF, \$0E00-\$0FFF). The ILADR will generate the RST signal which will reset the CPU and other peripherals. If any other reset function is active at the end of the ILADR reset signal, the RST signal will remain in the reset condition until the other reset condition(s) end. Notice that ILADR also forces the $\overline{\text{RESET}}$ pin low.

Freescale Semiconductor, Inc.

GENERAL RELEASE SPECIFICATION July 16, 1999

Freescale Semiconductor, Inc.

RESETS

MC68HC05J5A
REV 2.1

5-4

**For More Information On This Product,
Go to: www.freescale.com**

SECTION 6 LOW POWER MODES

There are three modes of operation that reduce power consumption:

- Stop mode
- Wait mode
- Halt mode

The WAIT and STOP instructions provide two power saving modes by stopping various internal modules and/or the on-chip oscillator. The STOP and WAIT instructions are not normally used if the COP Watchdog Timer is enabled. A mask option is provided to convert the STOP instruction to a HALT, which is a WAIT-like instruction that does not halt the COP Watchdog Timer but has a recovery delay. The flow of the STOP, HALT, and WAIT modes are shown in **Figure 6-1**.

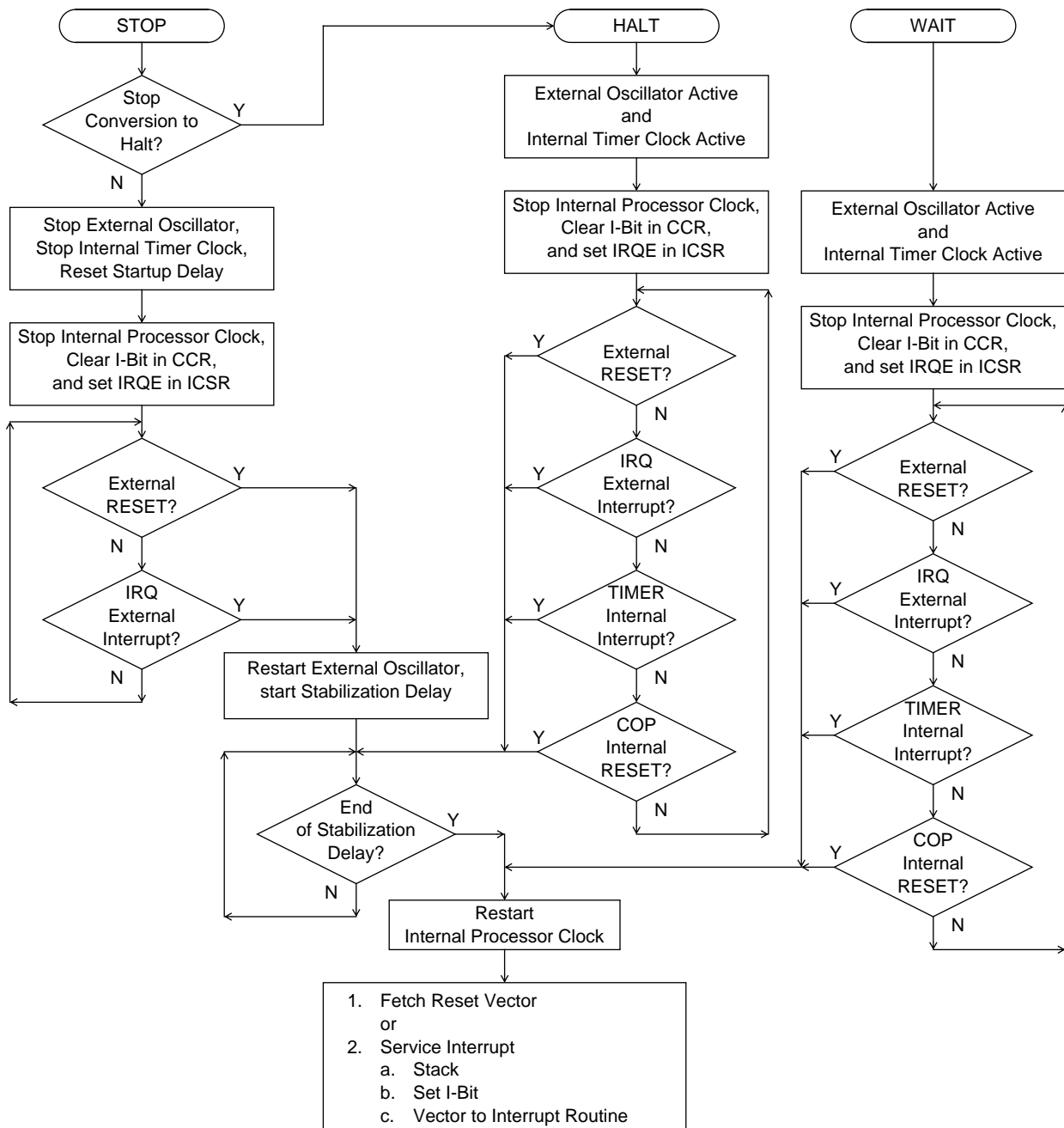


Figure 6-1. STOP/HALT/WAIT Flowcharts

6.1 STOP INSTRUCTION

The STOP instruction can result in one of two modes of operation depending on the STOP mask option chosen. One option is for the STOP instruction to operate like the STOP in normal MC68HC05 family members and place the device in the

STOP Mode. The other option is for the STOP instruction to behave like a WAIT instruction (except that the restart time will involve a delay) and place the device in the HALT Mode.

6.1.1 STOP Mode

Execution of the STOP instruction in this mode (selected by a mask option) places the MCU in its lowest power consumption mode. In the STOP Mode the internal oscillator is turned off, halting all internal processing, including the COP Watchdog Timer.

When the CPU enters STOP Mode the interrupt flags (TOF and RTIF) and the interrupt enable bits (TOFE and RTIE) in the TCSR are cleared by internal hardware to remove any pending timer interrupt requests and to disable any further timer interrupts. Execution of the STOP instruction automatically clears the I-bit in the Condition Code Register and sets the IRQE enable bit in the IRQ Control/Status Register so that the IRQ external interrupt is enabled. All other registers, including the other bits in the TCSR, and memory remain unaltered. All input/output lines remain unchanged.

The MCU can be brought out of the STOP Mode only by an IRQ external interrupt or an externally generated RESET or an LVR reset. When exiting the STOP Mode the internal oscillator will resume after a 224 or 4064 internal processor clock cycle oscillator stabilizing delay which is selected by a mask option.

NOTE

Execution of the STOP instruction with the STOP Mode Mask Option will cause the oscillator to stop and therefore disable the COP Watchdog Timer. If the COP Watchdog Timer is to be used, the STOP Mode should be changed to the HALT Mode by choosing the appropriate mask option. See **Section 6.4** for more details.

6.1.2 HALT Mode

Execution of the STOP instruction in this mode (selected by a mask option) places the MCU in a low-power mode, which consumes more power than the STOP Mode. In the HALT Mode the internal processor clock is halted, suspending all processor and internal bus activity. Internal timer clocks remain active, permitting interrupts to be generated from the timer (MFT or Timer 1) or a reset to be generated from the COP Watchdog Timer. Execution of the STOP instruction automatically clears the I-bit in the Condition Code Register and sets the IRQE enable bit in the IRQ Control/Status Register so that the IRQ external interrupt is enabled. All other registers, memory, and input/output lines remain in their previous states.

The HALT Mode may be terminated by a Timer interrupt, an external IRQ, an LVR reset, or external RESET occurs. Since the internal timer is still running in the HALT mode, the wake up delay timer (oscillator stabilizing delay timer) may start counting from an unknown value. So, the internal processor clock will resume

after a varied delay time which is from one to 224 or 4064 internal processor clock cycles (the POR delay time). The HALT Mode is not intended for normal use, but is provided to keep the COP Watchdog Timer active should the STOP instruction opcode be inadvertently executed.

6.2 WAIT INSTRUCTION

The WAIT instruction places the MCU in a low-power mode, which consumes more power than the STOP Mode. In the WAIT Mode the internal processor clock is halted, suspending all processor and internal bus activity. Internal timer clocks remain active, permitting interrupts to be generated from the timer or a reset to be generated from the COP Watchdog Timer. Execution of the WAIT instruction automatically clears the I-bit in the Condition Code Register and sets the IRQE enable bit in the IRQ Control/Status Register so that the IRQ external interrupt is enabled. All other registers, memory, and input/output lines remain in their previous states.

If timer (MFT or Timer 1) interrupts are enabled, a TIMER interrupt will cause the processor to exit the WAIT Mode and resume normal operation. The Timer may be used to generate a periodic exit from the WAIT Mode. The WAIT Mode may also be exited when an external IRQ or an LVR reset or an external RESET occurs.

6.3 DATA-RETENTION MODE

If the LVR mask option is selected and since LVR kicks in whenever V_{DD} is below the specified LVR trigger voltage which is higher than that required of the Data Retention mode, the Data Retention mode will not exist. Data Retention Mode is only meaningful if LVR mask option is not selected.

The contents of RAM and CPU registers are retained at supply voltage as low as 2.0 VDC. This is called the data-retention mode where the data is held, but the device is not guaranteed to operate. The $\overline{\text{RESET}}$ pin must be held low during data-retention mode.

6.4 COP WATCHDOG TIMER CONSIDERATIONS

The COP Watchdog Timer is active in all modes of operation if enabled by a mask option. Thus, emulation of applications that do not service the COP should only be done with devices that have the COP Mask Option disabled.

If the COP Watchdog Timer is selected by the mask option, any execution of the STOP instruction (either intentional or inadvertent due to the CPU being disturbed) will cause the oscillator to halt and prevent the COP Watchdog Timer from timing out unless the STOP to HALT conversion feature is enabled. Therefore, it is recommended that the STOP instruction should be converted to a HALT instruction if the COP Watchdog Timer is enabled.

If the COP Watchdog Timer is selected by the mask option, the COP will reset the MCU when it times out. Therefore, it is recommended that the COP Watchdog should be disabled for a system that must have intentional uses of the WAIT Mode for periods longer than the COP time-out period.

The recommended interactions and considerations for the COP Watchdog Timer, STOP instruction, and WAIT instruction are summarized in **Table 6-1**.

Table 6-1. COP Watchdog Timer Recommendations

IF the following conditions exist:		THEN the COP Watchdog Timer should be as follows:
STOP Instruction	WAIT Time	
converted to HALT by mask option	WAIT Time less than COP Time-Out	Enable or disable COP by mask option
converted to HALT by mask option	WAIT Time more than COP Time-Out	Disable COP by mask option
Acts as STOP	any length WAIT Time	Disable COP by mask option

Freescale Semiconductor, Inc.

GENERAL RELEASE SPECIFICATION July 16, 1999

Freescale Semiconductor, Inc.

LOW POWER MODES

MC68HC05J5A
REV 2.1

6-6

**For More Information On This Product,
Go to: www.freescale.com**

SECTION 7 INPUT/OUTPUT PORTS

In the normal operating mode there are 14 usable bidirectional I/O lines arranged as one 8-bit I/O port (Port A), and one 6-bit I/O port (Port B). The individual bits in these ports are programmable as either inputs or outputs under software control by the data direction registers (DDR's). Also, if enabled by a single mask option all Port A and Port B I/O pins may have individual software programmable pull-down or pull-up devices. Also, PA4-PA7 and PB1-PB2 pins have high current sink capability; PA0-PA3 may function as additional \overline{IRQ} interrupt input sources. Note that both PA6 and PA7 pins have Schmitt trigger input for better noise immunity. V_{IH} and V_{IL} specified at 2.4V and 0.8V, respectively.

The four port pins, PB2-PB5 are only available on the 20-pin version of the device.

7.1 SLOW OUTPUT FALLING-EDGE TRANSITION

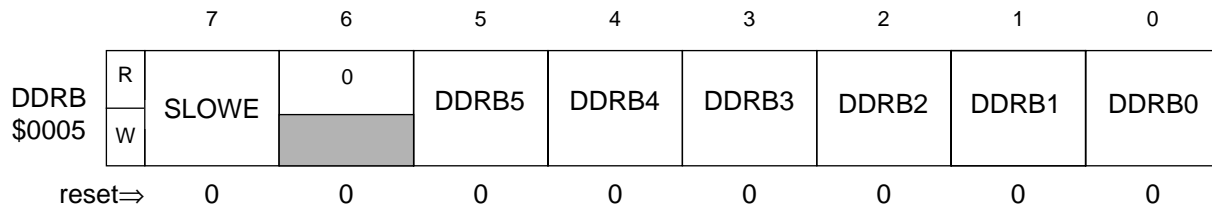


Figure 7-1. Port B Data Direction Register

SLOWE - Slow Transition Enable

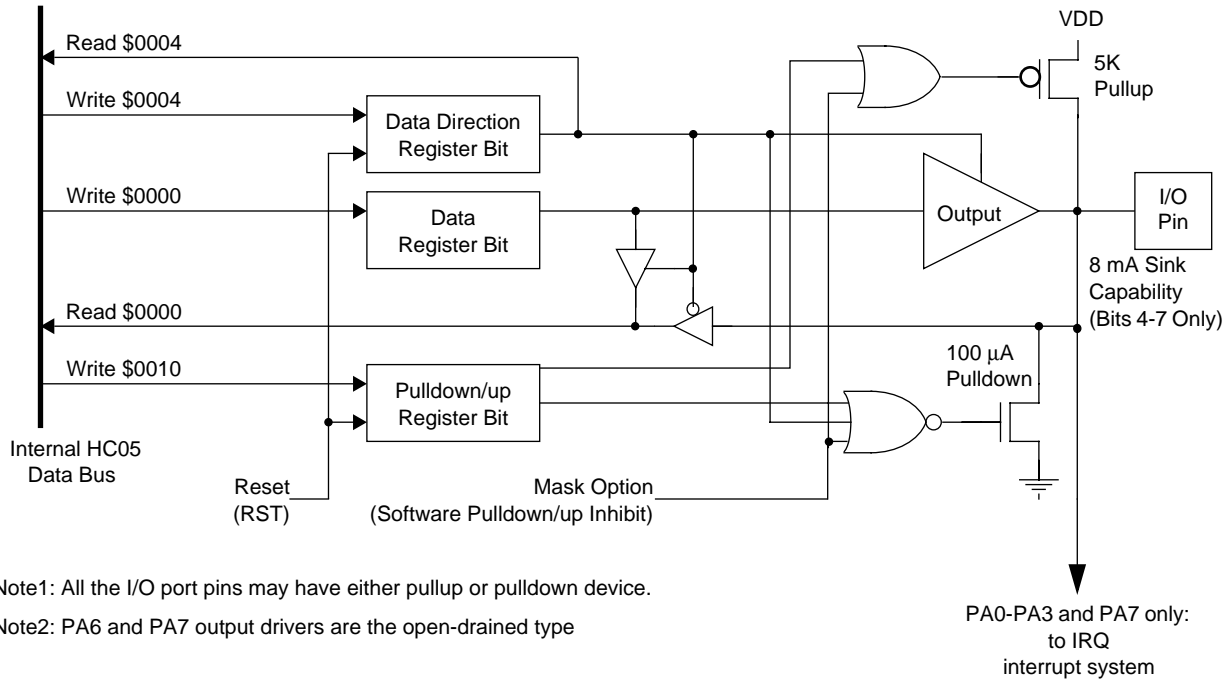
The slow transition feature is controlled by the SLOWE bit of DDRB (Port B Data Direction Register).

- 1 = Enables the slow falling-edge output transition feature on the four I/O lines: PA6, PA7, PB1, and PB2. If the pin is configured as an output pin.
- 0 = Disables slow falling-edge output transition feature on the four I/O lines: PA6, PA7, PB1, and PB2. Default value of SLOWE bit is cleared.

7.2 PORT A

Port A is a 8-bit bidirectional port which shares five of its pins with the IRQ interrupt system as shown in **Figure 7-2**. Note that both PA6 and PA7 pins have Schmitt trigger input for better noise immunity. Only the PA6 and PA7 pins are open-drained type with slow output transition feature.

Each Port A pin is controlled by the corresponding bits in a data direction register, a data register and a pulldown/up register. The Port A Data Register is located at address \$0000. The Port A Data Direction Register (DDRA) is located at address \$0004. The Port A Pulldown/up Register (PDURA) is located at address \$0010. Reset operation will clear the DDRA and the PDURA. The Port A Data Register is unaffected by reset.



Note1: All the I/O port pins may have either pullup or pulldown device.
 Note2: PA6 and PA7 output drivers are the open-drained type

Figure 7-2. Port A I/O Circuitry

7.2.1 Port A Data Register

Each Port A I/O pin has a corresponding bit in the Port A Data Register. When a Port A pin is programmed as output, the corresponding data register bit determines the logic state of that pin. When a Port A pin is programmed as input, any read from the Port A Data Register will return the logic state of the corresponding I/O pin. The Port A data register is unaffected by reset.

7.2.2 Port A Data Direction Register

Each Port A I/O pin may be programmed as input by clearing the corresponding bit in the DDRA, or programmed as output by setting the corresponding bit in the DDRA. The DDRA can be accessed at address \$0004. The DDRA is cleared by reset.

If configured as output pins, PA6 and PA7 have slow output falling-edge transition feature. The slow transition feature is controlled by the SLOWE bit of DDRB. SLOWE bit, if set and if the pin is configured as an output pin, enables the slow falling-edge output transition feature of all four I/O lines, PA6, PA7, PB1, and PB2.

Freescale Semiconductor, Inc.

7.2.3 Port A Pulldown/up Register

All Port A I/O pins may have software programmable pulldown/up devices enabled by the applicable mask option. If the pulldown/up mask option is selected, the pulldown/up is activated whenever the corresponding bit in the PDURA is clear. If the corresponding bit in the PDURA bit is set or the mask option for pulldown/up is not chosen, the pulldown/up will be disabled. A pulldown on an I/O pin is activated only if the I/O pin is programmed as an input whereas a pullup device on an I/O pin is always activated whenever enabled, regardless of port direction.

The PDURA is a write-only register. Any reads of location \$0010 will return undefined results. Since reset clears both the DDRA and the PDURA, all pins will initialize as inputs with the pulldown active and pullup devices active (if enabled by mask option).

Typical value of port A pullup is 5K Ω .

7.2.4 Port A Drive Capability

The outputs for the upper four bits of Port A (PA4, PA5, PA6 and PA7) are capable of sinking approximately 8mA of current to V_{SS} .

7.2.5 Port A I/O Pin Interrupts

The inputs to PA0, PA1, PA2, PA3 may be connected to the IRQ input of the CPU if enabled by a mask option. The input to PA7 is also connected to the IRQ input of the CPU, yet it is only enabled or disabled by software, not by mask option. PA7 interrupt capability is controlled by a set of control and status bits (IRQE1, IRQF1, IRQR1), different from the set of control and status bits for that of PA0-PA3 and \overline{IRQ} pin (IRQE, IRQF, IRQR) in the same ICSR (Interrupt Control and Status Register).

When connected as an alternate source of an IRQ interrupt, PA0-3 input pins will behave the same as the \overline{IRQ} pin itself, except that their active state is a logical one or a rising edge. The \overline{IRQ} pin has an active state that is a logical zero or a falling edge. PA7 interrupt occurs, if enabled, only upon the falling edge at the input.

If mask options for both level and edge sensitivity interrupts are chosen, the presence of a logic one or occurrence of a rising edge on any one of the lower four Port A pins will cause an IRQ interrupt request. If the edge-only sensitivity is selected, the occurrence of a rising edge on any one of the lower four Port A pins will cause an IRQ interrupt request. As long as any one of the lower four Port A IRQ inputs remains at a logic one level, the other of the lower four Port A IRQ inputs are effectively ignored.

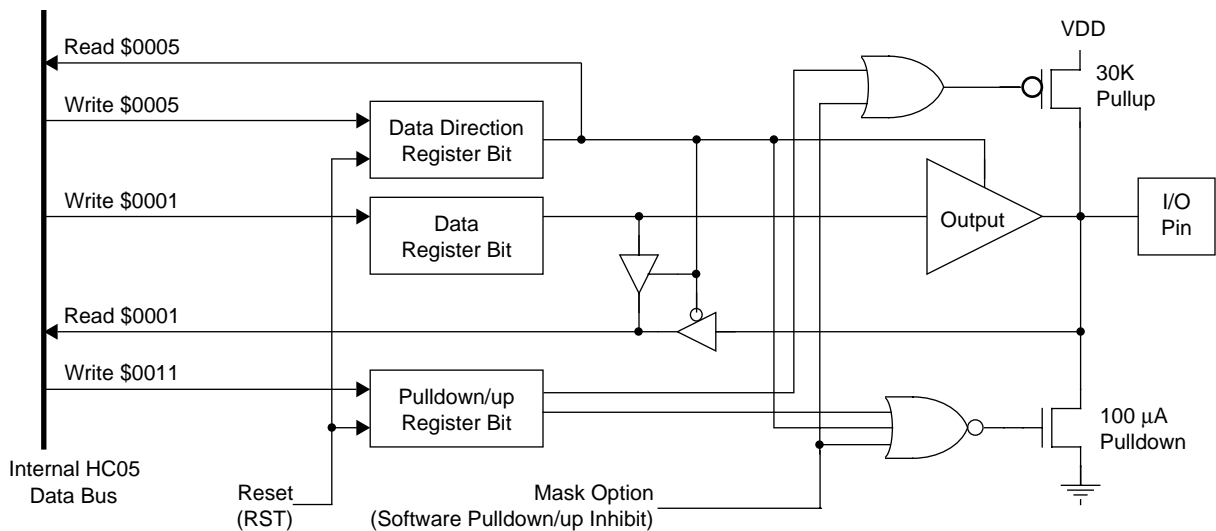
NOTE

The BIH and BIL instructions will only apply to the level on the \overline{IRQ} pin itself, and not to the internal IRQ input to the CPU. Therefore BIH and BIL cannot be used to test the state of the lower four Port A input pins as a group nor that of PA7.

7.3 PORT B

Port B is a 6-bit bidirectional port which functions as shown in **Figure 7-3**. Only PB1 and PB2 are of open-drained type. Each Port B pin is controlled by the corresponding bits in a data direction register, a data register and a pulldown/up register. The Port B Data Register is located at address \$0001. The Port B Data Direction Register (DDRB) is located at address \$0005. The Port B Pulldown/up Register (PDURB) is located at address \$0011. Reset clears the DDRB and the PDURB. The Port B Data Register is unaffected by reset.

Please note that only PB0 and PB1 pins are bonded out in the 16-pin package type. Actually, the PB1 and PB2 I/O port lines are short and bonded to the PB1 on the 16-pin package. Both PB1 and PB2 are of open-drained type, capable of typically sinking 25mA current at V_{OL} 0.5V max. In order to constitute a single pin capable of typically sinking 50mA, both PB1 and PB2 have to be written with the same value at the same write cycle.



Note1: All the I/O port pins may have either pullup or pulldown device.

Note2: PB1 and PB2 output drivers are the open-drained type

Figure 7-3. Port B I/O Circuitry

Port Pin PB0 is shared with TCAP input of the 16-Timer input capture function. The input capture function can be programmed for a positive edge or the negative edge TCAP input. When an expected edge is generated on this pin, the counter value at that moment will be captured into a capture register. For the details about this feature please refer to the **Section 9**.

7.3.1 Port B Data Register

All Port B I/O pins have a corresponding bit in the Port B Data Register. When a Port B pin is programmed as output the corresponding data register bit determines the logic state of the output pin. When a Port B pin is programmed as input, any read from the Port B Data Register will return the logic state of the

corresponding I/O pin. The Port B data register is unaffected by reset. Unused bits 6 and 7 will always read as logic zeros, and any write to these bits will be ignored. The Port B data register is unaffected by reset.

7.3.2 Port B Data Direction Register

Port B I/O pins may be programmed as an input by clearing the corresponding bit in the DDRB, or programmed as an output by setting the corresponding bit in the DDRB. The DDRB can be accessed at address \$0005. Unused bits 6 and 7 will always read as logic zeros, and any write to these bits will be ignored. The DDRB is cleared by reset.

If configured as output pins, PB1 and PB2 have slow output falling-edge transition feature. The slow transition feature is controlled by the SLOWE bit of DDRB. SLOWE bit, if set and if the pin is configured as an output pin, enables the slow falling-edge output transition feature of all four I/O lines, PA6, PA7, PB1 and PB2.

For the 16-pin package type, care should be taken in using PB1 pin, which is bonded to two internal port B I/O lines PB1 and PB2, to constitute a 50mA current sinking driver. Both PB1 and PB2 I/O lines are capable of sinking 25mA. If they are written with the same logic 0 value in the same write cycle, PB1 pin will sink 50 mA. If they are written with different values in the same write cycle, PB1 pin will sink only 25mA.

For the 20-pin package type, I/O lines PB1 and PB2 are not bonded to the same pin. Hence, to constitute a 50mA current sinking driver, PB1 and PB2 pins have to be tied together externally and controlled in the same way as in the 16-pin package type case.

Also, if the slow transition feature of pin PB1 is enabled, a combination of I/O lines PB1 and PB2, is also a combination of slow transition features of I/O lines PB1 and PB2. PB2 line falling-edge output transition occurs $t_{CYC}/2$ after the write cycle, with a standard I/O edge transition time. Whereas for PB1 line, the falling-edge transition occurring immediately after the write cycle, but with an edge transition time slower than standard I/Os, similar to PA6 and PA7 pins.

The net result is, for the 16-pin package type, since both PB1 and PB2 I/O lines are bonded to the same PB1 pin, the combination of delayed PB1 line sharp-edge output and the non-delayed slow transition output yields the desired slow output falling-edge transition.

For the 20-pin package, PB1 and PB2 pins should be tied externally to create a driver with the desired slow output falling-edge transition feature. If SLOWE is set and PB2 pin is not tied to PB1 pin, be advised that the output at PB2 changes state $t_{CYC}/2$ after the write cycle.

7.3.3 Port B Pulldown/up Register

All Port B I/O pins may have software programmable pulldown/up devices enabled by a mask option. If the pulldown/up mask option is selected, the pulldown/up is activated whenever the corresponding bit in the PDURB is clear. A pulldown on an

I/O pin is activated only if the I/O pin is programmed as an input whereas a pullup device on an I/O pin is always activated whenever enabled, regardless of port direction.

The PDURB is a write-only register. Any reads of location \$0011 will return undefined results. Since reset clears both the DDRB and the PDURB, all pins will initialize as inputs with the pulldown devices active and pullup devices active (if chosen via mask option).

Typical value of port B pullup is 30K Ω .

7.4 I/O PORT PROGRAMMING

All I/O pins can be programmed as inputs or outputs, with or without pulldown/up devices.

7.4.1 Pin Data Direction

The direction of a pin is determined by the state of its corresponding bit in the associated port Data Direction Register (DDR). A pin is configured as an output if its corresponding DDR bit is set to a logic one. A pin is configured as an input if its corresponding DDR bit is cleared to a logic zero.

The data direction bits DDRB0-DDRB5 and DDRA0-DDRA7 are read/write bits which can be manipulated with read-modify-write instructions. At power-on or reset, all DDRs are cleared which configures all port pins as inputs. If the pulldown/up mask option is chosen, all pins will initially power-up with their software programmable pulldowns/ups enabled.

7.4.2 Output Pin

When an I/O pin is programmed as an output pin, the state of the corresponding data register bit will determine the state of the pin. The state of the data register bits can be altered by writing to address \$0000 for Port A and address \$0001 for Port B. Reads of the corresponding data register bit at address \$0000 or \$0001 will return the state of the data register bit (not the state of the I/O pin itself). Therefore bit manipulation is possible on all pins programmed as outputs.

If the corresponding bit in the pulldown/up register is clear (and the pulldown/up mask option is chosen), only output pins with pullups have an activated pullup device connected to the pin. For those pins with pulldowns and configured as output pins, the pulldowns will be inactivated regardless of the state of the corresponding pulldown/up register bit. Since the pulldown/up register bits are write-only, bit manipulation should not be used on these register bits.

7.4.3 Input Pin

When an I/O pin is programmed as an input pin, the state of the pin can be determined by reading the corresponding data register bit. Any writes to the corresponding data register bit for an input pin will be ignored in the sense that the written value will not be reflected on the pin, rather it is only reflected in the port data register. Please refer to **Table 7-1** and **Table 7-2** for details.

If the corresponding bit in the pulldown/up register is clear (and the pulldown/up mask option is chosen) the input pin will also have an activated pulldown/up device. Since the pulldown/up register bits are write-only, bit manipulation should not be used on these register bits.

7.4.4 I/O Pin Transitions

A "glitch" can be generated on an I/O pin when changing it from an input to an output unless the data register is first preconditioned to the desired state before changing the corresponding DDR bit from a zero to a one.

If pulldowns are enabled by mask option, a floating input can be avoided by clearing the pulldown/up register bit before changing the corresponding DDR from a one to a zero. This will insure that the pulldown device will be activated before the I/O pin changes from a driven output to a pulled low/high input.

7.4.5 I/O Pin Truth Tables

Every pin on Port A and Port B may be programmed as an input or an output under software control as shown in **Table 7-1** and **Table 7-2**. All port I/O pins may also have software programmable pulldown/up devices if selected by the appropriate mask option.

Table 7-1. Port A I/O Pin Functions

DDRA	I/O Pin Mode	Accesses to PDURA at \$0010		Accesses to DDRA @ \$0004	Accesses to Data Register @ \$0000	
		Read	Write	Read/Write	Read	Write
0	IN, Hi-Z	U	PDURA0-7	DDRA0-7	I/O Pin PA0-7	*
1	OUT	U	PDURA0-7	DDRA0-7		PA0-7

U is undefined

* Does not affect input, but stored to data register

Table 7-2. Port B I/O Pin Functions

DDRB	I/O Pin Mode	Accesses to PDURB at \$0011		Accesses to DDRB @ \$0005	Accesses to Data Register @ \$0001	
		Read	Write	Read/Write	Read	Write
0	IN, Hi-Z	U	PDURB0-2	DDRB0-2	I/O Pin PB0-5	*
1	OUT	U	PDURB0-2	DDRB0-2		PB0-5

U is undefined

* Does not affect input, but stored to data register

Freescale Semiconductor, Inc.

GENERAL RELEASE SPECIFICATION July 16, 1999

Freescale Semiconductor, Inc.

SECTION 8 MULTI-FUNCTION TIMER

The Multi-Function Timer module is a 15-stage ripple counter with Timer Over Flow (TOF), Real Time Interrupt (RTI), COP Watchdog, and the Power-On Reset delay function.

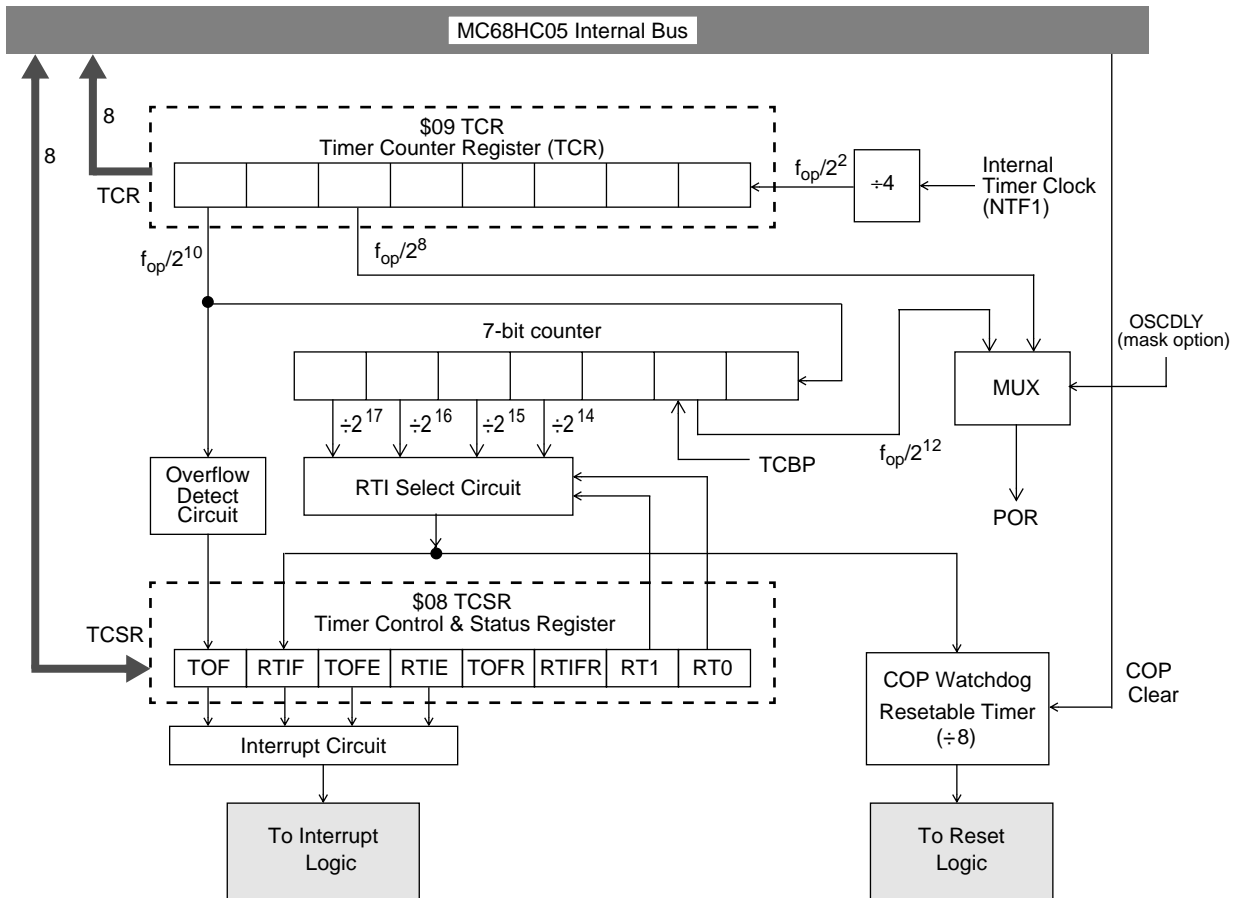


Figure 8-1. Multi-Function Timer Block Diagram

8.1 OVERVIEW

As shown in **Figure 8-1**, the Timer is driven by the timer clock, NTF1, divided by four. NTF1 has the same phase and frequency as the processor bus clock, PH2, but is not stopped by the WAIT or HALT Modes. This signal drives an 8-bit ripple counter. The value of this 8-bit ripple counter can be read by the CPU at any time by accessing the Timer Counter Register (TCR) at address \$09. A timer overflow function is implemented on the last stage of this counter, giving a possible interrupt at the rate of $f_{op}/1024$. The POR function is generated at $f_{op}/224$ stage or at $f_{op}/4064$ stage, which is selected by a mask option.

The last stage of the 8-bit counter also drives a further 7-bit counter. The final four stages is used by the RTI circuit, giving possible RTI rates of $f_{OP}/2^{14}$, $f_{OP}/2^{15}$, $f_{OP}/2^{16}$ or $f_{OP}/2^{17}$, selected by RT1 and RT0 (see **Table 8-1**). The RTI rate selector bits, and the RTI and TOF enable bits and flags are located in the Timer Control and Status Register at location \$08.

The power-on cycle clears the entire counter chain and begins clocking the counter. After 224 or 4064 cycles, the power-on reset circuit is released which again clears the counter chain and allows the device to come out of reset. At this point, if \overline{RESET} is not asserted, the timer will start counting up from zero and normal device operation will begin. If \overline{RESET} is asserted at any time during operation the counter chain will be cleared.

8.2 COMPUTER OPERATING PROPERLY (COP) WATCHDOG

The COP Watchdog is enabled by a mask option.

The COP Watchdog Timer function is implemented by using the output of the RTI circuit and further dividing it by eight. The minimum COP reset rates are listed in **Table 8-1**. If the COP circuit times out, an internal reset is generated and the normal reset vector is fetched.

Preventing a COP time-out is done by writing a "0" to bit-0 of address \$0FF0. When the COP is cleared, only the final divide by eight stage (output of the RTI) is cleared.

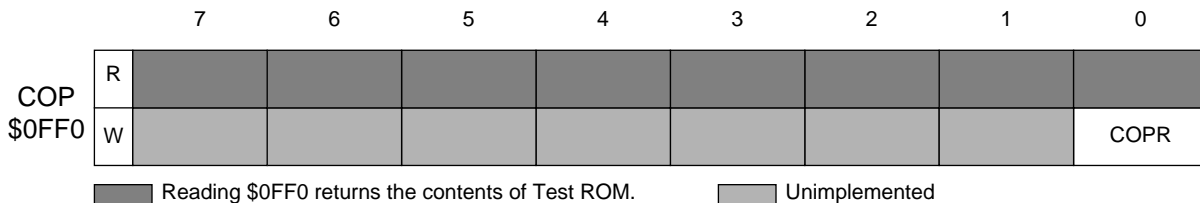


Figure 8-2. COP Watchdog Timer Location

8.3 MFT REGISTERS

The 15-stage Multi-function Timer contains two registers: a Timer Counter Register and a Timer Control/Status Register.

8.3.1 Timer Counter Register (TCR) \$09

The Timer Counter Register is a read-only register which contains the current value of the 8-bit ripple counter at the beginning of the timer chain. This counter is clocked at f_{op} divided by 4 and can be used for various functions including a software input capture. Extended time periods can be attained using the TOF function to increment a temporary RAM storage location thereby simulating a 16-bit (or more) counter. The value of each bit of the TCR is shown in **Figure 8-3**. This register is cleared by reset.

		7	6	5	4	3	2	1	0
TCR \$09	R	TMR7	TMR6	TMR5	TMR4	TMR3	TMR2	TMR1	TMR0
	W								
Reset ⇒		0	0	0	0	0	0	0	0

Figure 8-3. Timer Counter Register

8.3.2 Timer Control/Status Register (TCSR) \$08

The TCSR contains the timer interrupt flag bits, the timer interrupt enable bits, and the real time interrupt rate select bits. Bit 2 and bit 3 are write-only bits which will read as logical zeros. **Figure 8-4** shows the value of each bit in the TCSR following reset.

		7	6	5	4	3	2	1	0
TCSR \$08	R	TOF	RTIF	TOFE	RTIE	0	0	RT1	RT0
	W					TOFR	RTIFR		
Reset ⇒		0	0	0	0	0	0	1	1

Figure 8-4. Timer Control/Status Register (TCSR)

TOF - Timer Overflow Flag

The TOF is a read-only flag bit.

- 1 = Set when the 8-bit ripple counter rolls over from \$FF to \$00. A TIMER Interrupt request will be generated if TOFE is also set.
- 0 = Reset by writing a logical one to the TOF acknowledge bit, TOFR. Writing to the TOF flag bit has no effect on its value. This bit is cleared by reset.

RTIF - Real Time Interrupt Flag

The RTIF is a read-only flag bit.

- 1 = Set when the output of the chosen (1 of 4 selections) Real Time Interrupt stage goes active. A TIMER Interrupt request will be generated if RTIE is also set.
- 0 = Reset by writing a logical one to the RTIF acknowledge bit, RTIFR. Writing to the RTIF flag bit has no effect on its value. This bit is cleared by reset.

TOFE - Timer Overflow Enable

The TOFE is an enable bit that allows generation of a TIMER Interrupt upon overflow of the Timer Counter Register.

- 1 = When set, the TIMER Interrupt is generated when the TOF flag bit is set.
- 0 = When cleared, no TIMER interrupt caused by TOF bit set will be generated. This bit is cleared by reset.

RTIE - Real Time Interrupt Enable

The RTIE is an enable bit that allows generation of a TIMER Interrupt by the RTIF bit.

- 1 = When set, the TIMER Interrupt is generated when the RTIF flag bit is set.
- 0 = When cleared, no TIMER interrupt caused by RTIF bit set will be generated. This bit is cleared by reset.

TOFR - Timer Overflow Acknowledge

The TOFR is an acknowledge bit that resets the TOF flag bit. This bit is unaffected by reset. Reading the TOFR will always return a logical zero.

- 1 = Clears the TOF flag bit.
- 0 = Does not clear the TOF flag bit.

RTIFR - Real Time Interrupt Acknowledge

The RTIFR is an acknowledge bit that resets the RTIF flag bit. This bit is unaffected by reset. Reading the RTIFR will always return a logical zero.

- 1 = Clears the RTIF flag bit.
- 0 = Does not clear the RTIF flag bit.

RT1, RT0 - Real Time Interrupt Rate Select

The RT0 and RT1 control bits select one of four taps for the Real Time Interrupt circuit. **Table 8-1** shows the available interrupt rates for two f_{op} values. Both the RT0 and RT1 control bits are set by reset, selecting the lowest periodic rate and therefore the maximum time in which to alter these bits if necessary. Care should be taken when altering RT0 and RT1 if the time-out period is imminent or uncertain. If the selected tap is modified during a cycle in which the counter is switching, an RTIF could be missed or an additional one could be generated. To avoid problems, the COP should be cleared just prior to changing RTI taps.

Table 8-1. RTI Rates and COP Reset Times

RT1	RT0	RTI Rates at f _{OP} Freq. specified:			Min. COP Reset at f _{OP} Freq. specified:		
		Divider	1 MHz	2MHz	Divider	1 MHz	2MHz
0	0	16384	16.384ms	8.192ms	131072	131ms	66ms
0	1	32768	32.768ms	16.384ms	262144	262ms	131ms
1	0	65536	65.536ms	32.768ms	524288	524ms	262ms
1	1	131072	131.072ms	65.536ms	1048576	1059ms	524ms

8.4 OPERATION DURING STOP MODE

The timer system is cleared when going into STOP mode. When STOP is exited by an external interrupt or an LVR reset or an external $\overline{\text{RESET}}$, the internal oscillator will resume, followed by a 224 (or 4064) internal processor oscillator stabilizing delay. The timer system counter is then cleared and operation resumes. If chosen by a mask option, the STOP instruction will initiate HALT mode and the effects on the timer are as described in **Section 8.5**.

8.5 OPERATION DURING WAIT/HALT MODE

The CPU clock halts during the WAIT/HALT mode, but the timer remains active. If interrupts are enabled, a timer interrupt or custom periodic interrupt will cause the processor to exit the WAIT/HALT mode.

Freescale Semiconductor, Inc.

GENERAL RELEASE SPECIFICATION July 16, 1999

Freescale Semiconductor, Inc.

SECTION 9 16-BIT TIMER

This 16-bit Timer (Timer1) is a Programmable Timer with an Input Capture function. **Figure 9-1** shows a block diagram of the 16-bit programmable timer.

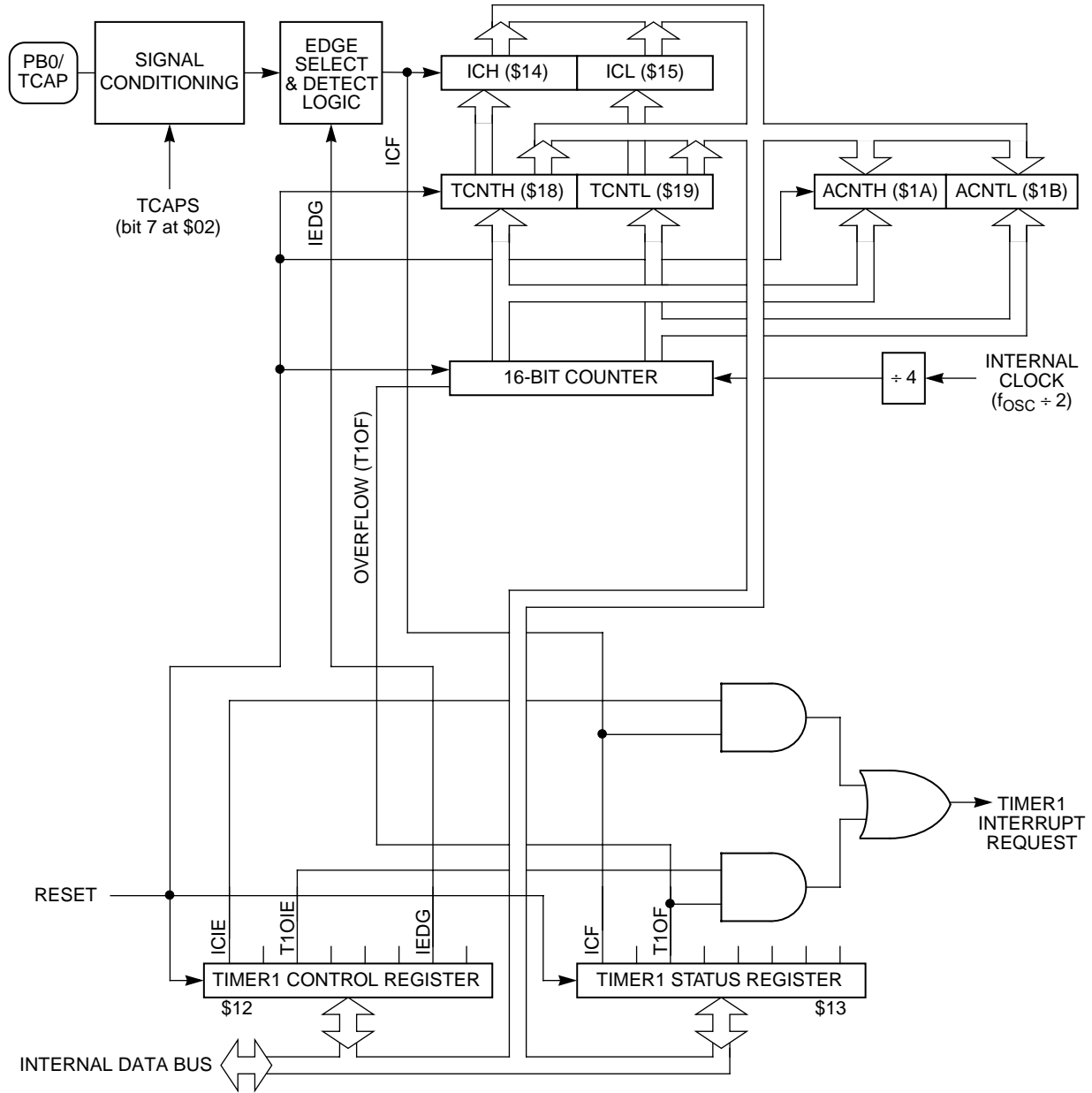


Figure 9-1. 16-Bit Timer Block Diagram

The basis of the 16-bit Timer is a 16-bit free-running counter which increases in count with each internal bus clock cycle. The counter is the timing reference for the input capture and output compare functions. The input capture and output compare functions provide a means to latch the times at which external events occur, to measure input waveforms, and to generate output waveforms and timing delays. Software can read the value in the 16-bit free-running counter at any time without affect the counter sequence.

Because of the 16-bit timer architecture, the I/O registers are pairs of 8-bit registers. Each register pair contains the high and low byte of that function. Generally, accessing the low byte of a specific timer function allows full control of that function; however, an access of the high byte inhibits that specific timer function until the low byte is also accessed.

Because the counter is 16 bits long and preceded by a fixed divide-by-four prescaler, the counter rolls over every 262,144 internal clock cycles. Timer resolution with a 4MHz crystal oscillator is 2 microsecond/count.

The interrupt capability and the input capture edge are controlled by the timer control register (T1CR) located at \$0012 and the status of the interrupt flags can be read from the timer status register (T1SR) located at \$0013.

9.1 TIMER1 COUNTER REGISTERS (TCNTH, TCNTL)

The functional block diagram of the 16-bit free-running timer counter and timer registers is shown in **Figure 9-2**. The timer registers include a transparent buffer latch on the LSB of the 16-bit timer counter.

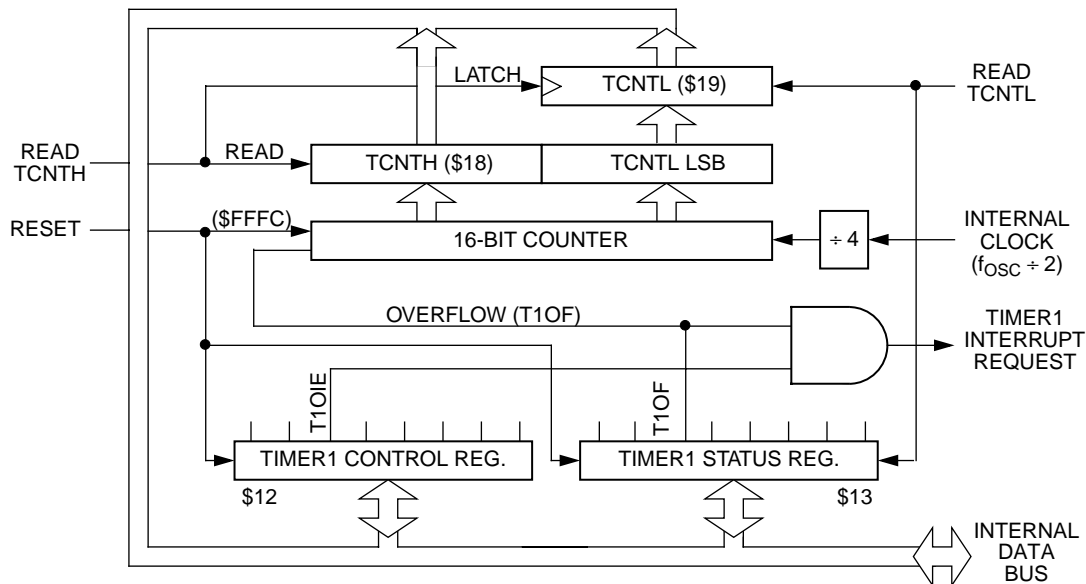


Figure 9-2. 16-Bit Timer Counter Block Diagram

The timer counter registers (TCNTH, TCNTL) shown in **Figure 9-3** are read-only locations which contain the current high and low bytes of the 16-bit free-running counter. Writing to the timer registers has no effect. Reset of the device presets the timer counter to \$FFFC.

		BIT 7	BIT 6	BIT 5	BIT 4	BIT 3	BIT 2	BIT 1	BIT 0
TCNTH \$0018	R	Bit15	Bit14	Bit13	Bit12	Bit11	Bit10	Bit9	Bit8
	W								
reset:		1	1	1	1	1	1	1	1
<hr/>									
TCNTL \$0019	R	Bit7	Bit6	Bit5	Bit4	Bit3	Bit2	Bit1	Bit0
	W								
reset:		1	1	1	1	1	1	0	0

Figure 9-3. 16-Bit Timer Counter Registers (TCNTH, TCNTL)

The TCNTL latch is a transparent read of the LSB until the a read of the TCNTH takes place. A read of the TCNTH latches the LSB into the TCNTL location until the TCNTL is again read. The latched value remains fixed even if multiple reads of the TCNTH take place before the next read of the TCNTL. Therefore, when reading the MSB of the timer at TCNTH the LSB of the timer at TCNTL must also be read to complete the read sequence.

During power-on-reset (POR), the counter is initialized to \$FFFC and begins counting after the oscillator start-up delay. Because the counter is 16 bits and preceded by a fixed divide-by-four prescaler, the value in the counter repeats every 262, 144 internal bus clock cycles (524, 288 oscillator cycles).

When the free-running counter rolls over from \$FFFF to \$0000, the timer overflow flag bit (T1OF) is set in the T1SR. When the T1OF is set, it can generate an interrupt if the timer overflow interrupt enable bit (T1OIE) is also set in the T1CR. The T1OF flag bit can only be reset by reading the TCNTL after reading the T1SR.

Other than clearing any possible T1OF flags, reading the TCNTH and TCNTL in any order or any number of times does not have any effect on the 16-bit free-running counter.

NOTE

To prevent interrupts from occurring between readings of the TCNTH and TCNTL, set the I bit in the condition code register (CCR) before reading TCNTH and clear the I bit after reading TCNTL.

9.2 ALTERNATE COUNTER REGISTERS (ACNTH, ACNTL)

The functional block diagram of the 16-bit free-running timer counter and alternate counter registers is shown in **Figure 9-4**. The alternate counter registers behave the same as the timer counter registers, except that any reads of the alternate

counter will not have any effect on the T1OF flag bit and Timer interrupts. The alternate counter registers include a transparent buffer latch on the LSB of the 16-bit timer counter.

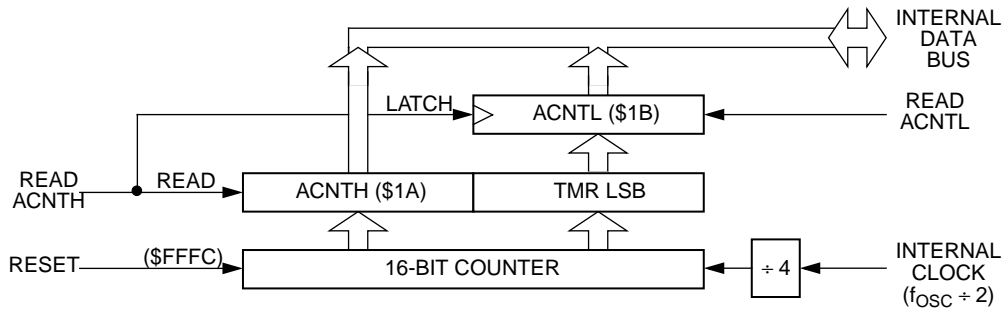


Figure 9-4. Alternate Counter Block Diagram

The alternate counter registers (ACNTH, ACNTL) shown in Figure 9-5 are read-only locations which contain the current high and low bytes of the 16-bit free-running counter. Writing to the alternate counter registers has no effect. Reset of the device presets the timer counter to \$FFFC.

		BIT 7	BIT 6	BIT 5	BIT 4	BIT 3	BIT 2	BIT 1	BIT 0
ACNTH	R	Bit15	Bit14	Bit13	Bit12	Bit11	Bit10	Bit9	Bit8
\$001A	W								
reset:		1	1	1	1	1	1	1	1
ACNTL	R	Bit7	Bit6	Bit5	Bit4	Bit3	Bit2	Bit1	Bit0
\$001B	W								
reset:		1	1	1	1	1	1	0	0

Figure 9-5. Alternate Counter Registers (ACNTH, ACNTL)

The ACNTL latch is a transparent read of the LSB until the a read of the ACNTH takes place. A read of the ACNTH latches the LSB into the ACNTL location until the ACNTL is again read. The latched value remains fixed even if multiple reads of the ACNTH take place before the next read of the ACNTL. Therefore, when reading the MSB of the timer at ACNTH the LSB of the timer at ACNTL must also be read to complete the read sequence.

During power-on-reset (POR), the counter is initialized to \$FFFC and begins counting after the oscillator start-up delay. Because the counter is 16 bits and preceded by a fixed divide-by-four prescaler, the value in the counter repeats every 262,144 internal bus clock cycles (524,288 oscillator cycles).

Reading the ACNTH and ACNTL in any order or any number of times does not have any effect on the 16-bit free-running counter or the T1OF flag bit.

NOTE

To prevent interrupts from occurring between readings of the ACNTH and ACNTL, set the I bit in the condition code register (CCR) before reading ACNTH and clear the I bit after reading ACNTL.

9.3 INPUT CAPTURE REGISTERS

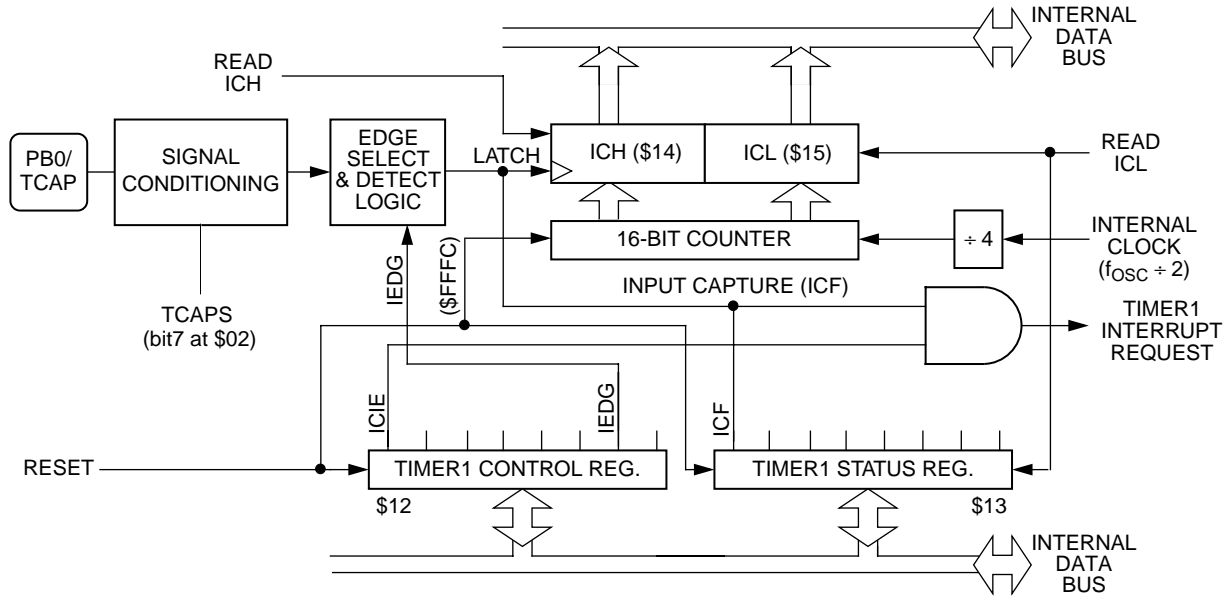


Figure 9-6. Timer Input Capture Block Diagram

The input capture function is a technique whereby an external signal (connected to PB0/TCAP pin) is used to trigger the 16-bit timer counter. In this way it is possible to relate the timing of an external signal to the internal counter value, and hence to elapsed time.

NOTE

Since the TCAP pin is shared with the PB0 I/O pin, changing the state of the PB0 DDR or Data Register can cause an unwanted TCAP interrupt. This can be avoided by clearing the ICIE bit before changing the configuration of PB0, and clearing any pending interrupts before enabling ICIE.

The signal on the TCAP pin is first directed to a schmitt trigger or a voltage comparator as shown in Figure 9-8. Setting the TCAPS bit to "1" will enable the comparator and the $V_{DD}/2$ reference voltage.

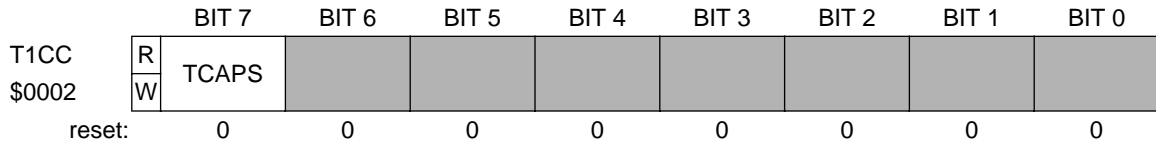


Figure 9-7. Timer1 Capture Control Register

TCAPS — Timer Input Capture Comparator Enable

- 1 = Timer input capture comparator is selected.
- 0 = Timer input capture comparator schmitt trigger is selected.

NOTE

When the comparator and $V_{DD}/2$ reference are enabled, PB0 pin will automatically become an input pin, irrespective of DDR setting. However, it is recommended to set PB0 as an input first (via DDR), before enabling the comparator. A read of PB0 will reflect the TCAP pin status, not the PB0 register bit.

The comparator uses the $V_{DD}/2$ reference as the compare voltage, resulting in a typical output as shown in **Figure 9-9**.

Switching off the $V_{DD}/2$ voltage reference by clearing TCAPS=0 will further save power when the MCU is in a low power mode.

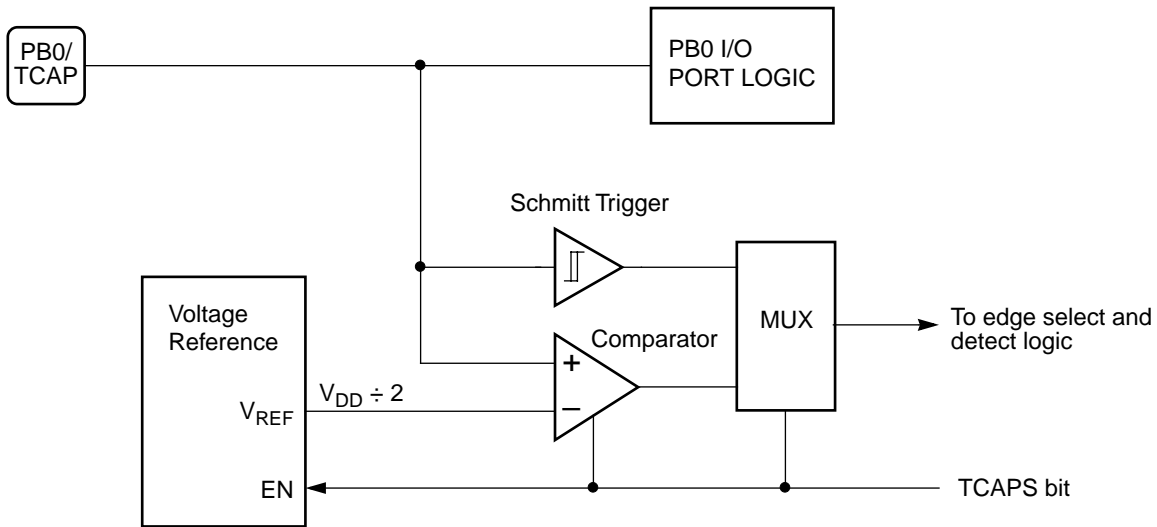


Figure 9-8. TCAP Input Signal Conditioning

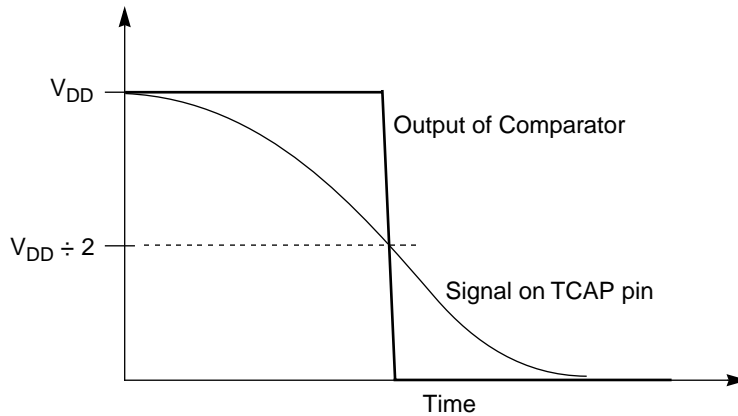


Figure 9-9. TCAP Input Comparator Output

When the input capture circuitry detects an active edge on the TCAP pin, it latches the contents of the free-running timer counter registers into the input capture registers as shown in Figure 9-6.

Latching values into the input capture registers at successive edges of the same polarity measures the period of the selected input signal. Latching the counter values at successive edges of opposite polarity measures the pulse width of the signal.

The input capture registers are made up of two 8-bit read-only registers (ICH, ICL) as shown in Figure 9-10. The input capture edge detector contains a Schmitt trigger to improve noise immunity. The edge that triggers the counter transfer is defined by the input edge bit (IEDG) in the T1CR. Reset does not affect the contents of the input capture registers.

The result obtained by an input capture will be one count higher than the value of the free-running timer counter preceding the external transition. This delay is required for internal synchronization. Resolution is affected by the prescaler, allowing the free-running timer counter to increment once every four internal clock cycles (eight oscillator clock cycles).

		BIT 7	BIT 6	BIT 5	BIT 4	BIT 3	BIT 2	BIT 1	BIT 0
ICH	R	Bit15	Bit14	Bit13	Bit12	Bit11	Bit10	Bit9	Bit8
	W								
\$0014	reset:	U	U	U	U	U	U	U	U
ICL	R	Bit7	Bit6	Bit5	Bit4	Bit3	Bit2	Bit1	Bit0
	W								
\$0015	reset:	U	U	U	U	U	U	U	U

U = UNAFFECTED BY RESET

Figure 9-10. Input Capture Registers (ICH, ICL)

Reading the ICH inhibits further captures until the ICL is also read. Reading the ICL after reading the timer status register (T1SR) clears the ICF flag bit. does not inhibit transfer of the free-running counter. There is no conflict between reading the ICL and transfers from the free-running timer counters. The input capture registers always contain the free-running timer counter value which corresponds to the most recent input capture.

NOTE

To prevent interrupts from occurring between readings of the ICH and ICL, set the I bit in the condition code register (CCR) before reading ICH and clear the I bit after reading ICL.

9.4 TIMER1 CONTROL REGISTER (T1CR)

The timer control register is shown in **Figure 9-11** performs the following functions:

- Enables input capture interrupts
- Enables output compare interrupts
- Enables timer overflow interrupts
- Control the active edge polarity of the TCAP signal on pin PB0/TCAP

Reset clears all the bits in the T1CR with the exception of the IEDG bit which is unaffected.

	BIT 7	BIT 6	BIT 5	BIT 4	BIT 3	BIT 2	BIT 1	BIT 0
T1CR	R	0	T1OIE	0	0	0	IEDG	0
\$0012	W							
reset:	0	0	0	0	0	0	U	0

U = UNAFFECTED BY RESET

Figure 9-11. Timer Control Register (T1CR)

ICIE - INPUT CAPTURE INTERRUPT ENABLE

This read/write bit enables interrupts caused by an active signal on the PB0/TCAP pin. Reset clears the ICIE bit.

- 1 = Input capture interrupts enabled.
- 0 = Input capture interrupts disabled.

T1OIE - TIMER OVERFLOW INTERRUPT ENABLE

This read/write bit enables interrupts caused by a timer1 overflow. Reset clears the T1OIE bit.

- 1 = Timer1 overflow interrupts enabled.
- 0 = Timer1 overflow interrupts disabled.

IEDG - INPUT CAPTURE EDGE SELECT

The state of this read/write bit determines whether a positive or negative transition on the TCAP pin triggers a transfer of the contents of the timer register to the input capture register. Reset has no effect on the IEDG bit.

- 1 = Positive edge (low to high transition) triggers input capture.
- 0 = Negative edge (high to low transition) triggers input capture.

9.5 TIMER1 STATUS REGISTER (T1SR)

The timer status register (T1SR) shown in **Figure 9-12** contains flags for the following events:

- An active signal on the PB0/TCAP pin, transferring the contents of the timer registers to the input capture registers.
- An overflow of the timer registers from \$FFFF to \$0000.

Writing to any of the bits in the T1SR has no effect. Reset does not change the state of any of the flag bits in the T1SR.

		BIT 7	BIT 6	BIT 5	BIT 4	BIT 3	BIT 2	BIT 1	BIT 0
T1SR	R	ICF	0	T1OF	0	0	0	0	0
\$0013	W								
reset:		U	U	U	0	0	0	0	0

U = UNAFFECTED BY RESET

Figure 9-12. Timer Status Registers (T1SR)

ICF - INPUT CAPTURE FLAG

The ICF bit is automatically set when an edge of the selected polarity occurs on the PB0/TCAP pin. Clear the ICF bit by reading the timer status register with the ICF set, and then reading the low byte (ICL, \$0015) of the input capture registers. Reset has no effect on ICF.

T1OF - TIMER1 OVERFLOW FLAG

The T1OF bit is automatically set when the 16-bit timer counter rolls over from \$FFFF to \$0000. Clear the T1OF bit by reading the timer status register with the T1OF set, and then accessing the low byte (TCNTL, \$0019) of the timer registers. Reset has no effect on T1OF.

9.6 TIMER1 OPERATION DURING WAIT MODE

During WAIT mode the 16-bit timer continues to operate normally and may generate an interrupt to trigger the MCU out of the WAIT mode.

9.7 TIMER1 OPERATION DURING STOP MODE

When the MCU enters the STOP mode the free-running counter stops counting (the internal processor clock is stopped). It remains at that particular count value until the STOP mode is exited by applying a low signal to the \overline{IRQ} pin, at which

time the counter resumes from its stopped value as if nothing had happened. If STOP mode is exited via an external reset (logic low applied to the $\overline{\text{RESET}}$ pin) the counter is forced to \$FFFC.

If a valid input capture edge occurs at the PB0/TCAP pin during the STOP mode the input capture detect circuitry will be armed. This action does not set any flags or “wake up” the MCU, but when the MCU does “wake up” there will be an active input capture flag (and data) from the first valid edge. If the STOP mode is exited by an external reset, no input capture flag or data will be present even if a valid input capture edge was detected during the STOP mode.

SECTION 10 INSTRUCTION SET

This section describes the addressing modes and instruction types.

10.1 ADDRESSING MODES

The CPU uses eight addressing modes for flexibility in accessing data. The addressing modes define the manner in which the CPU finds the data required to execute an instruction. The eight addressing modes are the following:

- Inherent
- Immediate
- Direct
- Extended
- Indexed, No Offset
- Indexed, 8-Bit Offset
- Indexed, 16-Bit Offset
- Relative

10.1.1 Inherent

Inherent instructions are those that have no operand, such as return from interrupt (RTI) and stop (STOP). Some of the inherent instructions act on data in the CPU registers, such as set carry flag (SEC) and increment accumulator (INCA). Inherent instructions require no memory address and are one byte long.

10.1.2 Immediate

Immediate instructions are those that contain a value to be used in an operation with the value in the accumulator or index register. Immediate instructions require no memory address and are two bytes long. The opcode is the first byte, and the immediate data value is the second byte.

10.1.3 Direct

Direct instructions can access any of the first 256 memory addresses with two bytes. The first byte is the opcode, and the second is the low byte of the operand address. In direct addressing, the CPU automatically uses \$00 as the high byte of the operand address. BRSET and BRCLR are three-byte instructions that use direct addressing to access the operand and relative addressing to specify a branch destination.

10.1.4 Extended

Extended instructions use only three bytes to access any address in memory. The first byte is the opcode; the second and third bytes are the high and low bytes of the operand address.

When using the Motorola assembler, the programmer does not need to specify whether an instruction is direct or extended. The assembler automatically selects the shortest form of the instruction.

10.1.5 Indexed, No Offset

Indexed instructions with no offset are one-byte instructions that can access data with variable addresses within the first 256 memory locations. The index register contains the low byte of the conditional address of the operand. The CPU automatically uses \$00 as the high byte, so these instructions can address locations \$0000–\$00FF.

Indexed, no offset instructions are often used to move a pointer through a table or to hold the address of a frequently used RAM or I/O location.

10.1.6 Indexed, 8-Bit Offset

Indexed, 8-bit offset instructions are two-byte instructions that can access data with variable addresses within the first 511 memory locations. The CPU adds the unsigned byte in the index register to the unsigned byte following the opcode. The sum is the conditional address of the operand. These instructions can access locations \$0000–\$01FE.

Indexed 8-bit offset instructions are useful for selecting the *k*th element in an *n*-element table. The table can begin anywhere within the first 256 memory locations and could extend as far as location 510 (\$01FE). The *k* value is typically in the index register, and the address of the beginning of the table is in the byte following the opcode.

10.1.7 Indexed, 16-Bit Offset

Indexed, 16-bit offset instructions are three-byte instructions that can access data with variable addresses at any location in memory. The CPU adds the unsigned byte in the index register to the two unsigned bytes following the opcode. The sum is the conditional address of the operand. The first byte after the opcode is the high byte of the 16-bit offset; the second byte is the low byte of the offset. These instructions can address any location in memory.

Indexed, 16-bit offset instructions are useful for selecting the kth element in an n-element table anywhere in memory.

As with direct and extended addressing, the Motorola assembler determines the shortest form of indexed addressing.

10.1.8 Relative

Relative addressing is only for branch instructions. If the branch condition is true, the CPU finds the conditional branch destination by adding the signed byte following the opcode to the contents of the program counter. If the branch condition is not true, the CPU goes to the next instruction. The offset is a signed, two's complement byte that gives a branching range of -128 to $+127$ bytes from the address of the next location after the branch instruction.

When using the Motorola assembler, the programmer does not need to calculate the offset, because the assembler determines the proper offset and verifies that it is within the span of the branch.

10.1.9 Instruction Types

The MCU instructions fall into the following five categories:

- Register/Memory Instructions
- Read-Modify-Write Instructions
- Jump/Branch Instructions
- Bit Manipulation Instructions
- Control Instructions

10.1.10 Register/Memory Instructions

Most of these instructions use two operands. One operand is in either the accumulator or the index register. The CPU finds the other operand in memory. **Table 10-1** lists the register/memory instructions.

Table 10-1. Register/Memory Instructions

Instruction	Mnemonic
Add Memory Byte and Carry Bit to Accumulator	ADC
Add Memory Byte to Accumulator	ADD
AND Memory Byte with Accumulator	AND
Bit Test Accumulator	BIT
Compare Accumulator	CMP
Compare Index Register with Memory Byte	CPX
EXCLUSIVE OR Accumulator with Memory Byte	EOR
Load Accumulator with Memory Byte	LDA
Load Index Register with Memory Byte	LDX
Multiply	MUL
OR Accumulator with Memory Byte	ORA
Subtract Memory Byte and Carry Bit from Accumulator	SBC
Store Accumulator in Memory	STA
Store Index Register in Memory	STX
Subtract Memory Byte from Accumulator	SUB

10.1.11 Read-Modify-Write Instructions

These instructions read a memory location or a register, modify its contents, and write the modified value back to the memory location or to the register. The test for negative or zero instruction (TST) is an exception to the read-modify-write sequence because it does not write a replacement value. **Table 10-2** lists the read-modify-write instructions.

Table 10-2. Read-Modify-Write Instructions

Instruction	Mnemonic
Arithmetic Shift Left	ASL
Arithmetic Shift Right	ASR
Clear Bit in Memory	BCLR
Set Bit in Memory	BSET
Clear	CLR
Complement (One's Complement)	COM
Decrement	DEC
Increment	INC
Logical Shift Left	LSL
Logical Shift Right	LSR
Negate (Two's Complement)	NEG
Rotate Left through Carry Bit	ROL
Rotate Right through Carry Bit	ROR
Test for Negative or Zero	TST

10.1.12 Jump/Branch Instructions

Jump instructions allow the CPU to interrupt the normal sequence of the program counter. The unconditional jump instruction (JMP) and the jump to subroutine instruction (JSR) have no register operand. Branch instructions allow the CPU to interrupt the normal sequence of the program counter when a test condition is met. If the test condition is not met, the branch is not performed. All branch instructions use relative addressing.

Bit test and branch instructions cause a branch based on the state of any readable bit in the first 256 memory locations. These three-byte instructions use a combination of direct addressing and relative addressing. The direct address of the byte to be tested is in the byte following the opcode. The third byte is the signed offset byte. The CPU finds the conditional branch destination by adding the

third byte to the program counter if the specified bit tests true. The bit to be tested and its condition (set or clear) is part of the opcode. The span of branching is from -128 to +127 from the address of the next location after the branch instruction. The CPU also transfers the tested bit to the carry/borrow bit of the condition code register. **Table 10-3** lists the jump and branch instructions.

Table 10-3. Jump and Branch Instructions

Instruction	Mnemonic
Branch if Carry Bit Clear	BCC
Branch if Carry Bit Set	BCS
Branch if Equal	BEQ
Branch if Half-Carry Bit Clear	BHCC
Branch if Half-Carry Bit Set	BHCS
Branch if Higher	BHI
Branch if Higher or Same	BHS
Branch if \overline{IRQ} Pin High	BIH
Branch if \overline{IRQ} Pin Low	BIL
Branch if Lower	BLO
Branch if Lower or Same	BLS
Branch if Interrupt Mask Clear	BMC
Branch if Minus	BMI
Branch if Interrupt Mask Set	BMS
Branch if Not Equal	BNE
Branch if Plus	BPL
Branch Always	BRA
Branch if Bit Clear	BRCLR
Branch Never	BRN
Branch if Bit Set	BRSET
Branch to Subroutine	BSR
Unconditional Jump	JMP
Jump to Subroutine	JSR

10.1.13 Bit Manipulation Instructions

The CPU can set or clear any writable bit in the first 256 bytes of memory. Port registers, port data direction registers, timer registers, and on-chip RAM locations are in the first 256 bytes of memory. The CPU can also test and branch based on the state of any bit in any of the first 256 memory locations. Bit manipulation instructions use direct addressing. **Table 10-4** lists these instructions.

Table 10-4. Bit Manipulation Instructions

Instruction	Mnemonic
Clear Bit	BCLR
Branch if Bit Clear	BRCLR
Branch if Bit Set	BRSET
Set Bit	BSET

10.1.14 Control Instructions

These register reference instructions control CPU operation during program execution. Control instructions, listed in **Table 10-5**, use inherent addressing.

Table 10-5. Control Instructions

Instruction	Mnemonic
Clear Carry Bit	CLC
Clear Interrupt Mask	CLI
No Operation	NOP
Reset Stack Pointer	RSP
Return from Interrupt	RTI
Return from Subroutine	RTS
Set Carry Bit	SEC
Set Interrupt Mask	SEI
Stop Oscillator and Enable \overline{IRQ} Pin	STOP
Software Interrupt	SWI
Transfer Accumulator to Index Register	TAX
Transfer Index Register to Accumulator	TXA
Stop CPU Clock and Enable Interrupts	WAIT

10.1.15 Instruction Set Summary

Table 10-6 is an alphabetical list of all M68HC05 instructions and shows the effect of each instruction on the condition code register.

Table 10-6. Instruction Set Summary

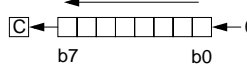
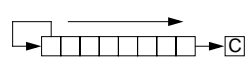
Source Form	Operation	Description	Effect on CCR					Address Mode	Opcode	Operand	Cycles
			H	I	N	Z	C				
ADC #opr ADC opr ADC opr ADC opr,X ADC opr,X ADC ,X	Add with Carry	$A \leftarrow (A) + (M) + (C)$	↓	—	↓	↓	↓	IMM DIR EXT IX2 IX1 IX	A9 B9 C9 D9 E9 F9	ii dd hh ll ee ff ff	2 3 4 5 4 3
ADD #opr ADD opr ADD opr ADD opr,X ADD opr,X ADD ,X	Add without Carry	$A \leftarrow (A) + (M)$	↓	—	↓	↓	↓	IMM DIR EXT IX2 IX1 IX	AB BB CB DB EB FB	ii dd hh ll ee ff ff	2 3 4 5 4 3
AND #opr AND opr AND opr AND opr,X AND opr,X AND ,X	Logical AND	$A \leftarrow (A) \wedge (M)$	—	—	↓	↓	—	IMM DIR EXT IX2 IX1 IX	A4 B4 C4 D4 E4 F4	ii dd hh ll ee ff ff	2 3 4 5 4 3
ASL opr ASLA ASLX ASL opr,X ASL ,X	Arithmetic Shift Left (Same as LSL)		—	—	↓	↓	↓	↓	38 48 58 68 78	dd ff	5 3 3 6 5
ASR opr ASRA ASRX ASR opr,X ASR ,X	Arithmetic Shift Right		—	—	↓	↓	↓	DIR INH INH IX1 IX	37 47 57 67 77	dd ff	5 3 3 6 5
BCC rel	Branch if Carry Bit Clear	$PC \leftarrow (PC) + 2 + rel ? C = 0$	—	—	—	—	—	REL	24	rr	3
BCLR n opr	Clear Bit n	$Mn \leftarrow 0$	—	—	—	—	—	DIR (b0) DIR (b1) DIR (b2) DIR (b3) DIR (b4) DIR (b5) DIR (b6) DIR (b7)	11 13 15 17 19 1B 1D 1F	dd dd dd dd dd dd dd dd	5 5 5 5 5 5 5 5
BCS rel	Branch if Carry Bit Set (Same as BLO)	$PC \leftarrow (PC) + 2 + rel ? C = 1$	—	—	—	—	—	REL	25	rr	3
BEQ rel	Branch if Equal	$PC \leftarrow (PC) + 2 + rel ? Z = 1$	—	—	—	—	—	REL	27	rr	3

Table 10-6. Instruction Set Summary (Continued)

Source Form	Operation	Description	Effect on CCR					Address Mode	Opcode	Operand	Cycles
			H	I	N	Z	C				
BHCC <i>rel</i>	Branch if Half-Carry Bit Clear	$PC \leftarrow (PC) + 2 + rel ? H = 0$	—	—	—	—	—	REL	28	rr	3
BHCS <i>rel</i>	Branch if Half-Carry Bit Set	$PC \leftarrow (PC) + 2 + rel ? H = 1$	—	—	—	—	—	REL	29	rr	3
BHI <i>rel</i>	Branch if Higher	$PC \leftarrow (PC) + 2 + rel ? C \vee Z = 0$	—	—	—	—	—	REL	22	rr	3
BHS <i>rel</i>	Branch if Higher or Same	$PC \leftarrow (PC) + 2 + rel ? C = 0$	—	—	—	—	—	REL	24	rr	3
BIH <i>rel</i>	Branch if \overline{IRQ} Pin High	$PC \leftarrow (PC) + 2 + rel ? \overline{IRQ} = 1$	—	—	—	—	—	REL	2F	rr	3
BIL <i>rel</i>	Branch if \overline{IRQ} Pin Low	$PC \leftarrow (PC) + 2 + rel ? \overline{IRQ} = 0$	—	—	—	—	—	REL	2E	rr	3
BIT # <i>opr</i> BIT <i>opr</i> BIT <i>opr</i> ,X BIT <i>opr</i> ,X BIT ,X	Bit Test Accumulator with Memory Byte	(A) \wedge (M)	—	—	↑	↓	—	IMM DIR EXT IX2 IX1 IX	A5 B5 C5 D5 E5 F5	ii dd hh ll ee ff ff p	2 3 4 5 4 3
BLO <i>rel</i>	Branch if Lower (Same as BCS)	$PC \leftarrow (PC) + 2 + rel ? C = 1$	—	—	—	—	—	REL	25	rr	3
BLS <i>rel</i>	Branch if Lower or Same	$PC \leftarrow (PC) + 2 + rel ? C \vee Z = 1$	—	—	—	—	—	REL	23	rr	3
BMC <i>rel</i>	Branch if Interrupt Mask Clear	$PC \leftarrow (PC) + 2 + rel ? I = 0$	—	—	—	—	—	REL	2C	rr	3
BMI <i>rel</i>	Branch if Minus	$PC \leftarrow (PC) + 2 + rel ? N = 1$	—	—	—	—	—	REL	2B	rr	3
BMS <i>rel</i>	Branch if Interrupt Mask Set	$PC \leftarrow (PC) + 2 + rel ? I = 1$	—	—	—	—	—	REL	2D	rr	3
BNE <i>rel</i>	Branch if Not Equal	$PC \leftarrow (PC) + 2 + rel ? Z = 0$	—	—	—	—	—	REL	26	rr	3
BPL <i>rel</i>	Branch if Plus	$PC \leftarrow (PC) + 2 + rel ? N = 0$	—	—	—	—	—	REL	2A	rr	3
BRA <i>rel</i>	Branch Always	$PC \leftarrow (PC) + 2 + rel ? 1 = 1$	—	—	—	—	—	REL	20	rr	3
BRCLR <i>n opr rel</i>	Branch if bit n clear	$PC \leftarrow (PC) + 2 + rel ? Mn = 0$	—	—	—	—	↑	DIR (b0)	01	dd rr	5
								DIR (b1)	03	dd rr	5
								DIR (b2)	05	dd rr	5
								DIR (b3)	07	dd rr	5
								DIR (b4)	09	dd rr	5
								DIR (b5)	0B	dd rr	5
								DIR (b6)	0D	dd rr	5
								DIR (b7)	0F	dd rr	5
BRSET <i>n opr rel</i>	Branch if Bit n Set	$PC \leftarrow (PC) + 2 + rel ? Mn = 1$	—	—	—	—	↓	DIR (b0)	00	dd rr	5
								DIR (b1)	02	dd rr	5
								DIR (b2)	04	dd rr	5
								DIR (b3)	06	dd rr	5
								DIR (b4)	08	dd rr	5
								DIR (b5)	0A	dd rr	5
								DIR (b6)	0C	dd rr	5
								DIR (b7)	0E	dd rr	5
BRN <i>rel</i>	Branch Never	$PC \leftarrow (PC) + 2 + rel ? 1 = 0$	—	—	—	—	—	REL	21	rr	3

INSTRUCTION SET

Table 10-6. Instruction Set Summary (Continued)

Source Form	Operation	Description	Effect on CCR					Address Mode	Opcode	Operand	Cycles
			H	I	N	Z	C				
BSET <i>n opr</i>	Set Bit <i>n</i>	$M_n \leftarrow 1$						DIR (b0)	10	dd	5
								DIR (b1)	12	dd	5
								DIR (b2)	14	dd	5
								DIR (b3)	16	dd	5
								DIR (b4)	18	dd	5
								DIR (b5)	1A	dd	5
								DIR (b6)	1C	dd	5
					DIR (b7)	1E	dd	5			
BSR <i>rel</i>	Branch to Subroutine	PC \leftarrow (PC) + 2; push (PCL) SP \leftarrow (SP) - 1; push (PCH) SP \leftarrow (SP) - 1 PC \leftarrow (PC) + <i>rel</i>	—	—	—	—	—	REL	AD	rr	6
CLC	Clear Carry Bit	C \leftarrow 0	—	—	—	—	0	INH	98		2
CLI	Clear Interrupt Mask	I \leftarrow 0	—	0	—	—	—	INH	9A		2
CLR <i>opr</i> CLRA CLR X CLR <i>opr,X</i> CLR ,X	Clear Byte	M \leftarrow \$00						DIR	3F	dd	5
		A \leftarrow \$00						INH	4F		3
		X \leftarrow \$00	—	—	0	1	—	INH	5F		3
		M \leftarrow \$00						IX1	6F	ff	6
		M \leftarrow \$00						IX	7F		5
CMP # <i>opr</i> CMP <i>opr</i> CMP <i>opr</i> CMP <i>opr,X</i> CMP <i>opr,X</i> CMP ,X	Compare Accumulator with Memory Byte	(A) - (M)			↑	↑	↑	IMM	A1	ii	2
								DIR	B1	dd	3
								EXT	C1	hh ll	4
								IX2	D1	ee ff	5
								IX1	E1	ff	4
					IX	F1		3			
COM <i>opr</i> COMA COMX COM <i>opr,X</i> COM ,X	Complement Byte (One's Complement)	M \leftarrow (\overline{M}) = \$FF - (M)						DIR	33	dd	5
		A \leftarrow (\overline{A}) = \$FF - (M)						INH	43		3
		X \leftarrow (\overline{X}) = \$FF - (M)	—	—	↑	↑	1	INH	53		3
		M \leftarrow (\overline{M}) = \$FF - (M)						IX1	63	ff	6
		M \leftarrow (\overline{M}) = \$FF - (M)						IX	73		5
CPX # <i>opr</i> CPX <i>opr</i> CPX <i>opr</i> CPX <i>opr,X</i> CPX <i>opr,X</i> CPX ,X	Compare Index Register with Memory Byte	(X) - (M)			↑	↑	↑	IMM	A3	ii	2
								DIR	B3	dd	3
								EXT	C3	hh ll	4
								IX2	D3	ee ff	5
								IX1	E3	ff	4
					IX	F3		3			
DEC <i>opr</i> DECA DECX DEC <i>opr,X</i> DEC ,X	Decrement Byte	M \leftarrow (M) - 1						DIR	3A	dd	5
		A \leftarrow (A) - 1						INH	4A		3
		X \leftarrow (X) - 1	—	—	↑	↑	—	INH	5A		3
		M \leftarrow (M) - 1						IX1	6A	ff	6
		M \leftarrow (M) - 1						IX	7A		5
EOR # <i>opr</i> EOR <i>opr</i> EOR <i>opr</i> EOR <i>opr,X</i> EOR <i>opr,X</i> EOR ,X	EXCLUSIVE OR Accumulator with Memory Byte	A \leftarrow (A) \oplus (M)			↑	↑	—	IMM	A8	ii	2
								DIR	B8	dd	3
								EXT	C8	hh ll	4
								IX2	D8	ee ff	5
								IX1	E8	ff	4
					IX	F8		3			

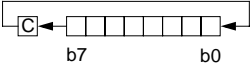
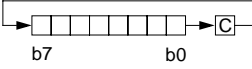
Freescale Semiconductor, Inc.

Table 10-6. Instruction Set Summary (Continued)

Source Form	Operation	Description	Effect on CCR					Address Mode	Opcode	Operand	Cycles
			H	I	N	Z	C				
INC <i>opr</i> INCA INCX INC <i>opr</i> ,X INC ,X	Increment Byte	$M \leftarrow (M) + 1$						DIR	3C	dd	5
$A \leftarrow (A) + 1$							INH	4C		3	
$X \leftarrow (X) + 1$		—	—	↑	↑	—	INH	5C		3	
$M \leftarrow (M) + 1$							IX1	6C	ff	6	
$M \leftarrow (M) + 1$							IX	7C		5	
JMP <i>opr</i> JMP <i>opr</i> JMP <i>opr</i> ,X JMP <i>opr</i> ,X JMP ,X	Unconditional Jump	$PC \leftarrow \text{Jump Address}$						DIR	BC	dd	2
								EXT	CC	hh ll	3
								IX2	DC	ee ff	4
								IX1	EC	ff	3
								IX	FC		2
JSR <i>opr</i> JSR <i>opr</i> JSR <i>opr</i> ,X JSR <i>opr</i> ,X JSR ,X	Jump to Subroutine	$PC \leftarrow (PC) + n$ ($n = 1, 2, \text{ or } 3$) Push (PCL); $SP \leftarrow (SP) - 1$ Push (PCH); $SP \leftarrow (SP) - 1$ $PC \leftarrow \text{Conditional Address}$						DIR	BD	dd	5
								EXT	CD	hh ll	6
								IX2	DD	ee ff	7
								IX1	ED	ff	6
								IX	FD		5
LDA # <i>opr</i> LDA <i>opr</i> LDA <i>opr</i> LDA <i>opr</i> ,X LDA <i>opr</i> ,X LDA ,X	Load Accumulator with Memory Byte	$A \leftarrow (M)$						IMM	A6	ii	2
								DIR	B6	dd	3
								EXT	C6	hh ll	4
								IX2	D6	ee ff	5
								IX1	E6	ff	4
								IX	F6		3
LDX # <i>opr</i> LDX <i>opr</i> LDX <i>opr</i> LDX <i>opr</i> ,X LDX <i>opr</i> ,X LDX ,X	Load Index Register with Memory Byte	$X \leftarrow (M)$						IMM	AE	ii	2
								DIR	BE	dd	3
								EXT	CE	hh ll	4
								IX2	DE	ee ff	5
								IX1	EE	ff	4
								IX	FE		3
LSL <i>opr</i> LSLA LSLX LSL <i>opr</i> ,X LSL ,X	Logical Shift Left (Same as ASL)							DIR	38	dd	5
								INH	48		3
								INH	58		3
								IX1	68	ff	6
								IX	78		5
LSR <i>opr</i> LSRA LSRX LSR <i>opr</i> ,X LSR ,X	Logical Shift Right							DIR	34	dd	5
								INH	44		3
								INH	54		3
								IX1	64	ff	6
								IX	74		5
MUL	Unsigned Multiply	$X : A \leftarrow (X) \times (A)$	0	—	—	—	0	INH	42		11
NEG <i>opr</i> NEGA NEGX NEG <i>opr</i> ,X NEG ,X	Negate Byte (Two's Complement)	$M \leftarrow -(M) = \$00 - (M)$ $A \leftarrow -(A) = \$00 - (A)$ $X \leftarrow -(X) = \$00 - (X)$ $M \leftarrow -(M) = \$00 - (M)$ $M \leftarrow -(M) = \$00 - (M)$						DIR	30	ii	5
								INH	40		3
								INH	50		3
								IX1	60	ff	6
								IX	70		5
NOP	No Operation		—	—	—	—	—	INH	9D		2

Freescale Semiconductor, Inc.

Table 10-6. Instruction Set Summary (Continued)

Source Form	Operation	Description	Effect on CCR					Address Mode	Opcode	Operand	Cycles
			H	I	N	Z	C				
ORA #opr ORA opr ORA opr ORA opr,X ORA opr,X ORA ,X	Logical OR Accumulator with Memory	$A \leftarrow (A) \vee (M)$	—	—	↕	↕	—	IMM DIR EXT IX2 IX1 IX	AA BA CA DA EA FA	ii dd hh ll ee ff ff	2 3 4 5 4 3
ROL opr ROLA ROLX ROL opr,X ROL ,X	Rotate Byte Left through Carry Bit		—	—	↕	↕	↕	DIR INH INH IX1 IX	39 49 59 69 79	dd ff	5 3 3 6 5
ROR opr RORA RORX ROR opr,X ROR ,X	Rotate Byte Right through Carry Bit		—	—	↕	↕	↕	DIR INH INH IX1 IX	36 46 56 66 76	dd ff	5 3 3 6 5
RSP	Reset Stack Pointer	$SP \leftarrow \$00FF$	—	—	—	—	—	INH	9C		2
RTI	Return from Interrupt	$SP \leftarrow (SP) + 1$; Pull (CCR) $SP \leftarrow (SP) + 1$; Pull (A) $SP \leftarrow (SP) + 1$; Pull (X) $SP \leftarrow (SP) + 1$; Pull (PCH) $SP \leftarrow (SP) + 1$; Pull (PCL)	↕	↕	↕	↕	↕	INH	80		9
RTS	Return from Subroutine	$SP \leftarrow (SP) + 1$; Pull (PCH) $SP \leftarrow (SP) + 1$; Pull (PCL)	—	—	—	—	—	INH	81		6
SBC #opr SBC opr SBC opr SBC opr,X SBC opr,X SBC ,X	Subtract Memory Byte and Carry Bit from Accumulator	$A \leftarrow (A) - (M) - (C)$	—	—	↕	↕	↕	IMM DIR EXT IX2 IX1 IX	A2 B2 C2 D2 E2 F2	ii dd hh ll ee ff ff	2 3 4 5 4 3
SEC	Set Carry Bit	$C \leftarrow 1$	—	—	—	—	1	INH	99		2
SEI	Set Interrupt Mask	$I \leftarrow 1$	—	1	—	—	—	INH	9B		2
STA opr STA opr STA opr,X STA opr,X STA ,X	Store Accumulator in Memory	$M \leftarrow (A)$	—	—	↕	↕	—	DIR EXT IX2 IX1 IX	B7 C7 D7 E7 F7	dd hh ll ee ff ff	4 5 6 5 4
STOP	Stop Oscillator and Enable \overline{IRQ} Pin		—	0	—	—	—	INH	8E		2
STX opr STX opr STX opr,X STX opr,X STX ,X	Store Index Register In Memory	$M \leftarrow (X)$	—	—	↕	↕	—	DIR EXT IX2 IX1 IX	BF CF DF EF FF	dd hh ll ee ff ff	4 5 6 5 4

Freescale Semiconductor, Inc.

Table 10-6. Instruction Set Summary (Continued)

Source Form	Operation	Description	Effect on CCR					Address Mode	Opcode	Operand	Cycles
			H	I	N	Z	C				
SUB #opr SUB opr SUB opr SUB opr,X SUB opr,X SUB ,X	Subtract Memory Byte from Accumulator	$A \leftarrow (A) - (M)$	—	—	↓	↓	↓	IMM DIR EXT IX2 IX1 IX	A0 B0 C0 D0 E0 F0	ii dd hh ll ee ff ff	2 3 4 5 4 3
SWI	Software Interrupt	PC ← (PC) + 1; Push (PCL) SP ← (SP) - 1; Push (PCH) SP ← (SP) - 1; Push (X) SP ← (SP) - 1; Push (A) SP ← (SP) - 1; Push (CCR) SP ← (SP) - 1; I ← 1 PCH ← Interrupt Vector High Byte PCL ← Interrupt Vector Low Byte	—	1	—	—	—	INH	83		10
TAX	Transfer Accumulator to Index Register	$X \leftarrow (A)$	—	—	—	—	—	INH	97		2
TST opr TSTA TSTX TST opr,X TST ,X	Test Memory Byte for Negative or Zero	$(M) - \$00$	—	—	↓	↓	—	DIR INH INH IX1 IX	3D 4D 5D 6D 7D	dd ff	4 3 3 5 4
TXA	Transfer Index Register to Accumulator	$A \leftarrow (X)$	—	—	—	—	—	INH	9F		2
WAIT	Stop CPU Clock and Enable Interrupts		—	0	—	—	—	INH	8F		2

- | | | | |
|-------|---|------|--------------------------------------|
| A | Accumulator | opr | Operand (one or two bytes) |
| C | Carry/borrow flag | PC | Program counter |
| CCR | Condition code register | PCH | Program counter high byte |
| dd | Direct address of operand | PCL | Program counter low byte |
| dd rr | Direct address of operand and relative offset of branch instruction | REL | Relative addressing mode |
| DIR | Direct addressing mode | rel | Relative program counter offset byte |
| ee ff | High and low bytes of offset in indexed, 16-bit offset addressing | rr | Relative program counter offset byte |
| EXT | Extended addressing mode | SP | Stack pointer |
| ff | Offset byte in indexed, 8-bit offset addressing | X | Index register |
| H | Half-carry flag | Z | Zero flag |
| hh ll | High and low bytes of operand address in extended addressing | # | Immediate value |
| I | Interrupt mask | ^ | Logical AND |
| ii | Immediate operand byte | v | Logical OR |
| IMM | Immediate addressing mode | ⊕ | Logical EXCLUSIVE OR |
| INH | Inherent addressing mode | () | Contents of |
| IX | Indexed, no offset addressing mode | -() | Negation (two's complement) |
| IX1 | Indexed, 8-bit offset addressing mode | ← | Loaded with |
| IX2 | Indexed, 16-bit offset addressing mode | ? | If |
| M | Memory location | : | Concatenated with |
| N | Negative flag | ↓ | Set or cleared |
| n | Any bit | — | Not affected |

INSTRUCTION SET

Table 10-7. Opcode Map

		Bit Manipulation		Branch	Read-Modify-Write				Control		Register/Memory								
		DIR	DIR	REL	DIR	INH	INH	IX1	IX	INH	INH	IMM	DIR	EXT	IX2	IX1	IX		
MSB	LSB	0	1	2	3	4	5	6	7	8	9	A	B	C	D	E	F	MSB	LSB
	0	BRSET0 ⁵ ₃ DIR	BSET0 ⁵ ₂ DIR	BRA ³ _{REL}	NEG ⁵ _{DIR}	NEGA ³ _{INH}	NEGX ³ _{INH}	NEG ⁶ _{IX1}	NEG ⁵ _{IX}	RTI ⁹ _{INH}		SUB ² _{IMM}	SUB ³ _{DIR}	SUB ⁴ _{EXT}	SUB ⁵ _{IX2}	SUB ⁴ _{IX1}	SUB ³ _{IX}		0
	1	BRCLR0 ⁵ ₃ DIR	BCLR0 ⁵ ₂ DIR	BRN ³ _{REL}						RTS ⁶ _{INH}		CMP ² _{IMM}	CMP ³ _{DIR}	CMP ⁴ _{EXT}	CMP ⁵ _{IX2}	CMP ⁴ _{IX1}	CMP ³ _{IX}		1
	2	BRSET1 ⁵ ₃ DIR	BSET1 ⁵ ₂ DIR	BHI ³ _{REL}		MUL ¹¹ _{INH}						SBC ² _{IMM}	SBC ³ _{DIR}	SBC ⁴ _{EXT}	SBC ⁵ _{IX2}	SBC ⁴ _{IX1}	SBC ³ _{IX}		2
	3	BRCLR1 ⁵ ₃ DIR	BCLR1 ⁵ ₂ DIR	BLS ³ _{REL}	COM ⁵ _{DIR}	COMA ³ _{INH}	COMX ³ _{INH}	COM ⁶ _{IX1}	COM ⁵ _{IX}	SWI ¹⁰ _{INH}		CPX ² _{IMM}	CPX ³ _{DIR}	CPX ⁴ _{EXT}	CPX ⁵ _{IX2}	CPX ⁴ _{IX1}	CPX ³ _{IX}		3
	4	BRSET2 ⁵ ₃ DIR	BSET2 ⁵ ₂ DIR	BCC ³ _{REL}	LSR ⁵ _{DIR}	LSRA ³ _{INH}	LSRX ³ _{INH}	LSR ⁶ _{IX1}	LSR ⁵ _{IX}			AND ² _{IMM}	AND ³ _{DIR}	AND ⁴ _{EXT}	AND ⁵ _{IX2}	AND ⁴ _{IX1}	AND ³ _{IX}		4
	5	BRCLR2 ⁵ ₃ DIR	BCLR2 ⁵ ₂ DIR	BCS/BLO ³ _{REL}								BIT ² _{IMM}	BIT ³ _{DIR}	BIT ⁴ _{EXT}	BIT ⁵ _{IX2}	BIT ⁴ _{IX1}	BIT ³ _{IX}		5
	6	BRSET3 ⁵ ₃ DIR	BSET3 ⁵ ₂ DIR	BNE ³ _{REL}	ROR ⁵ _{DIR}	RORA ³ _{INH}	RORX ³ _{INH}	ROR ⁶ _{IX1}	ROR ⁵ _{IX}			LDA ² _{IMM}	LDA ³ _{DIR}	LDA ⁴ _{EXT}	LDA ⁵ _{IX2}	LDA ⁴ _{IX1}	LDA ³ _{IX}		6
	7	BRCLR3 ⁵ ₃ DIR	BCLR3 ⁵ ₂ DIR	BEQ ³ _{REL}	ASR ⁵ _{DIR}	ASRA ³ _{INH}	ASRX ³ _{INH}	ASR ⁶ _{IX1}	ASR ⁵ _{IX}	TAX ² _{INH}			STA ⁴ _{DIR}	STA ⁵ _{EXT}	STA ⁶ _{IX2}	STA ⁵ _{IX1}	STA ⁴ _{IX}		7
	8	BRSET4 ⁵ ₃ DIR	BSET4 ⁵ ₂ DIR	BHCC ³ _{REL}	ASL/LSL ⁵ _{DIR}	ASLA/LSLA ³ _{INH}	ASLX/LSLX ³ _{INH}	ASL/LSL ⁶ _{IX1}	ASL/LSL ⁵ _{IX}		CLC ² _{INH}	EOR ² _{IMM}	EOR ³ _{DIR}	EOR ⁴ _{EXT}	EOR ⁵ _{IX2}	EOR ⁴ _{IX1}	EOR ³ _{IX}		8
	9	BRCLR4 ⁵ ₃ DIR	BCLR4 ⁵ ₂ DIR	BHCS ³ _{REL}	ROL ⁵ _{DIR}	ROLA ³ _{INH}	ROLX ³ _{INH}	ROL ⁶ _{IX1}	ROL ⁵ _{IX}	SEC ² _{INH}		ADC ² _{IMM}	ADC ³ _{DIR}	ADC ⁴ _{EXT}	ADC ⁵ _{IX2}	ADC ⁴ _{IX1}	ADC ³ _{IX}		9
	A	BRSET5 ⁵ ₃ DIR	BSET5 ⁵ ₂ DIR	BPL ³ _{REL}	DEC ⁵ _{DIR}	DECA ³ _{INH}	DECX ³ _{INH}	DEC ⁶ _{IX1}	DEC ⁵ _{IX}	CLI ² _{INH}		ORA ² _{IMM}	ORA ³ _{DIR}	ORA ⁴ _{EXT}	ORA ⁵ _{IX2}	ORA ⁴ _{IX1}	ORA ³ _{IX}		A
	B	BRCLR5 ⁵ ₃ DIR	BCLR5 ⁵ ₂ DIR	BMI ³ _{REL}						SEI ² _{INH}		ADD ² _{IMM}	ADD ³ _{DIR}	ADD ⁴ _{EXT}	ADD ⁵ _{IX2}	ADD ⁴ _{IX1}	ADD ³ _{IX}		B
	C	BRSET6 ⁵ ₃ DIR	BSET6 ⁵ ₂ DIR	BMC ³ _{REL}	INC ⁵ _{DIR}	INCA ³ _{INH}	INCX ³ _{INH}	INC ⁶ _{IX1}	INC ⁵ _{IX}	RSP ² _{INH}			JMP ² _{DIR}	JMP ³ _{EXT}	JMP ⁴ _{IX2}	JMP ³ _{IX1}	JMP ² _{IX}		C
	D	BRCLR6 ⁵ ₃ DIR	BCLR6 ⁵ ₂ DIR	BMS ³ _{REL}	TST ⁴ _{DIR}	TSTA ³ _{INH}	TSTX ³ _{INH}	TST ⁵ _{IX1}	TST ⁴ _{IX}	NOP ² _{INH}		BSR ⁶ _{REL}	JSR ⁵ _{DIR}	JSR ⁶ _{EXT}	JSR ⁷ _{IX2}	JSR ⁶ _{IX1}	JSR ⁵ _{IX}		D
	E	BRSET7 ⁵ ₃ DIR	BSET7 ⁵ ₂ DIR	BIL ³ _{REL}						STOP ² _{INH}		LDX ² _{IMM}	LDX ³ _{DIR}	LDX ⁴ _{EXT}	LDX ⁵ _{IX2}	LDX ⁴ _{IX1}	LDX ³ _{IX}		E
	F	BRCLR7 ⁵ ₃ DIR	BCLR7 ⁵ ₂ DIR	BIH ³ _{REL}	CLR ⁵ _{DIR}	CLRA ³ _{INH}	CLR ³ _{INH}	CLR ⁶ _{IX1}	CLR ⁵ _{IX}	WAIT ² _{INH}	TXA ² _{INH}		STX ⁴ _{DIR}	STX ⁵ _{EXT}	STX ⁶ _{IX2}	STX ⁵ _{IX1}	STX ⁴ _{IX}		F

INH = Inherent
 IMM = Immediate
 DIR = Direct
 EXT = Extended
 REL = Relative
 IX = Indexed, No Offset
 IX1 = Indexed, 8-Bit Offset
 IX2 = Indexed, 16-Bit Offset

LSB of Opcode in Hexadecimal

MSB	0	MSB of Opcode in Hexadecimal
LSB	BRSET0 ⁵ ₃ DIR	Number of Cycles Opcode Mnemonic Number of Bytes/Addressing Mode

SECTION 11 ELECTRICAL SPECIFICATIONS

This section provides the electrical and timing specifications for the MC68HC05J5A.

11.1 MAXIMUM RATINGS

(Voltages referenced to V_{SS})

Rating	Symbol	Value	Unit
Supply Voltage	V_{DD}	-0.3 to +7.0	V
Test Mode (\overline{IRQ} Pin Only)	V_{IN}	$V_{SS} - 0.3$ to $2V_{DD} + 0.3$	V
Current Drain Per Pin Excluding PB1, PB2, V_{DD} and V_{SS}	I	25	mA
Operating Junction Temperature	T_J	+150	°C
Storage Temperature Range	T_{stg}	-65 to +150	°C

NOTE

Maximum ratings are the extreme limits the device can be exposed to without causing permanent damage to the chip. The device is **not** intended to operate at these conditions.

The MCU contains circuitry that protect the inputs against damage from high static voltages; however, do not apply voltages higher than those shown in the table below. Keep V_{IN} and V_{OUT} within the range from $V_{SS} \leq (V_{IN} \text{ or } V_{OUT}) \leq V_{DD}$. Connect unused inputs to the appropriate voltage level, either V_{SS} or V_{DD} .

11.2 THERMAL CHARACTERISTICS

Characteristic	Symbol	Value	Unit
Thermal Resistance PDIP	θ_{JA}	60	°C/W
SOIC	θ_{JA}	60	°C/W

11.3 FUNCTIONAL OPERATING RANGE

Characteristic	Symbol	Value	Unit
Operating Temperature Range	T_A	0 to +70	°C
Operating Voltage Range	V_{DD}	5.0 ±10% 2.2 ±10%	V

ELECTRICAL SPECIFICATIONS

11.4 DC ELECTRICAL CHARACTERISTICS

Table 11-1. DC Electrical Characteristics, $V_{DD}=5V$

Characteristic ¹	Symbol	Min	Typ ²	Max	Unit
Output Voltage $I_{Load} = 10.0 \mu A$	V_{OL} V_{OH}	— $V_{DD} - 0.1$	— —	0.1 —	V
Output High Voltage ($I_{Load} = -0.8 mA$) PA0-5, PB0, PB3-5	V_{OH}	$V_{DD} - 0.8$	—	—	V
Output Low Voltage ($I_{Load} = 1.6 mA$) PA0-3, PB0, PB3-5 ($I_{Load} = 8 mA$) PA4-7 ($I_{Load} = 25 mA$) PB1, PB2 (see note 8)	V_{OL}	— — —	— — —	0.4 0.4 0.5	V
Input High Voltage PA0-5, PB0-5, \overline{IRQ} , \overline{RESET} , OSC1	V_{IH}	$0.7 \times V_{DD}$	—	V_{DD}	V
Input Low Voltage PA0-5, PB0-5, \overline{IRQ} , \overline{RESET} , OSC1	V_{IL}	V_{SS}	—	$0.2 \times V_{DD}$	V
Positive-Going Input Threshold Voltage PA6, PA7	V_{T+}	—	1.7	—	V
Negative-Going Input Threshold Voltage PA6, PA7	V_{T-}	—	1.15	—	V
Supply Current RUN ³ WAIT ⁴ STOP ⁵ LVR on LVR off	I_{DD}	— — — —	6 2 — —	8 4 80 40	mA mA μA μA
I/O Ports Hi-Z Leakage Current PA0-7, PB0-5 (without individual pull-down/up activated)	I_Z	—	—	± 10	μA
Input Pull-down Current PA0-5, PB0, PB3-5 (with individual pull-down activated)	I_{IL}	50	100	200	μA
Input Pull-up Current \overline{RESET}	—	-140	-180	-240	μA
Input Current \overline{IRQ} , OSC1	I_{in}	—	—	± 1	μA
Capacitance Ports (as Input or Output) \overline{RESET} , \overline{IRQ} , OSC1, OSC2/R	C_{out} C_{in}	— —	— —	12 8	pF pF
Crystal/Ceramic Resonator Oscillator Mode Internal Resistor OSC1 to OSC2/R	R_{OSC}	—	3	—	$M\Omega$

Freescale Semiconductor, Inc.

Table 11-1. DC Electrical Characteristics, $V_{DD}=5V$

Characteristic ¹	Symbol	Min	Typ ²	Max	Unit
Pull-up Resistor PA6, PA7 ⁶ PB1, PB2	R_{PULLUP}	2 15	5 30	10 60	K Ω K Ω
LVR Trigger Voltage	V_{LVRI}	2.52	2.8	—	V
TCAP Input Threshold Voltage	V_{TCAP}	—	$V_{DD}/2$	—	V

- $V_{DD} = 5.0Vdc \pm 10\%$, $V_{SS} = 0Vdc$, $T_A = 0^\circ C$ to $+70^\circ C$, unless otherwise noted.
- Typical values reflect average measurements at midpoint of voltage range, $25^\circ C$ only.
- Run (Operating) I_{DD} , Wait I_{DD} : Measured using external square wave clock source to OSC1 ($f_{OSC} = 2.0 MHz$), all inputs 0.2 Vdc from rail; no DC loads, less than 50pF on all outputs, $C_L = 20 pF$ on OSC2/R.
- Wait I_{DD} : Only MFT and Timer1 active.
Wait I_{DD} is affected linearly by the OSC2/R capacitance.
- Stop I_{DD} measured with OSC1 = V_{SS} .
- Input voltage level on PA6 or PA7 higher than 2.4V is guaranteed to be recognized as logical one and as logic zero if lower than 0.8V. PA6 and PA7 pull-up resistor values are specified under the condition that pin voltage ranges from 0V to 2.4V.

Table 11-2. DC Electrical Characteristics, $V_{DD}=2.2V$

Characteristic ¹	Symbol	Min	Typ ²	Max	Unit
Output Voltage $I_{Load} = 10.0 \mu A$	V_{OL} V_{OH}	— $V_{DD} - 0.1$	— —	0.1 —	V
Output High Voltage ($I_{Load} = -0.4 mA$) PA0-5, PB0, PB3-5	V_{OH}	$V_{DD} - 0.3$	—	—	V
Output Low Voltage ($I_{Load} = 0.8 mA$) PA0-3, PB0, PB3-5 ($I_{Load} = 2 mA$) PA4-7 ($I_{Load} = 8 mA$) PB1, PB2 (see note 8)	V_{OL}	— — —	— — —	0.3 0.3 0.4	V
Input High Voltage PA0-5, PB0-5, \overline{IRQ} , \overline{RESET} , OSC1	V_{IH}	$0.7 \times V_{DD}$	—	V_{DD}	V
Input Low Voltage PA0-5, PB0-5, \overline{IRQ} , \overline{RESET} , OSC1	V_{IL}	V_{SS}	—	$0.2 \times V_{DD}$	V
Positive-Going Input Threshold Voltage PA6, PA7	V_{T+}	—	0.7	—	V
Negative-Going Input Threshold Voltage PA6, PA7	V_{T-}	—	0.5	—	V
Supply Current RUN ³ WAIT ⁴ STOP ⁵ (LVR off)	I_{DD}	— — —	1 0.2 6	2 0.4 15	mA mA μA

ELECTRICAL SPECIFICATIONS

Table 11-2. DC Electrical Characteristics, $V_{DD}=2.2V$

Characteristic ¹	Symbol	Min	Typ ²	Max	Unit
I/O Ports Hi-Z Leakage Current PA0-7, PB0-5 (without individual pull-down/up activated)	I_Z	—	—	± 10	μA
Input Pull-down Current PA0-5, PB0, PB3-5 (with individual pull-down activated)	I_{IL}	50	100	200	μA
Input Pull-up Current RESET	—	-10	-20	-45	μA
Input Current IRQ, OSC1	I_{in}	—	—	± 1	μA
Capacitance Ports (as Input or Output) RESET, IRQ, OSC1, OSC2/R	C_{out} C_{in}	— —	— —	12 8	pF pF
Crystal/Ceramic Resonator Oscillator Mode Internal Resistor OSC1 to OSC2/R	R_{OSC}	—	3	—	$M\Omega$
Pull-up Resistor PA6, PA7 ⁶ PB1, PB2	R_{PULLUP}	2 15	5 30	10 60	$K\Omega$ $K\Omega$
LVR Trigger Voltage	LVR must be disabled (mask option) for $V_{DD}=2.2V$				
TCAP Input Threshold Voltage	V_{TCAP}	—	$V_{DD}/2$	—	V

1. $V_{DD} = 2.2Vdc \pm 10\%$, $V_{SS} = 0 Vdc$, $T_A = 0^\circ C$ to $+70^\circ C$, unless otherwise noted.
2. Typical values reflect average measurements at midpoint of voltage range, $25^\circ C$ only.
3. Run (Operating) I_{DD} , Wait I_{DD} : Measured using external square wave clock source to OSC1 ($f_{OSC} = 2.0 MHz$), all inputs 0.2 Vdc from rail; no DC loads, less than 50pF on all outputs, $C_L = 20 pF$ on OSC2/R.
4. Wait I_{DD} : Only MFT and Timer1 active.
Wait I_{DD} is affected linearly by the OSC2/R capacitance.
5. Stop I_{DD} measured with $OSC1 = V_{SS}$.
6. Input voltage level on PA6 or PA7 higher than 2.4V is guaranteed to be recognized as logical one and as logic zero if lower than 0.8V. PA6 and PA7 pull-up resistor values are specified under the condition that pin voltage ranges from 0V to 2.4V.

Freescale Semiconductor, Inc.

11.5 CONTROL TIMING

Table 11-3. Control Timing, $V_{DD}=5V$

Characteristic ¹	Symbol	Min	Max	Units
Frequency of Operation Crystal Oscillator Option External Clock Source	f_{OSC} f_{OSC}	— DC	4.2 4.2	MHz MHz
Internal Operating Frequency Crystal Oscillator ($f_{OSC} \div 2$) External Clock ($f_{OSC} \div 2$)	f_{OP} f_{OP}	— DC	2.1 2.1	MHz MHz
Cycle Time ($1/f_{OP}$)	t_{CYC}	415	—	ns
RESET Pulse Width Low	t_{RL}	1.5	—	t_{CYC}
IRQ Interrupt Pulse Width Low (Edge-Triggered)	t_{LILH}	0.5	—	t_{CYC}
IRQ Interrupt Pulse Period	t_{LIL}	see note ²	—	t_{CYC}
PA0 to PA3 Interrupt Pulse Width High (Edge-Triggered)	t_{IHIL}	0.5	—	t_{CYC}
PA0 to PA3 Interrupt Pulse Period	t_{IHILH}	see note 3	—	t_{CYC}
PA7 Interrupt Pulse Width Low	t_{LILH}	0.5	—	t_{CYC}
OSC1 Pulse Width	t_{OH}, t_{OL}	200	—	ns
Output High to Low Transition Period on PA6, PA7, PB1 ³	t_{SLOW}	0.5 (typical)		t_{CYC}

- $V_{DD} = 5.0Vdc \pm 10\%$, $V_{SS} = 0 Vdc$, $T_A = 0^\circ C$ to $+70^\circ C$, unless otherwise noted.
- The minimum period t_{LIL} or t_{IHILH} should not be less than the number of cycles it takes to execute the interrupt service routine plus $19 t_{CYC}$.
- t_{slow} is a parameter dependent on f_{OSC} and loading.

Table 11-4. Control Timing, $V_{DD}=2.2V$

Characteristic ¹	Symbol	Min	Max	Units
Frequency of Operation Crystal Oscillator Option External Clock Source	f_{OSC} f_{OSC}	— DC	2.1 2.1	MHz MHz

- $V_{DD} = 2.2Vdc \pm 10\%$, $V_{SS} = 0 Vdc$, $T_A = 0^\circ C$ to $+70^\circ C$, unless otherwise noted.

Freescale Semiconductor, Inc.

GENERAL RELEASE SPECIFICATION July 16, 1999

Freescale Semiconductor, Inc.

ELECTRICAL SPECIFICATIONS

MC68HC05J5A
REV 2.1

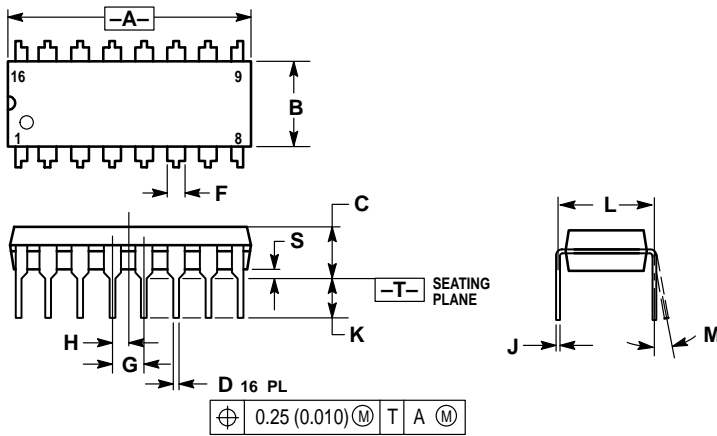
11-6

**For More Information On This Product,
Go to: www.freescale.com**

SECTION 12 MECHANICAL SPECIFICATIONS

This section provides the mechanical dimensions for the four available packages for MC68HC05J5A.

12.1 16-PIN PDIP (CASE #648)



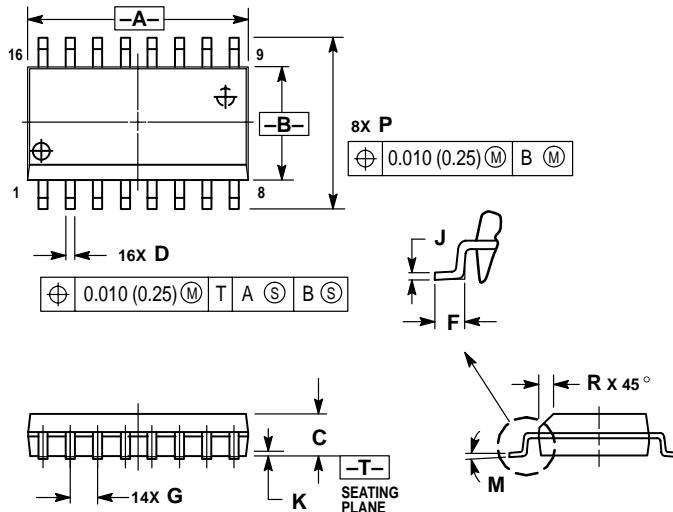
NOTES:

1. DIMENSIONING AND TOLERANCING PER ANSI Y14.5M, 1982.
2. CONTROLLING DIMENSION: INCH.
3. DIMENSION L TO CENTER OF LEADS WHEN FORMED PARALLEL.
4. DIMENSION B DOES NOT INCLUDE MOLD FLASH.
5. ROUNDED CORNERS OPTIONAL.

DIM	INCHES		MILLIMETERS	
	MIN	MAX	MIN	MAX
A	0.740	0.770	18.80	19.55
B	0.250	0.270	6.35	6.85
C	0.145	0.175	3.69	4.44
D	0.015	0.021	0.39	0.53
F	0.040	0.70	1.02	1.77
G	0.100 BSC		2.54 BSC	
H	0.050 BSC		1.27 BSC	
J	0.008	0.015	0.21	0.38
K	0.110	0.130	2.80	3.30
L	0.295	0.305	7.50	7.74
M	0° 10°		0° 10°	
S	0.020	0.040	0.51	1.01

Figure 12-1. 16-Pin PDIP Mechanical Dimensions

12.2 16-PIN SOIC (CASE #751G)



NOTES:

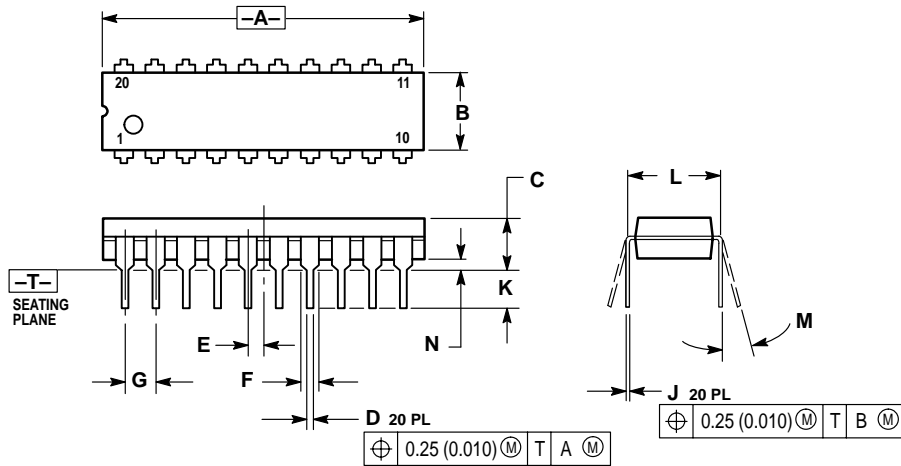
1. DIMENSIONING AND TOLERANCING PER ANSI Y14.5M, 1982.
2. CONTROLLING DIMENSION: MILLIMETER.
3. DIMENSIONS A AND B DO NOT INCLUDE MOLD PROTRUSION.
4. MAXIMUM MOLD PROTRUSION 0.15 (0.006) PER SIDE.
5. DIMENSION D DOES NOT INCLUDE DAMBAR PROTRUSION. ALLOWABLE DAMBAR PROTRUSION SHALL BE 0.13 (0.005) TOTAL IN EXCESS OF D DIMENSION AT MAXIMUM MATERIAL CONDITION.

DIM	MILLIMETERS		INCHES	
	MIN	MAX	MIN	MAX
A	10.15	10.45	0.400	0.411
B	7.40	7.60	0.292	0.299
C	2.35	2.65	0.093	0.104
D	0.35	0.49	0.014	0.019
F	0.50	0.90	0.020	0.035
G	1.27 BSC		0.050 BSC	
J	0.25	0.32	0.010	0.012
K	0.10	0.25	0.004	0.009
M	0° 7°		0° 7°	
P	10.05	10.55	0.395	0.415
R	0.25	0.75	0.010	0.029

Figure 12-2. 16-Pin SOIC Mechanical Dimensions

MECHANICAL SPECIFICATIONS

12.3 20-PIN PDIP (CASE #738)

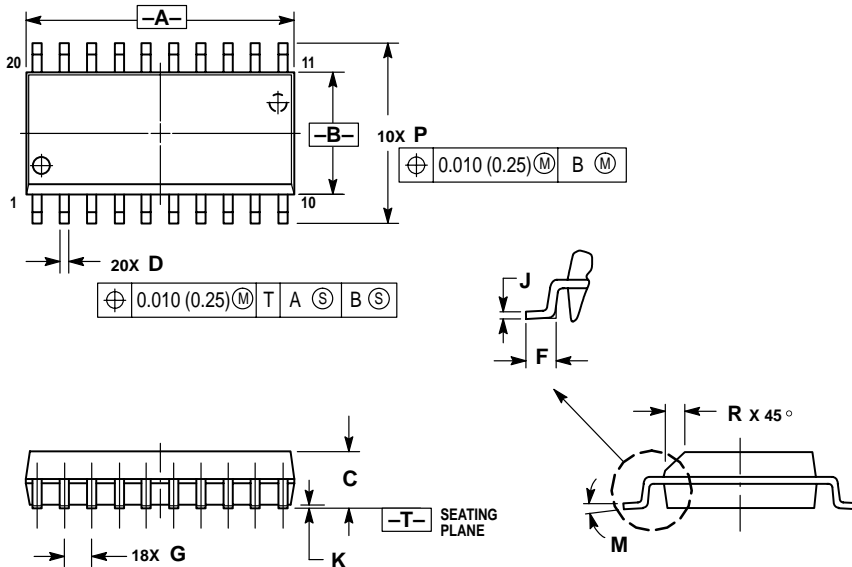


- NOTES:
1. DIMENSIONING AND TOLERANCING PER ANSI Y14.5M, 1982.
 2. CONTROLLING DIMENSION: INCH.
 3. DIMENSION L TO CENTER OF LEAD WHEN FORMED PARALLEL.
 4. DIMENSION B DOES NOT INCLUDE MOLD FLASH.

DIM	INCHES		MILLIMETERS	
	MIN	MAX	MIN	MAX
A	1.010	1.070	25.66	27.17
B	0.240	0.260	6.10	6.60
C	0.150	0.180	3.81	4.57
D	0.015	0.022	0.39	0.55
E	0.050 BSC 1.27 BSC			
F	0.050	0.070	1.27	1.77
G	0.100 BSC 2.54 BSC			
J	0.008	0.015	0.21	0.38
K	0.110	0.140	2.80	3.55
L	0.300 BSC 7.62 BSC			
M	0° 15°		0° 15°	
N	0.020	0.040	0.51	1.01

Figure 12-3. 20-Pin PDIP Mechanical Dimensions

12.4 20-PIN SOIC (CASE #751D)



- NOTES:
1. DIMENSIONING AND TOLERANCING PER ANSI Y14.5M, 1982.
 2. CONTROLLING DIMENSION: MILLIMETER.
 3. DIMENSIONS A AND B DO NOT INCLUDE MOLD PROTRUSION.
 4. MAXIMUM MOLD PROTRUSION 0.150 (0.006) PER SIDE.
 5. DIMENSION D DOES NOT INCLUDE DAMBAR PROTRUSION. ALLOWABLE DAMBAR PROTRUSION SHALL BE 0.13 (0.005) TOTAL IN EXCESS OF D DIMENSION AT MAXIMUM MATERIAL CONDITION.

DIM	MILLIMETERS		INCHES	
	MIN	MAX	MIN	MAX
A	12.65	12.95	0.499	0.510
B	7.40	7.60	0.292	0.299
C	2.35	2.65	0.093	0.104
D	0.35	0.49	0.014	0.019
F	0.50	0.90	0.020	0.035
G	1.27 BSC		0.050 BSC	
J	0.25	0.32	0.010	0.012
K	0.10	0.25	0.004	0.009
M	0° 7°		0° 7°	
P	10.05	10.55	0.395	0.415
R	0.25	0.75	0.010	0.029

Figure 12-4. 20-Pin SOIC Mechanical Dimensions

APPENDIX A MC68HRC05J5A

This appendix describes the MC68HRC05J5A, a resistor-capacitor (RC) oscillator mask option version of the MC68HC05J5A. The entire MC68HC05J5A data sheet applies to the MC68HRC05J5A, with exceptions outlined in this appendix.

A.1 INTRODUCTION

The MC68HRC05J5A is a resistor-capacitor (RC) oscillator mask option version of the MC68HC05J5A. The MC68HRC05J5A is functionally identical to the MC68HC05J5A with the exception that the MC68HRC05J5A supports the RC oscillator only, as outlined in **Appendix A.2**.

A.2 RC OSCILLATOR CONNECTIONS

This is the only oscillator option supported by the MC68HRC05J5A device.

On the MC68HRC05J5A device, an external resistor is connected between OSC2/R pin and the V_{SS} pin as shown in **Figure A-1**. The typical operating frequency f_{OSC} is set at 4MHz with the external R tied to V_{SS} . Use the graph in **Figure A-2** to select the value of R for the required oscillator frequency.

The tolerance of this RC oscillator is guaranteed to be no greater than $\pm 15\%$ at the specified conditions of 0°C to 40°C and $5\text{V} \pm 10\% V_{DD}$ providing that the tolerance of the external resistor R is at most $\pm 1\%$ and the center frequency range is from 3.8MHz to 4.2MHz. The center frequency is the nominal operating frequency of the RC oscillator and can be adjusted by adjusting the external R value to change the internal VCO charging current.

In order to obtain an oscillator clock with the best possible tolerance, the external resistor connected to the OSC2/R pin should be grounded as close to the VSS pin as possible and the other terminal of this external resistor should be connected as close to the OSC2/R pin as possible.

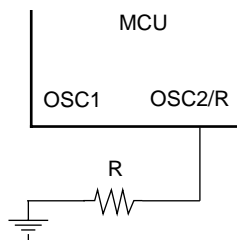


Figure A-1. RC Oscillator Connections

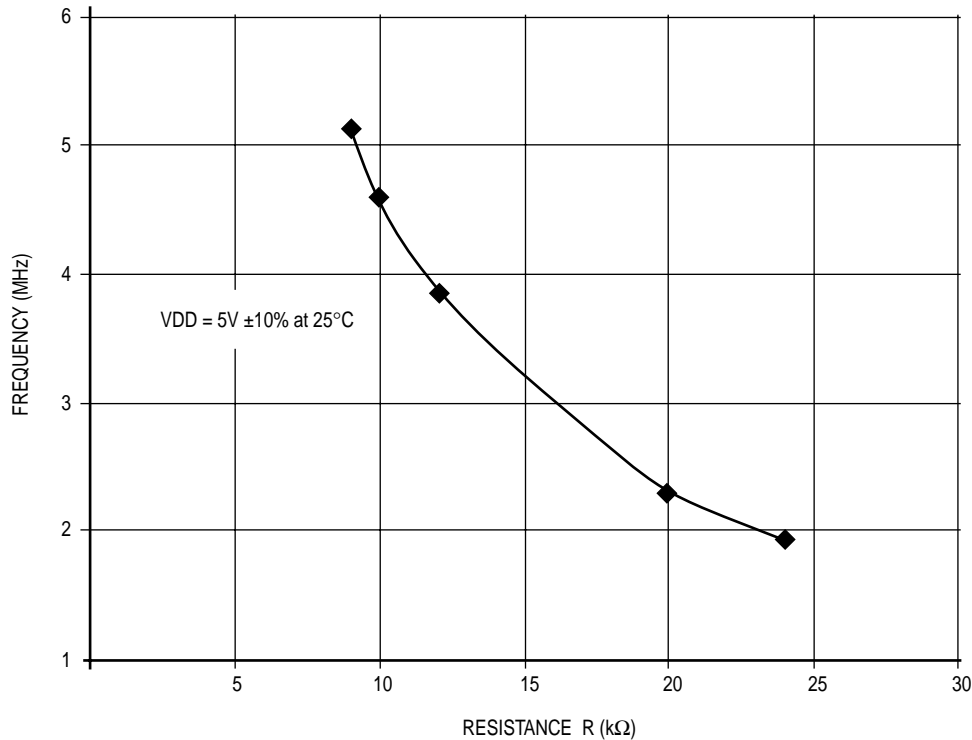


Figure A-2. Typical Internal Operating Frequency for RC Oscillator Connections

A.3 ELECTRICAL CHARACTERISTICS

Table A-1. Functional Operating Range

Characteristic	Symbol	Value	Unit
Operating Temperature Range	T _A	0 to +70	°C
Operating Voltage Range	V _{DD}	5.0 ±10%	V

Table A-2. DC Electrical Characteristics, V_{DD}=5V

Characteristic ¹	Symbol	Min	Typ ²	Max	Unit	
Supply Current						
RUN ³	I _{DD}	—	6	8	mA	
WAIT ⁴		—	2	4	mA	
STOP		—	—	—	—	—
LVR on		—	40	80	μA	
LVR off		—	20	40	μA	

- V_{DD} = 5.0Vdc ±10%, V_{SS} = 0 Vdc, T_A = 0°C to +70°C, unless otherwise noted.
- Typical values reflect average measurements at midpoint of voltage range, 25°C only.
- Run (Operating) I_{DD}, Wait I_{DD}: Measured using external square wave clock source to OSC1 (f_{OSC} = 2.0 MHz), all inputs 0.2 Vdc from rail; no DC loads, less than 50pF on all outputs, C_L = 20 pF on OSC2/R.
- Wait I_{DD}: Only MFT and Timer1 active.
Wait I_{DD} is affected linearly by the OSC2/R capacitance.

APPENDIX B MC68HC705J5A

This appendix describes the MC68HC705J5A, the emulation part for MC68HC05J5A. The entire MC68HC05J5A data sheet applies to the MC68HC705J5A, with exceptions outlined in this appendix.

B.1 INTRODUCTION

The MC68HC705J5A is an EPROM version of the MC68HC05J5A, and is available for user system evaluation and debugging. The MC68HC705J5A is functionally identical to the MC68HC05J5A with the exception of the 2560 bytes user ROM is replaced by 2560 bytes user EPROM. Also, the mask options available on the MC68HC05J5A are implemented using the Mask Option Register (MOR) in the MC68HC705J5A.

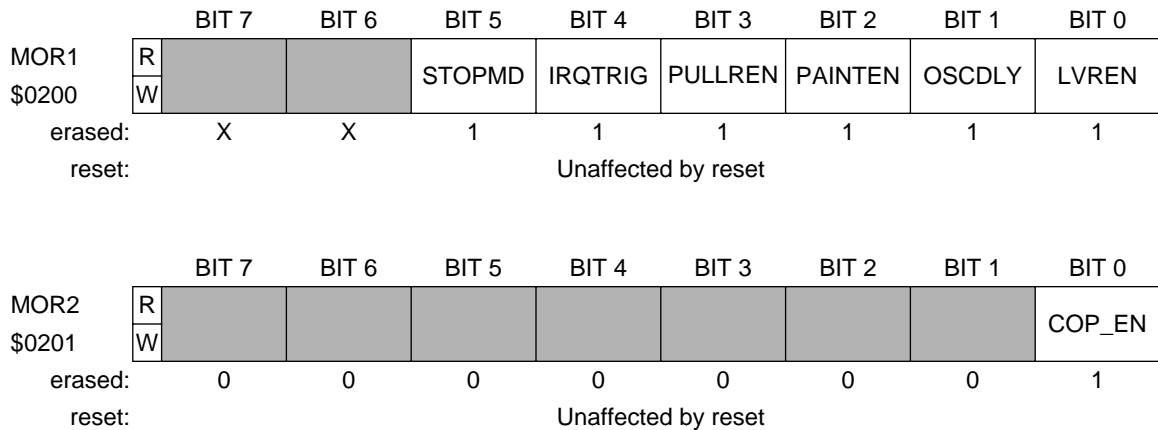
The MC68HC705J5A is not available in the 16-pin SOIC package.

B.2 MEMORY

The MC68HC705J5A memory map is shown in **Figure B-1**.

B.3 MASK OPTION REGISTERS (MOR)

The Mask Option Register (MOR) consists of two bytes of EPROM used to select the features controlled by mask options on the MC68HC05J5A. In order to program this register the MORON bit in PCR need to be set to "1" before doing the EPROM programming process.



STOPMD — STOP Mode Option

- 1 = STOP mode is selected.
- 0 = STOP mode is converted to HALT mode.

IRQTRIG — IRQ, PA0-PA3 Interrupt Option

- 1 = Edge-triggered only.
- 0 = Edge-and-level-triggered.

PULLREN — Port A and B Pull-up/down Option

- 1 = Connected.
- 0 = Disconnected

PAINTEN — PA0-PA3 External Interrupt Option

- 1 = External interrupt capability on PA0-PA3 disabled.
- 0 = External interrupt capability on PA0-PA3 enabled.

OSCDLY — Oscillator Delay Option

- 1 = 224 internal clock cycles.
- 0 = 4064 internal clock cycles.

LVREN — LVR Option

- 1 = Low Voltage Reset circuit enabled.
- 0 = Low Voltage Reset circuit disabled.

COP_EN — COP Watchdog Timer Option

- 1 = Disabled.
- 0 = Enabled.

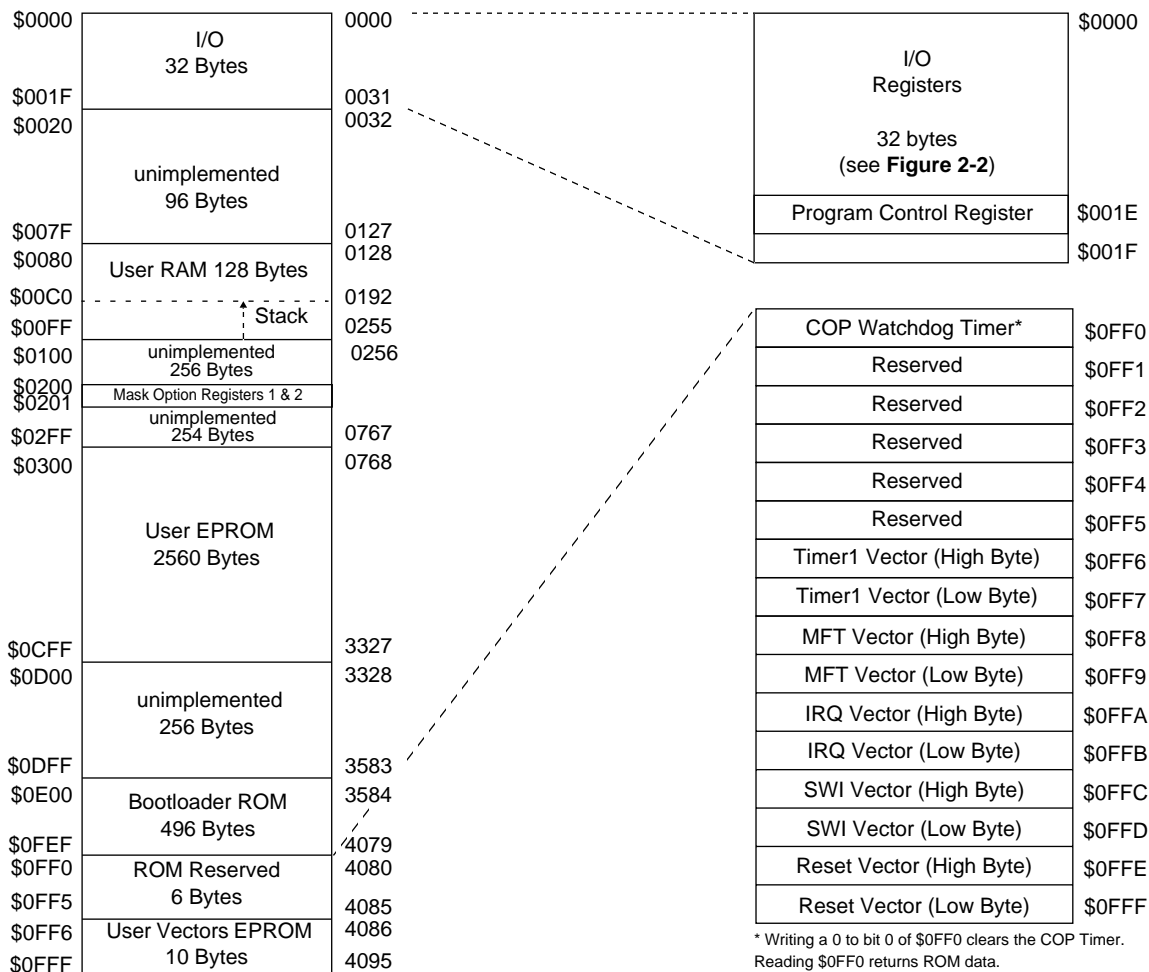


Figure B-1. MC68HC705J5A Memory Map

B.4 BOOTSTRAP MODE

Bootloader mode is entered upon the rising edge of $\overline{\text{RESET}}$ if the $\overline{\text{IRQ}}/V_{\text{PP}}$ pin is at V_{TST} and the PB0 pin is at logic zero. The Bootloader program is masked in the ROM area from \$0E00 to \$0FEF. This program handles copying of user code from an external EPROM into the on-chip EPROM. The bootload function has to be done from an external EPROM. The bootloader performs one programming pass at 1 ms per byte then does a verify pass.

The user code must be a one-to-one correspondence with the internal EPROM addresses.

B.5 EPROM PROGRAMMING

Programming the on-chip EPROM is achieved by using the Program Control Register located at address \$3E.

Please contact Motorola for programming board availability.

B.5.1 EPROM Program Control Register (PCR)

This register is provided for programming the on-chip EPROM in the MC68HC705J5A.

	BIT 7	BIT 6	BIT 5	BIT 4	BIT 3	BIT 2	BIT 1	BIT 0	
PCR	R	0	0	0	0	0	MORON	ELAT	PGM
\$001E	W	R	R	R	R				
reset:	0	0	0	0	0	0	0	0	

R = Reserved

MORON – Mask Option Register ON

- 0 = Disable programming to Mask Option Register (\$0200 & \$0201)
- 1 = Enable programming to Mask Option Register (\$0200 & \$0201)

ELAT – EPROM LATch control

- 0 = EPROM address and data bus configured for normal reads
- 1 = EPROM address and data bus configured for programming (writes to EPROM cause address and data to be latched). EPROM is in programming mode and cannot be read if ELAT is 1. This bit should not be set when no programming voltage is applied to the V_{pp} pin.

PGM – EPROM ProGraM command

- 0 = Programming power is switched OFF from EPROM array.
- 1 = Programming power is switched ON to EPROM array. If $\text{ELAT} \neq 1$, then $\text{PGM} = 0$.

Bits [7:3] – Reserved

These are reserved bits and should remain zero.

B.5.2 Programming Sequence

The EPROM programming sequence is:

1. Set the ELAT bit
2. Write the data to the address to be programmed
3. Set the PGM bit
4. Delay for a time t_{PGMR}
5. Clear the PGM bit
6. Clear the ELAT bit

The last two steps must be performed with separate CPU writes.

CAUTION

It is important to remember that an external programming voltage must be applied to the V_{PP} pin while programming, but it should be equal to V_{DD} during normal operations.

Figure B-2 shows the flow required to successfully program the EPROM.

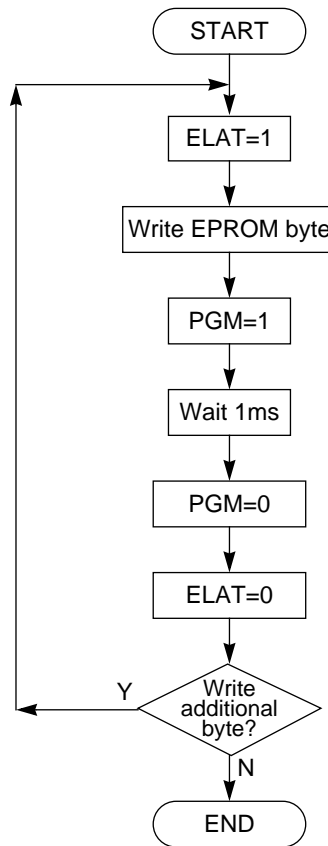


Figure B-2. EPROM Programming Sequence

B.6 ELECTRICAL CHARACTERISTICS

Table B-1. Functional Operating Range

Characteristic	Symbol	Value	Unit
Operating Temperature Range	T_A	-40 to +85	°C
Operating Voltage Range	V_{DD}	5.0 ±10%	V

Table B-2. EPROM Programming Electrical Characteristics

Characteristic	Symbol	Min	Typ	Max	Unit
Programming Voltage \overline{IRQ}/V_{PP}	V_{PP}	10	12	15	V
Programming Current \overline{IRQ}/V_{PP}	I_{PP}	—	3	—	mA
Programming Time per byte	t_{EPGM}	1	4	—	ms

Table B-3. DC Electrical Characteristics, $V_{DD}=5V$

Characteristic ¹	Symbol	Min	Typ ²	Max	Unit
Output Voltage $I_{Load} = 10.0 \mu A$	V_{OL} V_{OH}	— $V_{DD} - 0.1$	— —	0.1 —	V
Output High Voltage ($I_{Load} = -0.8 mA$) PA0-5, PB0, PB3-5	V_{OH}	$V_{DD} - 0.8$	—	—	V
Output Low Voltage ($I_{Load} = 1.6 mA$) PA0-3, PB0, PB3-5 ($I_{Load} = 8 mA$) PA4, PA5 ($I_{Load} = 6 mA$) PA6, PA7 ($I_{Load} = 25 mA$) PB1, PB2 (see note 8)	V_{OL}	— — — —	— — — —	0.4 0.4 0.4 0.5	V
Input High Voltage PA0-5, PB0-5, \overline{IRQ} , \overline{RESET} , OSC1	V_{IH}	$0.7 \times V_{DD}$	—	V_{DD}	V
Input Low Voltage PA0-5, PB0-5, \overline{IRQ} , \overline{RESET} , OSC1	V_{IL}	V_{SS}	—	$0.2 \times V_{DD}$	V
Positive-Going Input Threshold Voltage PA6, PA7	V_{T+}	—	1.7	—	V
Negative-Going Input Threshold Voltage PA6, PA7	V_{T-}	—	1.15	—	V

Table B-3. DC Electrical Characteristics, $V_{DD}=5V$

Characteristic ¹	Symbol	Min	Typ ²	Max	Unit
Supply Current RUN ³ WAIT ⁴ STOP ⁵ LVR on LVR off	I_{DD}	— — — —	6 2 40 10	10 4 80 30	mA mA μ A μ A
I/O Ports Hi-Z Leakage Current PA0-7, PB0-5 (without individual pull-down/up activated)	I_Z	—	—	± 10	μ A
Input Pull-down Current PA0-5, PB0, PB3-5 (with individual pull-down activated)	I_{IL}	50	100	200	μ A
Input Pull-up Current \overline{RESET}	—	-50	-100	-200	μ A
Input Current \overline{IRQ} , OSC1	I_{in}	—	—	± 1	μ A
Capacitance Ports (as Input or Output) \overline{RESET} , \overline{IRQ} , OSC1, OSC2/R	C_{out} C_{in}	— —	— —	12 8	pF pF
Crystal/Ceramic Resonator Oscillator Mode Internal Resistor OSC1 to OSC2/R	R_{OSC}	—	2	—	M Ω
Pull-up Resistor PA6, PA7 ⁶ PB1, PB2	R_{PULLUP}	2 10	5 30	10 60	K Ω K Ω
LVR Trigger Voltage	V_{LVRI}	2.7	3.0	—	V
TCAP Input Threshold Voltage	V_{TCAP}	—	$V_{DD}/2$	—	V

1. $V_{DD} = 5.0V_{dc} \pm 10\%$, $V_{SS} = 0V_{dc}$, $T_A = -40^\circ C$ to $+85^\circ C$, unless otherwise noted.

2. Typical values reflect average measurements at midpoint of voltage range, 25°C only.

3. Run (Operating) I_{DD} , Wait I_{DD} : Measured using external square wave clock source to OSC1 ($f_{OSC} = 2.0$ MHz), all inputs 0.2 Vdc from rail; no DC loads, less than 50pF on all outputs, $C_L = 20$ pF on OSC2/R.

4. Wait I_{DD} : Only MFT and Timer1 active.
Wait I_{DD} is affected linearly by the OSC2/R capacitance.

5. Stop I_{DD} measured with OSC1 = V_{SS} .

6. Input voltage level on PA6 or PA7 higher than 2.4V is guaranteed to be recognized as logical one and as logic zero if lower than 0.8V. PA6 and PA7 pull-up resistor values are specified under the condition that pin voltage ranges from 0V to 2.4V.

Freescale Semiconductor, Inc.

GENERAL RELEASE SPECIFICATION July 16, 1999

Freescale Semiconductor, Inc.

APPENDIX C

MC68HRC705J5A

This appendix describes the MC68HRC705J5A, the emulation part for MC68HRC05J5A, and a resistor-capacitor (RC) oscillator mask option version of the MC68HC705J5A. The entire MC68HC05J5A data sheet and appendix B applies to the MC68HRC705J5A, with exceptions outlined in this appendix.

C.1 INTRODUCTION

The MC68HRC705J5A is a resistor-capacitor (RC) oscillator mask option version of the MC68HC705J5A (see **Appendix B**). The MC68HRC705J5A is functionally identical to the MC68HC705J5A with the exception that the MC68HRC705J5A supports the RC oscillator only, as outlined in **Appendix C.2**.

The MC68HRC705J5A is not available in the 16-pin SOIC package.

C.2 RC OSCILLATOR CONNECTIONS

This is the only oscillator option supported by the MC68HRC705J5A device.

On the MC68HRC705J5A device, an external resistor is connected between OSC2/R pin and the V_{SS} pin as shown in **Figure C-1**. The typical operating frequency f_{OSC} is set at 4MHz with the external R tied to V_{SS} . Use the graph in **Figure C-2** to select the value of R for the required oscillator frequency.

The tolerance of this RC oscillator is guaranteed to be no greater than $\pm 15\%$ at the specified conditions of 0°C to 40°C and $5\text{V} \pm 10\% V_{DD}$ providing that the tolerance of the external resistor R is at most $\pm 1\%$ and the center frequency range is from 3.8MHz to 4.2MHz. The center frequency is the nominal operating frequency of the RC oscillator and can be adjusted by adjusting the external R value to change the internal VCO charging current.

In order to obtain an oscillator clock with the best possible tolerance, the external resistor connected to the OSC2/R pin should be grounded as close to the VSS pin as possible and the other terminal of this external resistor should be connected as close to the OSC2/R pin as possible.

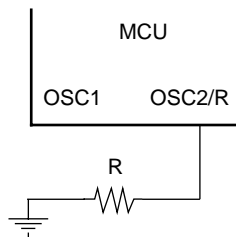


Figure C-1. RC Oscillator Connections

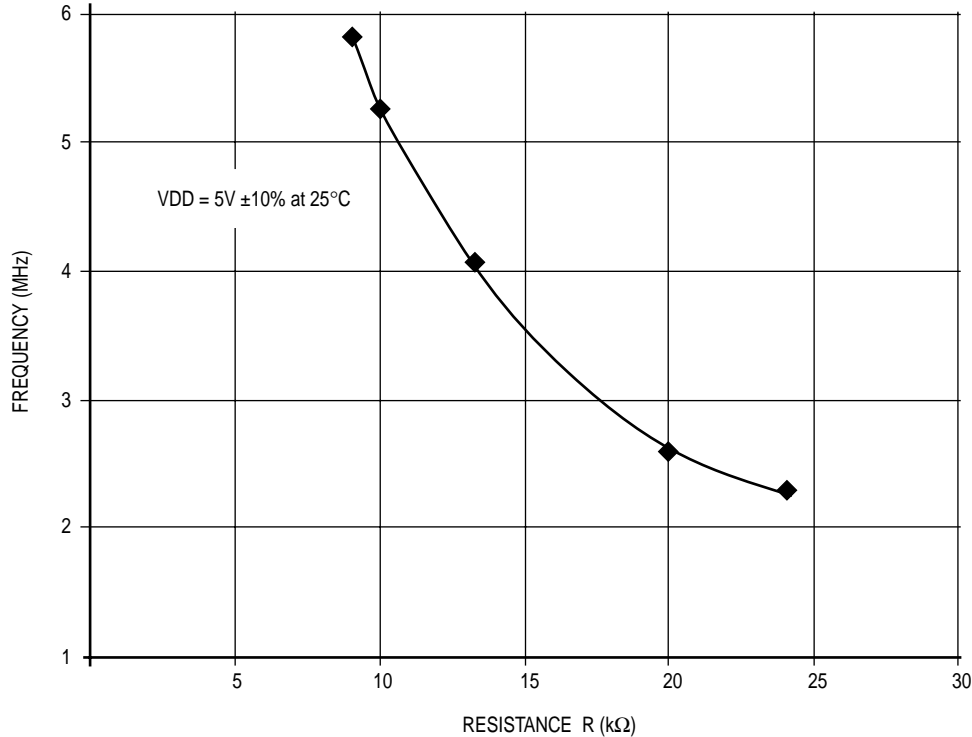


Figure C-2. Typical Internal Operating Frequency for RC Oscillator Connections

C.3 ELECTRICAL CHARACTERISTICS

Table C-1. Functional Operating Range

Characteristic	Symbol	Value	Unit
Operating Temperature Range	T _A	-40 to +85	°C
Operating Voltage Range	V _{DD}	5.0 ±10%	V

Table C-2. DC Electrical Characteristics, V_{DD}=5 V

Characteristic ¹	Symbol	Min	Typ ²	Max	Unit	
Supply Current						
RUN ³	I _{DD}	—	6	10	mA	
WAIT ⁴		—	2	4	mA	
STOP ⁵		—	—	—	—	—
LVR on		—	40	80	μA	
LVR off		—	10	30	μA	

- V_{DD} = 5.0Vdc ±10%, V_{SS} = 0 Vdc, T_A = -40°C to +85°C, unless otherwise noted.
- Typical values reflect average measurements at midpoint of voltage range, 25°C only.
- Run (Operating) I_{DD}, Wait I_{DD}: Measured using external square wave clock source to OSC1 (f_{OSC} = 2.0 MHz), all inputs 0.2 Vdc from rail; no DC loads, less than 50pF on all outputs, C_L = 20 pF on OSC2/R.
- Wait I_{DD}: Only MFT and Timer1 active.
Wait I_{DD} is affected linearly by the OSC2/R capacitance.
- Stop I_{DD} measured with OSC1 = V_{SS}.

**APPENDIX D
ORDERING INFORMATION**

This section contains ordering numbers for the MC68HC05J5A, MC68HRC05J5A, MC68HC705J5A, and MC68HRC705J5A.

D.1 MC ORDER NUMBERS

Table D-1. MC Order Numbers

MC Order Number	Pin Count	Package Type	Operating Temperature	Device Type
MC68HC05J5AJP	16	PDIP	0 °C to +70 °C	2560 bytes ROM, crystal/resonator or external oscillator option
MC68HC05J5AJDW	16	SOIC		
MC68HC05J5AP	20	PDIP		
MC68HC05J5ADW	20	SOIC		
MC68HRC05J5AJP	16	PDIP	0 °C to +70 °C	2560 bytes ROM, RC oscillator option
MC68HRC05J5AJDW	16	SOIC		
MC68HRC05J5AP	20	PDIP		
MC68HRC05J5ADW	20	SOIC		
MC68HC705J5ACJP	16	PDIP	-40 °C to +85 °C	2560 bytes OTPROM, crystal/resonator or external oscillator option
MC68HC705J5ACP	20	PDIP		
MC68HC705J5ACDW	20	SOIC		
MC68HRC705J5ACJP	16	PDIP	-40 °C to +85 °C	2560 bytes OTPROM, RC oscillator option
MC68HRC705J5ACP	20	PDIP		
MC68HRC705J5ACDW	20	SOIC		

NOTES:

- C = extended temperature
- P = plastic dual-in-line package (PDIP)
- DW = small outline integrated circuit (SOIC)

Freescale Semiconductor, Inc.

GENERAL RELEASE SPECIFICATION July 16, 1999

Freescale Semiconductor, Inc.

Freescale Semiconductor, Inc.

Home Page:

www.freescale.com

email:

support@freescale.com

USA/Europe or Locations Not Listed:

Freescale Semiconductor
Technical Information Center, CH370

1300 N. Alma School Road
Chandler, Arizona 85224

(800) 521-6274

480-768-2130

support@freescale.com

Europe, Middle East, and Africa:

Freescale Halbleiter Deutschland GmbH

Technical Information Center

Schatzbogen 7

81829 Muenchen, Germany

+44 1296 380 456 (English)

+46 8 52200080 (English)

+49 89 92103 559 (German)

+33 1 69 35 48 48 (French)

support@freescale.com

Japan:

Freescale Semiconductor Japan Ltd.

Headquarters

ARCO Tower 15F

1-8-1, Shimo-Meguro, Meguro-ku

Tokyo 153-0064, Japan

0120 191014

+81 2666 8080

support.japan@freescale.com

Asia/Pacific:

Freescale Semiconductor Hong Kong Ltd.

Technical Information Center

2 Dai King Street

Tai Po Industrial Estate,

Tai Po, N.T., Hong Kong

+800 2666 8080

support.asia@freescale.com

For Literature Requests Only:

Freescale Semiconductor

Literature Distribution Center

P.O. Box 5405

Denver, Colorado 80217

(800) 441-2447

303-675-2140

Fax: 303-675-2150

LDCForFreescaleSemiconductor@hibbertgroup.com

RoHS-compliant and/or Pb- free versions of Freescale products have the functionality and electrical characteristics of their non-RoHS-compliant and/or non-Pb- free counterparts. For further information, see <http://www.freescale.com> or contact your Freescale sales representative.

For information on Freescale's Environmental Products program, go to <http://www.freescale.com/epp>.

Information in this document is provided solely to enable system and software implementers to use Freescale Semiconductor products. There are no express or implied copyright licenses granted hereunder to design or fabricate any integrated circuits or integrated circuits based on the information in this document.

Freescale Semiconductor reserves the right to make changes without further notice to any products herein. Freescale Semiconductor makes no warranty, representation or guarantee regarding the suitability of its products for any particular purpose, nor does Freescale Semiconductor assume any liability arising out of the application or use of any product or circuit, and specifically disclaims any and all liability, including without limitation consequential or incidental damages. "Typical" parameters which may be provided in Freescale Semiconductor data sheets and/or specifications can and do vary in different applications and actual performance may vary over time. All operating parameters, including "Typicals" must be validated for each customer application by customer's technical experts. Freescale Semiconductor does not convey any license under its patent rights nor the rights of others. Freescale Semiconductor products are not designed, intended, or authorized for use as components in systems intended for surgical implant into the body, or other applications intended to support or sustain life, or for any other application in which the failure of the Freescale Semiconductor product could create a situation where personal injury or death may occur. Should Buyer purchase or use Freescale Semiconductor products for any such unintended or unauthorized application, Buyer shall indemnify and hold Freescale Semiconductor and its officers, employees, subsidiaries, affiliates, and distributors harmless against all claims, costs, damages, and expenses, and reasonable attorney fees arising out of, directly or indirectly, any claim of personal injury or death associated with such unintended or unauthorized use, even if such claim alleges that Freescale Semiconductor was negligent regarding the design or manufacture of the part.



**For More Information On This Product,
Go to: www.freescale.com**