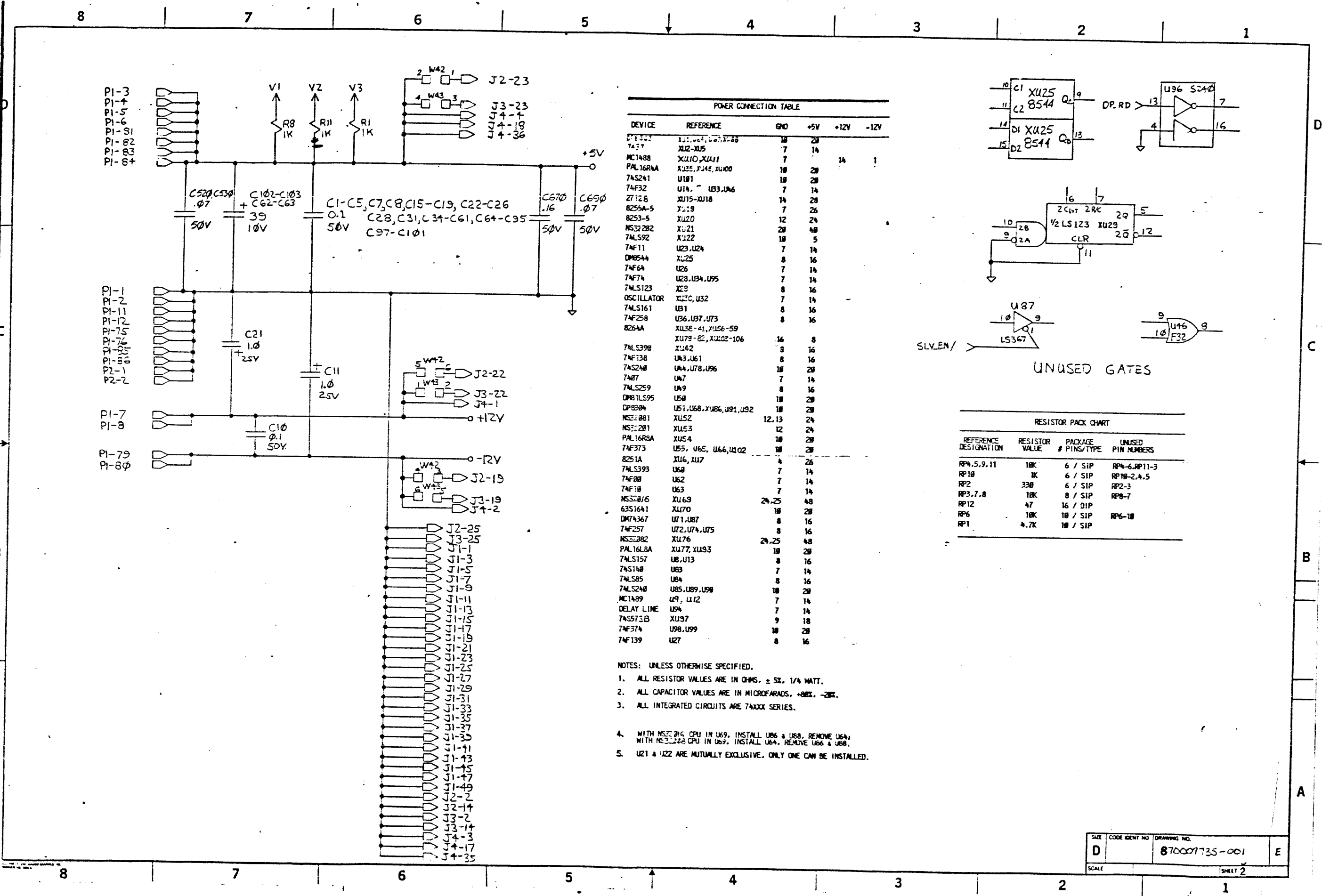


REV	DATE	BY	CHKD	DESCRIPTION
1	8/11/83
2
3
4
5
6
7
8

NATIONAL SEMICONDUCTOR CORPORATION
 2900 ZENITH DRIVE
 SANTA CLARA, CALIFORNIA 95051

SCHEMATIC,
 DB32016

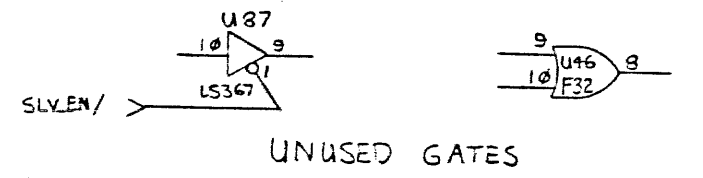
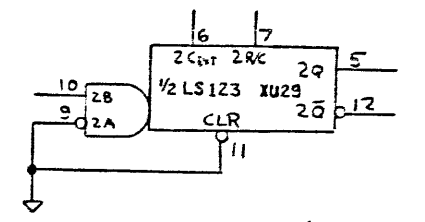
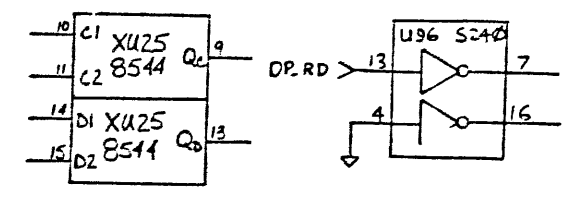
NONE
 1 OF 15 D 870007755-01 E



POWER CONNECTION TABLE

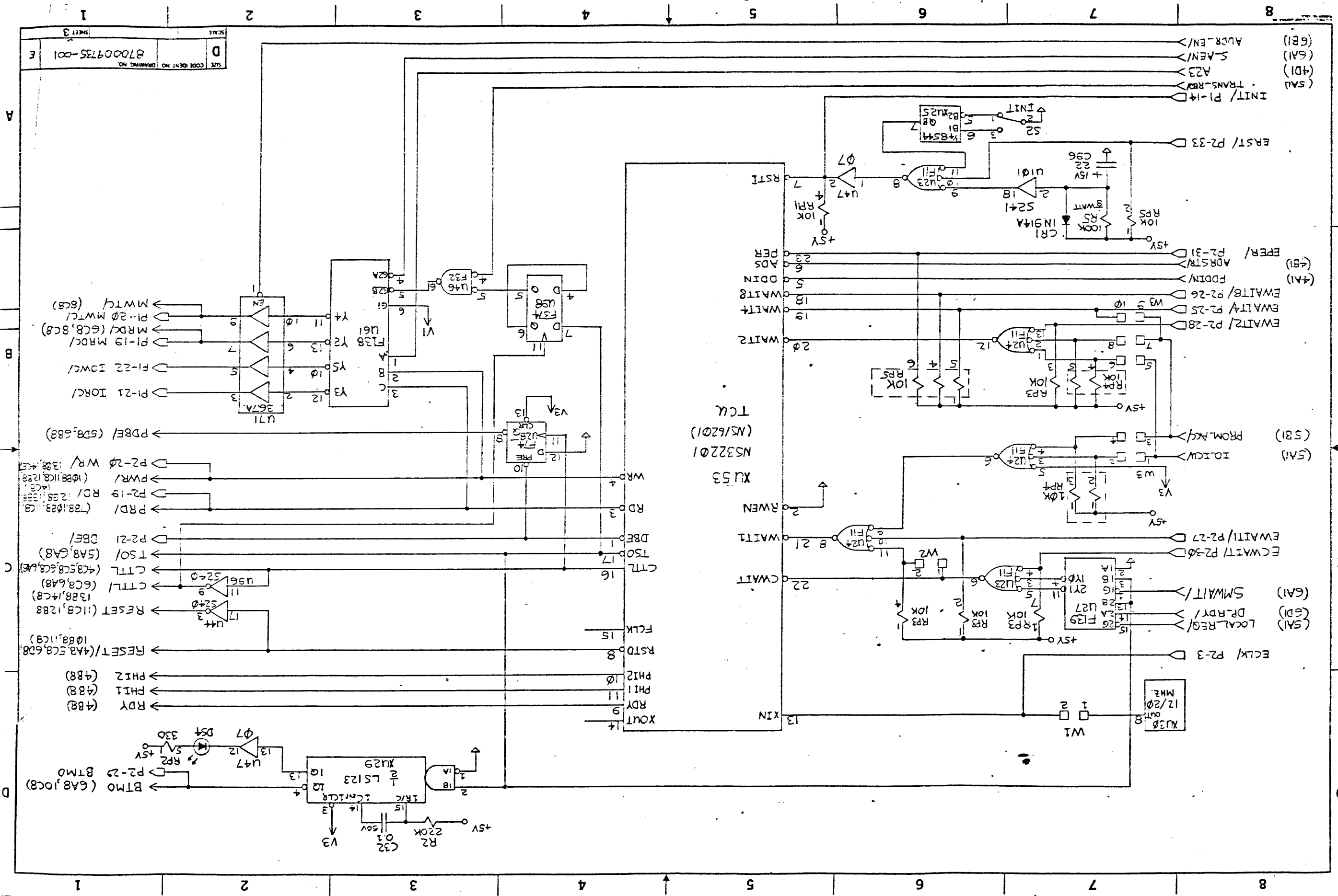
DEVICE	REFERENCE	6V0	+5V	+12V	-12V
MC1488	XU10, XU11	7	14		
PAL16R8A	XU15, XU16, XU17	10	20	14	1
74S241	U101	10	20		
74F32	U14, U13, U16	7	14		
Z1128	XU15-XU18	14	20		
8255A-5	XU19	7	26		
8253-5	XU20	12	24		
NS32282	XU21	20	40		
74LS92	XU22	10	5		
74F11	U23, U24	7	14		
DM8544	XU25	8	16		
74F64	U26	7	14		
74F74	U28, U34, U35	7	14		
74LS123	XU29	8	16		
OSCILLATOR	XU30, U32	7	14		
74LS161	U31	8	16		
74F258	U36, U37, U73	8	16		
8254A	XU38-41, XU56-59	16	8		
74LS398	XU42	8	16		
74F138	U43, U61	8	16		
74S248	U44, U78, U96	10	20		
74F87	U47	7	14		
74LS259	U49	8	16		
DM81LS95	U50	10	20		
DM8504	U51, U68, U86, U91, U92	10	20		
NS32081	XU52	12, 13	24		
NS32281	XU53	12	24		
PAL16R8A	XU54	10	20		
74F373	U55, U65, U66, U102	10	20		
8251A	XU16, XU17	4	26		
74LS393	U60	7	14		
74F00	U62	7	14		
74F10	U63	7	14		
NS32016	XU69	24, 25	48		
63S1641	XU70	10	20		
DM74367	U71, U87	8	16		
74F257	U72, U74, U75	8	16		
NS32282	XU76	24, 25	48		
PAL16L8A	XU77, XU93	10	20		
74LS157	U8, U13	8	16		
74S140	U83	7	14		
74LS85	U84	8	16		
74LS240	U85, U89, U90	10	20		
MC1489	U91, U12	7	14		
DELAY LINE	U94	7	14		
74S573B	XU97	9	18		
74F374	U98, U99	10	20		
74F139	U27	8	16		

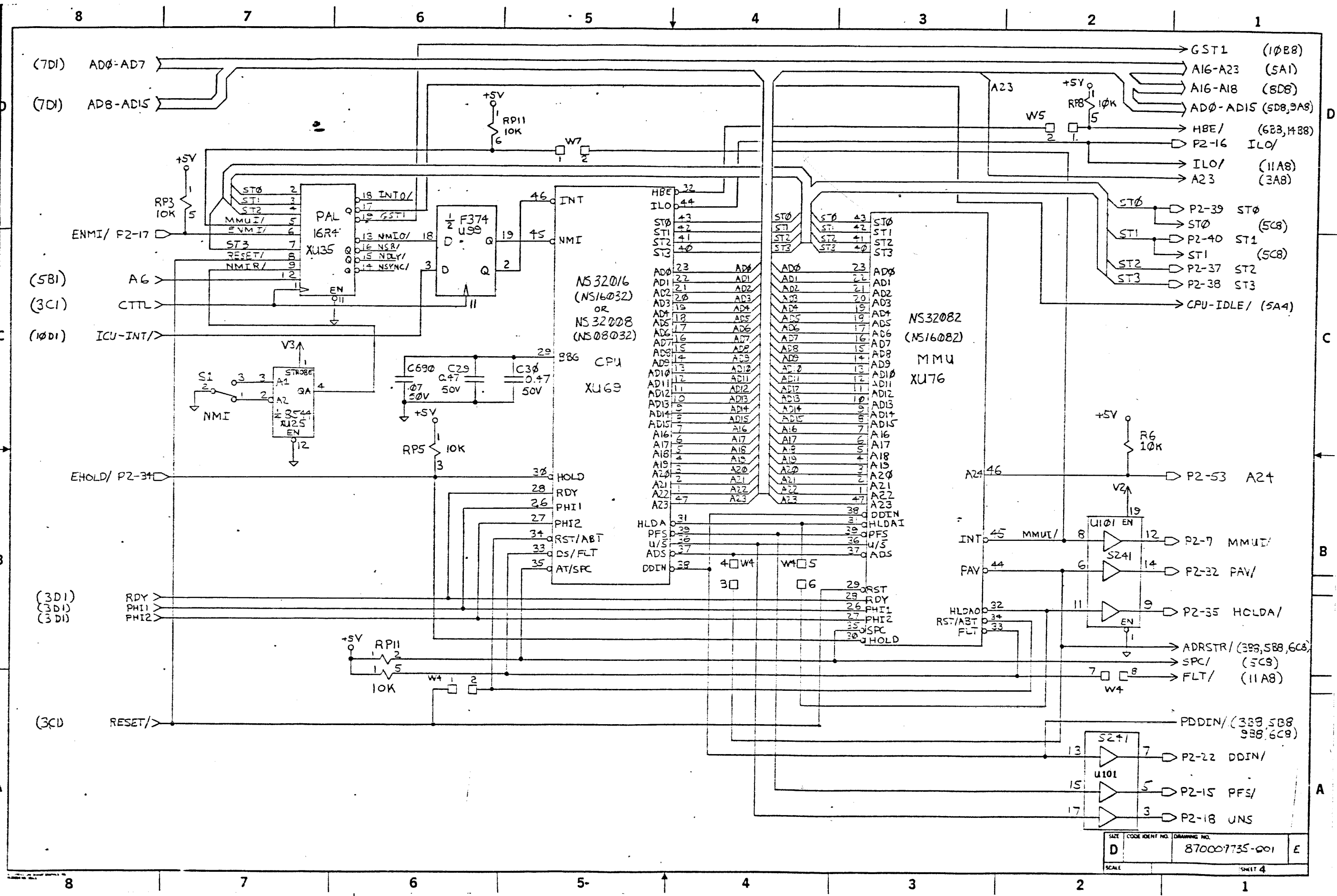
- NOTES: UNLESS OTHERWISE SPECIFIED.
- ALL RESISTOR VALUES ARE IN OHMS, ± 5%, 1/4 WATT.
 - ALL CAPACITOR VALUES ARE IN MICROFARADS, +80%, -20%.
 - ALL INTEGRATED CIRCUITS ARE 74XXX SERIES.
 - WITH NS32016 CPU IN U69, INSTALL U86 & U88, REMOVE U64.
WITH NS32282 CPU IN U69, INSTALL U64, REMOVE U66 & U88.
 - U21 & U22 ARE MUTUALLY EXCLUSIVE, ONLY ONE CAN BE INSTALLED.



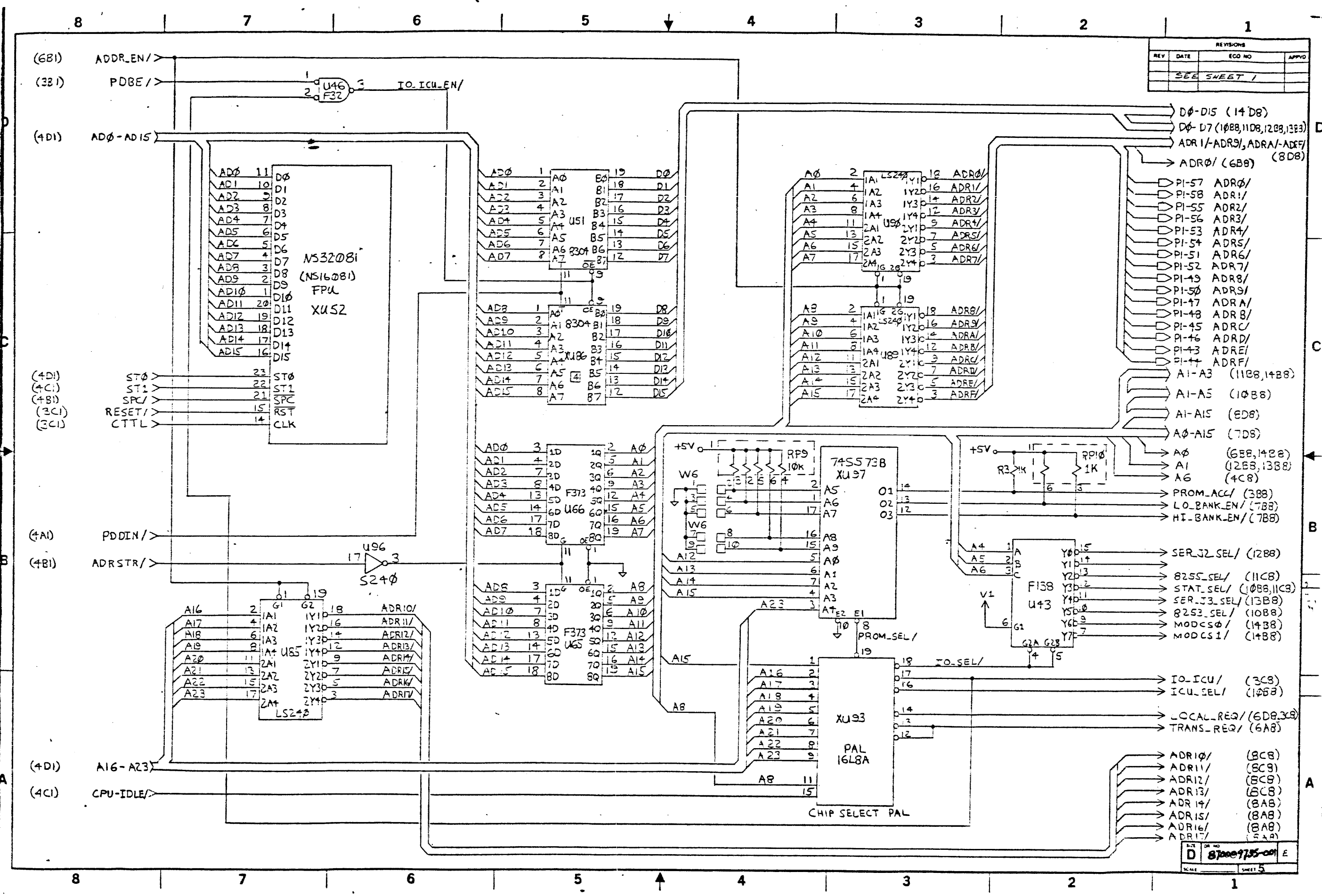
RESISTOR PACK CHART

REFERENCE DESIGNATION	RESISTOR VALUE	PACKAGE # PINS/TYP	UNUSED PIN NUMBERS
RP4, 5, 9, 11	10K	6 / SIP	RP4-6, RP11-3
RP10	1K	6 / SIP	RP10-2, 4, 5
RP2	330	6 / SIP	RP2-3
RP3, 7, 8	10K	8 / SIP	RP3-7
RP12	47	16 / DIP	
RP6	10K	10 / SIP	RP6-10
RP1	4.7K	10 / SIP	

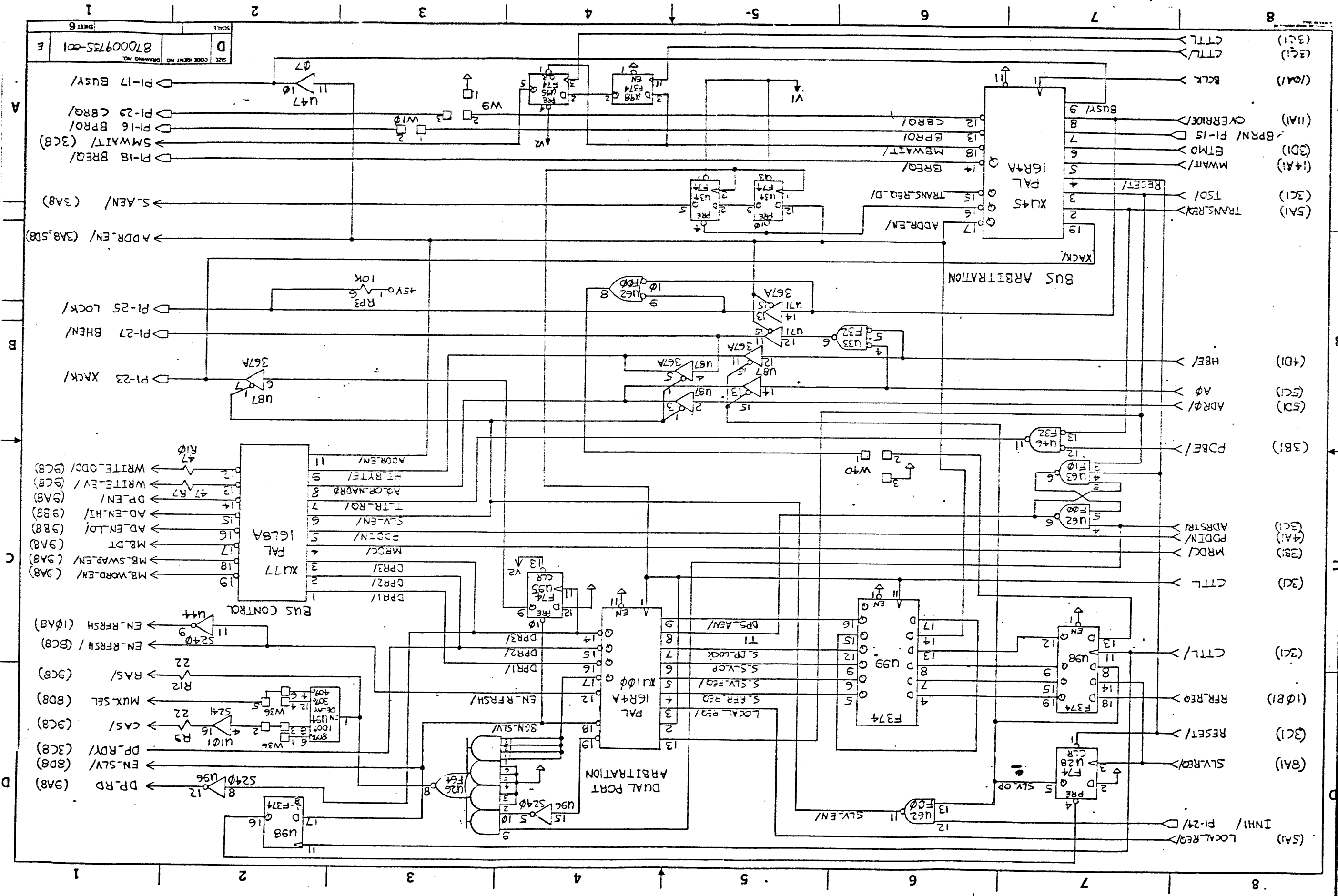




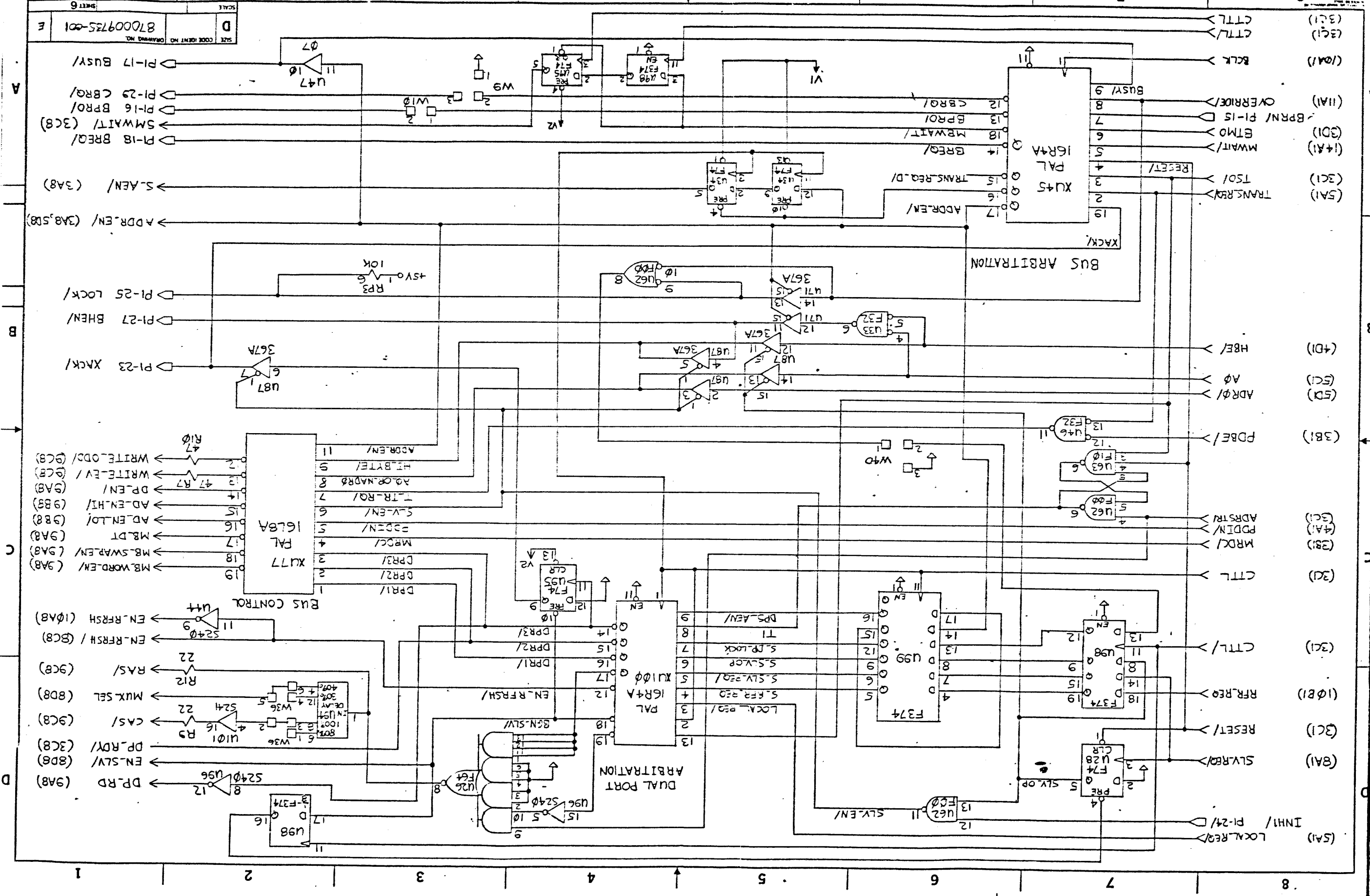
SIZE	CODE IDENT NO.	DRAWING NO.
D		870007735-001
SCALE	SHEET 4	



REVISIONS			
REV	DATE	ECO NO	APPROV
SEE SHEET 1			

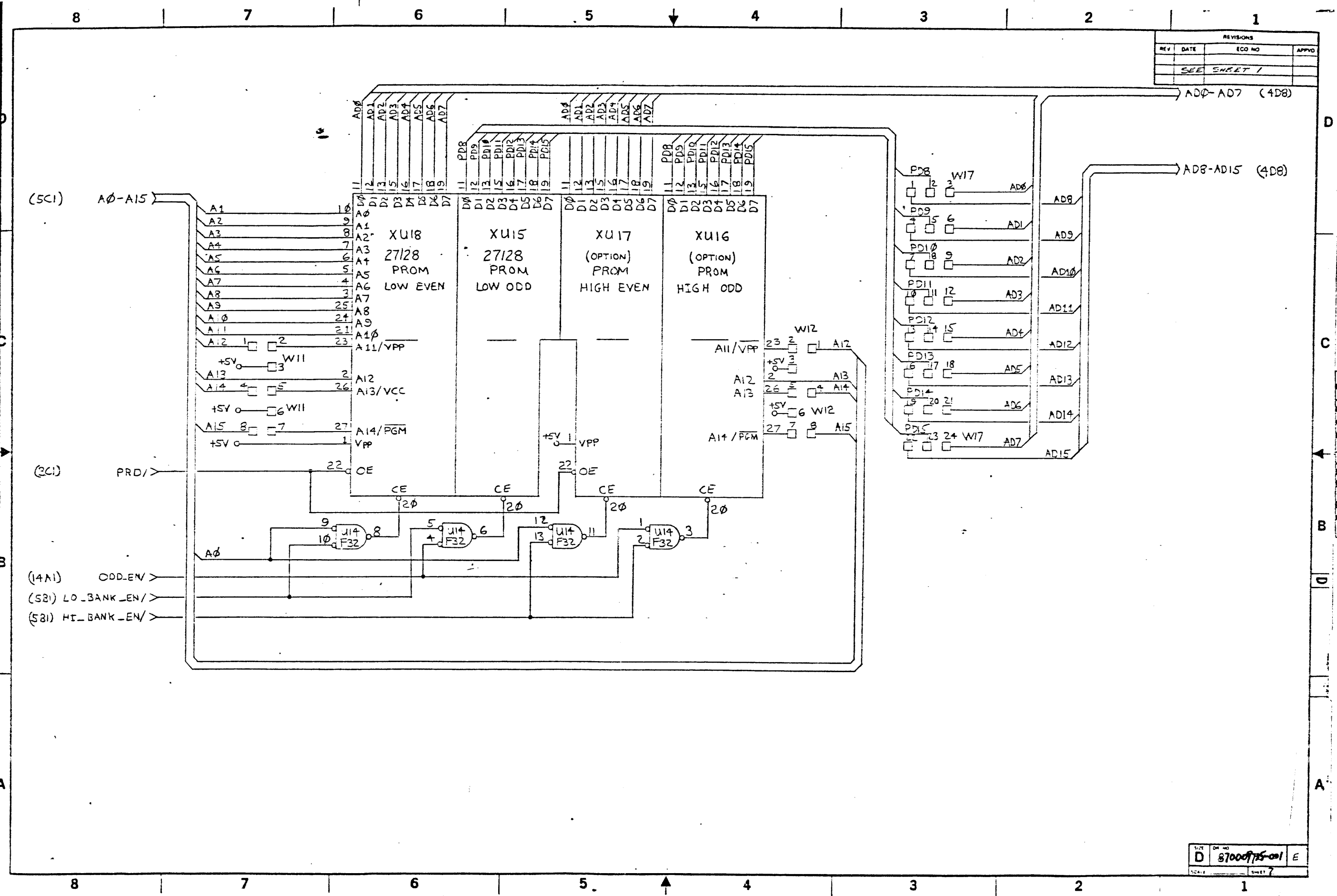


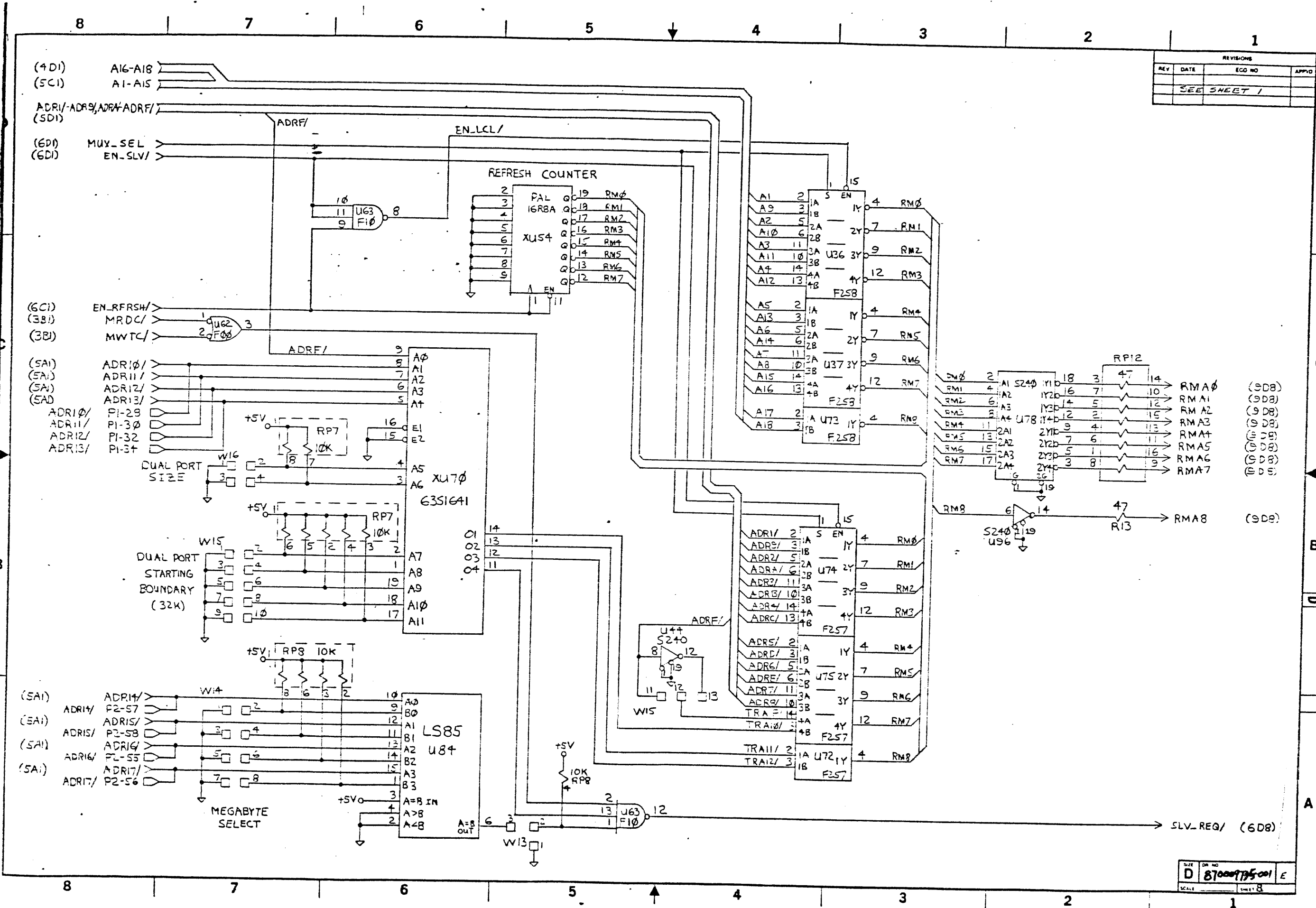
870009725-001
 D
 SCALE
 SHEET 6
 E



870009725-001
 D
 SCALE
 SHEET 6
 E

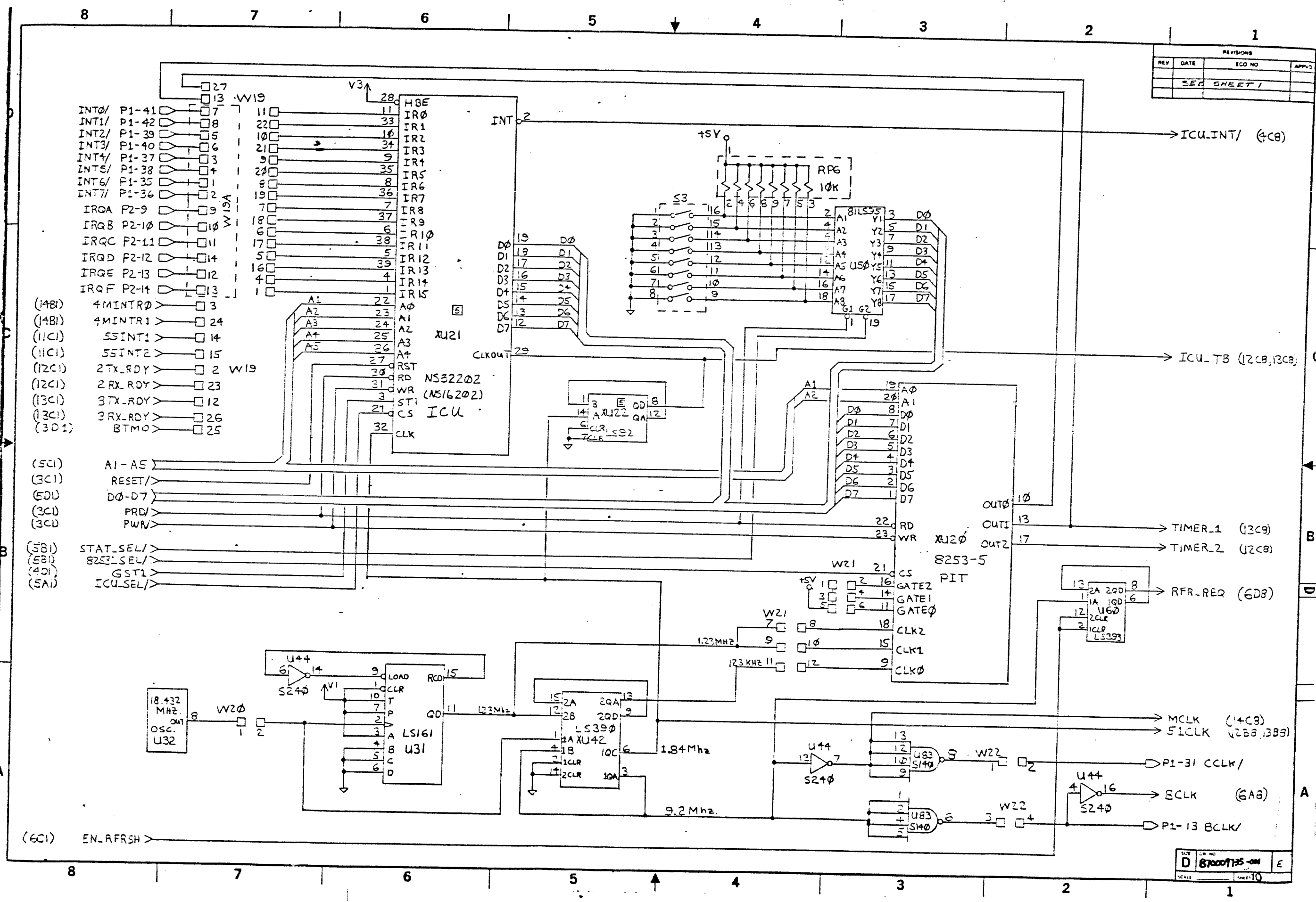
REVISIONS			
REV	DATE	ECO NO	APPRO
SEE SHEET 1			



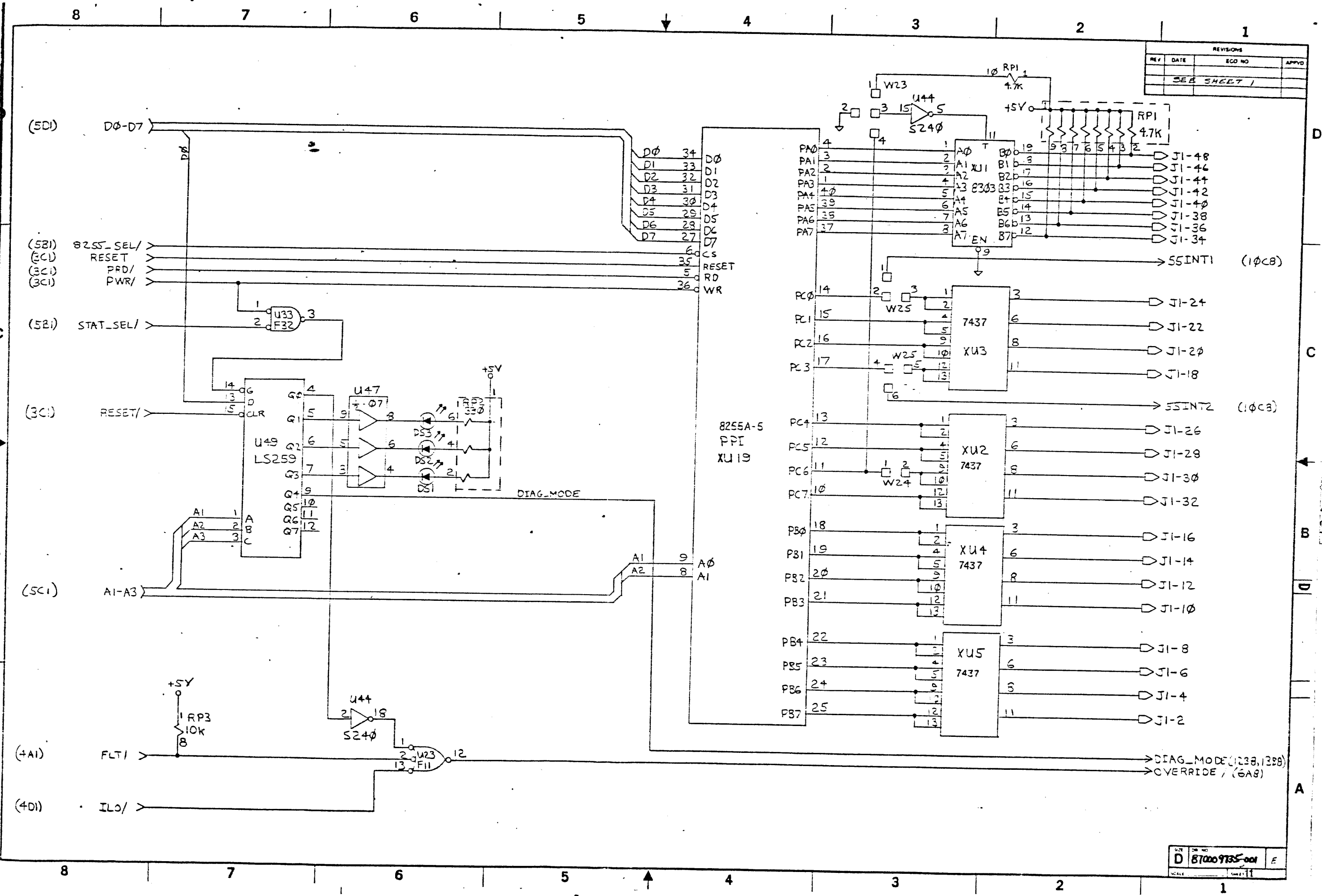


REVISIONS			
REV	DATE	ECO NO	APPRO
SEE SHEET 1			

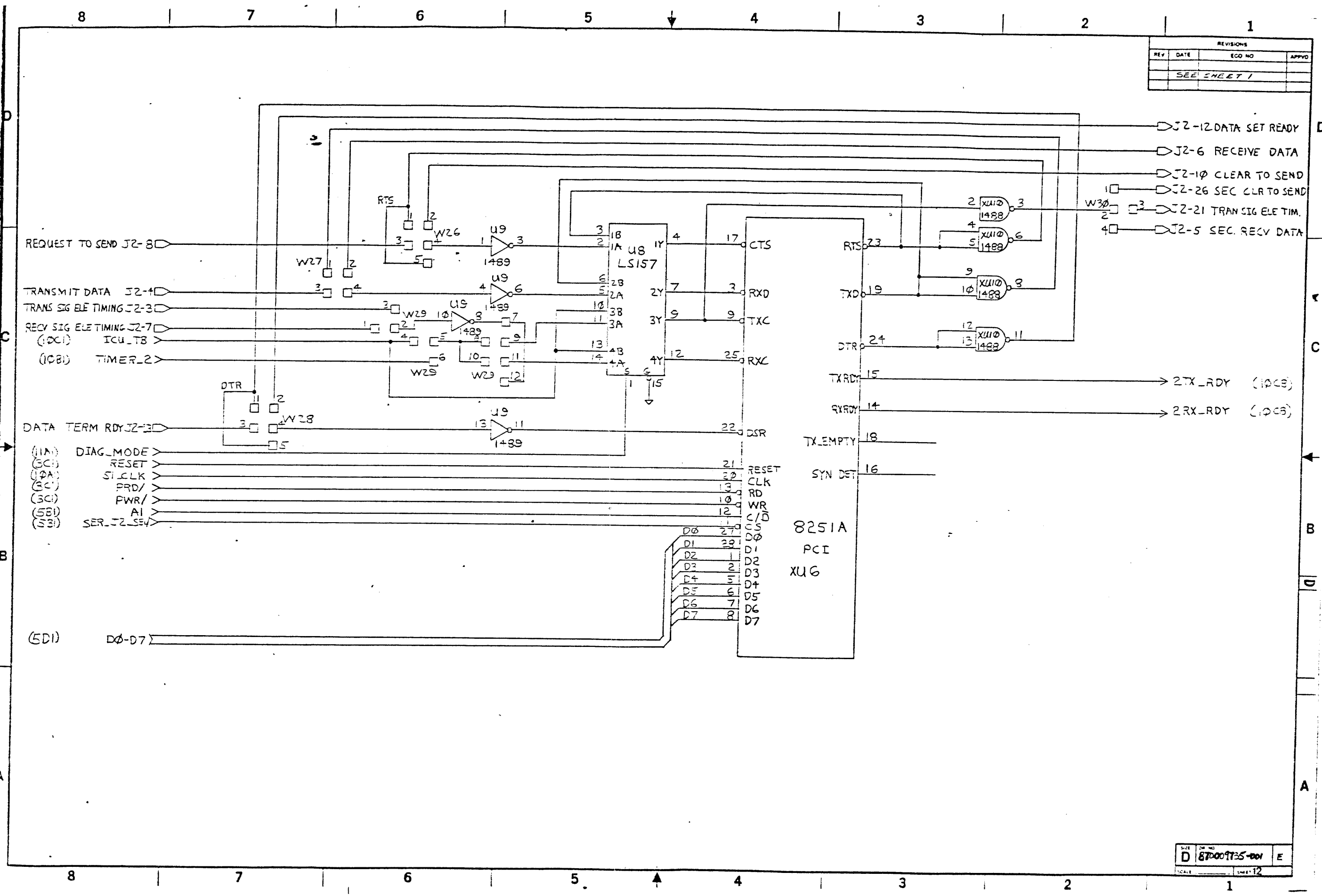
SIZE D 87000775001 E
 SCALE 1:1



REVISIONS			
REV	DATE	ECO NO	APPRO
SEP	SHEET 1		



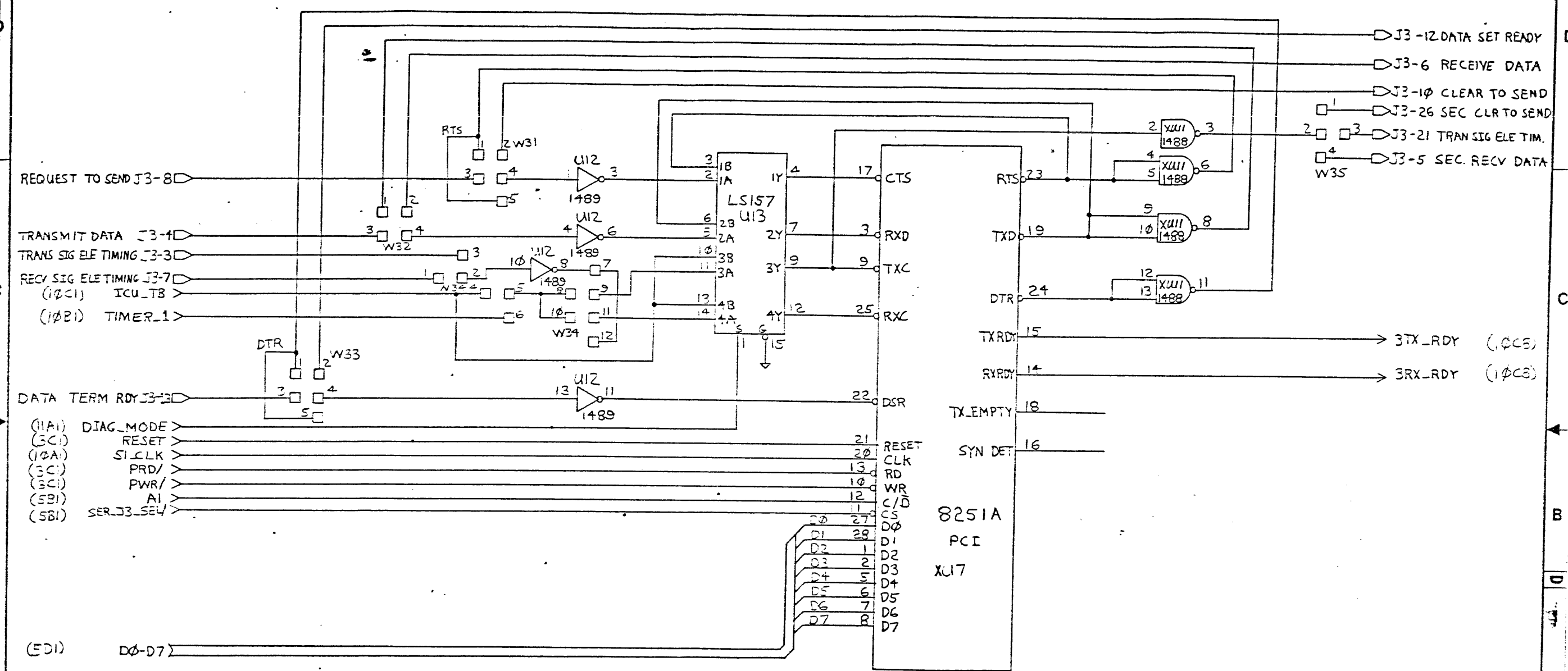
REVISIONS			
REV	DATE	ECO NO	APPROV
SEE SHEET 1			



REVISIONS			
REV	DATE	ECO NO	APPRO
SEE SHEET 1			

8 | 7 | 6 | 5 | 4 | 3 | 2 | 1

REVISIONS			
REV	DATE	ECO NO	APPROV
SEE SHEET 1			



REQUEST TO SEND J3-8
 TRANSMIT DATA J3-4
 TRANS SIG ELE TIMING J3-3
 RECV SIG ELE TIMING J3-7
 (I2C1) ICU_TB
 (I2B1) TIMER_1

DATA TERM RDY J3-13
 (11A) DIAG_MODE
 (3C) RESET
 (10A) SI_CLK
 (3C) PRD/
 (3C) PWR/
 (5B) AI
 (5B) SER_J3_SE4

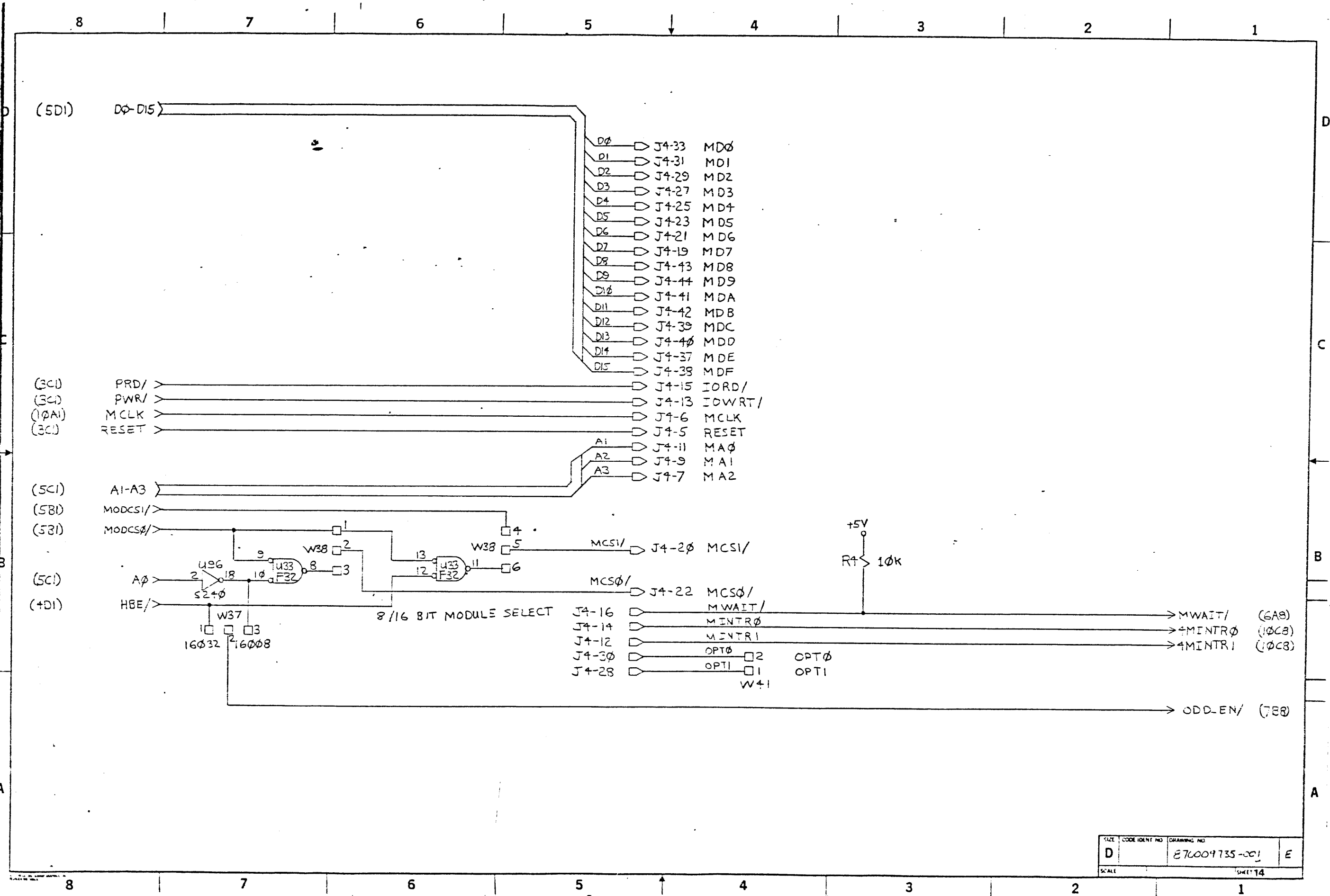
(E0) D0-D7

J3-12 DATA SET READY
 J3-6 RECEIVE DATA
 J3-10 CLEAR TO SEND
 J3-26 SEC CLR TO SEND
 J3-21 TRAN SIG ELE TIM
 J3-5 SEC. RECV DATA
 W35

3TX-RDY (10CS)
 3RX-RDY (10CS)

8251A
 PCI
 XU7

8 | 7 | 6 | 5 | 4 | 3 | 2 | 1



SIZE	CODE IDENT NO	DRAWING NO	
D		E76004735-001	E
SCALE	SHEET 14		