

OPERATING AND SERVICE MANUAL

13210A

DISC DRIVE INTERFACE KIT

Manual part no. 13210-90003

Microfiche part no. 13210-90008

Printed: MAY 1978

Printed in U.S.A.

Printed-Circuit Assemblies

13210-60000, Series 1211, 1249, 1438, 1446

13210-60009, Series 1740

Note

This manual is directly applicable to interface kits with printed-circuit assemblies (PCA's) and series numbers shown above. To make the manual applicable to PCA 13210-60004, all series, and PCA 13210-60000, series 1135 and 1138, incorporate the appropriate changes listed in appendix A at the back of this manual.

NOTICE

The information contained in this document is subject to change without notice.

HEWLETT-PACKARD MAKES NO WARRANTY OF ANY KIND WITH REGARD TO THIS MATERIAL, INCLUDING, BUT NOT LIMITED TO, THE IMPLIED WARRANTIES OF MERCHANTABILITY AND FITNESS FOR A PARTICULAR PURPOSE. Hewlett-Packard shall not be liable for errors contained herein or for incidental or consequential damages in connection with the furnishing, performance or use of this material.

This document contains proprietary information which is protected by copyright. All rights are reserved. No part of this document may be photocopied or reproduced without the prior written consent of Hewlett-Packard Company.

CONTENTS

Section	Page	Section	Page
I			
GENERAL INFORMATION		3-56. Data Protect	3-5
1-1. Introduction	1-1	3-58. Drive Unsafe	3-5
1-3. General Description	1-1	3-60. Overrun	3-5
1-5. Interface Kit Contents	1-1	3-62. First Status	3-5
1-7. Identification	1-1	3-64. Programming Considerations	3-6
1-12. Specifications	1-1	3-65. Write Checking	3-6
		3-67. Disc Initialization	3-6
II		3-70. Error Recovery Procedures	3-6
INSTALLATION		3-77. Typical Program	3-6
2-1. Introduction	2-1		
2-3. Unpacking and Initial Inspection	2-1	IV	
2-6. Installation	2-1	THEORY OF OPERATION	
		4-1. Introduction	4-1
III		4-3. Functional Description	4-1
PROGRAMMING		4-4. Power On	4-1
3-1. Introduction	3-1	4-7. Command Execution	4-1
3-3. Disc Drive Characteristics	3-1	4-11. Data Transfer Execution	4-1
3-6. Command Descriptions	3-1	4-17. Detailed Circuit Description	4-2
3-11. Status Check	3-2	4-18. Command Execution	4-2
3-13. Write Data	3-2	4-21. Data Transfer Operations	4-2
3-17. Read Data	3-2	4-25. Write Operations	4-3
3-20. Seek Record	3-2	4-29. Read Operations	4-3
3-24. Refine Sector	3-3		
3-27. Check Data	3-3	V	
3-31. Initialize Data	3-4	MAINTENANCE	
3-35. Address Record	3-4	5-1. Introduction	5-1
3-36. Status Descriptions	3-4	5-3. Preventive Maintenance	5-1
3-40. Any Error	3-4	5-5. Calibration	5-1
3-42. Data Error	3-4	5-8. Troubleshooting	5-1
3-44. Drive Busy	3-5		
3-46. Flagged Cylinder	3-5	VI	
3-48. Address Error	3-5	REPLACEABLE PARTS	
3-50. End of Cylinder	3-5	6-1. Introduction	6-1
3-52. Not Ready	3-5	6-4. Ordering Information	6-1
3-54. Seek Check	3-5		
		APPENDIX A — BACKDATING INFORMATION	

ILLUSTRATIONS

Figure	Title	Page	Figure	Title	Page
1-1.	HP 13210A Disc Drive Interface Kit	1-0	4-6.	Write, Read, Check Data, and Initialize Data Operations Flow Diagram	4-11
3-1.	Command Word Format	3-1	4-7.	Status Operation Flow Diagram	4-13
3-2.	Address Word Formats for Seek Record Command	3-3	4-8.	Read Data Separation Timing Diagram	4-15
3-3.	Sector Count Word Format for Check Data Command	3-3	5-1.	Disc Interface 1 PCA (13210-60009) Parts Location Diagram	5-3
4-1.	Sector Write Format	4-2	5-2.	Disc Interface 1 PCA (13210-60009) Schematic Diagram	5-5
4-2.	Data Bit Cell	4-3	5-3.	Disc Interface 2 PCA Parts Location Diagram	5-8
4-3.	Disc Interface 1 PCA Block Diagram	4-5	5-4.	Disc Interface 2 PCA Schematic Diagram	5-9
4-4.	Disc Interface 2 PCA Block Diagram	4-7			
4-5.	Seek Record and Address Record Operations Flow Diagram	4-9			

TABLES

Table	Title	Page	Table	Title	Page
1-1.	HP 13210A Disc Drive Interface Kit Specifications	1-1	5-3.	Disc Interface 2 PCA (13210-60000) Replaceable Parts	5-7
3-1.	Computer to Interface Commands	3-1	5-4.	Interconnecting Cable Plug-to-Plug Connections	5-11
3-2.	Status Word Bits	3-4	6-1.	HP 13210A Disc Drive Interface Kit Replaceable Parts	6-1
3-3.	Typical Assembly Language Program	3-7	6-2.	Reference Designations and Abbreviations	6-2
5-1.	Mnemonic Definitions	5-1	6-3.	Code List of Manufacturers	6-3
5-2.	Disc Interface 1 PCA (13210-60009) Replaceable Parts	5-2			



13210-1

Figure 1-1. HP 13210A Disc Drive Interface Kit

SECTION I

GENERAL INFORMATION

1-1. INTRODUCTION.

1-2. This manual provides general information, installation, programming, theory of operation, maintenance, and replaceable parts information for the HP 13210A Disc Drive Interface Kit. (See figure 1-1.)

1-3. GENERAL DESCRIPTION.

1-4. The kit includes the control circuits and cable for connecting the HP 7900 Series Disc Drives to the HP 2100 Series Computers with Direct Memory Access (DMA)* capability. The control circuits are on two plug-in printed-circuit assemblies (PCA's) which install in the I/O portion of the computer card cage. The cable connects the PCA's to the disc drive.

Note

The plug-in PCA's should only be installed in HP computers with DMA* capability. The PCA's should not be installed in the HP 2150A or 2150B Input/Output and Memory Extender, or in the HP 2151A Input/Output Extender. The extenders do not have the DMA capability necessary to operate the disc drive.

1-5. INTERFACE KIT CONTENTS.

1-6. The interface kit contains the following:

- a. Disc Interface 1 printed-circuit assembly (part no. 13210-60009). (See appendix A for part no. 13210-60004).
- b. Disc Interface 2 printed-circuit assembly (part no. 13210-60000).
- c. Interconnecting Cable, 20 feet long (part no. 13210-60003).
- d. Operating and Service Manual (part no. 13210-90003).

1-7. IDENTIFICATION.

1-8. Hewlett-Packard uses five digits and a letter (00000A) to identify standard interface kits. If the designation of the kit received does not agree with the designation

on the title page of this manual, there are differences between the kit received and the kit described in this manual. These differences are explained in manual supplements available at HP Sales and Service Offices. (Addresses of these offices are listed at the back of this manual.)

1-9. Printed-circuit assembly revisions are identified by a letter, a series code, and a division code marked beneath the part number on the PCA. The letter identifies the revision of the etched trace pattern on the unloaded PCA. The four-digit series code pertains to the electrical characteristics of the loaded PCA and the positions of the components. The two-digit division code identifies the division of Hewlett-Packard that manufactured the PCA. If the series code numbers do not correspond exactly with the code numbers on the title page of this manual, the PCA's differ from those described in this manual. These differences are covered in manual supplements available at the nearest HP Sales and Service Office.

1-10. The interface cable is identified by a part number, marked on one of the plugs attached to the cable.

1-11. The manual and manual supplements are identified by title, part number, and publication date, marked on the title page of the document.

1-12. SPECIFICATIONS.

1-13. Specifications for the interface kit components are listed in table 1-1.

Table 1-1. HP 13210A Disc Drive Interface Kit Specifications

Data Rate to/from HP 7900 Series Disc Drive:	2,500,000 bits/second*
Data Rate to/from HP Computers:	156,250 words/second*
Computer Power Supply Requirements:	+5V: 4A -2V: 140 mA +12V: 60 mA -12V: 100 mA
*The high data rate requires that the computer have at least one DMA channel.	

*Dual Channel Port Controller (DCPC) in HP 21MX Series Computers.

SECTION II

INSTALLATION

2-1. INTRODUCTION.

2-2. This section provides information for unpacking, initial inspection, and installation for the HP 13210A Disc Drive Interface Kit. The computer, disc drive, and disc drive power supply should be installed and prepared for operation before installing the interface kit.

2-3. UNPACKING AND INITIAL INSPECTION.

2-4. If the disc drive interface kit is received separately from the computer, inspect the carton containing the kit before opening. If there is external evidence of damage, or if the box rattles, request that the carrier's agent be present when the carton is opened.

2-5. Inspect each component of the kit as the parts are unpacked. If the kit is damaged and fails to meet specifications, notify the carrier and the nearest HP Sales and Service Office immediately. Retain the shipping container and packing material for the carrier's inspection. The HP Sales and Service Office will arrange for repair or replacement of the damaged part without waiting for any claims against the carrier to be settled.

2-6. INSTALLATION.

2-7. Install the disc drive interface kit as follows:

- a. Set POWER switch on disc drive power supply to OFF.
- b. Set computer POWER switch to OFF.
- c. Open the computer for access to I/O card slots and install the 13210-60009 Disc Interface 1 PCA into the card slot corresponding to the desired I/O select code.
- d. Install the 13210-60000 Disc Interface 2 PCA into the next lower priority slot.
- e. Connect the double-connector end of the interface cable to the PCA's so that the DISC INTERFACE 1 portion of the connector fits onto the disc interface 1 PCA and the DISC INTERFACE 2 portion fits onto the disc interface 2 PCA.
- f. Connect the single-connector end of the interface cable to the I/O connector at the back of the disc drive with the "cable-end" of the connector routed across the back of the disc drive.

SECTION III PROGRAMMING

3-1. INTRODUCTION.

3-2. This section contains programming considerations for systems employing the HP 13210A Disc Drive Interface Kit. Included are disc drive characteristics, command and status descriptions, programming recommendations, and a typical assembly language program.

3-3. DISC DRIVE CHARACTERISTICS.

3-4. The interface kit will interface an HP 2100 Series Computer to as many as four HP 7900 Series Disc Drives using discs with the following characteristics.

- a. Each disc stores 203 cylinders of information.
- b. Each cylinder contains 96 addressable sectors, 24 on the top surface of each disc and 24 on the bottom surface of each disc.
- c. Each sector contains a sector address field and a data field. The address field contains cylinder, head, and sector numbers of the sector, and indicators for defective and protected cylinder; the data field contains as many as 128 sixteen-bit data words.

3-5. The interface kit requires two adjacent computer I/O addresses: a data channel and a command channel address. The data channel is assigned the higher priority (lower number) I/O address.

3-6. COMMAND DESCRIPTIONS.

3-7. All commands are transferred through the computer A- or B-register by an OTA/B instruction addressed to the command channel. Commands are then stored by the interface. An STC,C instruction will set the command channel Control FF and the Encode FF which will cause the interface to execute the command. When multiple OTA/B instructions are received before the STC,C instruction, the interface will execute the last OTA/B instruction issued. When the command issued is Status Check, Seek Record, or Address Record, the interface will accept another command

as soon as the required data transfer through the data channel has been completed. For all other commands, new commands must not be issued until the command channel Flag FF is set to indicate completion of the current operation.

Note

Because the interface will only respond to a positive-going Encode signal, during multiple Seek Record operations the command channel Control FF must be cleared (CLC) before a subsequent STC,C instruction will be recognized.

3-8. The command word consists of a four-bit command code and a two-bit drive select. (An additional two bits are used with the Initialize Data command.) The command word format is shown in figure 3-1. The four-bit command code contains the binary code of the command to be executed. Table 3-1 lists the commands to which the interface will respond. Commands other than those listed will cause improper operation. The two-bit drive select contains the binary code of the disc drive that is to execute the command.

Table 3-1. Computer to Interface Commands

COMMAND	BITS			
	15	14	13	12
Status Check	0	0	0	0
Write Data	0	0	0	1
Read Data	0	0	1	0
Seek Record	0	0	1	1
Refine Sector	0	1	0	1
Check Data	0	1	1	0
Initialize Data	1	0	0	1
Address Record	1	0	1	1

15	12	11	10	9	8	7	2	1	0
COMMAND CODE		NOT USED	USED WITH INITIALIZE DATA COMMAND ONLY		NOT USED			DRIVE SELECT	

Figure 3-1. Command Word Format

3-9. Commands, addresses, and status are transferred to and from the interface by an OTA/B or LIA/B instruction addressed to the data channel. Data records are transferred to and from the interface under DMA control. The data channel Encode FF must be set for data transfer to take place between the interface and disc drive. The data channel Flag FF will be set by the interface to indicate that data transfer may take place.

3-10. Drive attention status bits are transferred to the computer by an LIA/B or MIA/B instruction addressed to the command channel. Only the four lowest order bits of the data word are used. Each bit position represents a disc drive address; bit position 0 corresponds to disc drive 0, etc. Valid attention status bits are set between the setting of the command channel Flag FF and the next STC instruction to indicate that the disc drive has become ready or is completing a Seek operation.

3-11. STATUS CHECK.

3-12. The Status Check command causes the interface to assemble the status word of the desired disc drive and transfer the word to the computer through the data channel. Command execution is completed when the computer accepts the status word from the data channel; the command channel Flag FF is not set for this operation. A Status Check operation should be performed to verify proper execution of preceding operations. Status word bit definitions are given in paragraph 3-38. Status is changed only with a non-status operation.

3-13. WRITE DATA.

3-14. The Write Data command causes the interface to write data on a disc. The desired head and sector addresses must be present in the interface record address register (RAR) and the heads must be positioned over the correct cylinder before the Write Data command is issued. When the addressed sector comes into position under the head, the interface will examine the cylinder condition indicators and address information in the address field and cyclic check the entire sector. If the cylinder is not protected or defective and the address compares with the address in the RAR, the interface will increment the sector address in the RAR and initiate writing in the next sector.

3-15. The interface will write the address field and then write the data from the data channel. If the computer sends less than 128 data words, the interface will write zeros in the remainder of the sector before setting the command channel Flag FF. If the computer sends more than 128 data words, the interface will increment the sector address in the RAR and continue to write in the next sector. (Data transfer will be suspended while the interface writes the address field.) Writing will continue in this manner until the computer ends data transfer or until the interface detects an end-of-cylinder (EOC) signal or error condition, at which time the command channel Flag FF will be set. (When writing begins on the upper disc surface writing will continue in all sectors of the addressed cylinder on the bottom surface before EOC will be detected.)

3-16. If, during the examination of the address field, the defective cylinder indicator (DCI) is set, if the protected cylinder indicator (PCI) is set and the disc drive OVERRIDE switch is set to PROTECT, or if the disc drive DATA PROTECT switch for the addressed head is on, the command channel Flag FF will be set and no writing or data transfer will take place. A Status Check command should be issued to determine the cause of the termination.

3-17. READ DATA.

3-18. The Read Data command causes the interface to read the addressed record and transfer the data field to the computer. The record address must be present in the interface record address register (RAR) and the heads must be positioned over the correct cylinder before the Read Data command is issued. When the command is issued, the interface will increment the sector address in the RAR and, when the addressed sector comes into position, examine the address field for the defective cylinder indicator. The interface then compares the sector address to the address in the RAR before initiating data transfer to the computer. If the computer accepts less than 128 data words, the interface will cyclic check the remainder of the data field before setting the command channel Flag FF. If the computer will accept more than 128 data words, the interface will increment the sector address in the RAR and continue to read the next sector. (Data transfer will be suspended while the interface examines the address field.) Reading will continue until the computer stops accepting data or until the interface detects an end-of-cylinder (EOC) signal or error condition, at which time the command channel Flag FF will be set.

3-19. If, during the examination of the address field, the defective cylinder indicator (DCI) is set or the sector address does not compare with the address in the RAR, reading will continue to the end of the current sector before data transfer is halted and the command channel Flag FF is set. A Status Check operation should be performed to determine the exact cause for termination. A Status Check operation after normal termination will determine if the protected cylinder indicator was set or if the disc drive DATA PROTECT switch for the addressed head was on.

3-20. SEEK RECORD.

3-21. The Seek Record command causes the interface to execute a head-positioning operation in the addressed disc drive. When the command is issued, the interface will select the addressed disc drive and accept two 16-bit words of address information (addressed to the data channel) that are required for the head-positioning operation. When a cylinder address word has been transferred to the interface, the interface will set the data channel Flag FF to indicate acceptance of the address. The first word should contain the cylinder to which the heads should move. The second word should contain the head and sector addresses. Address word formats are shown in figure 3-2.

15	8	7	0
NOT USED		CYLINDER ADDRESS	

15	10	9	8	7	5	4	0
NOT USED			HEAD ADDRESS	NOT USED		SECTOR ADDRESS	

Figure 3-2. Address Word Formats for Seek Record Command

3-22. The two address words will be stored as a new record address in the interface RAR. The interface will then transfer the record address to the disc drive and initiate the head-positioning operation. Although the command channel Flag FF is not set until head positioning is complete, the interface will be free to perform other operations as soon as the second word of address information is accepted. As a result, simultaneous operations with parallel-connected disc drives are possible.

3-23. If the addressed disc drive has a head-positioning operation in progress when a new Seek Record command is issued, the heads will be positioned over the former addressed cylinder, but the latter addressed head and sector will be selected. Seek check status will be set. Seek check status will also be set if the cylinder address is greater than 202, or if the sector address is greater than 23.

3-24. REFINE SECTOR.

3-25. The Refine Sector command causes the interface to straddle-erase the addressed record as an attempt to improve the magnetic characteristics of the record. The command should only be used after retry procedures fail to recover the data. The record address must be present in the interface record address register (RAR) before the Refine Sector command is issued.

3-26. When the command is issued, the interface will increment the sector address in the RAR and straddle-erase the addressed sector; no writing or reading will take place. No examination of the address field for defective or protected cylinders or address comparison will take place. The command channel Flag FF will be set when the end of the addressed sector is reached.

3-27. CHECK DATA.

3-28. The Check Data command causes the interface to cyclic check data records of a specific number of sectors to verify recoverability of the data. The Check Data operation is similar to a Read Data operation except that no data transfer takes place. The beginning address of the cyclic check must be in the interface record address register (RAR), and the heads must be positioned over the correct cylinder before the Check Data command is issued.

3-29. When the command is issued, the interface will select the addressed disc drive and accept one 16-bit word of sector count information addressed to the data channel. The word format is shown in figure 3-3. The interface will increment the RAR and, when the addressed sector comes into position, examine the address field for the defective cylinder indicator, compare the sector address to the address in the RAR, and cyclic check the entire sector. The interface will then subtract one from the sector count and repeat the operation in the next sector until the sector count reaches zero or until the interface detects an end-of-cylinder signal or error condition, at which time the command channel Flag FF will be set.

3-30. If, during the examination of the address field, the defective cylinder indicator (DCI) is set or the sector address does not compare with the address in the RAR, the interface will halt the operation at the end of the current sector and set the command channel Flag FF. A Status Check operation should be performed to determine the exact cause for early termination. A Status Check operation after normal termination will determine if the protected cylinder indicator was set or if the disc drive DATA PROTECT switch for the addressed head was on.

15	6	5	0
NOT USED		SECTOR COUNT	

Figure 3-3. Sector Count Word Format for Check Data Command

3-31. INITIALIZE DATA.

3-32. The Initialize Data command causes the interface to initialize unwritten cylinders and to generate the defective- and protected-cylinder indicators. The command will be accepted only when the disc drive OVERRIDE switch is set to ACCESS and the DATA PROTECT switch for the selected head is off. If the OVERRIDE switch is set to PROTECT or the DATA PROTECT switch is on, the command channel Flag FF will be set and no attempt will be made to execute the command. The Initialize Data operation is similar to a Write Data operation except that the interface does not examine the first sector address field for cylinder condition indicators or address information. The desired head and sector addresses must be present in the RAR and the heads must be positioned over the correct cylinder before the Initialize Data command is issued.

3-33. When the command is issued the interface will select the addressed disc drive and increment the RAR. When the addressed sector comes into position, the interface will assemble and write the address field. The address information is that in the RAR; the cylinder condition indicator information is contained in bits 8 and 9 of the command word. If bit 8 is set, the defective cylinder indicator will be set and an incorrect address will be written in the address field; if bit 9 is set, the protected cylinder indicator will be set; if both bits 8 and 9 are set, only the defective cylinder indicator is set.

3-34. Data transfer from the computer will begin with the first data word. If the computer sends less than 128 sixteen-bit words, the interface will write zeros in the remainder of the data field. If the computer sends more than 128 data words, the interface will increment the sector address in the RAR and continue to write in the next sector. (Data transfer will be suspended while the interface writes the address field.) Writing will continue in this manner until the computer ends data transfer or until the interface detects an end-of-cylinder signal or error condition, at which time the command channel Flag FF will be set.

3-35. ADDRESS RECORD.

3-36. The Address Record command causes the interface to alter the contents of the record address register. The Address Record operation is similar to a Seek Record operation except that no operation is performed by the disc drive.

3-37. When the command is issued, the interface accepts two words of address information addressed to the data channel. The first word should contain the cylinder number to which the heads should move; the second word should contain the head and sector addresses. Address word formats are shown in figure 3-2. When the second address word has been accepted, the command channel Flag FF will be set.

3-38. STATUS DESCRIPTIONS.

3-39. Status information is transferred to the computer A- or B-register by either an LIA/B or MIA/B instruction addressed to the data channel. The status word may be

transferred any time the disc drive is selected. Individual status bits are listed in table 3-2.

3-40. ANY ERROR.

3-41. Any-error status (bit 0) is set when any of the other status bits are set, except flagged cylinder status (bit 3) or data protect status (bit 10). Any-error status is set when flagged cylinder status is set as a result of an attempt to write on a protected cylinder or initialize a cylinder with the disc drive OVERRIDE switch set to PROTECT. Any-error status is also set with flagged cylinder status when attempting to write, read, or check data on a defective cylinder (because the defective cylinder will set address error status). However, any-error status will not be set with flagged cylinder status when attempting to read or check data on a protected cylinder or attempting to write on a protected cylinder with the OVERRIDE switch set to ACCESS.

3-42. DATA ERROR.

3-43. Data error status (bit 1) is set if any of the following conditions exist:

a. During Read Data, Check Data, or Write Data if the interface fails to synchronize the data clock with the serial datum bits or if the interface detects an error when cyclic checking.

b. During Write Data, Read Data, Refine Sector, Check Data or Initialize Data if the disc drive becomes not-ready during data handling.

Data error status is cleared with execution of the Status Check command.

Table 3-2. Status Word Bits

BIT	STATUS
0	Any Error
1	Data Error
2	Drive Busy
3	Flagged Cylinder
4	Address Error
5	End of Cylinder
6	Not Ready
7	Not Used
8	Seek Check
9	Not Used
10	Data Protect
11	Drive Unsafe
12	Not Used
13	Overrun
14	First Status
15	Not Used

3-44. DRIVE BUSY.

3-45. Drive busy status (bit 2) is set when the disc drive is executing a Seek Record command (from the time the last address word is accepted until head-positioning is complete).

3-46. FLAGGED CYLINDER.

3-47. Flagged cylinder status (bit 3) is set if any of the following conditions exist:

a. During Initialize Data if the OVERRIDE switch on the disc drive is set to PROTECT.

b. During Initialize Data or Write Data if the disc drive DATA PROTECT switch for the addressed head is on.

c. During Read Data, Check Data, or Write Data if the interface detects a protected or defective cylinder indicator. If a defective cylinder is detected, address error status is also set. (Flagged cylinder status will not be set if an actual address error is detected in the same sector.)

Flagged cylinder status is cleared with the execution of the Status Check command.

3-48. ADDRESS ERROR.

3-49. Address error status (bit 4) is set during Read Data, Check Data, or the first-sector checking phase of Write Data if the sector address read does not compare with the address in the RAR or if the defective cylinder indicator is set (set with flagged cylinder status bit). Address error status is cleared with the execution of the Status Check command.

3-50. END OF CYLINDER.

3-51. End-of-cylinder status (bit 5) is set if any of the following conditions exist:

a. During the data transfer portion of Write Data, Read Data, or Initialize Data if the interface has reached the end of the data field for sector 23, head 1 or 3, and the computer signals for continuation of data transfer into the next sector.

b. During the cyclic check portion of Check Data if the interface has reached the end of the data field for sector 23, head address 1 or 3, anytime the cyclic check sector count is not zero.

End-of-cylinder status is cleared with execution of the Status Check command.

3-52. NOT READY.

3-53. Not ready status (bit 6) is set if the selected disc drive is not attached to the interface, if the disc is not up to

speed or the heads are not loaded, or if the disc drive is in an unsafe condition, in which case drive unsafe status (bit 11) will also be set. Operator intervention may be required to bring the disc drive to the ready state.

3-54. SEEK CHECK.

3-55. Seek check status (bit 8) is set if a Seek Record command has been issued and one of the following conditions exist:

a. The cylinder addressed is greater than 202.

b. The sector addressed is greater than 23.

c. A head-positioning operation is still in progress.

Seek check status is cleared by the next proper Seek Record command issued to the selected disc drive.

3-56. DATA PROTECT.

3-57. Data protect status (bit 10) is set if the disc drive DATA PROTECT switch for the addressed head is on. Write Data and Initialize Data commands will not be accepted. (Any-error and flagged cylinder status will also be set if either of these commands is issued.)

3-58. DRIVE UNSAFE.

3-59. Drive unsafe status (bit 11) is set if the disc drive checking circuits detect an unsafe condition in the disc drive access system or read/write electronics. Not ready status will also be set.

3-60. OVERRUN.

3-61. Overrun status (bit 13) is set if either of the following conditions exist:

a. During the data transfer portion of Write Data, Read Data, or Initialize Data if the computer attempts to transfer data after the maximum response time but before the interface sets the command channel Flag FF to signal operation completion. The computer DMA must respond to a data channel Flag FF signal within 5.9 microseconds.

b. During Write Data, Read Data, Check Data, or Initialize Data if a sector pulse is detected before the end of the data field of the current sector is detected.

Overrun status is cleared with the execution of a Status Check command.

3-62. FIRST STATUS.

3-63. First status (bit 14) is set when the selected disc drive goes from not-ready to ready status. First status is cleared with the execution of a Status Check command.

3-64. PROGRAMMING CONSIDERATIONS.**3-65. WRITE CHECKING.**

3-66. When records are written, a program check should be performed to ensure that the record in memory was written on the disc without error and that the data can be recovered from the disc without error. When data integrity is crucial, each record should be read after being written and compared, a word at a time, with the original record in memory. This technique provides a check of both the parallel transfer between computer and interface, and serial data transfer between interface and disc drive. When data integrity is less crucial, issuance of a Check Data command will check just the serial data transfer between interface and disc drive.

3-67. DISC INITIALIZATION.

3-68. Prior to use in system, new, unwritten discs should be processed with a disc initialization program. The program should write the address field for all sectors, and should execute additional data testing to help isolate defects that may have developed after manufacture.

3-69. The additional data testing should include the following routine executed six times on each cylinder:

a. Write a fixed data pattern in all data fields of the cylinder. On each of the six passes a different data pattern should be used. The six recommended patterns are listed below in octal notation:

(1)	0	0	0	0	0	0
(2)	1	7	7	7	7	7
(3)	1	2	5	2	5	2
(4)	0	5	2	5	2	5
(5)	1	6	2	7	4	5
(6)	1	7	0	3	6	0

b. Execute a Check Data command 10 times on all data fields of the cylinder. If a data error occurs more than once in executing the routine on a cylinder, the cylinder should be flagged defective.

3-70. ERROR RECOVERY PROCEDURES.

3-71. Errors which occur in the storage system are often correctable by using retry procedures. Programs should include retry procedures to reduce the number of errors that will affect system operation. Paragraphs 3-72 through 3-76 list specific correctable error conditions and recommended retry procedures.

3-72. **DATA ERROR DURING READ DATA.** When a data error occurs during a Read Data operation, issue the following retry procedure.

- a. Read the record 16 times.
- b. If the error persists, issue a Seek Record command to cylinder zero, then to cylinder 202, and return to the failing cylinder.
- c. Read the record 16 times.
- d. If the error persists, issue a Refine Data command and read the record 16 times.
- e. If the error persists, terminate the retry procedure.

3-73. **DATA ERROR DURING WRITE DATA OR INITIALIZE DATA.** When a data error occurs during a Write Data or Initialize Data operation, re-issue the command once and if the error persists, terminate the retry procedure.

3-74. **ERRORS DURING WRITE CHECKING ROUTINES.** When a data error occurs during the Read Data or Check Data portion of a write-checking routine (refer to paragraph 3-65), the complete write and write-checking routine should be tried 16 times. If the error persists, terminate the retry procedure. If an error is detected during the memory/record comparison, the write and write-checking routine should be retried once.

3-75. **ADDRESS ERRORS.** When an address error occurs, the interface will automatically return the heads to cylinder zero. Re-issue the Seek Record command to the failing cylinder and if the error persists, terminate the retry procedure.

3-76. **OVERRUNS.** If an overrun occurs, retry the operation once and if the error persists, terminate the retry procedure.

3-77. TYPICAL PROGRAM.

3-78. Table 3-3 is a typical assembly language program that will transfer data to and from the disc drive under DMA control and check status.

Table 3-3. Typical Assembly Language Program

READ PROGRAM (NON INTERRUPT)			
CW1A	OCT	1 2 0 0 U U	DMA PROGRAM CONTROL WORD, UU IS DATA CHANNEL SELECT CODE
CW2B	OCT	1 A A A A A	DMA STARTING ADDRESS; DATA INTO MEMORY (MAX. ADDR. = 77777B)
CW3A	OCT	-0 B B B B B	DMA WORD COUNT (MAX. COUNT - 06144B, 2's COMPLEMENT i.e., 171634B)
RDCMD	OCT	0 2 0 0 0 0	READ COMMAND WORD
DN	NOP		DRIVE NUMBER (0 THROUGH 3)
	JSB	SEEK	MOVE HEAD TO DESIRED CYLINDER
	CLC	DC	INSURE CONTROL SIGNALS ARE RESET ON
	CLC	CC	DATA AND COMMAND CHANNELS
	LDA	CW1A	GET FIRST DMA CONTROL WORD
	OTA	6	OUTPUT TO DMA CHANNEL
	CLC	2	PREPARE DMA FOR DMA CONTROL WORD 2
	LDA	CW2B	GET DMA CONTROL WORD 2
	OTA	2	OUTPUT TO DMA CHANNEL
	STC	2	PREPARE DMA FOR DMA CONTROL WORD 3
	LDA	CW3A	GET DMA CONTROL WORD 3
	OTA	2	OUTPUT TO DMA CHANNEL
	LDA	RDCMD	GET INTERFACE READ COMMAND WORD
	IOR	DN	
	OTA	CC	OUTPUT TO COMMAND CHANNEL
	STC	DC,C	PREPARE DATA CHANNEL FOR READ OPERATION
	STC	6,C	ACTIVATE DMA
	STC	CC,C	INITIATE READ OPERATION
	SFS	CC	IS READ OPERATION COMPLETE
	JMP	*-1	NO. WAIT.
	JSB	STATS	YES. GO CHECK STATUS
WRITE PROGRAM (NON INTERRUPT)			
CW1A	OCT	1 2 0 0 U U	DMA PROGRAM CONTROL WORD, UU IS DATA CHANNEL SELECT CODE
CW2A	OCT	0 A A A A A	DMA STARTING ADDRESS; DATA OUT OF MEMORY (MAX. ADDR. = 77777B)
CW3A	OCT	-0 B B B B B	DMA WORD COUNT (MAX. COUNT = 06144B, 2's COMPLEMENT i.e., 171634B)
WRCMD	OCT	0 1 0 0 0 0	WRITE COMMAND WORD
DC	EQU	UU	UU IS DATA CHANNEL SELECT CODE
CC	EQU	VV	VV IS COMMAND CHANNEL SELECT CODE
DN	NOP		DRIVE NUMBER (0 THROUGH 3)
	JSB	SEEK	MOVE HEAD TO DESIRED CYLINDER
	CLC	DC	INSURE CONTROL SIGNALS ARE RESET
	CLC	CC	ON DATA AND COMMAND CHANNELS.
	LDA	CW1A	GET FIRST DMA CONTROL WORD
	OTA	6	OUTPUT TO DMA CHANNEL
	CLC	2	PREPARE DMA FOR DMA CONTROL WORD 2
	LDA	CW2A	GET SECOND DMA CONTROL WORD
	OTA	2	OUTPUT TO DMA CHANNEL
	STC	2	PREPARE DMA FOR DMA CONTROL WORD 3
	LDA	CW3A	GET THIRD DMA CONTROL WORD
	OTA	2	OUTPUT TO DMA CHANNEL
	STC	DC	
	STF	DC	ENABLE DMA TO DATA CHANNEL DATA TRANSFER
	STC	6,C	ACTIVATE DMA
	LDA	WRCMD	GET INTERFACE WRITE COMMAND WORD
	IOR	DN	

Table 3-3. Typical Assembly Language Program (Continued)

WRITE PROGRAM (NON INTERRUPT) (Continued)			
	OTA	CC	OUTPUT COMMAND WORD TO COMMAND CHANNEL
	STC	CC,C	INITIATE WRITE COMMAND
	SFS	CC	IS WRITE OPERATION COMPLETE?
	JMP	*-1	NO. WAIT
	JSB	STATS	YES. GO CHECK STATUS.
SEEK SUBROUTINE (NON INTERRUPT)			
DC	EQU	UU	UU IS DATA CHANNEL SELECT CODE
CC	EQU	VV	VV IS COMMAND CHANNEL SELECT CODE
CYLNO	OCT	0 0 W W W	WWW IS CYLINDER NUMBER
HDSEC	OCT	0 0 X X X X	XXXX IS FORMATTED HEAD AND SECTOR NUMBER
SKCMD	OCT	0 3 0 0 0 0	SEEK COMMAND WORD
DN	NOP		DRIVE NUMBER (0 – 3)
SEEK	NOP		SUBROUTINE ENTRY POINT
	CLC	DC	INSURE CONTROL SIGNALS ARE RESET
	CLC	CC	ON DATA AND COMMAND CHANNELS
	LDA	CYLNO	GET DESIRED CYLINDER ADDRESS
	OTA	DC	
	STC	DC,C	OUTPUT CYLINDER ADDRESS TO DATA CHANNEL
	LDA	SKCMD	GET SEEK COMMAND WORD
	IOR	DN	
	OTA	CC	OUTPUT SEEK COMMAND TO COMMAND CHANNEL
	STC	CC,C	INITIATE SEEK COMMAND
	SFS	DC	FIRST ADDRESS WORD ACCEPTED?
	JMP	*-1	NO. WAIT.
	LDA	HDSEC	YES. GET HEAD/SECTOR ADDRESS WORD.
	OTA	DC	
	STC	DC,C	OUTPUT HEAD/SECTOR ADDRESS TO DATA CHANNEL
	SFS	CC	SEEK OPERATION COMPLETE?
	JMP	*-1	NO. WAIT
	JSB	STATS	YES. GO CHECK STATUS
	JMP	SEEK, I	RETURN TO CALLING PROGRAM
STATUS CHECK SUBROUTINE			
DC	EQU	UU	UU IS DATA CHANNEL SELECT CODE
CC	EQU	VV	VV IS COMMAND CHANNEL SELECT CODE
STCMD	OCT	0 0 0 0 0 0	STATUS CHECK COMMAND WORD
DN	NOP		DRIVE NUMBER (0 THROUGH 3)
STATS	NOP		ENTRY POINT
	CLC	DC	INSURE CONTROL SIGNALS ARE
	CLC	CC	RESET ON COMMAND AND DATA CHANNELS
	LDA	STCMD	GET STATUS CHECK COMMAND WORD
	IOR	DN	
	OTA	CC	OUTPUT TO COMMAND CHANNEL
	STC	CC,C	INITIATE STATUS CHECK COMMAND
	SFS	DC	IS STATUS WORD READY?
	JMP	*-1	NO. WAIT
	LIA	DC	LOAD STATUS WORD
	SLA		IS ANY ERROR BIT SET?
	JMP	ERROR	YES. GO TO ERROR ROUTINE.
	JMP	STATS, I	NO. RETURN TO CALLING PROGRAM

SECTION IV

THEORY OF OPERATION

4-1. INTRODUCTION.

4-2. This section contains theory of operation and operational flow diagrams for the 13210A Disc Drive Interface Kit. Block diagrams for the two interface PCA's are shown in figures 4-3 and 4-4. Operation is shown in figures 4-5 through 4-7.

4-3. FUNCTIONAL DESCRIPTION.

4-4. POWER ON.

4-5. When power is initially applied to the computer, the POPIO and CRS signals are received simultaneously from the computer's I/O control PCA. The signals establish initial operating conditions for the interface PCA's. The POPIO signal sets both the command channel and data channel Flag FF's. The CRS signal clears the command channel Control FF and the data channel Encode FF, clears the Attention register, and transfers cylinder address 000 to the disc drive.

4-6. Once the computer sends the PON signal to the disc interface 1 PCA, the disc interface 1 PCA issues a Control signal to the disc drive. The Control signal indicates to the disc drive that the computer dc power supplies have stabilized.

4-7. COMMAND EXECUTION.

4-8. For the disc drive(s) to perform any operation commanded by the computer the interface must execute numerous internal operations. These internal operations, and the associated decision-making, are synchronously performed by a state decoder that is activated by a read-only memory (ROM) and a state register. Synchronous operation is provided by a 2.5-MHz Control Clock signal that is generated by a 10-MHz crystal oscillator and divider. See figure 4-3.

4-9. Each four-bit command word is applied to the ROM as part of an eight-bit address. Each addressed ROM memory location contains a unique four-bit word that is synchronously loaded into the state register. The state register output is decoded by the state decoder, whose outputs serve as internal "instructions" for the interface. By monitoring the ROM output, disc drive status, and other interface signals, a qualifier encoder alters the ROM address, and the state decoder issues sequential instructions for the interface at the appropriate times.

4-10. In this manner, the interface controls the execution of computer commands that require multiple steps.

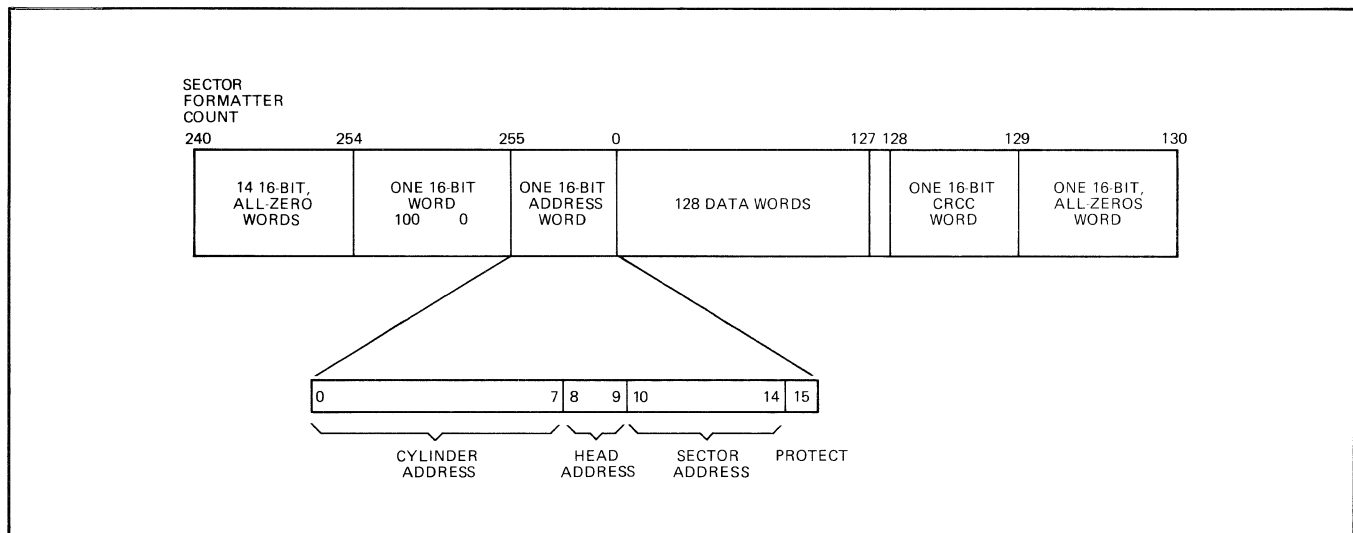
For example, when a Seek Record command is received, the interface will control the transfer timing of the two-word record address between the computer and disc drive. The interface will then wait, if necessary, for the disc drive to move the heads over the addressed record, and will only signal the computer for additional commands when the disc drive has completed execution of the command. Commands requiring less complex internal operations (e.g. Read) are decoded directly by a command decoder and re-issued as a single-line command to the disc drive at the appropriate time. Although re-issuance of such a command is more direct, the ROM-state decoder circuitry described above is still required for the execution of these commands. When a Read command is received, for example, the ROM-state decoder circuits will control the actual reading of data from the disc drive and execute the transfer of read data to the computer.

4-11. DATA TRANSFER EXECUTION.

4-12. The execution of commands requiring data transfer also requires the interface to perform numerous internal operations. When data supplied by the computer is to be written by the disc drive, the interface control of the write operation includes: transferring record addresses, drive addresses, etc.; checking for correct address response by the disc drive; ensuring proper sector format (which includes an address field and a data field); adding clock information to the data being written; performing parallel-to-serial conversion of data words; generating check characters; and continuously monitoring the write operation until completed. When data is to be transferred to the computer, the interface control of the read operation includes: transferring record addresses, drive addresses, etc.; checking for correct address response by the disc drive; separating clock information from the data; performing serial-to-parallel conversion of data words; checking for data errors; and continuously monitoring the read operation until completed. See figure 4-4.

4-13. WRITE OPERATIONS. The format in which address fields and data fields are written on the disc is controlled by a sector formatter; clock information is added to the data by a write formatter. A detected sector pulse activates the formatter. By counting bits and 16-bit words and enabling data to be written at prescribed times, each sector is written in the format shown in figure 4-1. (The 2.5-MHz clock signal is generated by the 10-MHz crystal oscillator and divider mentioned above.)

4-14. Data words and address words are transferred from the computer through an output buffer register. Bits of the buffer register output that contain the address information



7012-8

Figure 4-1. Sector Write Format

in an address word (all 16 bits are not used) are parallel-connected to a record address register (RAR). The outputs of both the buffer register and the RAR are applied to a multiplexer that transfers only one of the outputs at a time to a parallel-to-serial/serial-to-parallel converter. The sector formatter, described above, determines when the address field is to be written and strobes the RAR contents to the converter. When the sector formatter determines that the data field is to be written, the contents of the output buffer register are strobed to the converter. The serial output of the converter is routed through the sector formatter and write formatter described above.

4-15. Serial data from the output of the sector formatter is parallel-fed to a cyclic redundancy check character (CRCC) generator. The bit pattern of the 16-bit CRCC word is a function of the data field bit pattern and the Boolean equation of the CRCC generator. The CRCC word, when read at the end of a subsequent read operation, aids in determining if any read data errors occurred.

4-16. READ OPERATIONS. Serial data read from the disc drive is applied to a phase-lock loop in the read data decoder. Because variations in the rotational speed of disc drives causes the frequency of the clock information contained in the read data to vary, the phase-lock loop includes a voltage-controlled oscillator that provides the frequency flexibility required to compensate for these variations. The phase-lock loop produces a nominal output of 2.5 MHz, the precise frequency of the data when written. The combination of the phase-lock loop output and the read data input is used to separate the data from the clock information. Separated data is routed to the serial-to-parallel converter and to the CRCC generator. At the appropriate time (every 16th bit), the sector formatter loads the contents of the converter into the read buffer register. The read buffer register contents are strobed into the input buffer register for subsequent transfer to the computer. The CRCC generator monitors the read data, compares it with

the CRCC word that is read at the end of each data field and sets the appropriate bit in the interface status register when a data error is detected.

4-17. DETAILED CIRCUIT DESCRIPTION.

4-18. COMMAND EXECUTION.

4-19. The four most significant bits of the words are loaded into the command output register U77 by an OTA/B instruction addressed to the command channel. The register contents are decoded by command decoder U83 and are routed to the read-only memory (ROM) U93 as part of an eight-bit address. The command decoder converts the four bits of command from the computer to single-line commands for transfer to the disc drive. The four-bit ROM outputs are translated by the state decoder U21, which issues additional "internal" instructions that are required to execute the computer command.

4-20. The qualifier encoder U103 provides one bit of the eight-bit ROM address. The level of the qualifier bit is determined by comparison of the current ROM state (in the state register) with various status signals from other interface circuits and the disc drive. As a result, the sequence of state decoder outputs is determined by the command issued and the current status of the interface and disc drive.

4-21. DATA TRANSFER OPERATIONS.

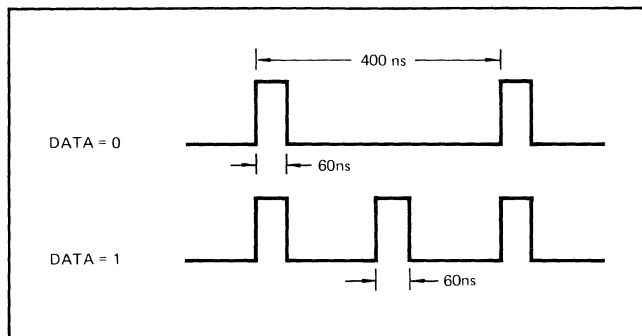
4-22. Record addresses and data from the computer are transferred through the output buffer register (U57 and U87). The register contents are parallel-connected to the record address register (RAR) (U56, U66, and U67) and the multiplexer (U47, U46, U97, and U96). The multiplexer strobes the contents of the RAR or the output buffer register into the parallel-to-serial/serial-to-parallel converter (U25 and U105) at the appropriate time.

4-23. During write operations, the contents of the RAR are loaded when the address field of the sector is being written; the contents of the output buffer register are loaded when the data field is being written. Control of the format in which the sectors are written is maintained by the sector formatter described in paragraphs 4-26 through 4-28.

4-24. During read operations, serial data is stacked by the converter and, at the appropriate time, 16-bit words are loaded into the read buffer register (U26 and U106). The contents of the read buffer register are also present in the input buffer register (U27, U28, U107, and U108). Data is transferred from the input buffer register to the computer by an LIA/B or MIA/B instruction addressed to the data channel.

4-25. WRITE OPERATIONS.

4-26. Write data is presented serially to the disc drive by the write formatter (U41A and U41B). The write formatter combines the 2.5-MHz clock signal and the data to be written in the format shown in figure 4-2. (During refine sector operations, line driver U81 is inhibited so that no data is actually written; in all other respects the operation is identical to writing.) The format in which sector address fields and data fields are written is controlled by the sector formatter which controls the application of data to the write formatter. The sector formatter establishes the format by passing data to the write formatter only at precise points in bit- and word-count that is initiated at the beginning of each sector.



7012-12

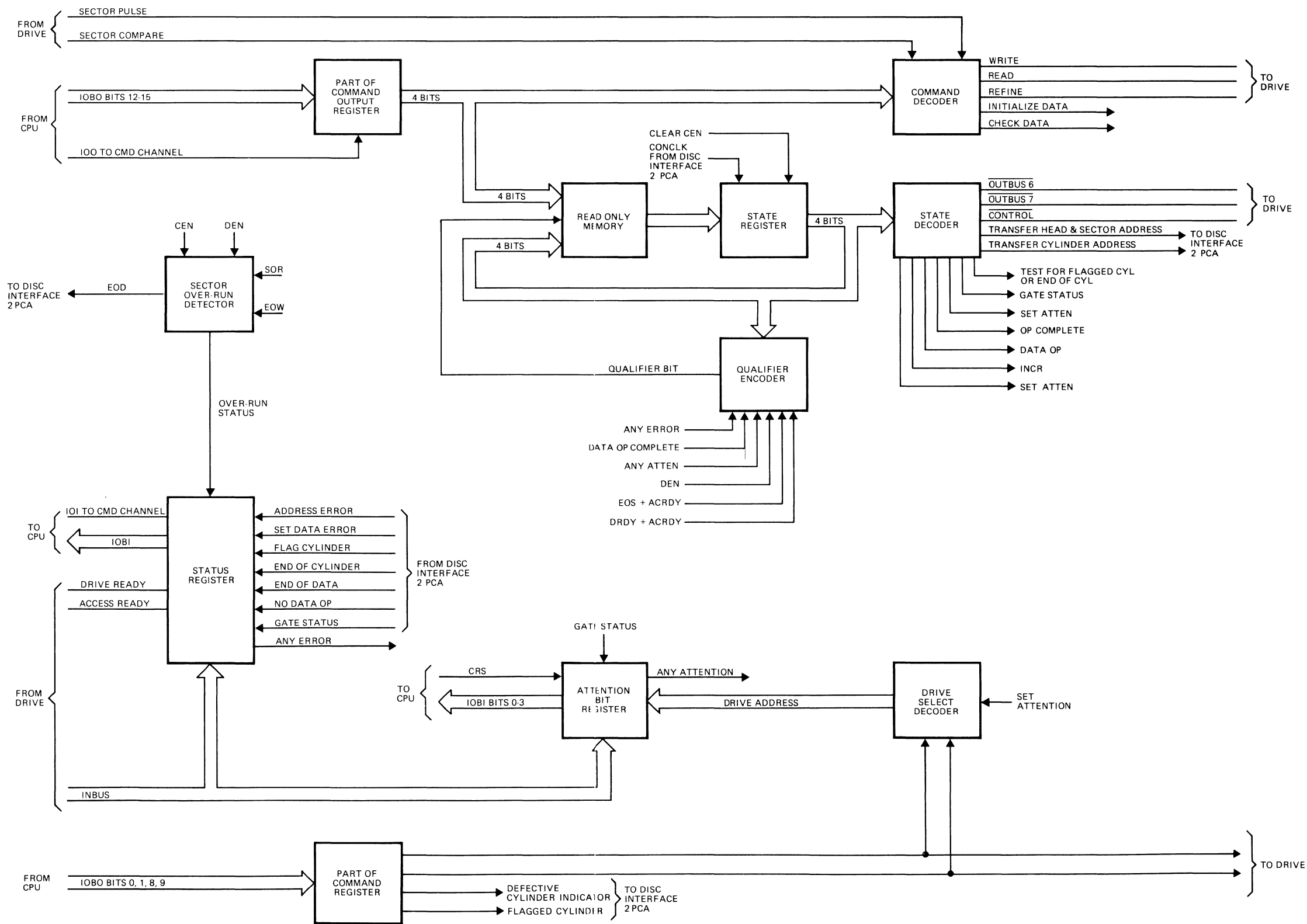
Figure 4-2. Data Bit Cell

4-27. When the addressed sector comes into position under the disc drive heads, the bit and word counter in the sector formatter is enabled by “and” gate U33D(C6). Subsequent Data Clock pulses from “and” gate U82B(B4) clock the bit counter (U43). Every 16 bits the bit counter clocks the word counter (U63 and U113). At appropriate word counts, the sector formatter enables “and” gate U52B which passes data to the write formatter.

4-28. READ OPERATIONS.

4-29. Serial data from the disc drive is routed to the Sync Phase FF U11A in the phase-lock loop and to the One’s Catcher FF U112B. The serial data toggles the Sync Phase FF to provide one input to the voltage-controlled oscillator (VCO)(U101). The VCO output signal toggles the VCO Phase FF (U111B) to provide a second input to the VCO. The VCO phase-compare the two inputs and adjusts its output frequency until synchronized with the read data frequency. The synchronized output is routed through “exclusive-or” gate U23C to clock the Sync One Detector FF (U102B) and Data Buffer FF (U112A), which, along with the Ones Catcher FF, separate the data from the clock information. The serial output of the Data Buffer FF is routed to the serial-to-parallel converter for stacking into 16-bit words.

4-30. The word counter in the sector formatter is preset to count 240 when the data transfer operation commences (i.e. $\overline{\text{Control}}$ goes low). Once the read gate (U71D) is enabled, Data Clock pulses clock the bit counter in the sector formatter, which, in turn, clocks the word counter. When the word counter reaches count 246, the Lock-up Delay FF (U102A) is set. The Lock-up Delay FF enables the Sync One Detector FF and also presets the bit counter to count 15 and the word counter to count 253. As a result, the very next data pulse, which will be the “1” bit in the sector sync word, sets the Sync One Detector FF and thus enables the Data Buffer FF. (The word counter is clocked to count 254 so that address and data words can be counted precisely.) Subsequent data pulses toggle the Data Buffer FF which provides a serial data output in the conventional non-return-to-zero (NRZ) format as shown in figure 4-8.



70126 A

Figure 4-3. Disc Interface 1 PCA Block Diagram

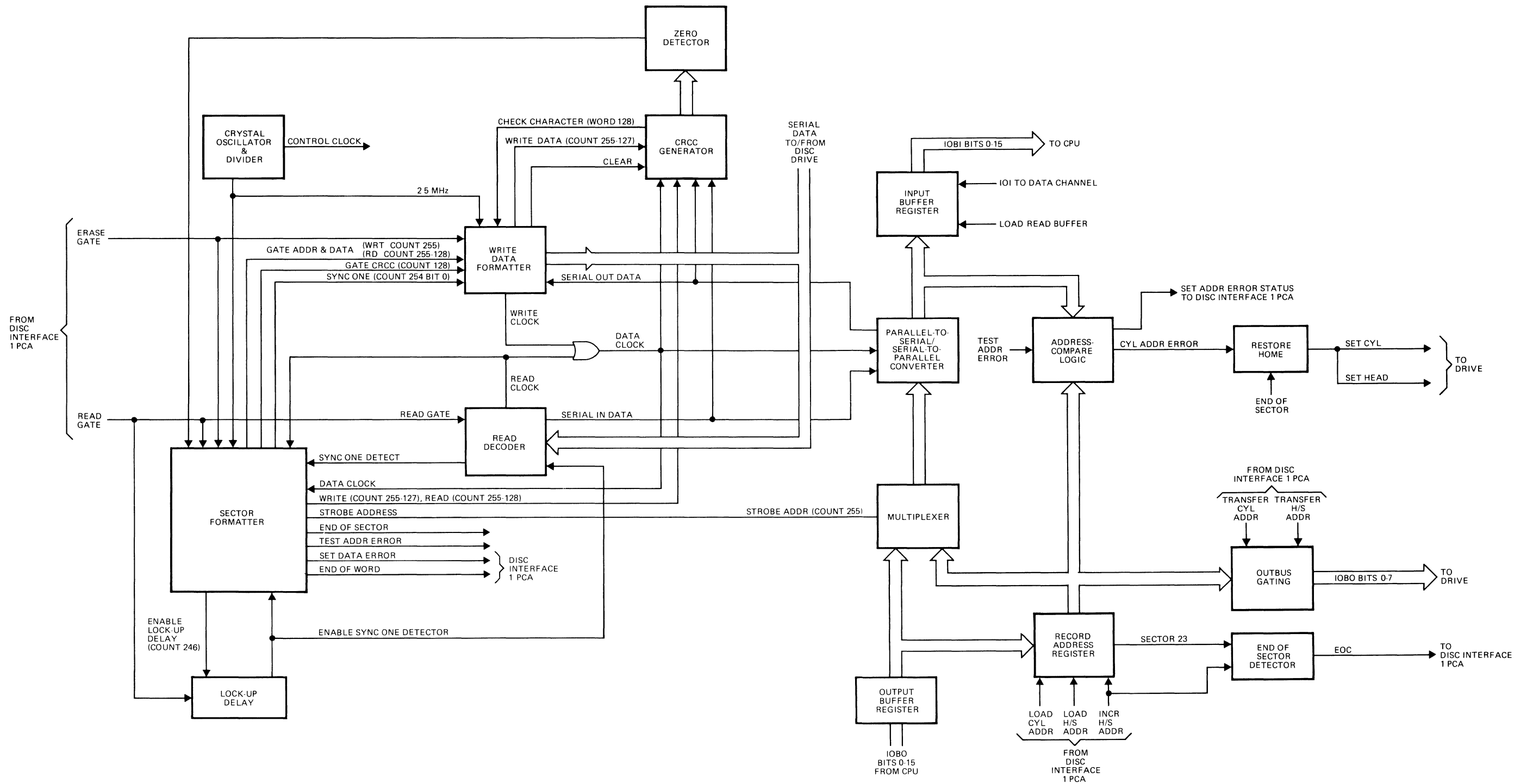
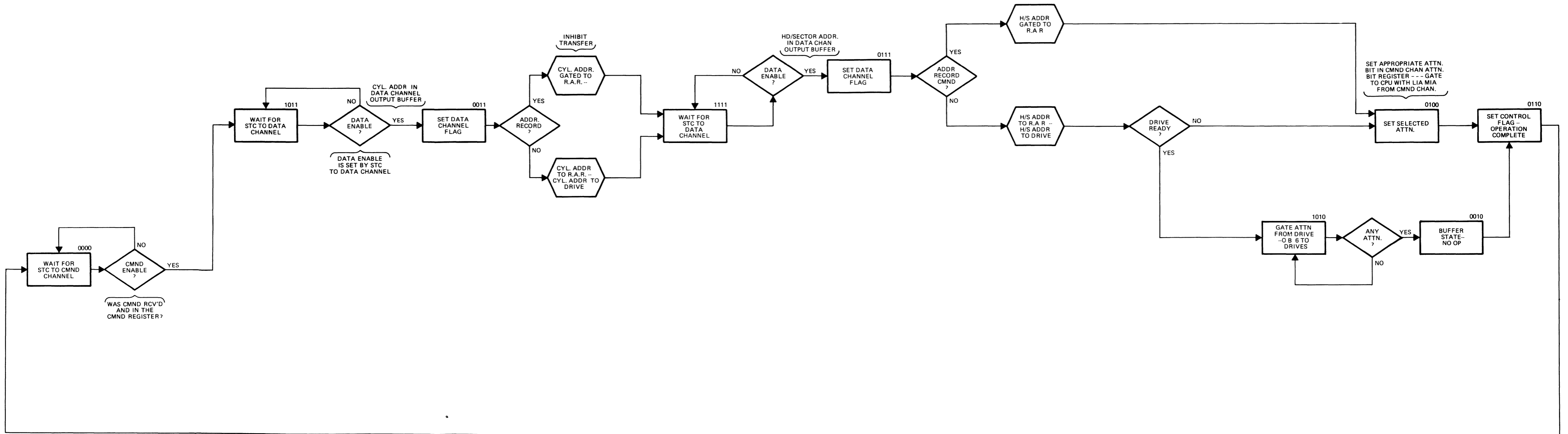


Figure 4-4. Disc Interface 2 PCA Block Diagram



7012-9A

Figure 4-5. Seek Record and Address Record Operations Flow Diagram

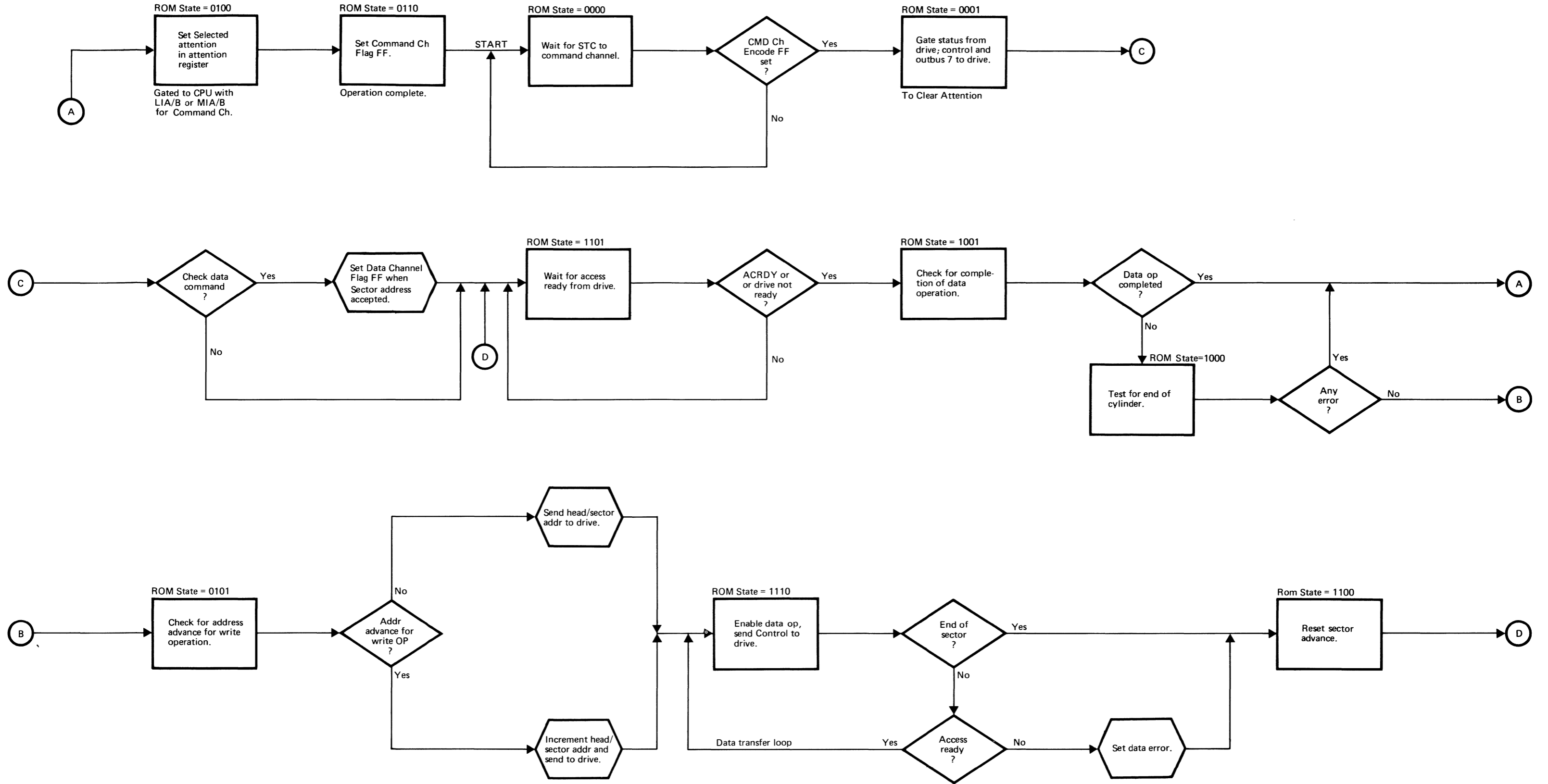
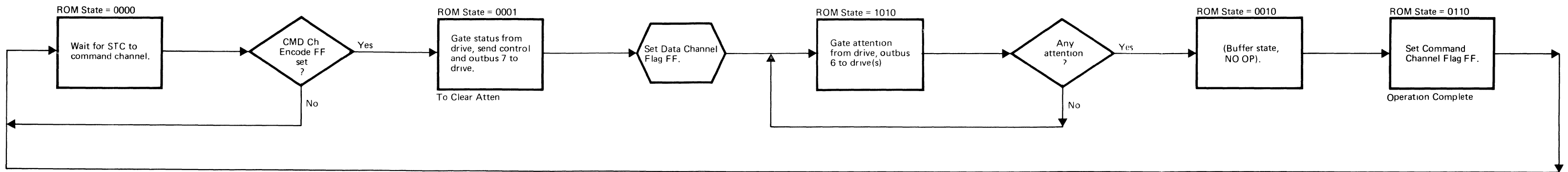
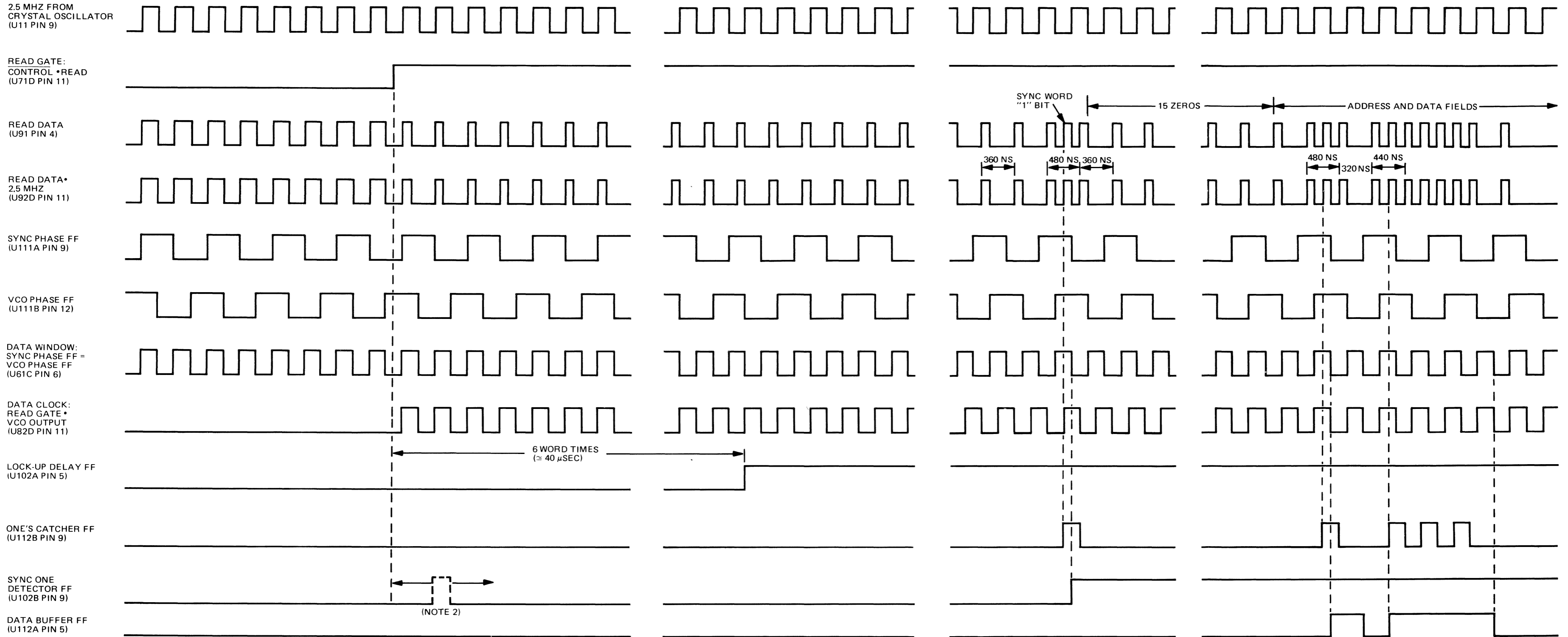


Figure 4-6. Write, Read, Check Data, and Initialize Data Operations Flow Diagram





NOTES:

1. ALL SIGNAL LOCATIONS ON DISC INTERFACE 2 PCA (13210-60000).
2. ONE'S CATCHER FF MAY BE SET ANYTIME AFTER READ GATE ENABLED BUT NO "1" BITS ARE PASSED UNTIL AFTER LOCK-UP DELAY FF IS SET.

SECTION V MAINTENANCE

5-1. INTRODUCTION.

5-2. This section provides maintenance information for the HP 13210A Disc Drive Interface Kit. Included are preventive maintenance and corrective maintenance instructions, mnemonic definitions (table 5-1), parts location views, and schematic diagrams.

5-3. PREVENTIVE MAINTENANCE.

5-4. Detailed preventive maintenance procedures and schedules are provided in the computer documentation. There are no separate preventive maintenance procedures to be performed on the interface kit.

5-5. CALIBRATION.

5-6. The disc interface 2 PCA (13210-60000) contains a voltage-controlled oscillator (VCO) within the phase-lock loop integrated circuit U101 that may require adjustment following replacement of U101, C17, or C18. Adjustment may also be required periodically if data errors occur.

5-7. The VCO can be checked and adjusted, if necessary, as follows:

a. After at least 5 minutes warm-up time, connect TP2 (U111A, pin 2) to ground and connect digital frequency counter to TP1 (U61B, pin 4).

b. Frequency counter should read between 2.495 and 2.505 MHz.

c. If required, adjust C18 to obtain a counter reading between 2.495 and 2.505 MHz.

5-8. TROUBLESHOOTING.

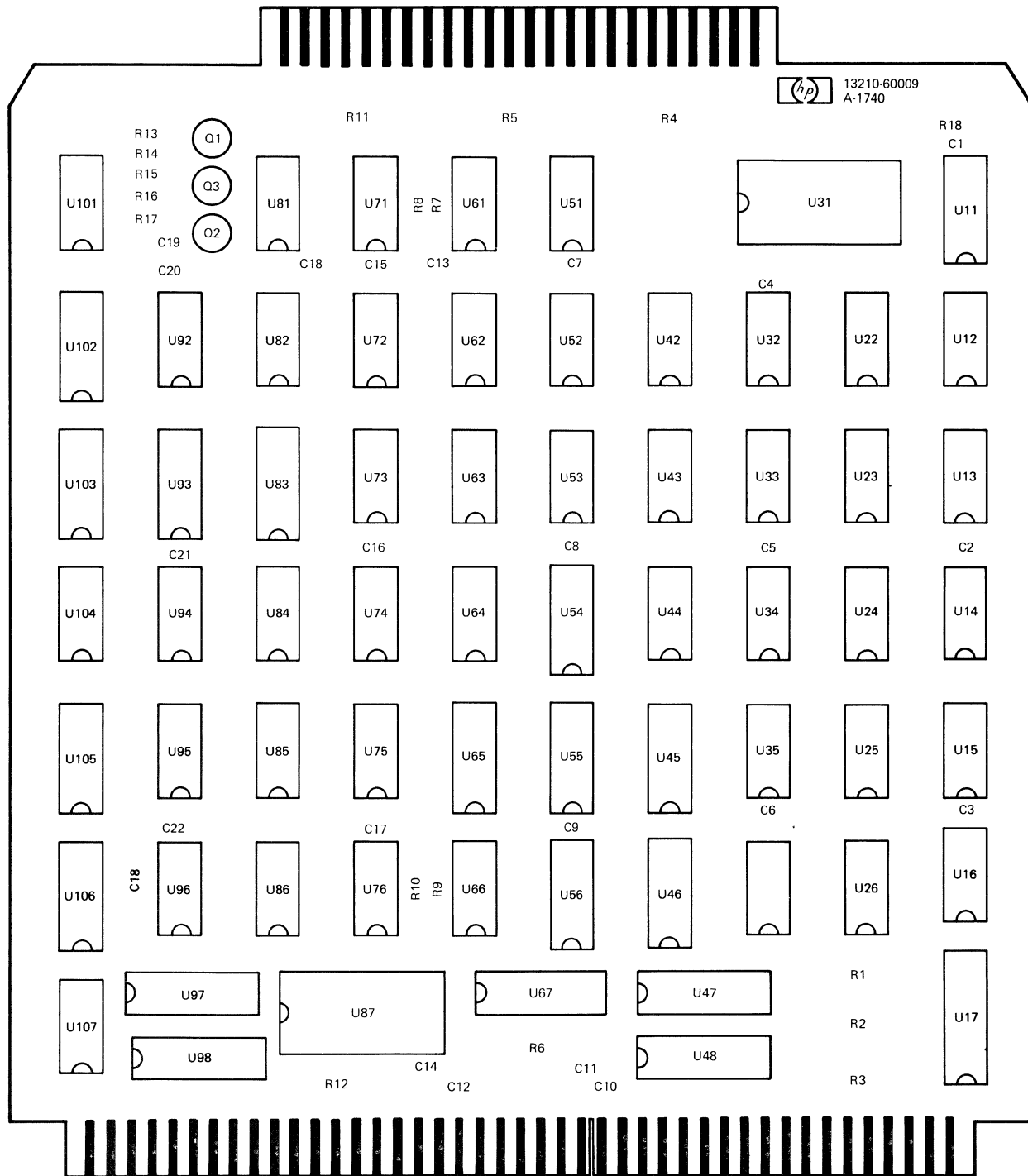
5-9. Troubleshooting the interface kit is accomplished by performing the appropriate diagnostic program procedures and analyzing the error halts that occur as the test is being run. Figures 5-1 through 5-4 contain the schematic and parts location diagrams for the kit. Tables 5-2 and 5-3 list the replaceable parts for the disc interface 1 and disc interface 2 PCA's. Table 5-4 lists the interconnecting cable plug-to-plug connections.

Table 5-1. Mnemonic Definitions

MNEMONIC	DEFINITION	MNEMONIC	DEFINITION
ACRDY	Access Ready	HAD	Head Address
ADDR ERR; AE	Address Error	ID	Initialize Data
CD	Check Data	IINCR	Inhibit Increment
CDC 0	Check Data Character 0	INCR	Increment
CEN	Command (Channel) Enabled	IOO COM REG	IOO (to Command Register)
CMCH CON FF	Command Channel Control FF	IXSFER	Inhibit Transfer
CMCH FLG FF	Command Channel Flag FF	LRB	Load Read Buffer
CONCLK	Control Clock	PM	Parallel Mode
CSEL	Command Channel Selected	RDGT(B)	Read Gate (Buffered)
CYLAD	Cylinder Address	SAD	Sector Address
DATA OP	Data Operation	SADDR	Strobe Address
DCH FLG FF	Data Channel Flag FF	SEC ADV FF	Sector Advance FF
DCLK	Data Clock	SID	Serial-in Data
DEN	Data (Channel) Enabled	SK SET D FLAG	Seek Set Data Flag FF
DR; DRDY	Drive Ready	SOD	Serial-out Data
DSEL	Data Channel Selected	SOR	Sector Overrun
EOC	End of Cylinder	S6 (etc)	State Register, State 6 (etc)
EOD	End of Data	TAE	Test Address Error
EOS	End of Sector	WC	Write Clock
EOW	End of Word	WRT	Write
ERSGT	Erase Gate	XADDR	Transfer Address
FBS	Flagged Bit Status	XCYL; XFER CYL	Transfer Cylinder
FC; FLG CYL	Flagged Cylinder	XFER H/S(B)	Transfer Head/Sector (Buffered)
FLG BFR RST	Flag Buffer FF Reset		

Table 5-2. Disc Interface 1 PCA (13210-60009) Replaceable Parts

REFERENCE DESIGNATION	HP PART NO.	DESCRIPTION	MFR CODE	MFR PART NO.
C1 thru 10, 14, 16 thru 22	13210-60009	DISC INTERFACE 1 PCA	28480	13210-60009
C11, 12	0160-2055	CAPACITOR, fxd, cer, 0.01 μ F, +80 -20%, 100 VDCW	56289	C023F101F103ZS22-CDH
C13	0180-1746	CAPACITOR, fxd, elctl, 15 μ F, 10%, 20 VDCW	28480	0180-1746
C15	0160-2145	CAPACITOR, fxd, cer disc, 0.005 μ F, 10%, 500 VDCW	91418	TA
Q1, 2, 3	0160-3455	CAPACITOR, fxd, cer, 470 pF, 10%, 1000 VDCW	56289	C067F102F471KS22
R1, 2, 3, 6, 12	1854-0477	TRANSISTOR	80131	2N2222A
R4, 5	1810-0075	RESISTOR ARRAY, 750 ohms, 5%, 0.15W each	28480	1810-0075
R7, 8, 16	1810-0127	RESISTOR ARRAY, 240/560 ohms, 5%, 0.15W each	28480	1810-0127
R9, 10, 13, 14, 15, 17, 18	0683-1015	RESISTOR, fxd, comp, 100 ohms, 5%, 1/4W	01121	CB 1015
R11	0683-1025	RESISTOR, fxd, comp, 1000 ohms, 5%, 1/4W	01121	CB 1025
U11	1810-0275	RESISTOR ARRAY, 1k, 5%, 0.15W each	28480	1810-0275
U12, 15, 24, 26, 34, 36, 42, 51, 92, 94, 95, 96	1820-0626	INTEGRATED CIRCUIT, TTL	07263	9314DC
U13, 33	1820-0054	INTEGRATED CIRCUIT, TTL	01295	SN7400N
U14	1820-0069	INTEGRATED CIRCUIT, TTL	01295	SN7420N
U16, 22	1820-1367	INTEGRATED CIRCUIT	01295	SN74S08N
U17, 47, 48, 67, 97, 98	1820-0372	INTEGRATED CIRCUIT, TTL	01295	SN74H11N
U23, 32, 52, 84	1820-0758	INTEGRATED CIRCUIT	28480	1820-0758
U25, 43, 72, 74, 76, 86	1820-0068	INTEGRATED CIRCUIT, TTL	12040	SN7410N
U31	1820-0174	INTEGRATED CIRCUIT, TTL	01295	SN7404N
U35, 75, 104	1820-0495	INTEGRATED CIRCUIT, TTL	01295	SN74154N
U44, 62, 85	1820-0141	INTEGRATED CIRCUIT, TTL	04713	MC3001P
U45	1820-0239	INTEGRATED CIRCUIT, TTL	04713	MC3002P
U46, 56, 102, 105, 106	1820-0250	INTEGRATED CIRCUIT, TTL	28480	1820-0250
U53	1820-0437	INTEGRATED CIRCUIT, TTL	04713	MC4015P
U54	1820-0075	INTEGRATED CIRCUIT, TTL	01295	SN7473N
U55, 65	1820-0727	INTEGRATED CIRCUIT, TTL	07263	U7B932159X
U61, 64	1820-0233	INTEGRATED CIRCUIT, TTL	01295	SN74193N
U63	1820-0077	INTEGRATED CIRCUIT, TTL	01295	SN7474N
U66, 101	1820-1112	INTEGRATED CIRCUIT	01295	SN74LS74N
U71	1820-0577	INTEGRATED CIRCUIT, TTL	01295	SN7416N
U73	1820-0537	INTEGRATED CIRCUIT, TTL	01295	SN7413N
U81	1820-1449	INTEGRATED CIRCUIT	01295	SN74S32N
U82	1820-0621	INTEGRATED CIRCUIT, TTL	01295	SN7438N
U83	1820-0205	INTEGRATED CIRCUIT, TTL	04713	MC3003P
U87	1820-0111	INTEGRATED CIRCUIT, TTL	07263	U6B930159X
U93	1820-0726	INTEGRATED CIRCUIT, TTL	01295	SN74199N
U103	1816-0005	INTEGRATED CIRCUIT	28480	1816-0005
U107	1820-0615	INTEGRATED CIRCUIT, TTL	04713	MC8312P
	1820-0238	INTEGRATED CIRCUIT, DTL	04713	MC1810P



7012-14

Figure 5-1. Disc Interface 1 PCA (13210-60009) Parts Location Diagram

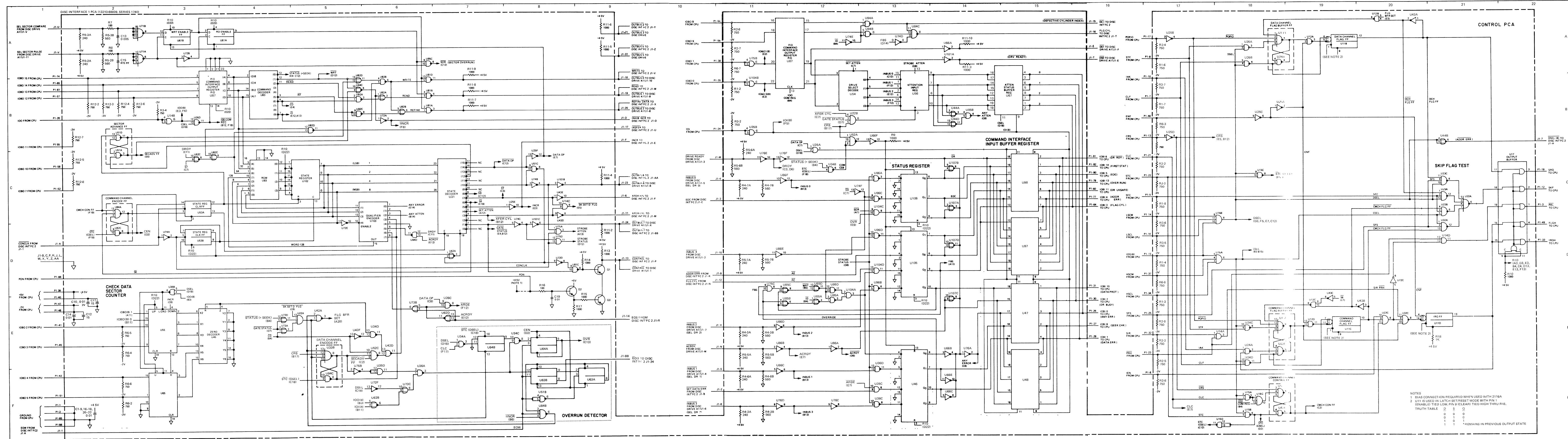
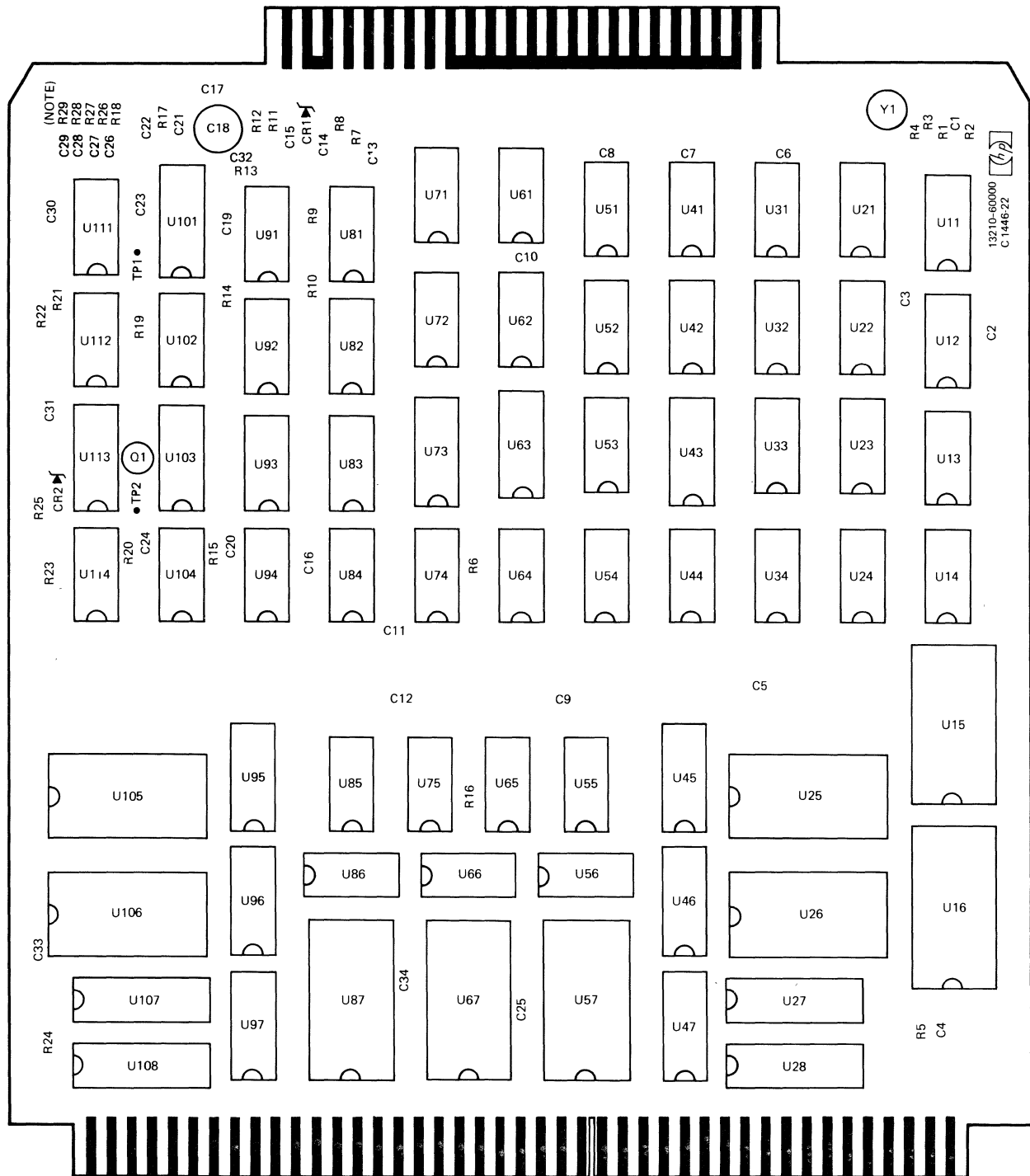


Figure 5-2. Disc Interface 1 PCA (13210-60009) Schematic Diagram

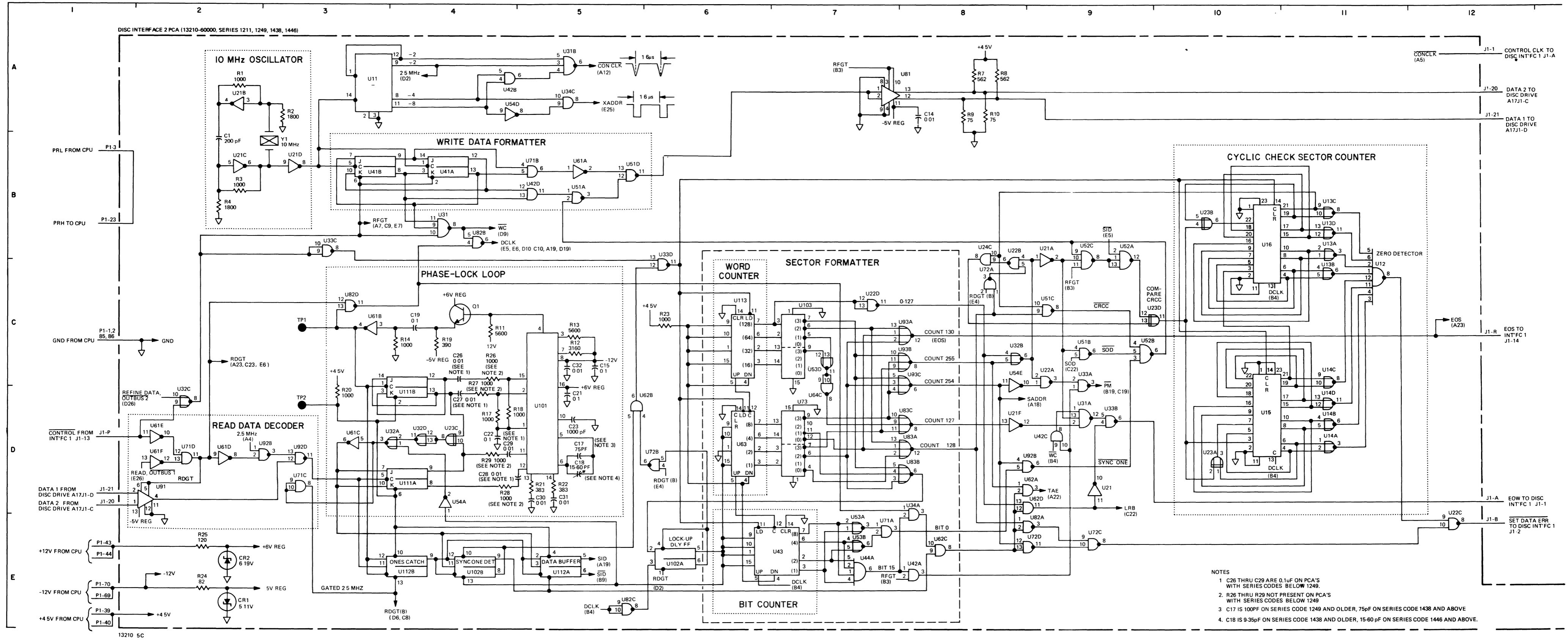
Table 5-3. Disc Interface 2 PCA (13210-60000) Replaceable Parts

REFERENCE DESIGNATION	HP PART NO.	DESCRIPTION	MFR CODE	MFR PART NO.
	13210-60000	DISC INTERFACE 2 PCA	28480	13210-60000
C1	0140-0198	CAPACITOR, fxd, mica, 200 pF, 5%	72136	RDM15F201J3C
C2 thru C14, 16, 20, 24, 25, 32 thru 34	0160-2055	CAPACITOR, fxd, cer, 0.01 μ F, +80 -20%, 100 VDCW	56289	C023F101F103 ZS22-CDH
C15, 19, 21, 22	0150-0121	CAPACITOR, fxd, cer, 0.1 μ F, +80 -20%, 50 VDCW	56289	5C50BIS-CML
C26 thru C29*	0160-3277	CAPACITOR, fxd, cer, 0.01 μ F, 20%, 50 VDCW	96733	G5048X103M
C17 (below series 1438)	0160-2204	CAPACITOR, fxd, mica, 100 pF, 5%	72136	RDM15F111J3C
C17 (series 1438 & above)	0160-2202	CAPACITOR, fxd, mica, 75 pF, 5%, 300 VDCW	28480	0160-2202
C18 (below series 1446)	0121-0046	CAPACITOR, vari, cer, 9-35 pF	28480	0121-0046
C18 (series 1446 & above)	0121-0178	CAPACITOR, vari, cer, 15-60 pF	72982	538-011F15-60
C23	0160-3456	CAPACITOR, fxd, cer, 0.001 μ F, 10%, 250 VDCW	56289	C067F251F102
C30, 31	0160-0161	CAPACITOR, fxd, My, 0.01 μ F, 10%, 200 VDCW	56289	192P10392-PTS
CR1	1902-0041	DIODE, breakdown, 5.11V, 5%	04713	SZ10939-98
CR2	1902-0049	DIODE, breakdown, 6.19V	04713	SZ10939-122
Q1	1854-0045	TRANSISTOR	04713	2N956
R1, 3, 5, 6, 14 thru 18, 20, 23	0683-1025	RESISTOR, fxd, comp, 1000 ohms, 5%, 1/4W	01121	CB 1025
R2, 4	0683-1825	RESISTOR, fxd, comp, 1800 ohms, 5%, 1/4W	01121	CB 1825
R7, 8	0757-0417	RESISTOR fxd, met flm, 562 ohms, 1%, 1/8W	28480	0757-0417
R9, 10	0757-0398	RESISTOR, fxd, met flm, 75 ohms, 1%, 1/8W	28480	0757-0398
R11, 13	0683-5625	RESISTOR, fxd, comp, 5.6k, 5%, 1/4W	01121	CB 5625
R12	0757-0279	RESISTOR, fxd, met flm, 3.16k, 1%, 1/8W	28480	0757-0279
R19	0683-3915	RESISTOR, fxd, comp, 390 ohms, 5%, 1/4W	01121	CB 3915
R21, 22	0698-3446	RESISTOR, fxd, met flm, 383 ohms, 1%, 1/8W	28480	0698-3446
R24	0811-0988	RESISTOR, fxd, ww, 82 ohms, 3%, 3W	28480	0811-0988
R25	0686-1215	RESISTOR, fxd, comp, 120 ohms, 1/2W	19701	MF7C, T-O
R26 thru R29**	0698-7236	RESISTOR, fxd, flm, 1k, 2%, 1/8W	28480	0698-7236
U11	1820-0099	INTEGRATED CIRCUIT, TTL	01295	SN7493N
U12	1820-0070	INTEGRATED CIRCUIT, TTL	01295	SN7430N
U13, 14, 32, 53	1820-0239	INTEGRATED CIRCUIT, TTL	28480	1820-0239
U15, 16, 25, 26, 57 67, 87, 105, 106	1820-0726	INTEGRATED CIRCUIT, TTL	01295	SN74199
U21, 61	1820-0174	INTEGRATED CIRCUIT, TTL	01295	SN7404N
U22, 33, 51, 64, 72, 82, 85, 86, 92	1820-0054	INTEGRATED CIRCUIT, TTL	01295	SN7400N
U23	1820-0282	INTEGRATED CIRCUIT, TTL	01295	SN7486N
U24, 34, 42, 62, 71	1820-0141	INTEGRATED CIRCUIT, TTL	04713	MC3001P
U27, 28, 107, 108	1820-0758	INTEGRATED CIRCUIT	28480	1820-0758
U31, 52	1820-0068	INTEGRATED CIRCUIT, TTL	12040	SN7410N
U41, 55	1820-0544	INTEGRATED CIRCUIT, TTL	01295	SN74H103N
U43, 63, 113	1820-0233	INTEGRATED CIRCUIT, TTL	01295	SN74193N
U44	1820-0374	INTEGRATED CIRCUIT, TTL	01295	SN74H21N
U45, 95	1820-0250	INTEGRATED CIRCUIT, TTL	28480	1820-0250
U46, 47, 96, 97	1820-0616	INTEGRATED CIRCUIT, TTL	07263	U78932259X
U54, 75	1820-0128	INTEGRATED CIRCUIT, DTL	04713	MC837P
U56, 66	1820-0455	INTEGRATED CIRCUIT, TTL	18324	N8288A
U65	1820-0418	INTEGRATED CIRCUIT, DTL	28480	1820-0418
U73, 103	1820-0727	INTEGRATED CIRCUIT, TTL	07263	U7B932159X
U74, 84, 94, 104, 114	1820-0621	INTEGRATED CIRCUIT, TTL	01295	SN7438N
U81	1820-0722	INTEGRATED CIRCUIT, TTL	01295	SN75109N
U83, 93	1820-0637	INTEGRATED CIRCUIT, TTL	18324	N8875A
U91	1820-0723	INTEGRATED CIRCUIT, TTL	01295	SN75107N
U101	1826-0047	INTEGRATED CIRCUIT	18324	NE562B
U102, 112	1820-0077	INTEGRATED CIRCUIT, TTL	01295	SN7474N
U111	1820-0075	INTEGRATED CIRCUIT, TTL	01295	SN7473N
Y1	0410-0436	CRYSTAL, quartz, 10 MHz	28480	0410-0436
*C26 thru C29 (below series 1249)	0150-0121	CAPACITOR, fxd, cer, 0.1 μ F, +80 -20%, 50 VDCW	56289	5C50BIS-CML
**R26 thru R29 (below series 1249)	—	Not Used		



13210-4B

Figure 5-3. Disc Interface 2 PCA Parts Location Diagram



- NOTES
- 1 C26 THRU C29 ARE 0.1µF ON PCA'S WITH SERIES CODES BELOW 1249.
 - 2 R26 THRU R29 NOT PRESENT ON PCA'S WITH SERIES CODES BELOW 1249
 - 3 C17 IS 100PF ON SERIES CODE 1249 AND OLDER, 75pF ON SERIES CODE 1438 AND ABOVE
 - 4 C18 IS 9.35pF ON SERIES CODE 1438 AND OLDER, 15.60 pF ON SERIES CODE 1446 AND ABOVE.

Figure 5-4. Disc Interface 2 PCA Schematic Diagram (Sheet 1 of 2)

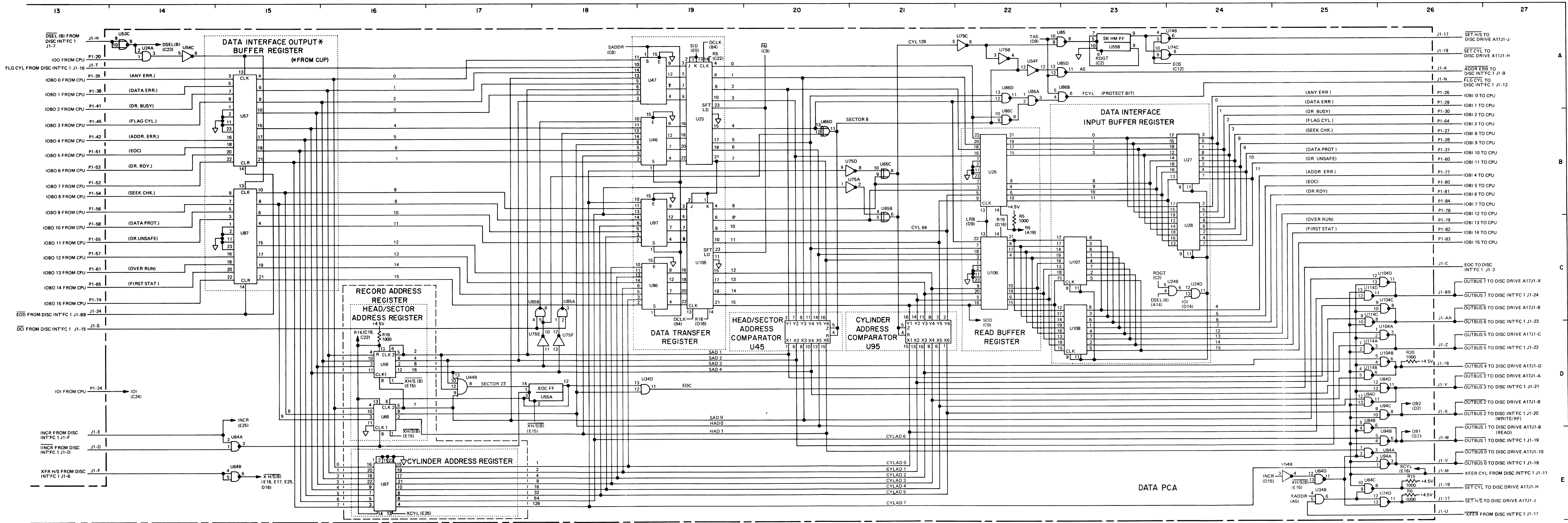


Figure 5-4. Disc Interface 2 PCA Schematic Diagram (Sheet 2 of 2)

Table 5-4. Interconnecting Cable Plug-to-Plug Connections

DISC INTERFACE 1 (P1) PIN	CONNECTS TO	DISC INTERFACE 2 (P2) PIN	CONNECTS TO	DISC DRIVE (P3) PIN	CONNECTS TO
1	P2-A	1	P1-A	1	P1-13, P2-P
2	P2-B	2	Common	2	P1-18, P2-V
3	P2-C	3	Common	3	P1-21, P2-Y
4	P3-V	4	Common	4	Common
5	P3-W	5	Common	5	Common
6	P2-F	6	Common	6	Common
7	P2-H	7	Common	7	Common
8	P3-U	8	Common	8	Common
9	P2-K	9	NC	9	Common
10	P3-R	10	Common	10	Common
11	P2-M	11	Common	11	Common
12	P2-N	12	Common	12	Common
13	P2-P, P3-1	13	Common	13	Common
14	P2-R	14	Common	14	Common
15	P2-S	15	Common	15	Common
16	P2-T	16	Common	16	Common
17	P2-U	17	P3-B	17	Common
18	P2-V, P3-2	18	P3-H	18	Common
19	P2-W, P3-A	19	P3-C	19	Common
20	P2-X, P3-S	20	P3-Z, P3-22	20	Common
21	P2-Y, P3-3	21	P3-Y	21	Common
22	P2-Z, P3-J	22	Common	22	P3-Z
23	P2-AA, P3-K	23	Common	23	NC
24	P2-BB, P3-D	24	P1-BB	24	Shield/Common
A	P2-1	A	P1-1	A	P1-19, P2-W
B	Common	B	P1-2	B	P2-17
C	Common	C	P1-3	C	P2-19
D	P2-D	D	P1-D	D	P1-24, P2-BB
E	Common	E	P1-F	E	P1-S
F	P2-E	F	P1-6	F	P1-T
H	P3-T	H	P1-7	H	P2-18
J	Common	J	Common	J	P1-22, P2-Z
K	NC	K	P1-9	K	P1-23, P2-AA
L	Common	L	Common	L	NC
M	P3-X	M	P1-11	M	P1-V
N	P3-P	N	P1-12	N	P1-U
P	Common	P	P1-13	P	P1-N
R	Common	R	P1-14	R	P1-10
S	P3-E	S	P1-15	S	P1-20, P2-X
T	P3-F	T	P1-16	T	P1-H
U	P3-N	U	P1-17	U	P1-8
V	P3-M	V	P1-18, P3-2	V	P1-4
W	Common	W	P1-19, P3-A	W	P1-5
X	Common	X	P1-20, P3-S	X	P1-M
Y	Common	Y	P1-21, P3-3	Y	P2-21
Z	Common	Z	P1-22, P3-J	Z	P2-20, P3-22
AA	Common	AA	P1-23, P3-K	AA	NC
BB	P2-24	BB	P1-24, P3-D	BB	Shield/Common

SECTION VI

REPLACEABLE PARTS

6-1. INTRODUCTION.

6-2. This section provides information for ordering replacement parts for the disc drive interface kit. Separate parts lists and parts location diagrams are provided for each printed-circuit assembly in section V of this manual. Parts are listed in these tables in alphanumeric order by reference designation. Table 6-1 is a complete parts list for the disc drive interface kit.

6-3. Table 6-1 lists the following information for each part:

- a. Hewlett-Packard part number.
- b. Description of the part. (Refer to table 6-2 for an explanation of abbreviations used in the DESCRIPTIONS column.)

c. Typical manufacturer of the part as a five-digit code. (Refer to table 6-3 for a listing of the manufacturers that correspond to the codes.)

d. Manufacturer's part number.

6-4. ORDERING INFORMATION.

6-5. To order replacement parts, address the order or inquiry to the local HP Sales and Service Office. (Refer to the list at the back of this manual.) Specify the following information for each part ordered.

- a. Kit model number.
- b. HP stock number for each part.
- c. Description of each part.

Table 6-1. HP 13210A Disc Drive Interface Kit Replaceable Parts

HP PART NO.	DESCRIPTION	MFR CODE	MFR PART NO.	TQ
13210-60000	DISC INTERFACE 2 PCA (Refer to table 5-3.)	28480	13210-60000	1
13210-60003	INTERFACE CABLE	28480	13210-60003	1
13210-60009	DISC INTERFACE 1 PCA (Refer to table 5-2.) (See Appendix A for part no. 13210-60004.)	28480	13210-60009	1
13210-90003	OPERATING AND SERVICE MANUAL	28480	13210-90003	1

Table 6-2. Reference Designations and Abbreviations

REFERENCE DESIGNATIONS		
A = assembly	K = relay	TB = terminal board
B = motor, synchro	L = inductor	TP = test point
BT = battery	M = meter	U = integrated circuit, non-repairable assembly
C = capacitor	P = plug connector	V = vacuum tube, photocell, etc.
CB = circuit breaker	Q = semiconductor device other than diode or microcircuit	VR = voltage regulator
CR = diode	R = resistor	W = cable, jumper
DL = delay line	RT = thermistor	X = socket
DS = indicator	S = switch	Y = crystal
E = Misc electrical parts	T = transformer	Z = tuned cavity, network
F = fuse		
FL = filter		
J = receptacle connector		
ABBREVIATIONS		
A = amperes	gra = gray	PCA = printed-circuit assembly
ac = alternating current	grn = green	PWB = printed-wiring board
ad = anode		ph = Phillips head
Al = aluminum	H = henries	pk = peak
AR = as required	Hg = mercury	p-p = peak-to-peak
adj = adjust	hr = hour(s)	pt = point
assy = assembly	Hz = hertz	PIV = peak inverse voltage
	hdw = hardware	PNP = positive-negative-positive
B = base	hex = hexagon, hexagonal	PWV = peak working voltage
bp = bandpass		porc = porcelain
bpi = bits per inch	ID = inside diameter	posn = position(s)
blk = black	IF = intermediate frequency	pozi = pozidrive
blu = blue	in. = inch, inches	
brn = brown	I/O = input/output	rf = radio frequency
brs = brass	int = internal	rdh = round head
Btu = British thermal unit	incl = include(s)	rmo = rack mount only
Be Cu = beryllium copper	insul = insulation, insulated	rms = root-mean-square
	impgrg = impregnated	RWV = reverse working voltage
C = collector	incand = incandescent	rect = rectifier
cw = clockwise	ips = inches per second	r/min = revolutions per minute
ccw = counterclockwise		RTL = resistor-transistor logic
cer = ceramic	k = kilo (10 ³), kilohm	
cmo = cabinet mount only	lp = low pass	s = second
com = common	m = milli (10 ⁻³)	SB, TT = slow blow
crt = cathode-ray tube	M = mega (10 ⁶), megohm	Se = selenium
CTL = complementary-transistor logic	My = Mylar	Si = silicon
cath = cathode	mfr = manufacturer	scr = silicon controlled rectifier
cd pl = cadmium plate	mom = momentary	sil = silver
comp = composition	mtg = mounting	sst = stainless steel
conn = connector	misc = miscellaneous	stl = steel
compl = complete	Met Ox = metal oxide	spcl = special
	mintr = miniature	spdt = single-pole, double-throw
dc = direct current		spst = single-pole, single-throw
dr = drive	n = nano (10 ⁻⁹)	semicond = semiconductor
DTL = diode-transistor logic	n.c. = normally closed or no connection	
depc = deposited carbon	Ne = neon	Ta = tantalum
dpdt = double-pole, double-throw	no. = number	td = time delay
dpst = double-pole, single-throw	n.o. = normally open	Ti = titanium
	np. = nickel plated	tgl = toggle
E = emitter	NPN = negative-positive-negative	thd = thread
ECL = emitter-coupled logic	NPO = negative-positive zero (zero temperature coefficient)	tol = tolerance
ext = external	NSR = not separately replaceable	TTL = transistor transistor logic
encap = encapsulated	NRFR = not recommended for field replacement	
elctlt = electrolytic		U(μ) = micro (10 ⁻⁶)
	OD = outside diameter	V = volt(s)
F = farads	OBD = order by description	var = variable
FF = flip-flop	orn = orange	vio = violet
flh = flat head	ovh = oval head	VDCW = direct current working volts
FIm = film	oxd = oxide	
Fxd = fixed		W = watts
filh = fillister head		ww = wirewound
		wht = white
G = giga (10 ⁹)		WIV = working inverse voltage
Ge = germanium	p = pico (10 ⁻¹²)	
gl = glass	PC = printed circuit	yel = yellow
gnd = ground(ed)		

Table 6-3. Code List of Manufacturers

CODE NO.	MANUFACTURER	ADDRESS
01121	Allen Bradley Co.	Milwaukee, Wisconsin
01295	Texas Instruments Inc. Semiconductor Components Div.	Dallas, Texas
04713	Motorola Semiconductor Prod. Inc.	Phoenix, Arizona
07263	Fairchild Camera & Inst. Corp. Semiconductor Div.	Mountain View, California
12040	National Semiconductor Corp.	Danbury, Connecticut
18324	Signetics Corp.	Sunnyvale, California
19701	Mepco/Electra Inc. Electra Div.	Mineral Wells, Texas
28480	Hewlett-Packard Company	Palo Alto, California
56289	Sprague Electric Co.	N. Adams, Massachusetts
72136	Electro Motive Mfg. Co. Inc.	Willimantic, Connecticut
72982	Erie Technological Prod. Inc.	Erie, Pennsylvania
80131	Electronic Industries Association	Washington D.C.
91418	Radio Materials Co.	Chicago, Illinois
96733	San Fernando Electric Mfg. Co.	San Francisco, California

APPENDIX A

BACKDATING INFORMATION

This backdating appendix provides information for making this manual applicable to earlier versions of HP 13210A Disc Drive Interface Kits. Changes are identified numerically

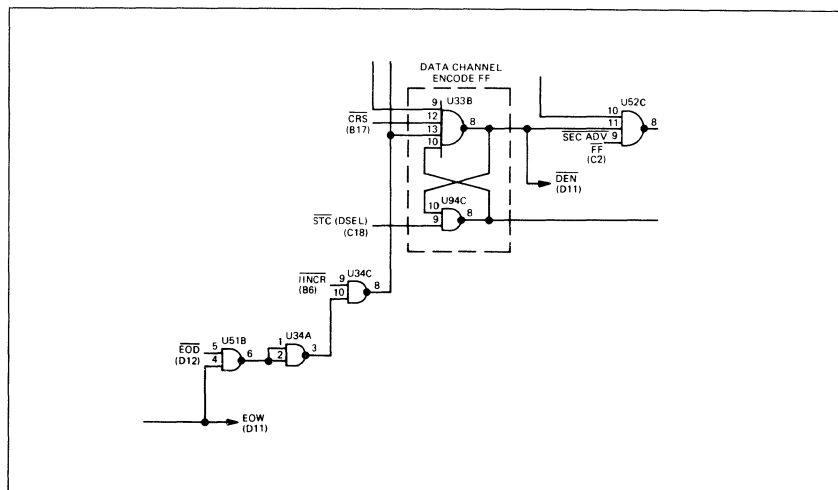
in this appendix. Refer to the following table to determine which changes should be made to achieve a particular kit version.

Description	Part Number	Series	Changes
Disc Interface 2 PCA	13210-60000	1135	1, 2, 3
Disc Interface 2 PCA	13210-60000	1138	3
Disc Interface 1 PCA	13210-60004	1135	4 thru 13
Disc Interface 1 PCA	13210-60004	1211	5 thru 13
Disc Interface 1 PCA	13210-60004	1232	7 thru 13
Disc Interface 1 PCA	13210-60004	1626	9 thru 13
Disc Interface 1 PCA	13210-60004	1710	11, 12, 13

CHANGE

DESCRIPTION

- 1 Pages 5-7 and 5-9; table 5-3 and figure 5-4. Change C17 from 100 pF, part no. 0160-2204 to 110 pF, part no. 0140-0194.
- 2 Page 5-9, figure 5-4.
 - a. At zone E3, add connection between U112B pin 12 and U61C pin 5; delete the connection between U112B pin 12 and U61B pin 4.
 - b. At zone D4, delete U54A from the circuit and connect U32A pin 1 to U32A pin 2.
- 3 Page 5-7, table 5-3; page 5-9, figure 5-4. At zone C4, 5, change R11 and R13 from 5.6k, part no. 0683-5625 to 12k, part no. 0683-1235.
- 4 Page A-7, figure 5-2. At zone D7, delete $\overline{\text{XFER CYL}}$ signal connection from State Decoder, U21 pin 4. Do not make change 8, steps d and g.
- 5 Page A-5, table 5-2. For C14 entry, change HP PART NO. to "0160-3457"; value to "0.002 μF "; MFR CODE to "56289"; and MFR PART NO. to "C067F501F681KS22-CDH."
- 6 Page A-7, figure 5-2. At zone A2, change value of C14 to "0.002."
- 7 Page A-5, table 5-2. Delete entries for U63 and U73. Add U63 to entry beginning with U35 and add U73 to U82 entry.
- 8 Page A-7, figure 5-2. Change as follows:
 - a. Zone B3. For IOO(B) signal change "(E3, F6)" to "(E3)."
 - b. Zone A3. At top of U77, disconnect pins 1, 2, 11, and 23 from signal ground.
 - c. Zone C5. At right side of U102, change pin "6" to "9" and pin "9" to "6."
 - d. Zone C7. At pin 4 of U21, change " $\overline{\text{XFER CYL}}$ (B12)" to read " $\overline{\text{CRS}}$ (B17)."
 - e. Zone B11. At U35B, pin 6, delete signal line labeled "IOI (B) (F6)."
 - f. Zone C11. Change zone designation under signal $\overline{\text{DEN}}$ from "(F7)" to "(E5)."
 - g. Zone B17, 18. Add zone designation "C7" beneath signal $\overline{\text{CRS}}$.
 - h. Zone F5, 6, 7. Delete circuit consisting of U76B U72F, U62B, U35D, U73C, and U36A. Add signal line labeled $\overline{\text{DEN}}$ (D11) from U33B, pin 8 as shown below.

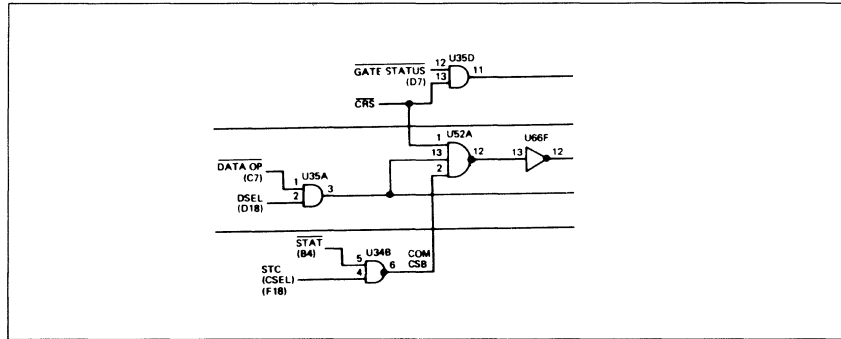


CHANGE

DESCRIPTION

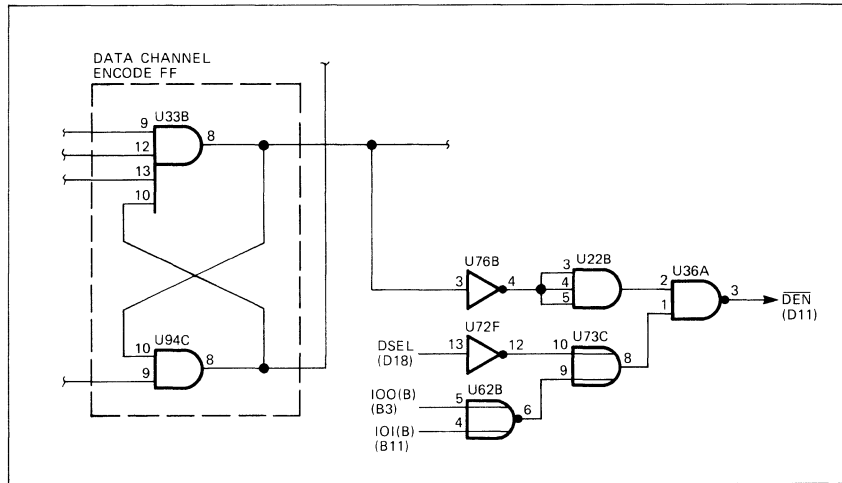
8 (Cont.)

- i. Zone B12. Change circuit consisting of U22B and U52A to a circuit consisting of U53D and U52A as shown below.



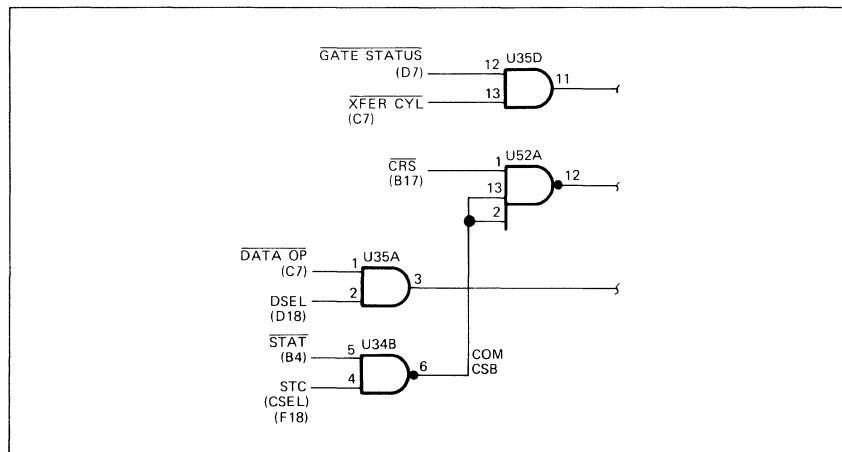
9

Page A-7, figure 5-2. At zone F6, change U35D to U22B with connections as shown below.



10

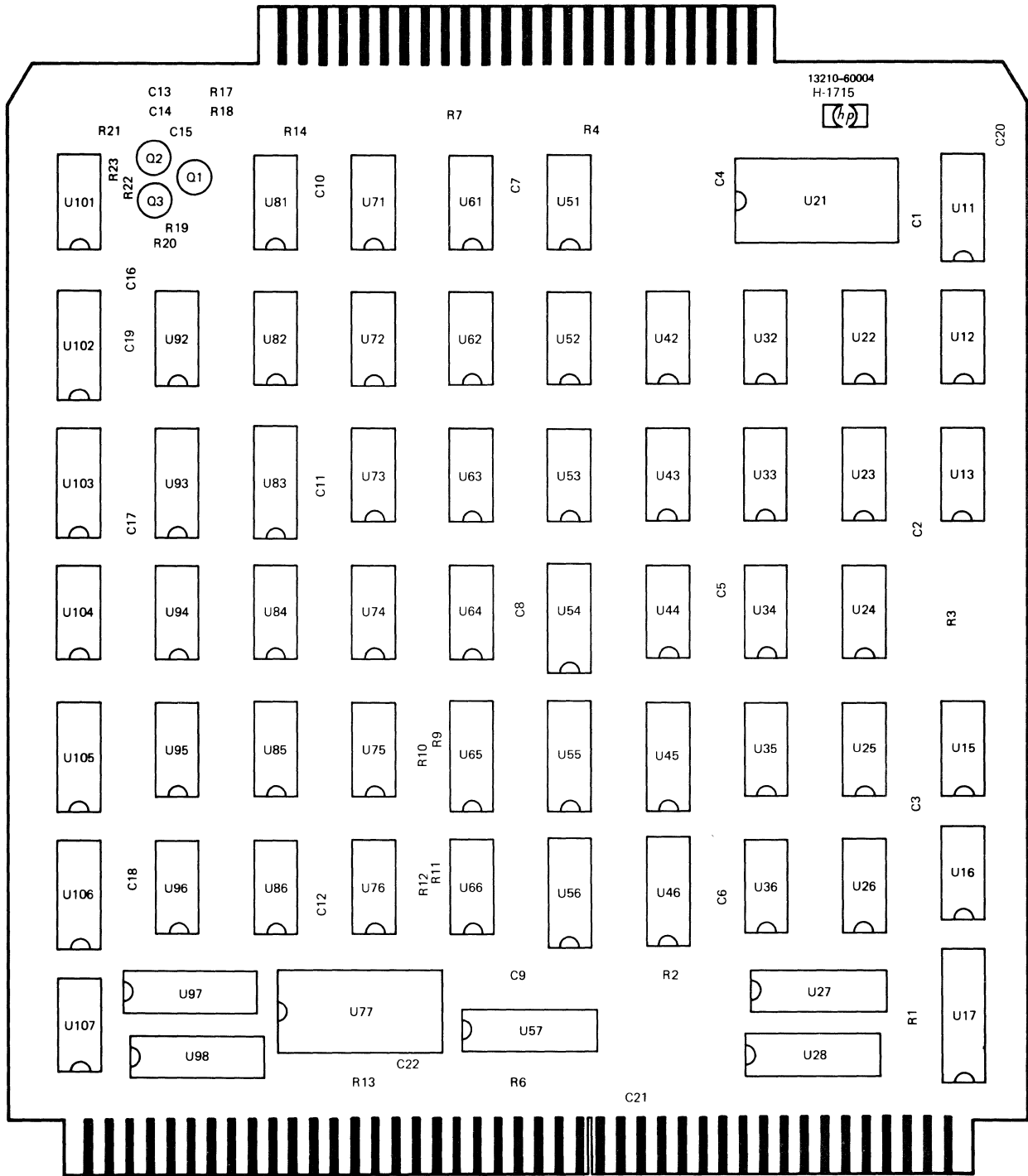
Page A-7, figure 5-2. At zone B12, change U22B to U35D with connections as shown below.



<u>CHANGE</u>	<u>DESCRIPTION</u>
11	Page A-5, table 5-2. Delete entries for C19, C20, C21, and C22.
12	Page A-6, figure 5-1. Delete C19, C20, C21, and C22.
13	Page A-7, figure 5-2. Delete C19, C20, C21, and C22.

Table 5-2. Disc Interface 1 PCA (13210-60004) Replaceable Parts

REFERENCE DESIGNATION	HP PART NO.	DESCRIPTION	MFR CODE	MFR PART NO.
C1 thru 12, 15 thru 20	13210-60004 0160-2055	DISC INTERFACE 1 PCA CAPACITOR, fxd, cer, 0.01 μ F, +80 -20%, 100 VDCW	28480 56289	13210-60004 C023F101F103ZS22-CDH
C13	0160-3455	CAPACITOR, fxd, cer, 470 pF, 10%, 1000 VDCW	56289	C067F102F471KS22
C14	0160-2145	CAPACITOR, fxd, cer disc, 0.005 μ F, 10%, 500 VDCW	91418	TA
C21	0180-1746	CAPACITOR, fxd, Ta, 15 μ F, \pm 10%, 20 VDCW	56289	150D156X9020B2
C22	0180-0309	CAPACITOR, fxd, Ta, 4.7 μ F, \pm 20%, 10 VDCW	56289	150D475X0010A2
Q1, 2, 3	1854-0477	TRANSISTOR	80131	2N2222A
R1, 2, 3, 6, 13	1810-0075	RESISTOR ARRAY, 750 ohms, 5%, 0.15W each	28480	1810-0075
R4, 7	1810-0127	RESISTOR ARRAY, 240/560 ohms, 5%, 0.15W each	28480	1810-0127
R9 thru 12, 19, 20, 21, 23	0683-1025	RESISTOR, fxd, comp, 1000 ohms, 5%, 1/4W	01121	CB 1025
R14	1810-0030	RESISTOR ARRAY, 1k, 5%, 0.15W each	28480	1810-0030
R17, 18, 22	0683-1015	RESISTOR, fxd, comp, 100 ohms, 5%, 1/4W	01121	CB 1015
U11	1820-0626	INTEGRATED CIRCUIT, TTL	07263	9314DC
U12, 15, 24, 26, 34, 36, 42, 51, 92, 94, 95, 96	1820-0054	INTEGRATED CIRCUIT, TTL	01295	SN7400N
U13, 33	1820-0069	INTEGRATED CIRCUIT, TTL	01295	SN7420N
U16, 22	1820-0372	INTEGRATED CIRCUIT, TTL	01295	SN74H11N
U17, 27, 28, 57, 97, 98	1820-0758	INTEGRATED CIRCUIT	28480	1820-0758
U21	1820-0495	INTEGRATED CIRCUIT, TTL	01295	SN74154N
U23, 32, 52, 84	1820-0068	INTEGRATED CIRCUIT, TTL	12040	SN7410N
U25, 43, 72, 74, 76, 86	1820-0174	INTEGRATED CIRCUIT, TTL	01295	SN7404N
U35, 75, 104	1820-0141	INTEGRATED CIRCUIT, TTL	04713	MC3001P
U44, 62, 85	1820-0239	INTEGRATED CIRCUIT, TTL	04713	MC3002P
U45	1820-0250	INTEGRATED CIRCUIT, TTL	28480	1820-0250
U46, 56, 102, 105, 106	1820-0437	INTEGRATED CIRCUIT, TTL	04713	MC4015P
U53	1820-0075	INTEGRATED CIRCUIT, TTL	01295	SN7473N
U54	1820-0727	INTEGRATED CIRCUIT, TTL	07263	U7B932159X
U55, 65	1820-0233	INTEGRATED CIRCUIT, TTL	01295	SN74193N
U61, 64	1820-0077	INTEGRATED CIRCUIT, TTL	01295	SN7474N
U63	1820-1367	INTEGRATED CIRCUIT, TTL	01295	SN74S08N
U66, 101	1820-0577	INTEGRATED CIRCUIT, TTL	01295	SN7416N
U71	1820-0537	INTEGRATED CIRCUIT, TTL	01295	SN7413N
U73	1820-1449	INTEGRATED CIRCUIT	01295	SN74S32N
U77	1820-0726	INTEGRATED CIRCUIT, TTL	01295	SN74199N
U81	1820-0621	INTEGRATED CIRCUIT, TTL	01295	SN7438N
U82	1820-0205	INTEGRATED CIRCUIT, TTL	04713	MC3003P
U83	1820-0111	INTEGRATED CIRCUIT, TTL	07263	U6B930159X
U93	1816-0005	INTEGRATED CIRCUIT	28480	1816-0005
U103	1820-0615	INTEGRATED CIRCUIT, TTL	04713	MC8312P
U107	1820-0238	INTEGRATED CIRCUIT, DTL	04713	MC1810P



NOTE: 1
R22 REPOSITIONED WITH HP 2116A COMPUTER

13210-2A

Figure 5-1. Disc Interface 1 PCA (13210-60004) Parts Location Diagram

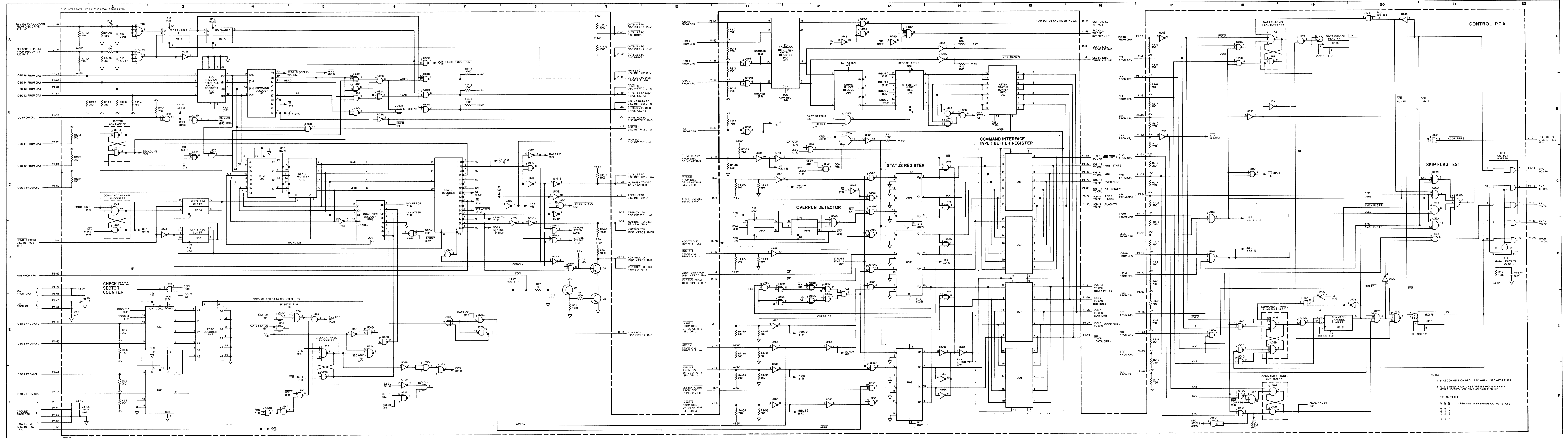


Figure 5-2. Disc Interface 1 PCA (13210-60004) Schematic Diagram

HEWLETT PACKARD

SALES & SERVICE OFFICES

AFRICA, ASIA, AUSTRALIA

<p>ANGOLA Teletra Empresa Técnica de Equipamentos ELECTROS, S.A.R.L. R. Barbosa Rodrigues, 42-1 DT Caixa Postal, 6487</p> <p>Luanda Tel 355156 Cable TELETRA Luanda</p> <p>AUSTRALIA Hewlett-Packard Australia Pty Ltd 31-41 Joseph Street Blackburn Victoria 3130 P.O. Box 36</p> <p>Doncaster East, Victoria 3109 Tel 69-5351 Telex 3001-2156 Cable HEWPAARD Melbourne Hewlett-Packard Australia Pty Ltd 31 Bridge Street</p> <p>Pymble New South Wales 2073 Tel 449-6566 Telex 21561 Cable HEWPAARD Sydney Hewlett-Packard Australia Pty Ltd 153 Greenhill Road Parkside, S.A. 5063 Tel 272-5911 Telex 82536 ADEL Cable HEWPAARD ADELAID Hewlett-Packard Australia Pty Ltd 141 Stirling Highway Nedlands, W.A. 6009 Tel 86-5455 Telex 93859 PERTH Cable HEWPAARD PERTH Hewlett-Packard Australia Pty Ltd 121 Wollongong Street Pyshwick, A.C.T. 2609 Tel 95-2733 Telex 62650 Canberra Cable HEWPAARD CANBERRA Hewlett-Packard Australia Pty Ltd 5th Floor Teachers Union Building 495-499 Boundary Street Spring Hill, 4000 Queensland Tel 229-1544 Cable HEWPAARD Brisbane</p> <p>GUAM Medical/Pocket Calculators Only Guam Medical Supply Inc Jay Euse Building, Room 210 P.O. Box 8947 Tanning 96911 Tel 646-4510 Cable EARMED Guam</p>	<p>HONG KONG Schmidt & Co (Hong Kong) Ltd P.O. Box 297 Connaught Centre 39th Floor Connaught Road Central Hong Kong Tel H-255291-5 Telex 74766 SCHMC HK Cable SCHMIDTDCO Hong Kong</p> <p>INDIA Blue Star Ltd Kasturi Buildings Jamshedji Tata Rd Bombay 400 020 Tel 29 50 21 Telex 001-2156 Cable BLUEFROST Blue Star Ltd Sahas 414-2 Vir Savarkar Marg Prabhadevi Bombay 400 025 Tel 49 78 87 Telex 011-4093 Cable FROSTBLUE Blue Star Ltd Band Box House Prabhadevi Bombay 400 025 Tel 45 73 01 Telex 011-3751 Cable BLUESTAR Blue Star Ltd 7 Hare Street P.O. Box 506 Calcutta 700 001 Tel 23-0131 Telex 021-7655 Cable BLUESTAR Blue Star Ltd 7th & 8th Floor Bhandari House 91 Nehru Place New Delhi 110024 Tel 63470 & 636166 Telex 031-2463 Cable BLUESTAR Blue Star Ltd 1114 A Nagarath Road Bangalore 560 025 Tel 56668 Telex 043-430 Cable BLUESTAR Blue Star Ltd Mesakshi Mandiran xxx/1678 Mahatma Gandhi Rd Cochin 682 016 Tel 32069, 32161 32282 Telex 0865-514 Cable BLUESTAR Blue Star Ltd 1-11-117/1 Sarojini Devi Road Secunderabad 500 003 Tel 70126, 70127 Cable BLUESTAR Blue Star Ltd Sarojini Devi Road Secunderabad 500 003 Tel 70126, 70127 Cable BLUESTAR Telex 015-4959</p>	<p>Blue Star Ltd 2/34 Kodambakkam High Road Madras 600034 Tel 82056 Telex 041-379 Cable BLUESTAR</p> <p>INDONESIA BERCA Indonesia P T P.O. Box 496/Jkt JLN Aribudi Muns 62 Jakarta Tel 40369 49886 49255 356038 Tel 42895 Cable BERCAON BERCA Indonesia P T 63 JLN Raya Gubeng Surabaya Tel 44309</p> <p>ISRAEL Electronics & Engineering Div of Motorola Israel Ltd 17 Kremenetski Street P.O. Box 25016 Tel-Aviv Tel 38973 Telex 33569 Cable BASTEL Tel-Aviv</p> <p>JAPAN Yokogawa-Hewlett-Packard Ltd Ohashi Building 59-1 Yoyogi 1-Chome Shibuya-ku Tokyo 151 Tel 03-370-2281/92 Telex 232-2024/YHP MARKET TOK 23-724 Cable YHPMARKET Yokogawa-Hewlett-Packard Ltd Chujo Bldg 4th Floor 4-20 Nishikajima 5-chome Yodogawa-ku Osaka 531 Tel 06-304-6021 Yokogawa-Hewlett-Packard Ltd Nakamo Building 24 Kami Sasayama-cho Nakamura-ku Nagoya 450 Tel (052) 571-5171 Yokogawa-Hewlett-Packard Ltd Tangaya Building 2-24-1 Tsuruya-cho Kanagawa-ku Yokohama 221 Tel 045-312-1252 Telex 382-3204 YHP YOK Yokogawa-Hewlett-Packard Ltd Mito Mitsu Building 105 Chome-1 San-no-maru Mito, Ibaragi 310 Tel 0292-25-7470 Yokogawa-Hewlett-Packard Ltd Inoue Building 1348-3, Asahi-cho, 1-chome Atsugi Kanagawa 243 Tel 0462-24-0452</p>	<p>Yokogawa-Hewlett-Packard Ltd Kumagaya Asahi Hackjuni Building 4th Floor 3-4 Tsukuba Kumagaya, Saitama 360 Tel 0480-24-5663</p> <p>KENYA Technical Engineering Services(E A)Ltd P.O. Box 18311 Nairobi Tel 557726/656762 Cable PROTON Medical Only International Aeradio(E A)Ltd P.O. Box 19012 Nairobi Airport Nairobi Tel 538055/56 Telex 22201/22301 Cable INTAERIO Nairobi</p> <p>KOREA Samsung Electronics Co Ltd 20th Fl Dongbang Bldg 250 2-KA C P.O. Box 2775 Telegyeong-Ro Chung-ku Seoul Tel (23) 6811 Telex 22575 Cable ELEKSTAR Seoul</p> <p>MALAYSIA Teknik Mutu Sdn Bhd 2 Lorong 136A Section 13 Petaling Jaya Selangor Tel 54994/5496 Telex MA 37605 Protel Engineering P.O. Box 1917 Lot 259 Satok Road Kuching Sarawak Tel 2400 Cable PROTEL ENG</p> <p>MOZAMBIQUE A.N. Gonçalves, Lda 162 1 Apt 14 Av D Luis Caixa Postal 107 Lourenco Marques Tel 27091, 27114 Telex 6203 NESON Mo Cable NEGON</p> <p>NEW ZEALAND Hewlett-Packard (N.Z.) Ltd P.O. Box 9443 Courtenay Place Wellington Tel 877-199 Cable HEWPAK Wellington Hewlett-Packard (N.Z.) Ltd Pukuranga Professional Centre 267 Pakuranga Highway Box 51092 Pakuranga Tel 569-651 Cable HEWPAK Auckland</p>	<p>Analytical/Medical Only Medical Supplies N.Z. Ltd Scientific Division 79 Carlton Gore Rd Newmarket P.O. Box 1234 Tel 75-289 Cable DENTAL Auckland Analytical/Medical Only Medical Supplies N.Z. Ltd P.O. Box 1994 147-161 Tory St Wellington Tel 850-799 Telex 3858 Cable DENTAL Wellington Analytical/Medical Only Medical Supplies N.Z. Ltd P.O. Box 309 239 Stanmore Road Christchurch Tel 892 019 Cable DENTAL Christchurch Analytical/Medical Only Medical Supplies N.Z. Ltd 303 Great King Street P.O. Box 233 Dunedin Tel 69-255 Cable DENTAL Dunedin</p> <p>NIGERIA The Electronics Instrumentations Ltd N6B, 700 Oyo Road Duseun House P.M.B. 5402 Ibadan Tel 51577 Telex 31231 TEIL Nigeria Cable THETEL Ibadan The Electronics Instrumentations Ltd 144 Agege Motor Road, Mushin P.O. Box 6645 Lagos Cable THETEL Lagos</p> <p>PAKISTAN Muskhok & Company Ltd Osman Chambers Abdullah Haroon Road Karachi-3 Tel 511027 512927 Telex 2894 Cable COOPERATOR Karachi Muskhok & Company Ltd 38B Satellite Town Rawalpindi Tel 41924 Cable FEMUS Rawalpindi</p> <p>PHILIPPINES The Online Advanced Systems Corporation Rico House Amorsolo cor. Herrera Str Legaspi Village Makati Central Zone Tel 85-35-81 85-34-91 Telex 3274 ONLINE</p>	<p>Auckland Tel 75-289 Cable DENTAL Auckland Analytical/Medical Only Medical Supplies N.Z. Ltd P.O. Box 1994 147-161 Tory St Wellington Tel 850-799 Telex 3858 Cable DENTAL Wellington Analytical/Medical Only Medical Supplies N.Z. Ltd P.O. Box 309 239 Stanmore Road Christchurch Tel 892 019 Cable DENTAL Christchurch Analytical/Medical Only Medical Supplies N.Z. Ltd 303 Great King Street P.O. Box 233 Dunedin Tel 69-255 Cable DENTAL Dunedin</p> <p>RHODESIA Field Technical Sales 45 Keaven Road North P.O. Box 3458 Salisbury Tel 705231 (5 lines) Telex RH 4122</p> <p>SINGAPORE Hewlett-Packard Singapore (Pte.) Ltd 1150 Depot Road Alexandra P.O. Box 58 Singapore 4 Tel 69-255 Telex HPSG RS 21486 Cable HEWPAK Singapore</p> <p>SOUTH AFRICA Hewlett-Packard South Africa (Pty.) Ltd Private Bag Wendywood Sandton Transvaal 2144 Hewlett-Packard Centre Daphne Street Wendywood Sandton Transvaal 2144 Tel 802-19408 Telex 9-2381 Cable HEWPAK JOHANNESBURG Service Department Hewlett-Packard South Africa (Pty.) Ltd P.O. Box 39325 Gramley Sandton 2018 451 Wynberg Extension 3 Sandton 2001 Tel 636-8188/9 Telex 8-2381 Hewlett-Packard South Africa (Pty.) Ltd P.O. Box 120 Howard Place Cape Province 7450 Pine Park Centre Forest Drive Pineclands, Cape Province 7405 Tel 53-7955 th 9 Telex 57-0006 Service Department Hewlett-Packard South Africa (Pty.) Ltd P.O. Box 37099 Overport, Durban 4067 Bridley House 641 Ridge Road Durban 4001 Tel 88-7478 Telex 6-7954</p>	<p>TAIWAN Hewlett-Packard Far East Ltd Tawan Branch 39 Chung Hsiao West Road Sec 1 7th Floor Taipei Tel 3819160-4 Cable HEWPAK TAIPEI Hewlett-Packard Far East Ltd Tawan Branch 68-2, Chung Cheng 3rd Road Kaohsiung Tel (07) 242318-Kaohsiung Analytical Only San Kwang Instruments Co., Ltd. No. 20 Yung Sui Road Taipei Tel 3715171-4 (5 lines) Cable HEWPAK SANKWANG Cable SANKWANG TAIPEI</p> <p>TANZANIA Medical Only International Aeradio (E.A.), Ltd P.O. Box 861 Dar es Salaam Tel 21251 Ext. 265 Telex 41030</p> <p>THAILAND UNIMESA Co. Ltd Elcom Research Building 2538 Sukumvit Ave Bangkok Tel 3932387, 3930338 Cable UNIMESA Bangkok</p> <p>UGANDA Medical Only International Aeradio (E.A.), Ltd P.O. Box 2577 Kampala Tel 54388 Cable INTAERIO Kampala</p> <p>ZAMBIA R.J. Tilbury (Zambia) Ltd P.O. Box 2792 Lusaka Tel 73793 Cable ARJAYTEE, Lusaka</p>
---	---	--	---	---	---	--

CANADA

<p>ALBERTA Hewlett-Packard (Canada) Ltd 11620A - 168th Street Edmonton T5M 3T9 Tel (403) 452-3670 TWX 610-831-2431 Hewlett-Packard (Canada) Ltd 210, 7220 Fisher St. S.E. Calgary T2H 2H8 Tel (403) 253-2713 TWX 610-821-6141</p>	<p>BRITISH COLUMBIA Hewlett-Packard (Canada) Ltd 837 E. Cordova Street Vancouver V6A 3R2 Tel (604) 254 0531 TWX 610-922-5659</p>	<p>MANITOBA Hewlett-Packard (Canada) Ltd 513 Canterbury St St. James Winnipeg R3H 0L8 Tel (204) 786-7581 TWX 610-671-3531</p>	<p>NOVA SCOTIA Hewlett-Packard (Canada) Ltd 800 Windmill Road Dartmouth B3B 1L1 Tel (902) 489-7820 TWX 610-271-4482 HFX</p>	<p>ONTARIO Hewlett-Packard (Canada) Ltd 1020 Morrison Dr Ottawa K2H 8K7 Tel (613) 820-6483 TWX 610-963-1636 Hewlett-Packard (Canada) Ltd 6877 Gateway Drive Mississauga L4V 1M8 Tel (416) 678-9430 TWX 610-492-4246</p>	<p>QUEBEC Hewlett-Packard (Canada) Ltd 275 Hyman Blvd Poite Claire H9R 1G7 Tel (514) 697-4232 TWX 610-422-3022 TLX 05-821521 HPLC</p>	<p>FOR CANADIAN AREAS NOT LISTED Contact Hewlett-Packard (Canada) Ltd. in Mississauga</p>
--	--	---	---	--	---	--

CENTRAL AND SOUTH AMERICA

<p>ARGENTINA Hewlett-Packard Argentina S.A. Av Leandro N Alem 822 - 12 1001 Buenos Aires Tel 31-6063, 4, 5, 6 and 7 Telex 122443 AR OIGY Cable HEWPAK ARG</p> <p>BOLIVIA Casa Kavlin S.A. Calle Potosi, 1130 P.O. Box 500 La Paz Tel 41530, 53221 Telex CWC BX 5298 ITT 3560082 Cable KAVLIN</p> <p>BRAZIL Hewlett-Packard do Brasil I e C Ltda Avenida Rio Negro, 980 Aplaville 06400 Barueri SP Tel 429-3222</p>	<p>Hewlett-Packard do Brasil I e C Ltda Rua Padre Chagas, 32 Copacabana Porto Alegre-RS Tel (0512) 22-2998 22-5621 Cable HEWPAK Porto Alegre Hewlett-Packard do Brasil I e C Ltda Rua Siqueira Campos 53 Copacabana Rio de Janeiro 20000-Rio de Janeiro Tel 259-89-44-DDD (021) Telex 391-212-1905 HEWPA-RR Cable HEWPAK Rio de Janeiro</p> <p>CHILE Catalpa y Metcalfe Ltda Alameda 580-01 807 Casilla 2118 Santiago, 1 Tel 398613 Telex 3520001 CALMET Cable CALMET Santiago</p>	<p>COLOMBIA Instrumentacion Henrik A. Langebaek & Kier S A Carrera 7 No. 48-75 Apartado Aereo 8287 Bogotá, I.D.E Tel 69-88-77 Cable AARIS Bogotá Telex 044-400</p> <p>COSTA RICA Centrica Costarricense S A Avenida 2 Calle 5 San Pedro de Montes de Oca Apartado 10159 San Jose Tel 24-38-20, 24-08-19 Telex 23627 GALCUR CR Cable GALCUR</p>	<p>ECUADOR Calculators Only Computadoras y Equipos ELECTRONICOS P.O. Box 6423 CCI Eloy Alfaro #1824 3 Piso Quito Tel 453482 Telex 02-2113 Sagta Ed Cable Sagita-Quito</p> <p>EL SALVADOR Instrumentacion y Procesamiento Electronico de el Salvador Bulevar de los Heroes 11-48 San Salvador Tel 252787</p> <p>GUATEMALA IPESA Avenida La Reforma 3-48 Zona 9 Guatemala City Tel 63627 64786 Telex 4192 Telero Gu</p>	<p>MEXICO Hewlett-Packard Mexicana S.A. de C.V. Av Periferico Sur No 6501 Tepepan, Xochimilco Mexico 23 D F Tel 905-676-4600</p> <p>Hewlett-Packard Mexicana, S.A. de C.V. Ave. Constitucion No 2184 Monterrey, N.L. Tel 48-71-32 48-71-84 Telex 038-410</p> <p>NICARAGUA Roberto Terán G Apartado Postal 689 Edificio Terán Managua Tel 2514, 23412, 23454 Cable ROTERAN Managua</p> <p>PANAMA Electronico Balboa S.A. P.O. Box 4929 Calle Samuel Lewis Ciudad de Panama Tel 64-2700 Telex 3465303 Curunda, Panama Zone Cable ELECTRON Panama</p>	<p>PERU Compalia Electro Médica S A Los Flamencos 145 San Isidro Casilla 1030 Lima 1 Tel 41-4325 Cable ELMED Lima</p> <p>PUERTO RICO Hewlett-Packard Inter-Américas Puerto Rico Branch Office Calle 272, No. 203 Urb. Country Club Carolina 00924 Tel (809) 762-7255 Telex 345 0514</p> <p>URUGUAY Pablo Ferrando S A Comercial e Industrial Avenida Itaha 2877 Casilla de Correo 370 Montevideo Tel 40-3102 Cable RADUIM Montevideo</p>	<p>VENEZUELA Hewlett-Packard de Venezuela C.A. P.O. Box 50993 Caracas 105 Los Ruices Norte 3a Transversal Edificio Segre Caracas, 107 Tel 35-00-11 (20 lines) Telex 25146 HEWPAK Cable HEWPAK Caracas</p> <p>FOR AREAS NOT LISTED, CONTACT Hewlett-Packard Inter-Americas 3200 Hillview Ave Palo Alto, California 94304 Tel (415) 493-1501 TWX 910-373-1260 Cable HEWPAK Palo Alto Tel 034-8300 034-8493</p>
---	--	--	---	---	---	---

EUROPE, NORTH AFRICA AND MIDDLE EAST

AUSTRIA
Hewlett-Packard Ges m b H
Handelskaj 52
P O Box 7
A-1205 Vienna
Tel (0222) 351621 to 27
Cable HEWPAK Vienna
Telex 75923 hewpak a

BELGIUM
Hewlett-Packard Benelux
S A N V
Avenue de Col-Vert, 1,
(Groenkaaglaan)
B-1170 Brussels
Tel (02) 672 22 40
Cable PALOGEN Brussels
Telex 23 494 paloben br

CYPRUS
Kypronic
P 9, Gregorios & Xenopoulos Rd
P O Box 1152
C/Nicosia
Tel (4528) 27
Cable KYPRONICS PANDEHIS
Telex 3018

CZECHOSLOVAKIA
Vytvořova a Provozni Zakladna
Vyzkumnych Ustav v Bechovicích
CSSR-25057 Bechovice u Prahy
Tel 59 93 41
Telex 121333
Institute of Medical Bionics
Vyskumny Ustav Lekarskej Bioniky
Jedlova 6
CS-68346 Bratislava-Kramare
Tel 44-551/45-541

DDR
Entwicklungslabor der TU Dresden
Forschungsinstitut Meinsberg
DDR-7305
Waldheim/Meinsberg
Tel 37 567
Telex 112145
Export Contact AG Zuench
Guenther Forger
Schlegelstrasse 15
1040 Berlin
Tel 42-74-12
Telex 111889

DENMARK
Hewlett-Packard A/S
Datavej 52
DK-3460 Birkerød
Tel (02) 81 66 40
Cable HEWPAK AS
Telex 37409 hps dk
Hewlett-Packard A/S
Narvevej 1
DK-8600 Silkeborg
Tel (06) 82 71 66
Telex 37409 hps dk
Cable HEWPAK AS

FINLAND
Hewlett-Packard OY
Näpkahousunte 5
P O Box 6
SF-00211 Helsinki 21
Tel (90) 829331
Cable HEWPAK OY Helsinki
Telex 12-1563 HEWPA SF

FRANCE
Hewlett-Packard France
Quartier de Courtaubouf
Boite Postale No 6
F-91401 Orsay Cedex
Tel (1) 907 78 25
Cable HEWPAK Orsay
Telex 600048
Hewlett-Packard France
Agence Regionale
"Le Saturne"
Chemin des Moulises
B P 162
F-69130 Ecullly
Tel (78) 33 61 25
Cable HEWPAK Ecullly
Telex 31 06 17

Hewlett-Packard France
Agence Regionale
Périmètre de la Cèdre
Chemin de la Cèdre, 20
F-31300 Toulouse-Le Mirail
Tel (61) 40 11 11
Cable HEWPAK 51957
Telex 510957

Hewlett-Packard France
Agence Regionale
Aéroport principal de
Marseille-Mérignac
F-13721 Marignane
Tel (91) 89 12 36
Cable HEWPAK MARGN
Telex 410770
Hewlett-Packard France
Agence Regionale
63, Avenue de Rochester
B P 1124
F-35014 Rennes Cedex
Tel (99) 36 33 21
Cable HEWPAK 74912
Telex 740912

Hewlett-Packard France
Agence Regionale
74, Allée de la Robertsau
F-67000 Strasbourg
Tel (80) 35 23 20/21
Telex 890141
Cable HEWPAK STRBG
Hewlett-Packard France
Agence Regionale
Centre Vauban
01, rue Colbert
Entrée A2
F-59000 Lille
Tel (20) 51 44 14
Telex 820744

Hewlett-Packard France
Centre d' Affaires Paris-Nord
Bâtiment Agence
Rue de La Commune de Paris
B P 300
F-93153 Le Blanc Mesnil Cedex
Tel (01) 931 88 50

**GERMAN FEDERAL
REPUBLIC**
Hewlett-Packard GmbH
Vernettszentrale Frankfurt
Bernersstrasse 117
Postfach 560 140
D-6000 Frankfurt 56
Tel (0611) 50 04-1
Cable HEWPAKSA Frankfurt
Tel (0611) 50 04-1
Cable HEWPAKSA Frankfurt
Telex 40 13249 hpfmr
Hewlett-Packard GmbH
Technisches Buero Boblingen
Herenbergerstrasse 110
D-7030 Boblingen, Wurttemberg
Tel (07031) 667-1
Cable HEPAK Boblingen
Tel (07031) 59711

Hewlett-Packard GmbH
Technisches Buero Dusseldorf
Emanuel-Leutze-Str 1 (Seestern)
D-4000 Dusseldorf 11
Tel (0211) 59711
Telex (023) 389-6551
Hewlett-Packard GmbH
Technisches Buero Hamburg
Wendenstrasse 23
D-2000 Hamburg 1
Tel (040) 24 13 93
Cable HEWPAKSA Hamburg
Telex 21 63 032 hpph d

Hewlett-Packard GmbH
Technisches Buero Hannover
Am Grossmarkt 6
D-3000 Hannover 91
Tel (0511) 78 47 74
Telex 092 3259

Hewlett-Packard GmbH
Werk Grotzingen
Ohmstrasse 6
D-7500 Karlsruhe 41
Tel (0721) 69 40 06
Telex 07-825707

Hewlett-Packard GmbH
Technisches Buero Nuremberg
Neumeyer Str. 90
D-8500 Nuremberg
Tel (0911) 56 30 83/85
Telex 0623 860
Hewlett-Packard GmbH
Technisches Buero Munchen
Unterschloinger Strasse 28
ISAR Center
D-8012 Ottobrunn
Tel (089) 601 30 61/7
Cable HEWPAKSA Munchen
Tel (089) 604985

Hewlett-Packard GmbH
Technisches Buero Berlin
Keith Strasse 2-4
D-1000 Berlin 30
Tel (030) 24 90 86
Telex 18 3405 hpbm d

GREECE
Kostas Karayannas
08, Omrou Street
GR-Athens 133
Tel 522 1915
Cable INTEKXIA Athens
Telex 21 5329 INTE GR
Medical Only
Technomed Hellas Ltd
52, Skoufa Street
GR - Athens 135
Tel 362 6972, 363 3830
Cable ETALX Athens
Telex 21-4693 ETAL GR
HUNGARY
MTA
Muszerügyi és Mérészhackara
Szcoligata
Lenin Kir 67
1391 Budapest VI
Tel 42 03 38
Telex 22 51 14

ICELAND
Medical Only
Elding Trading Company Inc.
Hafnarholvi - Tryggvatoftu
I-S Reykjavik
Tel 1 58 20
Cable ELIDING Reykjavik
Telex 23 494

IRAN
Hewlett-Packard Iran Ltd
No. 13, Fourteenth St
Miremad Avenue
P O Box 41/2419
IR-Tehran
Tel 851082-7
Telex 21 25 74 khm ir

IRAQ
Hewlett-Packard Trading Co
4/1/8 Mansoor City
Baghdad
Tel 5517827
Telex 2455 hepaara iq
Cable HEWPAKSA, Baghdad
Iraq

IRELAND
Hewlett-Packard Ltd
King Street Lane
GB-Winnerah, Wokingham
Berks, RG11 5AA
Tel (0734) 78 47 74
Telex 847178/848179

ITALY
Hewlett-Packard Italiana S p A
Casella postale 3645
I-20100 Milano
Tel (2) 8251 (10 lines)
Cable HEWPAKIT Milano
Telex 32046
Hewlett-Packard Italiana S p A
Via Pietro Maroncelli 40
(ang. via Vesentini)
I-35100 Padova
Tel (49) 66 48 88
Telex 41612 Hewpacki

Medical only
Hewlett-Packard Italiana S p A
Via A. Agnardi, 7
I-56100 Pisa
Tel (050) 2 32 04
Telex 32046 via Milano

Hewlett-Packard Italiana S p A
Via G. Armirolli 10
I-00143 Roma
Tel (06) 54 69 51
Telex 61514
Cable HEWPAKIT Roma
Hewlett-Packard Italiana S p A
Corso Giovanni Lanza
I-1081 Torino
Tel (011) 682245/659308
Medical/Calculators Only
Hewlett-Packard Italiana S p A
Via Principe Nicola 43 G/C
I-95129 Catania
Tel (095) 37 05 04
Hewlett-Packard Italiana S p A
Via Amerigo Vespucci, 9
I-80142 Napoli
Tel (081) 33 77 11
Hewlett-Packard Italiana S p A
Via E. Mattei, 91b
I-40137 Bologna
Tel (051) 30 78 87

KUWAIT
Al-Khaldiya Trading &
Contracting Co
P O Box 830-Saft
Kuwait
Tel 424910-411726
Telex 2481 areg kt
Cable VISCOUNT
Telex 22 51 14

LUXEMBURG
Hewlett-Packard Benelux
S A N V
Avenue du Col-Vert, 1
(Groenkaaglaan)
B-1170 Brussels
Tel (02) 672 22 40
Cable PALOGEN Brussels
Telex 23 494

MOROCCO
Gepol
190, Blvd Ibrahim Roudani
Casablanca
Tel 25-1676/25-90-99
Cable Gepol-Casa
Telex 23979

NETHERLANDS
Hewlett-Packard Benelux N V
Van Heuven Goedhartlaan 121
P O Box 667
NL-1134 Amstelveen
Tel (020) 47 20 21
Cable PALOGEN Amsterdam
Telex 13 216 hepa nl

NORWAY
Hewlett-Packard Norge A/S
Nesveien 13
Box 149
N-1344 Haslum
Tel (02) 53 83 80
Telex 16621 hpnas n

POLAND
Biuro Informatyki Technicznej
Hewlett-Packard
Ul Slawki 2, 6P
00-800 Warszawa
Tel 395962/395187
Telex 81 24 53 hepa pl
UNIPAN
Zaklad Doswiadczalny
Budowy Aparatury Naukowej
Ul1 Krasowa Rady Narodowej 51/55
00-800 Warszawa
Tel 36190
Telex 81 46 48
Zaklady Naprawcze Sprzetu
Medycznego
Kloc Komuny Paryskiej 6
90-007 Lodz
Tel 334-41 337-83

PORTUGAL
Telectra-Empresa Técnica de
Equipamentos Eléctricos S a r l
Rua Rodrigo da Fonseca 103
P O Box 2531
P-Lisbon 1
Tel (01) 68 60 72
Cable TELECTRA Lisbon
Telex 12598

Medical only
Mundinter
Intercambio Mundial de Comercio
S a r l
Av A de Aguar 138
P O Box 2761
P - Lisbon
Tel (19) 53 21 31/7
Cable INTERCAMBIO Lisbon

RUMANIA
Hewlett-Packard Reprezentanta
Bd N. Balcescu 16
Bucharest
Tel (01) 68223138885
Telex 10440
I I R U C
Intreprinderea Pentru
Intretinerea
S-a Reparativa Utilajelor de Calcul
B-ud prof Dumitrie Pompei 6
Bucharest-Sectorul 2
Tel 12 64 30
Telex 11716

SAUDI ARABIA
Modern Electronic Establishment
King Abdul Aziz str (Head office)
P O Box 1228
Jeddah
Tel 31173-332201
Cable ELECTRA
P O Box 27228 (Service center)
Riyadh
Tel 62595-66232
Cable RAOUFCCO

SPAIN
Hewlett-Packard Española, I S A
Jerez Calle 3
E-Madrid 16
Tel (1) 458 26 00 (10 lines)
Telex 23515 hpe
Hewlett-Packard Española S A
Milanesado 21-23
E-Barcelona 17
Tel (3) 203 6200 (5 lines)
Telex 52603 hpe e
Hewlett-Packard Española S A
Av Ramón y Cajal 1
Edificio Valencia, planta 9
E-Seville 5
Tel 64 44 54/58
Hewlett-Packard Española S A
Edificio Alfa II 7, 8
E-Bilbao 1
Tel 23 83 06/23 82 06
Nesveien 13
Cables Only
Hewlett-Packard Española S A
Gran Via Ferrnado El Catolico 67
Tel (02) 53 83 80
Telex 326 67 28/326 65 55

SWEDEN
Hewlett-Packard Sverige AB
Enghetsvägen 1-3
Fack
S-161 20 Bromma 20
Tel (08) 730 05 50
Cable MEASUREMENTS
Stockholm
Telex 10721

Hewlett-Packard Sverige AB
Ostra Wintergatan 22
S-421 32 Vastra Frolunda
Tel (031) 49 09 50
Telex 10721 Via Bromma Office

SWITZERLAND
Hewlett-Packard (Schweiz) AG
Zurcherstrasse 20
P O Box 307
CH-8952 Schlieren-Zunch
Tel (01) 52 40 730 18 21
Cable HPAG CH
Telex 12598

Hewlett-Packard (schweiz) AG
Chateau Bloc 19
CH-1219 Le Lignon-Geneva
Tel (022) 96 03 22
Cable HEWPAKAG Geneva
Telex 27 333 hpag ch
SYRIA
Medical/Calculator only
Sawah & Co
20, Avonind Industrial Estate
B P 2308
SYR-Damascus
Tel 16367, 19697, 14268
Cable SAWAH Damascus

TURKEY
Telekom Engineering Bureau
P O Box 437
Beyoglu
TR-Istanbul
Tel 49 40 40
Cable TELEMATION Istanbul
Telex 23669
Medical only
Yilmaz Ozurek
Milli Mudaita Cad No 16/6
Kizilay
TR-Ankara
Tel 25 03 97
Telex 42576 oke tr

UNITED KINGDOM
Hewlett-Packard Ltd
King Street Lane
GB-Winnerah, Wokingham
Berks RG11 5AA
Tel (0734) 78 47 74
Cable Hewpie London
Telex 847178/9

Hewlett-Packard Ltd
Tratfall House,
Navigation Road
Aldricham
Cheshire WA14 1NU
Tel (061) 928 6422
Telex 668068
Hewlett-Packard Ltd
Lyon Court
Hereford Rise
Dudley Road
GB-Halesowen
West Midlands B62 8SD
Tel (015) 55 3911
Telex 339105

Hewlett-Packard Ltd
Wedgeway House
799, London Road
GB-Thornthorpe Health
Surrey CR4 6XL
Tel (01) 684 0103/8
Telex 946825

Hewlett-Packard Ltd
c/o Makro
South Service Wholesale Centre
Wear Industrial Estate
Washington
GB-New Town, County Durham
Tel Washington 464001 ext 57/58

Hewlett-Packard Ltd
10, Wesley St
GB-Castleford
West Yorkshire WF10 1AE
Tel (09775) 50402
Telex 557355
Hewlett-Packard Ltd
1, Weymouth Way
GB-Hitchin
Herts
Tel (0462) 52824/56704
Telex 825981
Hewlett-Packard Ltd
20, Avonind Industrial Estate
Long Mile Road
Dublin 12
Tel Dublin 509458
Telex 80439

USSR
Hewlett-Packard
Representative Office USSR
Petrovsky Boulevard 4/17-KW 12
Moscow 101000
Tel 294-2024
Cable TELEMATION
Telex 7825 hewpak su

YUGOSLAVIA
Iskra-standard/Hewlett-Packard
Miklosiceva 38/VII
61000 Ljubljana
Telb 31 58 79/32 16 74
Telex 31583

**SOCIALIST COUNTRIES
NOT SHOWN PLEASE
CONTACT**
Hewlett-Packard Ges m b H
P O Box 7
A-1205 Vienna, Austria
Tel (0222) 35 16 21 to 27
Cable HEWPAK Vienna
Telex 75923 hewpak a
**MEDITERRANEAN AND
MIDDLE EAST COUNTRIES
NOT SHOWN PLEASE CONTACT**
Hewlett-Packard S A
Mediterranean and Middle
East Operations
35, Kolokotroni Street
Platia Kallianou
GR-Charloteon, Athens, Greece
Tel 8080337/359/429
Telex 21-6588
Cable HEWPAKSA Athens

**FOR OTHER AREAS
NOT LISTED CONTACT**
Hewlett-Packard S A
7, rue du Bois-du-Lan
P O Box
CH-1217 Meyrin 2 - Geneva
Switzerland
Tel (022) 82 70 00
Cable HEWPAKSA Geneva
Telex 2 24 86

10535 Harwin Dr
Houston 77036
Tel (713) 776-6400
205 Billy Mitchell Road
San Antonio 78226
Tel (512) 434-8241
OKLAHOMA
P O Box 32008
Oklahoma City 73132
Tel (405) 721-0200
OREGON
17890 SW Lower Boones
Ferry Road
Tualatin 97062
Tel (503) 620-3350
PENNSYLVANIA
111 Zetta Drive
Pittsburgh 15238
Tel (412) 782-0400
1021 Brist Avenue
King of Prussia Industrial Park
King of Prussia 19406
Tel (215) 265-7000
Telex 510-660-2276

SOUTH CAROLINA
6941-N Trenchmill Road
Columbia 29260
Tel (803) 782-6493
TENNESSEE
Knoxville
Medical Service Only
Tel (615) 523-2022
3027 Vanguard Dr
Director's Plaza
Memphis 38131
Tel (901) 346-8370
Nashville
Medical Service Only
Tel (615) 244-5448
TEXAS
P O Box 1270
201 E. Arapaho Rd
Richardson 75080
Tel (214) 231-6101

FOR US AREAS NOT LISTED
Contact the regional office
nearest you. Atlanta, Georgia
North Hollywood, California
Rockville, Maryland
Rolling Meadows, Illinois
Other complete
addresses are listed above

*Service Only

UNITED STATES

ALABAMA
8290 Whitesburg Dr. S E
P O Box 4207
Huntsville 35802
Tel (205) 881-4591
Medical Only
228 W Valley Ave.
Room 220
Birmingham 35209
Tel (205) 942-2081/2

ARIZONA
2336 E Magnolia St
Phoenix 85034
Tel (602) 244-1361
2424 East Aragon Rd
Tucson 85706
Tel (602) 294-3148

ARKANSAS
Medical Service Only
P O Box 5646
Brady Station
Little Rock 72215
Tel (501) 376-1844

CALIFORNIA
1430 East Orangehorpe Ave
Fullerton 92631
Tel (714) 870-1000
3939 Lankershim Boulevard
North Hollywood 91604
Tel (213) 377-1282
Tel (818) 496-2671
5400 West Rosecrans Blvd
P O Box 92105
World Way Postal Center
Los Angeles 90009
Tel (213) 970-7500
*Los Angeles
Tel (213) 778-7500
3003 Scott Boulevard
Santa Clara 95050
Tel (408) 249-7000
Tel (408) 249-7000
Telex 910-338-0518

*Ridgecrest
Tel (714) 446-6155
646 W North Market Blvd
Sacramento 95834
Tel (916) 929-7222
9606 Aero Drive
P O Box 23323
San Diego 92123
Tel (714) 279-3200
TWX 910-687-2860

COLORADO
5600 South Ulster Parkway
Englewood 80110
Tel (303) 771-3455
CONNECTICUT
12 Lunar Drive
New Haven 06525
Tel (203) 389-6551
TWX 710-465-2029

FLORIDA
P O Box 24210
2806 W Oakland Park Blvd
 Ft Lauderdale 33311
Tel (305) 731-2020
*Jacksonville
Medical Service Only
Tel (904) 398-0663

GEORGIA
P O Box 105005
Atlanta 30348
Tel (404) 955-1500
TWX 810-766-4890
Medical Service Only
*Augusta 30900
Tel (404) 736-0592
P O Box 2103
Warner Robins 31098
Tel (912) 922-0449

HAWAII
2875 So. King Street
Honolulu 96814
Tel (808) 955-4455
Telex 723-705
ILLINOIS
5201 Tolliver Dr
Rolling meadows 60008
Tel (312) 255-9800
TWX 910-687-2860

INDIANA
7301 North Shadeland Ave
Indianapolis 46250
Tel (317) 842-1000
TWX 810-260-1797
IOWA
2415 Heinz Road
Iowa City 52240
Tel (319) 338-9466

KENTUCKY
Medical Only
Atkinson Square
3901 Atkinson Dr
Suite 407 Atkinson Square
Louisville 40218
Tel (502) 456-1573

LOUISIANA
P O Box 840
3229-39 Williams Boulevard
Kenner 70083
Tel (504) 443-6201
MARYLAND
6707 Whitestone Road
Baltimore 21207
Tel (301) 944-5400
TWX 710-862-9157
2 Choke Cherry Road
Rockville 20850
Tel (301) 948-6370
TWX 710-828-9684

MASSACHUSETTS
32 Harlow Ave
Lexington 02173
Tel (617) 861-8960
TWX 710-326-6904

MICHIGAN
23855 Research Drive
Farmington Hills 48024
Tel (313) 476-6400
724 West Centre Ave
Kalamazoo 49002
Tel (606) 323-8362

MINNESOTA
2400 N First Ave
St Paul 55113
Tel (612) 636-0700
MISSISSIPPI
*Jackson
Medical Service Only
Tel (601) 982-9363

MISSOURI
11311 Colorado Ave
Kansas City 64137
Tel (816) 763-8000
TWX 910-771-2087
1024 Executive Parkway
St. Louis 63141
Tel (314) 878-0200

NEBRASKA
Medical Only
7171 Mercy Road
Suite 10
Omaha 68106
Tel (402) 392-0948
NEW JERSEY
W 120 Century Rd
Paramus 07652
Tel (201) 265-3000
TWX 910-990-4951
Crystal Brook Professional
Building
Easttown 07724
Tel (201) 542-1384

NEW MEXICO
P O Box 11634
Station E
11300 Lomas Blvd. N E
Albuquerque 87123
Tel (505) 292-1330
TWX 910-988-1185

156 Wyatt Drive
Las Cruces 88001
Tel (505) 526-2484
TWX 910-993-0350

NEW YORK
6 Automation Lane
Computer Park
Albany 12205
Tel (518) 458-1550
201 South Avenue
Poughkeepsie 12601
Tel (914) 454-7330
Tel (518) 454-2486
TWX 910-993-0350
650 Perinton Hill Office Park
Fairport 14450
Tel (716) 223-9950
5858 East Molly Road
Syracuse 13211
Tel (315) 466-5496
TWX 910-541-0482
1 Crossways Park West
Woodbury 11797
Suite 10
Tel (516) 921-0300
TWX 710-990-4951

NORTH CAROLINA
P O Box 5188
1923 North Main Street
High Point 27262
Tel (919) 885-8101

OHIO
16500 Sprague Road
Cleveland 44130
Tel (216) 243-7300
TWX 810-423-9430
330 Progress Rd
Dayton 45449
Tel (513) 859-8202
1041 Kingsmill Parkway
Columbus 43229
Tel (614) 346-1041

OKLAHOMA
P O Box 32008
Oklahoma City 73132
Tel (405) 721-0200

OREGON
17890 SW Lower Boones
Ferry Road
Tualatin 97062
Tel (503) 620-3350

PENNSYLVANIA
111 Zetta Drive
Pittsburgh 15238
Tel (412) 782-0400
1021 Brist Avenue
King of Prussia Industrial Park
King of Prussia 19406
Tel (215) 265-7000
Telex 510-660-2276

SOUTH CAROLINA
6941-N Trenchmill Road
Columbia 29260
Tel (803) 782-6493
TENNESSEE
Knoxville
Medical Service Only
Tel (615) 523-2022
3027 Vanguard Dr
Director's Plaza
Memphis 38131
Tel (901) 346-8370

Nashville
Medical Service Only
Tel (615) 2