





The information herein is the property of PLESSEY PERIPHERAL SYS  
 Transmittal receipt or possession of the information does not comply  
 license, or imply any rights to use, sell, or manufacture from this info  
 mation and no reproduction or publication of it, in whole or in part, shall  
 be made without written authorization from PLESSEY PERIPHERAL SYS

| REVISIONS |                                      |         |   |
|-----------|--------------------------------------|---------|---|
| LTR       | DESCRIPTION                          | DATE    | APPROVED  |
| A         | Released To Production per E.O. 5891 | 6-27-79 |  |
| B         | Incorporated FO. 3251                | 8-16-79 |  |

|   |                      |          |   |
|---|----------------------|----------|---|
| C | Incorporated EO 3471 | 12-28-79 |   |
| D | Incorporated EO 3693 | 5-30-80  |  |



## PRODUCTION RELEASE

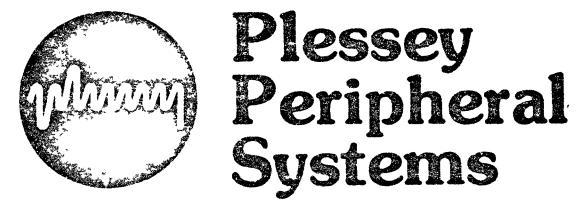
### TABLE OF CONTENTS

| Drawing Number | Title  | Rev. | No. Sheets |
|----------------|--|------|------------|
| MD 703225      | Maintenance Drawing Package Cover Sheet          | D    | 1          |
| 701840         | Board Assembly, Controller, PM-DC11A             | H    | 1          |
| PL 701840-100  | Parts List, Board Assembly, Controller, PM-DC11A | G    | 2          |
| SD 701840      | Schematic Diagram, PM-DC11A                      | D    | 9          |
|                |  |      |            |
|                |  |      |            |
|                |  |      |            |
|                |  |      |            |
|                |  |      |            |
|                |  |      |            |
|                |  |      |            |
|                |  |      |            |
|                |  |      |            |
|                |  |      |            |
|                |  |      |            |
|                |  |      |            |
|                |  |      |            |
|                |  |      |            |
|                |  |      |            |
|                |  |      |            |
|                |  |      |            |
|                |  |      |            |
|                |  |      |            |
|                |  |      |            |
|                |  |      |            |
|                |  |      |            |
|                |  |      |            |
|                |  |      |            |
|                |  |      |            |

# Maintenance Drawing Package

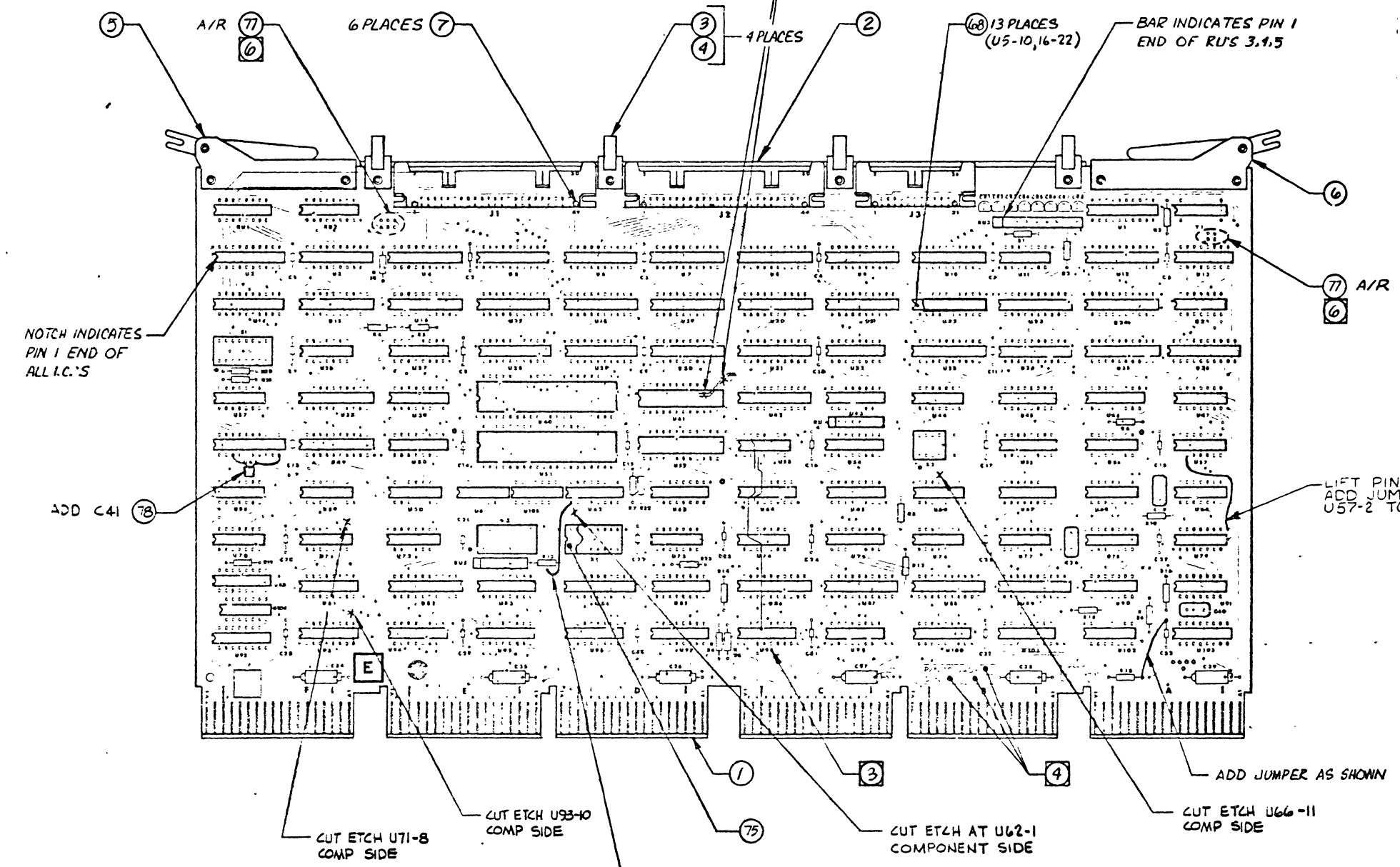
| Products Covered by this Drawing Package |
|--|
| PM-DC11A                                 |
| PM-DSA11/A                               |
| PM-DSA11/B                               |
| PM-DSA11/C                               |
|  |
|  |
|  |
|  |
|  |
|  |
|  |
|  |
|  |
|  |
|  |
|  |
|  |
|  |
|  |

|   |   |   |  |           |
|---|---|---|--|-----------|
| DO NOT SCALE DRAWING  | CONTRACT NO.  |  <b>Plessey Peripheral Systems</b> | DRAWING TITLE: MAINTENANCE DRAWING PACKAGE |           |
| SCREW THREADS PER HANDBOOK H-28   | DRAWN N. Glass 7-9-79   |   | PM-DC11A Disc Controller                   |           |
| COUNTERBORE AND SPOTFACE FILLET RADII TO BE .010 MAXIMUM                                  | CHECK N. Glass 7-9-79   | DRAWING TITLE: MAINTENANCE DRAWING PACKAGE  |  |           |
| REMOVE ALL BURRS AND BREAK SHARP EDGES EQUIVALENT TO .010R                                | DESIGN  | PM-DC11A Disc Controller  |  |           |
| ROUGHNESS OF MACHINED SURFACES 125/ <sub>PER USAS B46.1</sub>                             | PROJ. ENGR. D. Nakaya  | SIZE  | CODE IDENT NO.                             | DWG NO.   |
| STANDARD HOLE TOLERANCE PER AND 103B7   | OTHER   | B   | 52648                                      | MD 703225 |
| TOLERANCES ON .XX + .03 .XX + .010 ANGLES ± 1° 30'  | APPROVALS   | SCALE:  | SHEET 1 OF 1 (13)                          |           |
| INTERPRET DIMENSIONS AND TOLERANCES PER USAS Y14.5  |   |   |  |           |
| DIMENSIONS ARE IN INCHES AND APPLY AFTER HEAT TREAT AND FINISH UNLESS OTHERWISE SPECIFIED |   |   |  |           |



The information herein is the property of PLESSEY PERIPHERAL SYS. Transmission, reproduction or disclosure of the information does not comply with the terms of the license granted to the user by the manufacturer of this information and no part of this information shall be made available to any other person without the written permission of PLESSEY PERIPHERAL SYS.

| REVISIONS |     |                         |          |             |
|-----------|-----|-------------------------|----------|-------------|
| ZONE      | LTR | DESCRIPTION             | DATE     | APPROVED    |
| /         | A   | REL TO PROD PER EO 2853 | 2-22-79  | [Signature] |
| /         | B   | INCORP EO 3022 2#       | 4-15-79  | [Signature] |
| /         | C   | INCORP EO 3033 2#       | 6-6-79   | [Signature] |
| /         | D   | INCORP EO 3190 MC       | 7-26-79  | [Signature] |
| /         | E   | INCORP EO 3207          | 8-3-79   | [Signature] |
| /         | F   | INCORP EO 3366          | 11-15-79 | [Signature] |
| /         | G   | INCORP EO 3432          | 12-27-79 | [Signature] |
| /         | H   | INCORP EO 3521          | 2-22-80  | [Signature] |



| VERSION | LOCATIONS |     |     |
|---------|-----------|-----|-----|
|         | A-B       | B-C | D-E |
| -100    |           | X   |     |
| -101    |           | X   | X   |
| -102    | X         |     |     |
| -103    | X         |     | X   |

X = ADD JUMPER

- 6 SEE JUMPER CHART.
  - 5 COMPONENT LEAD TRIM AND SOLDER BUILD-UP TO BE AS NOTED.
  - 4 MARK ASSEMBLY VERSION NUMBER, LATEST REVISION LETTER AND SERIAL NUMBER WITH .12 HIGH CHARACTERS USING WHITE INK PER MIL-M-13231, GROUP III. LOCATION APPROXIMATELY AS SHOWN.
  - 3 COMPONENT DESIGNATIONS ARE FOR REFERENCE ONLY AND DO NOT APPEAR ON PART.
2. FOR SCHEMATIC DIAGRAM SEE SD701840.
1. ASSEMBLE AND INSPECT PER WORKMANSHIP STANDARDS MANUAL.

| FROM   | TO     |
|--------|--------|
| U56-12 | U52-13 |
| U56-13 | U79-4  |
| U79-5  | U45-14 |
| U79-5  | U52-17 |
| U79-6  | U56-8  |
| U56-8  | U66-11 |
| U105-1 | U60-1  |
| U105-2 | U93-10 |
| U105-3 | U71-1  |

| PART/ASSY NO. & QTY PER ASSY |     | PARTS LIST                      |     |
|------------------------------|-----|---------------------------------|-----|
| REV                          | QTY | DESCRIPTION                     | QTY |
|                              | X   | FOR PARTS LIST SEE PL701840-103 | 5   |
|                              | X   | FOR PARTS LIST SEE PL701840-102 | 4   |
|                              | X   | FOR PARTS LIST SEE PL701840-101 | 3   |
|                              | X   | FOR PARTS LIST SEE PL701840-100 | 2   |
|                              |     | NOTE: PART OR IDENTIFYING NO.   | 1   |

|                           |  |                           |                |
|---------------------------|--|---------------------------|----------------|
| CONTRACT NO.              |  | DWG TITLE                 |                |
| DRAWN BY: [Signature]     |  | BOARD ASSEMBLY CONTROLLER |                |
| CHECK BY: [Signature]     |  | PM-DC11A                  |                |
| PROJ. ENGR: [Signature]   |  | SIZE                      | CODE IDENT NO. |
| PROD. DESIGN: [Signature] |  | D                         | 52648          |
| OTHER: [Signature]        |  | DWG NO. 701840            |                |
| APPROVALS:                |  | SCALE: 1/1                | SHEET 1 OF 1   |

PRODUCTION RELEASE

RF DISTR NO. 1234750

NOTES: UNLESS OTHERWISE SPECIFIED

701840

|   |                             |                                    |         |                                       |                      |
|---|-----------------------------|------------------------------------|---------|---------------------------------------|----------------------|
| <b>PARTS LIST</b>   | <b>Plessey Microsystems</b> | PREPARED BY<br><i>R. RHYTTIMEN</i> | 6-5-78  | PARTS LIST NO.<br><b>PL701840-100</b> | REV. LTR<br><b>G</b> |
| BOARD ASSEMBLY CONTROLLER LOGICAL UNIT, 2.5MB/DISC 1500 RPM PMA-DC11A |                             | CHECKED BY<br><i>[Signature]</i>   | 6-15-78 | CODE IDENT. NO.<br>52648              | SH<br><b>1</b>       |
|   |                             | APPROVED BY<br><i>[Signature]</i>  | 6-19-78 | MICREL NO.<br><b>PMA-DC 11A</b>       | DF<br><b>8</b>       |

| REV. STATUS OF SHEETS | REV. LTR | DESCRIPTION            | DATE     | APPROVED           |
|-----------------------|----------|------------------------|----------|--------------------|
|                       | A        | REL TO PROD PER EO2853 | 3-22-79  | <i>[Signature]</i> |
|                       | B        | INCORP EO 3022 2A      | 4-16-79  | <i>[Signature]</i> |
|                       | C        | INCORP EO. 3190 MC     | 7-20-79  | <i>[Signature]</i> |
|                       | D        | INCORP EO 3207         | 8-3-79   | <i>[Signature]</i> |
|                       | E        | INCORP EO 3366         | 11-14-79 | <i>[Signature]</i> |
|                       | F        | INCORP EO 3432         | 12-27-79 | <i>[Signature]</i> |
|                       | G        | INCORP EO 3542         | 3-3-80   | <i>[Signature]</i> |

PRODUCTION RELEASE

|                       |          |   |   |   |   |   |   |   |   |   |    |
|-----------------------|----------|---|---|---|---|---|---|---|---|---|----|
| REV. STATUS OF SHEETS | REV. LTR | G | E | S | E | A | A | B | F |   |    |
| SHEET                 |          | 1 | 2 | 3 | 4 | 5 | 6 | 7 | 8 | 9 | 10 |

|                   |                             |                                 |                                       |                |                      |
|-------------------|-----------------------------|---------------------------------|---------------------------------------|----------------|----------------------|
| <b>PARTS LIST</b> | <b>Plessey Microsystems</b> | CODE IDENT. NO.<br><b>52648</b> | PARTS LIST NO.<br><b>PL701840-100</b> | SH<br><b>2</b> | REV. LTR<br><b>E</b> |
|-------------------|-----------------------------|---------------------------------|---------------------------------------|----------------|----------------------|

| REFERENCE DESIGNATION      | PIN NO. | REFERENCE DESIGNATION                   | PIN NO. | REFERENCE DESIGNATION | PIN NO. |
|----------------------------|---------|---|---------|-----------------------|---------|
| U1, 18, 24                 | 14      | U73                                     | 20      | RU1, 2                | 65      |
| U2, 3, 4, 23               | 15      | U74                                     | 21      | RU3                   | 66      |
|                            | 16      | U80                                     | 22      | RU4, 5                | 67      |
| U51, 6, 8                  | 17      | U81                                     | 23      |                       | 68      |
| U13, 16, 10, 9             | 18      | U83, 85                                 | 24      | S2                    | 69      |
| U14, 15, 39, 38, 82        | 19      | U87, 89                                 | 25      | S1, 3                 | 70      |
| E1, 86, 88                 | 20      | U92-101                                 | 26      | U90                   | 71      |
| U16                        | 21      | U11, 69                                 | 27      | X1                    | 72      |
| U79                        | 22      | U13, 70, 20, 21, 22, 23, 24, 25, 27, 33 | 28      | U103                  | 73      |
| U26, 58, 71, 76, 102       | 23      | U25, 105                                | 29      | Y1                    | 74      |
| U27                        | 24      | U28                                     | 30      | C41                   | 78      |
| U28-31, 33, 35, 36, 48, 49 | 25      | CK1-8                                   | 31      | U5                    | 8       |
| U32                        | 26      | C39-39                                  | 32      | U6                    | 9       |
| U31, 53, 70, 72, 17        | 27      | J1, 2                                   | 33      | U7                    | 10      |
| U39, 50                    | 28      | J3                                      | 34      | U8                    | 11      |
| U40, 51                    | 29      | C40                                     | 35      | U9                    | 12      |
| U51, 52                    | 30      | R1-5, 8, 19-21                          | 36      | U10                   | 13      |
| U42, 54, 65, 75            | 31      | R6, 11                                  | 37      |                       |         |
| U44                        | 32      | R7, 14                                  | 38      |                       |         |
| U45, 55, 67                | 33      | R23, 25                                 | 39      |                       |         |
| U46                        | 34      | R10, 18, 22, 24                         | 40      |                       |         |
| U47, 60, 91, 104           | 35      | R12                                     | 41      |                       |         |
| U57                        | 36      | R13                                     | 42      |                       |         |
| U59, 78                    | 37      | R15, 16                                 | 43      |                       |         |
| U63                        | 38      | R26                                     | 44      |                       |         |
| U66                        | 39      |   | 45      |                       |         |

|                   |                                   |                                 |                                       |                |                      |
|-------------------|-----------------------------------|---------------------------------|---------------------------------------|----------------|----------------------|
| <b>PARTS LIST</b> | <b>Plessey Peripheral Systems</b> | CODE IDENT. NO.<br><b>52648</b> | PARTS LIST NO.<br><b>PL701840-100</b> | SH<br><b>3</b> | REV. LTR<br><b>G</b> |
|-------------------|-----------------------------------|---------------------------------|---------------------------------------|----------------|----------------------|

| NOTE | QTY REQD | PART OR IDENTIFYING NO. | NOMENCLATURE OR DESCRIPTION                      | SPECIFICATION       | CODE IDENT. NO. | ZONE | F I N O. D | S Y M | C/I USAGE |
|------|----------|-------------------------|--|---------------------|-----------------|------|------------|-------|-----------|
|      | 1        | 701839-001              | PRINTED WIRING BOARD                             |                     |                 |      | 1          |       |           |
|      | 1        | 701011-001              | STIFFENER, PWB, HEX                              |                     |                 |      | 2          |       |           |
|      | 4        | SP 701568-001           | SPACER, MOLDED                                   |                     |                 |      | 3          |       |           |
|      | 4        | SE-410-NICKEL PLATE     | EYELET   | UNITED SHOE (USM)   |                 |      | 4          |       |           |
| G    | 1        | 111-1001-1              | EXTRACTOR, LEFT                                  | CALMARK             |                 |      | 5          |       |           |
| G    | 1        | 111-1001-2              | EXTRACTOR, RIGHT                                 | CALMARK             |                 |      | 6          |       |           |
|      | 6        | 901-040                 | SPACER, UHMV, NYLON .028 ID X .085 OD X .040 THK | BIYAR INC SANTA ANA |                 |      | 7          |       |           |
|      | 1        | 100137-101              | I.C./PROM  |                     |                 |      | 8          |       |           |
|      | 1        | 100137-102              | I.C./PROM  |                     |                 |      | 9          |       |           |
|      | 1        | 100137-103              | I.C./PROM  |                     |                 |      | 10         |       |           |
|      | 1        | 100137-104              | I.C./PROM  |                     |                 |      | 11         |       |           |
|      | 1        | 100137-105              | I.C./PROM  |                     |                 |      | 12         |       |           |
|      | 1        | 100137-106              | I.C./PROM  |                     |                 |      | 13         |       |           |

|                   |                             |                                 |                                       |                |                      |
|-------------------|-----------------------------|---------------------------------|---------------------------------------|----------------|----------------------|
| <b>PARTS LIST</b> | <b>Plessey Microsystems</b> | CODE IDENT. NO.<br><b>52648</b> | PARTS LIST NO.<br><b>PL701840-100</b> | SH<br><b>4</b> | REV. LTR<br><b>E</b> |
|-------------------|-----------------------------|---------------------------------|---------------------------------------|----------------|----------------------|

| NOTE | QTY REQD | PART OR IDENTIFYING NO. | NOMENCLATURE OR DESCRIPTION                               | SPECIFICATION | CODE IDENT. NO. | ZONE | F I N O. D | S Y M | C/I USAGE |
|------|----------|-------------------------|---|---------------|-----------------|------|------------|-------|-----------|
|      | 3        | AM2911                  | I.C./ 4-BIT MICROPROCESSOR SEQUENCER                      | AMD           |                 |      | 14         |       |           |
| E    | 4        | SN74S240                | I.C./ OCTAL BUFFER / LINE DRIVER / LINE RECEIVER          | T. I.         |                 |      | 15         |       |           |
|      |          |                         |   |               |                 |      | 16         |       |           |
|      | 2        | SN74LS00                | I.C./ QUAD 2-INPUT POS-NAND GATE                          |               |                 |      | 17         |       |           |
|      | 3        | SN74S175                | I.C./ HEX / QUAD D-TYPE F/F W/CLEAR                       |               |                 |      | 18         |       |           |
|      | 8        | SN74LS273               | I.C./ OCTAL D-TYPE F/F W/CLEAR                            | T. I.         |                 |      | 19         |       |           |
| C    | 1        | 100141-100              | I.C./ 256-BIT PROM 3-STATE OUTPUT                         |               |                 |      | 20         |       |           |
|      | 1        | SN74LS02                | I.C./ QUAD 2-INPUT POS-NOR GATE                           | T. I.         |                 |      | 21         |       |           |
|      | 5        | SN74LS01                | I.C./ HEX INVERTER  | T. I.         |                 |      | 22         |       |           |
|      | 1        | SN74S158                | I.C./ QUAD 2-LINE TO 1-LINE DATA SELECTOR / MUX / TRIPLER | T. I.         |                 |      | 23         |       |           |
|      | 9        | 136004-001              | I.C./ OCTAL D-TYPE EDGE TRIG F/F                          |               |                 |      | 24         |       |           |
|      | 1        | SN74S139                | I.C./ DECODER / DEMULTIPLEXER                             | T. I.         |                 |      | 25         |       |           |
|      | 5        | SN74LS74                | I.C./ DUAL D-TYPE POS-EDGE TRIG F/F W/PRESET / CLEAR      | T. I.         |                 |      | 26         |       |           |

The information hereon is the property of PLESSEY PERIPHERAL SYS. Transmittal receipt or possession of the information does not imply license, or imply any rights to use, sell, or manufacture from this information and no reproduction or publication of it, in whole or in part, shall be made without written authorization from PLESSEY PERIPHERAL SYS.

CODE IDENT. NO. 52648  
 DWG. NO. PL 701840-100  
 SHEET 1 OF 2  
 SCALE  
 REV

| PARTS LIST |          | Plessey Microsystems    |  | CODE IDENT NO | PARTS LIST NO  | SH   | REV       | C/I USAGE |          |              |       |           |
|------------|----------|-------------------------|--|---------------|----------------|------|-----------|-----------|----------|--------------|-------|-----------|
|            |          |                         |  | 52648         | PL 701840-100  | 5    | A         |           |          |              |       |           |
| NOTE       | QTY REQD | PART OR IDENTIFYING NO. | NOMENCLATURE OR DESCRIPTION                          | SPECIFICATION | CODE IDENT NO. | ZONE | F I N O D | S Y M     | C/I CODE | IN W ON HAND | P A R | UNIT COST |
|            | 2        | AM23701                 | I.C./NON-INVERTING 64-BIT RANDOM ACCESS MEMORY       | AMD           |                |      | 27        |           |          |              |       |           |
|            | 2        | AM2301A                 | I.C./7-BIT BI-POLAR MICRO-PROCESSOR SLICE            | AMD           |                |      | 28        |           |          |              |       |           |
|            | 2        | 9403FC                  | I.C./FIFO BUFFER MEMORY                              | FAIRCHILD     |                |      | 29        |           |          |              |       |           |
|            | 4        | SN74S251                | I.C./DATA SELECTOR/MULTIPLEXER W/ 3-STATE OUTPUT     | T.I.          |                |      | 30        |           |          |              |       |           |
|            | 1        | SN74S86                 | I.C./QUAD 2-INPUT EXCLUSIVE-OR GATE                  |               |                |      | 31        |           |          |              |       |           |
|            | 3        | SN74S138                | I.C./DECODER/DEMULTIPLEXER                           |               |                |      | 32        |           |          |              |       |           |
|            | 1        | SN74S157                | I.C./QUAD 2-LINE TO 1-LINE DATA SELECTOR/MULTIPLEXER |               |                |      | 33        |           |          |              |       |           |
|            | 4        | SN74S00                 | I.C./QUAD 2-INPUT POS-AND GATE                       |               |                |      | 34        |           |          |              |       |           |
|            | 1        | SN74S10                 | I.C./TRIPLE 3-INPUT POS-NAND GATE                    | T.I.          |                |      | 35        |           |          |              |       |           |
|            | 2        | 150000-038              | I.C./QUAD 2-INPUT POS-NAND BUFFERS W/OC              |               |                |      | 36        |           |          |              |       |           |
|            | 1        | SN74S153                | I.C./DUAL 4-LINE TO 1-LINE DATA SELECTOR/MULTIPLEXER | T.I.          |                |      | 37        |           |          |              |       |           |
|            | 1        | SN74S74                 | I.C./DUAL D-TYPE POS-EDGE-TRIG F/F W/PRESET/CLEAR    | T.I.          |                |      | 38        |           |          |              |       |           |
|            | 1        | 150021-381              | I.C./QUAD NOK UNIFIED BUS RECEIVER                   |               |                |      | 39        |           |          |              |       |           |

| PARTS LIST |          | Plessey Microsystems    |  | CODE IDENT NO    | PARTS LIST NO  | SH   | REV       | C/I USAGE |          |              |       |           |
|------------|----------|-------------------------|--|------------------|----------------|------|-----------|-----------|----------|--------------|-------|-----------|
|            |          |                         |  | 52648            | PL 701840-100  | 6    | A         |           |          |              |       |           |
| NOTE       | QTY REQD | PART OR IDENTIFYING NO. | NOMENCLATURE OR DESCRIPTION                                | SPECIFICATION    | CODE IDENT NO. | ZONE | F I N O D | S Y M     | C/I CODE | IN W ON HAND | P A R | UNIT COST |
|            | 1        | SN74S10                 | I.C./TRIPLE 3-INPUT POS-NAND GATE                          | T.I.             |                |      | 40        |           |          |              |       |           |
|            | 1        | SN74S103                | I.C./DUAL J-K POS-EDGE-TRIG F/F W/PRESET/CLEAR             | T.I.             |                |      | 41        |           |          |              |       |           |
|            | 1        | SN74S174                | I.C./HEX/QUAD D-TYPE F/F W/CLEAR                           | T.I.             |                |      | 42        |           |          |              |       |           |
|            | 2        | CM8136                  | I.C./6-BIT UNIFIED BUS COMPARATOR                          | NATIONAL         |                |      | 43        |           |          |              |       |           |
|            | 2        | SN74S244                | I.C./OCTAL BUFFER/LINE DRIVER W/NONINVERTED 3-STATE OUTPUT | T.I.             |                |      | 44        |           |          |              |       |           |
|            | 10       | DSE691                  | I.C./QUAD UNIFIED BUS TRANSCIVER                           | NATIONAL         |                |      | 45        |           |          |              |       |           |
|            | 2        | SN74S00                 | I.C./QUAD 2-INPUT POS-NAND GATE                            | T.I.             |                |      | 46        |           |          |              |       |           |
|            | 30       | CGA103ZDZ               | CAPACITOR/.01 uF   | UNITRODE         |                |      | 47        |           |          |              |       |           |
|            | 2        | CK05-BX321K             | CAPACITOR/330 pF, 10%, 200VDC                              | MIL-C-11015      |                |      | 48        |           |          |              |       |           |
|            | 2        | SN74S02                 | I.C./QUAD 2-INPUT POS-NAND GATE                            | T.I.             |                |      | 49        |           |          |              |       |           |
|            | 1        | SN74S04                 | I.C./HEX. INVERTER   | T.I.             |                |      | 50        |           |          |              |       |           |
|            | 8        | CM4-43B                 | DIODE, LIGHT EMITTING                                      | CHICAGO MINIAURE |                |      | 51        |           |          |              |       |           |
|            | 6        | 1500475 X 902082        | CAPACITOR/4.7 uF, ±10%, 20 V                               | SPRAGUE          |                |      | 52        |           |          |              |       |           |

| PARTS LIST |          | Plessey Microsystems    |  | CODE IDENT NO | PARTS LIST NO  | SH   | REV       | C/I USAGE |          |              |       |           |
|------------|----------|-------------------------|--|---------------|----------------|------|-----------|-----------|----------|--------------|-------|-----------|
|            |          |                         |  | 52648         | PL 701840-100  | 7    | B         |           |          |              |       |           |
| NOTE       | QTY REQD | PART OR IDENTIFYING NO. | NOMENCLATURE OR DESCRIPTION                    | SPECIFICATION | CODE IDENT NO. | ZONE | F I N O D | S Y M     | C/I CODE | IN W ON HAND | P A R | UNIT COST |
| B          | 2        | 3496-1003               | CONNECTOR/50-PIN GOLD TAIL HEAD, RIGHT ANGLE   | 3M            |                |      | 53        |           |          |              |       |           |
| B          | 1        | 3493-1003               | CONNECTOR/26-PIN SOLDER TAIL HEAD, RIGHT ANGLE | 3M            |                |      | 54        |           |          |              |       |           |
|            | 1        | CK05BX 821K             | CAPACITOR/820 pF, ±10%, 200V                   | MIL-C-11015   |                |      | 55        |           |          |              |       |           |
|            | 9        | RC076F42J               | RESISTOR/4.7KΩ, ±5%, 1/4W                      | MIL-R-11      |                |      | 56        |           |          |              |       |           |
|            | 2        | RC076F102J              | RESISTOR/1KΩ, ±5%, 1/4W                        | MIL-R-11      |                |      | 57        |           |          |              |       |           |
|            | 2        | RC076F41J               | RESISTOR/470Ω, ±5%, 1/4W                       | MIL-R-11      |                |      | 58        |           |          |              |       |           |
|            | 2        | RC076F39J               | RESISTOR/390Ω, ±5%, 1/4W                       | MIL-R-11      |                |      | 59        |           |          |              |       |           |
|            | 4        | RC076F18J               | RESISTOR/180Ω, ±5%, 1/4W                       | MIL-R-11      |                |      | 60        |           |          |              |       |           |
|            | 1        | RC076F103J              | RESISTOR/10KΩ, ±5%, 1/4W                       | MIL-R-11      |                |      | 61        |           |          |              |       |           |
|            | 1        | RC076F203J              | RESISTOR/20KΩ, ±5%, 1/4W                       | MIL-R-11      |                |      | 62        |           |          |              |       |           |
|            | 2        | RC076F151J              | RESISTOR/150Ω, ±5%, 1/4W                       | MIL-R-11      |                |      | 63        |           |          |              |       |           |
|            | 1        | RC076F823J              | RESISTOR/82KΩ, ±5%, 1/4W                       | MIL-R-11      |                |      | 64        |           |          |              |       |           |
|            | 2        | 893-5-330/390           | RESISTOR MODULE/330/390Ω                       | BECKMAN       |                |      | 65        |           |          |              |       |           |

| PARTS LIST |          | Plessey Microsystems    |                                   | CODE IDENT NO | PARTS LIST NO  | SH   | REV       | C/I USAGE |          |              |       |           |
|------------|----------|-------------------------|-----------------------------------|---------------|----------------|------|-----------|-----------|----------|--------------|-------|-----------|
|            |          |                         |                                   | 52648         | PL 701840-100  | 8    | F         |           |          |              |       |           |
| NOTE       | QTY REQD | PART OR IDENTIFYING NO. | NOMENCLATURE OR DESCRIPTION       | SPECIFICATION | CODE IDENT NO. | ZONE | F I N O D | S Y M     | C/I CODE | IN W ON HAND | P A R | UNIT COST |
|            | 1        | 100013-007              | RESISTOR MODULE/220Ω              |               |                |      | 66        |           |          |              |       |           |
|            | 2        | 100013-021              | RESISTOR MODULE/10KΩ              |               |                |      | 67        |           |          |              |       |           |
| F          | 13       | C932002                 | SOCKET/20 PIN DIP LOW PROFILE     | T.I.          |                |      | 68        |           |          |              |       |           |
|            | 1        | 3-435668-4              | SWITCH, DIP, 4 POSITION           | AMP           |                |      | 69        |           |          |              |       |           |
|            | 2        | 2-435668-8              | SWITCH, DIP, 8 POSITION           | AMP           |                |      | 70        |           |          |              |       |           |
|            | 1        | SN74S32                 | I.C./QUAD 2-INPUT POS-OR GATES    | T.I.          |                |      | 71        |           |          |              |       |           |
|            | 1        | 700066-196              | PLUG, ADDRESS STRAPPING, 16 PIN   |               |                |      | 72        |           |          |              |       |           |
|            | 1        | SN74123                 | I.C./DUAL RETRIG MONO MULTI W/CLR | T.I.          |                |      | 73        |           |          |              |       |           |
|            | 1        | MX0-40-2-11.52MHZ       | OSCILLATOR, 11.52 MHz             | CIS KNIGHT    |                |      | 74        |           |          |              |       |           |
| B          | 1        | US-2-16-110-G-B         | SOCKET/16 PIN LOW PROFILE         | SCANBE        |                |      | 75        |           |          |              |       |           |
| EEF        |          | SN63 WEAP               | SOLDER                            | 22Q-S-571     |                |      | 76        |           |          |              |       |           |
| AIR        |          | TYPE-S-30AWG            | WIRE/30AWG, SOLID BUS TYPE S      | 00-W-393      |                |      | 77        |           |          |              |       |           |
| E          | 1        | CK05BX 221K             | CAPACITOR/220 pF, ±10%, 200V      | MIL-C-11015   |                |      | 78        |           |          |              |       |           |

The information hereon is the property of PLESSEY PERIPHERAL SYS. Transmittal receipt or possession of the information does not imply license, or imply any rights to use, sell, or manufacture from this information and no reproduction or publication of it in whole or in part, shall be made without written authorization from PLESSEY PERIPHERAL SYS.

SIZE **B** SCALE  
 CODE IDENT NO. 52648  
 DWG NO. PL 701840-100  
 REV 1  
 SHEET 7 of 2



The information herein is the property of PLESSEY MICROSYSTEMS. Transmittal, receipt or possession of the information does not constitute license or imply any rights to use, sell, or manufacture from the information and no reproduction or substitution of it in whole or in part shall be made without written authorization from PLESSEY MICROSYSTEMS.

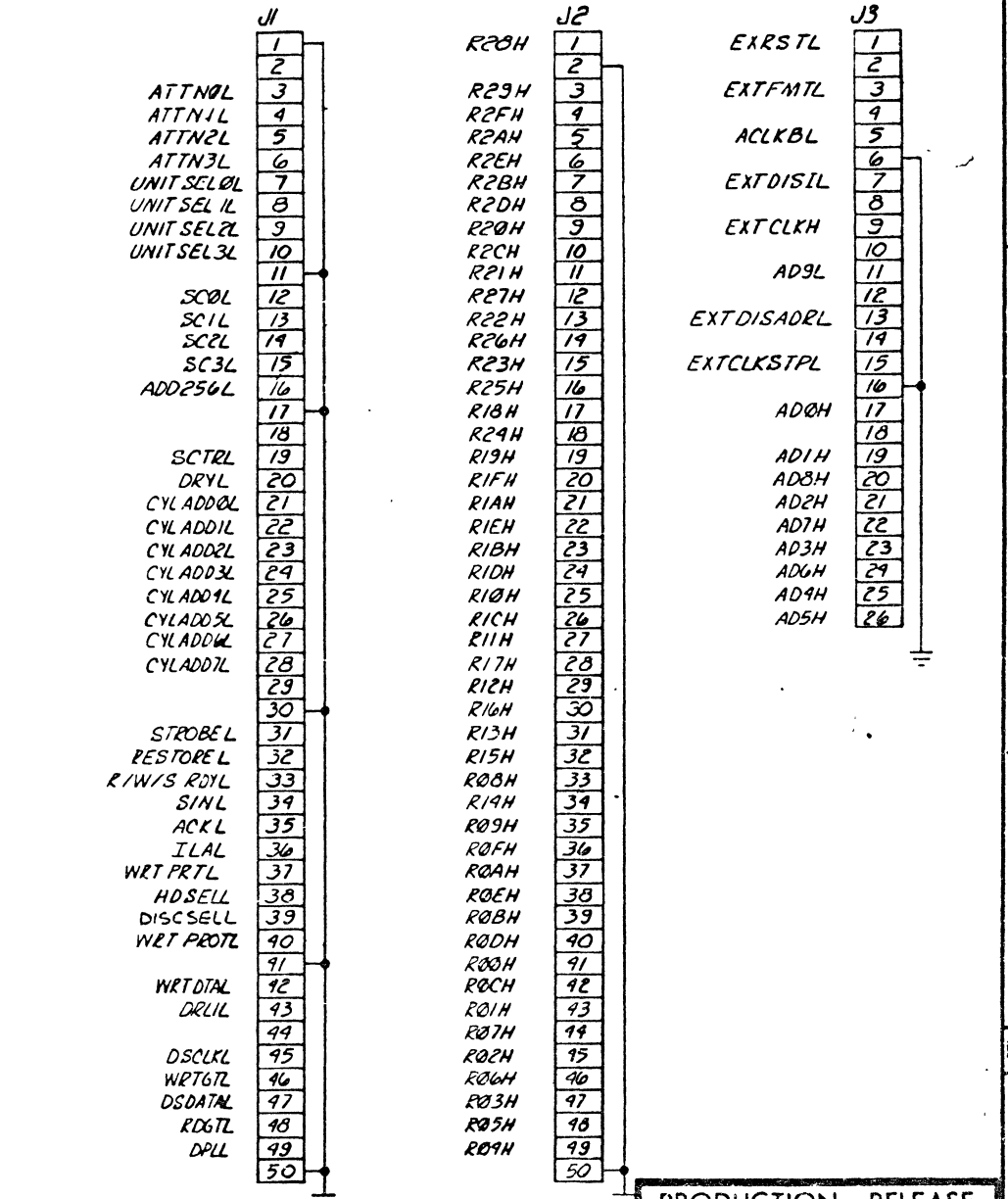
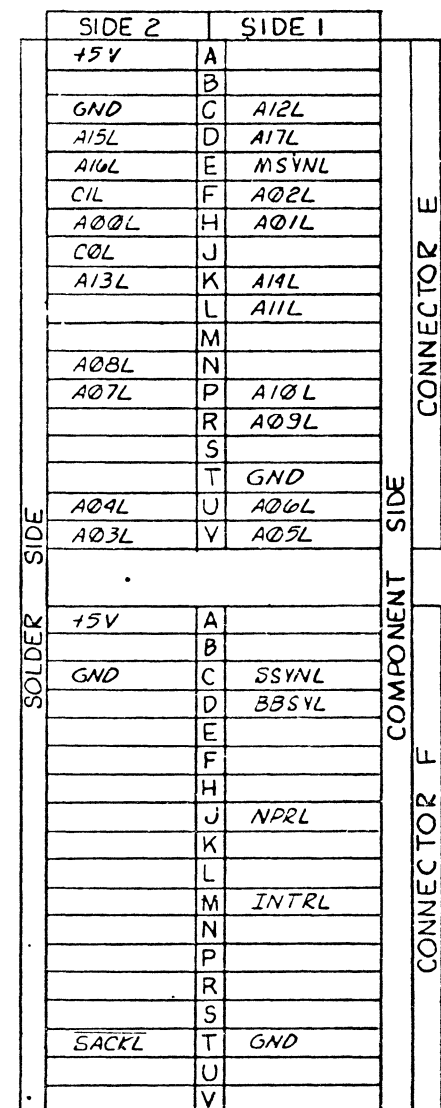
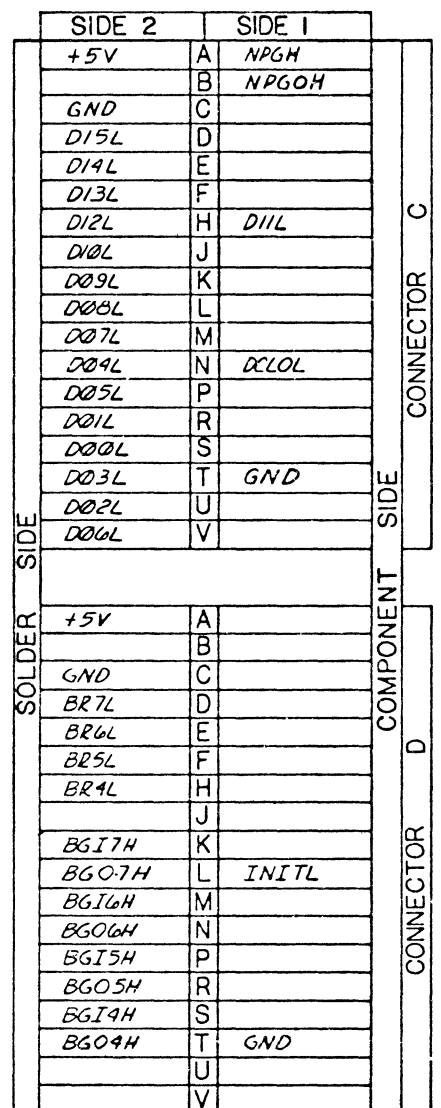
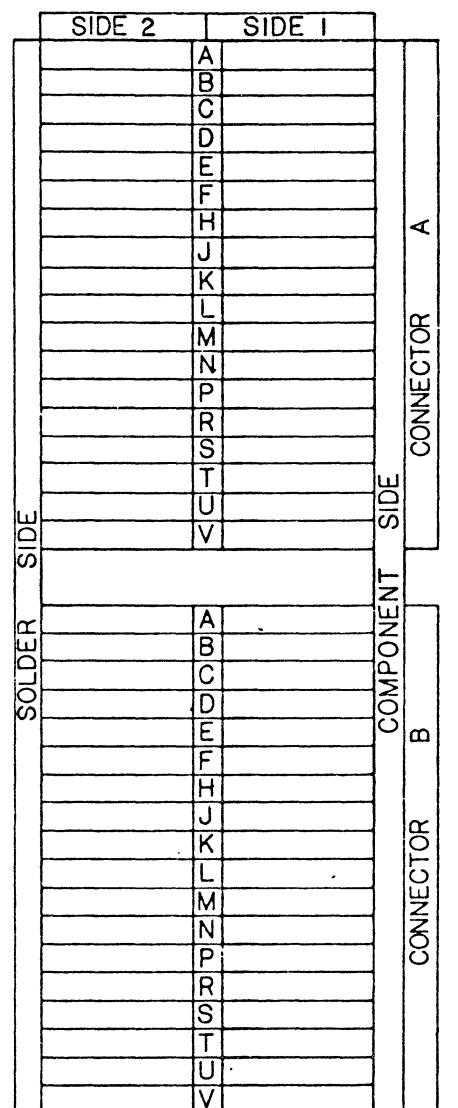
| REVISIONS |     |                         |          |             |
|-----------|-----|-------------------------|----------|-------------|
| ZONE      | LTR | DESCRIPTION             | DATE     | APPROVED    |
| ✓         | A   | REL TO PROD PER EO 2853 | 3-27-79  | [Signature] |
| ✓         | B   | INCORP EO 3190 MC       | 7-20-79  | [Signature] |
| ✓         | C   | INCORP EO 3366          | 11-15-79 | [Signature] |
| ✓         | D   | INCORP EO 3521          | 2-22-80  | [Signature] |

| LAST REFERENCE DESIGNATION USED |      |
|---------------------------------|------|
| CAPACITOR                       | C41  |
| CONNECTOR                       | J3   |
| DIODE                           | CR3  |
| INTEGRATED CIRCUIT              | U105 |
| CRYSTAL                         | Y1   |
| RESISTOR                        | R26  |
| RESISTOR MODULE                 | RU5  |
| STRAPPING PLUG                  | X1   |
| SWITCH                          | SW3  |

| REFERENCE DESIGNATION NOT USED |            |
|--------------------------------|------------|
| INT. CKT.                      | U42, 17-22 |
| CAPACITOR                      | C12        |
| RESISTOR                       | R9, 17     |

| REF DESIG. | GATES USED PER TOTAL | PART NUMBER |
|------------|----------------------|-------------|
| U25        | 3/4                  | 74502       |
| U26        | 5/6                  | 74LS04      |
| U44        | 2/4                  | 74586       |
| U47        | 3/4                  | 74508       |
|            |                      |             |
| U58        | 5/6                  | 74LS04      |
|            |                      |             |
| U73        | 3/4                  | 136021-381  |
| U71        | 5/6                  | 74LS04      |
|            |                      |             |
| U102       | 3/6                  | 74LS04      |
| U104       | 3/4                  | 74LS08      |
| U105       | 1/4                  | 74502       |
| U103       | 1/2                  | 74123       |



6. ALL DIODES ARE FLV110 (FAIRCHILD) 7 SPARES FOR FUTURE USE.

5. CAPACITOR VALUES ARE MICROFARADS.

4. RESISTOR VALUES ARE IN OHMS, ±5%, 1/4 W.

3. DESIGNATIONS SHOWN IN PARENTHESIS INDICATES WHERE SIGNAL ORIGINATES OR TERMINATES.



2. SIGNALS SHOWN IN RECTANGLES ARE I/O CONNECTIONS.



1. FOR ASSEMBLY DRAWING SEE 701840.

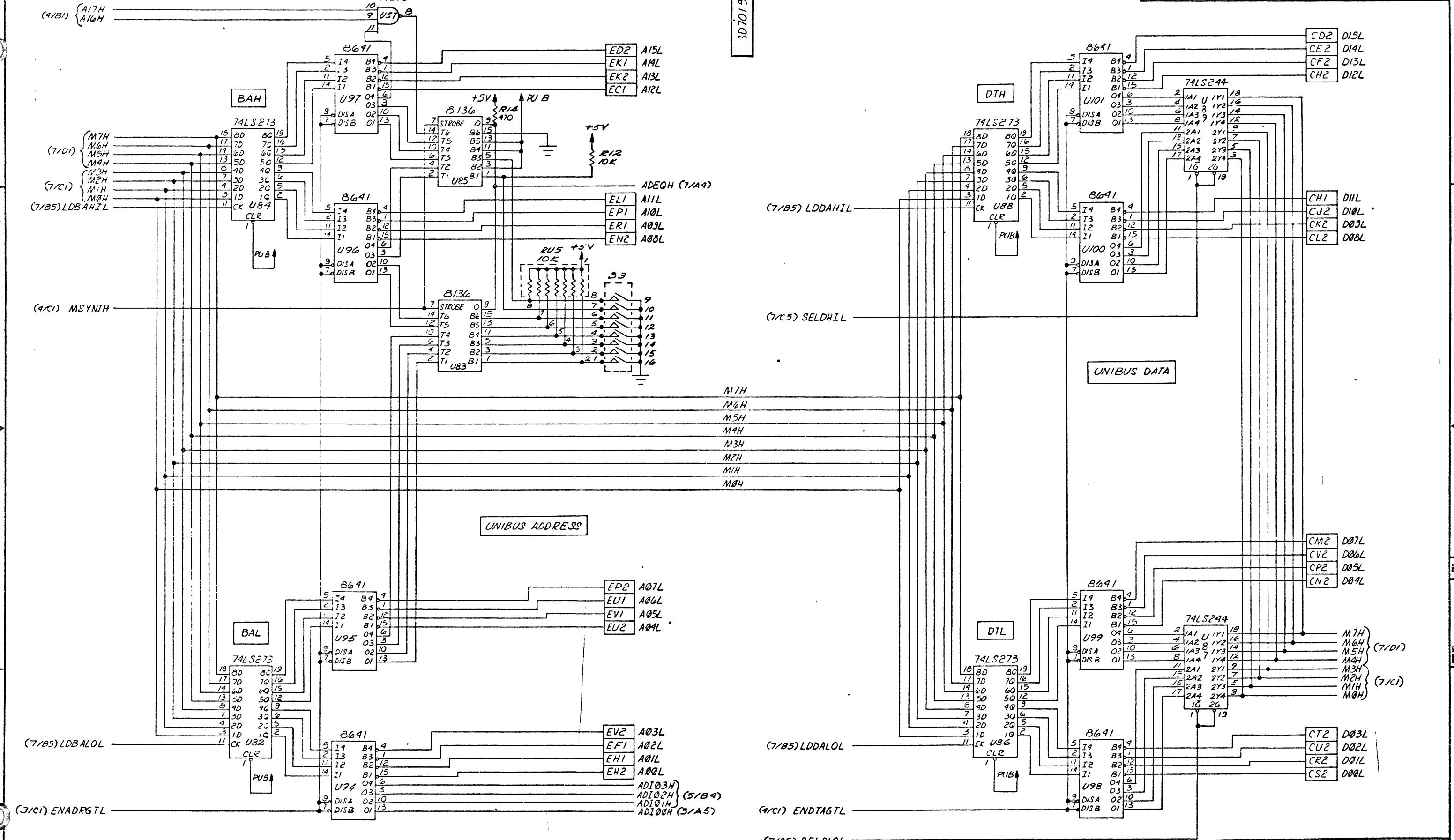
NOTES: UNLESS OTHERWISE SPECIFIED:

PRODUCTION RELEASE

|                              |  |  |  |  |  |  |                |          |
|------------------------------|--|--|--|--|--|--|----------------|----------|
| PART/ASSY NO. & QTY PER ASSY |  | NOTE PART OR IDENTIFYING NO.   |  | NOMENCLATURE OR DESCRIPTION / MATERIAL |  | SPEC/SOURCE  | CODE IDENT NO. | FIND NO. |
| PART/ASSY REV LTR            |  | DO NOT SCALE DRAWING   |  | CONTRACT NO.                           |  | Plessey Microsystems                                     |                |          |
| 701840-100 PM-DC11A          |  | SCREEN THREADS PER HANDBOOK HAS<br>SCREW THREADS AND SPOTFACE FILLET RISE TO BE .388 MAXIMUM |  | DRAWN R.P. HYTTINEN 6-5-78             |  | DWG TITLE<br>SCHEMATIC DIAGRAM<br>CONTROLLER<br>PM-DC11A |                |          |
| NEXT ASSY USED ON            |  | REMOVE ALL BURRS AND BREAK SHARP EDGES EQUIVALENT TO 2BPP                                    |  | CHECK [Signature] 6-15-78              |  | SIZE CODE IDENT NO. DWG NO.<br>D 52648 SD701890          |                |          |
| APPLICATION                  |  | ROUGHNESS OF MACHINED SURFACES TO PER UNAS 5413  |  | ENGR [Signature] 6-22-78               |  | SHEET 1 OF 9   |                |          |
|                              |  | STANDARD HOLE TOLERANCE PER ANSI B36.19-1963   |  | PROD. DESK [Signature] 6-28-79         |  |  |                |          |
|                              |  | TOLERANCES ON .375 & .500 DIA = ±.001 UNLESS OTHERWISE SPECIFIED                             |  | OTHER [Signature] 6-29-79              |  |  |                |          |
|                              |  | DIMENSIONS ARE IN INCHES AND APPLY AFTER HEAT TREAT AND FINISH UNLESS OTHERWISE SPECIFIED    |  | APPROVALS                              |  |  |                |          |

The information herein is the property of PLESSE PERIPHERAL SYS. Transmittal hereof or possession of the information does not constitute any right to use, copy, or manufacture from this information and no reproduction or publication of it in whole or in part shall be made without written authorization from PLESSE PERIPHERAL SYS.

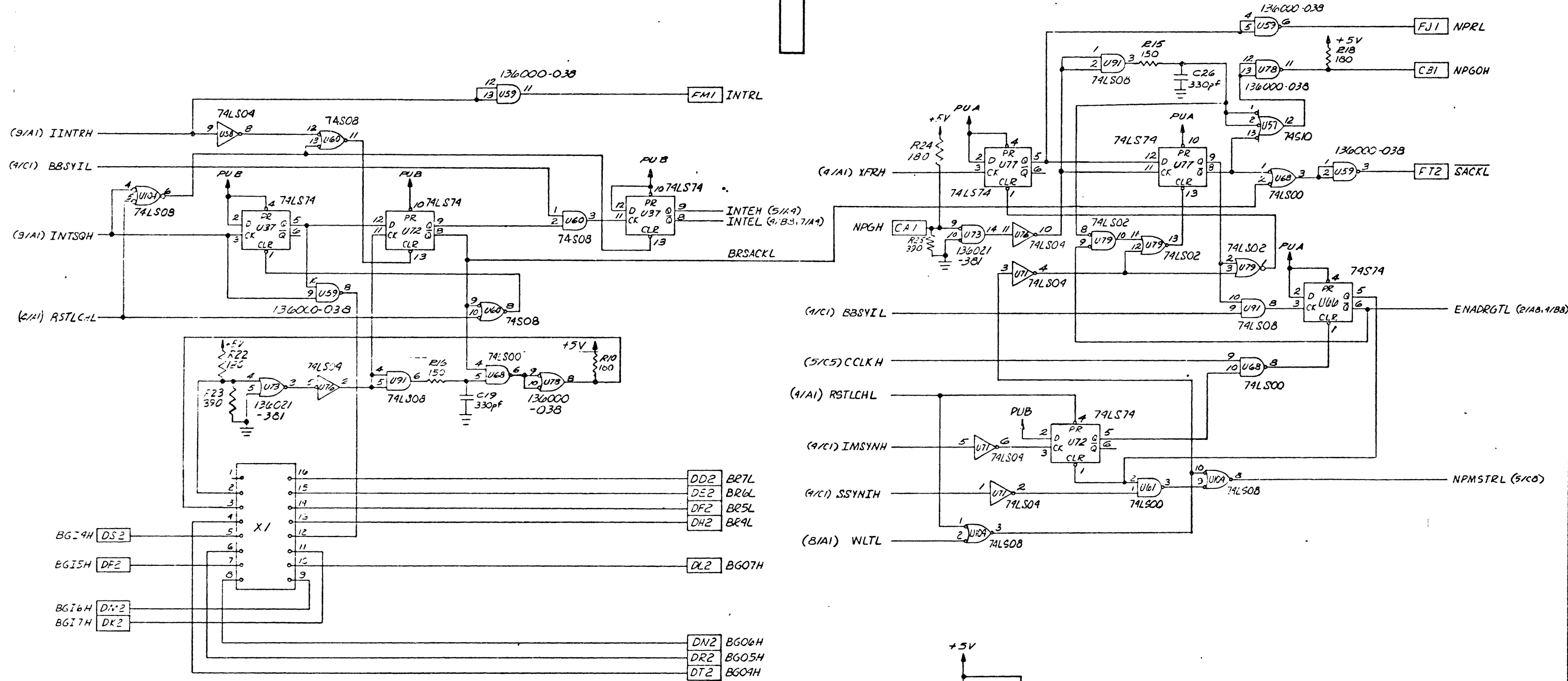
| REVISIONS |     |             |      |          |
|-----------|-----|-------------|------|----------|
| ZONE      | LTR | DESCRIPTION | DATE | APPROVED |
|           |     | SEE SHEET 1 |      |          |



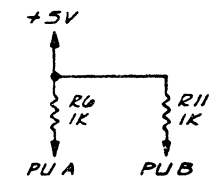
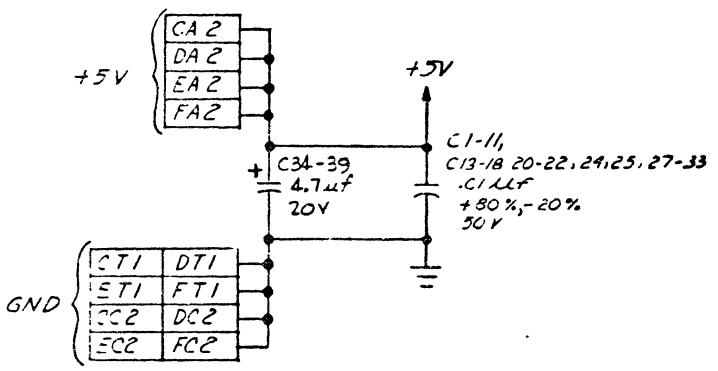
|          |                |              |
|----------|----------------|--------------|
| SIZE     | CODE IDENT NO. | DWG NO.      |
| D        | 52648          | SD701890     |
| SCALE: ~ | D              | SHEET 2 OF 9 |
|          |                | DISTR NO.    |

The information herein is the property of BILSON PERIPHERAL SYS  
 Transmittal hereof or dissemination of the information does not imply  
 license or any other right to use, sell, or manufacture from this infor-  
 mation and no reproduction of this information or any part shall  
 be made without written authorization from BILSON PERIPHERAL SYS

| REVISIONS   |     |             |      |          |
|-------------|-----|-------------|------|----------|
| ZONE        | LTR | DESCRIPTION | DATE | APPROVED |
| SEE SHEET 1 |     |             |      |          |



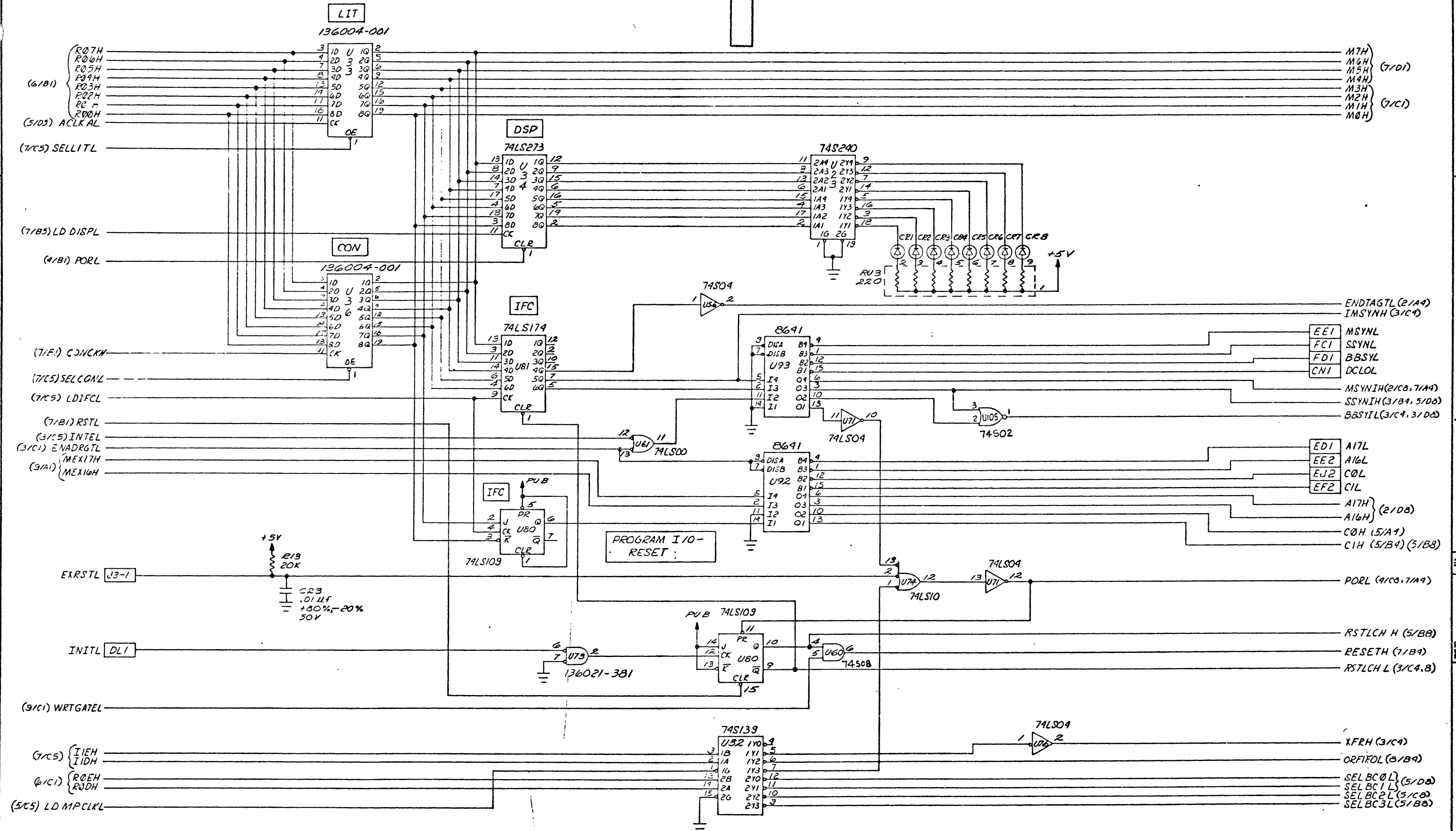
**INTERRUPT**



|       |                |              |
|-------|----------------|--------------|
| SIZE  | CODE IDENT NO. | DWG NO.      |
| D     | 52648          | SD701890     |
| SCALE | ~              | D            |
|       |                | SHEET 3 OF 9 |
|       |                | DISTR NO.    |

| REVISIONS |     |             |      |          |
|-----------|-----|-------------|------|----------|
| ZONE      | LTR | DESCRIPTION | DATE | APPROVED |
|           |     | SEE SHEET 1 |      |          |

The information herein is the property of PLESSE PERIPHERALS, S15. Transmittal hereof or possession of the information does not constitute license or any other rights to use, sell or manufacture from this information and no reproduction or publication of it, in whole or in part, shall be made without written authorization from PLESSE PERIPHERALS, S15.



|       |                |              |
|-------|----------------|--------------|
| SIZE  | CODE IDENT NO. | DWG NO.      |
| D     | 52648          | SD 701840    |
| SCALE | ~              | D            |
|       |                | SHEET 4 OF 9 |
|       |                | DISTR NO.    |

D

C

B

D

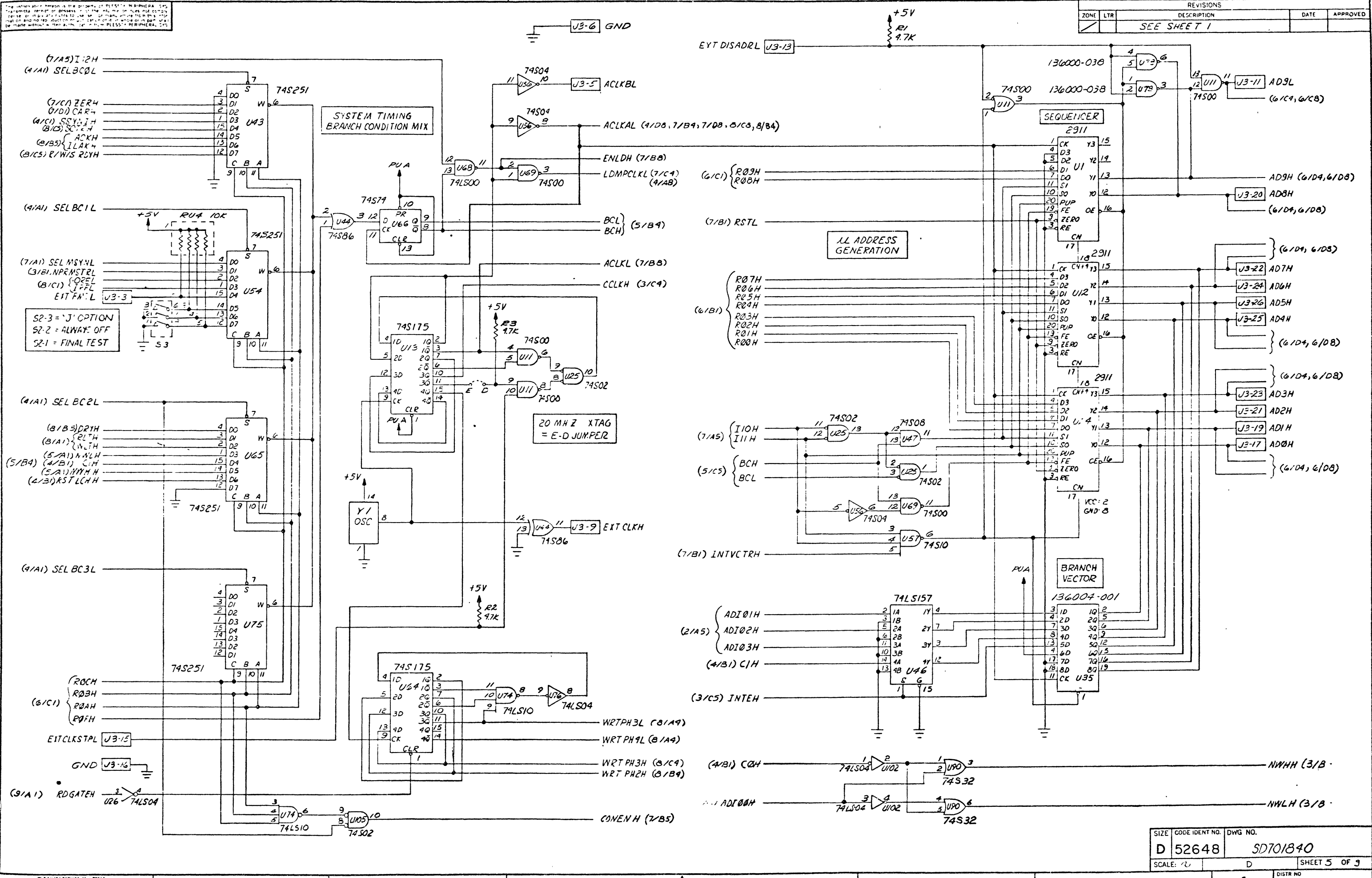
A

SD 701840



|             |     |             |          |
|-------------|-----|-------------|----------|
| REVISONS    |     | DATE        | APPROVED |
| ZONE        | LTR | DESCRIPTION |          |
| SEE SHEET 1 |     |             |          |

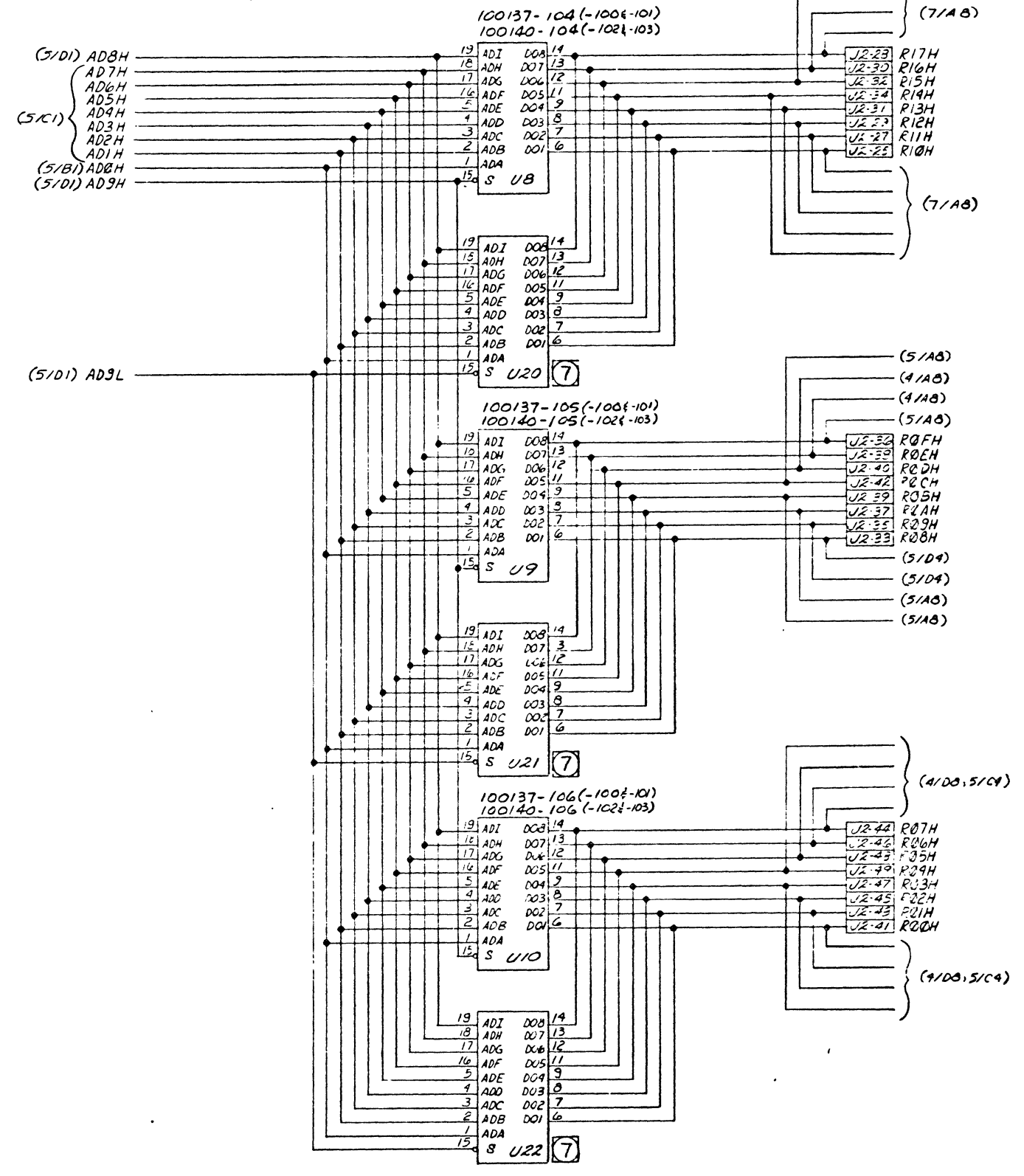
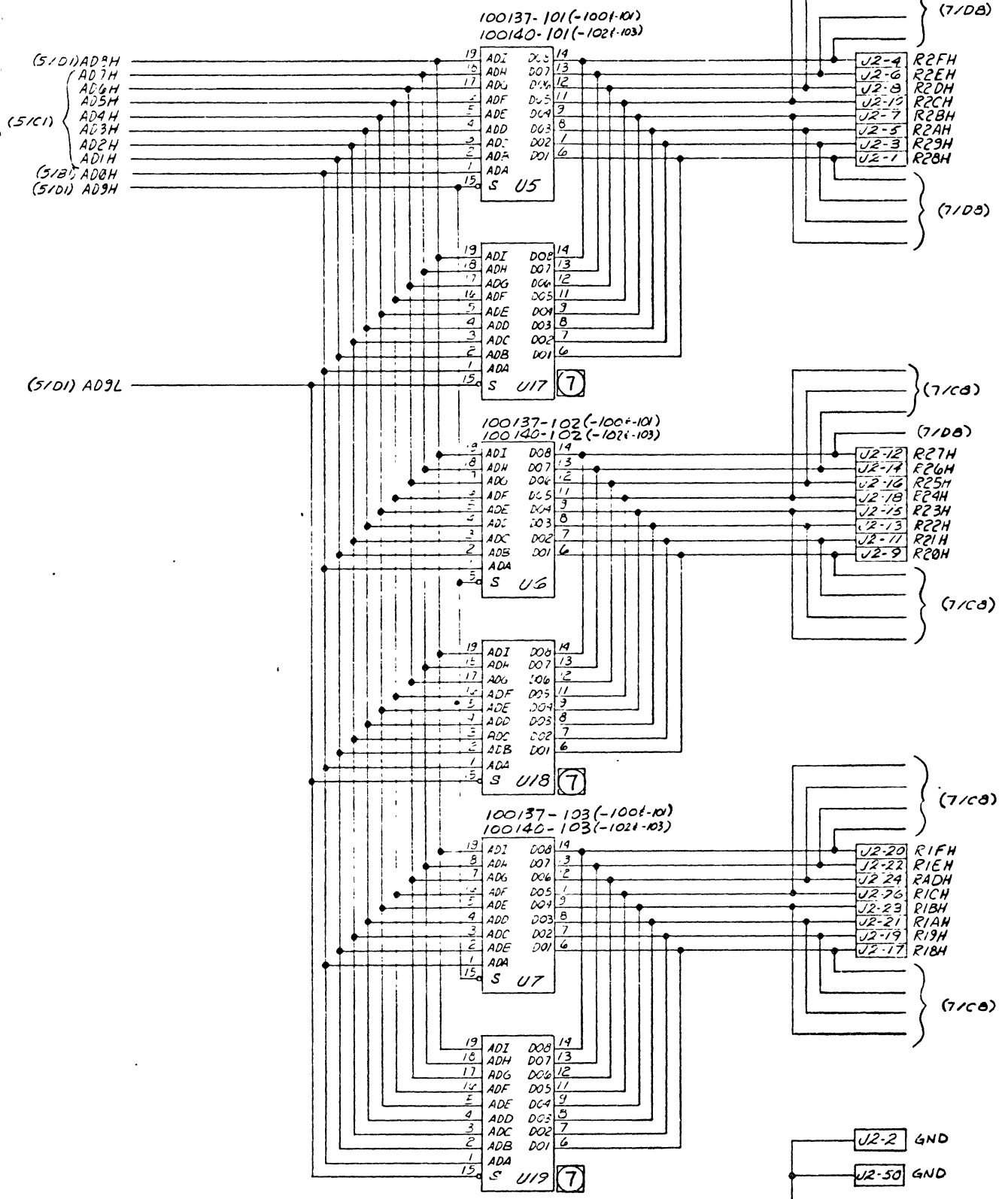
The information herein is the property of PLESSE, INC. It is to be used only for the purpose for which it was prepared and no reproduction or transmission in any form is permitted without the written permission of PLESSE PERIPHERALS, INC.



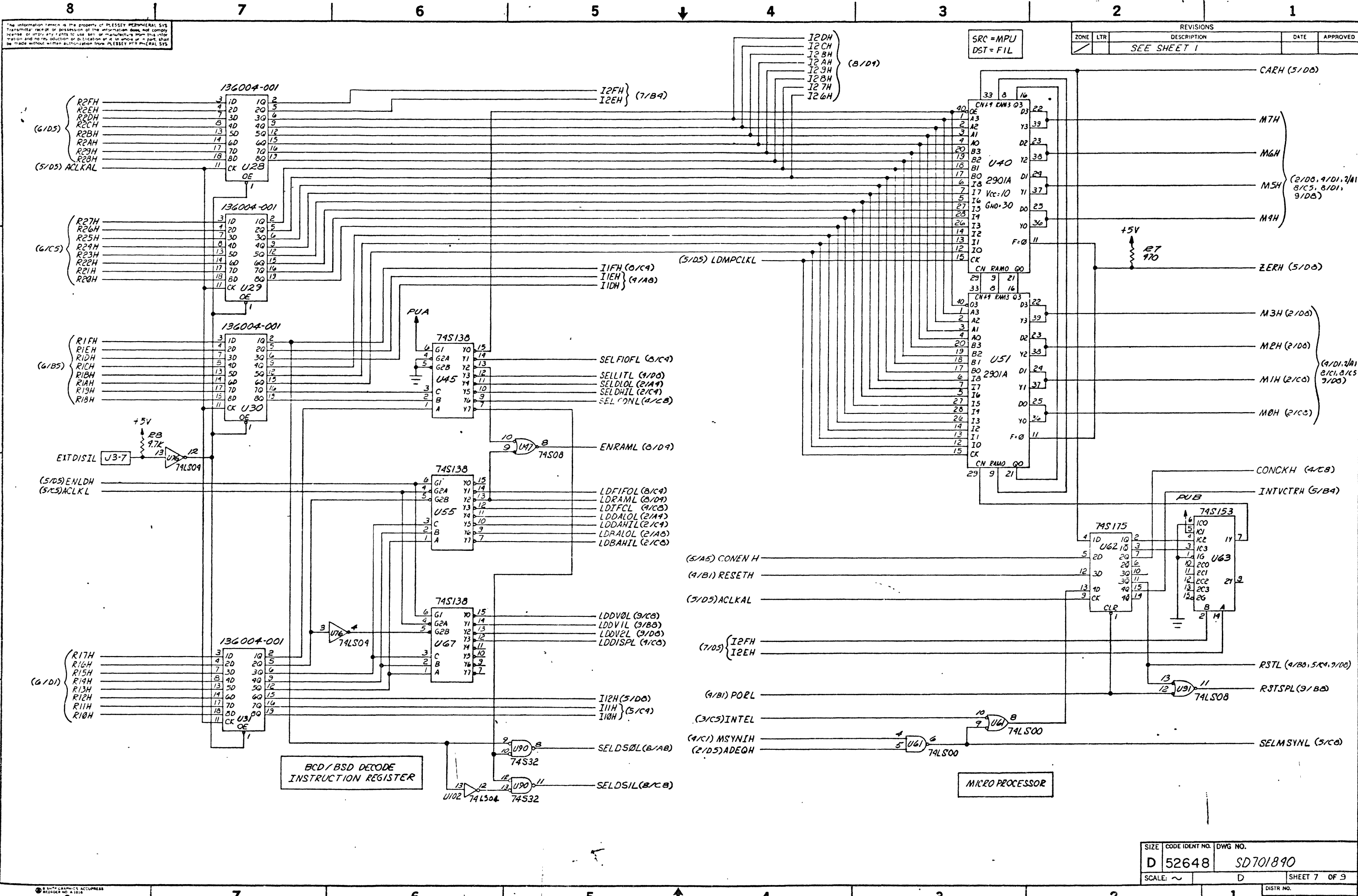
|            |                |              |
|------------|----------------|--------------|
| SIZE       | CODE IDENT NO. | DWG NO.      |
| D          | 52648          | SD701840     |
| SCALE: 1/2 | D              | SHEET 5 OF 9 |
|            |                | DISTR NO.    |

The information herein is the property of PERIPHERAL SYS  
 Transmittal, receipt or possession of the information does not constitute  
 license or imply any right to use any part hereof from this information  
 without the express written authorization of PERIPHERAL SYS

| REVISIONS |     |             |      |          |
|-----------|-----|-------------|------|----------|
| ZONE      | LTR | DESCRIPTION | DATE | APPROVED |
|           |     | SEE SHEET 1 |      |          |



|          |                |              |
|----------|----------------|--------------|
| SIZE     | CODE IDENT NO. | DWG NO.      |
| D        | 52648          | SD701840     |
| SCALE: ~ | D              | SHEET 6 OF 9 |
| DISTR NO |                |              |

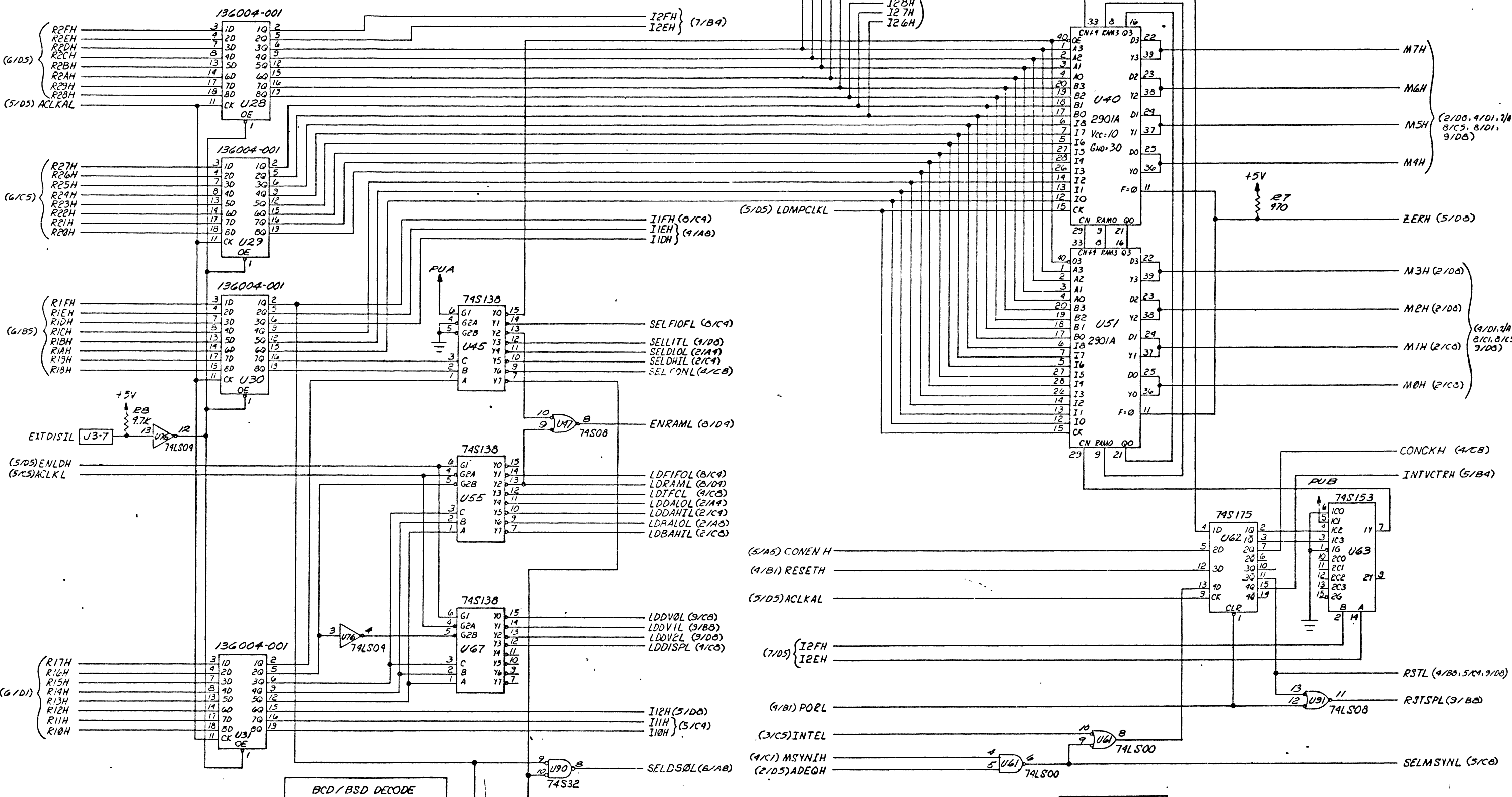


The information herein is the property of PLESSEY PERIPHERAL SYS. Transmittal, receipt or possession of the information does not convey license or proprietary rights to use, sell or manufacture from this information and no reduction or duplication of it in whole or in part shall be made without written authorization from PLESSEY PERIPHERAL SYS.

SRC = MPU  
DST = FIL

| REVISIONS |     |             |      |          |
|-----------|-----|-------------|------|----------|
| ZONE      | LTR | DESCRIPTION | DATE | APPROVED |
| /         |     | SEE SHEET 1 |      |          |

| SIZE     | CODE IDENT NO. | DWG NO.      |
|----------|----------------|--------------|
| D        | 52648          | SD701890     |
| SCALE: ~ | D              | SHEET 7 OF 9 |
|          |                | DISTR. NO.   |



BCD/BSL DECODE  
INSTRUCTION REGISTER

MICRO PROCESSOR

D

C

B

D

SD701890

A

8

7

6

5

4

3

2

1

8

7

6

5

4

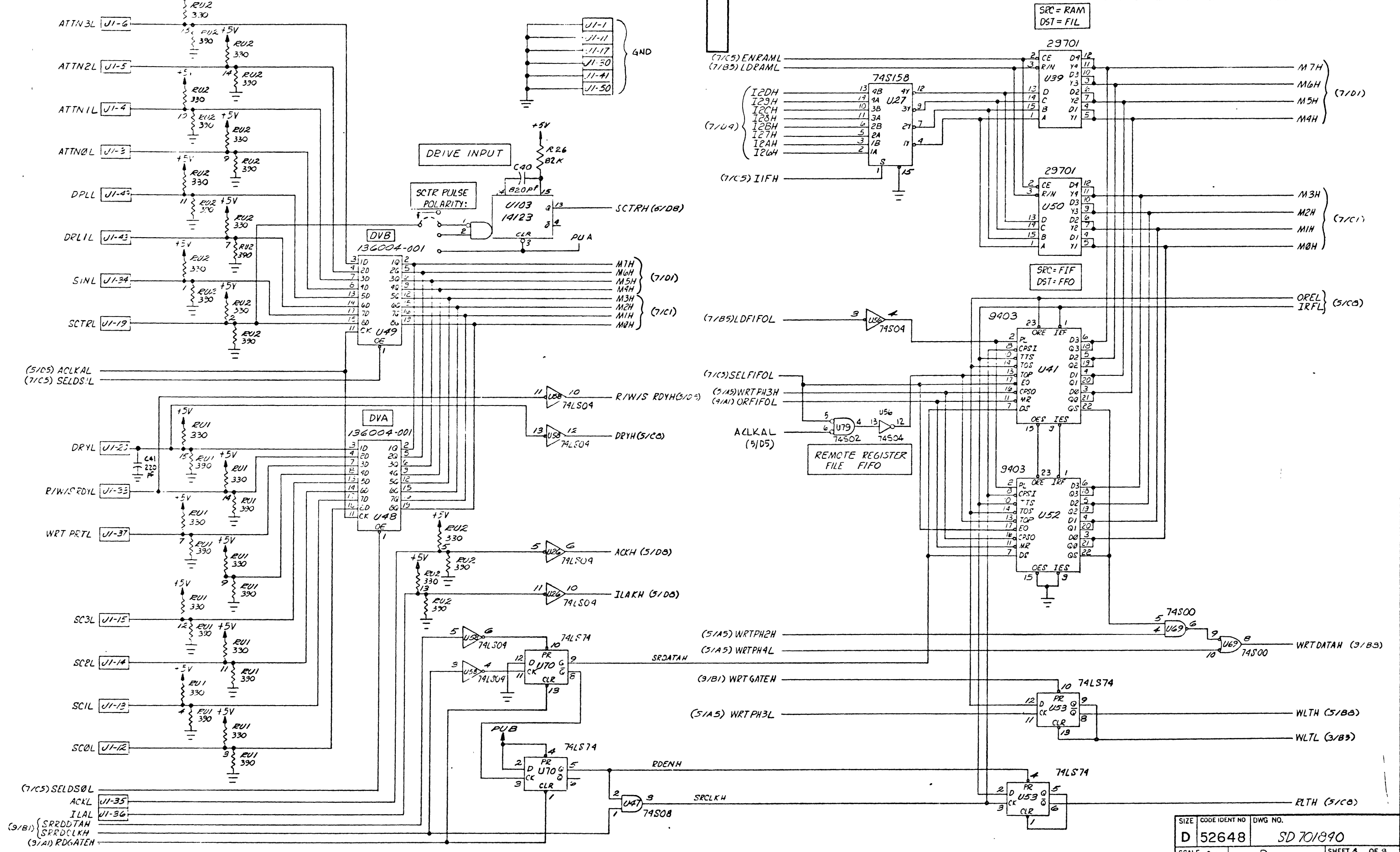
3

2

1

| ZONE |  | LTR |  | REVISIONS   |  | DATE | APPROVED |
|------|--|-----|--|-------------|--|------|----------|
|      |  |     |  | SEE SHEET 1 |  |      |          |

THE INFORMATION HEREIN IS THE PROPERTY OF BUSHNELL PERIPHERAL SYSTEMS, INC. IT IS TO BE USED ONLY FOR THE PURPOSES FOR WHICH IT WAS DEVELOPED AND IS NOT TO BE REPRODUCED OR TRANSMITTED IN ANY FORM OR BY ANY MEANS, ELECTRONIC OR MECHANICAL, INCLUDING PHOTOCOPYING, RECORDING, OR BY ANY INFORMATION STORAGE AND RETRIEVAL SYSTEM.

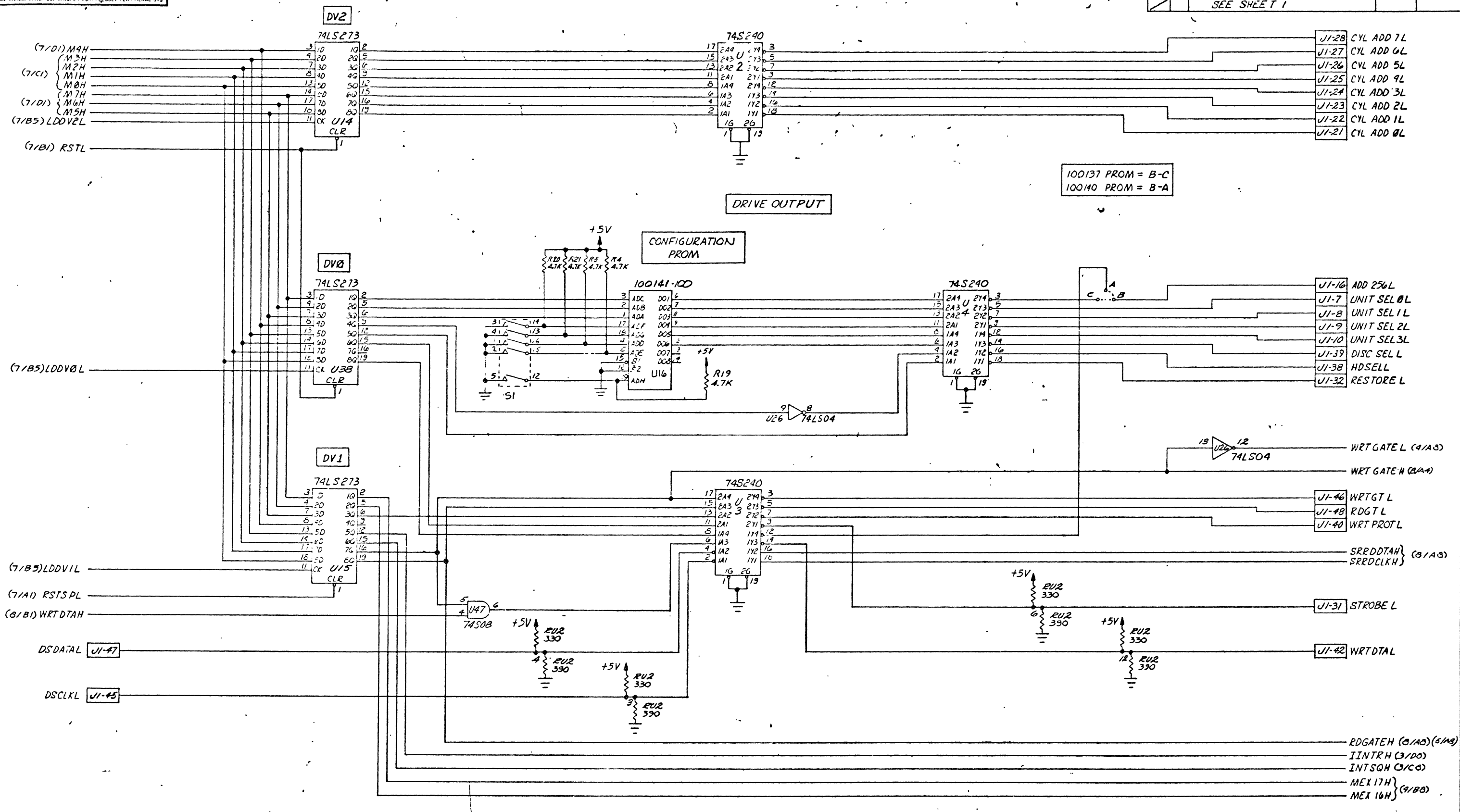


|          |               |              |
|----------|---------------|--------------|
| SIZE     | CODE IDENT NO | DWG NO.      |
| D        | 52648         | SD 701890    |
| SCALE: ~ | D             | SHEET 6 OF 9 |
|          |               | DISTR NO     |

© 1978 BUSHNELL PERIPHERAL SYSTEMS, INC. ALL RIGHTS RESERVED.

The information herein is the property of PLESSEY PERIPHERAL SYS  
 Transmittal receipt or possession of the information does not imply  
 license or in any rights to use, sell or manufacture from this infor-  
 mation and no reproduction or publication of it in any form shall  
 be made without written authorization from PLESSEY PERIPHERAL SYS

| REVISIONS |     |             |      |          |
|-----------|-----|-------------|------|----------|
| ZONE      | LTR | DESCRIPTION | DATE | APPROVED |
|           |     | SEE SHEET 1 |      |          |



|          |                |              |
|----------|----------------|--------------|
| SIZE     | CODE IDENT NO. | DWG NO.      |
| D        | 52648          | SD701890     |
| SCALE: ~ | D              | SHEET 9 OF 9 |
| DISTR NO |                |              |