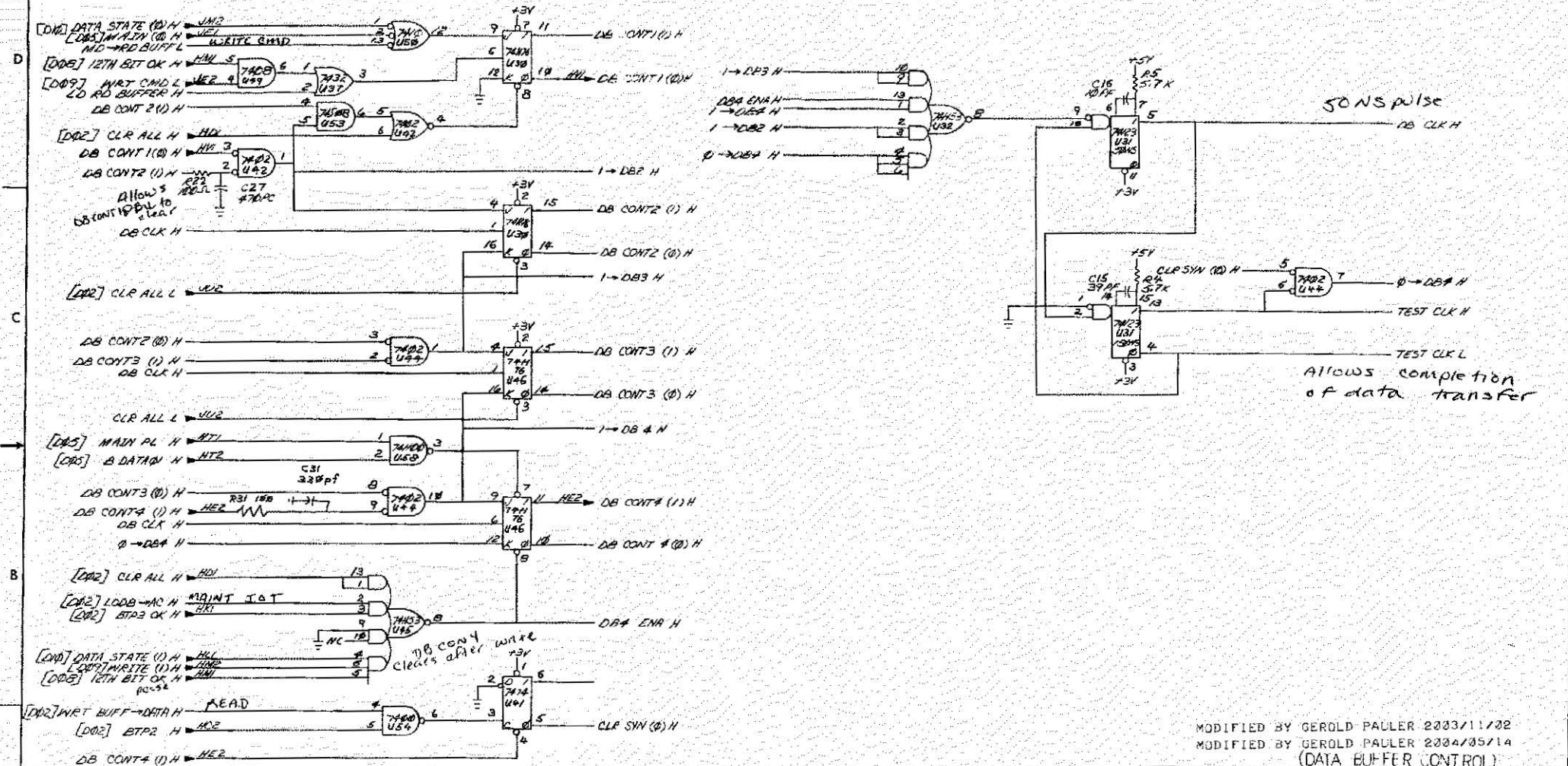


The drawing and specifications herein are the property of Digital Equipment Corporation and are not to be reproduced or copied in any form or by any means without the express written permission of Digital Equipment Corporation.



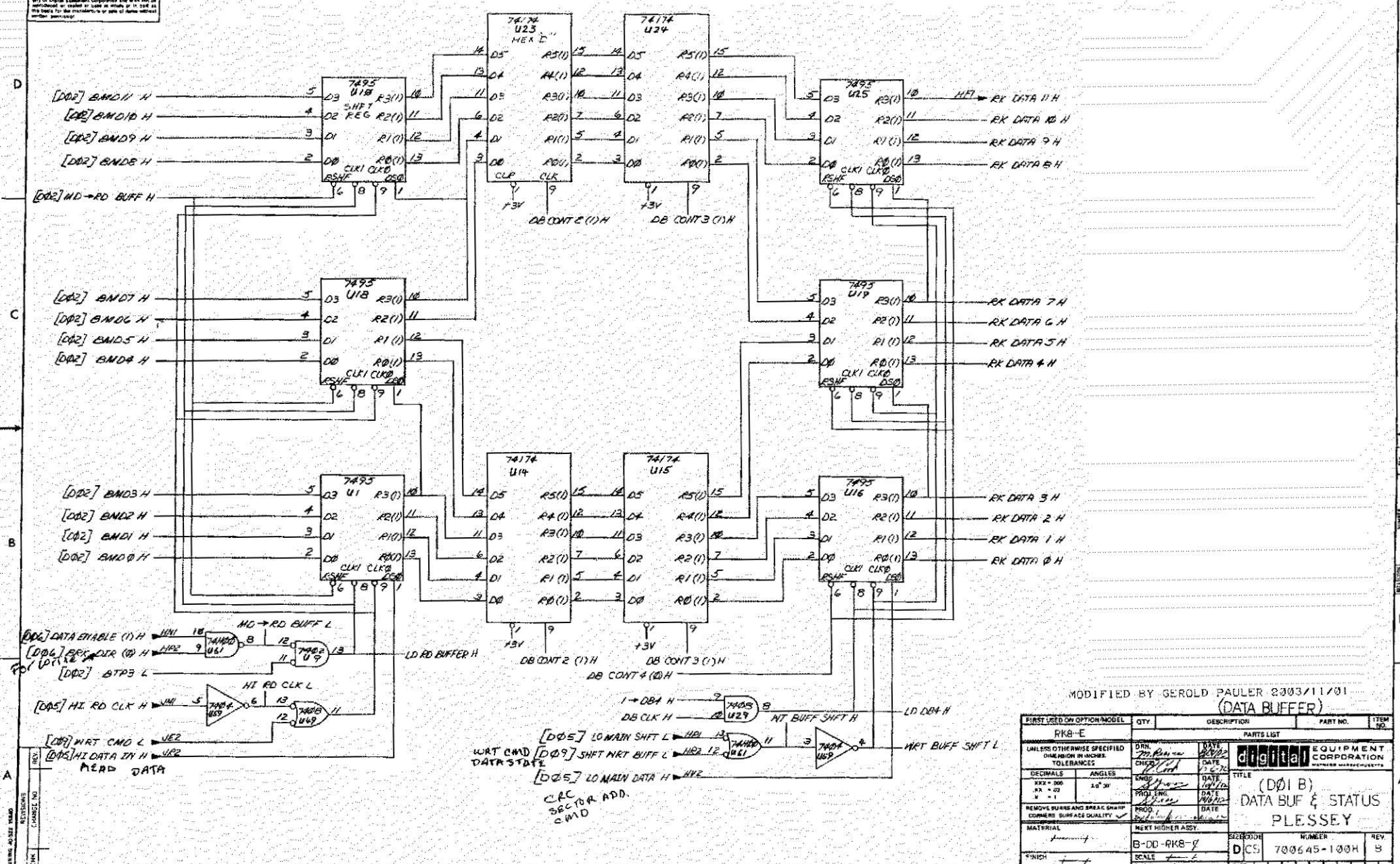
MODIFIED BY GEROLD PAULLER 2003/11/22
 MODIFIED BY GEROLD PAULLER 2004/05/14
 (DATA BUFFER CONTROL)

FIRST USED ON OPTION/MODEL	QTY.	DESCRIPTION	PART NO.	ITEM NO.
RKB-E				
UNLESS OTHERWISE SPECIFIED DIMENSIONS IN INCHES TOLERANCES				
DECIMALS	ANGLES	DATE 10-1-20		
.XXX ± .000	± 0° 30'	TITLE (D01A) DATA BUFFER STATUS PLESSEY		
REMOVE BURRS AND BREAK SHARP EDGES SURFACE QUALITY				
NEXT HIGHER ASSY				
MATERIAL	E-01-RKB-E			
FINISH	SCALE	SIZE/DRAWING NUMBER	700645-100H	REV B
		SHEET	DISC	

REV. 1
 8 7 6 5 4 3 2 1

REV. 1
 8 7 6 5 4 3 2 1

This drawing and specifications herein are the property of Digital Equipment Corporation and are not to be reproduced or copied in whole or in part in any form for the manufacture or sale of items without written permission.

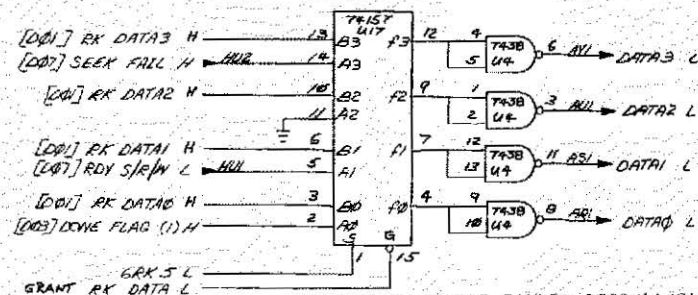
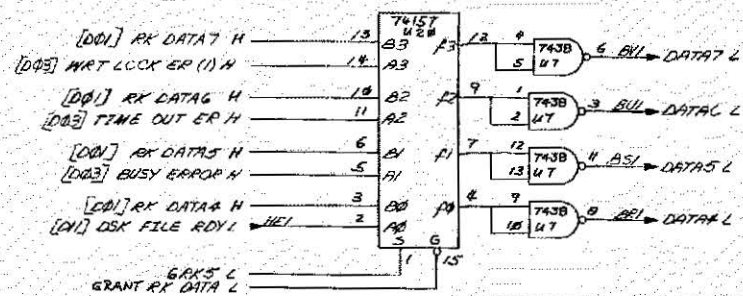
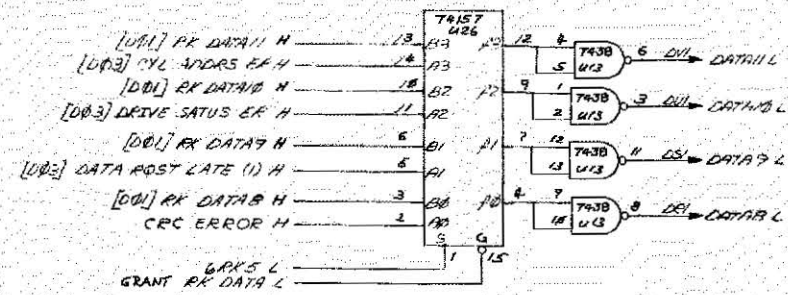
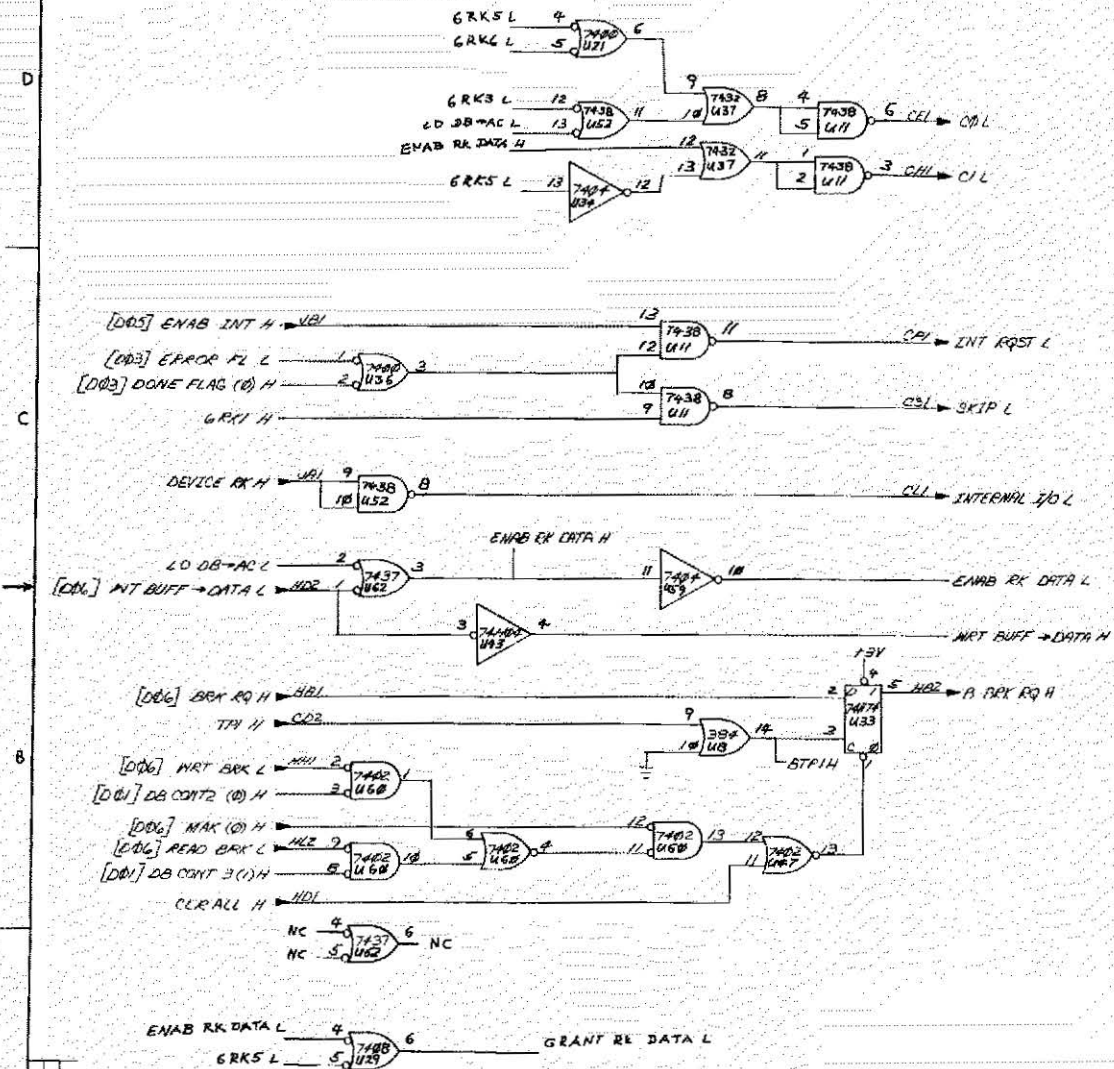


MODIFIED BY GEROLD PAULER 2/03/11/01
 (DATA BUFFER)

FIRST USED ON OPTION/MODEL	QTY	DESCRIPTION	PARTS LIST	PART NO.	ITEM NO.
RK8-E					
UNLESS OTHERWISE SPECIFIED DIMENSION IN INCHES TOLERANCES					
DECIMALS	ANGLES	DRN	DATE	digital EQUIPMENT CORPORATION TITLE (D01 B) DATA BUF & STATUS PLESSEY	
FRAC 1/32	1/8 3/16	CHKD BY	DATE		
RA +.02	1/8 3/16	PROJ ENG	DATE		
REMOVE BURRS AND BREAK SHARP CORNERS SURFACE QUALITY		PROD	DATE		
MATERIAL	NEXT HIGHER ASSY.	SHEET NO		NUMBER	REV
B-DD-RK8-2		DCS		700645-100H	8
SCALE		SHEET		DIET	

REV. 1
 2
 3
 4
 5
 6
 7
 8

This drawing and specifications shall, by the priority of Digital Equipment Corporation, be used in the manufacture of digital or analog or in part or in whole for the manufacture or use of items subject to this patent.

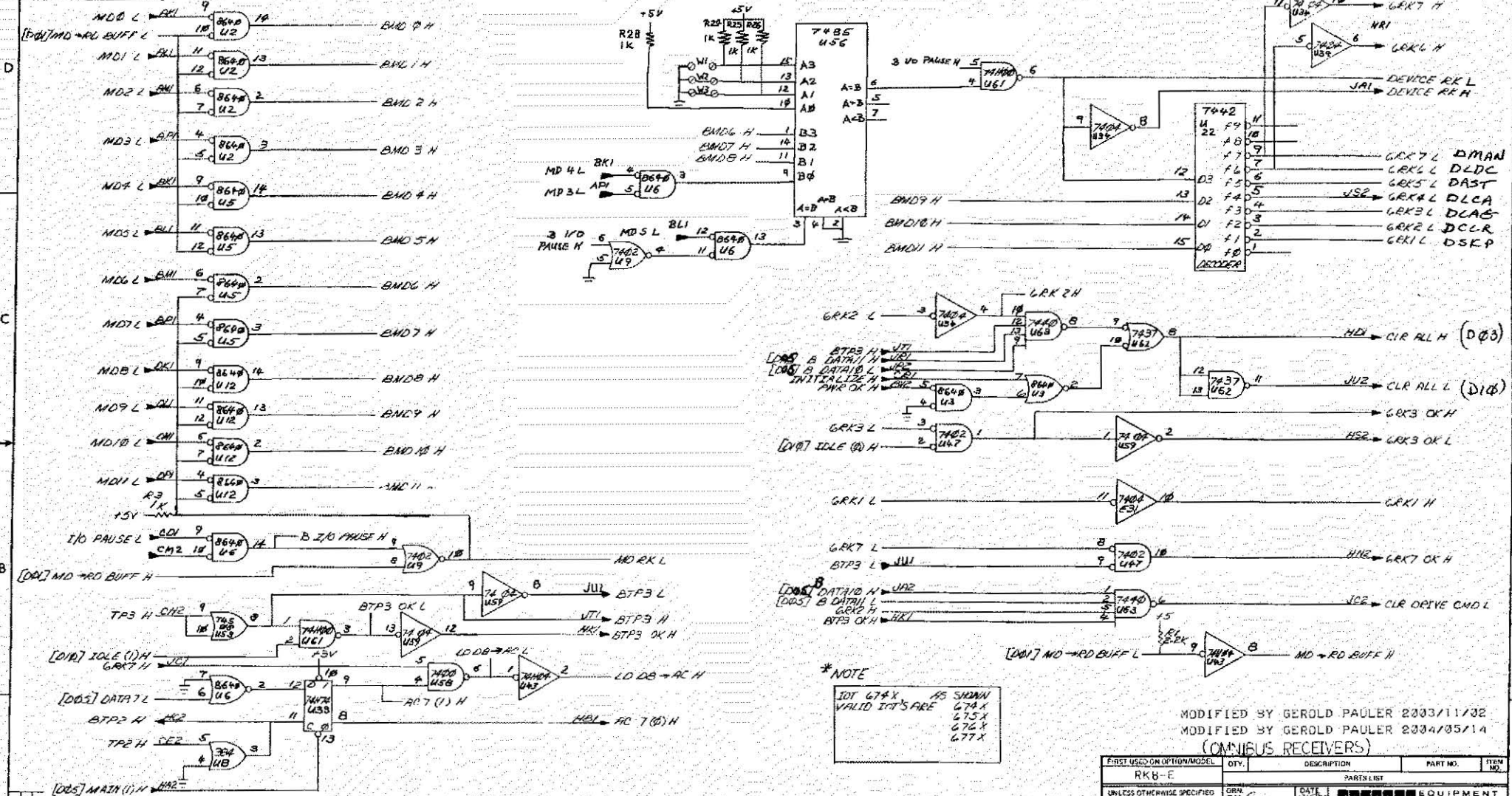


MODIFIED BY GEROLD PAULER 2003/11/01
 MODIFIED BY GEROLD PAULER 2004/05/14
 (OMNIEBUS DRIVERS)

REV
 CHANGE NO
 DATE

FIRST USED ON OPTION/MODEL	QTY	DESCRIPTION	PART NO.	ITEM NO.
PKB-E				
PARTS LIST				
UNLESS OTHERWISE SPECIFIED DIMENSION IN INCHES TOLERANCES		DATE	digital EQUIPMENT CORPORATION	
DECIMALS	ANGLES	DATE	TITLE (D02A)	
XXX + .006		DATE	DATA BLUF & STATUS	
XX - .01	10° 30'	DATE	PLESSEY	
X - .1		DATE		
REMOVE BURRS AND BREAK SHARP CORNERS SURFACE QUALITY		DATE		
NATURAL	NEXT HIGHER ASSEMBLY	DATE		
FINISH	B-DD-RK-0	DATE		
SCALE	DICS	DATE		
SHEET	5 OF 5	DATE		
		DATE		

This drawing and specifications remain the property of Digital Equipment Corporation and shall not be reproduced or copied in any form without the written consent of Digital Equipment Corporation. The name of the manufacturer or seller of parts shall not be included on this drawing.



*NOTE
 IOT 674 X AS SHOWN
 VALID IOT'S ARE
 674 X
 675 X
 676 X
 677 X

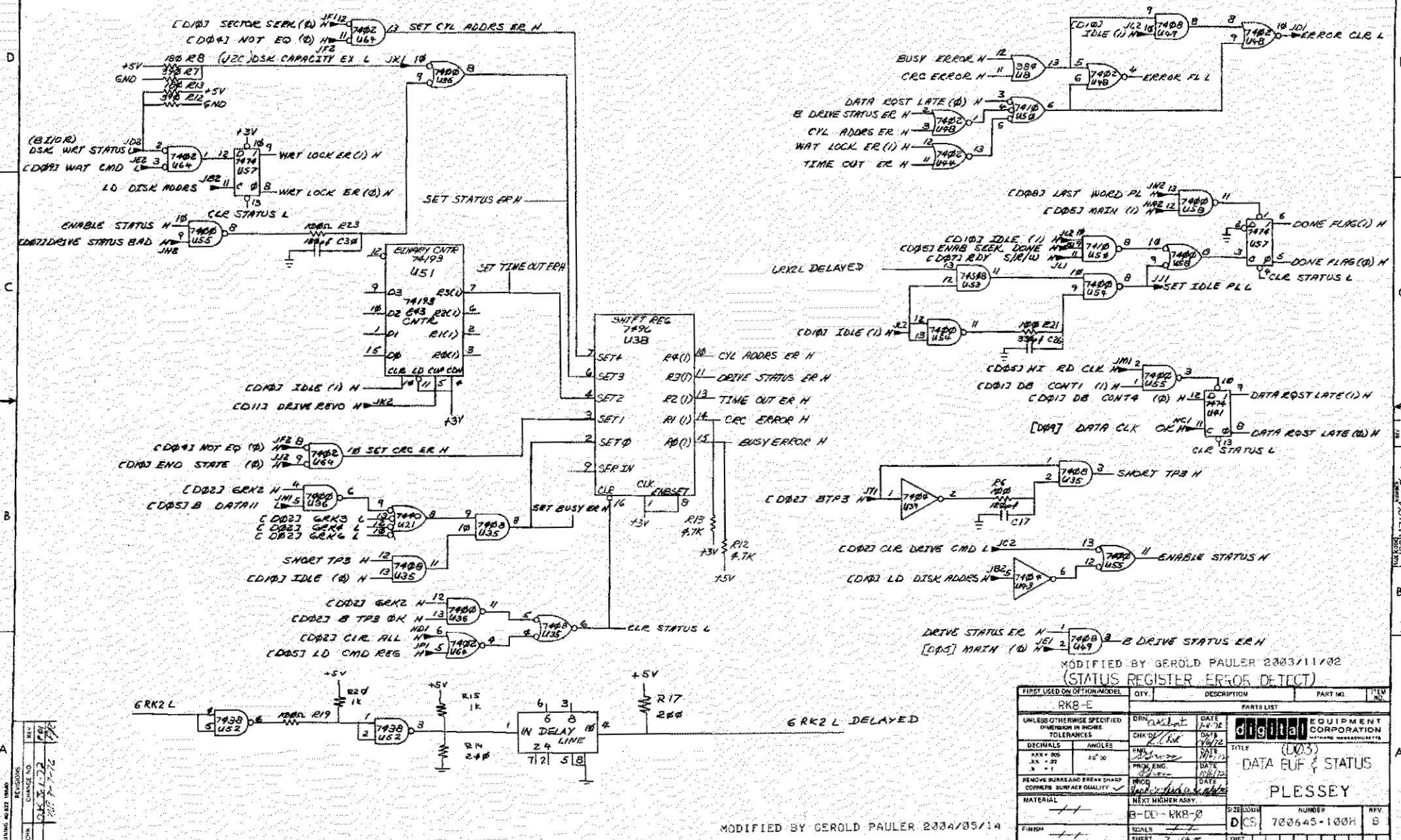
MODIFIED BY GEROLD PAULER 2003/11/30
 MODIFIED BY GEROLD PAULER 2004/05/14
 (OMNIBUS RECEIVERS)

FIRST USED ON OPTION/MODEL	QTY.	DESCRIPTION	PART NO.	ITEM NO.
RK8-E				
PARTS LIST				
DRAWN	DATE	DIGITAL EQUIPMENT CORPORATION		
CHKD	DATE	PARTS SECTION		
DECIMALS	FRACTIONS	TITLE (D02 B) DATA BUF & STATUS		
ENG	DATE	PLESSEY		
PRD	DATE	NEXT HIGHER ASSY		
PROD	DATE	MATERIAL		
FINISH	DATE	B-D-D-RK8-1		
	SCALE	SIZE CODE	NUMBER	REV.
	SHEET	DCS	700645-100H	B

RESISTOR CHANGE NO.
 DDC FORM NO.
 D02 (2-78)

DCS M7 04-8-1

This drawing and specifications herein are the property of Digital Equipment Corporation and shall not be reproduced or copied or used in whole or in part in any manner without the written permission of Digital Equipment Corporation.



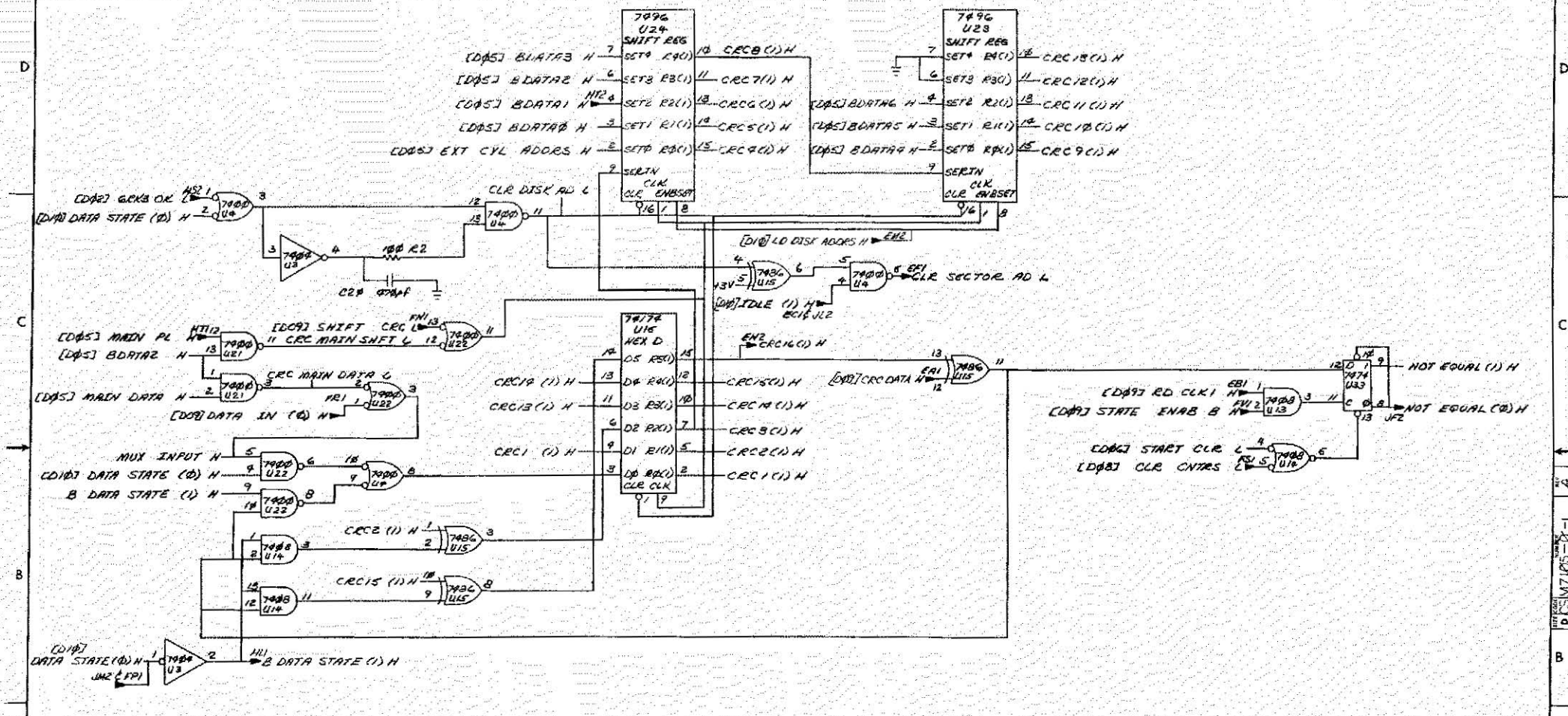
MODIFIED BY GEROLD PAULER 2003/11/02
 (STATUS REGISTER ERROR DETECT)

FIRST USED ON OPTION MODEL	QTY.	DESCRIPTION	PART NO.	ITEM NO.
AKB-E				
PARTS LIST				
UNLESS OTHERWISE SPECIFIED CHECK FOR INCHES TOLERANCES				
DECIMALS	ANGLES	TITLE (LX03) DATA EUF & STATUS		
XXX + 005	XX + 22	PLESSEY		
REMOVE BURRS AND BREAK SHARP CORNERS SURFACE QUALITY				
MATERIAL	NEXT NUMBER ASSY			
FINISH	SIZE	NUMBER	REV.	
	SCALE	DWG	700645-100H	B
	SHEET	DIST.		

MODIFIED BY GEROLD PAULER 2004/05/14

REVISIONS
 CHG NO. DATE BY
 1 10/12/03 JPL
 2 11/02/03 JPL
 3 11/02/03 JPL
 4 11/02/03 JPL
 5 11/02/03 JPL
 6 11/02/03 JPL
 7 11/02/03 JPL
 8 11/02/03 JPL
 9 11/02/03 JPL
 10 11/02/03 JPL
 11 11/02/03 JPL
 12 11/02/03 JPL
 13 11/02/03 JPL
 14 11/02/03 JPL
 15 11/02/03 JPL
 16 11/02/03 JPL
 17 11/02/03 JPL
 18 11/02/03 JPL
 19 11/02/03 JPL
 20 11/02/03 JPL
 21 11/02/03 JPL
 22 11/02/03 JPL
 23 11/02/03 JPL
 24 11/02/03 JPL
 25 11/02/03 JPL
 26 11/02/03 JPL
 27 11/02/03 JPL
 28 11/02/03 JPL
 29 11/02/03 JPL
 30 11/02/03 JPL
 31 11/02/03 JPL
 32 11/02/03 JPL
 33 11/02/03 JPL
 34 11/02/03 JPL
 35 11/02/03 JPL
 36 11/02/03 JPL
 37 11/02/03 JPL
 38 11/02/03 JPL
 39 11/02/03 JPL
 40 11/02/03 JPL
 41 11/02/03 JPL
 42 11/02/03 JPL
 43 11/02/03 JPL
 44 11/02/03 JPL
 45 11/02/03 JPL
 46 11/02/03 JPL
 47 11/02/03 JPL
 48 11/02/03 JPL
 49 11/02/03 JPL
 50 11/02/03 JPL
 51 11/02/03 JPL
 52 11/02/03 JPL
 53 11/02/03 JPL
 54 11/02/03 JPL
 55 11/02/03 JPL
 56 11/02/03 JPL
 57 11/02/03 JPL
 58 11/02/03 JPL
 59 11/02/03 JPL
 60 11/02/03 JPL
 61 11/02/03 JPL
 62 11/02/03 JPL
 63 11/02/03 JPL
 64 11/02/03 JPL
 65 11/02/03 JPL
 66 11/02/03 JPL
 67 11/02/03 JPL
 68 11/02/03 JPL
 69 11/02/03 JPL
 70 11/02/03 JPL
 71 11/02/03 JPL
 72 11/02/03 JPL
 73 11/02/03 JPL
 74 11/02/03 JPL
 75 11/02/03 JPL
 76 11/02/03 JPL
 77 11/02/03 JPL
 78 11/02/03 JPL
 79 11/02/03 JPL
 80 11/02/03 JPL
 81 11/02/03 JPL
 82 11/02/03 JPL
 83 11/02/03 JPL
 84 11/02/03 JPL
 85 11/02/03 JPL
 86 11/02/03 JPL
 87 11/02/03 JPL
 88 11/02/03 JPL
 89 11/02/03 JPL
 90 11/02/03 JPL
 91 11/02/03 JPL
 92 11/02/03 JPL
 93 11/02/03 JPL
 94 11/02/03 JPL
 95 11/02/03 JPL
 96 11/02/03 JPL
 97 11/02/03 JPL
 98 11/02/03 JPL
 99 11/02/03 JPL
 100 11/02/03 JPL

This drawing and specifications herein, are the property of Digital Equipment Corporation and shall not be reproduced or copied or used in whole or in part in the design for the manufacture of parts without written permission.



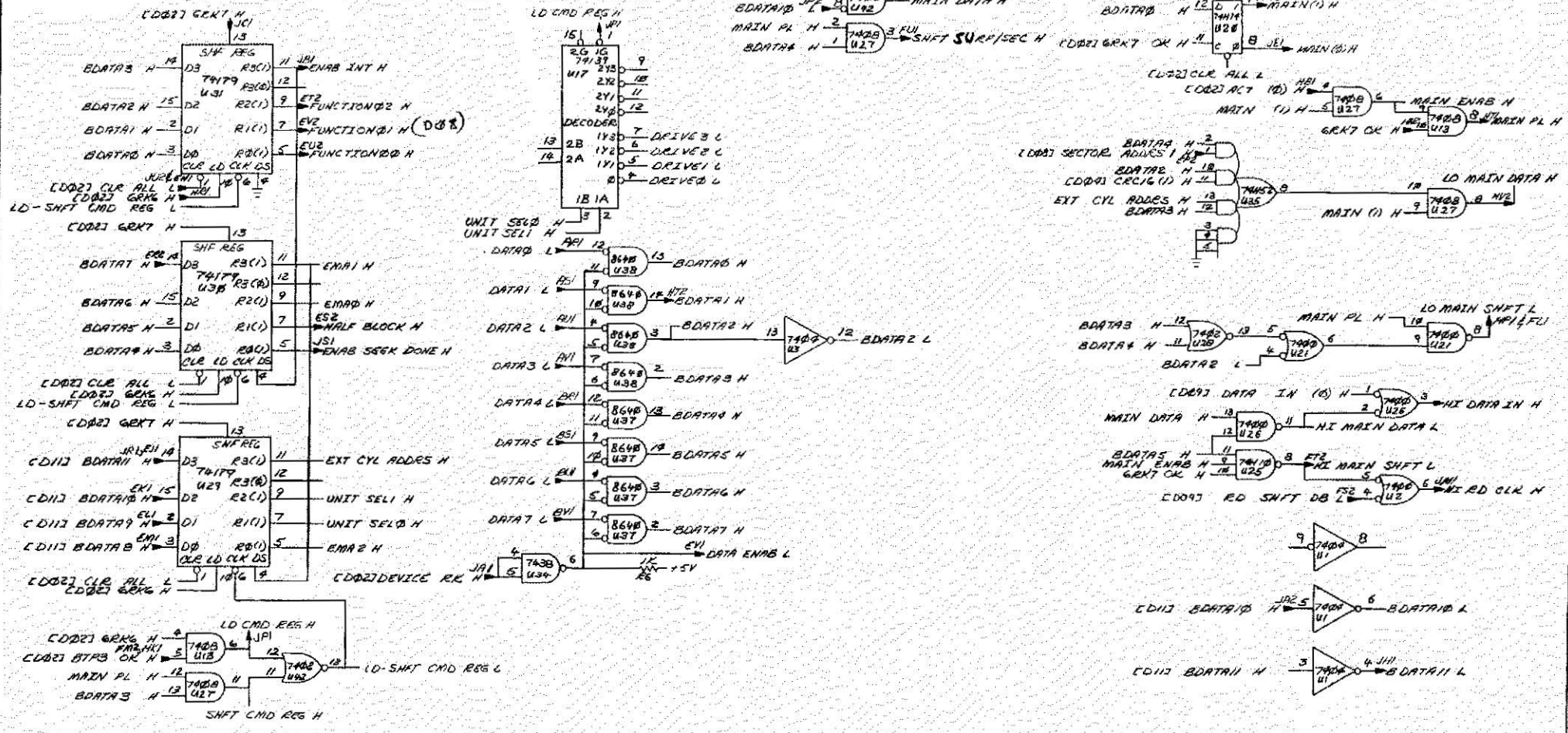
MODIFIED BY GEROLD PAULER 2003/10/24
 (CRC/DISK ADDRESS REG)

FIRST USED ON OPTIM MODEL	QTY.	DESCRIPTION	PART NO.	ITEM NO.
RKB-E				
UNLESS OTHERWISE SPECIFIED DIMENSIONS IN INCHES TOLERANCES				
DECIMALS	ANGLES	DATE		
XXX + 000	XX - 02	XX - 1	XX - 1	XX - 1
REWORK SURFACES AND BREAK SHARP CORNERS SURFACE QUALITY				
MATERIAL				
FINISH				
NEXT HIGHER ASSEMBLY				
SCALE				
SHEET 3 OF				
DIGITAL EQUIPMENT CORPORATION		TITLE (D04) MAJOR REGISTERS PLESSEY		
D-04 RKB-E-0		SIZE CODE	NUMBER	REV
DCS		700641-100F		8

REV. 1
 DATE 8-1-72
 CLK T-1-72

D04 W7105-01-A

The drawing and specifications, herein, are the property of Digital Equipment Corporation and shall not be reproduced or copied in whole or in part in any form or by any means without the prior written permission of Digital Equipment Corporation.

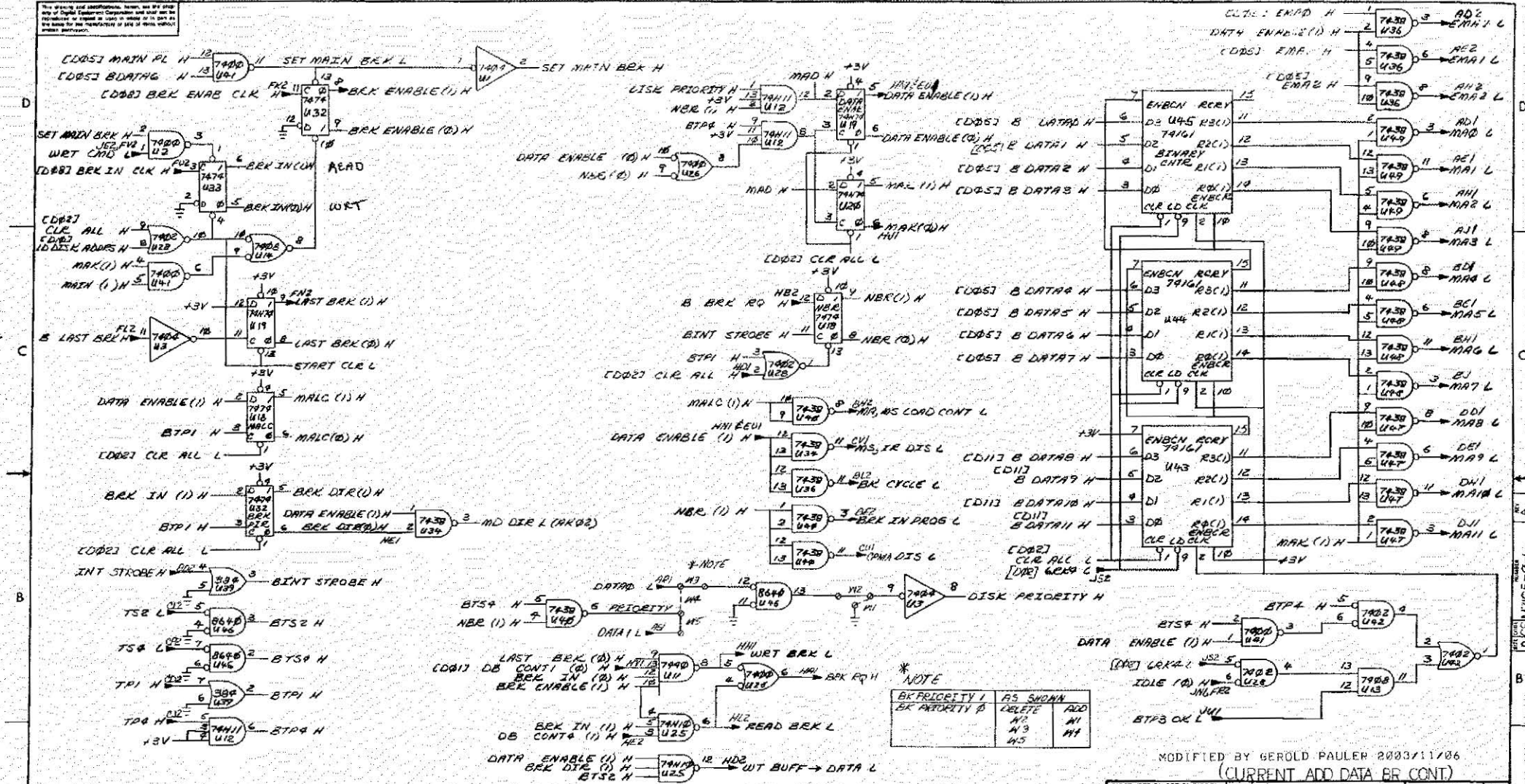


MODIFIED BY GEROLD PAULER 8003/10/84
(COMMAND REG MAINT LOGIC)

FIRST USED ON OPTION/MODEL	QTY	DESCRIPTION	PART NO.	ITER. NO.
RKB-E				
PARTS LIST				
UNLESS OTHERWISE SPECIFIED DIMENSIONS IN INCHES TOLERANCES	DWG. <i>10/84</i>	DATE <i>6/13/84</i>	digital EQUIPMENT CORPORATION CORPORATION 00000000000000000000	
DECIMALS ANGLES	ENG. <i>10/84</i>	DATE <i>6/13/84</i>		
XXX - 000 .XX - 00 X - 0	15° 30'	PROJ. ENG. <i>10/84</i>	TITLE (D05) MAJOR REGISTER PLESSEY	
REMOVE BURRS AND BREAK SHARP CORNERS SURFACE QUALITY	PROD. <i>10/84</i>	DATE <i>10/84</i>		
MATERIAL	WORKING ASSY.	SCALE	SIZE CODE	NUMBER
FINISH	B-W-RKB-0	SHEET 4 OF 6	DCS	700647-100F
				REV B

REV	DATE	BY
1	10/84	PAU

Be strictly and completely true, as the only of Digital Equipment Corporation and shall not be reproduced or transmitted in any form or by any means for the reproduction or use of this document without permission.



* NOTE

BRK PRIORITY 1	AS SHOWN	ADD
BRK PRIORITY 0	DELETE	N1
		N2
		N3
		N4

MODIFIED BY GEROLD PAULER 2003/11/06
(CURRENT ADD DATA BR CONT)

FIRST USE/ON OPTION MODEL	QTY.	DESCRIPTION	PART NO.	ITEM NO.
RKE-E				
PARTS LIST				
UNLESS OTHERWISE SPECIFIED		DATE	DATE	
DIMENSIONS IN INCHES		1/1/70	1/1/70	
TOLERANCES				
DECIMALS	ANGLES	DATE	TITLE	
			(D06)	
			MAJOR REGISTERS	
			PLESSEY	
REMOVE BURRS AND BREAK SHARP CORNERS: SURFACE QUALITY		PROD. DATE		
MATERIAL		IN XY NUMBER ASSY	SIZE CODE	NUMBER
FINISH		E-DU-RKE-0	D06	700647-100F
		SCALE	SHEET	DIST.
		2	5	1

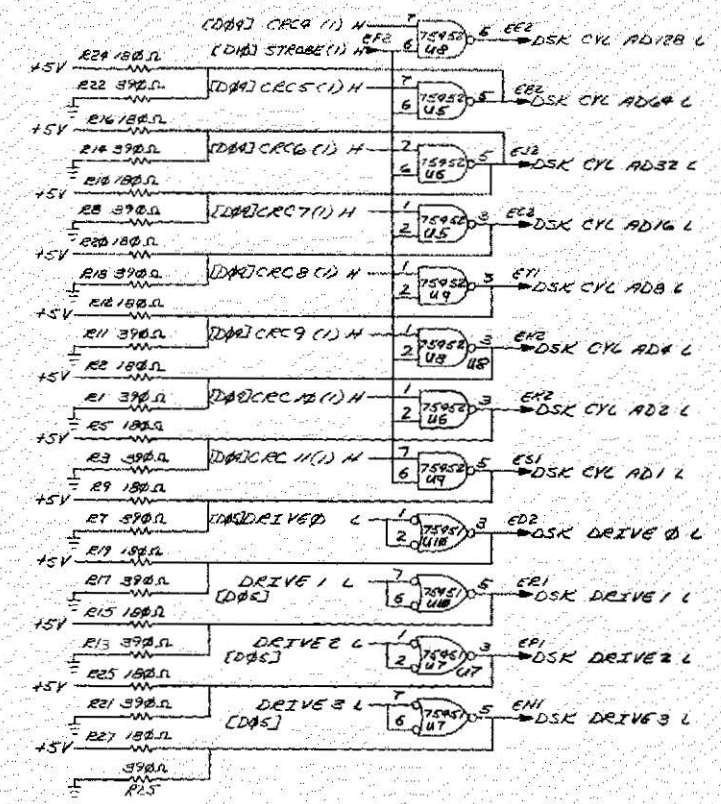
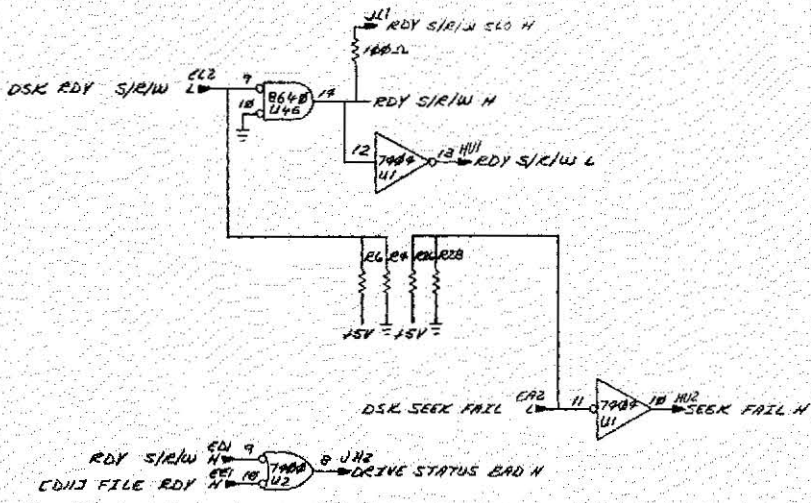
REVISIONS
REV. 001
DATE 1/1/70
BY G.P.
CHK. G.P.
DESIGNED BY G.P.
DRAWN BY G.P.

1. Standard and Non-Standard parts are shown as per the parts of this Equipment Description and shall not be substituted or replaced in kind or value or in part as the case may be without the approval of the original designer and user.

1-2-D127-102
REV 10

D
C
B
A

D
C
B
A



MODIFIED BY GEROLD PAULER 2003/10/23
(DRIVE SIGNALS CABLE J1)

FIRST USED ON OPTION/MODEL	QTY	DESCRIPTION	PART NO.	REV. NO.
RKB-E				
UNLESS OTHERWISE SPECIFIED DIMENSIONS IN INCHES TOLERANCES				
DECIMALS	ANGLES	DATE	PARTS LIST	
XXX ± 0.01	X ± .1	DATE	digital EQUIPMENT CORPORATION	
XXX ± 0.02	X ± .1	DATE	TITLE (D07)	
XXX ± 0.05	X ± .1	DATE	MAJOR REGISTERS	
XXX ± 0.1	X ± .1	DATE	PLESSEY	
REMOVE BURRS AND BREAK SHARP EDGES SURFACE QUALITY				
MATERIAL				
NEXT HIGHER ASSY				
FINISH				
SCALE				
SHEET				
PART NO. NUMBER REV				
DCS 700547-100F B				

SECTION 50
PAGE 10-9

8

7

6

5

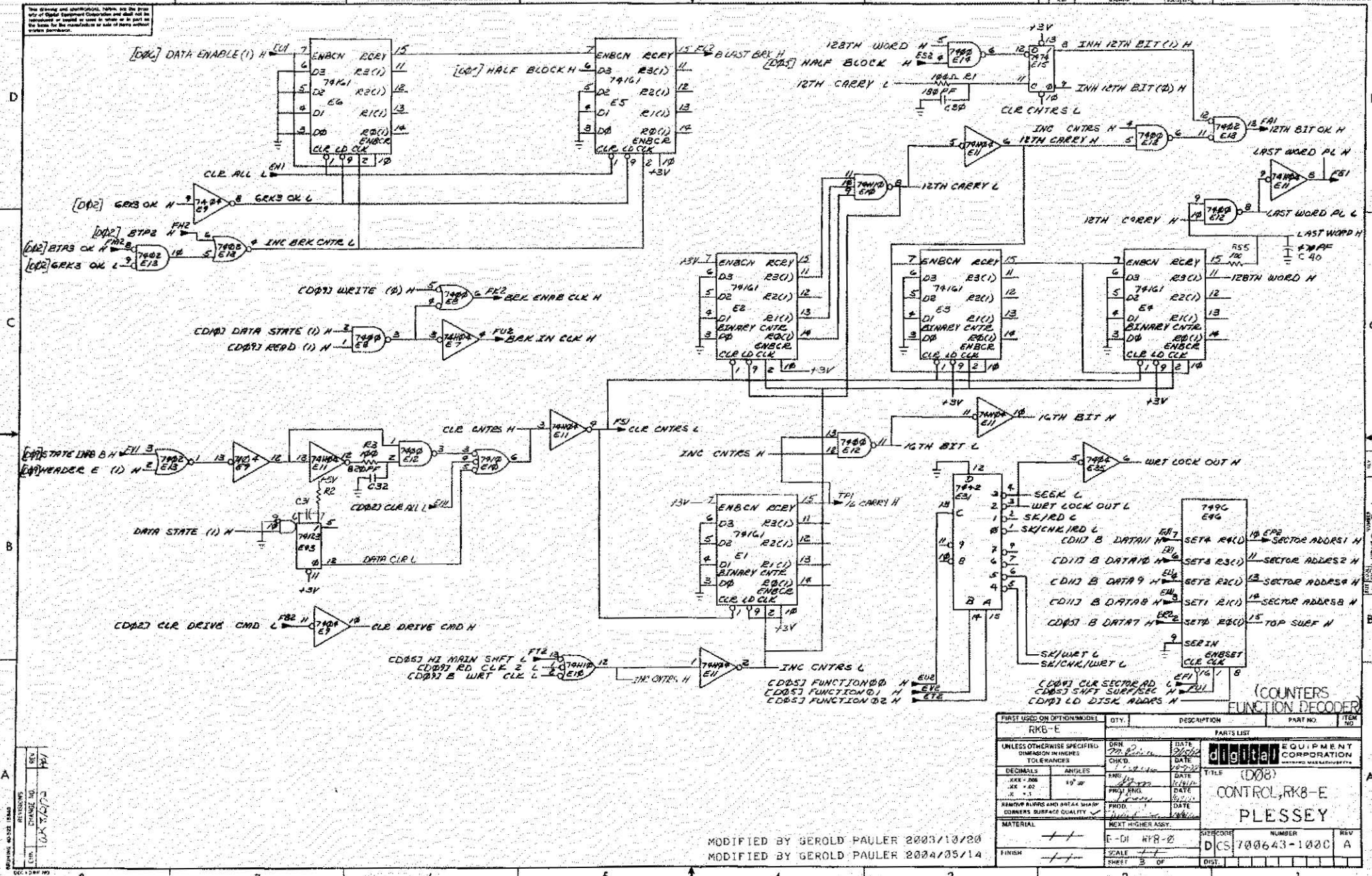
4

3

1

A

This drawing and identification, herein, are the property of Digital Equipment Corporation and shall not be reproduced or used in whole or in part as the basis for the manufacture of any items without written permission.

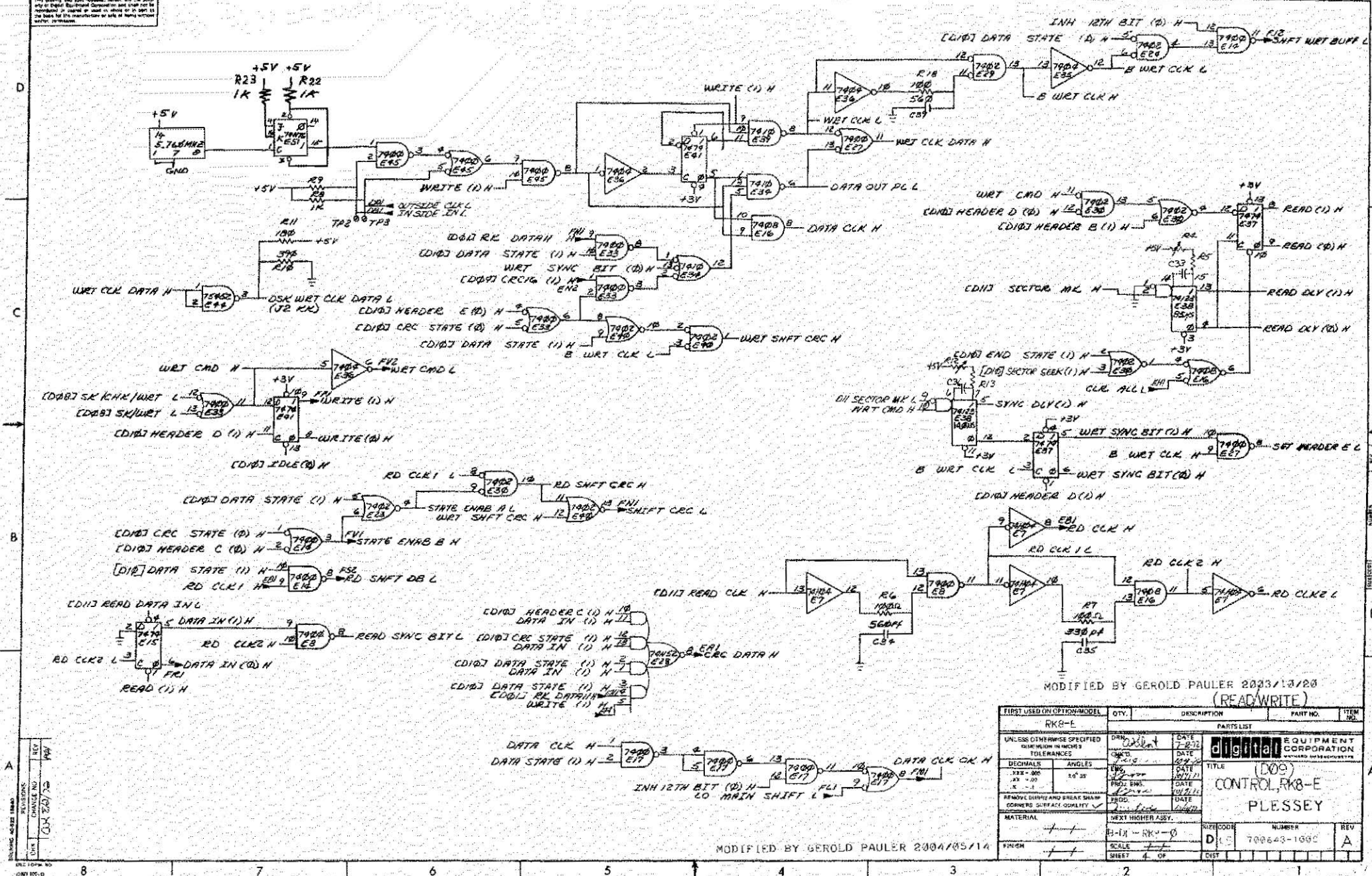


REV: 1/71
 AUTHORITY: [unclear]
 CHANGE NO: [unclear]
 DATE: 10/27/73

MODIFIED BY GEROLD PAULER 2003/10/20
 MODIFIED BY GEROLD PAULER 2004/05/14

FIRST USED ON OPTION/MODEL	QTY.	DESCRIPTION	PART NO.	ITER NO.
RK8-E				
UNLESS OTHERWISE SPECIFIED, DIMENSION IN INCHES TOLERANCES		DRN DATE 2/2/71	PARTS LIST	
DECIMALS ANGLES		CHKD DATE 12/2/71		
XXX + .006 .XX + .02 .XX + .01		FRG DATE 12/2/71		
DRAWN BY: [unclear]		PRD DATE 12/2/71	TITLE (D08) CONTROL, RK8-E PLESSEY	
MATERIAL		PHOD DATE 12/2/71	DRAWN BY: [unclear]	
FINISH		PROD DATE 12/2/71	CHECKED BY: [unclear]	
		SCALE	SHEET 2 OF 2	REV A
		DIST.	DCS 700643-1000	

This drawing and any equipment herein are the property of Digital Equipment Corporation and shall not be reproduced in whole or in part or in any form in the future for the manufacture or sale of items without written permission.



MODIFIED BY GEROLD PAULER 2003/10/20 (READ/WRITE)

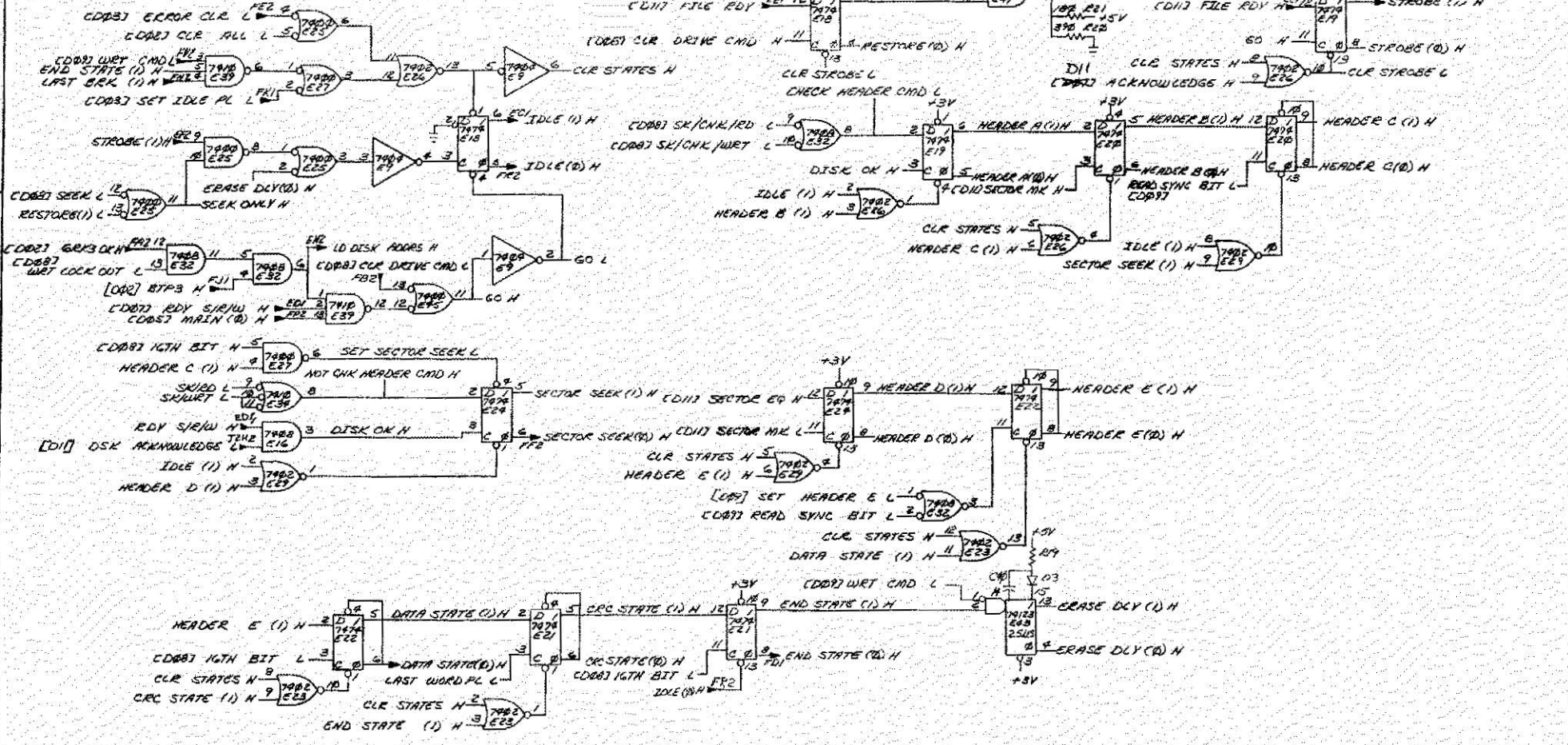
FIRST USED (OPTION/MODEL)	QTY.	DESCRIPTION	PART NO.	ITEM NO.
RK8-E				
UNLESS OTHERWISE SPECIFIED DIMENSIONS IN INCHES TOLERANCES				
DECIMALS	ANGLES	DATE		
.XXX - .000	1.0° ± 30'	DATE	TITLE	
.XX - .00		DATE	CONTROL RK8-E	
.X - .0		DATE	PLESSEY	
		DATE		
REMOVE BURRS AND BREAK SHARP CORNERS SURFACE QUALITY				
MATERIAL				
NEXT HIGHER ASSY.				
B-I-X - RK8-E				
FINISH			SIZE CODE	NUMBER
			D	700643-1000
SCALE			REV	A
SHEET 4 OF 4				

MODIFIED BY GEROLD PAULER 2004/05/14

REV. 1
DATE: 01/20/78
BY: PAV

REV. 1
DATE: 01/20/78
BY: PAV

This drawing and specification herein are the property of Digital Equipment Corporation and shall not be reproduced or copied in whole or in part by any means for the manufacture of any item without written permission.



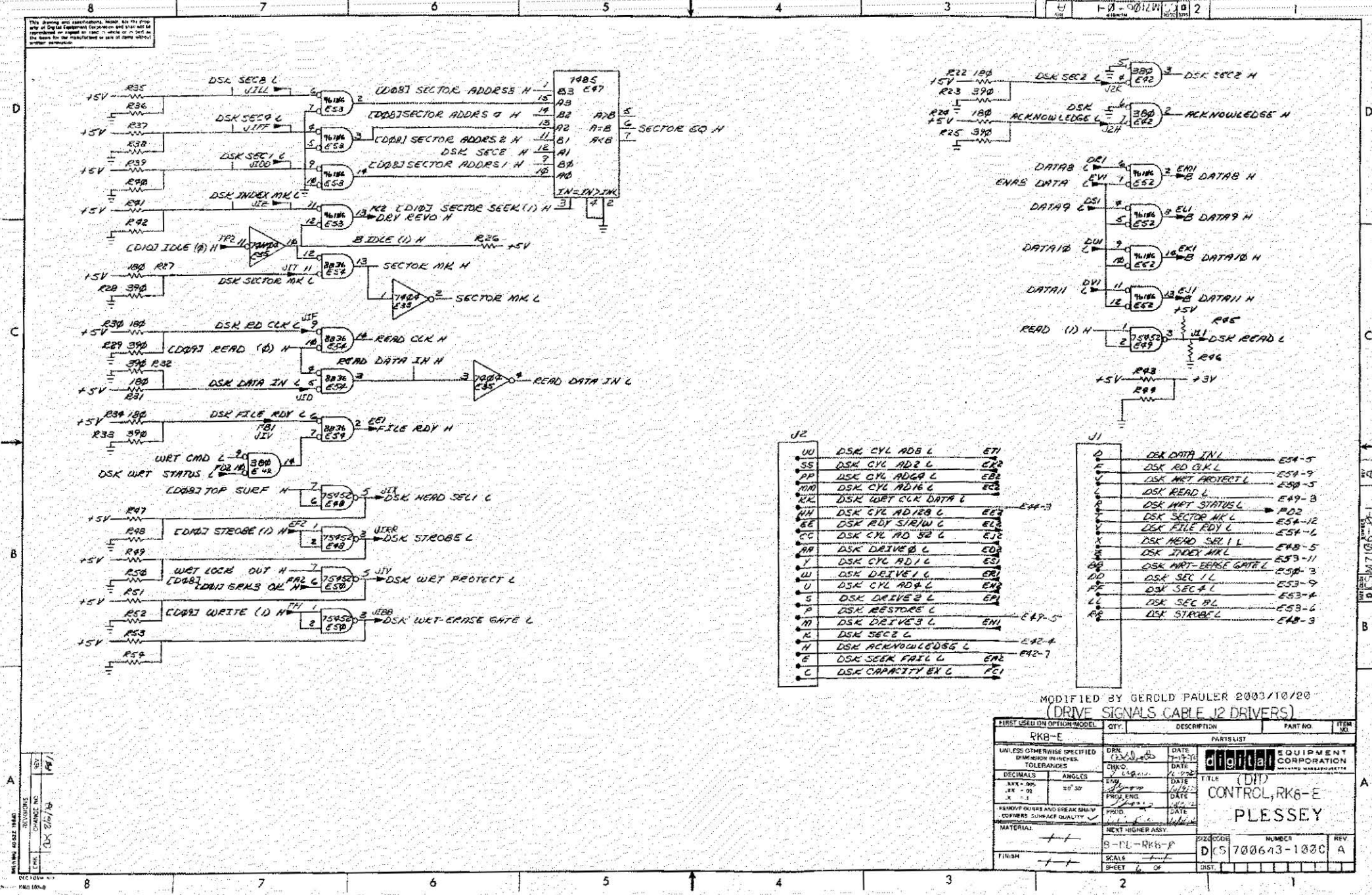
MODIFIED BY GEROLD PAULER 2004/05/14
(MAJOR STATES)

FIRST USED OR OPTION/MOD.	QTY	DESCRIPTION	PART NO.	ITEM NO.
RKB-E				
PARTS LIST				
UNLESS OTHERWISE SPECIFIED DIMENSION IN INCHES TOLERANCES		DRN <i>C. J. West</i>	DATE 2-14-82	digital EQUIPMENT CORPORATION
DECIMALS ANGLES		CHK'D	DATE 16-7-82	
JXX - 008	XX - 82	ENG	DATE	TITLE (DI0) CONTROL, RKB-E PLESSEY
REMOVE BURRS AND BREAK SHARP CORNERS SURFACE QUALITY		PROD	DATE	
MATERIAL	NEXT HIGHER ASSY	SCALE	SCALE	REV. A
FINISH	SCALE	SCALE	SCALE	REV. A

REVISIONS
NO. DATE BY
1 10/21/82 GJP
2 11/11/82 GJP
3 11/11/82 GJP
4 11/11/82 GJP
5 11/11/82 GJP
6 11/11/82 GJP
7 11/11/82 GJP
8 11/11/82 GJP

PCS 1705-01-A

This drawing and associated items, including the drawings of Digital Equipment Corporation and their use are reproduced or copied in any form or by any means without the express or implied written permission of Digital Equipment Corporation.



J2

UU	DSK CYL AD5 L	E71
SS	DSK CYL AD2 L	E72
PP	DSK CYL AD6 L	E73
MM	DSK CYL AD16 L	E74
KK	DSK WRT CLR DATA L	E75
JH	DSK CYL AD128 L	E76
EE	DSK RDY STRW L	E77
CC	DSK CYL AD 32 L	E78
AA	DSK DRIVE 3 L	E79
Y	DSK CYL AD1 L	E80
W	DSK DRIVE 1 L	E81
U	DSK CYL AD4 L	E82
S	DSK DRIVE 2 L	E83
P	DSK RESTORE L	E84
M	DSK DRIVE 3 L	E85
K	DSK SEC 2 L	E86
H	DSK ACKNOWLEDGE L	E87
E	DSK SEEK FAIL L	E88
C	DSK CAPACITY EX L	E89

J1

D	DSK DATA IN L	E90-5
F	DSK RD CLK L	E91-9
PP	DSK WRT PROTECT L	E92-5
L	DSK READ L	E93-3
P	DSK WRT STATUS L	E94-3
F	DSK SECTOR MK L	E95-12
X	DSK FILE RDY L	E96-6
Z	DSK WRT SEL L	E97-5
S	DSK INDEX MK L	E98-5
BB	DSK WRT-ERASE GATE L	E99-3
DD	DSK SEC 1 L	E100-9
FF	DSK SEC 4 L	E101-4
LL	DSK SEC 8 L	E102-6
RR	DSK STROBE L	E103-3

MODIFIED BY GEROLD PAULER 2003/10/20
(DRIVE SIGNALS CABLE J2 DRIVERS)

FIRST USED ON OPTION/MODEL	QTY	DESCRIPTION	PART NO.	ITEM NO.
RK6-E				
UNLESS OTHERWISE SPECIFIED DIMENSION UNITS ARE INCHES		DATE	EQUIPMENT CORPORATION	
DECIMALS	ANGLES	DATE	TITLE (DIT)	
XXX - .001	30° 30'	DATE	CONTROL, RK6-E	
XXX - .005		DATE	PLESSEY	
XXX - .010		DATE		
REMOVE DIMS AND BREAK DIMS TO COPIERS SURFACE QUALITY				
MATERIAL				
NEXT HIGHER ASSY				
FINISH		SIZE CODE	NUMBER	REV
S-PL-RK6-P		D(S	700643-1000	A
SCALE		SHEET		DIST
1/1		6 OF		