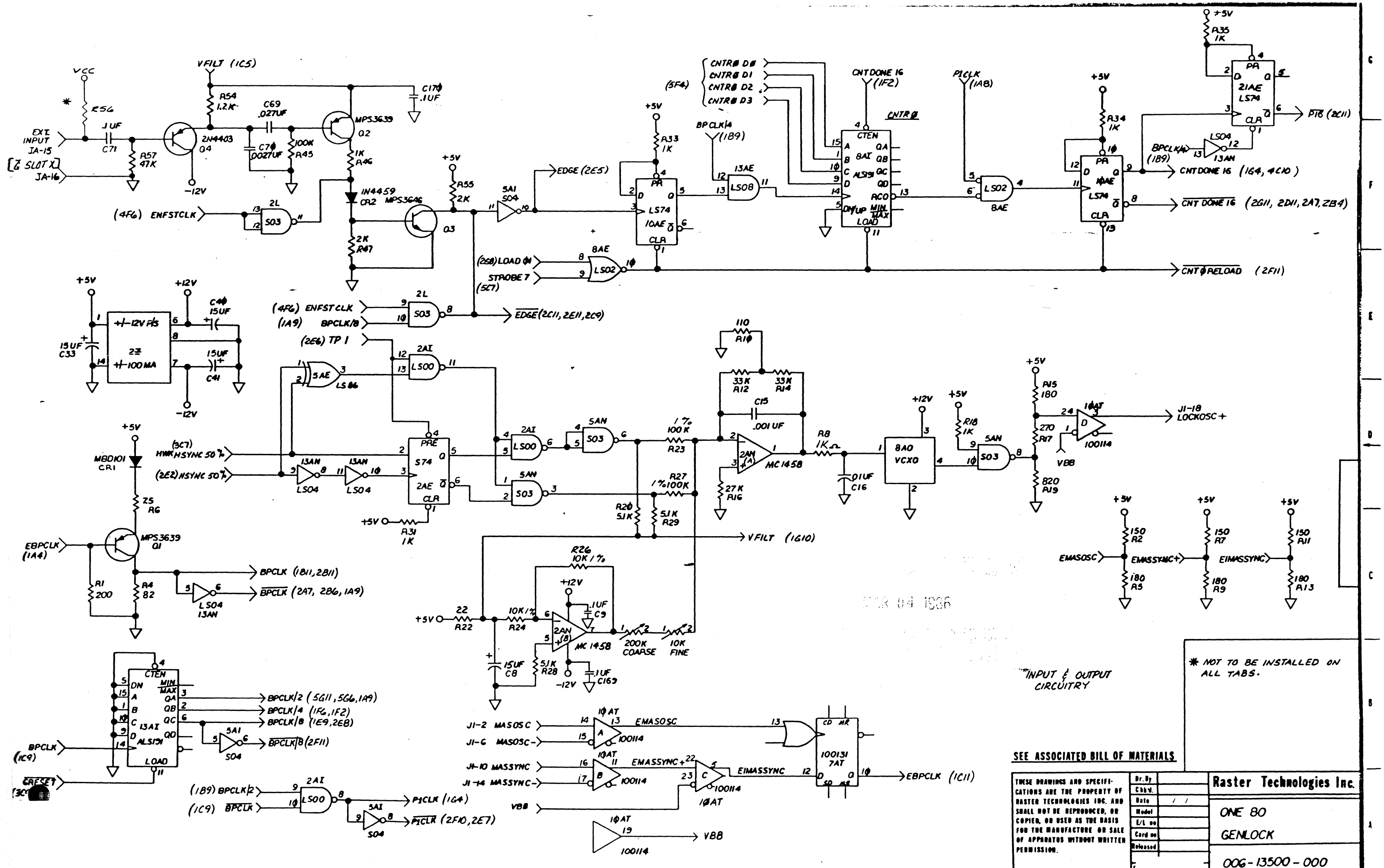


One/80 Genlock

Drawing # 006-13500-000



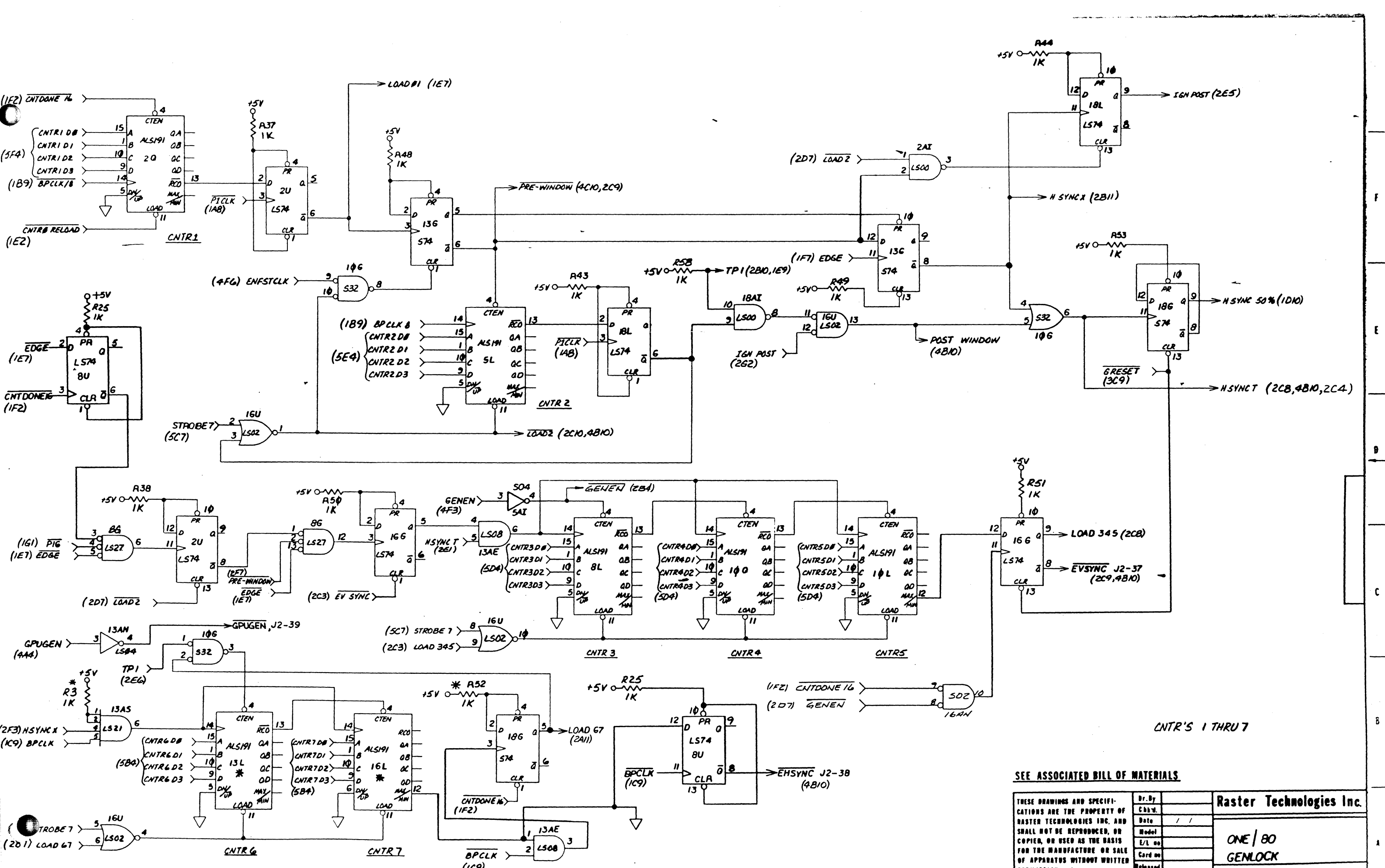
REV 04 1986

INPUT & OUTPUT CIRCUITRY

\* NOT TO BE INSTALLED ON ALL TABS.

SEE ASSOCIATED BILL OF MATERIALS

THESE DRAWINGS AND SPECIFICATIONS ARE THE PROPERTY OF RASTER TECHNOLOGIES INC. AND SHALL NOT BE REPRODUCED, OR COPIED, OR USED AS THE BASIS FOR THE MANUFACTURE OR SALE OF APPARATUS WITHOUT WRITTEN PERMISSION.	Dr. By		<b>Raster Technologies Inc.</b>  ONE 80 GENLOCK  006-13500-000
	Chkd.		
	Date	/ /	
	Model		
	L/L no.		
Card no.			
Released			



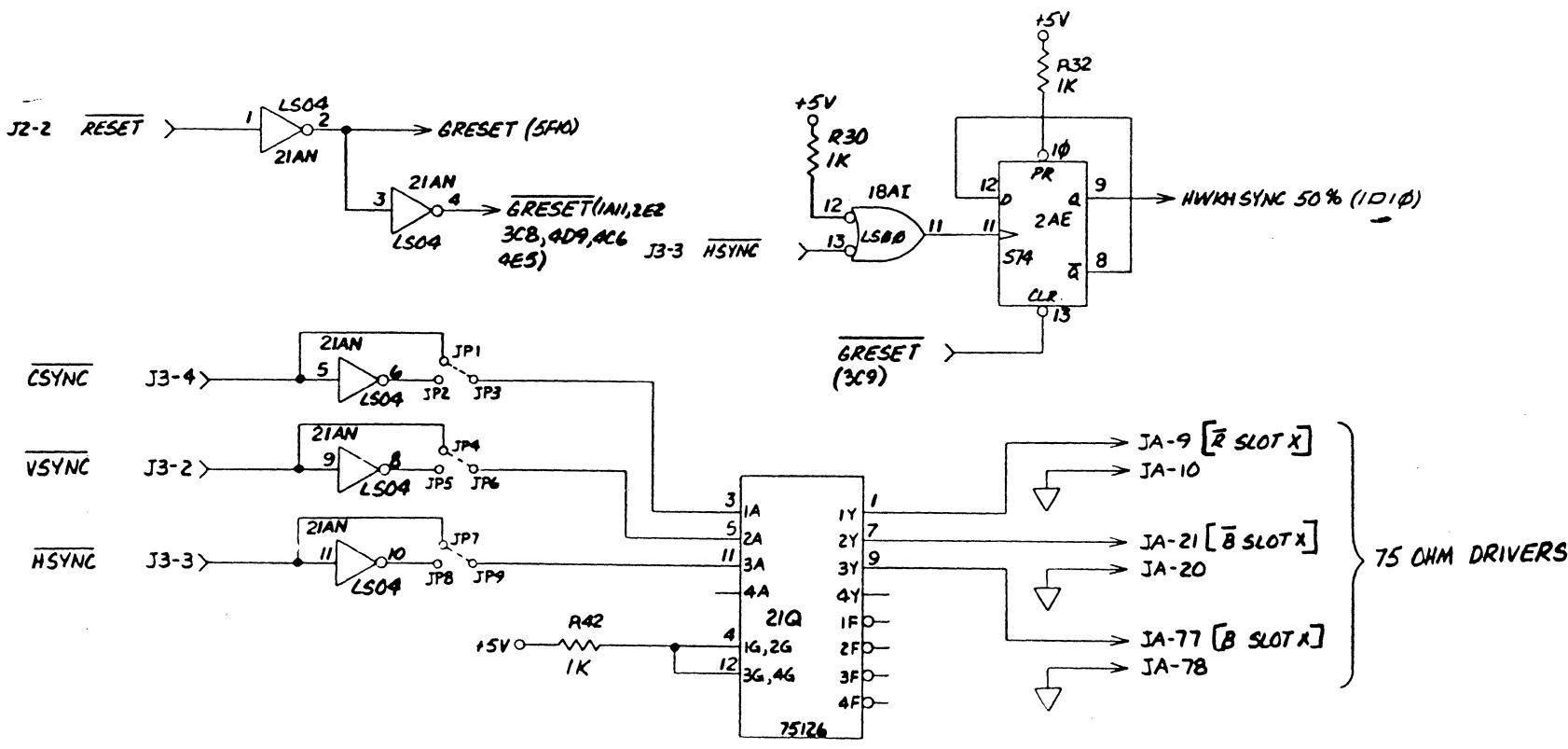
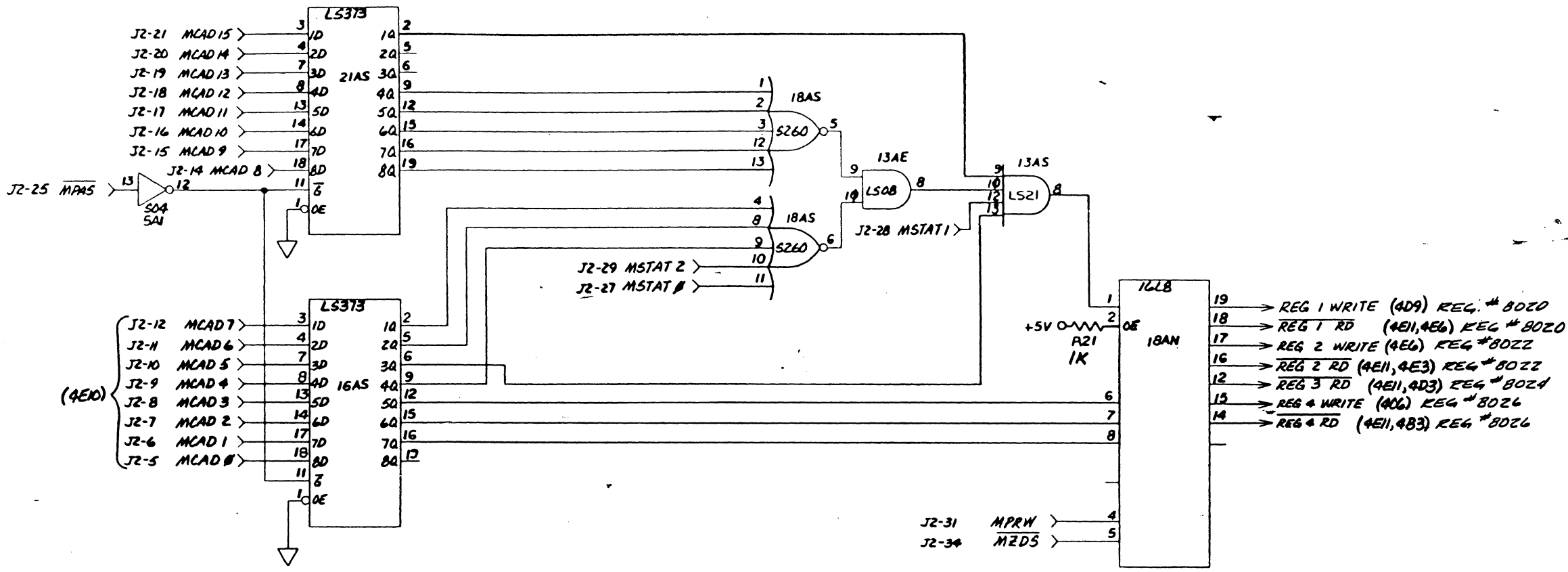
CNTR'S 1 THRU 7

SEE ASSOCIATED BILL OF MATERIALS

THESE DRAWINGS AND SPECIFICATIONS ARE THE PROPERTY OF RASTER TECHNOLOGIES INC. AND SHALL NOT BE REPRODUCED, OR COPIED, OR USED AS THE BASIS FOR THE MANUFACTURE OR SALE OF APPARATUS WITHOUT WRITTEN PERMISSION.

Dr. By		<b>Raster Technologies Inc.</b>  ONE / 80 GENLOCK  006-13500-000
Chkd.		
Date	/ /	
Model		
E/L no		
Card no		
Released		

\* - NOT INSTALLED ON ALL TABS

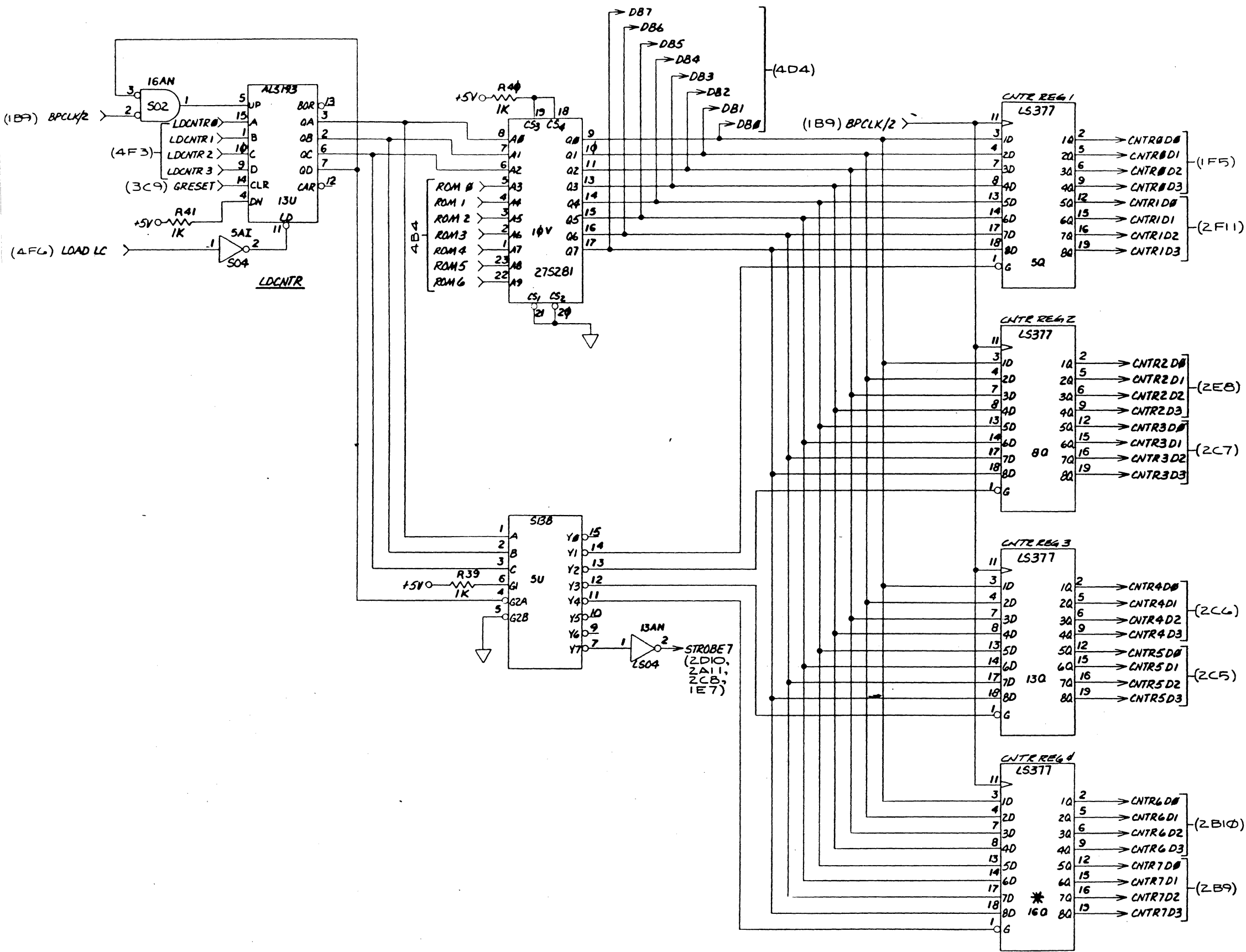


REGISTER DECODE  
\$75 OHM DRIVERS

SEE ASSOCIATED BILL OF MATERIALS

THESE DRAWINGS AND SPECIFICATIONS ARE THE PROPERTY OF RASTER TECHNOLOGIES INC. AND SHALL NOT BE REPRODUCED, OR COPIED, OR USED AS THE BASIS FOR THE MANUFACTURE OR SALE OF APPARATUS WITHOUT WRITTEN PERMISSION.	Dr. By		<b>Raster Technologies Inc.</b>  ONE/80 GENLOCK  006-13500-000
	Chkd.		
	Date	/ /	
	Model		
	E/L no		
Card no			
Released			





CNTR REGISTERS  
LDCNTR & ROM

SEE ASSOCIATED BILL OF MATERIALS

Dr. By		<b>Raster Technologies Inc.</b>  ONE/80 GENLOCK  006-13500-000
Chkd.		
Date	/ /	
Model		
E/L no		
Card no		
Released		

\* NOT INSTALLED ON ALL TABS