

BUGBOOKS FOR SALE \* BUGBOOKS I, II, IIA, and III

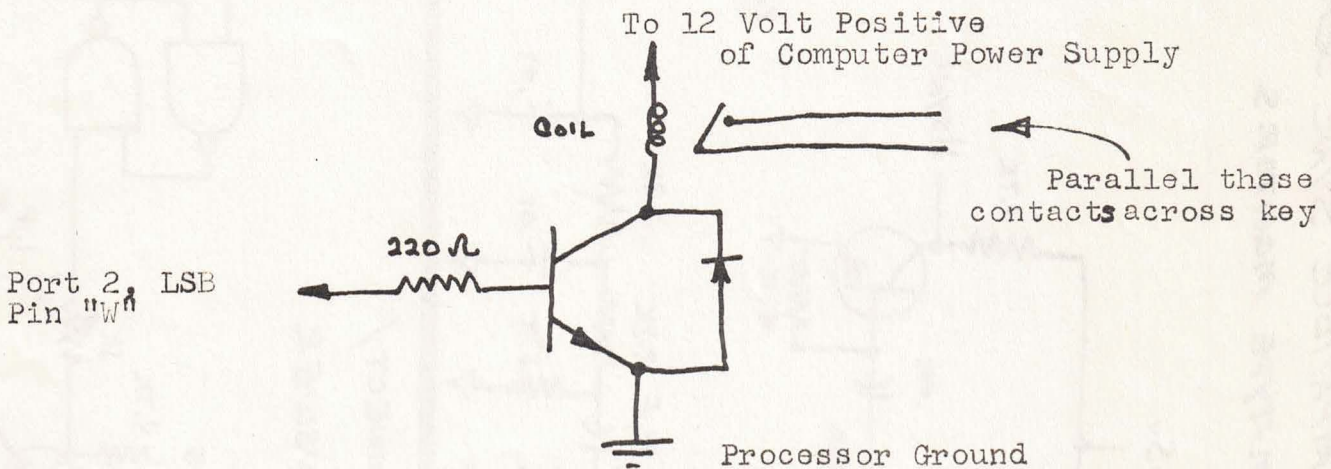
Contact Ralph Iden, R.R. #5, Box 278, Lake Geneva, Wisc. 53147

Club member Herb Gerend (W9OUT) sent me the following:

The Digital Group system has a very convenient and easy way to send perfect Morse code from the Computer Keyboard. A cassette tape called the "Ham-1" is available which has CW & RTTY programs on it.

The "CW Send" routine has three pre-set speeds; 5, 13, and 20 words per minute. It is also possible to increment or decrement the speed up or down from the pre-set speed. In addition, there are 8 - 100 character memories that can be called up in which info on the station equipment, name & QTH or what-ever can be stored.

The interface hardware is very simple - resistor, NPN transistor, protective diode, and a small 12 volt D.C. relay.



\*\*\*\*\*

The 1977 National Computer Conference will be held at the Dallas Convention Center - June 13-16. More than 25,000 people are expected to gather in Dallas for a conference program of more than 100 sessions and the year's largest display of computer hardware, software, systems and services.

\*\*\*\*\*

The Second Annual COMPUTERFEST - MIDWEST Regional Computer Convention will be held June 10, 11, 12 in Cleveland, Ohio. COMPUTERFEST is sponsored by the Midwestern Affiliation of Computer Clubs.

\*\*\*\*\*

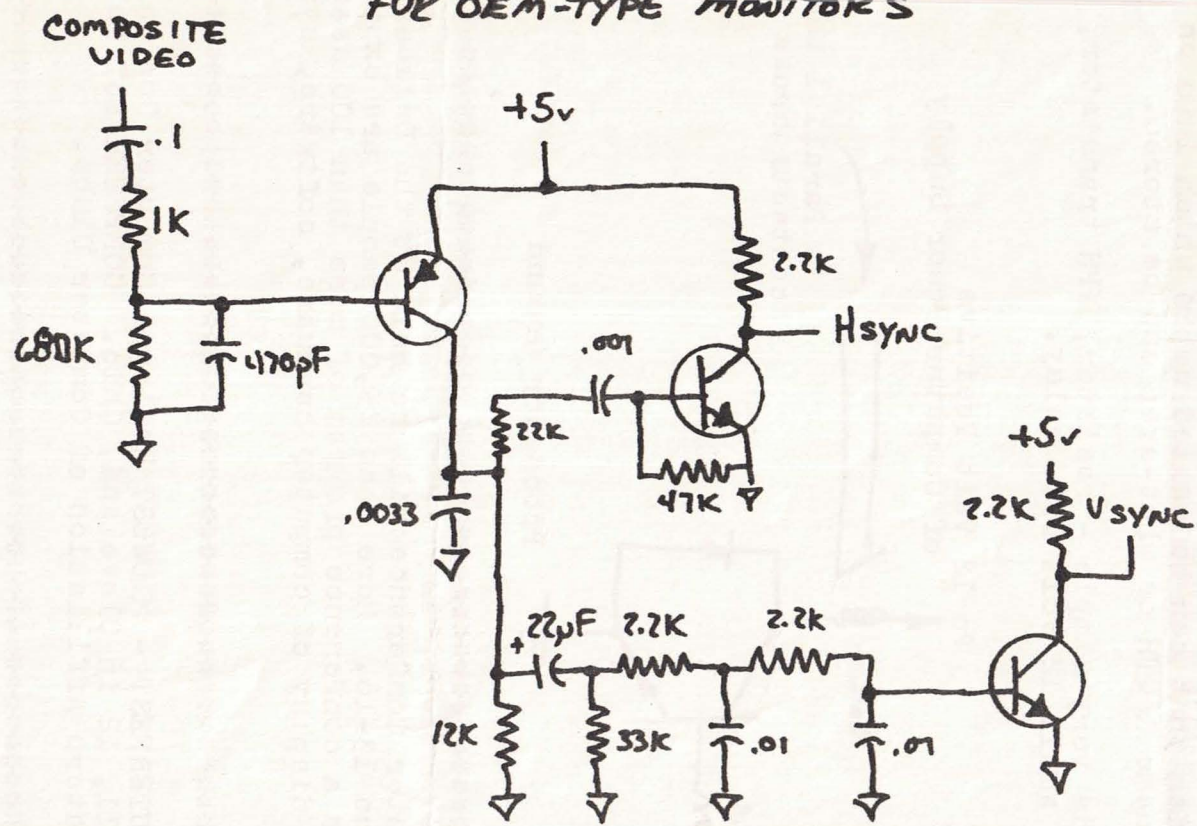
WACC II - The second World Altair Computer Convention is scheduled for May 4-7 in Albuquerque, N.M.

*1977 the first 3/26/1970 was*

*4/12/2020 I believe this is a stragler from an early issue of Vol. #2 R. Zimm*

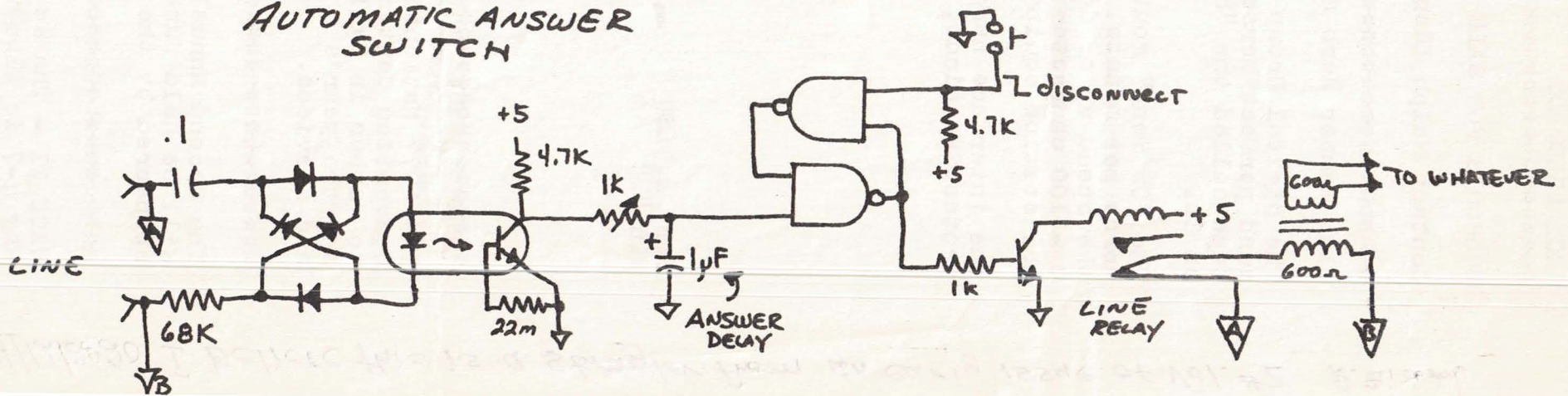


# TTL COMPATIBLE SYNC SEPARATOR FOR OEM-TYPE MONITORS



This info supplied by  
Allen Kossow

## MANUAL DISCONNECT/ AUTOMATIC ANSWER SWITCH





## 8080 Machine Language Programs

Memory space can be saved and program execution can be sped up by using the following trick when the program involves a series of calls to subroutines. Many programs have sections in them that will be of the following form-

```
CALL XXXX
CALL YYYY
CALL ZZZZ
RET
```

A program section having the following form can usually be substituted.

```
CALL XXXX
CALL YYYY
JMP ZZZZ
```

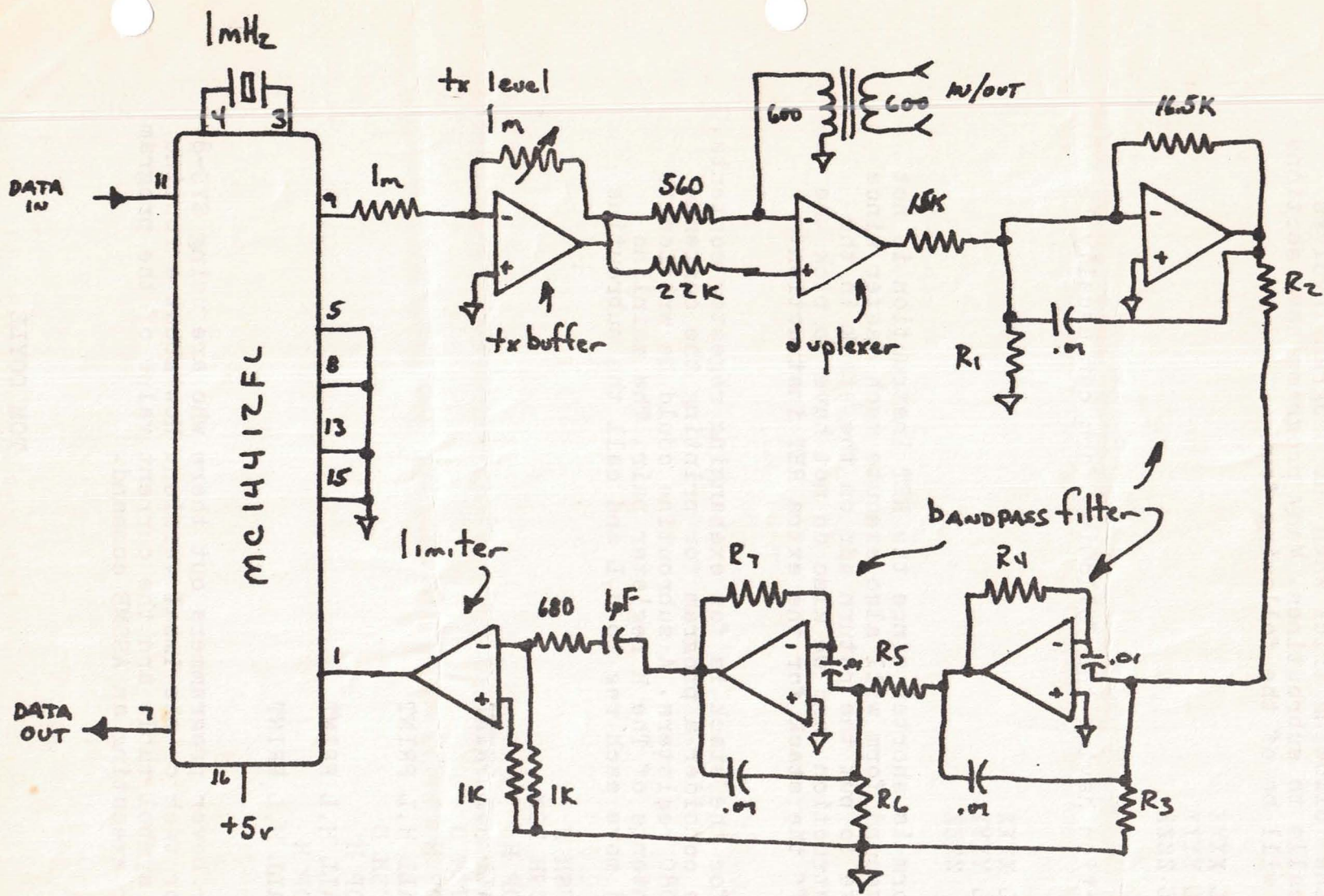
The second form is shorter since the RET instruction is not needed. The second form will also execute much faster since we do not have to put the return adr on the stack in the CALL ZZZZ instruction and we also do not have to pick the return adr off the stack for the extra RET instruction.

Another use for the stack is for exchanging register contents. As an example consider a program for printing the contents of all the 8080 registers. A subroutine could be written to print the contents of The H register pair. The mainline program could move each reg to H,L and call the subroutine as follows.

```
PUSH H
PUSH PSW
POP H
CALL H,L PRINT
PUSH B
POP H
CALL H,L PRINT
PUSH D
POP H
CALL H,L PRINT
POP H
CALL H,L PRINT
```

For any eager beaver programmers out there who are using SYS-8 from processor tech or the imsai version. How about a routine to print the symbol table and the current value of the program counter after executing an ASSME command.





	ORIGINATE	ANSWER
R1	267	845
R2	18.7K	21.5K
R3	324	1240
R4	210K	287K
R5	8.66K	7.87K
R6	619	2550
R7	95.3K	97.6K

All .01pF caps should be mylar

This info supplied by Allen Kossow

103TYPE MODEM  
FIVE DUREX 200BAUD