



VT82C580VP

APOLLO VP

**Green Pentium/P54C/M1/K5
PCI/ISA System
with Unified Memory Architecture,
Universal Serial Bus and
Master Mode PCI-IDE Controller**

DATE : February, 1996

VIA TECHNOLOGIES, INC.

Copyright Notice:

Copyright © 1995, 1996 Via Technologies Incorporated. Printed in Taiwan. ALL RIGHTS RESERVED.

No part of this document may be reproduced, transmitted, transcribed, stored in a retrieval system, or translated into any language, in any form or by any means, electronic, mechanical, magnetic, optical, chemical, manual or otherwise without the prior written permission of Via Technologies Incorporated.

The VT82C580VP, VT82C585VP, VT82C586 and VT82C587VP may only be used to identify products of VIA Technologies.

PS/2™ is a registered trademark of International Business Machines Corp.

Pentium™, and P54C™ are registered trademarks of Intel Corp.

M1™ is a registered trademark of Cyrix Corp.

K86™ (K5) is a registered trademark of Advanced Micro Devices Corp.

Windows 95™ and Plug and Play™ are registered trademarks of Microsoft Corp.

PCI™ is a registered trademark of the PCI Special Interest Group.

Cache™ is a registered trademark of Msys Inc.

All trademarks are the properties of their respective owners.

Disclaimer Notice:

No license is granted, implied or otherwise, under any patent or patent rights of VIA Technologies. VIA Technologies makes no warranties, implied or otherwise, in regard to this document and to the products described in this document. The information provided by this document is believed to be accurate and reliable to the publication date of this document. However, VIA Technologies assumes no responsibility for any errors in this document. Furthermore, VIA Technologies assumes no responsibility for the use or misuse of the information in this document and for any patent infringements that may arise from the use of this document. The information and product specifications within this document are subject to change at any time, without notice and without obligation to notify any person of such change.

Offices:

5020 Brandin Court
Fremont, CA 94538
USA

Tel: (510) 683-3300
Fax: (510) 683-3301

8th Floor, No. 533
Chung-Cheng Rd., Hsin-Tien
Taipei, Taiwan ROC

Tel: (886-2) 218-5452
Fax: (886-2) 218-5453

REVISION HISTORY

Document Release	Revision	Date
	Revision 1.0	2/15/96
	Preliminary Release	10/25/95

Table of Contents

Features.....	1
Overview.....	4
Configuration Register of VT82C580VP.....	7
VT82C585VP (Host -PCI).....	7
VT82C586 (PCI-ISA/IDE/USB).....	16
AC Timing Characteristics	33
VT82C580VP Pin Description	51
Electrical Characteristics.....	67
VT82C580VP Packages	68
Appendix A: Schematics	
Appendix B: Operating Guide of VT5063B	
Appendix C: Performance of VT82C580VP	

**VIA VT82C580VP APOLLO-VP
PENTIUM/P54C PCI/ISA GREEN PC SYSTEMS
WITH UNIFIED MEMORY ARCHITECTURE,
UNIVERSAL SERIAL BUS AND
MASTER MODE PCI-IDE CONTROLLER**

FEATURES

- * **PCI/ISA Green PC Ready**
- * **High Integration**
 - VT82C585VP system controller
 - VT82C586 PCI to ISA bridge
 - Two instances of the VT82C587VP data buffers
 - Six TTLs for a complete main board implementation
- * **Flexible CPU Interface**
 - 64-bit P54C™, K5™ and M1™ CPU interface
 - CPU external bus speed up to 66Mhz (internal 200Mhz and above)
 - Supports CPU internal write-back cache
 - Concurrent CPU/cache and PCI/DRAM operation
 - System management interrupt, memory remap and STPCLK mechanism
 - Cyril M1 linear burst support
 - CPU NA#/Address pipeline capability
- * **Advanced Cache Controller**
 - Direct map write back or write through secondary cache
 - Burst Synchronous (Pipelined or non-pipelined), asynchronous SRAM, and Cache Module support
 - Eight-pin CWE# and GWE# control options
 - Flexible cache size: 0K/256K/512K/1M/2MB
 - 32 byte line size to match the primary cache
 - Integrated 10-bit tag comparator
 - 3-1-1-1 read/write timing for Burst Synchronous SRAM access at 66Mhz
 - 3-1-1-1-1-1-1-1 back to back read timing for Burst Synchronous SRAM access at 66Mhz
 - Sustained 3 cycle write access for Burst Synchronous SRAM access or CPU to DRAM and PCI bus post write buffers at 66Mhz
 - 3-2-2-2 (read) and 4-2-2-2 (write) timing for interleaved asynchronous SRAM access at 66Mhz
 - Data streaming for simultaneous primary and secondary cache line fill
 - System and video BIOS cacheable and write-protect
 - Programmable cacheable region and cache timing
 - Optional combined tag and alter bit SRAM for write-back scheme
- * **Fast DRAM Controller**
 - Concurrent DRAM writeback
 - Four Cache lines (16 quadwords) of CPU/cache to DRAM write buffers
 - Fast Page Mode/EDO/Burst EDO/Synchronous-DRAM support in a mixed combination
 - Mixed 256K/512K/1M/2M/4M/8M/16MxN DRAMs

- 6 banks up to 512MB DRAMs (maximum four banks of Synchronous DRAM)
- Flexible row and column addresses
- 64 bit or 32 bit data width in arbitrary mixed combination
- 3.3v and 5v DRAM without external transceivers
- Speculative DRAM access
- Read around Write capability for non-stalled CPU read
- Burst read and write operation
- 4-2-2-2 on page, 7-2-2-2 start page and 9-2-2-2 off page timing for EDO DRAMs at 50/60Mhz
- 4-2-2-2 on page, 8-2-2-2 start page and 11-2-2-2 off page timing for EDO DRAMs at 66Mhz
- 5-1-1-1 on page, 8-1-1-1 start page and 10-1-1-1 off page timing for Burst EDO DRAMs at 66Mhz
- 5-2-2-2-3-1-2-2 back-to-back access for EDO DRAM at 66Mhz
- 5-1-1-1-3-1-1-1 back-to-back access for BEDO DRAM at 66Mhz
- BIOS shadow at 16KB increment
- System management memory remapping
- Decoupled and burst DRAM refresh with staggered RAS timing
- Programmable refresh rate, CAS-before-RAS refresh and refresh on populated banks only

*** Unified Memory Architecture**

- Supports VESA UMA handshake protocol
- Compatible with major video/GUI products
- Direct video frame buffer access
- Satisfies maximum latency requirement from REQ# to GNT# and from GNT# to REQ#

*** Intelligent PCI Bus Controller**

- 32 bit PCI interface
- Supports 66Mhz and 3.3v/5v PCI bus
- PCI master snoop ahead and snoop filtering
- PCI master Peer Concurrency
- Synchronous Bus to CPU clock with divide-by-two from the CPU clock
- Automatic detection of data streaming burst cycles from CPU to the PCI bus
- Five levels (double-words) of CPU to PCI posted write buffers
- Byte merging in the write buffers to reduce the number of PCI cycles and to create further PCI bursting possibilities
- Zero wait state PCI master and slave burst transfer rate
- PCI to system memory data streaming up to 132Mbyte/sec
- Sixty-four levels (double-words) of post write buffers from PCI masters to DRAM
- Thirty-two levels (double-words) of prefetch buffers from DRAM for access by PCI masters
- Enhanced PCI command optimization (MRL, MRM, MWI, etc)
- Complete steerable PCI interrupts
- Supports L1 write-back forward to PCI master read to minimize PCI read latency
- Supports L1 write-back merged with PCI master post-write to minimize DRAM utilization
- Provides transaction timer to fairly arbitrate between PCI masters
- PCI-2.1 compliant

*** Enhanced Master Mode PCI IDE Controller**

- Dual channel master mode PCI supporting four Enhanced IDE devices
- Transfer rate up to 22MB/sec to cover PIO mode 4 and Multiword DMA mode 2 drivers and beyond
- Sixteen levels (doublewords) of prefetch and write buffers
- Interlaced commands between two channels
- Bus master programming interface for ATA controllers SFF-8038 rev.1.0 compliant
- Full scatter and gather capability
- Support ATAPI compliant devices
- Support PCI native and ATA compatibility modes

- Complete software driver support
- * **Universal Serial Bus Controller**
 - USB v1.0 and Intel Universal HCI v1.0 compatible
 - Eighteen levels(doublwords) of data FIFOs
 - Root hub and two function parts with built-in physical layer transceivers
 - Legacy keyboard and PS/2 mouse support
- * **Plug and Play Controller**
 - Dual interrupt and DMA signal steering with plug and play control
 - Microsoft Windows 95™ and plug and play BIOS compliant
- * **Sophisticated Power Management Unit**
 - Normal, doze, sleep, suspend and conserve modes
 - System event monitoring with two event classes
 - One idle timer, one peripheral timer and one general purpose timer
 - More than ten general purpose Input/Output ports
 - Six external event input ports with programmable SMI condition
 - Complete leakage control when external component is in power off state
 - Primary and secondary interrupt differentiation for individual channels
 - Clock stretching, clock throttling and clock stop control
 - Multiple internal and external SMI sources for flexible power management models
 - Two programmable output ports
 - APM 1.1 compliant
- * **PCI to ISA Bridge**
 - Integrated 82C206 peripheral controller
 - Integrated keyboard controller with PS2 mouse supports
 - Integrated DS12885 style real time clock with extended 128 byte CMOS RAM
 - Integrated USB (universal serial bus) controller with hub and two function ports
 - Integrated master mode enhanced IDE controller with enhanced PCI bus commands
 - PCI-2.1 compliant with delay transaction
 - Four double-word line buffer between PCI and ISA bus
 - Supports type F DMA transfers
 - Fast reset and Gate A20 operation
 - Edge trigger or level sensitive interrupt
 - Flash EPROM and combined BIOS support
- * **Built-in nand-tree pin scan test capability**
- * **0.6um mixed voltage, high speed and low power CMOS process**
- * **208 pin PQFP for VT82C585VP**
- * **208 pin PQFP for VT82C586**
- * **100 pin PQFP for VT82C587VP**

OVERVIEW

The VT82C580VP *Apollo-VP* is a high performance, cost-effective and energy efficient chip set for the implementation of PCI/ISA desktop and notebook personal computer systems based on the 64-bit P54C/Pentium/K5/M1 super-scalar processors. CPU and cache interface is supported up to 66Mhz CPU external bus speed (with CPU internal speed up to 200Mhz and above). The CPU, DRAM and PCI bus are all independently powered so that each of the bus can be run at 3.3v or 5v, independently. The ISA bus always runs at 5v.

The VT82C580VP chip set consists of the VT82C585VP system controller, the VT82C586 PCI to ISA bridge, and two instances of the VT82C587VP data buffers. The CPU bus is minimally loaded with only the CPU, secondary cache and the chip set. The VT82C587VP data buffers isolate the CPU bus from the DRAM and PCI bus so that CPU and cache operation may run reliably at the high frequencies demanded by today's processors. The VT82C585VP contains arbitration logic to support the UMA (unified memory architecture) with video/GUI products from major video vendors. Multiple deep FIFOs (thirty-two double words) are included between multiple data paths to allow efficient concurrent operation and DRAM utilization. The VT82C586 PCI to ISA bridge includes integrated 206-style IPC (DMA, interrupt controller and timer), integrated keyboard controller with PS2 mouse support, integrated DS12885 style real time clock with extended 128 byte CMOS RAM, integrated master mode enhanced IDE controller with full scatter and gather capability, and integrated USB (universal serial bus) interface with root hub and two function ports with built-in physical layer transceiver. A complete main board can be implemented with only six TTLs. Please refer to Figure 1 for the system block diagram.

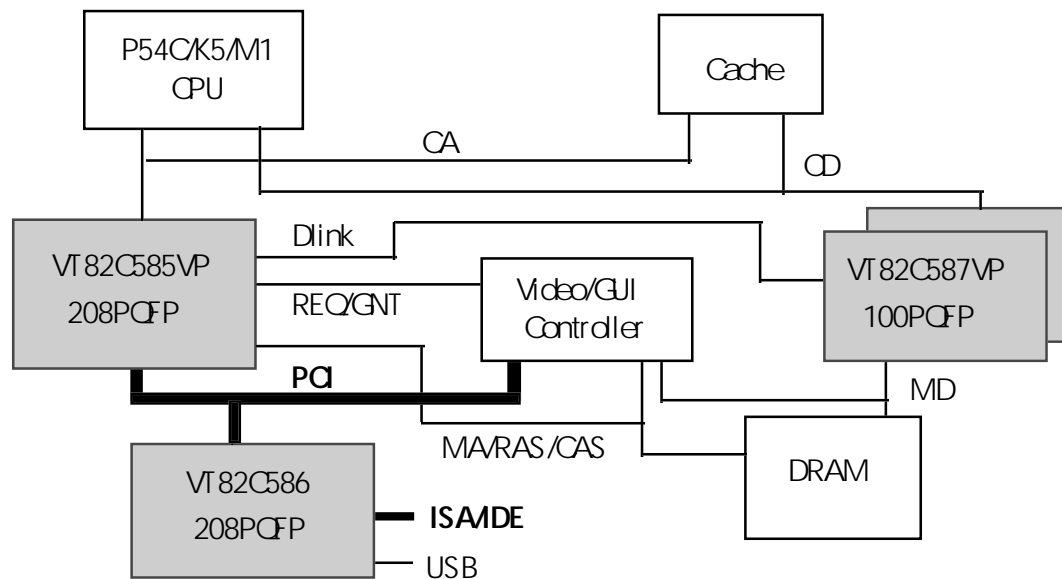


Figure 1. Apollo-VP System Block Diagram

The secondary (L2) cache is based on Burst Synchronous (Pipelined or non-pipelined) SRAM, asynchronous SRAM or cache module from 128KB to 2MB. For burst synchronous SRAMs, 3-1-1-1 timing can be achieved for both read and write transactions at 66Mhz. Four cache lines (16 quadwords) of CPU/cache to DRAM write buffers with concurrent write-back capability are included in the VT82C587VP data buffer chips to speed up the cache read and write miss cycles. These buffers also minimize DRAM utilization and allow minimum performance degradation due to unified memory architecture with the video/GUI controller.

The VT82C580VP supports six banks of DRAMs up to 512KB. The DRAM controller supports Standard Page Mode DRAM, EDO-DRAM, Burst EDO-DRAM and Synchronous DRAM in a flexible mixed/match

manner. The Burst-EDO and Synchronous DRAM allows zero wait state bursting between the DRAM and the VT82C587VP data buffers at 66Mhz. The six banks of DRAM are grouped into three pairs with an arbitrary mixture of 256K/512K/1M/2M/4M/8M/16MxN DRAMs. Each bank may be populated either 32bit or 64bit data width.

The VT82C580VP supports Unified Memory Architecture with standard video/GUI controller based on the VESA UMA handshake protocols. The VT82C580VP includes the arbitration logic with multi-level of priorities, synchronous or asynchronous interface, programmable but guaranteed grant latency. The chip set is also responsible for DRAM refresh, direct frame buffer access, frame buffer memory mapping and arbitration control. With the intelligent arbitration, multiple deep buffers to minimize latency sensitivity and DRAM utilization and zero wait state bursting capability of Burst-EDO and Synchronous DRAMs, the UMA of the VT82C580VP can utilize DRAM most efficiently and deliver good performance for shared frame buffer applications.

The VT82C580VP supports the shadowing of the system, video and other BIOS to speed up the access. The video and system BIOS can also be write-protected and made cacheable. Access cycles to either E , D or C segment can be programmed to be an on-board EPROM cycle to allow the combination of system and video BIOS for an all-in-one system board implementation. The VT82C580VP can also be programmed to recognize write cycles as EPROM cycles to support field upgradability of flash EPROM BIOS.

The VT82C580VP supports 3.3/5v 32-bit PCI bus with 64-bit to 32-bit data conversion. Five levels (doublewords) of post write buffers are included to allow for concurrent CPU and PCI operation. Consecutive CPU addresses are converted into burst PCI cycles with byte merging capability for optimal CPU to PCI throughput. A 16-bit fast data link is established between the two VT82C587VP data units and the VT82C585VP so that the address, data and command information for CPU to PCI bus transactions is contained in the same chip. This arrangement, unique to the VT82C580VP chip set is crucial in achieving zero wait state buffer movement and implementing sophisticated and upgradable buffer management schemes such as the byte merging. For PCI master operation, Sixty-four levels (doublewords) of post write buffers and thirty two levels (doublewords) of prefetch buffers are included for concurrent PCI bus and DRAM/cache accesses. The chipset also supports enhanced PCI bus commands such as Memory-Read-Line, Memory-Read-Multiple and Memory-Write-Invalid commands to minimize snoop overhead. In addition, the chipset supports advanced features such as snoop ahead, snoop filtering, L1 write-back forward to PCI master and L1 write-back merged with PCI post write buffers to minimize PCI master read latency and DRAM utilization. The VT82C586 PCI to ISA bridge supports four levels (doublewords) of line buffers, type F DMA transfers and delay transaction to allow efficient PCI bus utilization and (PCI-2.1 compliant).

The integrated master mode IDE controller supports a dual channel/four device enhanced IDE bus with sixteen levels of double-word prefetch and write buffers. The data bus, control signals, write buffers and prefetch buffers are separated from those of the PCI bus so that performance and electrical loading are optimized. The command and recovery time of each IDE device can be individually programmed in units of PCI bus clock to achieve optimal speed of the device up to >22MB/s. Other features of the IDE controller include interlaced dual channel commands, full scatter and gather capability, bus master programming interface for ATA controllers SFF-8038 compliant and complete software driver support.

The VT82C580VP provides two plug and play ports for converting non plug and play devices into plug and play devices on the main board. The configuration mechanism is compliant with the plug and play BIOS and the Microsoft Windows 95™ operating system.

The integrated power management unit offers the following modes: normal, doze, sleep, suspend and conserve. To determine the power management mode, the power management unit monitors IO events, interrupt, DMA and PCI master request signals to detect the status of system activity. Each event can be turned off or assigned to one of two event classes tracked by an idle timers, a peripheral timer and a general purpose timer. The system management interrupt (SMI) may be triggered by multiple sources including time-out of individual timers, occurrence of system activities, external input and software programming for flexible applications. Clock throttling, IO and power control are functions performed by the SMI routine. The power management unit is APM 1.1 compliant.

The VT82C580VP is ideal for high performance, high quality, high energy efficient and high integration desktop and notebook PCI/ISA computer systems.

Configuration Register of VT82C580VP

VT82C585VP

All registers are located in the PCI configuration space. They should be programmed using PCI configuration mechanism 1 through CF8/CFC.

Offset	Function	
1,0	Vendor ID = 1106h (read only)	
3,2	Device ID = 0585h (read only)	
5,4	Command register	
	bit 0: IO space = 1 (read only)	
	bit 1: memory space = 1 (read only)	
	bit 2: bus master = 1 (read only)	
	bit 3: special cycle monitoring = 0 (read only)	
	bit 4: memory write and invalid command = 0 (read only)	
	bit 5: VGA palette snoop = 0 (read only)	
	bit 6: parity error response (read/write, default=0)	
	bit 7: address/data stepping = 0 (read only)	
	bit 8: SERR# enable (read/write, default=0)	
	bit 9: fast back-to-back cycle enable (read/write, default=0)	
	bit 15-10: reserved	
7,6	Status register (or IDX06<15:0>)	
	bit 0-6: reserved	
	bit 7: fast back-to-back: reserved	
	bit 8: data parity detected: reserved	
	bit 9-10: DEVSEL# timing: reserved	
	bit 11: signalled target abort: reserved	
	bit 12: received target abort (read only, write one to clear)	
	bit 13: signalled master abort: reserved	
	bit 14: signalled system error: reserved	
	bit 15: detected parity error (write only, write one to clear)	
08	Revision I.D. = 00h	
09	Program Interface = 00h	
0a	Sub class code = 00h	
0b	Class code = 06h	
0c	Reserved	
0d	Latency Timer	Default = 00

bit 2:0: reserved
bit 7-3: guarantee time slice for CPU

0e Header Type Default = 00
0f BIST(Read Only)
10-3f Reserved

Cache Control

50 Cache Control Register 1 Default = 00
bit 7-6: Cache Enable
Bit 7 Bit6
0 0 - Cache disable
0 1 - Cache Init - always does L2 fill
1 0 - Cache enable (normal operation)
1 1 - Reserved
bit 5: Enable/Disable Linear Busrt (1/0)
bit 4-3: Tag Configuration
Bit 4 Bit 3
0 0 - 8 Tags, no alt
0 1 - 7 Tags, alt
1 0 - 8 Tags, alt
1 1 - 10 Tags, alt
bit 2: BWE/GWE BSRAM Interface is used Enable/Disable (1/0)
bit 1-0: SRAM Type RBSRAMT<1:0>
Bit 1 Bit 0
0 0 - No SRAM
0 1 - Async SRAM
1 0 - Burst SRAM
1 1 - Pipeline Burst SRAM

51 Cache Control Register 2 Default = 00
bit 7: Read 1st dword wait state
0 : 0 WS (3-x-x-x)
1 : 1 WS (4-x-x-x)
bit 6: Read burst wait state
0 : 0 WS (x-2-2-2)
1 : 1 WS (x-3-3-3)
Note: Bit 7 and 6 are for Async. SRAM only. The Sync. SRAM will always run at 3-1-1-1 for both read-hit and write-hit
bit 5: Backoff CPU if no streaming fill Enable/Disable (1/0)
e.g. C/F or single read fill
bit 4: Reserved
bit 3: SRAM Banks
0 : 1 Bank
1 : 2 Banks
bit 2: Reserved
bit 1-0: Cache Size
Bit 1 Bit 0
0 0 256K
0 1 512K
1 0 1M

	1	1	2M	
52	Non-Cachable Control			Default = 02
bit 7:	C0000-C7FFF Cachable/Write-Protect			
bit 6:	D0000-DFFFF Cachable/Write-Protect			
bit 5:	E0000-FFFFF Cachable/Write-Protect			
bit 4:	F0000-FFFFF Cachable/Write-Protect			
bit 3:	Allow Write-protect cached into L1			
bit 2:	Enable L2 fill even CACHE is inactive			
bit 1:	L1 Write Back/Write-Thru			
	1	: write-back		
	0	: write-thru		
bit 0:	L2 Write Back/Write-Thru			
	1	: write-thru		
	0	: write-back		
53	Misc. Control			Default = 00
bit 7:	Read around Write Enable/Disable (1/0)			
bit 6:	Cache read pipeline cycle Enable/Disable (1/0)			
bit 5:	Write pipeline cycle Enable/Disable (1/0)			
bit 4:	Dram pipeline cycle Enable/Disable (1/0)			
bit 3:	PCI master Peer Concurrency Enable/Disable (1/0)			
bit 2-0:	Reserved			
54-55	Non-Cachable Region #1			Default = 00
bit 15-3:	Base address - A<28:16>			
bit 2-0:	Range			
	Bit 2	Bit 1	Bit0	
	0	0	0	disable
	0	0	1	64K
	0	1	0	128K
	0	1	1	256K
	1	0	0	512K
	1	0	1	1M
	1	1	0	2M
	1	1	1	4M
56-57	Non-Cachable Region #2			Default = 00

DRAM Control

58	DRAM Configuration			Default = 40
bit 7-5:	Bank 0/1 MA Map Type			
	Bit 7	Bit 6	Bit5	
	0	0	0	8-bit
	0	0	1	9-bit
	0	1	0	10-bit
	0	1	1	11-bit (note : 11-bit/12-bit has same decoding)
				(see ma map)
	1	x	x	reserved
bit 4:	Reserved			
bit3-1:	Bank 2/3 MA Map Type			
bit 0:	Reserved			

59 DRAM Configuration Default = 05
 bit 7-5: Bank 4/5 MA Map Type
 bit 4-3: Reserved
 bit 2-0: Last Bank Dram populated

Bit 2	Bit 1	Bit0	
0	0	0	bank 0
0	0	1	bank 1
0	1	0	bank 2
0	1	1	bank 3
1	0	0	bank 4
1	0	1	bank 5
1	1	x	reserved

5a-5f >>> DRAM ROW ENDING ADDRESS <<<

5a Bank0 ending (CA[29:22]) Default = 01

5b Bank1 ending (CA[29:22]) Default = 01

5c Bank2 ending (CA[29:22]) Default = 01

5d Bank3 ending (CA[29:22]) Default = 01

5e Bank4 ending (CA[29:22]) Default = 01

5f Bank5 ending (CA[29:22]) Default = 01

note : BIOS is required to fill ending for all banks even no memory is populated. The bank ending has to be in the incremental order

60 DRAM Type Default = 00
 bit 7-6: Reserved
 bit 5-4: DRAM type for Bank 4/5

Bit 5	Bit 4	
0	0	Fast Page Mode
0	1	EDO
1	0	Burst EDO
1	1	SDRAM

bit 3-2: DRAM type for Bank 2/3
 bit 1-0: DRAM type for Bank 0/1

61 Shadow RAM Control - C0000-CFFFF Default = 00
 bit 7-6: CC000h-CFFFFh

0	0	read/write disable
0	1	write enable
1	0	read enable
1	1	read/write enable

bit 5-4: C8000H-CBFFFh
 bit 3-2: C4000h-C7FFFh
 bit 1-0: C0000H-C3FFFh

- 62 Shadow RAM Control - D0000-DFFFF Default = 00
bit 7-6: DC000h-DFFFFh
bit 5-4: D8000H-DBFFFh
bit 3-2: D4000h-D7FFFh
bit 1-0: D0000H-D3FFFh
- 63 Shadow RAM Control - E0000-FFFFF Default = 00
bit 7-6: E0000h-EFFFFh
bit 5-4: F0000h-FFFFFh
bit 3-2: Memory Holes
Bit 3 Bit 2
0 0 None
0 1 512K-640K
1 0 15M-16M (1M)
1 1 14M-16M (2M)
bit 1: SMI redirect to a0000h-bffffh Enable/Disable (1/0)
bit 0: Enable/Disable a0000h-bffffh read/write to DRAM (1/0)
- 64 DRAM Timing Default = AB
bit 7-6: RAS precharge time
Bit 7 Bit 6
0 0 2T
0 1 3T
1 0 4T
1 1 6T
bit 5-4: RAS pulse width
Bit 5 Bit 4
0 0 3T
0 1 4T
1 0 5T
1 1 6T
bit 3-2: CAS pulse width
Bit 3 Bit 2
0 0 1T
0 1 2T
1 0 3T
1 1 4T
bit 1: Write pulse width
0 1T
1 2T
bit 0: RAS to CAS delay
0 2T
1 3T
note : Must set to 1 for FPG or EDO DRAM for 60 or 66Mhz
- 65 DRAM Control Default = 00
bit 7-6: Dram page mode control
Bit 7 Bit 6
0 0 Page close after each access
0 1 reserved
1 0 Page stays open after access
1 1 Page close, if next pipeline access pending is offpage
bit 5: Fast DRAM decoding Enable/Disable (1/0)

- bit 4: Reduce DRAM leadoff cycle by 1T Enable/Disable (1/0)
note : this option is only allowed for BEDO and EDO
- bit 3: Reserved
- bit 2: 32-bit DRAM control use TA9 Enable/Disable (1/0) (PLINK0 Strapping)
- bit 1: Fast EDO/BEDO access Enable/Disable (1/0)
Note: for 50Mhz bus speed only
- bit 0: Delay DRAM read cycle 1T when Write-Buffer is not empty Enable/Disable (1/0)

- 66 BEDO/EDO Control Default = 00
 - bit 7: EDO test mode Enable/Disable (1/0)
 - bit 6: BEDO programming mode Enable/Disable (1/0)
 - bit 5: BEDO cycle latency Enable/Disable (1/0)
 - bit 4-3: Reserved
 - bit 2: 1ws for MD to CD pop Enable/Disable (1/0)
 - bit 1: Reduce BEDO RAS precharge time by 1T Enable/Disable(1/0)
 - bit 0: BEDO RAS to CAS Delay at 2T Enable/Disable(1/0)
note: This bit overwrites RX64 bit 0 for BEDO

- 67 32-bit DRAM width
 - bit 7-6: Reserved
 - bit 5: Bank 5 width : 1: 32-bit, 0 : 64 bit
 - bit 4: Bank 4 width : 1: 32-bit, 0 : 64 bit
 - bit 3: Bank 3 width : 1: 32-bit, 0 : 64 bit
 - bit 2: Bank 2 width : 1: 32-bit, 0 : 64 bit
 - bit 1: Bank 1 width : 1: 32-bit, 0 : 64 bit
 - bit 0: Bank 0 width : 1: 32-bit, 0 : 64 bit

- 68 UMA Control Register 1 Default = 00
 - bit 7: Arbitration Mechanism
0 - 2-pin
1 - 3-pin
 - bit 6: Arbitration Synchronous
0 - Synchronous
1 - Asynchronous
 - bit 5: Enable/Disable direct frame-buffer access (1/0) **LFBAC**
* LFBAC=1 will direct cpu access in [LFBA,LFBA+UFBSZ-1]
range to last dram bank defined in LSTBK[2:0]
 - bit 4: Enable/Disable Unified Frame Buffer (1/0) **UFBON**
* UFBON will forward cpu access in [ENDxA,ENDxA-UFBSZ] to pci
 - bit 3: Reserved
 - bit 2: RAS# driven active after MGNT# deassertion
0 1T
1 2T

 - bit 1: MREQ1 polarity
0 active low
1 active high
 - bit 0: Invert A22 for 12MB DRAM
0 : not inverted
1 : inverted

- 69 UMA Control Register 2 Default = 00
 - bit 7-3: Frame buffer base for direct access, CA[31:27]

bit 2-0: Unified Frame buffer size

Bit 2	Bit 1	Bit0	
0	0	0	512K
0	0	1	1M
0	1	0	1.5M
0	1	1	2M
1	0	0	2.5M
1	0	1	3M
1	1	0	3.5M
1	1	1	4M

6a Refresh Control Default = 00

bit 7-0: Refresh Counter (in unit of 16 CPUCLK)
note: When set to 00, DRAM refresh is diable

6b Misc. Default = 00

bit 7: CBR(CAS-before-RAS) refresh Enable/Disable(1/0)

bit 6: Burst Refresh (burst 4 times) Enable/Disable (1/0)

bit 5-0: Reserved

6c SDRAM control (revision I.D. ≥ 10)

bit 7: Reserved

bit 6: SDRAM burst write

bit 5: MA11 bank interleave enable

bit 4: SDRAM turbo mode
allow continuous burst at 1-1-1-1 rate

bit 3: SDRAM CAS latency
1 : cycle latency is 2
0 : cycle latency is 3

bit 2-0: SDRAM operation Mode select

000 : Normal SDRAM mode (default)

001 : NOP command enable.

010 : All Banks Precharge command enable.
CPU to DRAM cycles are converted to all banks precharge command

011 : CPU to DRAM cycle converted to commands, the command is driven on MA[11:0]. The BIOS selects an appropriate host address for each row of memory such that the right commands are generated on MA[11:0]

100 : CBR Cycle enable

101/11x : reserved

6d DRAM control drive strength (revision I.D.≥ 10)

bit 7: bank decoding test

bit 6: RAS precharge 2T when DRAM bank switch

bit 5: CAS precharge 2T for DRAM burst write

bit 4: Force SMM mode

bit 3: SDRAM control drive (0/1 : 12/24ma)

bit 2: MA/WE drive (0/1 : 12/24ma)

bit 1: CAS drive (0/1 : 8/12ma)

bit 0: RAS drive (0/1 : 12/24)

6e-6f Reserved

PCI Bus Control

- 70 PCI Buffer Control Default = 00
bit 7: CPU to PCI post-write Enable/Disable (1/0)
bit 6: PCI master to DRAM post-write Enable/Disable (1/0)
bit 5: PCI master to DRAM prefetch Enable/Disable (1/0)
bit 4-1: Reserved (all 0)
bit 0: Delay transaction optimization Enable/Disable (0/1)
- 71 CPU to PCI flow control 1 Default = 00
bit 7: Dynamic burst Enable/Disable (1/0)
bit 6: Byte merge Enable/Disable (1/0)
bit 5: Reserved (all 0)
bit 4: PCI IO cycle post write Enable/Disable (1/0)
bit 3: PCI burst Enable/Disable (1/0)
 bit7=1 will override this option
bit 2: PCI side fast back to back write Enable/Disable (1/0)
bit 1: Quick frame generation Enable/Disable (1/0)
bit 0: 1 wait state pci cycle Enable/Disable (1/0)
- 72 CPU to PCI flow control 2 Default = 00
bit 7: Retry status over 16/64 times
 0 - No retry occurred
 1 - retry occurred (write 1 to clear)
bit 6: Retry timeout action
 0 - no action taken except record status
 (retry forever)
 1 - take action to flush buffer or
 return FFFFFFFF for read
bit 5-4: Retry control
 Bit 5 Bit 4
 0 0 retry 2 times, back off CPU
 0 1 retry 16 times
 1 0 retry 4 times, back off CPU
 1 1 retry 64 times
bit 3: When the data is posting and retry fail, pop the failed data out, and
 keep posting if there is any, Enable/Disable (1/0).
bit 2: Backoff CPU when read data from pci and retry fail Enable/Disable (1/0)
bit 1-0: Reserved
- 73 PCI master control 1 Default = 00
bit 7: Local memory decoding
 0 - fast (address phase)
 1 - medium (1st data phase)
bit 6: PCI master 1 wait state write
 0 - Zero wait state TRDY
 1 - One wait state TRDY response
bit 5: PCI master 1 wait state read
 0 - Zero wait state TRDY response
 1 - One wait state TRDY response
bit 4: Reserved (all 0)
bit 3: Assert STOP after PCI master write timeout Enable/Disable (1/0)
bit 2: Assert STOP after PCI master read timeout Enable/Disable (1/0)
bit 1: LOCK function Enable/Disable (1/0)
bit 0: PCI master broken timer enable

Force into arbitration when there is no FRAME 16 PCICLK after the GRANT.

- 74 PCI master control 2 Default = 00
 bit 7: PCI Enhance command support Enable/Disable (1/0)
 bit 6: PCI master single write merge Enable/Disable (1/0)
 bit 5-0: Reserved
- 75 PCI arbitration Default = 00
 bit 7: Arbitration Mechanism
 0 - PCI has priority
 1 - Fair arbitration between pci and cpu
 bit 6: Arbitration Mode
 0 - REQ-based (arbitrate at end of REQ)
 1 - Frame-based (arbitrate at end of each FRAME)
 bit 5-4: Reserved
 bit 3-0: PCI master bus time-out (force into arbitration after certain period of time)
- | Bit 3 | Bit 2 | Bit 1 | Bit 0 | |
|-------|-------|-------|-------|--------------|
| 0 | 0 | 0 | 0 | disable |
| 0 | 0 | 0 | 1 | 1x32 PCICLK |
| 0 | 0 | 1 | 0 | 2x32 PCICLK |
| | | | | |
| 1 | 1 | 1 | 1 | 15x32 PCICLK |
- 76 Extension (revision I.D. ≥ 10) Default = 00
 bit 7: CPU arbitration mode
 0 - CPU is granted between 3 PCI master
 1 - CPU is granted between 2 PCI master
 bit 6: Reserved
 bit 5-4: CPU fair arbitration in FRAME# based arbitration (revision I.D. ≥ 10)
 00 - disable
 01 - every 1 PCI master will grant to CPU
 10 - every 2 PCI master will grant to CPU
 11 - every 3 PCI master will grant to CPU
 bit 3-1: Reserved (all 0)
 bit 0: Type of the configuration
 0 - Mechanism #1, use CF8/CFC
 1 - Mechanism #2, use C0xx

VT82C586

All registers are located in the PCI configuration space. They should be programmed using PCI configuration mechanism 1 through CF8/CFC.

Offset	Function
1,0	Vendor ID = 1106h (read only)
3,2	Device ID = 0586h (read only)
5,4	Command register
	bit 15-4: reserved
	bit 3: special cycle enable
	bit 2: bus master = 1 (read only)
	bit 1: memory space = 1 (read only)
	bit 0: IO space = 1 (read only)
7,6	Status register
	bit 15: detected parity error (write only, write one to clear)
	bit 14: signalled system error (read only)
	bit 13: signalled master abort (read only)
	bit 12: received target abort (read only, write one to clear)
	bit 11: signalled target abort: reserved
	bit 10-9: DEVSEL# timing: fixed to 01
	bit 8: data parity detected: reserved
	bit 7: fast back-to-back: reserved
	bit 6-0: Reserved
08	Revision I.D. = 00h
09	Program Interface = 00h
0a	Sub class code = 01h
0b	Class code = 06h
0c	Reserved
0d	Reserved
0e	Header Type - Multifunction device (Read only) Default = 80
0f	BIST(Read Only)

ISA Bus Control

40	ISA bus control Default = 00
	bit 7: Extra/normal ISA command delay (1/0)
	bit 6: Enable/disable SRDY delay (1/0)
	bit 5: 5/4 ISA slave wait state (1/0)
	bit 4: 4/2 chip-set IO wait state (1/0)
	bit 3: Enable/disable I/O recovery time (1/0)
	bit 2: Enable/disable extend-ALE (1/0)

- bit 1: 0/1 ROM wait state (1/0)
- bit 0: Enable/disable ROM write (1/0)

- 41 Refresh and Port 92 Default = 00
 - bit 7: Disable/enable bus refresh arbitration (1/0)
 - bit 6: Reserved
 - bit 5: Enable/disable Port 92 fast reset (1/0)
 - bit 4: Reserved
 - bit 3: Enable/disable double DMA clock (1/0)
 - bit 2: Reserved
 - bit 1: Enable/disable refresh request test mode (1/0)
 - bit 0: Reserved

- 42 ISA clock control/Misc. Default = 00
 - bit 7: Disable/enable latch IO16# (1/0)
 - bit 6: Enable/disable MS16 output (1/0)
 - bit 5: Enable/disable master request test mode (1/0)
 - bit 4: Enable/disable turbo pin (1/0)
 - bit 3: Enable/disable ISA CLOCK from the following selections (1/0)
if disable, ISA CLOCK = PCICLK/4
 - bit 2-0: AT BUS CLOCK select

Bit 2	Bit 1	Bit 0	
0	0	0	PCICLK/3
0	0	1	PCICLK/2
0	1	0	PCICLK/4
0	1	1	PCICLK/6
1	0	0	PCICLK/5
1	0	1	PCICLK/10
1	1	0	PCICLK/12
1	1	1	OSC/2

- Note: Procedure for ISA CLOCK switching
 1. Set bit 3 to 0
 2. Change value of bit 2-0
 3. Set bit 3 to 1

- 43 ROM decoding control Default = 00
 - bit 7-6: Reserved
 - bit 5: Include E8000H-EFFFFH into ROMCS decode Enable/Disable (1/0)
 - bit 4: Include E0000H-E7FFFH into ROMCS decode Enable/Disable (1/0)
 - bit 3: Include D8000H-DFFFFH into ROMCS decode Enable/Disable (1/0)
 - bit 2: Include D0000H-D7FFFH into ROMCS decode Enable/Disable (1/0)
 - bit 1: Include C8000H-CFFFFH into ROMCS decode Enable/Disable (1/0)
 - bit 0: Include C0000H-C7FFFH into ROMCS decode Enable/Disable (1/0)

- 44 Keyboard Controller control Default = 00
 - bit 7-3: Reserved (for internal test only)
 - bit 2: RKBLOCK
 - bit 1: AOEN disable/enable PS2 mouse
 - bit 0: Reserved

- 45 Type F DMA control Default = 00

- bit 7: Enable/disable ISA Master/DMA to PCI line buffer (1/0)
- bit 6: Enable/Disable DMA type F timing on channel 7 (1/0)
- bit 5: Enable/Disable DMA type F timing on channel 6 (1/0)
- bit 4: Enable/Disable DMA type F timing on channel 5 (1/0)
- bit 3: Enable/Disable DMA type F timing on channel 3 (1/0)
- bit 2: Enable/Disable DMA type F timing on channel 2 (1/0)
- bit 1: Enable/Disable DMA type F timing on channel 1 (1/0)
- bit 0: Enable/Disable DMA type F timing on channel 0 (1/0)

- 47 Misc. control Default = 00
 - bit 7: 1 to enable CPU software RESET (INIT)
 - bit 6: Enable/Disable PCI delay transaction (1/0)
 - bit 5: Enable/Disable EISA 4D0/4D1 port
 - bit 4-1: Reserved
 - bit 0: Software PCI reset (write 1 to generate PCI reset)

- 4a IDE interrupt routing Default = 04
 - bit 7: Reserved
 - bit 6: Put IO device below 100h to SD Enable/Disable (1/0)
 - bit 5-4: Reserved
 - bit 3-2: IDE second channel IRQ routing Default = 01 (IRQ15)

Bit 3	Bit 2	
0	0	IRQ14
0	1	IRQ15
1	0	IRQ10
1	1	IRQ11
 - bit 1-0: IDE primary channel IRQ routing Default = 00 (IRQ14)

Bit 1	Bit 0	
0	0	IRQ14
0	1	IRQ15
1	0	IRQ10
1	1	IRQ11

- 4b Reserved

- 4c ISA DMA/Master memory access control 1 Default = 00
 - bit 7-0: PCI memory hole bottom address, CA[23:16]

- 4d ISA DMA/Master memory access control 2 Default = 00
 - bit 7-0: PCI memory hole top address, CA[23:16]

- Note: Access to the memory defined in the PCI memory hole will not be forwarded to PCI. This function is disable if top address is not greater than the bottom address.

- 4e ISA DMA/Master memory access control 3 Default = 00
 - bit 7: Enable/Disable forwarding DC000-DFFFF access to PCI (1/0)
 - bit 6: Enable/Disable forwarding D8000-DBFFF access to PCI (1/0)
 - bit 5: Enable/Disable forwarding D4000-D7FFF access to PCI (1/0)
 - bit 4: Enable/Disable forwarding D0000-D3FFF access to PCI (1/0)
 - bit 3: Enable/Disable forwarding CC000-DFFFF access to PCI (1/0)
 - bit 2: Enable/Disable forwarding C8000-CBFFF access to PCI (1/0)
 - bit 1: Enable/Disable forwarding C4000-C7FFF access to PCI (1/0)
 - bit 0: Enable/Disable forwarding C0000-C3FFF access to PCI (1/0)

4f	ISA DMA/Master memory access control	4	Default = 03		
bit 7-4:	Top of memory in PCI side				
	Bit 7	Bit 6	Bit 5	Bit 4	
	0	0	0	0	1M
	0	0	0	1	2M
	0	0	1	0	3M
				
	1	1	1	1	16M
	Note: All ISA DMA/Master that access address range higher than the top-of-PCI memory will not be directed to the PCI bus.				
bit 3:	Enable/Disable forwarding E0000-EFFFF access to PCI (1/0)				
bit 2:	Enable/Disable forwarding A0000-AFFFF access to PCI (1/0)				
bit 1:	Enable/Disable forwarding 80000-9FFFF access to PCI (1/0)				
bit 0:	Enable/Disable forwarding 00000-7FFFF access to PCI (1/0)				

Plug and Play Control

50	PNP DRQ routing	Default = 24			
bit 7-6:	Reserved				
bit 5-3:	MDRQ1 routing				
	Bit 5	Bit 4	Bit3		
	0	0	0	DRQ0	
	0	0	1	DRQ1	
	0	1	0	DRQ2	
	0	1	1	DRQ3	
	1	0	0	Disable	
	1	0	1	DRQ5	
	1	1	0	DRQ6	
	1	1	1	DRQ7	
bit 2-0:	MDRQ0 routing Same as MDRQ1 routing				
51-53	Reserved				
54	PCI Interrupt polarity	Default = 00			
bit 7-4:	Reserved				
bit 3:	PIRQA# invert (edge) / non-invert (level) (1/0)				
bit 2:	PIRQB# invert (edge) / non-invert (level) (1/0)				
bit 1:	PIRQC# invert (edge) / non-invert (level) (1/0)				
bit 0:	PIRQD# invert (edge) / non-invert (level) (1/0)				
55	PNP IRQ routing 1	Default = 00			
bit 7-4:	PIRQD# routing				
	Bit 7	Bit 5	Bit 4	Bit 3	
	0	0	0	0	reserved
	0	0	0	1	IRQ1
	0	0	1	0	reserved
	0	0	1	1	IRQ3
	0	1	0	0	IRQ4
	0	1	0	1	IRQ5
	0	1	1	0	IRQ6
	0	1	1	1	IRQ7
	1	0	0	0	reserved
	1	0	0	1	IRQ9

	1	0	1	0	IRQ10
	1	0	1	1	IRQ11
	1	1	0	0	IRQ12
	1	1	0	1	reserved
	1	1	1	0	IRQ14
	1	1	1	1	IRQ15
bit 3-0:	MIRQ0 routing Same as PIRQD# routing				
56	PNP IRQ routing 2 Default = 00				
bit 7-4:	PIRQA# routing Same as PIRQD# routing				
bit 3-0:	PIRQB# routing Same as PIRQD# routing				
57	PNP IRQ routing 3 Default = 00				
bit 7-4:	PIRQC# routing Same as PIRQD# routing				
bit 3-0:	MIRQ1 routing Same as PIRQD# routing				

Power Management

80	Primary Activity Detector Enable (1/0 : enable/disable) Default = 00	
bit 7:	KBC access enable (Port 60)	
bit 6:	Serial port access enable (COM1, COM2, COM3, COM4)	
bit 5:	Parallel port access enable (278-27F, 378-37F)	
bit 4:	Video IO/memory port enable (3B0-3DF, Memory A and B segments)	
bit 3:	DRV (HDD/FLOPPY) status (1F0-1F7, 170-177, 3F5)	
bit 2:	Turbo pin toggle enable	
bit 1:	Primary INTR activity enable	
bit 0:	DMA/master activity enable	
81	Reserved	
82	Primary Activity Detector Status (write 1 to clear)	
bit 7:	KBC access status	
bit 6:	Serial port access status	
bit 5:	Parallel port access status	
bit 4:	Video IO/memory port status	
bit 3:	DRV (HDD/FLOPPY) status	
bit 2:	Turbo pin toggle status	
bit 1:	Primary INTR activity status	
bit 0:	DMA/Master activity status	
83	Reserved	
84	SMI Events Enable 1(1/0: enable/disable trigger SMI) Default = 00	
bit 7:	EXTSMI3 pin toggle enable SMI	
bit 6:	EXTSMI2 pin toggle enable SMI	
bit 5:	Second event timer time-out enable SMI	
bit 4:	GP1 timer time out enable SMI	
bit 3:	GP0 timer time out enable SMI	
bit 2:	Primary activity enable SMI	

- bit 1: External SMI pin toggle enable SMI
- bit 0: Trigger software SMI (write 1 to trigger)

- 85 SMI Events Enable 2(1/0: enable/disable trigger SMI) Default = 00
 - bit 7-4: Reserved
 - bit 3: EXTSMI7 pin toggle enable SMI
 - bit 2: EXTSMI6 pin toggle enable SMI
 - bit 1: EXTSMI5 pin toggle enable SMI
 - bit 0: EXTSMI4 pin toggle enable SMI

- 86 SMI Status 1 (write 1 to clear)
 - bit 7: External SMI3 pin toggle SMI
 - bit 6: External SMI2 pin toggle SMI
 - bit 5: Second event timer time-out SMI
 - bit 4: GP1 timer time out SMI
 - bit 3: GP0 timer time out SMI
 - bit 2: Primary activity SMI
 - bit 1: External SMI pin toggle SMI
 - bit 0: Software SMI

- 87 SMI Status 2 (write 1 to clear)
 - bit 7-4: Reserved
 - bit 3: External SMI7 pin toggle SMI
 - bit 2: External SMI6 pin toggle SMI
 - bit 1: External SMI5 pin toggle SMI
 - bit 0: External SMI4 pin toggle SMI

- 88 Timer Control 1 Default = 00
 - bit 7: Enable/disable GP1 (1/0)
 - bit 6: Enable/disable GP1 auto reload after count to 0 (1/0)
 - bit 5-4: GP1 Timer select/enable

Bit 1	Bit 0	
0	0	Disable
0	1	Time base = 10 ms
1	0	Time base = 1 sec
1	1	Time base = 1 min.
 - bit 3: Enable/disable GP0 (1/0)
 - bit 2: Enable/disable GP0 auto reload after count to 0 (1/0)
 - bit 1-0: GP0 Timer select/enable

Bit 1	Bit 0	
0	0	Disable
0	1	Time base = 10 ms
1	0	Time base = 1 sec
1	1	Time base = 1 min.

- 89 Timer Control 2 Default = 00
 - bit 7-0: GP0 Timer load value

- 8a Timer Control 3 Default = 00
 - bit 7-0: GP1 Timer load value

- 8b Timer control 4 Default = 00
 - bit 7-6: Reserved
 - bit 5: Reserved (for internal test)

- bit 4: Enable/disable GP0 timer reload by primary activity (1/0)
- bit 3: Enable/disable GP1 timer reload by DRV (HDD/FLOPPY) access (1/0)
- bit 2: Enable/disable GP1 timer reload by Video access (1/0)
- bit 1: Enable/disable GP1 timer reload by serial port access (1/0)
- bit 0: Enable /disableGP1 timer reload by KBC access (1/0)

8c Conserve mode / Secondary event Default = 00

bit 7-6: Conserve mode clock select

Bit 7	Bit 6	
0	0	1/16 sec
0	1	1/8 sec
1	0	1 sec
1	1	1 min.

bit 5: Conserve mode indicator (read only)

bit 4: Conserve mode enable/disable (1/0)

bit 3-2: Secondary event activity timer

Bit 3	Bit 2	
0	0	4 ms
0	1	128 ms
1	0	1 sec
1	1	by EOI + 0.5 ms

bit 1: Secondary event indicator (read only)

bit 0: Secondary activity enable/disable (1/0)

8d Misc. control Default = 00

bit 7: Enable SMI only at SMI inactive enable/disable (1/0)

bit 6: Wait for STPCLK acknowledge enable/disable (1/0)

bit 5: Wait for HALT before STPCLK# asserted enable/disable (1/0)

bit 4: STPCLK# Throttling time base

0 - 32 us

1 - 1 ms

bit 3: Enable/disable STPCLK# Throttling (1/0)

bit 2: Put cpu into suspend mode by STPCLK enable/disable (1/0)

bit 1: Enable/disable internal SMI connect to IRQn (1/0)

bit 0: Global SMI enable/disable (1/0)

8e STPCLK# duty cycle Default = 00

bit 7-4: Reserved

bit 3-0: STPCLK# duty cycle

Bit 3	Bit 2	Bit 1	Bit 0	
0	0	0	0	disable
0	0	0	1	1/16
0	0	1	0	2/16
0	0	1	1	3/16
0	1	0	0	4/16
0	1	0	1	5/16
0	1	1	0	6/16
0	1	1	1	7/16
1	0	0	0	8/16
1	0	0	1	9/16
1	0	1	0	10/16
1	0	1	1	11/16
1	1	0	0	12/16
1	1	0	1	13/16

	1	1	1	0	14/16
	1	1	1	1	15/16
90	ISA interrupt as primary event enable/disable (1/0)				Default = 00
bit 7:	IRQ7				
bit 6:	IRQ6				
bit 5:	IRQ5				
bit 4:	IRQ4				
bit 3:	IRQ3				
bit 2:	IRQ2				
bit 1:	IRQ1				
bit 0:	IRQ0				
91	ISA interrupt as primary event enable/disable (1/0)				Default = 00
bit 7:	IRQ15				
bit 6:	IRQ14				
bit 5:	IRQ13				
bit 4:	IRQ12				
bit 3:	IRQ11				
bit 2:	IRQ10				
bit 1:	IRQ9				
bit 0:	IRQ8				
92	ISA interrupt as secondary event enable/disable (1/0)				Default = 00
bit 7:	IRQ7				
bit 6:	IRQ6				
bit 5:	IRQ5				
bit 4:	IRQ4				
bit 3:	IRQ3				
bit 2:	IRQ2				
bit 1:	IRQ1				
bit 0:	IRQ0				
93	ISA interrupt as secondary event enable/disable (1/0)				Default = 00
bit 7:	IRQ15				
bit 6:	IRQ14				
bit 5:	IRQ13				
bit 4:	IRQ12				
bit 3:	IRQ11				
bit 2:	IRQ10				
bit 1:	IRQ9				
bit 0:	IRQ8				
94	External pin status (read only)				
bit 7:	EXTSMI7 pin status				
bit 6:	EXTSMI6 pin status				
bit 5:	EXTSMI5 pin status				
bit 4:	EXTSMI4 pin status				
bit 3:	EXTSMI3 pin status				
bit 2:	EXTSMI2 pin status				
bit 1:	EXTSMI pin status				
bit 0:	TURBO pin status				
95	Power-up strap option 1 (read only)				

bit 7:	Keyboard RP16
bit 6:	Keyboard RP15
bit 5:	Keyboard RP14
bit 4:	Keyboard RP13
bit 3:	PISA/SIO (0/1)
bit 2:	Disable/enable internal RTC (0/1)
bit 1:	Disable/enable internal PS2 (0/1)
bit 0:	Disable/enable internal keyboard controller
96	Power-up strap option 2(read only)
bit 7:	DACK7
bit 6:	DACK6
bit 5:	DACK5
bit 4:	DACK3
bit 3:	DACK2
bit 2:	DACK1
bit 1:	Disable/enable External SMI2-7 (0/1)
bit 0:	Fixed/Flexible IDE address (0/1)

Register Accessed using A8/A9

RXC8h:	General purpose output port 1 (controlled by PCW0)
bit 7:	SD15
bit 6:	SD14
bit 5:	SD13
bit 4:	SD12
bit 3:	SD11
bit 2:	SD10
bit 1:	SD9
bit 0:	SD8

RXC9h:	General purpose output port 1 (controlled by PCW1)
bit 7:	SD15
bit 6:	SD14
bit 5:	SD13
bit 4:	SD12
bit 3:	SD11
bit 2:	SD10
bit 1:	SD9
bit 0:	SD8

Shadow Register for Interrupt Controllers

After RX47 bit 4 is set, the reading data from INTC as:

IOR 20h	Shadow of master interrupt controller
bit 7-5:	Reserved
bit 4:	OCW3 bit 5
bit 3:	OCW2 bit 7
bit 2:	ICW4 bit 4
bit 1:	ICW4 bit 1
bit 0:	ICW1 bit 3

IOR 21h	Shadow of master interrupt controller
bit 7-5:	Reserved
bit 4-0:	T7-T3 of interrupt vector address

IOR A0h Shadow of slave interrupt controller
bit 7-5: Reserved
bit 4: OCW3 bit 5
bit 3: OCW2 bit 7
bit 2: ICW4 bit 4
bit 1: ICW4 bit 1
bit 0: ICW1 bit 3

IOR A1h Shadow of slave interrupt controller
bit 7-5: Reserved
bit4-0: T7-T3 of interrupt vector address

IDE Controller

Offset	Function
1-0	Vendor ID : 1106h
3-2	Device ID : 1571h
5-4	Command
	bit 15-10: Reserved
	bit 9: Fast back to back cycles, default: disabled
	bit 8: SERR# enable, default: disabled
	bit 7: (address stepping), default: enabled
	bit 6: Parity error response, default: disabled
	bit 5: Fixed at 0 (VGA palette snoop)
	bit 4: Fixed at 0 (memory write and invalidate)
	bit 3: Fixed at 0 (special cycles)
	bit 2: Bus master, default: disabled S/G operation can be issued only when bus master is enabled.
	bit 1: Memory space, default: disabled
	bit 0: I/O space, default: disabled Memory map I/O operation: when I/O space is disabled, the device will not respond to any I/O address for both compatible and native mode and will tristate its interrupt output (ie, /IRQ15/INTA#/INTB#).
7-6	Status
	bit 15: Detected parity error
	bit 14: Signalled system error
	bit 13: Received master abort
	bit 12: Received target abort
	bit 11: Fixed at 0 (signalled target abort)
	bit 10-9: DEVSEL# timing, default : medium(01)
	bit 8: Data parity detected
	bit 7: Fixed at 0 (fast back to back)
	bit 6-0: Reserved
8	Revision ID.
9	Programming interface
	bit 7: Master IDE capability supported, fixed to 1
	bit 6-4: Fixed at 0
	bit 3: Fixed at 1
	bit 2: Secondary channel mode indicator, default: strapped from pin SPKR
	bit 1: Fixed at 1
	bit 0: Primary channel mode indicator, default: strapped from pin SPKR
b-a	Base class and sub-class code: 0101h
c	Fixed at 0
d	Latency timer
e	Fixed at 80h
f	Fixed at 0

- 13-10 Primary data/command base address an 8 byte IO address space, default=1F0h
bit 31-16: Reserved, must be 0
bit 15-3: Port address
bit 2-0: 001b
- 17-14 Primary control/status base address a 4 byte IO space, default 3F4h (only the third byte is active, ie: 3F6h)
bit 31-16: must be 0
bit 15-2: port address
bit 1-0: 01b
- 1b-18 Secondary data/command base address, default: 170h
- 1f-1c Secondary control/status base address, default 374h
- 23-20 Base address for bus master control registers a 16 byte IO address space, detailed in the previous section
bit 31-16: must be 0
bit 15-4: port address
bit 3-0: 0001b
- 27-24 Memory base address (8KB) for memory mapped I/O of the two channels
bit 31-13: port address
bit 12-0: must be 0
- 3c Interrupt line Default = 0Eh
- 3d Interrupt pin (read only)
01h for native mode interrupt routing,
00h for legacy mode interrupt routing.
- 3e Min_gnt
- 3f Max_lat
- 40 Chip enable register
bit 7-4: Chip ID (read only): inverted from the strapped value of DCS3A#, DCS1A#, DCS3B# and DCS1B# (00h-0Fh)
bit 3-2: Reserved
bit 1: Primary channel enable/disable (1/0), default = 0
bit 0: Secondary channel enable/disable (1/0), default = 0
- 41 IDE configuration Default = 00
bit 7: Primary IDE read prefetch buffer enable/disable (1/0)
bit 6: Primary IDE post write buffer enable/disable (1/0)
bit 5: Secondary IDE read prefetch buffer enable/disable (1/0)
bit 4: Secondary IDE post write buffer enable/disable (1/0)
bit 3: Status for PERR# response enable/disable (1/0)
bit 2: Alternative native secondary channel interrupt enable/disable (1/0)
bit 1: DCS16# source:
1: Decode from BE[3:0]#
0: From input pin DCS16#
bit 0: Status for SERR# response enable/disable (1/0), default: disabled

- 42 Misc. control
- bit 7: Native/compatible IO base for the primary channel (default: DA1)
 1: native mode, need relocation
 0: compatible mode, fixed IO
- bit 6: Native/compatible IO base for the secondary channel (default: DA1)
 1: native mode, need relocation
 0: compatible mode, fixed IO
- bit 5: Fixed at 0
- bit 4: Fixed at 0
- bit 3: Reserved.
- bit 2: Monitor IDE command to start master action enable/disable (1/0) Default = 0
- bit 1: Reserved
- bit 0: DEVSEL# timing (also reflected in register 7)
- 43 FIFO configuration
- bit 7: Reserved
- bit 6-5: FIFO configuration between the two channels
- | bit(6:5) | primary | secondary | |
|----------|---------|-----------|-----------|
| 00 | 16 | 0 | |
| 01 | 8 | 8 | (default) |
| 10 | 8 | 8 | |
| 11 | 0 | 16 | |
- bit 4: Reserved.
- bit 3-2: Threshold for the primary channel
- bit 1-0: Threshold for the secondary channel
- | Bit 1 | Bit 0 | |
|-------|-------|-----|
| 0 | 0 | 1 |
| 0 | 1 | 3/4 |
| 1 | 0 | 1/2 |
| 1 | 1 | 1/4 |
- 44 Misc. control
- bit 7: Reserved
- bit 6: Master read cycle IRDY wait state
 1: one wait (default)
 0: zero wait
- bit 5: Master write cycle IRDY wait state
 1: one wait (default)
 0: zero wait
- bit 4: Enable/disable (1/0) FIFO output data 1/2 clock advance, Default = 0
- bit 3: Enable/disable (1/0) Retry Bus Master IDE status register read
 when master write operation for DMA read is not complete, Default = 0
- bit 2-0: Reserved.
- 45 Misc. control
- bit 7: Reserved.
- bit 6: Swap the interrupt steering of the two channels enable/disable (1/0)
 default = 0.
- bit 5-2: Set to 0.
- bit 1-0: Reserved.
- 46 Misc. control Default = C0h

- bit 7: Enable/disable(1/0) FIFO flush for Read DMA when interrupt asserts primary channel.
- bit 6: Enable/disable(1/0) FIFO flush for Read DMA when interrupt asserts secondary channel.
- bit 5: Enable/disable(1/0) FIFO flush at the end of each sector for the primary channel.
- bit 4: Enable/disable(1/0) FIFO flush at the end of each sector for the secondary channel.
- bit 3-2: Set to 0.
- bit 1-0: Maximum DRDY pulse width after the cycle count. Command will deassert inspite of DRDY status to avoid system ready hang.

Bit 1	Bit 0	
0	0	no limitation
0	1	64 PCI cycles
1	0	128 PCI cycles
1	1	192 PCI cycles

48 Secondary IDE drive #1 timing control Default = A8h

bit 7-4: DIOR#/DIOW# active pulse width

Bit 7	Bit 6	Bit 5	Bit 4	
0	0	0	0	1 x PCI CLOCK
0	0	0	1	2 x PCI CLOCK
0	0	1	0	3 x PCI CLOCK
.....				
1	1	1	1	16 x PCI CLOCK

bit 3-0: DIOR#/DIOW# recovery time

Bit 3	Bit 2	Bit 1	Bit 0	
0	0	0	0	1 x PCI CLOCK
0	0	0	1	2 x PCI CLOCK
0	0	1	0	3 x PCI CLOCK
.....				
1	1	1	1	16 x PCI CLOCK

49 Secondary IDE drive #0 timing control Default = A8h

- bit 7-4: DIOR#/DIOW# active pulse width
- bit 3-0: DIOR#/DIOW# recovery time

4a Primary IDE drive #1 timing control Default = A8h

- bit 7-4: DIOR#/DIOW# active pulse width
- bit 3-0: DIOR#/DIOW# recovery time

4b Primary IDE drive #0 timing control Default = A8h

- bit 7-4: DIOR#/DIOW# active pulse width
- bit 3-0: DIOR#/DIOW# recovery time

4c Address setup time

bit 7-6: primary drive #0

Bit 1	Bit 0	
0	0	1 x PCI CLOCK
0	1	2 x PCI CLOCK
1	0	3 x PCI CLOCK
1	1	4 x PCI CLOCK

- bit 5-4: primary drive #1
- bit 3-2: secondary drive #0

bit 1-0: secondary drive #1

- 4d 1/2 Clock Control
- bit 7-6: Primary drive #0
- bit 5-4: Primary drive #1
- bit 3-2: Secondary drive #0
- bit 1-0: Secondary drive #1

Note: If the number in bit 7-4 of register 4B to 48 is *m*, then the number is bit 3-0 of register 4B-48 is *n*. The Active /Recovery cycle with respect to register 4D becomes:

	Active	Recovery
00:	<i>m</i> +1	<i>n</i> +1
01	<i>m</i> +1	<i>n</i> +0.5
10	<i>m</i> +0.5	<i>n</i> +1
11	<i>m</i> +0.5	<i>n</i> +1.5

- 4e Secondary IDE drive non-1F0 port access timing Default = 0FFh

bit 7-4: DIOR#/DIOW# active pulse width

Bit 7	Bit 6	Bit 5	Bit 4	
0	0	0	0	1 x PCI CLOCK
0	0	0	1	2 x PCI CLOCK
0	0	1	0	3 x PCI CLOCK
.....				
1	1	1	1	16 x PCI CLOCK

bit 3-0: DIOR#/DIOW# recovery time

Bit 3	Bit 2	Bit 1	Bit 0	
0	0	0	0	1 x PCI CLOCK
0	0	0	1	2 x PCI CLOCK
0	0	1	0	3 x PCI CLOCK
.....				
1	1	1	1	16 x PCI CLOCK

- 4f Primary IDE drive non-1F0 port access timing Default = 0FFh
- bit 7-4: DIOR#/DIOW# active pulse width
- bit 3-0: DIOR#/DIOW# recovery time

- 61-60 Sector size for the primary IDE Default = 200h
- bit 15-12: Reserved
- bit 11-0: Number of sectors

- 69-68 Sector size for the secondary IDE Default = 200h
- bit 15-12: Reserved
- bit 11-0: Number of sectors

- 70 Primary IDE Status (read only)
- bit 7: Fixed at 0
- bit 6: Prefetch operation status
- bit 5: Post write operation status
- bit 4: DMA read operation status
- bit 3: DMA write operation status
- bit 2: S/G operation in progress
- bit 1: FIFO empty
- bit 0: DMA request input status

- 71 Primary Interrupt Gating
bit 7-1: Reserved
bit 0: Interrupt gating. When enabled(1), interrupt output will be asserted only when FIFO is empty. Default: disabled(0).
- 74 Primary IDE command Default = 80h
bit 7: Enable/disable reload sector size after last command register write (1/0)
bit 6-0: Reserved
- 75 Primary IDE command (write 1 to initiate)
bit 7: Start IDE slave read prefetch
bit 6: Start IDE slave post write
bit 5: Start IDE master DMA read
bit 4: Start IDE master DMA write
bit 3: Stop S/G bus master
bit 2-0: Reserved
- 78 Secondary IDE Status (read only)
bit 7: Fixed at 0
bit 6: Prefetch operation status
bit 5: Post write operation status
bit 4: DMA read operation status
bit 3: DMA write operation status
bit 2: S/G operation in progress
bit 1: FIFO empty
bit 0: DMA request input status
- 79 Secondary Interrupt Gating
bit 7-1: Reserved
bit 0: Interrupt gating. When enabled(1), interrupt output will be asserted only when FIFO is empty. Default: disabled(0).
- 7c Secondary IDE command Default = 80h
bit 7: Enable/disable reload sector size after last command register write (1/0)
bit 6-0: Reserved
- 7d Secondary IDE command (write 1 to initiate)
bit 7: Start IDE slave read prefetch
bit 6: Start IDE slave post write
bit 5: Start IDE master DMA read
bit 4: Start IDE master DMA write
bit 3: Stop S/G bus master
bit 2-0: Reserved
- 83-80 Primary channel PRD (physical region description) table address pointer (alias with offset 7-4 of the PCI SIG defined bus master IDE registers).
- 8b-88 Secondary channel PRD table address pointer (alias with offset 4-7 of the PCI SIG defined bus master IDE registers).
- c0 Test register, should be set to 00h.

VT82C585VP PIN DESCRIPTION

Signal Name	Pin No.	Power	I/O	Signal Description
CLOCK CONTROL				
HCLK	59	cpu	I	HOST CLOCK: This pin receives a buffered host clock. This clock is used by all of the VT82C585VP logic that is in the Host clock domain. This should be the same clock net that is delivered to the CPU.
PCLK	9	cpu	I	PCI CLOCK: This pin received a buffered divided-by-2 host clock. This clock is used by all of the VT82C585VP logic that is in the PCI clock domain
RESET CONTROL				
RESET#	52	pci	I	RESET: When asserted, this signal resets the VT82C585VP and sets all register bits to the default value.
CPU INTERFACE				
ADS#	66	cpu	I	ADDRESS STROBE: The CPU asserts ADS# in T1 of the CPU bus cycle.
M/IO#	54	cpu	I	MEMORY I/O.
W/R#	69	cpu	I	WRITE/READ.
D/C#	67	cpu	I	DATA/CONTROL
BE#[7:0]	44-51	cpu	I	BYTE ENABLES: The CPU byte enables indicate which byte lane the current CPU cycle is accessing.
CA[31:3]	20, 22, 23, 19, 14, 17, 18, 13, 11, 16, 12, 36- 32, 42, 40, 41, 39, 30, 31, 37, 29, 25, 26, 28, 24, 21	cpu	B	ADDRESS BUS: CA[31:3] connect to the address bus of the CPU. During CPU cycles CA[31:3] are inputs. These signals are driven by the VT82C585VP during cache snooping operation.
BRDY#	62	cpu	O	BUS READY: The VT82C585VP asserts BDRY# to indicate to the CPU that data is available on reads or has been received on writes.
EADS#	65	cpu	O	EXTERNAL ADDRESS STROBE: Asserted by the VT82C585VP to inquire the L1 cache when serving PCI master accesses to main memory.
KEN#/INV	56	cpu	O	CACHE ENABLE/INVALIDATE: KEN#/INV functions as both the KEN# signal during CPU read cycles and the INV signal during L1 cache snoop cycle.

HITM#	68	cpu	I	HIT MODIFIED: Asserted by the CPU to indicate that the address presented with the last assertion of EADS# is modified in the L1 cache and needs to be written back.
HLOCK#	53	cpu	I	HOST LOCK: All CPU cycles sampled with the assertion of HLOCK# and ADS#, until the negation of HLOCK# must be atomic.
CACHE#	55	cpu	I	CACHEABLE: Asserted by the CPU during a read cycle to indicate the CPU can perform a burst line fill. Asserted by the CPU during a write cycle to indicate that the CPU will perform a burst write-back cycle.
AHOLD	57	cpu	O	ADDRESS HOLD: The VT82C586 asserts AHOLD when a PCI master is accessing main memory. AHOLD is held for the duration of the PCI burst transfer.
NA#	63	cpu	O	NEXT ADDRESS:
BOFF#	64	cpu	O	BACK OFF: Asserted by the VT82C585VP when required to terminate a CPU cycle that was in progress.
SMIACT#	58	cpu	I	SYSTEM MANAGEMENT INTERRUPT ACTIVE: This is asserted by the CPU when it is in system management mode as a result of SMI.
CACHE CONTROL				
COE#	72	cpu	O	CACHE SRAM OUTPUT ENABLE:
CWE#[7:0] / SWE#A-B, SRAS#A-B, SCAS#A-B, BWE#, GWE#	76-73, 93-90	cpu	O	Multi-function pins: Global write option off (bit 2 of RX54h is 0): Cache SRAM write enable of each byte. Global write option on (bit 2 of RX 54h is 1): Synchronous DRAM command indicators and BWE#/GWE# for global write SRAM control.
TWE#	89	cpu	O	TAG WRITE ENABLE: When asserted, new state and tag addresses are written into the external tag.
A3SEL/ CADS#	71	cpu	O	CACHE ADDRESS 3/CACHE ADDRESS STROBE: This pin has two modes depending on the type of SRAM selected. Async. SRAM: A3SEL is used to sequence through the Qwords in a cache line during a burst operation. Sync. SRAM: Its assertion causes the burst SRAM load the BSRAM address register from BSRAM address pin.
A4SEL/ CADV#	70	cpu	O	CACHE ADDRESS 4/CACHE ADVANCE: This pin has two modes depending on the type of SRAM selected. Async. SRAM: A4SEL is used to sequence through the Qwords in a cache line during a burst operation. Sync. SRAM: Its assertion causes the burst SRAM to advance to advance to the next Qword in the cache line.
TA[9] / DB32 TA[8:0]	88, 87, 80, 81, 82, 85, 86, 79-77	cpu	B	TAG ADDRESS: These are inputs during CPU accesses and outputs during L2 cache line fills and L2 line invalidates during inquire cycles. TA9 is a multi-function pin. It will act as DB32 to VT82C587VP when 32bit DRAM mode is enable.

CALE/CE1#	94	cpu	O	CACHE ADDRESS LATCH/CHIP ENABLE 1: This pin has two modes depending on the type of SRAM selected 1. Async. SRAM: CALE is used to control the cache address latches. 2. Sync. SRAM: CE1 is used as chip -select 1 for the BSRAM.
DRAM CONTROL				
MA[11:0]	125-120, 118-115, 113, 112	dram	O	MEMORY ADDRESS: DRAM address lines.
RAS#[5:4]	103, 102	dram	O	ROW ADDRESS STROBE of each bank for FPG/EDO/BEDO DRAM.
RAS#[3:0]/ CS#[3:0]	99-98, 101-100			Multi-functional pins: 1. FPG/EDO/BEDO DRAM: ROW ADDRESS STROBE of each bank. 2. Synchronous DRAM: chip select of each bank.
CAS#[7:0]/ DQM#[7:0]	104, 110, 106, 108, 105, 111, 107, 109	dram	O	Multi-functional pins: 1. FPG/EDO/BEDO DRAM: COLUMN ADDRESS STROBE of each byte line. 2. Synchronous DRAM: data mask of each byte lane.
WE#	126	dram	O	DRAM write enable.
SRAS#A-B	73, 74	dram	O	ROW ADDRESS COMMAND INDICATOR: for Synchronous DRAM, two identical copies for better driving.
SCAS#A-B	92, 93	dram	O	COLUMN ADDRESS COMMAND INDICATOR: for Synchronous DRAM, two identical copies for better driving.
SWE#A-B	75, 76	dram	O	WRITE ENABLE COMMAND INDICATOR: for Synchronous DRAM, two identical copies for better driving.
UNIFIED MEMORY INTERFACE				
MREQ0#	163	dram	I	MEMORY REQUEST 0: This pin is asserted by the graphic controller to get access to local DRAM.
MREQ1#	166	dram	I	MEMORY REQUEST 1: This pin is asserted by the graphic controller to get access to local DRAM.(It is reserved if 2 pin protocol selected)
MGNT#	162	dram	O	MEMORY GRANT: VT82C585VP assert this pin to relinquish DRAM bus to graphic controller.
DGNT#	95	dram	O	DATA GRANT: Controls external buffer for UMA interface.
VT82C587VP INTERFACE				
DB32	88	cpu	B	DRAM WIDTH: to control VT82C587VP if 32-bit DRAM is used.
PLINK[15:0]	151-148, 146-143, 134-127	dram	B	PCI LINK: This is the data path between the CPU/main memory and PCI. PCI main memory reads and CPU to PCI writes are driven onto these pins by the VT82C587VP. CPU reads from PCI and PCI writes to main memory are received on this bus by the VT82C587VP. Each VT82C587VP connected to one byte of this bus.
MSTB#	135	dram	O	MEMORY STROBE: Assertion causes data to be posted in the DRAM Write Buffer.

HSTB#	136	dram	O	HOST STROBE: Assertion causes data to be posted in the CPU Read Buffer.
CMD[4:0]	141-137	dram	O	COMMAND: VT82C585VP uses these signals to control the buffers in VT82C587VP.
PCI Bus Interface				
FRAME#	188	pci	B	FRAME: Assertion indicates the address phase of a PCI transfer. Negation indicates that one more data transfer is desired by the cycle initiator.
AD[31:0]	167-174, 177-182, 185, 186, 197-199, 202-206, 208, 2-8	pci	B	ADDRESS DATA BUS: The standard PCI address and data lines. The address is driven with FRAME# assertion and data is driven or received in following cycles.
C/BE#[3:0]	176, 187, 196, 207	pci	B	COMMAND, BYTE ENABLE: The command is driven with FRAME# assertion. Byte enables corresponding to supplied or requested data are driven on following clocks.
IRDY#	189	pci	B	INITIATOR READY: Asserted when the initiator is ready for data transfer.
TRDY#	190	pci	B	TARGET READY: Asserted when the target is ready for data transfer.
STOP#	192	pci	B	STOP: Asserted by the target to request the master to stop the current transaction.
DEVSEL#	191	pci	B	DEVICE SELECT: This signal is driven by the VT82C585VP when a PCI initiator is attempting to access main memory. It is an input when VT82C585VP is acted as a PCI initiator.
PAR	194	pci	B	PARITY: A single parity bit is provided over AD[31:0] and C/BE[3:0].
SERR#	195	pci	B	SYSTEM ERROR: VT82C585VP will pulse this signal when it detect a system error condition.
LOCK#	193	pci	B	LOCK: Used to establish, maintain, and release resource lock on PCI
PREQ#	153	pci	I	PCI REQUEST: This signal comes from VT82C586. PREQ# is the VT82C586 request for the PCI bus.
PGNT#	152	pci	O	PCI GRANT: This signal driven by the VT82C585VP to grant PCI access to VT82C586.
REQ#[3:0]	155, 157, 159, 161	pci	I	REQUEST: PCI master requests for PCI.
GNT#[3:0]	154, 156, 158, 160	pci	O	GRANT: Permission is given to the master to use PCI.

POWER AND GROUND				
VDD_CPU	10, 43, 61, 84	cpu	I	Power supply for the CPU bus.
VDD_PCI	184, 201	pci	I	Power supply for PCI bus.
VDD_DRAM	97, 114, 147, 165	dram	I	Power supply for the DRAM bus.
VSS	1, 15, 27, 38, 60, 83, 96, 119, 142, 164, 175, 183, 200	0v	I	Ground

VT82C585VP PIN OUT IN NUMERICAL ORDER

Pin No	Pin Name	Pin No	Pin Name	Pin No	Pin Name	Pin No	Pin Name
1	VSS	53	HLOCK#	105	CAS3# / DQM3#	157	REQ2#
2	AD6	54	M/IO#	106	CAS5# / DQM5#	158	GNT1#
3	AD5	55	CAHCE#	107	CAS1# / DQM1#	159	REQ1#
4	AD4	56	KEN#	108	CAS4# / DQM4#	160	GNT0#
5	AD3	57	AHOLD	109	CAS0# / DQM0#	161	REQ0#
6	AD2	58	SMIACT#	110	CAS6# / DQM6#	162	MGNT#
7	AD1	59	HCLK	111	CAS2# / DQM2#	163	MREQ0#
8	AD0	60	VSS	112	MA0	164	VSS
9	PCLK	61	VDD-cpu	113	MA1	165	VDD-dram
10	VDD-cpu	62	BRDY#	114	VDD-dram	166	MREQ1#
11	CA23	63	NA#	115	MA2	167	AD31
12	CA21	64	BOFF#	116	MA3	168	AD30
13	CA24	65	EADS#	117	MA4	169	AD29
14	CA27	66	ADS#	118	MA5	170	AD28
15	VSS	67	D/C	119	VSS	171	AD27
16	CA22	68	HITM#	120	MA6	172	AD26
17	CA26	69	W/R	121	MA7	173	AD25
18	CA25	70	A4SEL/CADV#	122	MA8	174	AD24
19	CA28	71	A3SEL/CADS#	123	MA9	175	VSS
20	CA31	72	COE#	124	MA10	176	CBE3#
21	CA3	73	CWE4# / SRASA#	125	MA11	177	AD23
22	CA30	74	CWE5# / SRASB#	126	WE#	178	AD22
23	CA29	75	CWE6# / SWEA#	127	PLINK0	179	AD21
24	CA4	76	CWE7# / SWEB#	128	PLINK1	180	AD20
25	CA7	77	TA0	129	PLINK2	181	AD19
26	CA6	78	TA1	130	PLINK3	182	AD18
27	VSS	79	TA2	131	PLINK4	183	VSS
28	CA5	80	TA7	132	PLINK5	184	VDD-pci
29	CA8	81	TA6	133	PLINK6	185	AD17
30	CA11	82	TA5	134	PLINK7	186	AD16
31	CA10	83	VSS	135	MSTB#	187	CBE2#
32	CA16	84	VDD-cpu	136	HSTB#	188	FRAME#
33	CA17	85	TA4	137	CMD0	189	IRDY#
34	CA18	86	TA3	138	CMD1	190	TRDY#
35	CA19	87	TA8	139	CMD2	191	DEVSEL#
36	CA20	88	TA9 / DB32	140	CMD3	192	STOP#
37	CA9	89	TWE#	141	CMD4	193	LOCK#
38	VSS	90	CWE0# / GWE#	142	VSS	194	PAR
39	CA12	91	CWE1# / BWE#	143	PLINK8	195	SERR#
40	CA14	92	CWE2# / SCASA#	144	PLINK9	196	CBE1#
41	CA13	93	CWE3# / SCASB#	145	PLINK10	197	AD15
42	CA15	94	CALE/CE1#	146	PLINK11	198	AD14
43	VDD-cpu	95	DGNT#	147	VDD-dram	199	AD13
44	BE7#	96	VSS	148	PLINK12	200	VSS
45	BE6#	97	VDD-dram	149	PLINK13	201	VDD-pci
46	BE5#	98	RAS2# / CS2#	150	PLINK14	202	AD12
47	BE4#	99	RAS3# / CS3#	151	PLINK15	203	AD11
48	BE3#	100	RAS0# / CS0#	152	PGNT#	204	AD10
49	BE2#	101	RAS1# / XS1#	153	PREQ#	205	AD9
50	BE1#	102	RAS4#	154	GNT3#	206	AD8
51	BE0#	103	RAS5#	155	REQ3#	207	CBE0#
52	RESET#	104	CAS7# / DQM7#	156	GNT2#	208	AD7

VT82C587VP PIN DESCRIPTION

Signal Name	Pin No.	cpu	I/O	Signal Description
CPU Data Port				
HD[31:0]	24-17, 14-11, 9-2, 99-92, 89-86	cpu	B	HOST DATA: These signals are connected to the CPU data bus. The CPU data bus is interleaved between the two VT82C587VP for every byte, effectively creating an even and odd 587VP.
DRAM Data Port				
MD[31:0]	78, 74, 69, 61, 56, 51, 46, 42, 76, 72, 65, 63, 58, 54, 48, 44, 80, 75, 71, 62, 57, 52, 47, 43, 77, 73, 68, 64, 60, 55, 49, 45	dram	B	MEMORY DATA: These signals are connected to the DRAM data bus. The DRAM data bus is interleaved between the two VT82C587VP for every byte, effectively creating an even and odd VT82C587VP.
VT82C585VP Interface				
DB32	85	dram	I	DRAM WIDTH: This is used to control the width of DRAM
CMD[5:0]	79, 25-29	dram	I	COMMAND: The buffers in the VT82C587VP are controlled by 585Vp through these command signals.
HSTB#	38	dram	I	HOST DATA STROBE: Assertion causes data to be posted in the CPU read buffer
MSTB#	39	dram	I	MEMORY STROBE: Assertion causes data to be posted in the DRAM write buffer.
PLINK[7:0]	30-37	dram	B	PCI LINK: These signals are connected to the PLINK data bus on the VT82C585VP. This the data path between VT82C585VP and VT82C587VP. Each VT82C587VP connects to one-byte of the 16-bit bus.
Clock and Misc. Control				
HCLK	81	cpu	I	HOST CLOCK: Primary clock input used to drive the part.
RESET#	84	cpu	I	HOST RESET: Primary reset signal for VT82C587VP.
CAS#	83	cpu		Connects to DRAM CAS signal. It is sync. with DRAM CAS. It is recommended to maintain same skew among the 8 CAS of DRAM for Burst EDO operation.
Power and Ground				
VDD_DRAM	53, 67	dram	I	Power supply for DRAM
VDD	41	dram	I	Power supply fixed 5V
VDD_CPU	16, 91, 100	cpu	I	Power supply for the CPU bus (3.3v or 5v).
VSS	1, 10, 15, 40, 50, 59, 66, 70, 79, 90	0v	I	Ground

VT82C587VP PIN OUT IN NUMERICAL ORDER

Pin No.	Pin Name	Pin No.	Pin Name	Pin No.	Pin Name	Pin No.	Pin Name
1	VSS	31	PLINK6	51	MD26	81	HCLK
2	HD12	32	PLINK5	52	MD10	82	VSS
3	HD13	33	PLINK4	53	VDD-dram	83	CAS#
4	HD14	34	PLINK3	54	MD18	84	RESET#
5	HD15	35	PLINK2	55	MD2	85	DB32
6	HD16	36	PLINK1	56	MD27	86	HD0
7	HD17	37	PLINK0	57	MD11	87	HD1
8	HD18	38	HSTB#	58	MD19	88	HD2
9	HD19	39	MSTB#	59	VSS	89	HD3
10	VSS	40	VSS	60	MD3	90	VSS
11	HD20	41	VDD-fixed 5V	61	MD28	91	VDD-cpu
12	HD21	42	MD24	62	MD12	92	HD4
13	HD22	43	MD8	63	MD20	93	HD5
14	HD23	44	MD16	64	MD4	94	HD6
15	VSS	45	MD0	65	MD21	95	HD7
16	VDD-cpu	46	MD25	66	VSS	96	HD8
17	HD24	47	MD9	67	VDD-dram	97	HD9
18	HD25	48	MD17	68	MD5	98	HD10
19	HD26	49	MD1	69	MD29	99	HD11
20	HD27	50	VSS	70	VSS	100	VDD-cpu
21	HD28			71	MD13		
22	HD29			72	MD22		
23	HD30			73	MD6		
24	HD31			74	MD30		
25	CMD4			75	MD14		
26	CMD3			76	MD23		
27	CMD2			77	MD7		
28	CMD1			78	MD31		
29	CMD0			79	CMD5		
30	PLINK7			80	MD15		

VT82C586 PIN DESCRIPTION

Signal Name	Pin No.	cpu	I/O	Signal Description
PCI Bus Interface				
PCLK	2	pci	I	PCI CLOCK: PCLK provides timing for all transactions on PCI Bus.
FRAME#	181	pci	B	FRAME: Assertion indicates the address phase of a PCI transfer. Negation indicates that one more data transfer is desired by the cycle initiator.
AD[31:0]	204-199, 196-195, 192-189, 187-185, 183, 172, 170-167, 165-163, 161-158, 155-152	pci	B	ADDRESS DATA BUS: The standard PCI address and data lines. The address is driven with FRAME# assertion and data is driven or received in following cycles.
C/BE#[3:0]	194, 182, 173, 162	pci	B	COMMAND, BYTE ENABLE: The command is driven with FRAME# assertion. Byte enables corresponding to supplied or requested data are driven on following clocks.
IRDY#	180	pci	B	INITIATOR READY: Asserted when the initiator is ready for data transfer.
TRDY#	179	pci	B	TARGET READY: Asserted when the target is ready for data transfer.
STOP#	176	pci	B	STOP: Asserted by the target to request the master to stop the current transaction.
DEVSEL#	178	pci	B	DEVICE SELECT: VT82C586 asserts this signal to claim PCI transaction through positive or subtractive decoding.
PAR	174	pci	B	PARITY: A single parity bit is provided over AD[31:0] and C/BE[3:0].
SERR#	175	pci	I	SYSTEM ERROR: SERR# can be pulsed active by any PCI device that detect a system error condition. Upon sampling SERR# active, the VT82C586 can be programmed to generate a NMI to the CPU.
IDSEL	193	pci	I	INITIALIZATION DEVICE SELECT: IDSEL is used as a chip select during configuration read and write cycles.
PIRQA-D#	1, 207-205	pci	I	PCI INTERRUPT REQUEST:
PREQ#	151	cpu	O	PCI REQUEST: This signal go to VT82C585VP. PREQ# is the VT82C586 request for the PCI bus.
PGNT#	150	cpu	I	PCI GRANT: This signal driven by the VT82C585VP to grant PCI access to VT82C586.
ISA BUS CONTROL				
SA[15:0]/ DD[15:0]	20-25, 27-28, 36-38, 40-44	5v	B	SYSTEM ADDRESS BUS/IDE DATA BUS:
SA16	19	5v	B	SYSTEM ADDRESS BUS:

LA23/DCS3B#, LA22/DCS1B#, LA21/DCS3A#, LA20/DCS1A#, LA[19:17]/ DA[2:0]	63-67, 69-70	5v	B	<p>Multifunction Pins:</p> <p>ISA Bus Cycles: UNLATCHED ADDRESS: The LA[23:17] address lines are bi-directional. These address lines allow accesses to physical memory on ISA bus up to 16mbytes.</p> <p>PCI IDE Cycles: CHIP SELECT: DCS1A# is for the ATA command register block and corresponds to CS1FX# on the primary IDE connector. DCS3A# is for the ATA command register block and corresponds to CS3FX# on the primary IDE connector. DCS1B# is for the ATA command register block and corresponds to CS17X# on the primary IDE connector. DCS3B# is for the ATA command register block and corresponds to CS37X# on the primary IDE connector.</p> <p>DISK ADDRESS: DA[2:0] are used to indicate which byte in either the ATA command block or control block is being access.</p>
SD[15:8]	86-85, 83-80, 78-77	5v	B	SYSTEM DATA: SD[15:8] provide the high order byte data path for devices residing on the ISA bus.
SBHE#	62	5v	B	SYSTEM BYTE HIGH ENABLE: SBHE# indicates, when asserted, that a byte is being transferred on the upper byte (SD[15:8]) of the data bus. SBHE# is negated during refresh cycles.
IOR#	12	5v	B	I/O READ: IOR# is the command to an ISA I/O slave device that the slave may drive data on to the ISA data bus.
IOW#	11	5v	B	I/O WRITE: IOW# is the command to an ISA I/O slave device that the slave may latch data from the ISA data bus.
MEMR#	123	5v	B	MEMORY READ: MEMR# is the command to a memory slave that it may drive data onto the ISA data bus.
MEMW#	124	5v	B	MEMORY WRITE: MEMW# is the command to a memory slave that it may latch data from the ISA data bus.
SMEMR#	10	5v	O	STANDARD MEMORY READ: SMEMR# is the command to a memory slave, under 1MB, that it may drive data onto the ISA data bus
SMEMW#	9	5v	O	STANDARD MEMORY WRITE: SMEMW# is the command to a memory slave, under 1MB, that it may latch data from the ISA data bus.
BALE	35	5v	O	BUS ADDRESS LATCH ENABLE: BALE is an active high signal asserted by the VT82C586 to indicate that the address(SA[19:0], LA[23:17] and SBHE# signal lines are valid
IOCS16#	125	5v	I	16-BIT I/O CHIP SELECT: This signal is driven by I/O devices on the ISA Bus to indicate that they support 16-bit I/O bus cycles.

MEMCS16#	76	5v	I	MEMORY CHIP SELECT 16: ISA slave that are 16-bit memory devices drive this line low to indicate they support 16-bit memory bus cycles.
MASTER#	137	5v	I	BUS MASTER: Master cycle indicator.
IOCHCK#	5	5v	I	I/O CHANNEL CHECK: When this signal asserted, it indicates that a parity or an uncorrectable error has occurred for a device or memory on the ISA Bus.
IOCHRDY	8	5v	I	I/O CHANNEL READY: Devices on the ISA Bus negate IOCHRDY to indicate that additional time (wait states) is required to complete the cycle.
REFRESH#	29	5v	B	REFRESH: As an output REFRESH# indicates when a refresh cycle is in progress. As an input REFRESH# is driver by 16-bit ISA Bus masters to indicate refresh cycle.
AEN	15	5v	O	ADDRESS ENABLE: AEN is asserted during DMA cycles to prevent I/O slaves from misinterpreting DMA cycles as valid I/O cycles.
TC	32	5v	O	TERMINAL COUNT: The VT82C586 asserts TC to DMA slaves as a terminal count indicator.
IRQ15, 14, [11: 9], [7:3]	128-129, 127-126, 61, 71-75	5v	I	INTERRUPT REQUEST: The IRQ signals provide both system board components and ISA Bus I/O devices with a mechanism for asynchronously interrupting the CPU.
DRQ[7:5], [3:0]	132, 130, 57, 30, 7, 16, 59	5v	I	DMA REQUEST: The DREQ lines are used to request DMA services from VT82C586's DMA controller.
DACK[7:5], [3:0]	133, 131, 58, 31, 33, 18, 60	5v	O	Multifunction Pins: Normal Operation DMA ACKNOWLEDGE: The DACK output lines indicate that a request for DMA service has been granted. Power-up General purpose inputs
SPKR	134	5v	B	Multi function pin: Normal Operation SPEAKER DRIVE: The SPKR signal is the output of counter 2. Power-up strapping 0: IDE fixed I/O base 1: IDE flexible I/O base
CPU Interface				
CPURST	142	cpu	O	CPU RESET: The VT82C586 asserts CPURST to reset the CPU during power-up.
INTR	145	cpu	O	CPU Interrupt: INTR is driven by VT82C586 to signal the CPU that an interrupt request is pending and needs service.
NMI	146	cpu	O	NON-MASKABLE INTERRUPT: NMI is used to force a non-maskable interrupt to the CPU. The VT82C586 generate an NMI when either SERR# or IOCHK# is asserted.

INIT	143	cpu	O	INITIALIZATION: The VT82C586 asserts INIT if it detects a shut-down special cycle on the PCI bus or if a soft reset is initiated by the register
STPCLK#	148	cpu	O	STOP CLOCK: STPCLK# is asserted by the VT82C586 to CPU in response to different Power-Management events.
SMI#	149	cpu	O	SYSTEM MANAGEMENT INTERRUPT: SMI# is asserted by the VT82C586 to CPU in response to different Power-Management events.
FERR#	141	cpu	O	NUMERICAL COPROCESSOR ERROR: This signal is tied to the coprocessor error signal on the CPU.
IGENN#	139	cpu	O	IGNORE ERROR: This pin is connected to the ignore error pin on the CPU.
Enhanced IDE Interface				
DIORA#	50	5v	O	DISK I/O READ A: Primary IDE channel drive read strobe.
DIOWA#	51	5v	O	DISK I/O WRITE A: Primary IDE channel drive write strobe.
DIORB#	54	5v	O	DISK I/O READ B: Secondary IDE channel drive read strobe.
DIOWB#	55	5v	O	DISK I/O WRITE B: Secondary IDE channel drive write strobe.
DRDY#	49	5v	I	I/O CHANNEL READY: IDE drive ready indicator.
SOE#	56	5v	O	SYSTEM ADDRESS TRANSCEIVER OUTPUT ENABLE: This signal controls the output enables of the 245 transceivers that interface the DD[15:0] signals to the SA[15:0]
DREQA	45	5v	I	DISK DMA REQUEST A: Primary IDE channel DMA request.
DREQB	46	5v	I	DISK DMA REQUEST B: IDE channel DMA request.
DDACKA#	47	5v	O	DISK DMA ACKNOWLEDGE A: Primary IDE channel DMA acknowledge.
DDACKB#	48	5v	O	DISK DMA ACKNOWLEDGE B: Secondary IDE channel DMA acknowledge. This pin is used as power-up strap option: 0/1: IDE fixed/relocatable I/O address
Reset and Clock				
PWRGD	138	5v	I	POWER GOOD: Connected to the POWERGOOD signal on Power Supply.
PCIRST#	3	pci	O	PCI RESET: An active low reset signal for the PCI bus. The VT82C586 will generate PCIRST# during the power-up or from the control register.
RSTDRV	4	5v	O	RESET DRIVE: RSTDRV is the reset signal to the ISA bus.
BCLK	14	5v	O	BUS CLOCK: ISA bus clock
OSC	6	5v	I	OSCILLATOR: OSC is the 14.31818 Mhz clock signal. It is used by the internal 8254
XD Interface				

XD[7:0]	122-121, 119-116, 114-113	5v	B	X-BUS DATA BUS: These pins are used as strap option during the power-up: XD0: 0/1 - Disable/enable internal KBC XD1: 0/1 - Disable/enable internal PS/2 Mouse XD2: 0/1 - Disable/enable internal RTC XD3: 0/1 - PISA/SIO XD4~XD7: RP13~RP16 for internal KBC
XDIR	112	5v	O	X-BUS DIRECTION: XIDR# is tied directly to the direction control of a 74F245 that buffer the X-Bus data and ISA-Bus data.
RTCAS/ PCWE0	94	5v	O	Multifunction Pin: Internal RTC disable: REAL TIME CLOCK ADDRESS STROBE: RTCAS is connected directly to the address strobe input of the external RTC. Internal RTC enable: GENERAL PURPOSE WRITE ENABLE 1: LATCH enable signal to a external 373 for general outputs.
ROMCS# / KBCS#	135	5v	O	ROM CHIP SELECT / KEYBOARD CONTROLLER CHIP SELECT: Multi-function pin Normal Operation ISA memory cycle: Chip-select to the ROM-BIOS ISA I/O cycle: Chip-select to the external keyboard controller. Power-up 0: DACKx by external 137, DACK0 as DACEN, DACK1-7 as EXTSMI 1: DACKx as DACKx
PCWE1	93	5v	O	GENERAL PURPOSE WRITE ENABLE 1: LATCH enable signal to a external 373 for general outputs.
Universal Serial Bus Interface				
USBDATA0+	95	usb	B	USB PORT 0 DATA:
USBDATA0-	96	usb	B	USB PORT 0 DATA:
USBDATA1+	97	usb	B	USB PORT 1 DATA:
USBDATA1-	98	usb	B	USB PORT 1 DATA:
USBCLK	99	usb	I	USB CLOCK: Clock input for Universal serial bus interface
Keyboard Interface				
KBCK / KA20G	108	5v	B	Multifunction Pin: Internal Keyboard controller enable: KEYBOARD CLOCK: CLOCK to keyboard interface. Internal Keyboard controller disable: KEYBOARD GATE A20: GATE A20 output from external keyboard controller.

KBDT / KBRC#	109	5v	B	Multifunction Pin: Internal Keyboard controller enable: KEYBOARD DATA: DATA to keyboard interface. Internal Keyboard controller disable: KEYBOARD RESET: Reset input from external keyboard controller.
MSCK / IRQ1	110	5v	B	Multifunction Pin: PS/2 mouse enable: MOUSE CLOCK: CLOCK to PS/2 mouse interface. PS/2 mouse disable and internal KBC disable: INTERRUPT REQUEST 1: IRQ 1 input from external KBC.
MSDT / IRQ12	111	5v	B	Multifunction Pin: PS/2 mouse enable: MOUSE DATA: DATA to PS/2 mouse interface. PS/2 mouse disable: INTERRUPT REQUEST 12: IRQ 12 input from external KBC
A20M	147	cpu	O	A20 MASK: Direct connect A20 mask on CPU.
KEYLOCK	106	5v	I	KEYBOARD LOCK: Keyboard lock signal for internal keyboard controller
TURBO	107	5v	I	TURBO: Turbo mode indicator input
On Board PnP				
MDRQ[1:0]	89, 91	5v	I	PLUG AND PLAY DMA REQUEST: DMA request inputs from non-PNP device to support the PnP function.
MDACK[1:0]	90, 92	5v	O	PLUG AND PLAY DMA ACKNOWLEDGE: DMA acknowledge outputs from non-PNP device to support the PnP function.
MIROQ[1:0]	88, 87	5v	I	PLUG AND PLAY INTERRUPT REQUEST: Interrupt request inputs from non-PNP device to support the PnP function.
Internal RTC				
RTCX1 / IRQ8#	104	vbat	I	Multifunction Pin: Internal RTC enable: RTC CRYSTAL INPUT: 32.768Khz crystal or oscillator input. Internal RTC disable: INTERRUPT REQUEST 8: IRQ8 input from external KBC
RTCX2	105	vbat	O	RTC CRYSTAL OUTPUT: 32.768Khz crystal output
VBAT	102		I	RTC BATTERY: BATTERY input for internal RTC
VEXT	103			
Misc.				
EXTSMI#	136	5v	I	EXTERNAL SMI: External input to trigger SMI output to the CPU.
Power and Ground				

VDD	17, 34, 53, 79, 115	5v	I	power supply of 4.5 to 5.5V.
VDD_PCI	157, 171, 184, 198	pci	I	PCI voltage , 3.3 or 5V
AVDD	100	usb	I	USB differential output power source
AGND	101	0V	I	USB differential output ground
VSS	13, 26, 39, 52, 68, 84, 120, 156, 166, 177, 188, 197, 208	0v	I	the ground
VDD_CPU	144	cpu	I	CPU voltage, 3.3 or 5 volts

VT82C586 PIN OUT IN NUMERICAL ORDER

Pin No	Pin Name	Pin No	Pin Name	Pin No	Pin Name	Pin No	Pin Name
1	PIRQA#	53	VDD	105	RTCX2	157	VDD-pci
2	PCICLK	54	DIORB#	106	KEYLOCK	158	AD4
3	PCIRST#	55	DIOWB#	107	TURBO	159	AD5
4	RSTDRV	56	HSGOE#	108	KBCK	160	AD6
5	IOCHCK#	57	DRQ5	109	KBDT	161	AD7
6	OSC	58	DACK5	110	MSCK	162	CBE0#
7	DRQ2	59	DRQ0	111	MSDT	163	AD8
8	IOCHRDY	60	DACK0	112	XDIR	164	AD9
9	SMEMW#	61	IRQ9	113	XD0	165	AD10
10	SMEMR#	62	SBHE	114	XD1	166	VSS
11	IOW#	63	LA23/DCS3B#	115	VDD	167	AD11
12	IOR#	64	LA22/DCS1B#	116	XD2	168	AD12
13	VSS	65	LA21/DCS3A#	117	XD3	169	AD13
14	BCLK	66	LA20/DCS1A#	118	XD4	170	AD14
15	AEN	67	LA19/DA2	119	XD5	171	VDD-pci
16	DRQ1	68	VSS	120	VSS	172	AD15
17	VDD	69	LA18/DA1	121	XD6	173	CBE1#
18	DACK1	70	LA17/DA0	122	XD7	174	PAR
19	SA16	71	IRQ7	123	MEMR#	175	SERR#
20	SA15/DD15	72	IRQ6	124	MEMW#	176	STOP#
21	SA14/DD14	73	IRQ5	125	IOCS16#	177	VSS
22	SA13/DD13	74	IRQ4	126	IRQ10	178	DEVSEL#
23	SA12/DD12	75	IRQ3	127	IRQ11	179	TRDY#
24	SA11/DD11	76	MEMCS16#	128	IRQ15	180	IRDY#
25	SA10/DD10	77	SD8	129	IRQ14	181	FRAME#
26	VSS	78	SD9	130	DRQ6	182	CBE2#
27	SA9/DD9	79	VDD	131	DACK6	183	AD16
28	SA8/DD8	80	SD10	132	DRQ7	184	VDD-pci
29	REFRESH#	81	SD11	133	DACK7	185	AD17
30	DRQ3	82	SD12	134	SPKR	186	AD18
31	DACK3	83	SD13	135	ROMCS#	187	AD19
32	TC	84	VSS	136	EXTSMI#	188	VSS
33	DACK2	85	SD14	137	MASTER#	189	AD20
34	VDD	86	SD15	138	PWRGD	190	AD21
35	BALE	87	MIRQ0	139	IGNNE#	191	AD22
36	SA7/DD7	88	MIRQ1	140	VSS	192	AD23
37	SA6/DD6	89	MDRQ1	141	FERR#	193	IDSEL
38	SA5/DD5	90	MDACK1	142	CPURST	194	CBE3#
39	VSS	91	MDRQ0	143	INIT	195	AD24
40	SA4/DD4	92	MDACK0	144	VDD-cpu	196	AD25
41	SA3/DD3	93	PCWE1	145	INTR	197	VSS
42	SA2/DD2	94	RTCAS	146	NMI	198	VDD-pci
43	SA1/DD1	95	USBDATA0+	147	A20M	199	AD26
44	SA0/DD0	96	USBDATA0-	148	STPCLK#	200	AD27
45	DDRQA	97	USBDATA1+	149	SMI#	201	AD28
46	DDRQB	98	RTCCS#/USBDATA1-	150	PGNT#	202	AD29
47	DDACKA#	99	USBCLK	151	PREQ#	203	AD30
48	DDACKB#	100	AVDD	152	AD0	204	AD31
49	HDRDY#	101	AGND	153	AD1	205	PIRQD#
50	DIORA#	102	VBAT	154	AD2	206	PIRQC#
51	DIOWA#	103	VEXT	155	AD3	207	PIRQB#
52	VSS	104	RTCX1/IRQ8#	156	VSS	208	VSS

ELECTRICAL CHARACTERISTICS

Absolute Maximum Ratings

Parameter	Min	Max	Unit
Ambient operating temperature	0	70	°C
Storage temperature	-55	125	°C
Input voltage	-0.5	5.5	Voltage
Output voltage ($V_{DD} = 5V$)	-0.5	5.5	Voltage
Output voltage ($V_{DD} = 3.1 - 3.6V$)	-0.5	$V_{DD} + 0.5$	Voltage

Note :

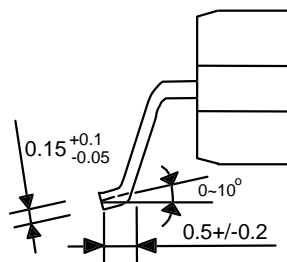
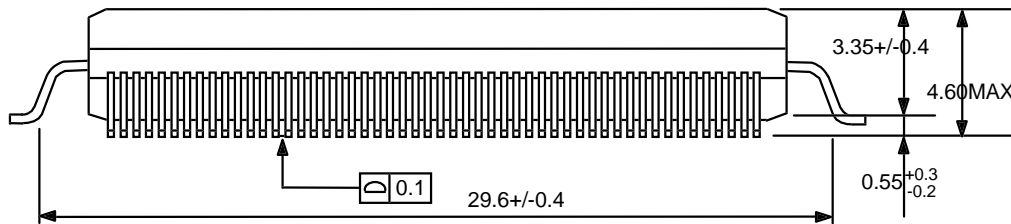
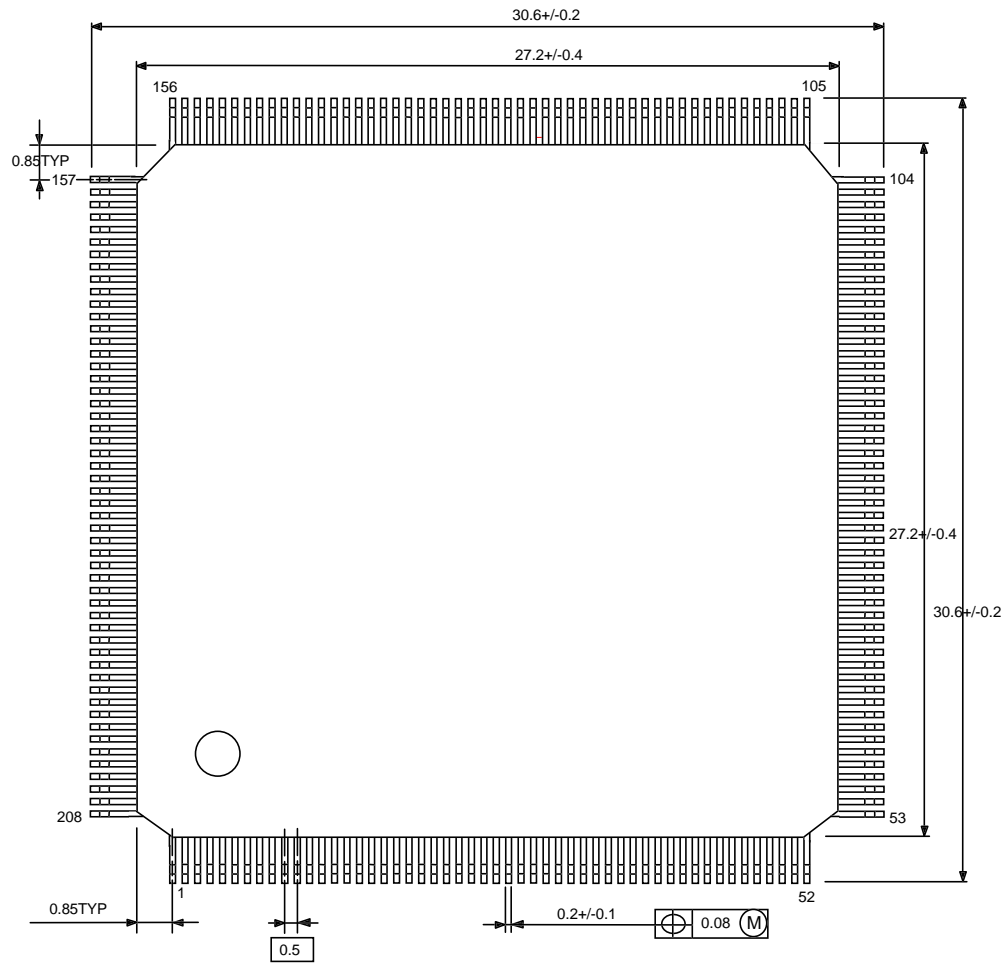
Stress above these listed cause permanent damage to device. Functional operation of this device should be restricted to the conditions described under operating conditions.

DC Characteristics

TA=0-70°C, $V_{DD}=5V \pm 5\%$, GND=0V

Symbol	Parameter	Min	Max	Unit	Condition
VIL	Input low voltage	-.50	0.8	V	
VIH	Input high voltage	2.0	$V_{DD} + 0.5$	V	
VOL	Output low voltage	-	0.45	V	$I_{OL} = 4.0mA$
VOH	Output high voltage	2.4	-	V	$I_{OH} = -1.0mA$
IIL	Input leakage current	-	± 10	μA	$0 < V_{IN} < V_{DD}$
IOZ	Tristate leakage current	-	± 20	μA	$0.45 < V_{OUT} < V_{DD}$
ICC	Power supply current	-	80	mA	

208-PIN PLASTIC FLAT PACKAGE



100-PIN PLASTIC RECTANGULAR FLAT PACKAGE

