



Intel® Server Chassis SC5300/SC5300LX/SC5300BRP Quick Start User's Guide



Thank you for buying an Intel® Server Chassis. The following information will help you assemble your Intel® Server Chassis and install components.

If you are not familiar with ESD [Electrostatic Discharge] procedures used during system integration, see the complete ESD procedures described in your User Guide. For more details on Intel® Server Platforms, please see: www.intel.com/go/serverbuilder

This guide and other supporting documents are located on the web at <http://support.intel.com/support/motherboards/server/chassis/SC5300>

Building Value With Intel Server Products, Programs and Support

Get the high-value server solutions you need by taking advantage of the outstanding value Intel provides to system integrators:

- High-quality server building blocks
- Extensive breadth of server building blocks
- Solutions and tools to enable e-Business
- Intel® Server Management
- Comprehensive training services
- Worldwide 24x7 technical support [AT&T Country Code + 866-655-6565]¹
- World-class service, including a three-year limited warranty and Advanced Warranty Replacement¹

For more information on Intel's added-value server offerings, visit the Intel® ServerBuilder website at: www.intel.com/go/serverbuilder

Intel® ServerBuilder is your one-stop shop for information about all of Intel's Server Building Blocks such as:

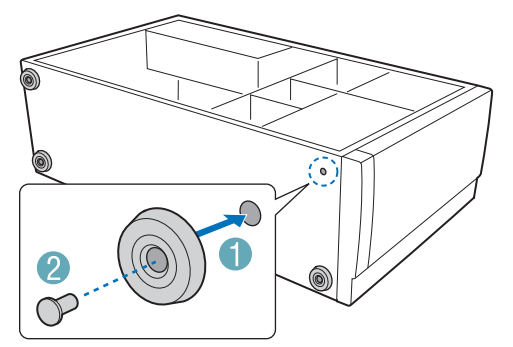
- Product information, including product briefs and technical product specifications
- Sales tools, such as videos and presentations
- Training information, such as the Intel® Online Learning Center
- Support Information and much more

¹Available only to Intel® Channel Program Members, part of the Intel® e-Business Network.

1 Install Feet (pedestal only)

Note: This step applies to the pedestal version only. If you plan to configure your chassis as a rackmount system, go to Step 2.

- 1 Insert rubber foot into chassis hole.
- 2 Secure foot by inserting pin through the rubber foot.



Warning

Read all caution and safety statements in this document before performing any of the instructions. Also see the Intel® Server Board and Server Chassis Safety Information document at: <http://support.intel.com/support/motherboards/server/sb/cs-010770.htm> for complete safety information.

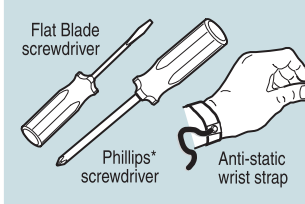
Warning

Installation and service of this product to be performed only by qualified service personnel to avoid risk of injury from electrical shock or energy hazard.

Caution

Observe normal ESD [Electrostatic Discharge] procedures during system integration to avoid possible damage to server board and/or other components.

Tools Required



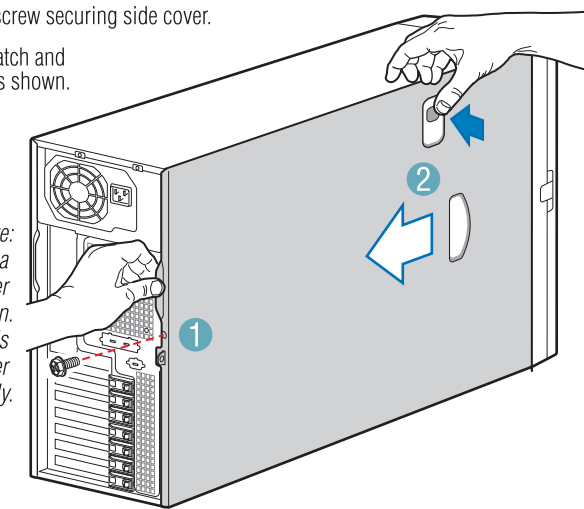
Supported Intel® Server Boards

- Intel® Server Board SE7520AF2
- Intel® Server Board SE7520BD2
- Intel® Server Board SE7525GP2
- Intel® Server Board SE7320SP2

2 Remove the Side Cover

- 1 Remove screw securing side cover.
- 2 Push in latch and remove as shown.

Note: Chassis with a fixed power supply is shown. Your chassis may differ slightly.

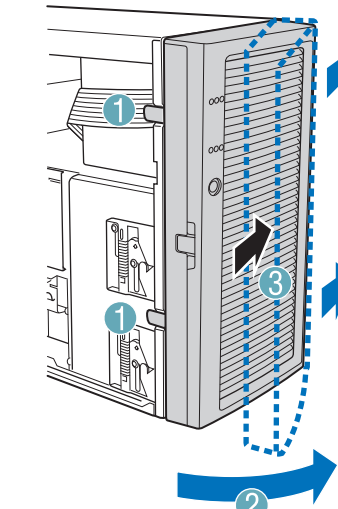


3 Remove the Bezel Assembly

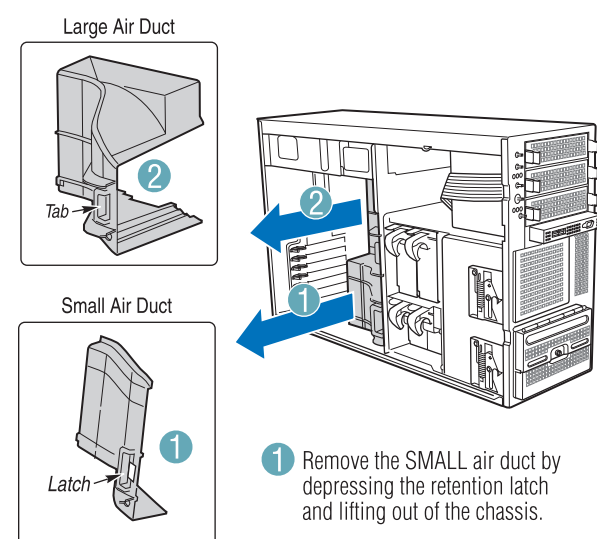
CAUTION: Do not rotate the bezel assembly more than 40° or you will damage the bezel hooks at the right side of the bezel assembly.

Note that the bezel assembly consists of two components, a front door and a sub-bezel.

- 1 Release two plastic tabs.
- 2 Rotate bezel assembly no more than 40 degrees outward. If bezel assembly does not immediately disconnect from the chassis, then remove by tapping the left-hand side of the bezel assembly to disengage the bezel hooks on the right-hand side of the chassis.
- 3 At a 40 degree angle, push bezel assembly away from the chassis.



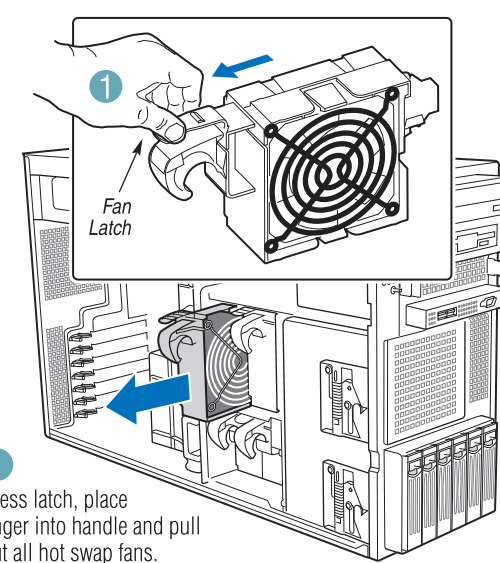
4 Remove the Air Ducts



- 1 Remove the SMALL air duct by depressing the retention latch and lifting out of the chassis.
- 2 Remove the LARGE air duct by pushing the blue tab towards the back of the chassis.

5 Remove the Hot Swap Fans (SC5300LX only)

Note: This step applies to the SC5300LX only. If your chassis has fixed fans (SC5300 and SC5300BRP), proceed to Step 6.

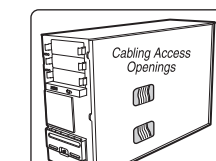


- 1 Press latch, place finger into handle and pull out all hot swap fans.

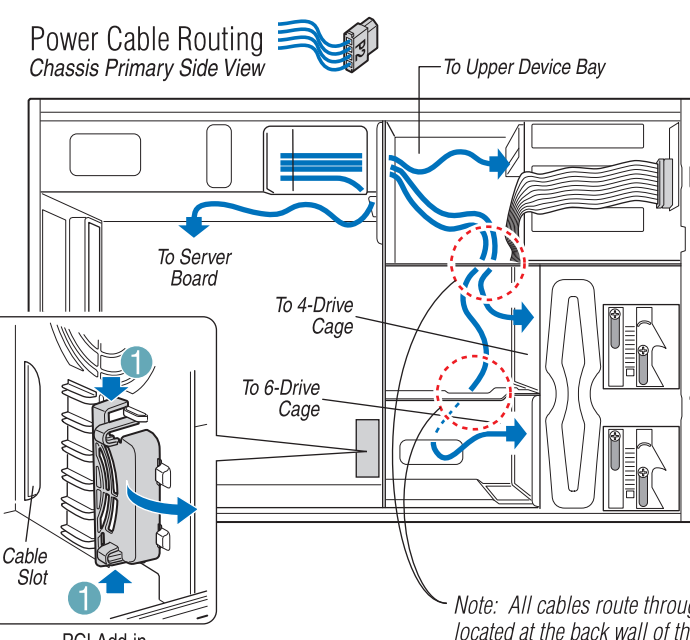
6 Install and Route Data and Power Cables to Fixed Drive Bays

- 1 Press on two plastic tabs and remove PCI Add-in Card Retainer to access cable routing slot.
- 2 Route longest power cables to the 6-drive bay and shorter cables to the 4-drive bay and upper device bay.

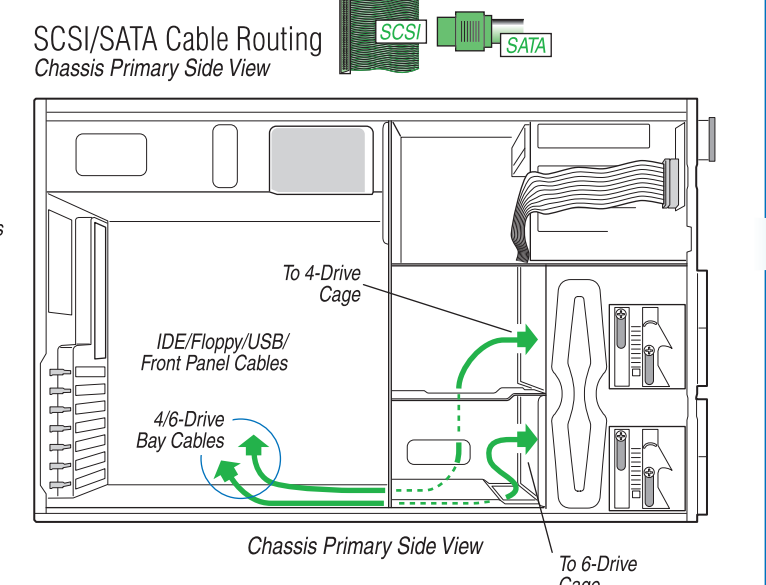
- Power Cable Routing Guidelines:
- P3, P4 and P5 power cables route to removable drives.
 - P6, P7, P8, P9, P10, and P11 power cables (standard SCSI/IDE); route as appropriate.
 - P12 and P13 power cables (SATA); route as appropriate.



Note: Access openings are located on the secondary side of the chassis to facilitate cable routing if necessary.



Note: All cables route through openings located at the back wall of the chassis.



Note: Front panel, USB, floppy and one IDE cable are pre-routed by the factory. SCSI or SATA cables are supplied with the server board, hot swap or fixed drive bay accessory kits.

7 Install Rack Conversion Kit (optional)

For complete steps on rack conversion, refer to the Rack Conversion Kit Installation Guide.

Complete those steps before proceeding to Step 13.

C51488-003



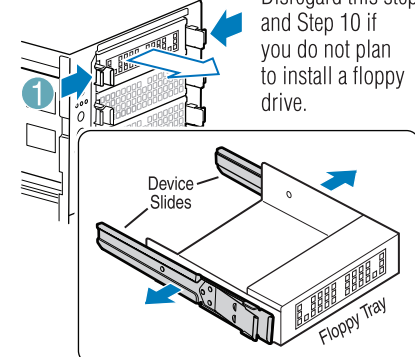
8 Install Floppy/CD/DVD Slimline Combo (pedestal only)

See the installation instructions that came with your floppy/CD/DVD slimline combo kit to install this device. This device must be installed in the top slot of the upper bay.

Note: If you plan to configure your system for a rack mount installation, see the instructions that come with your rack mount kit for proper device orientation in the upper bay.

9 Remove Floppy Tray and Device Slides

IMPORTANT! Disregard this step and Step 10 if you do not plan to install a floppy drive.

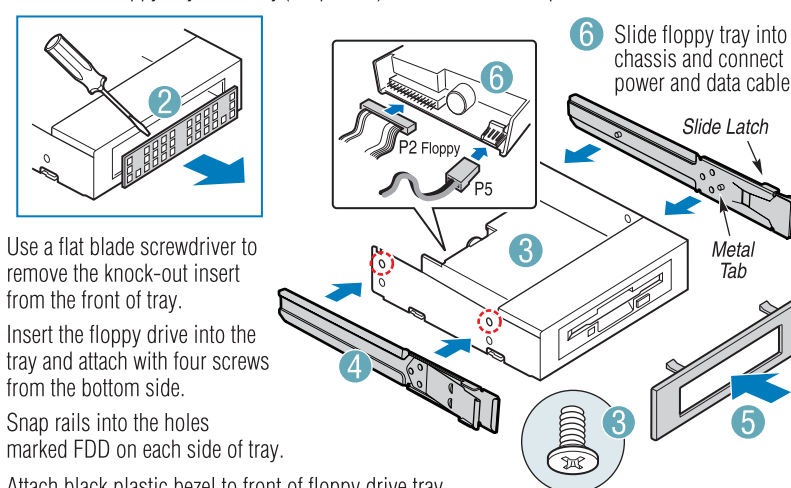


- 1 Press each slide inward to release and pull slides and floppy tray out of device bay. Remove slides from tray as shown.

10 Install Floppy Drive (optional)

Your chassis comes with one device adapter kit for a floppy drive.

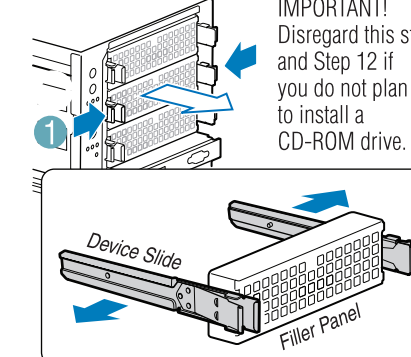
- 1 Remove the floppy tray assembly (adapter kit) as illustrated in Step 9.



- 2 Use a flat blade screwdriver to remove the knock-out insert from the front of tray.
- 3 Insert the floppy drive into the tray and attach with four screws from the bottom side.
- 4 Snap rails into the holes marked FDD on each side of tray.
- 5 Attach black plastic bezel to front of floppy drive tray.

11 Remove Filler Panel and Device Slides for CD-ROM

IMPORTANT! Disregard this step and Step 12 if you do not plan to install a CD-ROM drive.



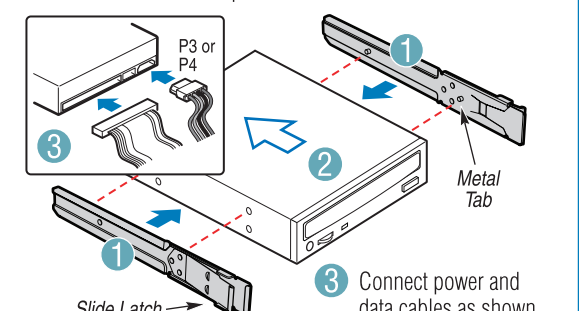
- 1 Press each slide inward to release and pull slides and filler panel out of device bay. Remove slides from filler panel as shown.

12 Install CD-ROM Drive (optional)

Note: Device slides are "tool-less" and do not require screws.

Remove a filler panel/slide assembly as shown in Step 11.

- 1 Press slide tabs into device mounting holes.
- 2 Insert device/slide assembly into chassis bay until slides lock into place.



- 3 Connect power and data cables as shown.