

Netfinity Manager

Command Reference



Netfinity Manager

Command Reference

Note

Before using this information and the product it supports, be sure to read the general information under Appendix B, "Notices" on page 184.

First Edition (June 1998)

The following paragraph does not apply to the United Kingdom or any country where such provisions are inconsistent with local law: INTERNATIONAL BUSINESS MACHINES CORPORATION PROVIDES THIS PUBLICATION "AS IS" WITHOUT WARRANTY OF ANY KIND, EITHER EXPRESS OR IMPLIED, INCLUDING, BUT NOT LIMITED TO, THE IMPLIED WARRANTIES OF MERCHANTABILITY OR FITNESS FOR A PARTICULAR PURPOSE. Some states do not allow disclaimer of express or implied warranties in certain transactions, therefore, this statement may not apply to you.

This publication could include technical inaccuracies or typographical errors. Changes are periodically made to the information herein; these changes will be incorporated in new editions of the publication. IBM may make improvements and/or changes in the product(s) and/or the program(s) described in this publication at any time.

This publication was developed for products and services offered in the United States of America. IBM may not offer the products, services, or features discussed in this document in other countries, and the information is subject to change without notice. Consult your local IBM representative for information on the products, services, and features available in your area.

Requests for technical information about IBM products should be made to your IBM reseller or IBM marketing representative.

© Copyright International Business Machines Corporation 1994, 1998. All rights reserved.

Note to U.S. Government Users — Documentation related to restricted rights — Use, duplication or disclosure is subject to restrictions set forth in GSA ADP Schedule Contract with IBM Corp.

Contents

General Netfinity Command Specifications	iii
Text-Mode Executable Files	vii
Output Return Codes	vii
Data Output for Processing by Other Tools	1
Alert Manager (NFALRTCL)	1
NFALRTCL /?	1
NFALRTCL /LISTLOG	9
NFALRTCL /DELLOG	10
NFALRTCL /LISTHAND	13
NFALRTCL /LISTACT	15
NFALRTCL /DELACTION	17
NFALRTCL /ADDPACT	21
NFALRTCL /ADDACTION	24
NFALRTCL /EDITPACT	26
NFALRTCL /EDITACTION	28
NFALRTCL /LISTPROF	32
NFALRTCL /DELPROFILE	36
NFALRTCL /ADDCPROF	38
NFALRTCL /ADDPROFILE	40
NFALRTCL /EDITCPROF	42
NFALRTCL /EDITPROF	44
Critical File Monitor CLI (NFCRTFCL)	46
NFCRTFCL /?	46
NFCRTFCL /LIST	50
NFCRTFCL /DELSYS	51
NFCRTFCL /DELSTD	53
NFCRTFCL /SETSYS	54
NFCRTFCL /SETSTD	55
Process Manager CLI (NFPROCCL)	57
NFPROCCL /?	57
NFPROCCL /GETPROC	60
NFPROCCL /RUNCMD	61
NFPROCCL /LISTMON	63
NFPROCCL /ADDMON	64
NFPROCCL /DELMON	66
NFPROCCL /EDITMON	68

System Profile CLI (NFPROFCL)	69
NFPROFCL /?	69
NFPROFCL /GETALL	72
NFPROFCL /GET	73
NFPROFCL /SET	75
NFPROFCL /SETMANY	77
Service Configuration Manager CLI (NFREPLCL)	79
NFREPLCL /?	79
NFREPLCL /LISTFILES	82
NFREPLCL /LISTREMOTES	83
NFREPLCL /LISTSERVICES	84
NFREPLCL /SHOW	85
NFREPLCL /PRUNE	86
NFREPLCL /DELETE	88
NFREPLCL /SAVE	89
NFREPLCL /RESTORE	90
Remote System Manager CLI (NFRSYSCL)	91
NFRSYSCL /?	91
NFRSYSCL /GETGRP	93
NFRSYSCL /GETSYS	94
NFRSYSCL /RUNSYS	96
NFRSYSCL /DELSYS	99
NFRSYSCL /ADDSYS	102
NFRSYSCL /EDITSYS	104
NFRSYSCL /DELGROUP	106
NFRSYSCL /ADDGROUP	109
NFRSYSCL /EDITGRP	111
NFRSYSCL /BOOTSYS	113
NFRSYSCL /SHUTSYS	116
NFRSYSCL /PWRSYS	118
NFRSYSCL /WAKESYS	120
NFRSYSCL /RESETERRSYS	122
NFRSYSCL /DODISC	124
NFRSYSCL /DOPING	126
Security Manager CLI (NFSECCL)	128
NFSECCL /?	128
NFSECCL /LISTIN /ALL	131

NFSECCL /LISTIN /USERID	132
NFSECCL /DELIN /ALL	133
NFSECCL /DELIN /USERID	135
NFSECCL /ADDIN	136
NFSECCL /EDITIN	137
NFSECCL /LISTOUT /ALL	139
NFSECCL /LISTOUT	141
NFSECCL /DELOUT /ALL	142
NFSECCL /DELOUT	144
NFSECCL /ADDOUT	145
NFSECCL /EDITOUT /ALL	146
NFSECCL /EDITOUT	147
Software Inventory CLI (NFSINVCL)	148
NFSINVCL /?	148
NFSINVCL /SCAN	150
System Monitor CLI (NFSMONCL)	151
NFSMONCL /?	151
NFSMONCL /GETMON	154
NFSMONCL /SETMONREC	155
NFSMONCL /GETMONTHR	158
NFSMONCL /DELMONTHR	160
NFSMONCL /ADDMONTHR	163
NFSMONCL EDITMONTHR	165
System Information Tool CLI (NFSYSICL)	168
NFSYSICL /?	168
NFSYSICL /HIST	172
NFSYSICL /HISTOUT	173
NFSYSICL /RPT	174
NFSYSICL /RPTOUT	175
NFSYSICL /EXPORT	176
Appendix A. Reading Syntax Diagrams	177
Required Syntax	177
Optional Keywords and Variables	177
Default Values	179
Long Syntax Diagrams	179
Syntax Fragments	180

Commas and Parentheses	180
Highlighting, Brackets, and Braces	181
Abbreviations	181
Appendix B. Notices	182
Trademarks	182

About This Book

This book provides information on the command line interface (CLI) tools found in Netfinity Manager. The Netfinity CLI tools are designed to enable experienced users to perform intricate and powerful systems-management tasks using a command-line format. These CLI tools greatly enhance the systems-management capabilities of the Netfinity Manager.

Important

Use these tools *only* if you are an experienced Netfinity Manager user. Netfinity CLI tools do not provide warnings or user-confirmation feedback (for example, Are you sure?) and can seriously affect other Netfinity systems if used improperly. If you are unfamiliar with command line interfaces or do not have a complete understanding of the Netfinity services and the problems that improper use of these services can cause on your own or other Netfinity systems, do not use the Netfinity CLI tools.

Who Should Read This Book

This book is primarily for use by experienced network administrators who want to use Netfinity command-line interfaces to automate systems-management tasks.

You should have extensive knowledge of your operating system, network operations, database functions, Netfinity Manager, and Client Services for Netfinity Manager before attempting to use Netfinity command line interfaces.

General Netfinity Command Specifications

All Netfinity CLI tools conform to the specifications in the following sections.

Text-Mode Executable Files

All Netfinity CLI tools are text-mode executable, or files that direct their output to `STDOUT` and `STDERR` and accept all inputs from command-line parameters and (if desired) a textual response file.

- If you are using Windows 95 or Windows NT, the tools are Win32 Console applications.
- If you are using OS/2, the tools are virtual input output (VIO) applications.
- 16-bit Windows applications are not supported.

Output Return Codes

A return code can be used to determine the success or failure of a given command-line process. All Netfinity CLI tools output return codes conforming to the following definitions, as appropriate.

Return Code	Description
0 (NFCMDLINE_SUCCESS)	Operation requested was completed successfully
1 (NFCMDLINE_SYSTEM_UNAVAILABLE)	Target system is unavailable or unreachable
2 (NFCMDLINE_SERVICE_DOES_NOT_EXIST)	Needed services on target system are not available or not defined
3 (NFCMDLINE_NOT_AUTHORIZED)	Authorization for needed service on target system is not available

4 (NFCMDLINE_TIMEOUT)	Communication with target system failed due to timeout
5 (NFCMDLINE_COMMUNICATION_ERROR)	Communication with target system failed (non-timeout)
6 (NFCMDLINE_SERVICE_BUSY)	Needed services on target system are available, but currently not available for use
7 (NFCMDLINE_SVC_NODE_CREATE_FAILED)	Attempt to create ServiceNode failed (probably missing DLLs)
8 (NFCMDLINE_SVC_START_FAILED)	Request to start required services on target system failed
9 (NFCMDLINE_SVC_STOP_FAILED)	Request to stop required services on target system failed
10 (NFCMDLINE_BAD_COMMAND_LINE)	Command-line syntax error or invalid input
11 (NFCMDLINE_FUNCTION_NOT_SUPPORTED)	Requested operation is not supported by the services on the target system
12 (NFCMDLINE_FILE_NOT_FOUND)	Requested operation failed due to not finding needed local file

13 (NFCMDLINE_FILE_OUTPUT_ERROR) Requested operation failed because of an I/O error to a local file

In addition to these return codes, some CLI tools provide service-specific values. See the section for the specific CLI for more information.

Data Output for Processing by Other Tools

Data output for CLI tools is intended for processing by other programs. To support this, informational output from the CLI tools conforms to the following standard:

1. All informational output (as opposed to error messages, help messages, logo messages, copyright messages, and other human-oriented outputs) is directed to STDOUT. All other output is directed to STDERR.
2. All informational output consists of keywords or keyword and value pairs. For example:

```
MANAGER, ATTRIBNAME=VALUE, TOKEN="string"
```

3. Grouped output is formatted by listing keyword and keyword/value pairs, separated by commas, spaces, or consecutive lines, with a blank line marking the end of each record. Each group of data is enclosed in braces, and groups of data can be nested. For example:

```
{ TAG=1234, NAME='xxx', MANAGER, MAC=4000123677 }  
{ TAG=1236, NAME='yyy', MAC=4000123678 }
```

This output could also appear as:

```
{ TAG=1234  
NAME='xxx'  
MANAGER  
MAC=4000123677 }  
{ TAG=1236  
NAME='yyy'  
MAC=4000123678 }
```

If this output were part of a nested group, it could appear as shown here:

```

{ TAG=5555, GROUPNAME='aaa'
SYSTEMS={ { TAG=1234, NAME='xxx', MANAGER, MAC=4000123677 }
{ TAG=1236, NAME='yy', MAC=4000123678 } } }

```

4. Values in keyword/value pairs are formatted as follows:

Keyword	Used for...
0xhexvalue	Hexadecimal values (capital letters are used for A-F)
<i>value</i>	Decimal values (a leading - or + is allowed)
<i>value</i>	Keyword-type values (ON, OFF, or ENABLED, for example)
<i>"string"</i>	String-like values (enclose the string with two double quotation marks to include double quotation marks characters within the string)
<i>value.value</i>	Floating-point decimal values
<i>date/month/year</i>	Dates (ISO ordering, not local. For example, 29/1/1966)
<i>hour:minute:second</i>	Times (always 24 hour; for example, 18:30:54)
<i>date/month/year:hour:minute:second</i>	Full local time stamp (for example, 29/1/1966:18:30:54)
<i>date/month/year:hour:minute:second+off</i>	Full universal time stamp, where <i>off</i> equals the number of minutes from universal time ("timezone"); use - instead of + if negative delta)
<i>{ other_keywords_or_values }</i>	collections of values or attributes

Note: Only *string* fields can contain non-ASCII characters and translated or country-local values.

5. All keywords start with an ASCII letter (A-Z, a-z, or _), followed by ASCII alphanumeric characters (0-9, A-Z, a-z, or _).
6. Commas, spaces, new-lines (CR, LF), and tab characters, when not enclosed in "string" fields, are treated as interchangeable separators.
7. The following value keywords are used, where appropriate: TRUE, FALSE, ENABLED, DISABLED, NULL, NONE, UNKNOWN.
8. All "string" fields are expressed in the local code page of the system running the CLI tool. You must provide any required code page mapping of this data.
9. All command-line parameters are structured as follows:
 - a. Each command-line parameter requires a leading forward-slash (/) or dash (-) character, followed by an ASCII keyword that can be uppercase, lowercase, or mixed case. If a value must be provided with the keyword, the keyword must be followed by a colon and the value (which may be enclosed in double quotation marks, if necessary).
Examples:

```
/ADDSYS  
/DELSYS:name  
-REMSYS:"name with spaces"
```
 - b. Textual values on the command line must be provided in the CLI tool's local code page. You must provide any required code page mapping of these inputs.
 - c. All CLI tools support the following command-line values, with the following default behaviors if the parameter is not provided:

Command-Line Value	Description
<i>/N:netpath</i>	Provides Netfinity-style network path to target system. Some examples: <i>/N:NETBIOS::USERNAME,</i> <i>/N:TCPIP::user.network.com</i> If this parameter is not provided, the local system is the target system.
<i>/S:"system name"</i>	Provides optional system name for target system. For example, <i>/S:"My system".</i> If this parameter is not provided, no system name is used.
<i>/?</i>	Display command-line help for tool (if available)

- d. To avoid conflict with future standard options, tool-specific options must be defined with keywords with at least 3 characters.
- e. Standard parameters (and tool-specific parameters) can be in any order.
- f. The presence of any unsupported or inappropriate parameters results in no action, with a return code of `NFCMDLINE_BAD_COMMAND_LINE`.
- g. Response file support is provided by some CLI tools. The response file must be provided with a leading ampersand (&). The contents of the response file will be processed as if

they were substituted for the response file option on the command line (with new-line and tab characters replaced with spaces).

10. Command-line help, logos, copyright statements, error messages, and other human-oriented outputs are directed to STDERR, not STDOUT.

See Appendix A, “Reading Syntax Diagrams” on page 179 for information about reading syntax diagrams.

Alert Manager (NFALRTCL)

Information on the Netfinity Alert Manager command-line tool
NFALRTCL follows.

NFALRTCL /?

NFALRTCL /?

Syntax

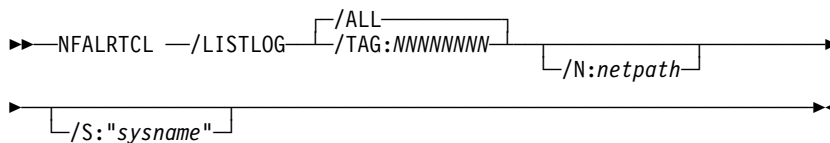
▶—NFALRTCL —/?—————▶

Purpose of Command

This command displays command-line help for NFALRTCL.

NFALRTCL /LISTLOG

Syntax



Purpose of Command

This command lists all alerts which are specified in the alert log.

Parameter Descriptions

- /ALL** Selects all the alerts in the log.
- /N** Specifies the network path to the target system.
- /S** Specifies the system name for the target system.
- /TAG** Selects the specified alert.

Command Responses

The output for each alert specified by NFALRTCL /LISTLOG appears as follows:

```
{ TAG=0xNNNNNNNN, TEXT="alert text", TIME=alert_time,
DATE=alert_date, SEV=severity, TYPE=alrt_type,
APP="app_ID", ATYPE=alert_type
SENDER=netpath, Pnum="parm", others}
```

where:

- TAG value *hexnum* is a hexadecimal identifier for the log entry.
- TEXT value is a string for alert text.
- TIME value is the time attribute of the alert (hh:mm:ss).
- DATE value is the date attribute of the alert (dd-mm-yyyy).
- SEV value is the severity of the alert (0-7)
- TYPE value is the standard alert type. The format is two 3-character sequences (xxxxyy) where xxx is one of the following alert types:

NFALRTCL /LISTLOG

- UNK (unknown)
- SYS (system)
- DSK (disk or DASD)
- NET (network)
- OS_ (operating system)
- APP (application)
- DEV (device)
- SEC (security)

and *yyy* is one of the following alert classes:

- UNK (unknown)
 - FLT (fault or failure)
 - ERR (error)
 - WRN (warning)
 - INF (information)
- APP value is a string for the application ID of the alert.
 - ATYPE value is the hexadecimal number of the application alert type.
 - SYSNAME value is a string representing the system name.
 - SENDER value is a string representing the alert sender's path.
 - Pnum value is a string representing the alert parameter number. The value *num* can be 1 through 9.

NFALRTCL /LISTLOG returns the following tool-specific codes:

Return Code Description

200	Alert log tag not valid
201	Alert action tag not valid
202	Alert handler not valid
203	Alert action match not found
204	Invalid alert type
205	Invalid alert severity
206	Invalid application alert type
207	Invalid application identification
208	Profile in use by existing actions
209	Profiles not supported

NFALRTCL /LISTLOG

210 Profile tag or name not valid

NFALRTCL /DELLOG

Syntax

```

NFALRTCL --/DELLOG [ /ALL | /TAG:NNNNNNNN ] [ /N:netpath ]
[ /S:"sysname" ]

```

Purpose of Command

This command deletes all alerts specified from the alert log.

Parameter Descriptions

/ALL	Selects all the alerts in the log
/N	Specifies the network path to the target system.
/S	Specifies the system name for the target system.
/TAG	Selects the specified alert.

Command Responses

NFALRTCL /DELLOG does not generate any textual output.

NFALRTCL /DELLOG returns the following tool-specific codes:

Return Code Description

200	Alert log tag not valid
201	Alert action tag not valid
202	Alert handler not valid
203	Alert action match not found
204	Invalid alert type
205	Invalid alert severity
206	Invalid application alert type
207	Invalid application identification

NFALRTCL /DELLOG

- 208** Profile in use by existing actions
- 209** Profiles not supported
- 210** Profile tag or name not valid

NFALRTCL /LISTHAND

Syntax

```

NFALRTCL —/LISTHAND — [ /ALL ] [ /NAME:"handname" ] [ /N:netpath ]
[ /S:"sysname" ]

```

Purpose of Command

This command lists all specified alert handlers.

Parameter Descriptions

/ALL Selects all alert handlers.

/N Specifies the network path to the target system.

/NAME Selects the specified alert handler.

/S Specifies the system name for the target system.

Command Responses

The output for each alert handler specified by NFALRTCL /LISTHAND appears as follows:

```
{ NAME="name", HANDLER="handler_id",
  PARMLAB0="parm label", PARMLAB1="parm label", others }
```

where:

- NAME value is a string representing the alert label.
- HANDLER value is a string identifier for the alert handler as follows:
 - WEBACT/0 sets the alert as TCP/IP Web mail.
 - SETERRORCONDITION sets the error condition for the sending system.
 - CLERERRORCONDITION clears the error condition for the sending system.
 - DMICAT/0 sends the DMI event through the DMI service layer.

NFALRTCL /LISTHAND

- ALERTLOG adds an alert to the log file.
- ALERTFORWARD forwards the alert through the network.
- ALERTPOPUP notifies the user with a pop-up window describing the alert.
- RUNCOMMAND executes a command.
- RUNMINCOMMAND executes a minimized command.
- PAGERACT/0 activates a numeric pager.
- PAGERACT/1 sends to an alphanumeric pager.
- TCPIPACT/0 sends an SNMP alert.
- TCPICACT/1 sends TCP/IP mail.
- TCPICACT/2 sends a mapped SNMP alert.
- others: the format is an uppercase DLL name followed by a slash (/) and an entry point number (AlertHandler#).
- PARMLAB# value is a string label for the alert parameter (0-3).

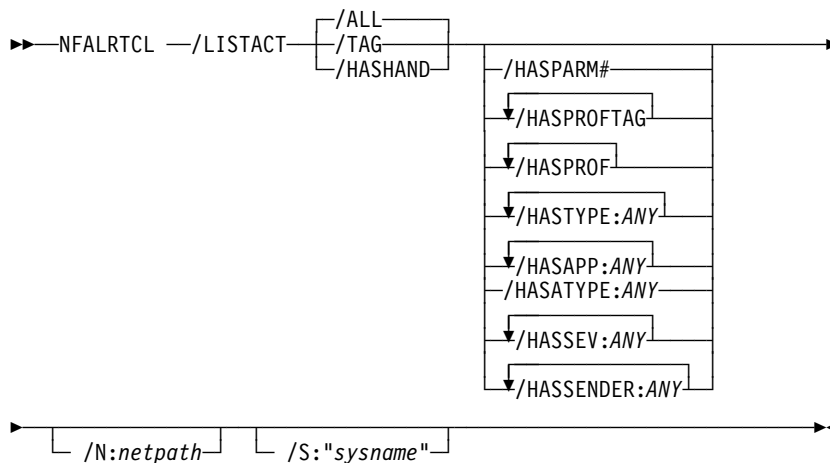
NFALRTCL /LISTHAND returns the following tool-specific codes:

Return Code Description

200	Alert log tag not valid
201	Alert action tag not valid
202	Alert handler not valid
203	Alert action match not found
204	Invalid alert type
205	Invalid alert severity
206	Invalid application alert type
207	Invalid application identification
208	Profile in use by existing actions
209	Profiles not supported
210	Profile tag or name not valid

NFALRTCL /LISTACT

Syntax



Purpose of Command

This command lists all specified alert actions.

Parameter Descriptions

- /ALL** Selects all configured actions.
- /HASAPP** Specifies the application identifiers matched by the actions to select. Only actions that match all provided identifiers will be selected. Actions that match on any type (that is, any alert type) are only specified with **/HASAPP:ANY**.
- /HASATYPE** Specifies the hexadecimal application alert types matched by the actions to select. Only actions which match all provided types will be selected. Actions which match on any application alert type can be specified with the **/HASATYPE:ANY** command.
- /HASHAND** Specifies the handler ID of the action to specify.

NFALRTCL /LISTACT

- /HASPARM#** Specifies the parameter number (0-3) of actions to select.
- /HASPROF** Specifies the name of the profile used by the actions to select. Only actions that contain all provided profile names will be selected.
- /HASPROFTAG** Specifies the hexadecimal profile tag of the actions to select. Only actions that contain all provided profile tags will be selected.
- /HASSENDER** Specifies the sender path matched by the actions to select. Only actions that match all of the provided sender paths will be specified. Actions that match on any sender can only be specified with the /HASSENDER:ANY command.
- /HASSEV** Specifies the alert severity matched by the actions to select. Only actions that match all of the provided severities will be selected. Actions that match on any severity can be specified only with the /HASSEV:ANY command.
- /HASTYPE** Specifies the standard alert type matched by the actions to select. Only actions that match all provided types will be selected. Actions that match on any type (that is, any alert type) are only specified with /HASTYPE:ANY.
- /N** Specifies the network path to the target system.
- /S** Specifies the system name for the target system.
- /TAG** Specifies the hexadecimal identifier of a specific action.

Command Responses

The output for each alert action specified by NFALRTCL /LISTACT. appears as follows:

NFALRTCL /LISTACT

```
{ TAG=0xNNNNNNNN, NAME="pv.name", HANDLER="handler_id",  
  PARM0="parm value", PARM1="parm value",  
  PROFTAG={0xNNNNNNNN, ...}, PROF={"profname", ...},  
  TYPES={alert_types, ...}, ATYPES={app_alert_types, ...},  
  APPS={app_IDS, ...}, SEVS={sev, ...},  
  SENDERS={"sender", ... }, others}
```

where:

- TAG value is a unique identifier for the action.
- NAME value is a string label (on profile actions).
- HANDLER value is a string identifier for the alert handler.
- PARM# value is a string value for the parameter number (0–3).
- PROFTAG value is a bracketed list of hexadecimal tag identifiers for profiles used to match with the action (if it is used).
- PROF value is a bracketed list of strings for profile names used to match with the action (if it is used).
- TYPES value is a bracketed list of standard alert types, with an empty list indicating ANY. This is only present if profiles are not used for the actions.
- APPS value is a bracketed list of application ID strings, with an empty list indicating ANY. This is only present if profiles are not used for the actions.
- ATYPES value is a bracketed list of hexadecimal numbers for the application alert types, with an empty list indicating ANY. This is only present if profiles are not used for the actions.
- SEVS value is a bracketed list of alert severities, with an empty list indicating ANY. This is only present if profiles are not used for the actions.
- SENDERS value is a bracketed list of sender path strings, with an empty list indicating ANY. This is only present if profiles are not used for the actions.

NFALRTCL /LISTACT. returns the following tool-specific codes:

Return Code Description

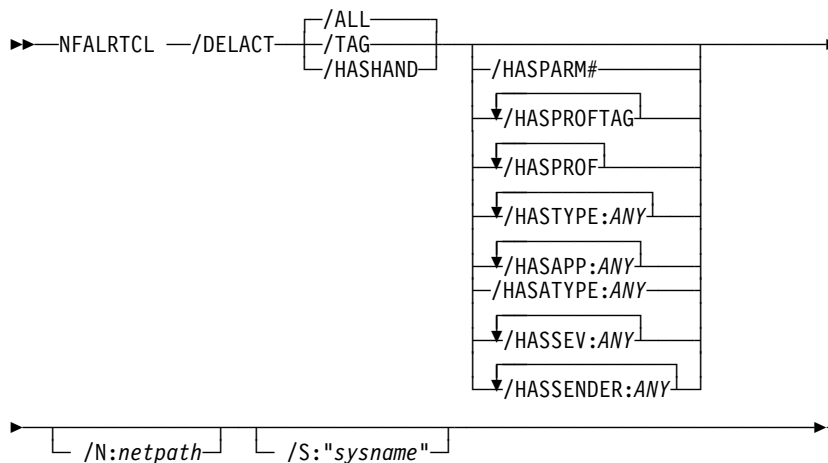
200	Alert log tag not valid
201	Alert action tag not valid
202	Alert handler not valid

NFALRTCL /LISTACT

203	Alert action match not found
204	Invalid alert type
205	Invalid alert severity
206	Invalid application alert type
207	Invalid application identification
208	Profile in use by existing actions
209	Profiles not supported
210	Profile tag or name not valid

NFALRTCL /DELECT

Syntax



Purpose of Command

This command deletes all specified alert actions.

Parameter Descriptions

- /ALL** Selects all configured actions.
- /HASAPP** Specifies the application identifiers matched by actions to select. Only actions that match all provided identifications will be selected. Actions that match on any type (that is, any alert type) are only specified with /HASAPP:ANY.
- /HASATYPE** Specifies the hexadecimal application alert types matched by the actions to select. Only actions that match all provided types will be selected. Actions that match on any application alert type can only be specified with the /HASATYPE:ANY command.
- /HASHAND** Specifies the handler ID of the actions to select.

NFALRTCL /DELECT

- /HASPARM#** Specifies the parameter number (0-3) of actions to select.
- /HASPROF** Specifies the name of the profile used by the actions to select. Only actions that contain all provided profile names will be selected.
- /HASPROFTAG** Specifies the hexadecimal profile tag of the actions to select. Only actions that contain all provided profile tags will be selected.
- /HASSENDER** Specifies the sender path matched by the actions to select. Only actions that match all of the provided sender paths can be specified. Actions that match on any sender can only be specified with the /HASSENDER:ANY command.
- /HASSEV** Specifies the alert severity matched by the actions to select. Only actions that match all of the provided severities will be selected. Actions that match on any severity only can be specified with the HASSEV:ANY command.
- /HASTYPE** Specifies the standard alert type matched by the actions to select. Only actions that match all provided types will be selected. Actions that match on any type (that is, any alert type) are only specified with /HASTYPE:ANY.
- /N** Specifies the network path to the target system.
- /S** Specifies the system name for the target system.
- /TAG** Specifies the hexadecimal identifier of a specific action.

Command Responses

The output for each action specified by NFALRTCL /DELECT appears as follows:

```
TAG=0xNNNNNNNN
```


NFALRTCL /DELECT

where TAG value is a unique identifier for the deleted action.

NFALRTCL /DELECT returns the following tool-specific codes:

Return Code Description

200	Alert log tag not valid
201	Alert action tag not valid
202	Alert handler not valid
203	Alert action match not found
204	Invalid alert type
205	Invalid alert severity
206	Invalid application alert type
207	Invalid application identification
208	Profile in use by existing actions
209	Profiles not supported
210	Profile tag or name not valid

NFALRTCL /ADDPACT

NFALRTCL /ADDPACT

```
▶▶ NFALRTCL — /ADDPACT:"handler_id" — /NEWNAME:"name" —▶▶  
▶▶ /PARM0:"parm val" —▶▶ /ADDPROFTAG:NNNNNNNN —▶▶  
▶▶ /ADDPROF:"profname" —▶▶ /N:"netpath" —▶▶ /S:"sysname" —▶▶
```

Purpose of Command

This command adds an alert action based on the profiles.

Parameter Descriptions

/ADDPROF Specifies the name of the profile to be added to the list of profiles for the action.

/ADDPROFTAG

Specifies the hexadecimal tag for the profile to be added to the list of profiles for the action.

/N Specifies the network path to the target system.

/NEWNAME Specifies the string label for the profile-based action.

/PARM0 Specifies the parameter number of the action. This value can be from 0 to 3.

/S Specifies the system name for the target system.

Command Responses

The output appears as follows:

```
TAG=0xNNNNNNNN
```

where TAG value is a unique identifier for the new action.

NFALRTCL /ADDPACT returns the following tool-specific codes:

Return Code Description

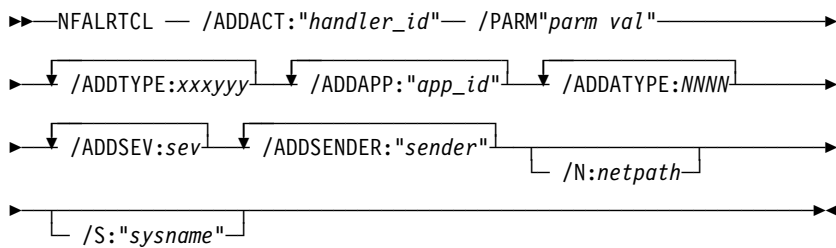
200 Alert log tag not valid

NFALRTCL /ADDPACT

- 201** Alert action tag not valid
- 202** Alert handler not valid
- 203** Alert action match not found
- 204** Invalid alert type
- 205** Invalid alert severity
- 206** Invalid application alert type
- 207** Invalid application identification
- 208** Profile in use by existing actions
- 209** Profiles not supported
- 210** Profile tag or name not valid

NFALRTCL /ADDACT

Syntax_{num}:



Purpose of Command

This command adds an alert action based on the matching rules.

Parameter Descriptions

- /ADDAPP** Specifies the application identification string to be added to the list of matching application identification strings.
- /ADDDATYPE** Specifies a hexadecimal application alert type to be added to the matching list.
- /ADDDTYPE** Specifies the standard alert type to be added to the list of matching alert types.
- /ADDSEV** Specifies the alert severity (0–7) to be added to the matching list.
- /ADDSENDER** Specifies the sender path string to be added to the matching list.
- /N** Specifies the network path to the target system.
- /PARM_{num}** Specifies the parameter number *num* of the action (0–4). Each alert action can have from 0 to 4 parameters. The first is parm0, the second is parm1, and so on. The meaning of each parameter is specific to the action specified.

NFALRTCL /ADDACT

/S Specifies the system name for the target system.

Command Responses

The output appears as follows:

```
TAG=0xNNNNNNNN
```

where TAG value is a unique identifier for the new action.

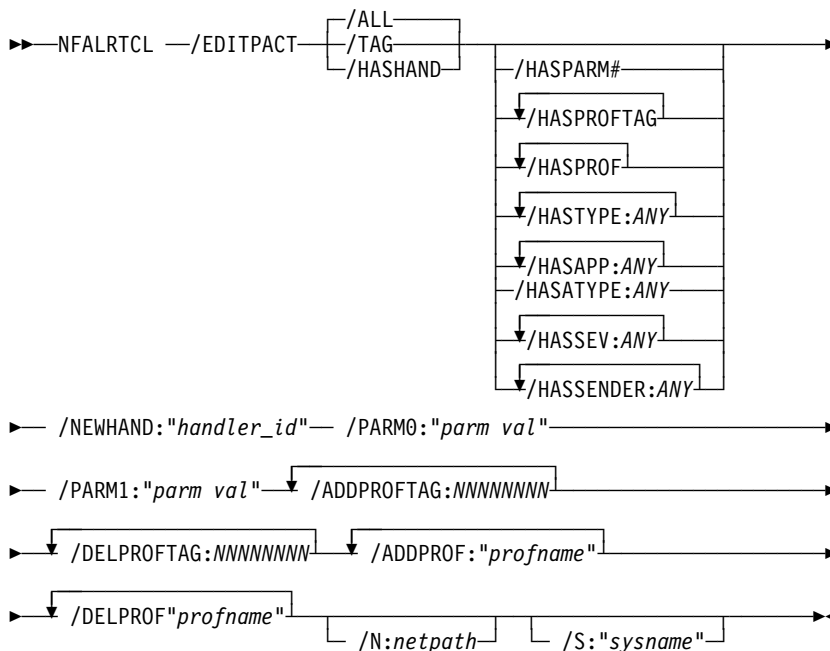
NFALRTCL /ADDACT returns the following tool-specific codes:

Return Code Description

200	Alert log tag not valid
201	Alert action tag not valid
202	Alert handler not valid
203	Alert action match not found
204	Invalid alert type
205	Invalid alert severity
206	Invalid application alert type
207	Invalid application identification
208	Profile in use by existing actions
209	Profiles not supported
210	Profile tag or name not valid

NFALRTCL /EDITPACT

Syntax



Purpose of Command

This command edits the alert action profile with the given tag.

Parameter Descriptions

- /ALL** Selects all configured actions.
- /ADDPROF** Specifies the string name of the profile to be added to the list of profiles for the action.
- /ADDPROFTAG** Specifies a hexadecimal tag for the profile to be added to the list of profiles for the action.
- /DELPROF** Specifies the string name of the profile to be removed from the list of profiles for the action.

- /DELPROFTAG** Specifies a a hexadecimal tag for the profile to be removed from the list of profiles for the action.
- /HASAPP** Specifies the application identifications matched by actions to select. Only actions that match all provided identifications will be selected. Actions that match on any type (that is, any alert type) are only specified with /HASAPP:ANY.
- /HASATYPE** Specifies the hexadecimal application alert types matched by the actions to select. Only actions that match all provided types will be selected. Actions that match on any application alert type can only be specified with the /HASATYPE:ANY command.
- /HASHAND** Specifies the handler ID of the actions to select.
- /HASPARM#** Specifies the parameter number (0-3) of actions to select.
- /HASPROF** value is the name of the profile used by the actions to select. Only actions that contain all provided profile names will be selected.
- /HASPROFTAG** Specifies the hexadecimal profile tag possessed by actions to select. Only actions that contain all provided profile tags will be selected.
- /HASSENDER** Specifies the sender path matched by the actions to select. Only actions that match all of the provided sender paths can be specified. Actions that match on any sender can only be specified with the /HASSENDER:ANY command.
- /HASSEV** Specifies the alert severity matched by the actions to select. Only actions that match all of the provided severities will be selected. Actions that match on any severity only can be specified with the HASSEV:ANY command.

NFALRTCL /EDITPACT

/HASTYPE	Specifies the standard alert type matched by the actions to select. Only actions that match all provided types will be selected. Actions that match on any type (that is, any alert type) are only specified with /HASTYPE:ANY.
/NEWHAND	Specifies a new handler identifier for the action.
/PARM0	Specifies a new value for the parameter number of the action (0-3).
/PARM1	Specifies a new value for the parameter number of the action (0-3).
/N	Specifies the network path to the target system.
/S	Specifies the system name for the target system.
/TAG	Specifies the hexadecimal identifier of a specific action.

Command Responses

The output for each specified action appears as follows:

```
TAG=0xNNNNNNNN
```

where TAG is a unique identifier for the edited action.

NFALRTCL /EDITPACT returns the following tool-specific codes:

Return Code Description

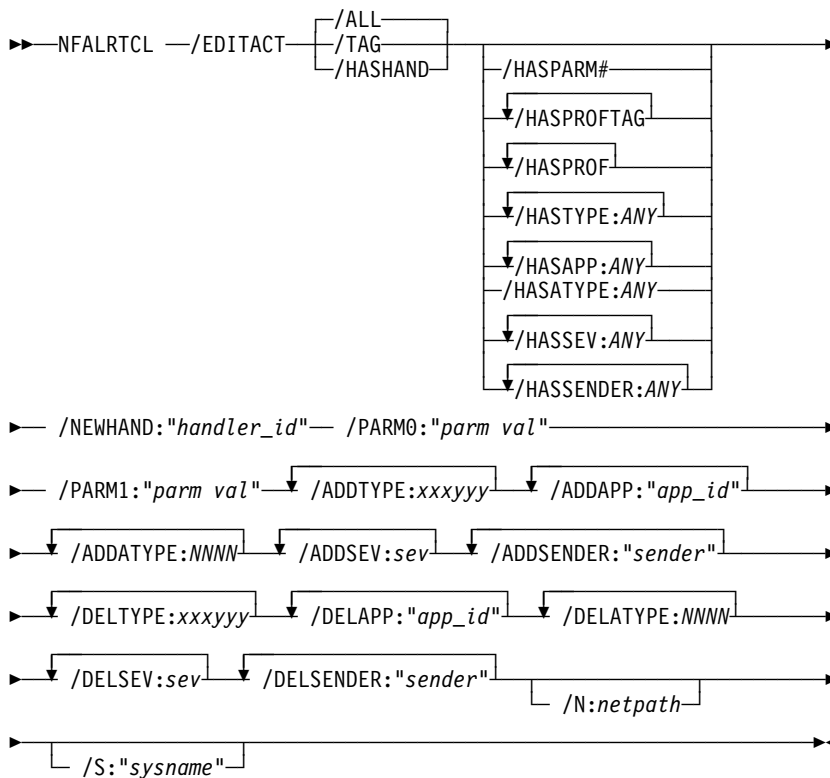
200	Alert log tag not valid
201	Alert action tag not valid
202	Alert handler not valid
203	Alert action match not found
204	Invalid alert type
205	Invalid alert severity
206	Invalid application alert type

NFALRTCL /EDITPACT

- 207** Invalid application identification
- 208** Profile in use by existing actions
- 209** Profiles not supported
- 210** Profile tag or name not valid

NFALRTCL /EDITACT

Syntax



Purpose of Command

This command edits the alert action with the given tag.

Parameter Descriptions

- /ADDTYPE** Specifies a standard alert type to be added to the list of matching alert types.
- /ADDAPP** Specifies the application identification string to be added to the list of matching application identifiers.

NFALRTCL /EDITACT

- /ADDDATATYPE** Specifies the hexadecimal application alert type to be added to the matching list.
- /ADDSEV** Specifies the alert severity (0–7) to be added to the matching list.
- /ADDSENDER** Specifies the sender path string to be added to the matching list.
- /ALL** Selects all configured actions.
- /DELTYPE** Specifies the standard alert type to be removed from the list of matching alert types.
- /DELAPP** Specifies the application identification string to be removed from the list of matching application identifiers.
- /DELATATYPE** Specifies a hexadecimal application alert type to be removed from the matching list.
- /DELSEV** Specifies the alert severity (0–7) to remove from the matching list.
- /DELSENDER** Specifies the sender path string to remove from the matching list.
- /HASAPP** Specifies the application identifications matched by actions to select. Only actions that match all provided identifications will be selected. Actions that match on any type (that is, any alert type) are only specified with /HASAPP:ANY.
- /HASATYPE** Specifies the hexadecimal application alert types matched by the actions to select. Only actions that match all provided types will be selected. Actions that match on any application alert type can only be specified with the /HASATYPE:ANY command.
- /HASHAND** Specifies the handler ID of the actions to select.
- /HASPARM#** Specifies the parameter number (0–3) of actions to select.

NFALRTCL /EDITACT

- /HASPROF** Specifies the name of the profile used by the actions to select. Only actions that contain all provided profile names will be selected.
- /HASPROFTAG** Specifies a hexadecimal profile tag possessed by actions to select. Only actions that contain all provided profile tags will be selected.
- /HASSENDER** Specifies the sender path matched by the actions to select. Only actions that match all of the provided sender paths can be specified. Actions that match on any sender can only be specified with the /HASSENDER:ANY command.
- /HASSEV** Specifies the alert severity matched by actions to select. Only actions that match all of the provided severities will be selected. Actions that match on any severity only can be specified with the HASSEV:ANY command.
- /HASTYPE** Specifies the standard alert type matched by the actions to select. Only actions that match all provided types will be selected. Actions that match on any type (that is, any alert type) are only specified with /HASTYPE:ANY.
- /N** Specifies the network path to the target system.
- /NEWHAND** Specifies a new handler identifier for the action.
- /PARM0** Specifies a new value for the parameter number of the action (0-3)
- /PARM1** Specifies a new value for the parameter number of the action (0-3)
- /S** Specifies the system name for the target system.
- /TAG** Specifies the hexadecimal identifier of a specific action.

Command Responses

The output for each specified action appears as follows:

```
TAG=0xNNNNNNNN
```

where TAG is a unique identifier for the edited action.

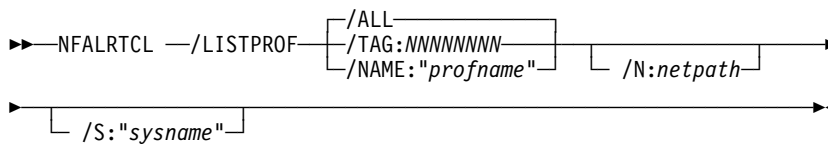
NFALRTCL /EDITACT returns the following tool-specific codes:

Return Code Description

200	Alert log tag not valid
201	Alert action tag not valid
202	Alert handler not valid
203	Alert action match not found
204	Invalid alert type
205	Invalid alert severity
206	Invalid application alert type
207	Invalid application identification
208	Profile in use by existing actions
209	Profiles not supported
210	Profile tag or name not valid

NFALRTCL /LISTPROF

Syntax



Purpose of Command

This command lists all of the specified alert profiles.

Parameter Descriptions

/ALL	Selects all profiles.
/N	Specifies the network path to the target system.
/NAME	Specifies the name of the profile to select.
/S	Specifies the system name for the target system.
/TAG	Specifies the tag of the profile to select.

Command Responses

The output for each specified alert profile follows:

```

{ TAG=0xNNNNNNNN, NAME="profile name", PROFTAG:{ 0xNNNNNNNN, ... }
  TYPES={ alert_type, ... }, APPS+{"app_id", ... },
  ATYPES+{ atype, ... }, SEVS= { sev, ... },
  SENDERS={ "sender", ... }, others }
  
```

where:

- TAG is a unique identifier for the profile.
- NAME value is a string identifier for the alert profile.
- PROFTAG value is a bracketed list of hexadecimal tag identifiers for profiles that define the profile.
- TYPES value is a bracketed list of standard alert types, with an empty list indicating ANY. This value is only present if the profiles are not used for an action.

NFALRTCL /LISTPROF

- APPS value is a bracketed list of application identification strings, with an empty list indicating ANY. This is only present if the profiles are not used for an action.
- ATYPES value is a bracketed list of hexadecimal numbers for the application alert types, with an empty list indicating ANY. This is present only if the profiles are not used for the action.
- SEVS value is a bracketed list of alert severities, with an empty list indicating ANY. This is present only if profiles are not used for the action.
- SENDERS value is a bracketed list of send path strings, with an empty list indicating ANY. This is present only if the profiles are not used for the action.

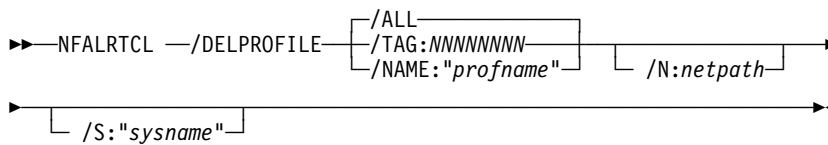
NFALRTCL /LISTPROOF returns the following tool-specific codes:

Return Code Description

200	Alert log tag not valid
201	Alert action tag not valid
202	Alert handler not valid
203	Alert action match not found
204	Invalid alert type
205	Invalid alert severity
206	Invalid application alert type
207	Invalid application identification
208	Profile in use by existing actions
209	Profiles not supported
210	Profile tag or name not valid

NFALRTCL /DELPROFILE

Syntax



Purpose of Command

This command deletes all specified alert profiles.

Parameter Descriptions

/ALL	Selects all profiles.
/N	Specifies the network path to the target system.
/NAME	Specifies the name of the profile to select.
/S	Specifies the system name for the target system.
/TAG	Specifies the tag of the profile to select.

Command Responses

The output for each specified alert profile follows:

```
TAG=0xNNNNNNNN
```

where TAG is a unique identifier for the deleted action.

NFALRTCL /DELPROFILE returns the following tool-specific codes:

Return Code Description

200	Alert log tag not valid
201	Alert action tag not valid
202	Alert handler not valid
203	Alert action match not found
204	Invalid alert type

NFALRTCL /DELPROFILE

- 205** Invalid alert severity
- 206** Invalid application alert type
- 207** Invalid application identification
- 208** Profile in use by existing actions
- 209** Profiles not supported
- 210** Profile tag or name not valid

NFALRTCL /ADDCPROF

Syntax

```

NFALRTCL — /ADDCPROF:"profname:" /ADDCPROFTAG:NNNNNNNN
/ADDCPROF:"profname" /N:netpath /S:"sysname"

```

Purpose of Command

This command adds a profile based on the composite profiles.

/ADDCPROF Specifies the name of the profile to be added to the list of profiles for the action.

/ADDCPROFTAG Specifies the hexadecimal tag for the profile to be added to the list of profiles for the action.

/N Specifies the network path to the target system.

/S Specifies the system name for the target system.

Command Responses

The output is as follows:

```
TAG=0xNNNNNNNN
```

where TAG is a unique identifier assigned to the new action.

NFALRTCL /ADDCPROF returns the following tool-specific codes:

Return Code Description

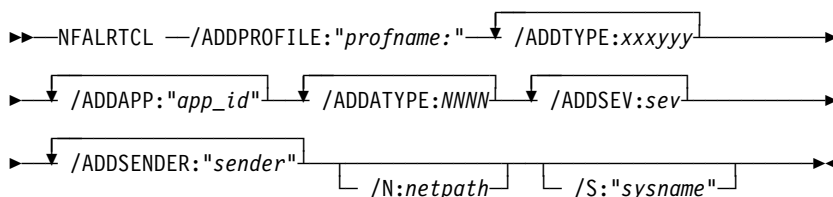
200	Alert log tag not valid
201	Alert action tag not valid
202	Alert handler not valid
203	Alert action match not found
204	Invalid alert type

NFALRTCL /ADDCPROF

- 205** Invalid alert severity
- 206** Invalid application alert type
- 207** Invalid application identification
- 208** Profile in use by existing actions
- 209** Profiles not supported
- 210** Profile tag or name not valid

NFALRTCL /ADDPFILE

Syntax



Purpose of Command

This command adds a profile based on the matching rules.

Parameter Descriptions

- /ADDAPP** Specifies the application identification string to add to the list of matching application identifiers.
- /ADDTYPE** Specifies the hexadecimal application alert type to add to the matching list.
- /ADDSENDER** Specifies the sender path string to add to the matching list.
- /ADDSEV** Specifies the alert severity (0–7) to add to the matching list.
- /ADDTYPE** Specifies the standard alert type to add to the list of matching alert types.
- /N** Specifies the network path to the target system.
- /S** Specifies the system name for the target system.

Command Responses

The output is as follows:

```
TAG=0xNNNNNNNNN
```

where TAG is a unique identifier assigned to the new action.

NFALRTCL /ADDPFILE

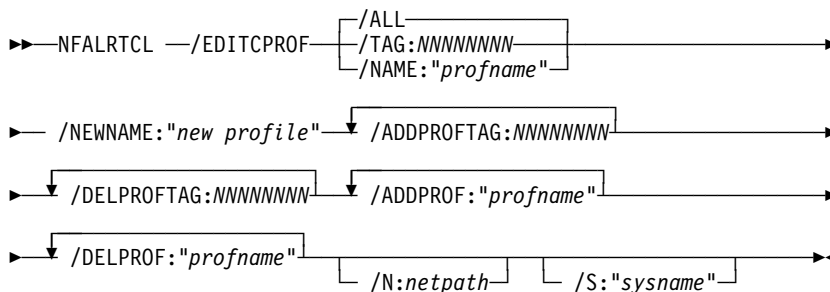
NFALRTCL /ADDPFILE returns the following tool-specific codes:

Return Code Description

200	Alert log tag not valid
201	Alert action tag not valid
202	Alert handler not valid
203	Alert action match not found
204	Invalid alert type
205	Invalid alert severity
206	Invalid application alert type
207	Invalid application identification
208	Profile in use by existing actions
209	Profiles not supported
210	Profile tag or name not valid

NFALRTCL /EDITCPROF

Syntax



Purpose of Command

This command edits the specified composite profiles.

Parameter Descriptions

/ADDPROF Specifies the name of the profile to be added to the list of profiles for the action.

/ADDPROFTAG Specifies the hexadecimal tag for the profile to be added to the list of profiles for the action.

/ALL Selects all profiles.

/DELPROF Specifies the string name of the profile to be removed from the list of profiles for the action.

/DELPROFTAG Specifies a hexadecimal tag for the profile to be removed from the list of profiles for the action.

/NAME Specifies the name of the profile to select.

/NEWNAME Specifies the new profile name.

/N Specifies the network path to the target system.

/S Specifies the system name for the target system.

NFALRTCL /EDITCPROF

/TAG Specifies the tag of the profile to select.

Command Responses

The output is as follows:

```
TAG=0xNNNNNNNN
```

where TAG is a unique identifier for the edited action.

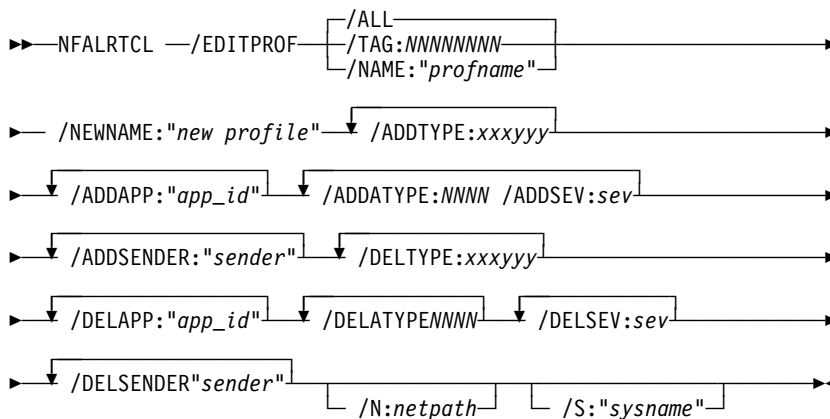
NFALRTCL /EDITCPROF returns the following tool-specific codes:

Return Code Description

200	Alert log tag not valid
201	Alert action tag not valid
202	Alert handler not valid
203	Alert action match not found
204	Invalid alert type
205	Invalid alert severity
206	Invalid application alert type
207	Invalid application identification
208	Profile in use by existing actions
209	Profiles not supported
210	Profile tag or name not valid

NFALRTCL /EDITPROF

Syntax



Purpose of Command

This command edits the specified profiles.

Parameter Descriptions

- /ADDAPP** Specifies the application identification string to add to the list of matching application identifiers.
- /ADDTYPE** Specifies the hexadecimal application alert type to be added to the matching list.
- /ADDSENDER** Specifies the sender path string to be added to the matching list.
- /ADDSEV** Specifies the alert severity (0-7) to be added to the matching list.
- /ADDTYPE** Specifies the standard alert type to be added to the list of matching alert types.
- /ALL** Selects all profiles.

NFALRTCL /EDITPROF

/DELAPP	Specifies the application identification string to be removed from the list of matching application identifiers.
/DELATYPE	Specifies the hexadecimal application alert type to be removed from the matching list.
/DELSENDER	Specifies the sender path string to be removed from the matching list.
/DELSEV	Specifies the alert severity (0–7) to be removed from the matching list.
/DELTYPE	Specifies the standard alert type to be removed from the list of matching alert types.
/N	Specifies the network path to the target system.
/NAME	Specifies the name of the profile to select.
/NEWNAME	Specifies the new profile name.
/S	Specifies the system name for the target system.
/TAG	Specifies the tag of the profile to select.

Command Responses

The output is as follows:

```
TAG=0xNNNNNNNN
```

where TAG is a unique identifier for the edited action.

NFALRTCL /EDITPROF returns the following tool-specific codes:

Return Code Description

200	Alert log tag not valid
201	Alert action tag not valid
202	Alert handler not valid
203	Alert action match not found
204	Invalid alert type

NFALRTCL /EDITPROF

- 205** Invalid alert severity
- 206** Invalid application alert type
- 207** Invalid application identification
- 208** Profile in use by existing actions
- 209** Profiles not supported
- 210** Profile tag or name not valid

Critical File Monitor CLI (NFCRTFCL)

Information on the Netfinity Critical File Monitor command-line tool NFCRTFCL follows.

NFCRTFCL /?

NFCRTFCL /?

Syntax

▶▶—NFCRTFCL —/?—————▶▶

Purpose of Command

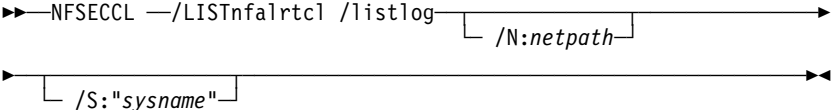
This command displays command line help for NFCRTFCL.

Parameter Descriptions

/? Displays the command line help.

NFCRTFCL /LIST

Syntax



Purpose of Command

This command lists information about monitored files.

Parameter Descriptions

- /LIST** Lists information for all monitored files.
- /N** Specifies the network path to the target system.
- /S** Specifies the system name for the target system.

Command Responses

The output for each group specified by NFCRTFCL/LIST appears as follows:

```
{ FILE="fully_qualified_path", SEV=x, TYPE=
file type, NTFY=enabled/disabled LOCALNTFY=enabled/disabled}.
```

where:

- FILE value is the string for the fully qualified path to file
- SEV value is the severity of the alert that will be generated (0-7)
- TYPE value is the type of file being monitored, either SYSTEM_FILE or STANDARD_FILE
- NTFY value is notify state in respect to the managing system (ENABLED or DISABLED)
- LOCALNTFY value is notify state for local system notification (ENABLED or DISABLED)

NFCRTFCL /LIST returns the following tool-specific return codes:

NFCRTFCL /LIST

Return Code	Description
200	Fully qualified path missing
201	Fully qualified path invalid
202	File name (without path) missing
203	File name (without path) invalid
204	Severity missing
205	Severity invalid
206	Severity out of range

NFCRTFCL /DELSYS

Syntax

```

▶▶NFCRTFCL --/DELSYS:filename_without_path [ /N:netpath ]
▶ [ /S:"sysname" ]

```

Purpose of Command

This command deletes a system file from the list of monitored files.

Parameter Descriptions

- /DELSYS** Specifies the name of the system file to be deleted from the monitored file list. Specify only the file name; do not include the path.
- /N** Specifies the network path to the target system.
- /S** Specifies the system name for the target system.

Command Responses

NFCRTFCL /DELSYS returns the following tool-specific return codes:

Return Code	Description
202	File name (without path) missing
203	File name (without path) invalid
204	Severity missing
205	Severity invalid
206	Severity out of range

NFCRTFCL /DELSTD

Syntax

```

▶▶ NFCRTFCL --/DELSTD:fully_qualified_path ───────────────────────────────────▶
└── /N:netpath ─────────────────────────────────────────────────────────────────┘
└── /S:"sysname" ─────────────────────────────────────────────────────────────────┘

```

Purpose of Command

This command deletes a standard file from the list of monitored files.

Parameter Descriptions

- /DELSTD** Specifies the standard file to be deleted from the monitored file list. Specify the fully qualified path to the file.
- /N** Specifies the network path to the target system.
- /S** Specifies the system name for the target system.

Command Responses

NFCRTFCL /DELSTD returns the following tool-specific return codes:

Return Code	Description
200	Fully qualified path missing
201	Fully qualified path invalid
202	File name (without path) missing
203	File name (without path) invalid
204	Severity missing
205	Severity invalid
206	Severity out of range

NFCRTFCL /SETSYS

Syntax

```

▶▶ NFCRTFCL —/SETSYS:filename_without_path—/SEV:x————▶
▶————▶
  ┌ /NTFY:enabled/disabled ─┐ ┌ /LOCALNTFY:enabled/disabled ─┐
▶————▶
  ┌ /N:netpath ─┐ ┌ /S:"sysname" ─┐
▶————▶

```

Purpose of Command

This command adds a new system file to be monitored or changes the alert severity of a system file already being monitored.

Parameter Descriptions

/N	Specifies the network path to the target system.
/S	Specifies the system name for the target system.
/NTFY	Specifies the notify state in respect to the managing system (ENABLED or DISABLED).
/LOCALNTFY	Specifies the notify state for local system notification (ENABLED or DISABLED).
/SETSYS	Specifies the name of the file to be added to the monitored list or to have its code changed. Specify only the file name; do not include the path.
/SEV	Specifies the severity of the alert to be generated (0-7).

Command Responses

NFCRTFCL /SETSYS returns the following tool-specific return codes:

Return Code	Description
202	File name (without path) missing
203	File name (without path) invalid

NFCRTFCL /SETSYS

204	Severity missing
205	Severity invalid
206	Severity out of range

NFCRTFCL /SETSTD

Syntax

```

▶▶ NFCRTFCL --/SETSTD:fully_qualified_path--/SEV:x
▶
┌ /NTFY:enabled/disabled ─┐ ┌ /LOCALNTFY:enabled/disabled ─┐
▶──────────────────────────▶
┌ /N:netpath ─┐ ┌ /S:"sysname" ─┐
▶──────────────────────────▶

```

Purpose of Command

This command adds a new standard file to be monitored or changes the alert severity of a standard file already being monitored.

Parameter Descriptions

/N	Specifies the network path to the target system.
/S	Specifies the system name for the target system.
/NTFY	Specifies the notify state in respect to the managing system (ENABLED or DISABLED).
/LOCALNTFY	Specifies the notify state for local system notification (ENABLED or DISABLED).
/SETSTD	Specifies the name and fully qualified path of the file to be added to the monitored list or to have its code changed.
/SEV	Specifies the severity of the alert to be generated (0-7).

Command Responses

NFCRTFCL /SETSTD returns the following tool-specific return codes:

Return Code	Description
202	File name (without path) missing
203	File name (without path) invalid

NFCRTFCL /SETSTD

204	Severity missing
205	Severity invalid
206	Severity out of range

Process Manager CLI (NFPROCCL)

Information on the Netfinity Process Manager command-line tool
NFPROCCL follows.

NFPROCCL /?

NFPROCCL /?

Syntax

▶—NFPROCCL —/?—————▶

Purpose of Command

This command displays help for the NFPROCCL command.

NFPROCCL /GETPROC

Syntax

```

▶▶ NFPROCCL — /GETPROC —┬─ /N:netpath ┬─ /S:"sysname" ─▶▶

```

Purpose of Command

This command lists the current process information.

Parameter Descriptions

/N Specifies the network path to the target system.

/S Specifies the system name for the target system.

Command Responses

The output for each active process specified by NFPROCCL /GETPROC appears as follows:

```

{ PROCESS_ID=0xNNNNNNNN, EXENAME="name", CMDLINE="cmd line",
  THREADS=numthrds, FILES=numfiles, PARENT_ID=0xNNNNNNNN,
  SESSION_ID=0xNNNNNNNN, USER_ID="user_id", PRIORITY=prio,
  START_TIME=timedate, EXEVER="version", EXEDATE=date,
  EXEDESC="description", other }

```

where:

- PROCESS_ID value is a hexadecimal number for the process ID.
- EXENAME value is a process name string.
- CMDLINE value is an operating-system-specific command line string.
- THREADS value is an operating-system-specific integer thread count.
- FILES value is an operating-system-specific integer open file count.
- PARENT_ID value is a hexadecimal number for the parent process ID.
- SESSION_ID value is an operating-system-specific hexadecimal number for the session ID.
- USER_ID value is an operating-system-specific user-ID string.

NFPROCCL /GETPROC

- PRIORITY value is an operating-system-specific keyword specifying process priority such as:
 - IDLE
 - LOW
 - BACKGROUND
 - NORMAL
 - FOREGROUND
 - HIGH
 - SERVER
 - TIMECRIT
 - REALTIME
- START_TIME value is an operating-system-specific time stamp for the process start time.
- EXEVER value is an operating-system-specific executable version string.
- EXEDATE value is an operating-system-specific time stamp for the executable file.
- EXEDESC value is an operating-system-specific executable description string.

NFPROCCL /GETPROC returns the following tool-specific codes:

Return Code Description

200	Process monitor tag or name not valid
200	Process monitor tag or name not valid
201	Run command failed

NFPROCCL /RUNCMD

Syntax

```

▶—NFPROCCL — /RUNCMD:"command string" —————▶
                               └─ /N:netpath ─┘
└─ /S:"sysname" ─┘

```

Purpose of Command

This command runs the requested command.

Parameter Descriptions

/RUNCMD	Specifies the command to be run on the target system.
/N	Specifies the network path to the target system.
/S	Specifies the system name for the target system.

Command Responses

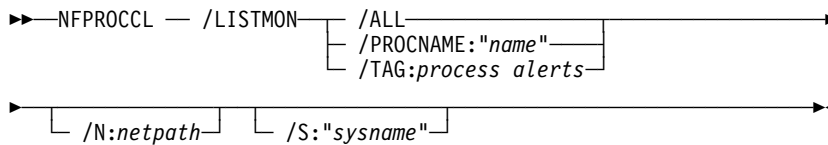
NFPROCCL /RUNCMD returns the following tool-specific codes:

Return Code Description

200	Process monitor tag or name not valid
200	Process monitor tag or name not valid
201	Run command failed

NFPROCCL /LISTMON

Syntax



Purpose of Command

This command lists the process monitors.

Parameter Descriptions

- /ALL** Selects all process monitors.
- /PROCNAME** Selects process monitors with the specified name.
- /N** Specifies the network path to the target system.
- /S** Specifies the system name for the target system.
- /TAG** Selects process monitors with the given tag.

Command Responses

The output for each selected process monitor specified by NFPROCCL /LISTMON appears as follows:

```
{ TAG=0xNNNNNNNN, PROCNAME="process name", SEV=severity, ONSTART=enable,
ONSTOP=enable, ONNORUN=time, NOTIFY=("path",...), others }
```

where:

- TAG value is a hexadecimal unique identifier.
- PROCNAME value is a process name string.
- SEV value is an alert integer with a severity level of 0 to 7.
- ONSTART value is either enabled or disabled.
- ONSTOP value is either enabled or disabled.
- ONNORUN value is either the integer time, in minutes, or disabled.

NFPROCCL /LISTMON

- NOTIFY value is a bracketed list of notify path strings. *Local* is the local system.

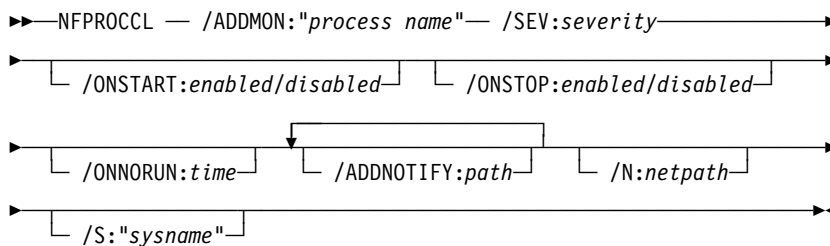
NFPROCCL /LISTMON can issue the following tool-specific codes:

Return Code Description

200	Process monitor tag or name not valid
200	Process monitor tag or name not valid
201	Run command failed

NFPROCCL /ADDMON

Syntax



Purpose of Command

This command adds a new process alert.

Parameter Descriptions

- /ADDNOTIFY** Specifies the optional network path for alert notification. *Local* is the local system. *Here* is the alias for the manager's system (local to NFPROCCL). Multiples are supported.
- /ONNORUN** An optional parameter which is either an integer time in minutes or is disabled. The default is *disabled*.
- /ONSTART** An optional parameter which is either enabled or disabled. The default is *disabled*.
- /ONSTOP** An optional parameter which is either enabled or disabled. The default is *disabled*.
- /N** Specifies the network path to the target system.
- /S** Specifies the system name for the target system.
- /SEV** Specifies the severity of the alert to be generated (0–7).

NFPROCCL /ADDMON

Command Responses

The output for the new process alert specified by NFPROCCL /ADDMON appears as follows:

```
TAG=0xNNNNNNNN
```

where TAG is a unique tag for the new process monitor.

NFPROCCL /ADDMON can issue the following tool-specific return codes:

Return Code Description

200	Process monitor tag or name not valid
201	Run command failed

NFPROCCL /EDITMON

/ONSTART	An optional parameter which is either enabled or disabled. The default is <i>disabled</i> .
/ONSTOP	An optional parameter which is either enabled or disabled. The default is <i>disabled</i> .
/PROCNAME	Select process monitors with the specified name.
/S	Specifies the system name for the target system.
/SEV	Defines severity.
/TAG	Selects process monitors with the given tag.

Command Responses

The output for each selected process monitor being edited is as follows:

```
TAG=0xNNNNNNNN
```

where *TAG* is a unique tag for each edited process monitor.

NFPROCCL can issue the following tool-specific return codes:

Return Code Description

200	Process monitor tag or name not valid
201	Run command failed

System Profile CLI (NFPROFCL)

Information on the Netfinity System Profile command-line tool
NFPROFCL follows.

NFPROFCL /?

NFPROFCL /?

Syntax

▶▶—NFPROFCL —/?—————▶▶

Purpose of Command

This command displays command line help for NFPROFCL.

NFPROFCL /GETALL

Syntax

▶—NFPROFCL —/GETALL—————▶

Purpose of Command

This command retrieves all the attributes and their values from the system profile.

Command Responses

The output for each attribute appears as follows:

attrib="value"

where:

- *attrib* is the name of the attribute (one for each attribute contained in the System Profile).
- *value* is the string, date, or time.

NFPROFCL /GETALL returns the following tool-specific return codes:

Return Code Description

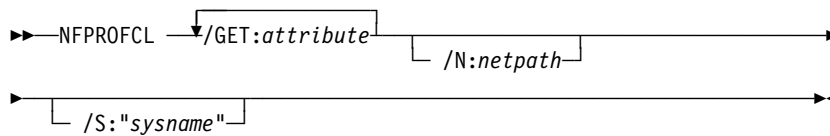
200	Attribute missing
201	Attribute invalid
202	Value missing
203	Value invalid
204	Input file missing
205	Input file format error
206	Date format error
207	Date invalid
208	Date out-of-range
209	Time format error

NFPROFCL /GETALL

- 210** Time invalid
- 211** Time out-of-range

NFPROFCL /GET

Syntax



Purpose of Command

This command retrieves the specified *attribute* and its value.

Parameter Descriptions

- /N** Specifies the network path to the target system.
- /S** Specifies the system name for the target system.

Command Responses

The output for each attribute appears as follows:

```
attrib="value"
```

where:

- *attrib* is the name of the attribute (one for each attribute contained in the System Profile).
- *value* is the string, date, or time.

NFPROFCL /GET returns the following tool-specific return codes:

Return Code Description

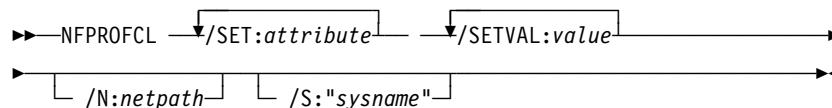
200	Attribute missing
201	Attribute invalid
202	Value missing
203	Value invalid
204	Input file missing
205	Input file format error

NFPROFCL /GET

206	Date format error
207	Date invalid
208	Date out-of-range
209	Time format error
210	Time invalid
211	Time out-of-range

NFPROFCL /SET

Syntax



Purpose of Command

This command sets the specified *attribute* to the specified value.

Parameter Descriptions

<code>/N</code>	Specifies the network path to the target system.
<code>/S</code>	Specifies the system name for the target system.
<code>/SETVAL</code>	Sets the attribute to the specified value. The value can have a maximum of 32 characters. Any characters beyond 32 will be truncated.

Command Responses

NFPROFCL /SET returns the following tool-specific return codes:

Return Code Description

200	Attribute missing
201	Attribute invalid
202	Value missing
203	Value invalid
204	Input file missing
205	Input file format error
206	Date format error
207	Date invalid
208	Date out-of-range
209	Time format error

NFPROFCL /SET

- 210** Time invalid
- 211** Time out-of-range

NFPROFCL /SETMANY

Syntax

```

NFPROFCL --/SETMANY-- --/INPUT:file_name----->
                                     |-----|
                                     | /N:netpath |
----->
|-----|
| /S:"sysname" |

```

Purpose of Command

This command sets multiple attributes to the values specified in the input file.

Parameter Descriptions

/INPUT	Specifies the name of the input file. The input file must be formatted with one line for each attribute as <i>attrib="value"</i> . The value can have a maximum of 32 characters. Any characters beyond 32 will be truncated.
/N	Specifies the network path to the target system.
/S	Specifies the system name for the target system.

Command Responses

NFPROFCL /SET returns the following tool-specific return codes:

Return Code Description

200	Attribute missing
201	Attribute invalid
202	Value missing
203	Value invalid
204	Input file missing
205	Input file format error
206	Date format error

NFPROFCL /SETMANY

207	Date invalid
208	Date out-of-range
209	Time format error
210	Time invalid
211	Time out-of-range

Service Configuration Manager CLI (NFREPLCL)

Information on the Netfinity Service Configuration Manager command-line tool NFREPLCL follows.

NFREPLCL /?

NFREPLCL /?

Syntax

►—NFREPLCL —/?—————◄

Purpose of Command

This command displays command line help for NFREPLCL.

NFREPLCL /LISTFILES

Syntax

```

▶▶ NFREPLCL --/LISTFILES [ /N:netpath ] [ /S:"sysname" ] ▶▶

```

Purpose of Command

This command shows all configuration files for the service configuration manager.

Parameter Descriptions

/N Specifies the network path to the target system.

/S Specifies the system name for the target system.

Command Responses

The output for each group specified by NFREPLCL/LISTFILES appears as follows:

```
{ FILE="filename_from_SCF-dir", DESC="description of file}
```

where:

- FILE is the full name of the SCF file.
- DESC is the description of the SCF file.

NFREPLCL /LISTFILES returns the following tool-specific return codes:

Return Code	Description
200	Means of dealing with service configuration not found. Generally, this would be a service name that was specified incorrectly or a missing SCF*.DLL.

NFREPLCL /LISTREMOTES

Syntax

```
►►NFREPLCL —/LISTREMOTES [ /N:netpath ] [ /S:"sysname" ] ►►
```

Purpose of Command

This command shows available remote systems.

Parameter Descriptions

- /N** Specifies the network path to the target system.
- /S** Specifies the system name for the target system.

Command Responses

The output for each group specified by NFREPLCL/LISTREMOTES appears as follows:

```
{ NAME="system name", PATH="system netpath,"
```

where:

- NAME is the name of the remote system.
- PATH is Netfinity network path used to connect with the remote system (for example, NETBIOS::MYSYSTEM).

NFREPLCL /LISTREMOTES returns the following tool-specific return codes:

Return Code	Description
200	Means of dealing with service configuration not found. Generally this would be a service name that was incorrectly specified or a missing SCF*.DLL.

NFREPLCL /LISTSERVICES

Syntax

```

▶▶NFSECL —/LISTSERVICES [ /N:netpath ] [ /S:"sysname" ] ▶▶
  
```

Purpose of Command

This command shows the services available to save.

Parameter Descriptions

/N Specifies the network path to the target system.

/S Specifies the system name for the target system.

Command Responses

The output for each group specified by NFREPLCL /LISTSERVICES appears as follows:

```
{ NAME="service name SERVICE="service }.
```

where:

- NAME is the full name of the service (for example, "Critical File Monitor").
- SERVICE is the service ID used by Netfinity to identify the service (for example, "CFMBase").

NFREPLCL /LISTSERVICES returns the following tool-specific return codes:

Return Code	Description
200	Means of dealing with service configuration not found. Generally this would be a service name that was incorrectly specified or a missing SCF*.DLL.

NFREPLCL /SHOW

Syntax

```

▶▶ /SHOW:filename_from_SCF_dir _____▶
    |_____ /N:netpath_____
▶ |_____ /S:"sysname"_____▶

```

Purpose of Command

This command is a summary of the contents of the configuration file.

Parameter Descriptions

- /N** Specifies the network path to the target system.
- /S** Specifies the system name for the target system.
- /SHOW** Summarizes the contents of the configuration file.

Command Responses

The output for each group specified by NFREPLCL /SHOW appears as follows:

```
{ SERVICE="name",DESC='description', SYSTEM="sys_name",
DATE="time_and date", SUBSETS={{NAME="name_of_subset", ID=NNN,
RECORDS={{REC=NNN.NNN, DESC="description of record"}, ...}}, ...}}.
```

where:

- SERVICE is the full name of the Netfinity service.
- DESC is the description of the SCF file.
- SYSTEM is the name of the system that the configuration was gathered from.
- DATE is the time and date when the configuration was saved.
- NAME is the name of the subset of configuration records.
- RECORDS contains all configuration record subsets with ID, REC, and DESC values.
 - ID="NNN" is the 0-index number of the subset.

NFREPLCL /SHOW

- REC="NNN.NNN" is the 0-index number of the subset followed by a period and the 0-index number of the record in the subset.
- DESC is a description of the record subset.

NFREPLCL /SHOW returns the following tool-specific return codes:

Return Code	Description
200	Means of dealing with service configuration not found. Generally, this would be a service name that was incorrectly specified or a missing SCF*.DLL.

NFREPLCL /PRUNE

NFREPLCL /PRUNE

Syntax

```
►►NFREPLCL —/PRUNE:filename_from_SCF_dir—/REC:NNN.NNN ...►►  
└─ /N:netpath ─┘ └─ /S:"sysname" ─┘
```

Purpose of Command

This command prunes the listed record from the file.

Parameter Descriptions

- /N** Specifies the network path to the target system.
- /PRUNE** Specifies the file to be pruned from the configuration file.
- /REC** Shows the record number of the file to be pruned. REC is the 0-index number of the subset followed by a period and the 0-index number of the record in the subset.
- /S** Specifies the system name for the target system.

Command Responses

NFREPLCL /PRUNE returns the following tool-specific return codes:

Return Code	Description
200	Means of dealing with service configuration not found. Generally, this would be a service name that was incorrectly specified or a missing SCF*.DLL.

NFREPLCL /DELETE

Syntax

```

NFREPLCL --/DELETE:filename_from_SCF_dir [ /N:netpath ]
[ /S:"sysname" ]
    
```

Purpose of Command

This command deleted the listed record from the file.

Parameter Descriptions

- /DELETE** Specifies the file to be deleted from the configuration file.
- /N** Specifies the network path to the target system.
- /S** Specifies the system name for the target system.

Command Responses

NFREPLCL /DELETE returns the following tool-specific return codes:

Return Code	Description
200	Means of dealing with service configuration not found. Generally, this would be a service name that was incorrectly specified or a missing SCF*.DLL.

NFREPLCL /SAVE

Syntax

```

▶▶NFREPLCL —/SAVE:filename—/SERVICE:service—/REMOTE:netpath—▶
▶—/SYSNAME:system_name—/DESC:description—┌ /N:netpath┐▶
▶┌ /S:"sysname"┐▶▶
  
```

Purpose of Command

This command saves the listed service from the system to the file.

Parameter Descriptions

/DESC	Specifies the description to give to the file.
/N	Specifies the network path to the target system.
/REMOTE	Specifies the path to the remote system.
/S	Specifies the system name for the target system.
/SAVE	Specifies the name of the file to go into the SCF directory.
/SERVICE	Specifies the service file to be saved from the system to the file, where SERVICE refers to the Netfinity name of the services (for example, "Alert Mgr").
/SYSNAME	Specifies the name of the remote system.

Command Responses

NFREPLCL /SAVE returns the following tool-specific return codes:

Return Code	Description
200	Means of dealing with service configuration not found. Generally, this would be a service name that was incorrectly specified or a missing SCF*.DLL.

NFREPLCL /RESTORE

Syntax

```
►—NFREPLCL —/RESTORE:filename—/REMOTE:netpath—/CLEAN—►
►—┌ /N:netpath┐ ┌ /S:"sysname"┐—►
```

Purpose of Command

This command restores the service from the file to the system.

Parameter Descriptions

- /CLEAN** Deletes the old configuration before restoring the service from the file to the system.
- /N** Specifies the network path to the target system.
- /REMOTE** Specifies the path to the remote system to be used to restore the service.
- /RESTORE** Specifies the name of the file from the SCF directory to be restored.
- /S** Specifies the system name for the target system.

Command Responses

NFREPLCL /RESTORE returns the following tool-specific return codes:

Return Code	Description
200	Means of dealing with service configuration not found. Generally, this would be a service name that was incorrectly specified or a missing SCF*.DLL.

Remote System Manager CLI (NFRSYSCL)

Information on the Netfinity Remote System Manager command-line tool NFRSYSCL follows.

NFRSYSCL /?

NFRSYSCL /?

Syntax

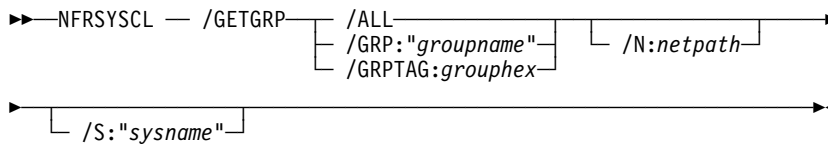
▶▶—NFRSYSCL —/?—————▶▶

Purpose of Command

This command displays command-line help for NFRSYSCL.

NFRSYSCL /GETGRP

Syntax



Purpose of Command

This command lists the attributes of selected system groups.

Parameter Descriptions

/ALL	Lists the attributes of all groups.
/GRP	Specifies the name of a group to select.
/GRPTAG	Specifies the hexadecimal group tag of a group to select.
/N	Specifies the network path to the target system.
/S	Specifies the system name for the target system.

Command Responses

The output for each group specified by NFRSYSCL /GETGRP appears as follows:

```
{ GRPTAG=0xgrouphex, GRPNAME="group_name", COMBO=keycode,
KWD={ keyword, ... }, OS_MASK={os, ...}, AUTODISC=minutes,
PROTO_MASK={protocol, ...}, DEFONLN=online_not, DEFOFFLN=offline_not ,
DEFPING=ping_int }
```

where:

- GRPTAG value is a hexadecimal identifier for the group.
- GRPNAME value is a string name for the group.
- COMBO value is the keyword combination code (possible values are ALL, ANY, ONE).
- KWD value is a bracketed list of string keyword values.

NFRSYSCL /GETGRP

- OS_MASK value is a bracketed list of operating system types to exclude from discovery (possible values are OS2, WINDOWS, NETWARE, WINDOWS_NT, AIX, VINES, DOS, UNIX, OS_400, WINDOWS_95).
- PROTO_MASK value is a bracketed list of protocol types to exclude from discovery (possible values are NETBIOS, TCPIP, IPX, SERIPC, SNA).
- AUTODISC value is the number of minutes between each auto discovery (NONE if auto discovery is not enabled. This attribute is not returned on managers that do not support auto discovery)
- DEFONLN value is the default online notification severity (possible values are 0-7, DISABLED, or NONE)
- DEFOFFLN value is the default offline notification severity (possible values are 0-7, DISABLED, or NONE)
- DEFPING value is the default ping interval in seconds (possible values are 15 or higher, or NONE).

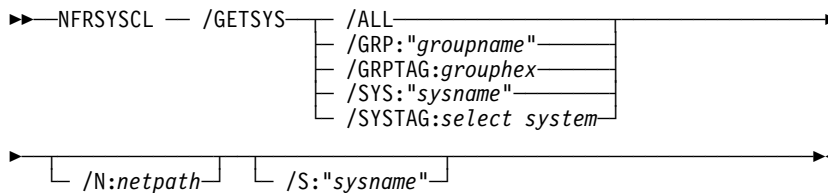
NFRSYSCL /GETGRP returns the following tool-specific return codes:

Return Code Description

200	Group name not defined
201	System name not defined
202	Group tag not defined
203	System tag not defined
204	Invalid operating system type
205	Invalid protocol type
206	Invalid ping interval
207	Invalid notification severity
208	Invalid auto discovery interval

NFRSYSCL /GETSYS

Syntax



Purpose of Command

This command lists the system attributes of selected systems.

Parameter Descriptions

/ALL	Lists the system attributes of all systems.
/GRP	Specifies the group name of the systems to select.
/GRPTAG	Specifies the hexadecimal group tag of the systems to select.
/N	Specifies the network path to the target system.
/S	Specifies the system name for the target system.
/SYS	Specifies the name of a system to select.
/SYSTAG	Specifies the hexadecimal system tag of a system to select.

Command Responses

The output for each system specified by NFRSYSCL /GETSYS appears as follows:

```

{ SYSTAG=0xgrouphex, SYSNAME="sys_name", PROTO=protocol,
  ADDR=address, ONLINE=status, ONLN=on_notify,
  OFFLN=off_notify, PING=ping_int, GRPLIST={ grp_tags, ... },
  ERRORCOND={ "error", ... }, OS=os, OSVER=version, MANAGER, SERVER,
  MAC=mac_addr, SHUTDOWN, POWERDOWN, WAKEONLAN, WEBMGR, UNIQUE_ID=id_value }
  
```

where:

- SYSTAG value is a hexadecimal identifier for the system.
- SYSNAME value is the string name for the system.
- PROTO value is the protocol used to communicate with the system (possible values include NETBIOS, TCPIP, IPX, SERIPC, SNA, and others).
- ADDR value is the textual address of system used by the *protocol*.
- ONLINE value is TRUE if system is online, FALSE if offline.
- ONLN value is severity of online notification alert (possible values are 0-7 or DISABLED if not enabled)
- OFFLN value is the severity of the offline notification alert (possible values are 0-7 or DISABLED if not enabled).
- PING value is seconds between system pings (possible values are 15 or higher).
- GRPLIST value is a bracketed list of hex tag values for groups of which system is member.
- ERRORCODE value is a bracketed list of “strings” for each error condition currently defined for the system.
- OS value is type of operating system on the system (possible values are UNKNOWN, OS2, WINDOWS, NETWARE, WINDOWS_NT, AIX, VINES, DOS, UNIX, OS_400, and WINDOWS_95)
- OSVER value is the version of the operating system of the system
- MANAGER keyword is present if the specified system is a Netfinity manager.
- SERVER keyword is present if the specified system is a server or running server software.
- MAC value is a hexadecimal number for the system's MAC address or UNKNOWN if not known.
- SHUTDOWN keyword is present if the specified system supports remote shutdown.
- POWERDOWN keyword is present if the specified system supports remote powerdown.
- WAKEONLAN keyword is present if the specified system supports remote Wake on LAN.
- WEBMGR keyword is present if Netfinity Web manager is active on the system.

NFRSYSCL /GETSYS

- UNIQUE_ID value, if present, indicates a 16-digit hexadecimal value provided by the client as a unique system ID (the same system appearing under different protocols will have the same UNIQUE_ID value).

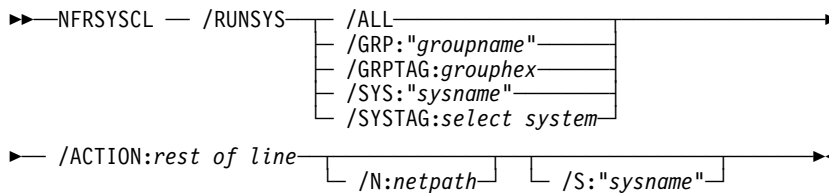
NFRSYSCL /GETSYS returns the following tool-specific return codes:

Return Code Description

200	Group name not defined
201	System name not defined
202	Group tag not defined
203	System tag not defined
204	Invalid operating system type
205	Invalid protocol type
206	Invalid ping interval
207	Invalid notification severity
208	Invalid auto discovery interval

NFRSYSCL /RUNSYS

Syntax



Purpose of Command

This command runs a specified Netfinity Command Line tool on all specified systems.

Parameter Descriptions

/ACTION	Specifies the Netfinity command-line tool to run.
/ALL	Specifies that the tool be run on all systems.
/GRP	Specifies the name of the system group on which the tool is to be run.
/GRPTAG	Specifies the hexadecimal group tag of the system group on which the tool is to be run.
/N	Specifies the network path to the target system.
/S	Specifies the system name for the target system.
/SYS	Specifies the name of the system on which the tool is to be run.
/SYSTAG	Specifies the hexadecimal system tag of the system on which the tool is to be run.

Command Responses

The output for NFRSYSCL /RUNSYS for each specified system appears as follows:

NFRSYSCL /RUNSYS

```
{ SYSTAG=0xgrouphex, SYSNAME="system name", PROTO=protocol,  
ADDR=address, ONLINE=status, OUTPUT={ action output },  
RC=ret_code, others }
```

where:

- SYSTAG value is a hexadecimal identifier for the system.
- SYSNAME value is a string name for the system.
- PROTO value is the protocol used to communicate with the system (possible values include NETBIOS, TCPIP, IPX, SERIPC, SNA, others)
- ADDR value is the textual address of system on PROTO protocol.
- ONLINE value is TRUE if the system is online and FALSE if offline.
- OUTPUT value is the bracketed output from the running tool selected by ACTION against a given system (output is dependent on the Netfinity command-line interface executed).
- RC value is the return code returned by the running tool specified by ACTION against the specified system.

Note: This operation only supports running other Netfinity Manager command-line interface executables which conform to the specifications detailed in this book. It is not for running programs on the targeted systems. See NFPROCCL for remote task execution.

NFRSYSCL /RUNSYS returns the following tool-specific return codes:

Return Code Description

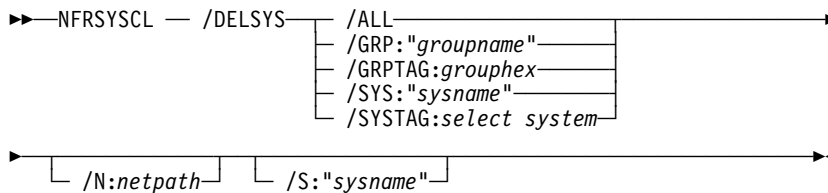
200	Group name not defined
201	System name not defined
202	Group tag not defined
203	System tag not defined
204	Invalid OS type
205	Invalid protocol type
206	Invalid ping interval

NFRSYSCL /RUNSYS

- 207** Invalid notification severity
- 208** Invalid auto discovery interval

NFRSYSCL /DELSYS

Syntax



Purpose of Command

This command deletes all specified systems.

Parameter Descriptions

/ALL	Selects all systems.
/GRP	Specifies the group name of the systems to delete.
/GRPTAG	Specifies the hexadecimal group tag of the systems to delete.
/N	Specifies the network path to the target system.
/S	Specifies the system name for the target system.
/SYS	Specifies the system name of the system to delete.
/SYSTAG	Specifies the hexadecimal system tag of the system to delete.

Command Responses

The output for NFRSYSCL /DELSYS for each specified system appears as follows:

```
SYSTAG=0xgrouphex
```

where *grouphex* is the hexadecimal tag for the deleted system.

NFRSYSCL /DELSYS returns the following tool-specific return codes:

NFRSYSCL /DELSYS

Return Code Description

200	Group name not defined
201	System name not defined
202	Group tag not defined
203	System tag not defined
204	Invalid operating system type
205	Invalid protocol type
206	Invalid ping interval
207	Invalid notification severity
208	Invalid auto discovery interval

NFRSYSCL /ADDSYS

Syntax

```

▶▶ NFRSYSCL — /ADDSYS:"systemname" — /PROTO:protocol —————▶
▶ /ADDR:address —————▶
  └─┬─ /ONLN:online_sev ─┘
  └─┬─ /OFFLN:offline_sev ─┘ └─┬─ /PING:ping_int ─┘
  └─ /ADDGRP:"group name" — /ADDGRPTAG:group_tag —————▶
  └─┬─ /N:netpath ─┘ └─ /S:"sysname" ─┘

```

Purpose of Command

This command adds a new Netfinity system with the given attributes.

Parameter Descriptions

/ADDGRP	Specifies the name of the group to which the system will be added.
/ADDGRPTAG	Specifies the hexadecimal tag of the group to which the system will be added.
/ADDR	Specifies the protocol-specific address of the system to be added.
/ADDSYS	Specifies the name of the system to be added.
/N	Specifies the network path to the target system.
/OFFLN	Specifies the offline notification alert severity. Valid values are 0–7 and DISABLED (the default).
/ONLN	Specifies the online notification alert severity. Valid values are 0–7 and DISABLED (the default).
/PING	Specifies the ping interval for the target system in seconds. The default is 600 seconds.

NFRSYSCL /ADDSYS

- /PROTO** Specifies the communications protocol that is used to communicate with the system to be added. Values include NETBIOS, IPX, TCPIP, SERIPC, and SNA.
- /S** Specifies the system name for the target system.

Command Responses

The output for NFRSYSCL /ADDSYS appears as follows:

```
SYSTAG=0xgrouphex
```

where *grouphex* is the hexadecimal tag assigned to the new system.

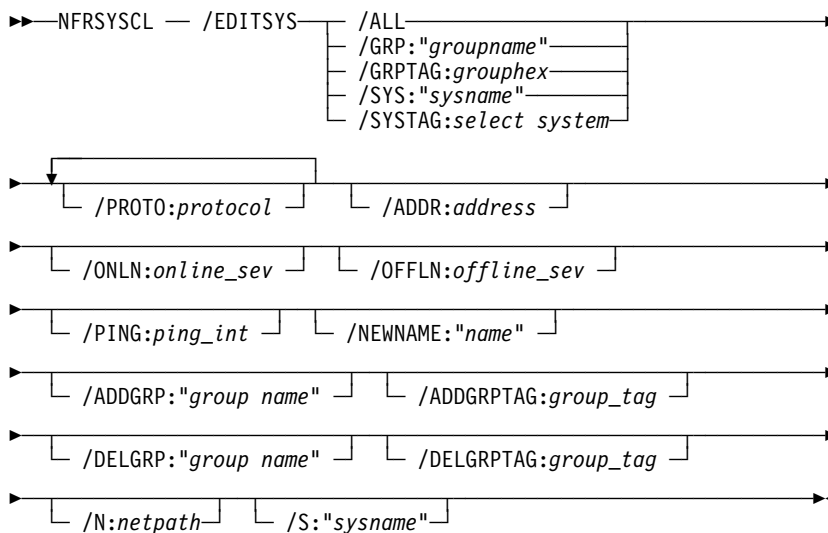
NFRSYSCL /ADDSYS returns the following tool-specific return codes:

Return Code Description

200	Group name not defined
201	System name not defined
202	Group tag not defined
203	System tag not defined
204	Invalid operating system type
205	Invalid protocol type
206	Invalid ping interval
207	Invalid notification severity
208	Invalid auto discovery interval

NFRSYSCL /EDITSYS

Syntax



Purpose of Command

This command modifies the attributes of a Netfinity system.

Parameter Descriptions

/ADDGRP Specifies the name of a new group to which the system will be added. You can specify more than one *group_name*.

/ADDGRPTAG Specifies the hexadecimal tag of a new group to which the system will be added. You can specify more than one *group_tag*.

/ADDR Specifies a new protocol-specific address for the system.

/ALL Selects all systems.

NFRSYSCL /EDITSYS

/DELGRP	Specifies the name of a group from which the system will be removed. You can specify more than one <i>group_name</i> .
/DELGRPTAG	Specifies the hexadecimal tag of a group from which the system will be removed. You can specify more than one <i>group_tag</i> .
/GRP	Specifies the group name of the systems to be modified.
/GRPTAG	Specifies the hexadecimal group number of the systems to be modified.
/N	Specifies the network path to the target system.
/NEWNAME	Specifies a new name for the system.
/OFFLN	Specifies a new offline notification alert severity. Valid values are 0-7 and DISABLED (the default).
/ONLN	Specifies a new online notification alert severity. Valid values are 0-7 and DISABLED (the default).
/PING	Specifies a new ping interval for the specified system in seconds. The default is 600 seconds.
/PROTO	Specifies a new communications protocol that is to be used to communicate with the system. Values include NETBIOS, IPX, TCPIP, SERIPC, and SNA.
/S	Specifies the system name for the target system.
/SYS	Specifies the system name of the system to be modified.
/SYSTAG	Specifies the hexadecimal group tag of the system to be modified.

Command Responses

The output for NFRSYSCL /EDITSYS appears as follows:

```
SYSTAG=0xgrouphex
```

NFRSYSCL /EDITSYS

where *grouphex* is the hexadecimal tag assigned to the modified system.

NFRSYSCL /EDITSYS returns the following tool-specific return codes:

Return Code Description

200	Group name not defined
201	System name not defined
202	Group tag not defined
203	System tag not defined
204	Invalid operating system type
205	Invalid protocol type
206	Invalid ping interval
207	Invalid notification severity
208	Invalid auto discovery interval

NFRSYSCL /DELGROUP

Syntax

```

▶▶ NFRSYSCL — /DELGROUP — [ /ALL — ] [ /GRP:"groupname" — ] [ /GRPTAG:grouphex — ] [ /N:netpath — ]
└─ [ /S:"sysname" — ]

```

Purpose of Command

This command deletes a Netfinity group with the specified attributes.

Parameter Descriptions

/ALL	Selects all groups.
/GRP	Specifies the group name of the group to delete.
/GRPTAG	Specifies the hexadecimal group tag of the group to delete.
/N	Specifies the network path to the target system.
/S	Specifies the system name for the target system.

Command Responses

The output for each group specified by NFRSYSCL /DELGROUP appears as follows:

```
GRPTAG=0xgrouphex
```

where *grouphex* is the hexadecimal tag assigned to the deleted group.

NFRSYSCL /DELGROUP returns the following tool-specific return codes:

Return Code Description

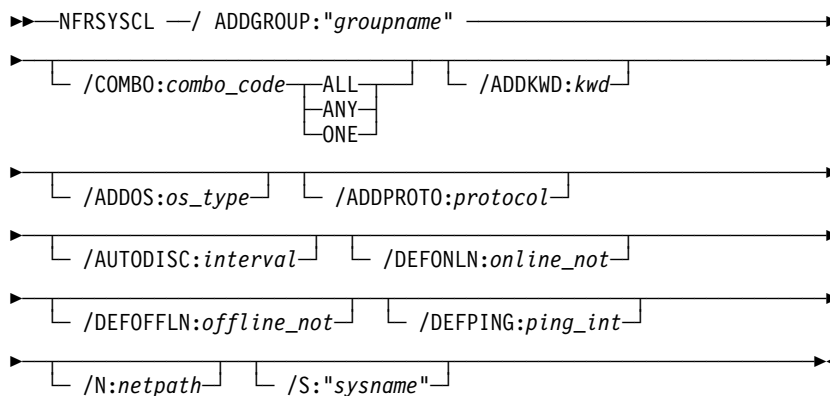
200 Group name not defined

NFRSYSCL /DELGROUP

- 201** System name not defined
- 202** Group tag not defined
- 203** System tag not defined
- 204** Invalid operating system type
- 205** Invalid protocol type
- 206** Invalid ping interval
- 207** Invalid notification severity
- 208** Invalid auto discovery interval

NFRSYSCL /ADDGROUP

Syntax



Purpose of Command

This command creates a new Netfinity group with the specified attributes.

Parameter Descriptions

- /ADDGROUP** Specifies the name for the new group.
- /ADDKWD** Adds the specified *keyword* to the new group.
- /ADDOS** Specifies an operating system that is added to the group's discovery exclusion list.
- /ADDPROTO** Specifies a communications protocol that is added to the group's discovery exclusion list.
- /AUTODISC** Specifies the number of minutes allowed between auto discovery (the default value is NONE).
- /COMBO** Specifies the group's keyword combination code (ALL, ANY, ONE).
- /DEFOFFLN** Specifies the default offline notify alert severity. Available values are 0–7, DISABLED, and NONE. The default value is NONE.

NFRSYSCL /ADDGROUP

/DEFONLN	Specifies the default online notify alert severity. Available values are 0-7, DISABLED, and NONE. The default value is NONE.
/DEFPING	Specifies the number of seconds allowed between system pings. Available values are 15 or higher and NONE. The default is NONE.
/N	Specifies the network path to the target system.
/S	Specifies the system name for the target system.

Command Responses

The output for each group created by NFRSYSCL /ADDGROUP appears as follows:

```
GRPTAG=0xgrouphex
```

where *grouphex* is the hexadecimal tag assigned to the group.

NFRSYSCL /ADDGROUP returns the following tool-specific return codes:

Return Code Description

200	Group name not defined
201	System name not defined
202	Group tag not defined
203	System tag not defined
204	Invalid operating system type
205	Invalid protocol type
206	Invalid ping interval
207	Invalid notification severity
208	Invalid auto discovery interval

NFRSYSCL /EDITGRP

Syntax

```

▶▶ NFRSYSCL — /EDITGRP [ /ALL ] [ /GRP:"groupname" ] [ /GRPTAG:grouphex ]
    [ /COMBO:combo_code [ ALL ] [ ANY ] [ ONE ] ] [ /NEWNAME:newname ]
    [ /ADDKWD:kwd ] [ /DELKWD:kwd ] [ /AUTODISC:interval ]
    [ /DEFONLN:online_not ] [ /DEFOFFLN:offline_not ]
    [ /DEFPING:pint_int ] [ /ADDOS:os_type ]
    [ /DELOS:os_type ] [ /ADDPROTO:protocol ]
    [ /DELPROTO:protocol ] [ /N:netpath ] [ /S:"sysname" ]

```

Purpose of Command

This command modifies a Netfinity group with the specified attributes.

Parameter Descriptions

- /ADDKWD** Adds the specified *keyword* to the group.
- /ADDOS** Specifies an operating system that is added to the group's discovery exclusion list.
- /ADDPROTO** Specifies a communications protocol that is added to the group's discovery exclusion list.
- /AUTODISC** Specifies the number of minutes allowed between auto discovery (the default value is NONE).
- /COMBO** Specifies a new keyword combination code (ALL, ANY, ONE).

NFRSYSCL /EDITGRP

- /DEFOFFLN** Specifies the default offline notify alert severity. Available values are 0-7, DISABLED, and NONE. The default value is NONE.
- /DEFONLN** Specifies the default online notify alert severity. Available values are 0-7, DISABLED, and NONE. The default value is NONE.
- /DEFPING** Specifies the number of seconds allowed between system pings. Available values are 15 or higher and NONE. The default value is NONE.
- /DELKWD** Deletes the specified *keyword* from the group.
- /DELOS** Specifies an operating system that is removed from the group's discovery exclusion list.
- /DELPROTO** Specifies a communications protocol that is removed from the group's discovery exclusion list.
- /EDITGRP** Modifies the selected Netfinity group. /ALL modifies all groups, /GRP specifies the name of a group to modify, /GRPTAG specifies the hexadecimal number of a group to modify.
- /N** Specifies the network path to the target system.
- /NEWNAME** Specifies a new name for the group.
- /S** Specifies the system name for the target system.

Command Responses

The output for each group specified by NFRSYSCL /EDITGRP appears as follows:

```
GRPTAG=0xgrouphex
```

where *grouphex* is the hexadecimal tag assigned to the group.

NFRSYSCL /EDITGRP returns the following tool-specific return codes:

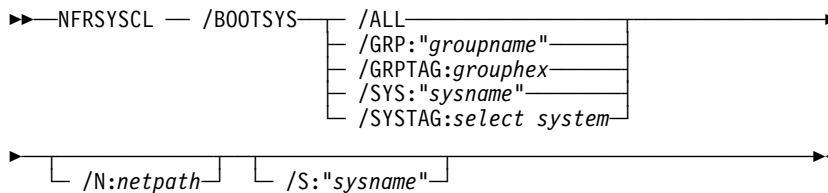
NFRSYSCL /EDITGRP

Return Code Description

200	Group name not defined
201	System name not defined
202	Group tag not defined
203	System tag not defined
204	Invalid operating system type
205	Invalid protocol type
206	Invalid ping interval
207	Invalid notification severity
208	Invalid auto discovery interval

NFRSYSCL /BOOTSYS

Syntax



Purpose of Command

This command restarts all specified Netfinity systems.

Parameter Descriptions

/ALL	Selects all systems.
/GRP	Specifies the group name of the systems to restart.
/GRPTAG	Specifies the hexadecimal group tag of the systems to restart.
/N	Specifies the network path to the target system (the system initiating the restart command).
/S	Specifies the system name for the target system (the system initiating the restart command).
/SYS	Specifies the systems name to restart.
/SYSTAG	Specifies the hexadecimal system tag of the system to restart.

Command Responses

The output for each group specified by NFRSYSCL /BOOTSYS appears as follows:

```
{ SYSTAG=0xgrouphex, RC=ret_code }
```

where:

- SYSTAG value is the hexadecimal tag of the system.

NFRSYSCL /BOOTSYS

- RC value is the standard error level for the action on the system.

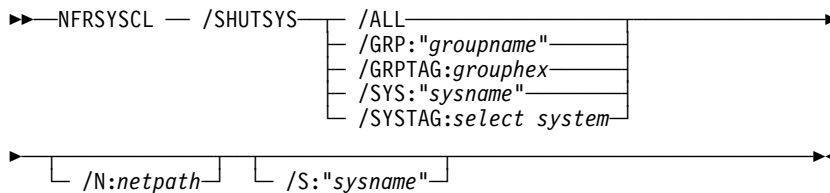
NFRSYSCL /BOOTSYS returns the following tool-specific return codes:

Return Code Description

200	Group name not defined
201	System name not defined
202	Group tag not defined
203	System tag not defined
204	Invalid operating system type
205	Invalid protocol type
206	Invalid ping interval
207	Invalid notification severity
208	Invalid auto discovery interval

NFRSYSCL /SHUTSYS

Syntax



Purpose of Command

This command shuts down all specified Netfinity systems.

Parameter Descriptions

/ALL	Selects all systems.
/GRP	Specifies the group name of the systems to shut down.
/GRPTAG	Specifies the hexadecimal group tag of the systems to shut down.
/N	Specifies the network path to the target system (the system initiating the shut down command).
/S	Specifies the system name for the target system (the system initiating the shut down command).
/SYS	Specifies the name of the system to shut down.
/SYSTAG	Specifies the hexadecimal system tag of the system to shut down.

Command Responses

The output for each group specified by NFRSYSCL /SHUTSYS appears as follows:

```
{ SYSTAG=0xgrouphex, RC=ret_code }
```

where

NFRSYSCL /SHUTSYS

- SYSTAG value is the hexadecimal tag of the system.
- RC value is the standard error level for the action on the system.

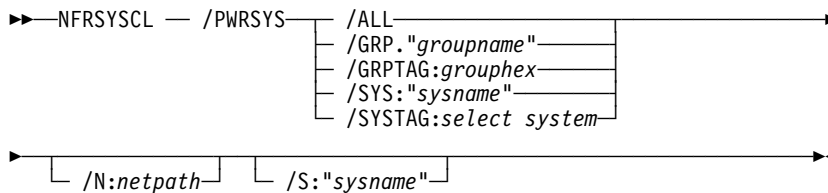
NFRSYSCL /SHUTSYS returns the following tool-specific return codes:

Return Code Description

200	Group name not defined
201	System name not defined
202	Group tag not defined
203	System tag not defined
204	Invalid operating system type
205	Invalid protocol type
206	Invalid ping interval
207	Invalid notification severity
208	Invalid auto discovery interval

NFRSYSCL /PWRSYS

Syntax



Purpose of Command

This command powers down all specified Netfinity systems.

Parameter Descriptions

/ALL	Selects all systems.
/GRP	Specifies the group name of the systems to power down.
/GRPTAG	Specifies the hexadecimal group tag of the systems to power down.
/N	Specifies the network path to the target system (the system initiating the power down command).
/S	Specifies the system name for the target system (the system initiating the power down command).
/SYS	Power down systems with the given system names.
/SYSTAG	Power down systems with the given hexadecimal system tags.

Command Responses

The output for each group specified by NFRSYSCL /PWRSYS appears as follows:

```
{ SYSTAG=0xgrouphex, RC=ret_code }
```

where

NFRSYSCL /PWRSYS

- SYSTAG value is the hexadecimal tag of the system
- RC value is the standard error level for the action on the system.

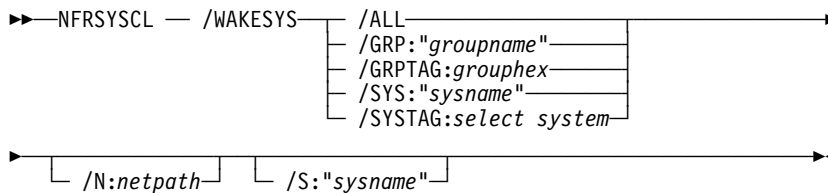
NFRSYSCL /PWRSYS returns the following tool-specific return codes:

Return Code Description

200	Group name not defined
201	System name not defined
202	Group tag not defined
203	System tag not defined
204	Invalid operating system type
205	Invalid protocol type
206	Invalid ping interval
207	Invalid notification severity
208	Invalid auto discovery interval

NFRSYSCL /WAKESYS

Syntax



Purpose of Command

This command enables all specified Netfinity Wake on LAN systems to be powered on remotely by sending the specified systems a specially formatted network packet.

Parameter Descriptions

/ALL	Selects all systems.
/GRP	Specifies the group name for the systems to wake.
/GRPTAG	Specifies the hexadecimal group tag for the systems to wake.
/N	Specifies the network path to the target system (the system initiating the Wake on LAN command).
/S	Specifies the system name for the target system (the system initiating the Wake on LAN command).
/SYS	Specifies the name of the system to wake.
/SYSTAG	Specifies the hexadecimal system tag for the system to wake.

Command Responses

The output for each group specified by NFRSYSCL /WAKESYS appears as follows:

```
{ SYSTAG=0xgrouphex, RC=ret_code }
```

NFRSYSCL /WAKESYS

where

- SYSTAG value is the hexadecimal tag of the system.
- value is the standard error level for the action on the system.

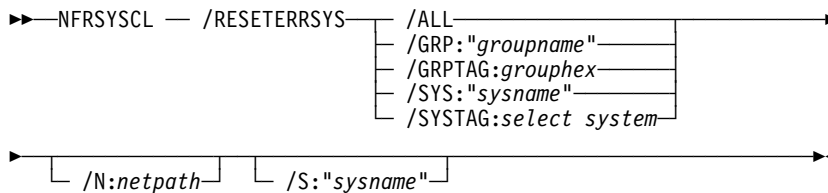
NFRSYSCL /WAKESYS returns the following tool-specific return codes:

Return Code Description

200	Group name not defined
201	System name not defined
202	Group tag not defined
203	System tag not defined
204	Invalid operating system type
205	Invalid protocol type
206	Invalid ping interval
207	Invalid notification severity
208	Invalid auto discovery interval

NFRSYSCL /RESETERRSYS

Syntax



Purpose of Command

This command resets error conditions on all specified Netfinity systems.

Parameter Descriptions

/ALL	Selects all systems.
/GRP	Specifies the group name of the systems to reset.
/GRPTAG	Specifies the hexadecimal group tag of the systems to reset.
/N	Specifies the network path to the target system (the system initiating the reset command).
/S	Specifies the system name for the target system (the system initiating the reset command).
/SYS	Specifies the system name to select.
/SYSTAG	Specifies the hexadecimal system tag to select.

Command Responses

The output for each group specified by NFRSYSCL /RESETERRSYS appears as follows:

```
SYSTAG=0xgrouphex
```

where SYSTAG value is the hexadecimal tag of the system.

NFRSYSCL /RESETERRSYS

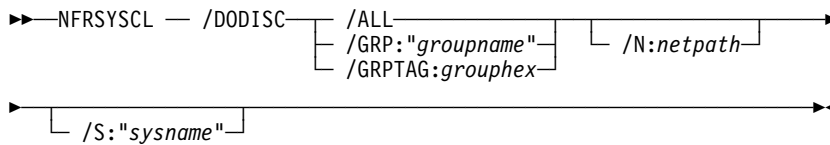
NFRSYSCL /RESETERRSYS returns the following tool-specific return codes:

Return Code Description

200	Group name not defined
201	System name not defined
202	Group tag not defined
203	System tag not defined
204	Invalid operating system type
205	Invalid protocol type
206	Invalid ping interval
207	Invalid notification severity
208	Invalid auto discovery interval

NFRSYSCL /DODISC

Syntax



Purpose of Command

This command initiates discovery in all specified system groups.

Parameter Descriptions

- /ALL** Selects all groups.
- /GRP** Specifies the group name on which to perform discovery.
- /GRPTAG** Specifies the hexadecimal group tag of the group on which to perform discovery.
- /N** Specifies the network path to the target system.
- /S** Specifies the system name for the target system.

Command Responses

The output for each group specified by NFRSYSCL /DODISC appears as follows:

```
GRPTAG=0xgrouphex
```

where GRPTAG value is a hexadecimal identifier for the group.

NFRSYSCL /DODISC returns the following tool-specific return codes:

Return Code Description

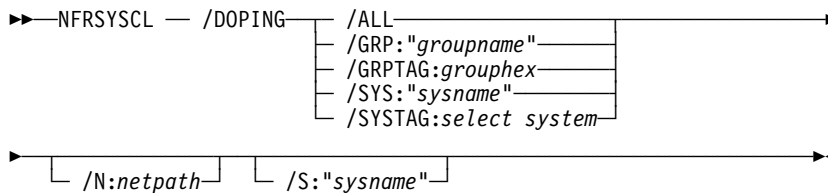
- 200** Group name not defined
- 201** System name not defined

NFRSYSCL /DODISC

- 202** Group tag not defined
- 203** System tag not defined
- 204** Invalid operating system type
- 205** Invalid protocol type
- 206** Invalid ping interval
- 207** Invalid notification severity
- 208** Invalid auto discovery interval

NFRSYSCL /DOPING

Syntax



Purpose of Command

This command initiates a presence check on all specified Netfinity systems.

Parameter Descriptions

/ALL	Selects all systems.
/GRP	Specifies the group name of the systems on which to perform a presence check.
/GRPTAG	Specifies the hexadecimal group tag of the systems on which to perform a presence check.
/N	Specifies the network path to the target system.
/S	Specifies the system name for the target system.
/SYS	Specifies the system name on which to perform a presence check.
/SYSTAG	Specifies the hexadecimal system tag of the system on which to perform a presence check.

Command Responses

The output for each system specified by NFRSYSCL /DOPING appears as follows:

```
SYSTAG=0xgrouphex
```

where SYSTAG value is the hexadecimal tag of the system.

NFRSYSCL /DOPING

NFRSYSCL /DOPING returns the following tool-specific return codes:

Return Code Description

200	Group name not defined
201	System name not defined
202	Group tag not defined
203	System tag not defined
204	Invalid operating system type
205	Invalid protocol type
206	Invalid ping interval
207	Invalid notification severity
208	Invalid auto discovery interval

Security Manager CLI (NFSECCL)

Information on the Netfinity Security Manager command-line tool NFSECCL follows.

NFSECCL /?

NFSECCL /?

Syntax

▶—NFSECCL —/?—————▶

Purpose of Command

This command displays command line help for NFSECCL.

NFSECCL /LISTIN /USERID

Syntax

```

NFSECCL —/LISTIN—/USERID:"userid" — /N:netpath —
/S:"sysname"

```

Purpose of Command

This command lists the attributes for a given user ID.

Parameter Descriptions

- /LISTIN** Specifies the user ID. Must be all uppercase.
- /N** Specifies the network path to the target system.
- /S** Specifies the system name for the target system.

Command Responses

The output for NFSECCL /LISTIN appears as follows:

```
{ USERID="userid", PWD="passwd", SECMGR, SVC=
{"svcname",...} }.
```

where:

- USERID value is the user ID string.
- PWD value is the password string.
- SECMGR keyword is present if the security manager access is defined for a given user ID.
- SVC value is a bracketed list of strings for service IDs (base service node names or ALL for all services).

NFSECCL /LISTIN returns the following tool-specific return codes:

Return Code	Description
200	Inbound user ID not identified
201	Outbound node not defined

NFSECCL /LISTIN /USERID

202	Invalid password
203	Invalid user ID
204	Invalid service

NFSECCL /DELIN /ALL

Syntax

```

▶▶ NFSECCL —/DELIN—/ALL — /N:netpath — /S:"sysname" —▶▶

```

Purpose of Command

This command deletes all inbound user IDs.

Parameter Descriptions

- /ALL** Selects all inbound user IDs.
- /DELIN** Deletes all inbound user IDs.
- /N** Specifies the network path to the target system.
- /S** Specifies the system name for the target system.

Command Responses

NFSECCL /DELIN returns the following tool-specific return codes:

Return Code	Description
200	Inbound user ID not identified
201	Outbound node not defined
202	Invalid password
203	Invalid user ID
204	Invalid service

NFSECCL /DELIN /USERID

NFSECCL /DELIN /USERID

Syntax

```
▶▶NFSECCL —/DELIN—/USERID:"userid" —————▶  
└─ /N:netpath ─┘  
└─ /S:"sysname" ─┘
```

Purpose of Command

This command deletes a specific inbound user ID.

Parameter Descriptions

- /DELIN** Deletes a specific inbound user ID. The user ID must be all uppercase.
- /N** Specifies the network path to the target system.
- /S** Specifies the system name for the target system.

Command Responses

NFSECCL /DELIN returns the following tool-specific return codes:

Return Code	Description
200	Inbound user ID not identified
201	Outbound node not defined
202	Invalid password
203	Invalid user ID
204	Invalid service

NFSECCL /ADDIN

Syntax

```

▶▶NFSECCL —/ADDIN:"USERID"—/PWD:"PASSWORD"—/ADDSECMGR————▶
▶—/ADDSVC:"svc"—/IGNORESVC—┌ /N:netpath ─┐ ┌ /S:"sysname" ─┐▶

```

Purpose of Command

This command adds a new inbound user ID.

Parameter Descriptions

/ADDIN	Specifies the user ID; must be all uppercase.
/ADDSECMGR	Specifies the security manager to be added for access (optional); the default is no SECMGR set.
/ADDSVC	Specifies the access to a service (optional, multiple OK); either service ID or ALL for all services.
/IGNORESVC	Ignores unknown services in the ADDSVC parameter (the optional default is error if unknown).
/N	Specifies the network path to the target system.
/PWD	Specifies the password value; must be all uppercase.
/S	Specifies the system name for the target system.

Command Responses

NFSECCL /ADDIN returns the following tool-specific return codes:

Return Code	Description
200	Inbound user ID not identified
201	Outbound node not defined
202	Invalid password

NFSECCL /ADDIN

- 203** Invalid user ID
- 204** Invalid service

NFSECCL /EDITIN

201	Outbound node not defined
202	Invalid password
203	Invalid user ID
204	Invalid service

NFSECCL /LISTOUT /ALL

Syntax

```

▶▶NFSECCL —/LISTOUT—/ALL—┬──┬──▶
                             └─┬─┬─┘
                             /N:netpath /S:"sysname"
  
```

Purpose of Command

This command list attributes for all outbound host IDs.

Parameter Descriptions

- /ALL** Selects all host IDs.
- /LISTOUT** Lists selected host IDs.
- /N** Specifies the network path to the target system.
- /S** Specifies the system name for the target system.

Command Responses

NFSECCL /LISTOUT returns the following tool-specific return codes:

Return Code	Description
200	Inbound user ID not identified
201	Outbound node not defined
202	Invalid password
203	Invalid user ID
204	Invalid service

NFSECCL /LISTOUT

Syntax

```

NFSECCL —/LISTOUT—/HOST:"host" — /N:netpath —
/S:"sysname"
  
```

Purpose of Command

This command list attributes for a selected host ID.

Parameter Descriptions

- /HOST** Selects a specific host ID.
- /LISTOUT** Lists selected host IDs.
- /N** Specifies the network path to the target system.
- /S** Specifies the system name for the target system.

Command Responses

The output for each group specified by NFSECCL /LISTOUT appears as follows:

```
{HOST="host", USERID="userid", PWD="passwd" }
```

where:

- HOST value is the host ID string
- USERID value is the user ID string
- PWD value is the password string

NFSECCL /LISTOUT returns the following tool-specific return codes:

Return Code	Description
200	Inbound user ID not identified
201	Outbound node not defined

NFSECCL /LISTOUT

- 202** Invalid password
- 203** Invalid user ID
- 204** Invalid service

NFSECCL /DELOUT /ALL

NFSECCL /DELOUT /ALL

Syntax

```
▶▶ NFSECCL —/DELOUT—/ALL [ /N:netpath ] [ /S:"sysname" ] ▶▶
```

Purpose of Command

This command deletes all outbound host IDs.

Parameter Descriptions

- /ALL** Specifies that all outbound host IDs will be deleted.
- /N** Specifies the network path to the target system.
- /S** Specifies the system name for the target system.

Command Responses

NFSECCL /DELOUT /ALL returns the following tool-specific return codes:

Return Code	Description
200	Inbound user ID not identified
201	Outbound node not defined
202	Invalid password
203	Invalid user ID
204	Invalid service

NFSECCL /DELOUT

Syntax

```

▶▶ NFSECCL —/DELOUT—/HOST:"host" — /N:netpath —
◀◀ /S:"sysname"

```

Purpose of Command

This command deletes specific outbound host IDs.

Parameter Descriptions

- /HOST** Specifies which outbound host IDs will be deleted.
- /N** Specifies the network path to the target system.
- /S** Specifies the system name for the target system.

Command Responses

NFSECCL /DELOUT returns the following tool-specific return codes:

Return Code	Description
200	Inbound user ID not identified
201	Outbound node not defined
202	Invalid password
203	Invalid user ID
204	Invalid service

NFSECCL /ADDOUT

Syntax

```
▶▶NFSECCL —/ADDOUT:"host"—/SETUID:"userid"—/PWD:"password"▶▶  
▶└─┬ /N:netpath ─┬ /S:"sysname" ─▶▶
```

Purpose of Command

This command adds a new outbound host ID.

Parameter Descriptions

- /ADDOUT** Specifies the outbound host IDs will be added.
- /N** Specifies the network path to the target system.
- /PWD** Specifies the password for the host ID.
- /S** Specifies the system name for the target system.
- /SETUID** Specifies the user ID for the host ID.

Command Responses

NFSECCL /ADDOUT returns the following tool-specific return codes:

Return Code	Description
200	Inbound user ID not identified
201	Outbound node not defined
202	Invalid password
203	Invalid user ID
204	Invalid service

NFSECCL /EDITOUT /ALL

Syntax

```

▶▶NFSECCL —/EDITOUT—/ALL—/SETUID:"userid"—/PWD:"password"——▶
▶—————▶
┌ /N:netpath ─┐ ┌ /S:"sysname" ─┐

```

Purpose of Command

This command modifies all outbound host IDs.

Parameter Descriptions

- /N** Specifies the network path to the target system.
- /S** Specifies the system name for the target system.
- /SETUID** Specifies the user ID for the host ID.
- /PWD** Specifies the password for the host ID.

Command Responses

NFSECCL /EDITOUT/ALL returns the following tool-specific return codes:

Return Code	Description
200	Inbound user ID not identified
201	Outbound node not defined
202	Invalid password
203	Invalid user ID
204	Invalid service

NFSECCL /EDITOUT

Syntax

```

NFSECCL —/EDITOUT—/HOST:"host"—/SETUID:"userid"—————▶
—/PWD:"password"—— [ /N:netpath ] [ /S:"sysname" ]————▶
  
```

Purpose of Command

This command modifies a specified outbound host ID.

Parameter Descriptions

/HOST	Identifies the specific outbound host-ID to be modified.
/N	Specifies the network path to the target system.
/PWD	Specifies the password for the host ID.
/S	Specifies the system name for the target system.
/SETUID	Specifies the user ID for the host ID.

Command Responses

NFSECCL /EDITOUT returns the following tool-specific return codes:

Return Code	Description
200	Inbound user ID not identified
201	Outbound node not defined
202	Invalid password
203	Invalid user ID
204	Invalid service

Software Inventory CLI (NFSINVCL)

Information on the Netfinity Software Inventory command-line tool NFSINVCL follows.

NFSINVCL /?

NFSINVCL /?

Syntax

▶▶—NFSINVCL —/?—————▶▶

Purpose of Command

This command displays help for the NFSINVCL command.

NFSINVCL /SCAN

Syntax

```

▶▶ NFSINVCL — /SCAN:dict_name —————▶
                                   └─ /EXPORT:dbi_name ─┘
▶
└─ /DBNAME:"db_name" ─┘ └─ /DETAILRPT:report_file ─┘
▶
└─ /SUMBYNAME:summary_file ─┘ └─ /SUMBYVER:summary_file ─┘
▶
└─ /SUMBYREV:summary_file ─┘ └─ /UPDNVDM ─┘ └─ /UPDSAVED ─┘
▶
└─ /UPDAPPKWD ─┘ └─ /MGR:"mgr_name" ─┘ └─ /GRP:"group_name" ─┘
▶
└─ /N:netpath ─┘ └─ /S:"sysname" ─┘
▶▶

```

Purpose of Command

This command scans all drives on specified systems using the the Netfinity dictionary file *dict_name* and generates specified output.

Parameter Descriptions

- | | |
|------------------|--|
| /EXPORT | Specifies the name of the database interface module (DBI) used for exporting to the selected database (for example, DB2OS2CI or DB2WINFI). |
| DBNAME | Specifies the name of the target database. Format depends upon specific DBI driver being used. Optional, required if is EXPORT defined. |
| DETAILRPT | Specifies the name of the file to which the detailed inventory report will be appended. |
| SUMBYNAME | Specifies the name of the file to which the summary-by-name inventory report will be appended. |
| SUMBYVER | Specifies the name of the file to which the summary-by-version inventory report will be appended. |

NFSINVCL /SCAN

SUMBYREV	Specifies the name of the file to which the summary-by-revision inventory report will be appended.
UPDNVDM	Updates NVDM inventory.
UPDSAVED	Updates saved inventory list.
UPDAPPKWD	Updates application keywords.
MGR	Specifies the name of the requesting manager.
GRP	Specifies the name of the system's group.
/N	Specifies the network path to the target system.
/S	Specifies the system name for the target system. Optional, required if EXPORT is defined.

Command Responses

NFSINVCL /SCAN returns the following tool-specific return codes:

Return Code Description

200	Error in selected dictionary file
201	Error writing to report file
202	Error during database export
203	Error during NVDM update
204	Error during update of saved inventory
205	Error during update of application keywords
206	Unable to execute software inventory task (SINVGUI.EXE)

System Monitor CLI (NFSMONCL)

Information on the Netfinity System Monitor command-line tool NFSMONCL follows.

NFSMONCL /?

NFSMONCL /?

Syntax

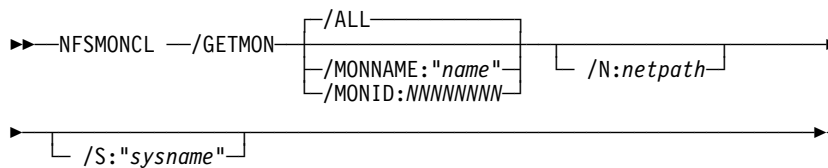
▶▶—NFSMONCL —/?—————▶▶

Purpose of Command

This command displays command-line help for NFSMONCL.

NFSMONCL /GETMON

Syntax



Purpose of Command

This command lists monitor and attribute group information.

Parameter Descriptions

- /ALL** Selects all monitors and attribute groups.
- /MONNAME** Selects monitor and attribute groups with a given name.
- /MONID** Selects monitor and attribute groups with a given monitor ID.
- /N** Specifies the network path to the target system.
- /S** Specifies the system name for the target system.

Command Responses

The output for each selected monitor by NFSMONCL/GETMON appears as follows:

```

{ MONITOR_ID=0xNNNNNNNN, NAME="name", SAMPLE=
time_tmemsec, VALUE=cur_val, UNITS_LBL="units
string", RECORDING=enab, MINVAL=min_val, MAXVAL=
max_val others }
  
```

where:

- MONITOR ID value is the hex number for the monitor ID.
- NAME value is the string attribute name.
- SAMPLE value is the attribute sample rate, in milliseconds.
- VALUE is the current decimal value for the attribute.

NFSMONCL /GETMON

- UNITS_LBL value is the string label for the data type.
- RECORDING value indicates data recording state (either ENABLED or DISABLED)
- MINVAL value is the decimal value of minimum value for the range.
- MAXVAL value is the decimal value of maximum value for the range.

The output for each selected attribute by NFSMONCL/GETMON appears as follows:

```
{ ATTRIB_ID=0xNNNNNNNN, NAME="name", SAMPLE=  
msec, RECORDING=enab, { attrib_info, attrib_infor. ...}  
, others}
```

where:

- ATTRIB_ID value is the hex number for attribute ID.
- NAME value is the string attribute group name.
- SAMPLE value is the attribute group sample rate, in milliseconds.
- RECORDING value indicates data recording state (either ENABLED or DISABLED)

Attrib_info is a bracketed data block and is formatted as follows:

```
{ ATTRIB_SUBID=0xNNNNNNNN, NAME="name", VAL_ENUM=  
{ "val desc"... }, VALUE=val }
```

where:

- ATTRIB_SUBID value is the hex ID for the attribute group.
- NAME value is the string attribute name.
- VAL_ENUM is the value for the bracketed list of strings for enumeration values (0-based index).
- VALUE is either the index in VAL_ENUM list of current value or a string for the current value (if no VAL_ENUM list).

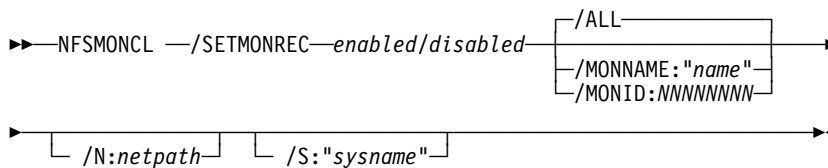
NFSMONCL /GETMON returns the following tool-specific return codes:

NFSMONCL /GETMON

Return Code	Description
200	Unknown monitor or attribute group ID
201	Unknown monitor or attribute group name
202	Unknown monitor or attribute group threshold name

NFSMONCL /SETMONREC

Syntax



Purpose of Command

This command sets the recording on selected monitors.

Parameter Descriptions

- /ALL** Selects all monitors and attribute groups.
- /MONNAME** Selects monitor and attribute groups with a given name.
- /MONID** Selects monitor and attribute groups with a given monitor ID.
- /N** Specifies the network path to the target system.
- /S** Specifies the system name for the target system.
- /SETMONREC** Sets the recording for selected monitors (either ENABLED or DISABLED).

Command Responses

The output for each modified monitor for NFSMONCL/SETMONREC appears as follows:

```
MONITOR_ID=0xNNNNNNNN
```

where NNNNNNNN is the hexadecimal monitor ID.

The output for each modified attribute group for NFSMONCL/SETMONREC appears as follows:

```
ATTRIB_ID=0xNNNNNNNN
```


NFSMONCL /SETMONREC

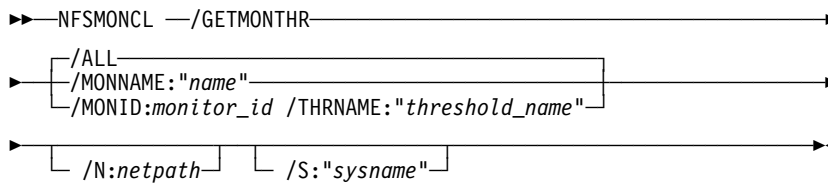
where *NNNNNNNN* is the hexadecimal attribute ID.

NFSMONCL /SETMONCL returns the following tool-specific return codes:

Return Code	Description
200	Unknown monitor or attribute group ID
201	Unknown monitor or attribute group name
202	Unknown monitor or attribute group threshold name

NFSMONCL /GETMONTHR

Syntax



Purpose of Command

This command lists the information for selected monitor thresholds.

Parameter Descriptions

/ALL Selects all monitor thresholds.

/GETMONTHR Selects the specified monitor thresholds.

/MONNAME Specifies a monitor name.

/MONID Specifies a monitor ID.
Note: MONID is required when /THRNAME is specified.

/N Specifies the network path to the target system.

/S Specifies the system name for the target system.

/THRNAME Limits the selection to thresholds with the given name.
Note: MONID is required when /THRNAME is specified.

Command Responses

The output for each group selected threshold by NFSMONCL /GETMONTHR appears as follows:

NFSMONCL /GETMONTHR

```
{ MONITOR_ID=0xNNNNNNNN, THRESNAME="name",  
DUR=seconds, RPT=seconds, HIERRVAL=hierrval,  
HIERRSEV=hierrsev, HIERRNTFY=enabled/disabled, HIWRNVAL=hiwrnval,  
HIWRNSEV=hiwrnsev, HIEWRNTFY=enabled/disabled, LOWRNVAL=lowrnval,  
LOWRSEV=lowrnsev, LOWRNNTFY=enabled/disabled, LOERRVAL=loerrval,  
LOERRSEV=loerrsev, LOERRNTFY=enabled/disabled, RTNSEV=rtNSEV,  
RTNNTFY=enabled/disabled, LOCALNTFY=enabled/disabled, others }
```

where:

- MONITOR_ID value is the hex monitor.
- THRESNAME value is the string for the threshold name.
- DUR value is the number of seconds for the duration of threshold values.
- RPT value is the number of seconds for the resend duration of the threshold values.
- HIERRVAL value is the decimal value of the high-error threshold (if defined), or NONE.
- HIERRSEV value is the severity of the threshold alert (0–7) for the high-error threshold.
- HIERRNTFY value is the notify state of the threshold with respect to the managing system; values are either ENABLED or DISABLED
- HIWRNVAL value is the decimal value of the high-warning threshold (if defined), or NONE.
- HIWRNSEV value is the severity of the threshold alert (0–7) for high-warning threshold.
- HIEWRNTFY value is the notify state of the threshold with respect to the managing system, values are either ENABLED or DISABLED.
- LOWRRVAL value is the decimal value of the low-warning threshold (if defined), or NONE.
- LOWRRSEV value is the severity of the threshold alert (0–7) for low-warning threshold.
- LOWRRNTFY value is the notify state of the threshold with respect to the managing system; values are either ENABLED or DISABLED.
- LOERRVAL value is the decimal value of the low-error threshold (if defined), or NONE.
- LOERRSEV value is the severity of the threshold alert (0–7) for low-error threshold.

NFSMONCL /GETMONTHR

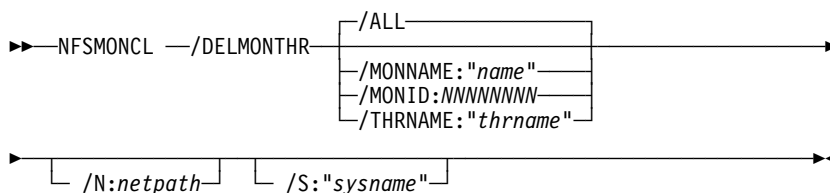
- LOERRNTFY value is the notify state of the threshold with respect to the managing system; values are either ENABLED or DISABLED.
- RTNSEV value is the severity of the return-to-normal alert (0-7).
- RTNNTFY value is the notify state of the return-to-normal with respect to the managing system; values are either ENABLED or DISABLED.
- LOCALNTFY value is the notify state with respect to the local system; values are either ENABLED or DISABLED.

NFSMONCL /GETMONTHR returns the following tool-specific return codes:

Return Code	Description
200	Unknown monitor or attribute group ID
201	Unknown monitor or attribute group name
202	Unknown monitor or attribute group threshold name

NFSMONCL /DELMONTHR

Syntax



Purpose of Command

This command deletes selected monitor thresholds.

Parameter Descriptions

- /ALL** Selects all monitor thresholds.
- /DELMONTHR** Deletes the selected monitor thresholds.
- /MONNAME** Specifies a monitor name.
- /MONID** Specifies a monitor ID.
- /N** Specifies the network path to the target system.
- /S** Specifies the system name for the target system.
- /THRNAME** Limits the selection to thresholds with given name.

Command Responses

The output for each selected threshold for NFSMONCL

/DELMONTHR appears as follows:

```
{ MONITOR_ID=0xNNNNNNNN, THRESNAME="name" }
```

where:

- MONITOR_ID value is the monitor ID.
- THRESNAME value is the string of the threshold name.

NFSMONCL /DELMONTHR

NFSMONCL /DELMONTHR returns the following tool-specific return codes:

Return Code	Description
200	Unknown monitor or attribute group ID
201	Unknown monitor or attribute group name
202	Unknown monitor or attribute group threshold name

NFSMONCL /ADDMONTHR

Syntax

```

▶▶ NFSMONCL —/ADDMONTHR:"name"—/MONID:NNNNNNN—/DUR:secs————▶
▶ —/RPT:secs—/HIERRVAL:val—/HIERRSEV:sev————▶
▶ —/HIERRNTFY:enabled/disabled—/HIWRNVAL:val—/HIWRNSEV:sev————▶
▶ —/HIWRNNTFY:enabled/disabled—/LOWRVAL:val—/LOWRNSEV:sev————▶
▶ —/LOWRNTFY:enabled/disabled—/LOERRVAL:val—/LOERRSEV:sev————▶
▶ —/LOERRNTFY:enabled/disabled—/RTNSEV:sev—/RTNNFTY:enab————▶
▶ —/LOCALNTFY:enabled/disabled— [ /N:netpath ]————▶
▶ [ /S:"sysname" ]————▶▶
    
```

Purpose of Command

This command adds a new monitor threshold.

Parameter Descriptions

/ADDMONTHR

Specifies the string threshold name to add (required).

/DUR

Specifies the number of seconds for the duration of the threshold values (default is 0).

/HIERRNTFY

Specifies the notify state of the threshold with respect to the managing system (ENABLED or DISABLED; the default is DISABLED).

/HIERRSEV

Specifies the severity of the threshold alert (0–7) for the high-error threshold (the default is 2).

/HIERRVAL

Specifies the decimal value of the high-error threshold (if defined), or NONE (default).

/HIWRNNTFY

Specifies the notify state of the threshold with respect to the managing system (ENABLED or DISABLED; the default is DISABLED)

NFSMONCL /ADDMONTHR

- /HIWRNSEV** Specifies the severity of the threshold alert (0–7) for the high-warning threshold (the default is 4).
- /HIWRNVAL** Specifies the decimal value of the high-warning threshold (if defined), or NONE (default).
- /LOCALNTFY** Specifies the notify state of the local notifies (ENABLED or DISABLED; default is DISABLED).
- /LOERRNTFY** Specifies the notify state of the threshold with respect to the managing system (ENABLED or DISABLED; default is DISABLED).
- /LOERRSEV** Specifies the severity of the threshold alert (0–7) for the low-error threshold (the default is 2).
- /LOERRVAL** Specifies the decimal value of the low-error threshold (if defined), or NONE (default).
- /LOWRNNTFY** Specifies the the notify state of the threshold with respect to the managing system (ENABLED or DISABLED; default is DISABLED).
- /LOWRNSEV** Specifies the severity of the threshold alert (0–7) for the low-warning threshold (the default is 4).
- /LOWRNVAL** Specifies the decimal value of the low-warning threshold (if defined), or NONE (default).
- /MONID** Specifies the hexadecimal attribute ID (required).
- /N** Specifies the network path to the target system.
- /RPT** Specifies the number of seconds for the resend duration of threshold values (default is 0).
- /RTNNTFY** Specifies the notify state of return-to-normal with respect to the managing system (ENABLED or DISABLED; default is DISABLED).
- /RTNSEV** Specifies the severity of the return-to-normal alert (0–7), (the default is 6).
- /S** Specifies the system name for the target system.

NFSMONCL /ADDMONTHR

Command Responses

The output for a new threshold for NFSMONCL /ADDMONTHR appears as follows:

```
{ MONITOR_ID=0xNNNNNNNN, THRESNAME="name" }
```

where:

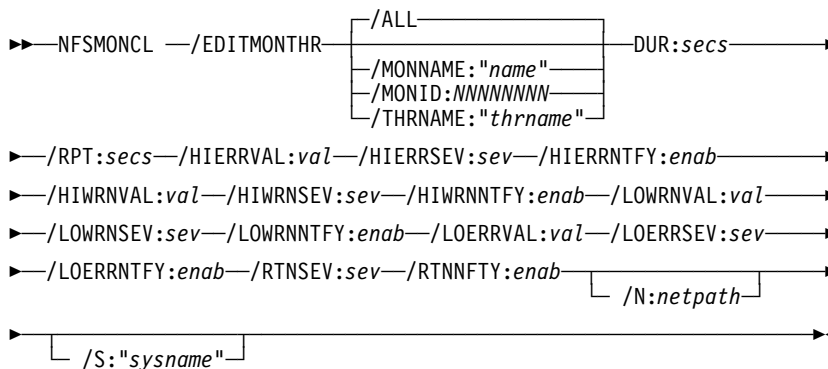
- MONITOR_ID value is the monitor ID.
- THRESNAME value is the string of the threshold name.

NFSMONCL /ADDMONTHR returns the following tool-specific return codes:

Return Code	Description
200	Unknown monitor or attribute group ID
201	Unknown monitor or attribute group name
202	Unknown monitor or attribute group threshold name

NFSMONCL EDITMONTHR

Syntax



Purpose of Command

This command edits the monitor thresholds.

Parameter Descriptions

- /ALL** Selects all monitor thresholds.
- /DUR** Specifies the number of seconds for the duration of threshold values (the default is 5).
- /EDITMONTHR** Edits the thresholds for the selected monitors.
- /HIERRNTFY** Specifies the notify state of the threshold with respect to the managing system (ENABLED or DISABLED; the default is DISABLED).
- /HIERRSEV** Specifies the severity of the threshold alert (0–7) for the high-error threshold (the default is 2).
- /HIERRVAL** Specifies the decimal value of the high-error threshold (if defined), or NONE (default).
- /HIWRNNTFY** Specifies the notify state of the threshold with respect to the managing system (ENABLED or DISABLED; the default is DISABLED).

NFSMONCL EDITMONTHR

- /HIWRNSEV** Specifies the severity of the threshold alert (0–7) for the high-warning threshold (the default is 4).
- /HIWRNVAL** Specifies the decimal value of the high-warning threshold (if defined), or NONE (default).
- /LOERRNTFY** Specifies the notify state of the threshold with respect to the managing system (ENABLED or DISABLED; the default is DISABLED).
- /LOERRSEV** Specifies the severity of the threshold alert (0–7) for the low-error threshold (the default is 2).
- /LOERRVAL** Specifies the decimal value of the low-error threshold (if defined), or NONE (default).
- /LOWRNNTFY**
Specifies the notify state of the threshold with respect to the managing system (ENABLED or DISABLED; the default is DISABLED).
- /LOWRNSEV** Specifies the severity of the threshold alert (0–7) for the low-warning threshold (the default is 4).
- /LOWRNVAL** Specifies the decimal value of the low-warning threshold (if defined), or NONE (default).
- /MONNAME** Specifies a monitor name.
- /MONID** Specifies a monitor ID.
- /N** Specifies the network path to the target system.
- /RPT** Specifies the number of seconds for the resend duration of the threshold values (default is 0).
- /RTNSEV** Specifies the severity of the return-to-normal alert (0–7, the default is 6).
- /RTNNTFY** Specifies the notify state of return-to-normal with respect to the managing system (ENABLED or DISABLED; the default is DISABLED).
- /THRNAME** Limits the selection to thresholds with given name.

NFSMONCL EDITMONTHR

/S Specifies the system name for the target system.

Command Responses

NFSMONCL /EDITMONTHR returns the following tool-specific return codes:

Return Code	Description
200	Unknown monitor or attribute group ID
201	Unknown monitor or attribute group name
202	Unknown monitor or attribute group threshold name

System Information Tool CLI (NFSYSICL)

Information on the Netfinity System Information Tool command-line tool NFSYSICL follows.

NFSYSICL /?

NFSYSICL /?

Syntax

▶▶—NFSYSICL —/?—————▶▶

Purpose of Command

This command displays help for the NFSYSICL command.

NFSYSICL /HIST

Syntax

```
▶▶ NFSYSICL — /HIST:filename —————▶▶
                        |
                        | /N:netpath
```

Purpose of Command

This command generates a history file to the specified file name.

Parameter Descriptions

- /HIST** Specifies the name of the history file.
- /N** Specifies the network path to the target system.

Command Responses

NFSYSICL /HIST returns the following tool-specific return codes:

Return Code Description

- | | |
|------------|--|
| 200 | Error writing to history file |
| 201 | Error writing to report file |
| 202 | Error during database export |
| 203 | Unable to execute task (SINFG30.EXE) which executes much of the NFSYSICL function. The requested NFSYSICL action was not executed. |

NFSYSICL /HISTOUT

Syntax

```
►► NFSYSICL — /HISTOUT — [ /N:netpath ] [ /S:"sysname" ] ►►
```

Purpose of Command

This command generates a history file to a generated file name and generates output.

Parameter Descriptions

- /HISTOUT** Specifies the name of the history file.
- /N** Specifies the network path to the target system.
- /S** Specifies the system name for the target system.

Command Responses

The output for the NFSYSICL /HISTOUT command appears as follows:

```
HSTFILE="filename"
```

where the HSTFILE value is the name of the file containing the output.

NFSYSICL /HISTOUT returns the following tool-specific return codes:

Return Code Description

- 200** Error writing to history file
- 201** Error writing to report file
- 202** Error during database export
- 203** Unable to execute task (SINFG30.EXE) which executes much of the NFSYSICL function. The requested NFSYSICL action was not executed.

NFSYSICL /RPT

Syntax

```
►► NFSYSICL — /RPT:filename [ /N:netpath ] [ /S:"sysname" ] ◄◄
```

Purpose of Command

This command generates a textual report to the specified file name.

Parameter Descriptions

- /RPT** Specifies the name of the text file.
- /N** Specifies the network path to the target system.
- /S** Specifies the system name for the target system.

Command Responses

NFSYSICL /RPT returns the following tool-specific return codes:

Return Code Description

- | | |
|------------|--|
| 200 | Error writing to history file |
| 201 | Error writing to report file |
| 202 | Error during database export |
| 203 | Unable to execute task (SINFG30.EXE) which executes much of the NFSYSICL function. The requested NFSYSICL action was not executed. |

NFSYSICL /RPTOUT

Syntax

►► NFSYSICL — /RPTOUT — [/N:*netpath*] [/S:"*sysname*"] —►►

Purpose of Command

This command generates a textual report to a file. It also generates output.

Command Responses

The output for the NFSYSICL /RPTOUT command appears as follows:

```
RPTFILE="filename"
```

where the RPTFILE value is the name of the file containing the report.

NFSYSICL /RPTOUT returns the following tool-specific return codes:

Return Code Description

- | | |
|------------|--|
| 200 | Error writing to history file |
| 201 | Error writing to report file |
| 202 | Error during database export |
| 203 | Unable to execute task (SINFG30.EXE) which executes much of the NFSYSICL function. The requested NFSYSICL action was not executed. |

NFSYSICL /EXPORT

Syntax

```

▶▶ NFSYSICL — /EXPORT:dbi_name — /DBNAME:"db_name." —————▶
▶ [ /NOPROF ] [ /NOSYSLEV ] [ /MRG:"mgr_name" ] —————▶
▶ [ /GRP:"grp_name" ] [ /N:netpath ] [ /S:"sysname" ] —————▶

```

Purpose of Command

This command exports data to the database specified by the DBNAME parameter using the database driver specified by this command.

Parameter Descriptions

/DBNAME	Specifies the name of the target database.
/GRP	Specifies the group name of the system. The default is none.
/MGR	Specifies the name of the requesting manager. The default string is the local system name.
/NOPROF	Specifies that the system profile data should be excluded from the export. The default is to include the system profile data.
/NOSYSLEV	Specifies that software information from OS/2 SYSLEVEL files should be excluded from the export. The default is to include the SYSLEVEL data.
/N	Specifies the network path to the target system.
/S	Specifies the system name for the target system.

Command Responses

NFSYSICL /EXPORT returns the following tool-specific return codes:

NFSYSICL /EXPORT

Return Code Description

200	Error writing to history file
201	Error writing to report file
202	Error during database export
203	Unable to execute task (SINFG30.EXE) which executes much of the NFSYSICL function. The requested NFSYSICL action was not executed.

Appendix A. Reading Syntax Diagrams

Syntax diagrams start with double arrowheads on the left (▶▶) and move along the main line until they end with two arrowheads facing each other (◀◀).

As shown in the following table, syntax diagrams use *position* to indicate the required, optional, and default values for keywords, variables, and parameters.

Element Position	Meaning
On the command line	Required
Above the command line	Default
Below the command line	Optional

Required Syntax

The command name, required keywords, variables, and parameters are always on the main syntax line. Figure 1 specifies that the *resname* variable must be used for the CCPLOADF command.

▶▶—CCPLOADF *resname*————▶◀

Figure 1. Required Syntax Elements

Keywords and parameters are written in uppercase letters. Lowercase letters indicate variables such as values or names that you supply. In Figure 2, **MEMBER** is a parameter and *membername* is a variable that defines the name of the data set member for that parameter.

▶▶—TRANSMMSG MEMBER=*membername*————▶◀

Figure 2. Syntax for Variables

Optional Keywords and Variables

Optional keywords, variables, and parameters are below the main syntax line. Figure 3 specifies that the ID parameter can be used for the DISPREG command, but is not required.

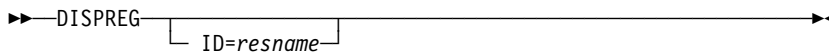


Figure 3. Optional Syntax Elements

Default Values

Default values are above the main syntax line. If the default is a keyword, it appears only above the main line. You can specify this keyword or allow it to default.

If a parameter has a default value, the parameter appears both above and below the main line. A value below the main line indicates that if you choose to specify the parameter, you can also specify the default value or another value shown. If you do not specify a parameter, the default value above the main line is used.

Figure 4 shows the default keyword STEP above the main line and the rest of the optional keywords below the main line. It also shows the default values for parameters MODNAME=* and OPTION=* above and below the main line.

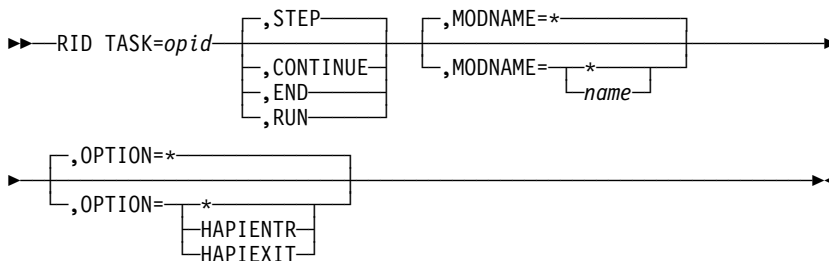


Figure 4. Sample of Defaults Syntax

Long Syntax Diagrams

When more than one line is needed for a syntax diagram, the continued lines end with a single arrowhead (►). The following lines begin with a single arrowhead (►), as shown in Figure 4 on page 180.

Syntax Fragments

Commands that contain lengthy groups or a section that is used more than once in a command are shown as separate fragments following the main diagram. The fragment name is shown in mixed case. See Figure 5 for a syntax with the fragments ReMote and FromTo.

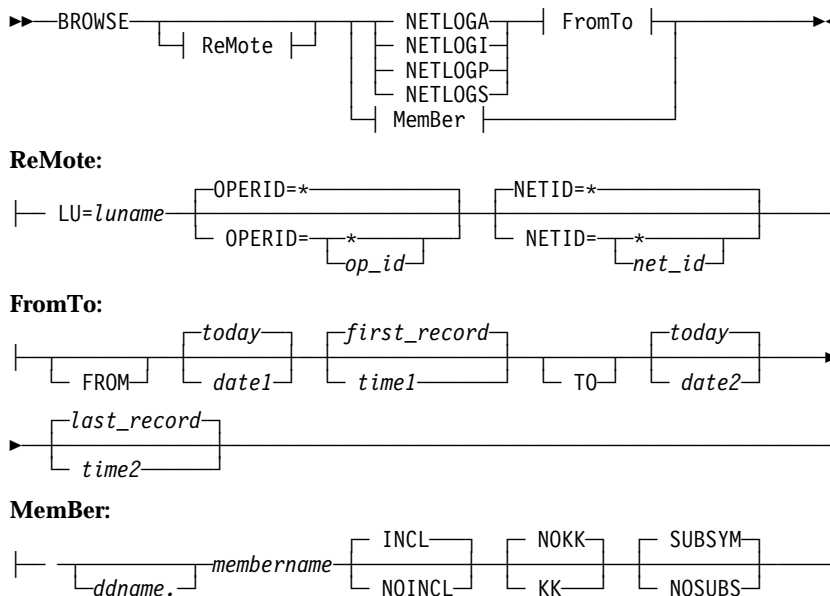


Figure 5. Sample Syntax Diagram with Fragments

Commas and Parentheses

Required commas and parentheses are included in the syntax diagram. When a parameter has more than one value, the values are typically enclosed in parentheses and separated by commas. In Figure 6, the **OP** parameter, for example, contains commas to indicate that you can specify multiple values for the *testop* variable.

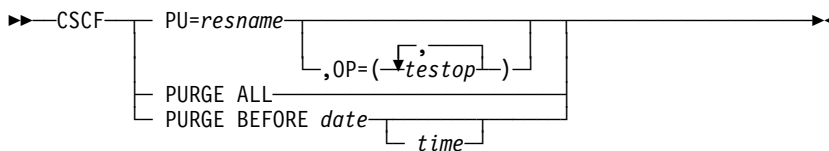


Figure 6. Sample Syntax Diagram with Commas

If a command requires positional commas to separate keywords and variables, the commas are shown before the keyword or variable, as in Figure 4 on page 180.

For example, to specify the BOSESS command with the *sessid* variable, enter:

```
NCCF BOSESS applid,,sessid
```

You do not need to specify the trailing positional commas. Positional and non-positional trailing commas either are ignored or cause the command to be rejected. Restrictions for each command state whether trailing commas cause the command to be rejected.

Highlighting, Brackets, and Braces

Syntax diagrams do not rely on highlighting, underscoring, brackets, or braces; variables are shown italicized.

In parameter descriptions, the appearance of syntax elements in a diagram immediately tells you the type of element. See Table 2 on page 183 for the appearance of syntax elements.

Syntax Diagrams

<i>Table 2. Syntax Elements Examples</i>	
This element...	Looks like this...
Keyword	CCPLOADF
Variable	<i>resname</i>
parameter	MEMBER= <i>membername</i>
Default	<u>today</u> or INCL

Abbreviations

Command and keyword abbreviations are described in synonym tables after each command description.

Appendix B. Notices

References in this publication to IBM products, programs, or services do not imply that IBM intends to make these available in all countries in which IBM operates. Any reference to an IBM product, program, or service is not intended to state or imply that only that IBM product, program, or service may be used. Subject to IBM's valid intellectual property or other legally protectable rights, any functionally equivalent product, program, or service may be used instead of the IBM product, program, or service. The evaluation and verification of operation in conjunction with other products, except those expressly designated by IBM, are the responsibility of the user.

IBM may have patents or pending patent applications covering subject matter in this document. The furnishing of this document does not give you any license to these patents. You can send license inquiries, in writing, to:

IBM Director of Licensing
IBM Corporation
500 Columbus Avenue
Thornwood, NY 10594
U.S.A.

Licensees of this program who wish to have information about it for the purpose of enabling: (i) the exchange of information between independently created programs and other programs (including this one) and (ii) the mutual use of the information which has been exchanged, should contact IBM Corporation, Department 80D, P.O. Box 12195, 3039 Cornwallis, Research Triangle Park, NC 27709, U.S.A. Such information may be available, subject to appropriate terms and conditions, including in some cases, payment of a fee.



Part Number: 10L9270

Printed in U.S.A.

10L9270

