

R50 series Setup Poster

P/N 27R0825

12/10/2004

Size : 11x14 inches

Color : 2 color job = Black (PMS Process Black C) and Red (PMS 032cvc)
(#Gray=45% Black, 20% Black)

Font : IBM Fonts and Helvetica Neue Family

Material : 100 gsm gloss art paper (Use 100% recycled paper in only Japan.)

Blue line shows die-cut. DO NOT PRINT.

Please change the barcode No.

ThinkPad

Setup Instructions

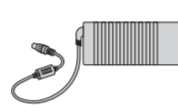
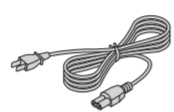
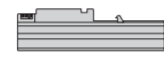
These instructions are only for first time setup. For more detailed information, press the Access IBM button.

1



Unpack:

- ThinkPad® computer
- Battery pack
- Power cord
- AC adapter



- Modem cord



- 2 TrackPoint® caps



- Books



* See reverse for notes about unlisted, missing, or damaged items and recovery CD.

Note: Read the safety notices in the Service and Troubleshooting Guide before you use the computer.

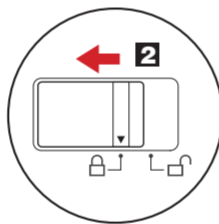
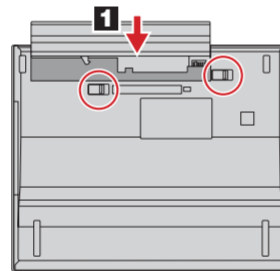
- Setup Instructions (this sheet)
- Service and Troubleshooting Guide
- Other supplements or flyers

2

Install battery pack:

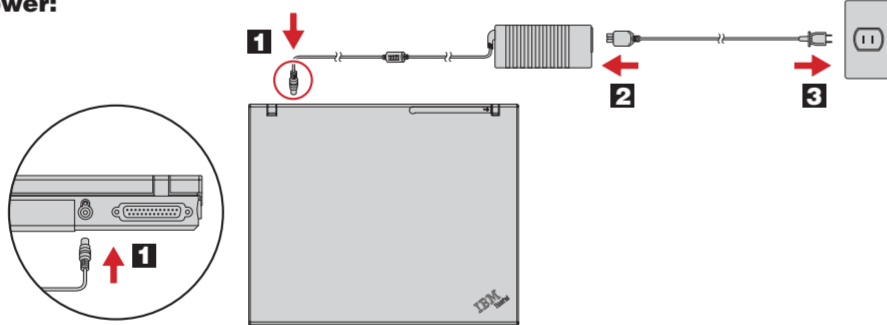
Your battery is ready to use.

Note: Some ThinkPad computers may only have one battery latch.



3

Connect to power:



4

Turn on the power:



5

Point and click with UltraNav™ Multi-pointing Navigation System:

Press the IBM TrackPoint cap or move across the touch pad in the direction you want to move the pointer. The left and right buttons below the space bar and touch pad function like mouse buttons. Some models may have only a TrackPoint.

6

Configure the Operating System following on-screen instructions:

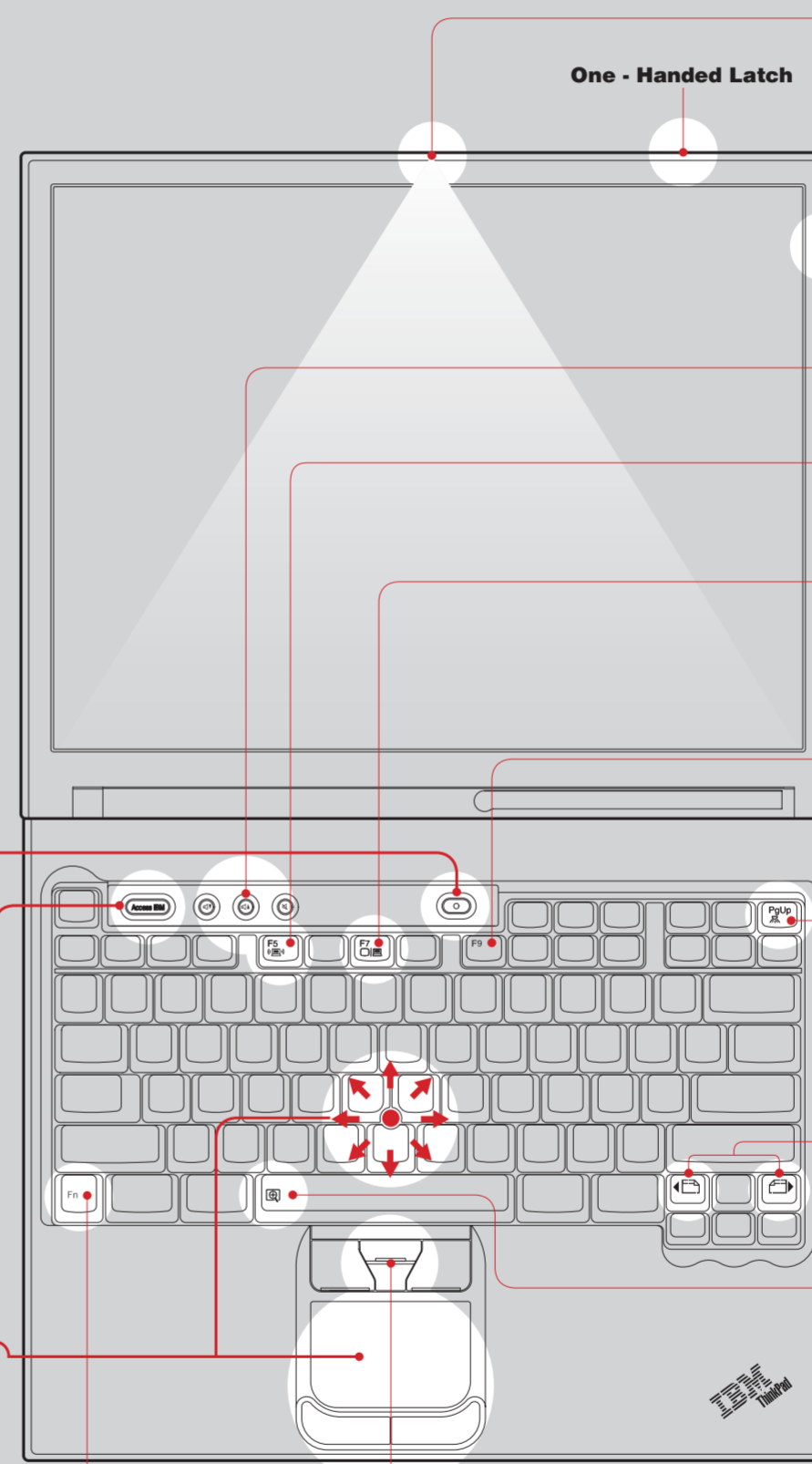
This process takes several minutes, and your computer may restart multiple times.

7

For more detailed information, press the Access IBM Button:



ThinkVantage™ Design



One-Handed Latch

ThinkLight® Keyboard Light

Illuminates your keyboard, so you can work in the dark



UltraConnect™ Wireless Antenna

Optimal placement provides superior range and performance

Volume and Mute Buttons



Wireless Radio Control



Presentation Director

Easily give presentations or use multiple monitors



EasyEject

Use to undock and remove attachable devices



Internet Navigation Keys

Web browser back and forward

Full Screen Magnifier

Zooms the entire screen



Fn Key

Use in combination with keys with blue icons to access special ThinkPad features

TrackPoint Center Button

Scroll documents or magnify an area of the screen

P/N: 27R0825

R50 series Setup Poster

P/N 27R0825

12/10/2004

Size : 11x14 inches

Color : 1 color job = Black (PMS Process Black C)
(#Gray=45% Black, 20% Black)

Font : IBM Fonts and Helvetica Neue Family

Material : 100 gsm gloss art paper (Use 100% recycled paper in only Japan.)

Blue line shows die-cut. DO NOT PRINT.

Please change the barcode No.



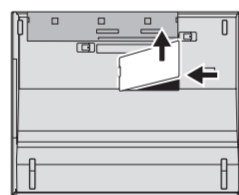
Installing Optional memory

You can increase the amount of memory in your computer.

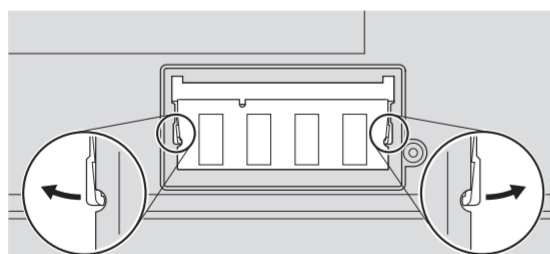
Note: Only use memory types supported by your computer. If you incorrectly install the optional memory or install an unsupported memory type, a warning beep will sound when you try to start the computer. To replace the standard memory that is accessed by removing your keyboard, refer to the procedure described within Access IBM.

1 Install the optional SO-DIMM:

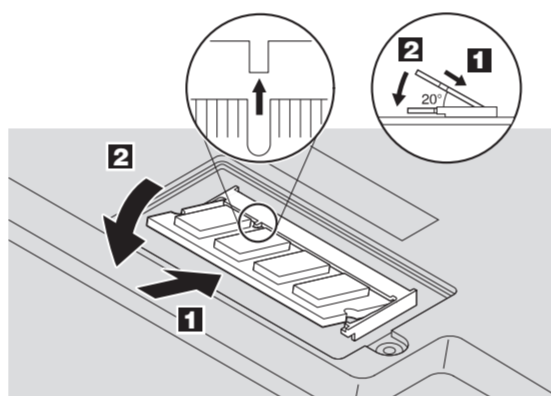
- 1 Touch a grounded metal object to reduce any static electricity in your body that could damage the SO-DIMM. Avoid touching the contact edge of the SO-DIMM.
- 2 Turn off the computer.
- 3 Disconnect the ac adapter and all cables from the computer.
- 4 Close the computer display and turn the computer over.
- 5 Remove the battery.
- 6 Loosen the screws on the memory slot cover, and then remove the cover.



- 7 If a SO-DIMM is already installed, remove it as shown. Save the SO-DIMM for future use.



- 8 Align the notch in the contact edge of the SO-DIMM with the divider in the socket. Firmly insert the SO-DIMM into the socket at an angle of 20 degrees **1**, and then pivot it downward until it snaps into place **2**.



- 9 Replace the memory slot cover.
Attention: Never use the computer with the memory slot cover open.
- 10 Replace the battery and re-connect the ac adapter and cables.

2 Verify proper installation of the optional SO-DIMM:

- 1 Turn on the computer.
- 2 Press the Access IBM button when prompted during startup.
- 3 Open the IBM BIOS Setup Utility by clicking "Access BIOS" under the "Configure" category or double-clicking "Start Setup Utility."
- 4 Verify that the "Installed memory" item shows the total amount of memory installed in your computer. For example, if your computer had 256 MB of standard memory and you install an additional 512 MB SO-DIMM, the quantity shown in "Installed memory" should be 768 MB.

ThinkVantage™ Technologies

You can get information about ThinkVantage Technologies at any time by pressing the blue Access IBM button on your keyboard.



Security

Some ThinkPad computers have an embedded security chip. To learn about downloading the software and enabling the chip, enter "security chip" in the Access IBM keyword search field.



Access Connections

Some ThinkPad computers are equipped with a wireless LAN adapter. To learn more about configuring wireless LAN and other communication adapters including your wired connections, enter "Access Connections" in the Access IBM keyword search field.



Migration

You can move data from your old computer to this ThinkPad. Enter "migration" in the Access IBM keyword search field to learn about downloading data migration software.

IBM Help and Support

To learn about IBM Help and Support, choose the Get Help & Support category in Access IBM.

* Additional unpacking notes:

- 1) Some models may contain items that are not listed.
- 2) If any item is missing or damaged, please contact your place of purchase.
- 3) Your computer features IBM Disk-to-Disk Recovery. Everything for recovering factory-installed files and applications is on your hard disk eliminating the need for a recovery CD. For more information, see "Recovering Pre-Installed Software" in the Service and Troubleshooting Guide.

Your name: _____

Company name: _____

Model number: _____

Serial number: _____

Company or reseller service: _____

IBM service Web site: _____

IBM service number: _____



© Copyright IBM Corporation 2004

The following terms are trademarks of the IBM Corporation in the United States or other countries or both: IBM, ThinkPad, TrackPoint, ThinkLight, ThinkVantage, UltraNav, and UltraConnect.

For Barcode Position Only