

ThinkVision

C400 Wireless Projector

User's Guide

ThinkVision

C400 Wireless Projector

User's Guide

Note: Before using this information and the product it supports, read the information in Appendix E, "Lenovo Statement of Limited Warranty LSOLW-00 05/2005," on page E-1.

First Edition (September 2005)

© Copyright Lenovo 2005.

Portions © Copyright International Business Machines Corporation 2004.

All rights reserved.

U.S. GOVERNMENT USERS – RESTRICTED RIGHTS: Our products and/or services are provided with RESTRICTED RIGHTS. Use, duplication or disclosure by the Government is subject to the GSA ADP Schedule contract with Lenovo Group Limited, if any, or the standard terms of this commercial license, or if the agency is unable to accept this Program under these terms, then we provide this Program under the provisions set forth in Commercial Computer Software–Restricted Rights at FAR 52.227-19, when applicable, or under Rights in Data-General, FAR 52.227.14 (Alternate III).

Contents

Safety information v

General safety guidelines. vii

Service	vii
Power cords and power adapters	vii
Extension cords and related devices	viii
Plugs and outlets	viii
Batteries	viii
Heat and product ventilation	ix
CD and DVD drive safety.	ix

Registering your option. xi

Chapter 1. Product description 1-1

Packing checklist	1-2
Projector features	1-3

Chapter 2. Setting up the projector 2-1

Starting the projector	2-1
Turning off the projector	2-2
Positioning the projector	2-3
Adjusting the projector level and height	2-5
Adjusting the image	2-5
Adjusting the volume.	2-6

Chapter 3. Using the wireless features 3-1

Installation	3-1
Using the projector software	3-1
Starting a wireless projecting session.	3-1
Wireless software configuration	3-4
Selecting adapter	3-5
Remote controller emulation	3-6
Buttons of the remote emulation controller.	3-7
USB image display.	3-7
Ending projection	3-8
Wireless projector system tray icon	3-8
Exit.	3-9
Uninstallation	3-9

Chapter 4. Connecting devices to the projector 4-1

Connecting devices	4-1
Remote mouse control using USB.	4-1
Connecting to a computer monitor	4-2

Chapter 5. Maintenance 5-1

Cleaning the projector	5-1
Cleaning the lens	5-1
Cleaning the case	5-1
Replacing the projector lamp	5-1
Resetting the lamp timer.	5-3
Using the security slot	5-3

Chapter 6. Using the projector features 6-1

Before you begin	6-1
Using the remote control.	6-2
Operating range	6-3
Projector and remote control buttons.	6-3
USB image display.	6-3
Operation description.	6-3
Open	6-3
Previous	6-4
Next	6-4
Auto Slide Show/Manual Slide Show	6-4
Optimal Size/Original Size	6-4
Full Screen Mode	6-4
Exit.	6-4

Chapter 7. ¹On-Screen Display menu controls 7-1

Navigating the OSD	7-1
Language	7-1
Quality menu	7-1
Properties menu	7-3
Options menu	7-4
Setup menu	7-5
Information settings menu	7-7
Projector wireless configuration	7-8

Appendix A. Troubleshooting A-1

Common problems and solutions	A-1
Tips for troubleshooting.	A-1
Troubleshooting information	A-1
Projector LEDs.	A-3

Appendix B. Frequently asked questions (FAQ's) B-1

Appendix C. Specifications C-1

Appendix D. Service and Support. D-1

Online technical support	D-1
Telephone technical support	D-1

Appendix E. Lenovo Statement of Limited Warranty LSOLW-00 05/2005 E-1

Part 1 - General Terms	E-1
Part 2 - Country-unique Terms	E-4
Part 3 - Warranty Information	E-15
Warranty Period	E-15
Types of Warranty Service.	E-15
Worldwide telephone list	E-17
Guarantee supplement for Mexico	E-20

1.

Appendix F. Notices. F-1
Trademarks F-2

Federal Communications Commission (FCC) Class
A Statement of Compliance G-1

**Appendix G. Electronic emissions
notices G-1**

Safety information

Before installing this product, read the Safety Information.

مج، يجب قراءة دات السلامة

Antes de instalar este produto, leia as Informações de Segurança.

在安装本产品之前，请仔细阅读 **Safety Information**
(安全信息)。

Prije instalacije ovog produkta obavezno pročitajte Sigurnosne Upute.

Před instalací tohoto produktu si přečtěte příručku bezpečnostních instrukcí.

Læs sikkerhedsforskrifterne, før du installerer dette produkt.

Ennen kuin asennat tämän tuotteen, lue turvaohjeet kohdasta Safety Information.

Avant d'installer ce produit, lisez les consignes de sécurité.

Vor der Installation dieses Produkts die Sicherheitshinweise lesen.

Πριν εγκαταστήσετε το προϊόν αυτό, διαβάστε τις πληροφορίες ασφάλειας
(safety information).

לפני שתתקינו מוצר זה, קראו את הוראות הבטיחות.

A termék telepítése előtt olvassa el a Biztonsági előírásokat!

Prima di installare questo prodotto, leggere le Informazioni sulla Sicurezza.

製品の設置の前に、安全情報をお読みください。

본 제품을 설치하기 전에 안전 정보를 읽으십시오.

Пред да се инсталира овој продукт, прочитајте информацијата за безбедност.

Lees voordat u dit product installeert eerst de veiligheidsvoorschriften.

Les sikkerhetsinformasjonene (Safety Information) før du installerer dette produktet.

Przed zainstalowaniem tego produktu, należy zapoznać się
z książką "Informacje dotyczące bezpieczeństwa" (Safety Information).

Antes de instalar este produto, leia as Informações sobre Segurança.

Перед установкой продукта прочтите инструкции по
технике безопасности.

Pred inštaláciou tohto produktu si prečítajte bezpečnostné informácie.

Pred namestitvijo tega proizvoda preberite Varnostne informacije.

Antes de instalar este producto lea la información de seguridad.

Läs säkerhetsinformationen innan du installerar den här produkten.

安裝本產品之前，請先閱讀「安全資訊」。

General safety guidelines

Always observe the following precautions to reduce the risk of injury and property damage.

Service

Do not attempt to service a product yourself unless instructed to do so by the Customer Support Center. Use only a service provider who is approved to repair your particular product.

Note: Some parts can be upgraded or replaced by the customer. These parts are referred to as Customer Replaceable Units, or CRUs. Lenovo expressly identifies CRUs as such, and provides documentation with instructions when it is appropriate for customers to replace those parts. You must closely follow all instructions when performing such replacements. Always make sure that the power is turned off and that the product is unplugged from any power source before you attempt the replacement. If you have any questions or concerns, contact the Customer Support Center.

Power cords and power adapters

Use only the power cords and power adapters supplied by the product manufacturer.

Never wrap a power cord around the power adapter or other object. Doing so can stress the cord in ways that can cause the cord to fray, crack or crimp. This can present a safety hazard.

Always route power cords so that they will not be walked on, tripped over, or pinched by objects.

Protect the cord and power adapters from liquids. For instance, do not leave your cord or power adapter near sinks, tubs, toilets, or on floors that are cleaned with liquid cleansers. Liquids can cause a short circuit, particularly if the cord or power adapter has been stressed by misuse. Liquids can also cause gradual corrosion of the power cord terminals and/or the connector terminals on the adapter which can eventually result in overheating.

Always connect power cords and signal cables in the correct order and ensure that all power cord connectors are securely and completely plugged into receptacles.

Do not use any power adapter that shows corrosion at the ac input pins and/or shows signs of overheating (such as deformed plastic) at the ac input or anywhere on the power adapter.

Do not use any power cords where the electrical contacts on either end show signs of corrosion or overheating or where the power cord appears to have been damaged in any way.

Extension cords and related devices

Ensure that extension cords, surge protectors, uninterruptible power supplies, and power strips that you use are rated to handle the electrical requirements of the product. Never overload these devices. If power strips are used, the load should not exceed the power strip input rating. Consult an electrician for more information if you have questions about power loads, power requirements, and input ratings.

Plugs and outlets

If a receptacle (power outlet) that you intend to use with your computer equipment appears to be damaged or corroded, do not use the outlet until it is replaced by a qualified electrician.

Do not bend or modify the plug. If the plug is damaged, contact the manufacturer to obtain a replacement.

Some products are equipped with a three-pronged plug. This plug fits only into a grounded electrical outlet. This is a safety feature. Do not defeat this safety feature by trying to insert it into a non-grounded outlet. If you cannot insert the plug into the outlet, contact an electrician for an approved outlet adapter or to replace the outlet with one that enables this safety feature. Never overload an electrical outlet. The overall system load should not exceed 80 percent of the branch circuit rating. Consult an electrician for more information if you have questions about power loads and branch circuit ratings.

Be sure that the power outlet you are using is properly wired, easily accessible, and located close to the equipment. Do not fully extend power cords in a way that will stress the cords.

Connect and disconnect the equipment from the electrical outlet carefully

Batteries

All personal computers manufactured by Lenovo contain a non-rechargeable coin cell battery to provide power to the system clock. In addition many mobile products such as ThinkPad notebook PCs utilize a rechargeable battery pack to provide system power when in portable mode. Batteries supplied by Lenovo for use with your product have been tested for compatibility and should only be replaced with Lenovo approved parts.

Never attempt to open or service any battery. Do not crush, puncture, or incinerate batteries or short circuit the metal contacts. Do not expose the battery to water or other liquids. Only recharge the battery pack strictly according to instructions included in the product documentation.

Battery abuse or mishandling can cause the battery to overheat, which can cause gasses or flame to “vent” from the battery pack or coin cell. If your battery is damaged, or if you notice any discharge from your battery or the buildup of foreign materials on the battery leads, stop using the battery and obtain a replacement from the battery manufacturer.

Batteries can degrade when they are left unused for long periods of time. For some rechargeable batteries (particularly Lithium Ion batteries), leaving a battery unused in a discharged state could increase the risk of a battery short circuit, which could

shorten the life of the battery and can also pose a safety hazard. Do not let rechargeable Lithium-Ion batteries completely discharge or store these batteries in a discharged state.

Heat and product ventilation

Computers generate heat when turned on and when batteries are charging. Notebook PCs can generate a significant amount of heat due to their compact size. Always follow these basic precautions:

- Do not leave the base of your computer in contact with your lap or any part of your body for an extended period when the computer is functioning or when the battery is charging. Your computer produces some heat during normal operation. Extended contact with the body could cause discomfort or, potentially, a skin burn.
- Do not operate your computer or charge the battery near flammable materials or in explosive environments.
- Ventilation slots, fans and/or heat sinks are provided with the product for safety, comfort, and reliable operation. These features might inadvertently become blocked by placing the product on a bed, sofa, carpet, or other flexible surface. Never block, cover or disable these features.

CD and DVD drive safety

CD and DVD drives spin discs at a high speed. If a CD or DVD is cracked or otherwise physically damaged, it is possible for the disc to break apart or even shatter when the CD drive is in use. To protect against possible injury due to this situation, and to reduce the risk of damage to your machine, do the following:

- Always store CD/DVD discs in their original packaging
- Always store CD/DVD discs out of direct sunlight and away from direct heat sources
- Remove CD/DVD discs from the computer when not in use
- Do not bend or flex CD/DVD discs, or force them into the computer or their packaging
- Check CD/DVD discs for cracks before each use. Do not use cracked or damaged discs

Registering your option

Thank you for purchasing this Lenovo™ product. Please take a few moments to register your product and provide us with information that will help Lenovo to better serve you in the future. Your feedback is valuable to us in developing products and services that are important to you, as well as in developing better ways to communicate with you. Register your option on the Web site:

<http://www.lenovo.com/register>

Lenovo will send you information and updates on your registered product unless you indicate on the Web site questionnaire that you do not want to receive further information.

Chapter 1. Product description

The ThinkVision® C400 Wireless Projector projects a bright, quality image that enables you to make professional presentations. Being lightweight and compact in size, the C400 Wireless Projector is a great departmental solution and allows you to move easily from boardroom to the conference room. Some main features of this projector are:

- Extremely powerful, lightweight, and portable at 3.4 kg (7.5 lbs).
- Sharp and clear images with a high contrast ratio of 1200:1.
- Beautiful reproduction of high-quality images from your PC and other media sources (for example, a DVD Player).

Packing checklist

In addition to this user's guide, your option package contains the following:

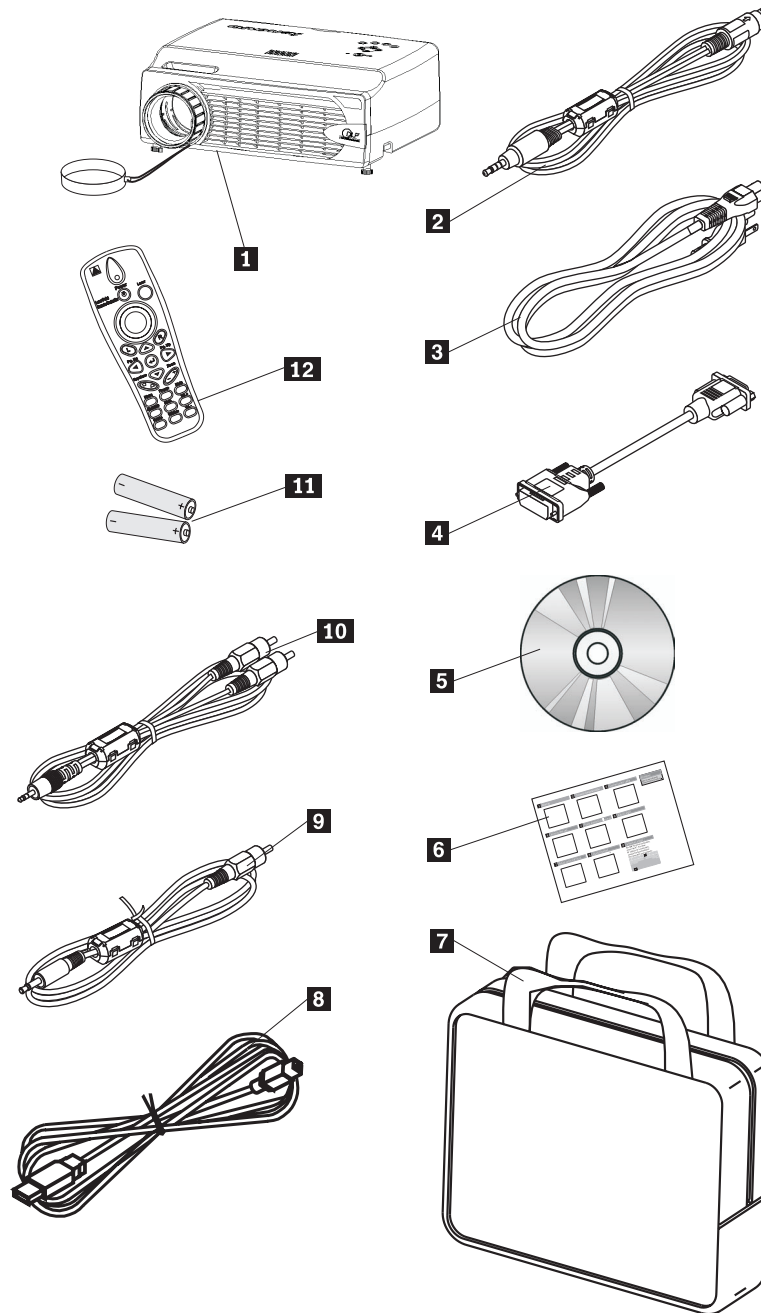


Figure 1-1. Standard Accessories

- 1** Projector with lens cap
- 2** Video cable (S-video)
- 3** Power cord
- 4** Computer cable (DVI-DB15)
- 5** User's Guide and installation CD

- 6** Multi-language quick start guide
- 7** Carrying case
- 8** USB cable
- 9** Video cable (Mini-jack RCA)
- 10** Audio cable (Mini jack-RCA)
- 11** Remote control batteries
- 12** Remote control

If any of the items listed above are missing or damaged, contact your place of purchase.

Note: Be sure to retain your proof of purchase; it will be required to receive warranty service.

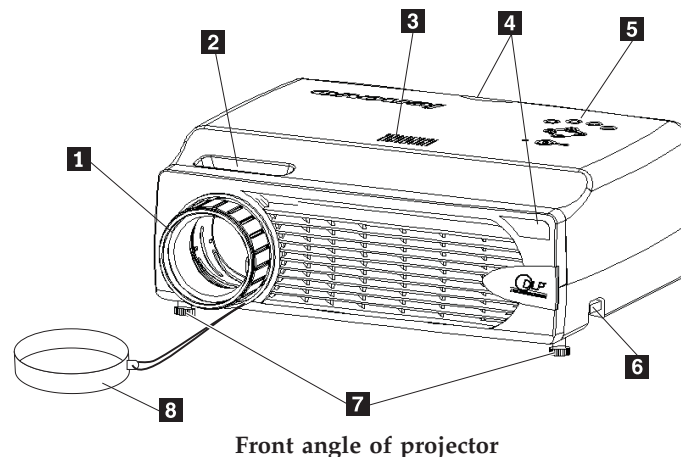
For information on optional accessories for your projector, go to the <http://www.lenovo.com/think> Web site.

Important:

- Avoid using the projector in dusty environments
- Leave the power cable plugged in (for 2-5 minutes) until the projector returns to room temperature before placing the projector inside the soft case. Placing the projector into the case too soon after switching off the power could cause the projector to overheat and will shorten lamp life.
- Be sure to attach the lens cap and place the projector into the soft case with the lens facing upward to avoid damaging the lens.

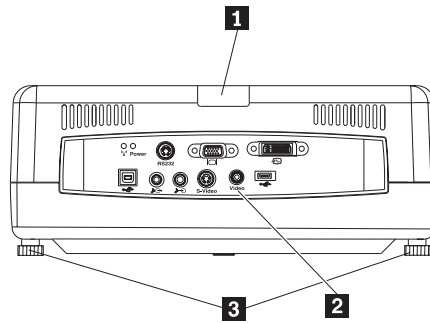
Projector features

The figures below show the different views and features of the projector.



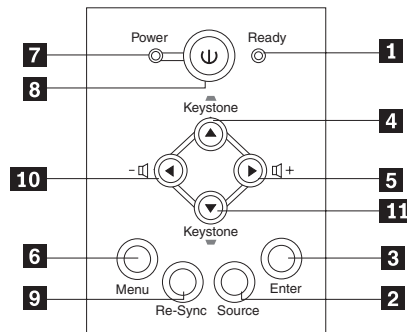
- 1** Focus
- 2** Zoom
- 3** Speaker
- 4** Remote control receiver (IR)
- 5** Keypad
- 6** Height adjuster button

- 7** Height adjuster
- 8** Lens cap



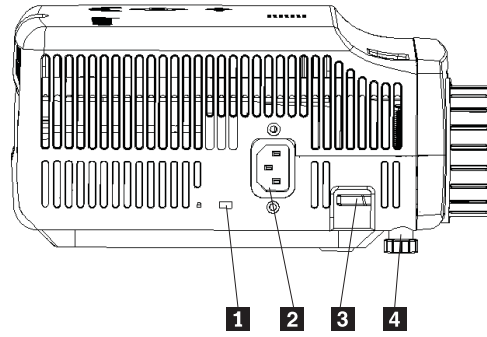
Back angle of projector

- 1** IR
- 2** Connectors
- 3** Elevator foot/leveling foot



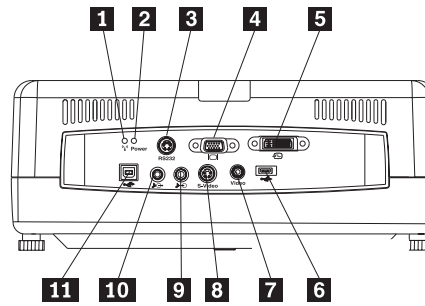
Keypad on projector

- 1** Ready LED
- 2** Source
- 3** Enter
- 4** Keystone/Up button
- 5** Volume/right button
- 6** Menu
- 7** Power LED
- 8** Power button
- 9** Re-Sync
- 10** Volume/left button
- 11** Keystone/down button



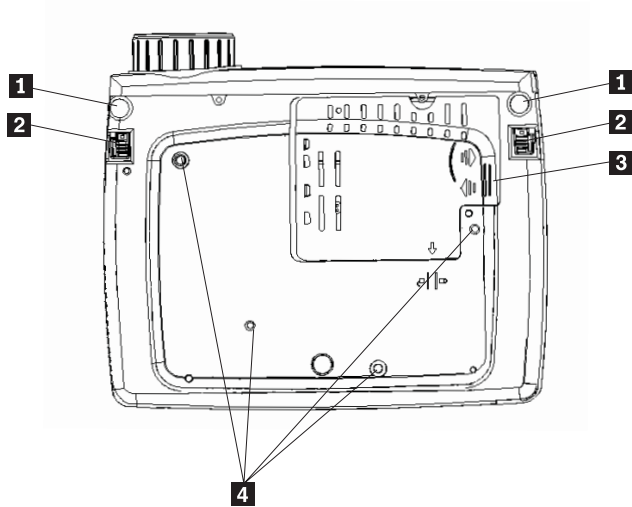
Side view of the projector

- 1** Kensington lock slot
- 2** Power
- 3** Height adjuster button
- 4** Height adjuster



Connectors on back of the projector

- 1** Wireless LED
- 2** Wireless Power LED
- 3** RS 232
- 4** Video Out
- 5** DVI-I In
- 6** USB Memory Key connector
- 7** Composite Video
- 8** S-Video
- 9** Audio In
- 10** Audio Out
- 11** USB Mouse



Bottom view of the projector

- 1** Height adjuster
- 2** Height adjuster button
- 3** Projection lamp cover
- 4** Mounting bracket holes

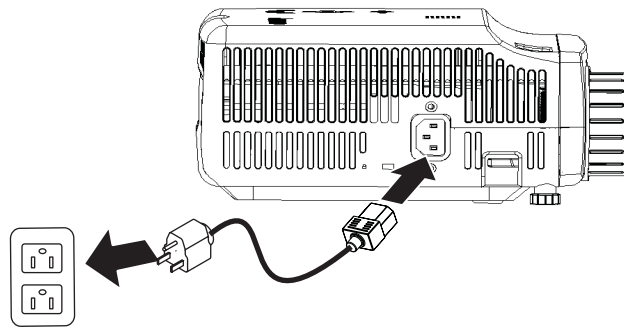
Chapter 2. Setting up the projector

This chapter provides information on positioning the projector, connecting a computer source and displaying and adjusting an image.

Starting the projector

To start the projector, do the following.

1. Connect the power cord to the projector as shown below. Connect the other end of the cord to an electrical outlet. The Power and Lamp-ready LEDs turn on.



2. Remove the lens cover.
3. Attach any wired input devices.
4. Turn on the connected input devices. For more information, go to “Connecting devices” on page 4-1
5. Be sure that the Power LED lights steady (not flashing) amber and then press the **Power** button to turn on the projector.

The projector display window opens and the projector detects connected devices. If you are connecting wirelessly, go to Chapter 3.

If you connected the projector to a ThinkPad® computer, press Fn+F7 on the computer to switch the display output to the projector. If you connected the projector to a non-ThinkPad computer, refer to the documentation that came with your computer for information on how to change the display output.



Attention: Do not look directly into the projection lens when the lamp is turned on. The bright light might harm your eyes.

6. If you have connected more than one input device to the projector, toggle the **Source** button to change devices. (DVD and HDTV are supported through the DVI-I cable connector.)
7. For information on turning off the projector, go to "Turning off the projector."

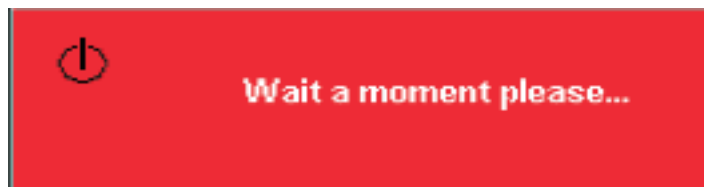
Attention: Before moving the projector, be sure to power down the projector properly and disconnect the projector from the main power source. See "Turning off the projector" for more information on turning off the projector normally.

Turning off the projector

To turn off the projector, do the following.

1. Press the **Power** button.

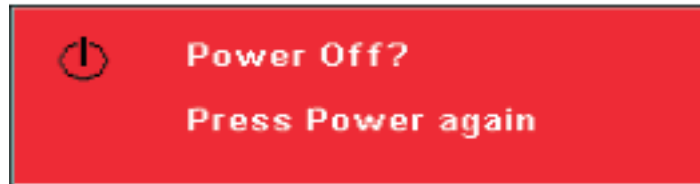
The projector prepares for shut-down and the Wait a moment message displays, as shown below. The projector turns off automatically within 5 seconds.



Note: This operation can be cancelled by pressing a button other than the **Power** button.

2. Press the **Power** button when the Power Off?/Press Power again message displays, as shown below.

Note: Leave the power cable plugged in for at least 2-5 minutes until the projector returns to room temperature before placing the projector inside the soft case. Placing the projector into the case too soon after switching off the power could cause the projector to overheat.



The projector turns off.

Positioning the projector

To determine where to position the projector, consider the size and shape of your screen, the location of your power outlets, and the distance between the projector and the rest of your equipment. Following are some general guidelines:

- Position the projector on a flat surface at a right angle to the screen. The projector must be at least 1.5 m (4.9 ft) from the projection screen.
- Position the projector within 2.7 m (9 ft) of your power source and within 1.8 m (6 ft) of any wired video devices (unless you purchase extension cables). To ensure adequate cable access, do not place the projector within .15 m (6 in.) of a wall or other object.

Note: Wireless range may vary depending on environmental conditions.

- Position the projector the desired distance from the screen. The distance from the lens of the projector to the screen, the zoom setting, and the video format determine the size of the projected image.

Attention: Ensure that projector air flow is sufficient and not blocked or using recirculated air. Please also ensure that the projector is not in a confined space.

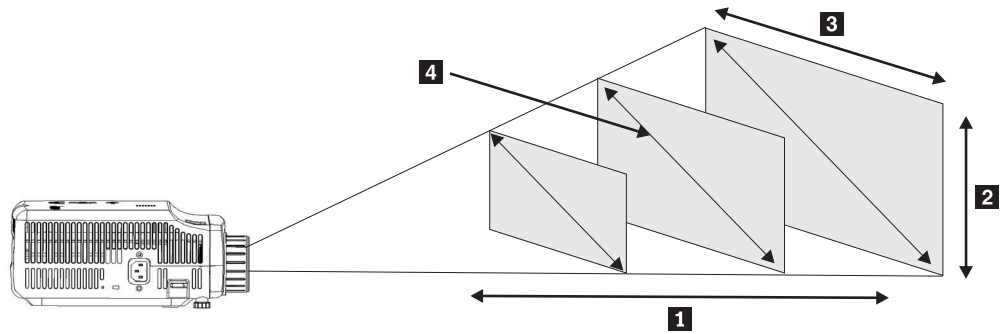


Figure 2-1.

Table 2-1.

Projection distance 1 (m/ft)	Image height 2 (zoom max/min)	Image Width 3 (zoom max/min)	Diagonal image size 4 (zoom max/min)
1.5 m/4.92 ft	0.7 m/0.5 m 25.6 in./21.2 in.	0.9 m/0.7 m 33.8 in./28.3 in.	1.1 m/0.9 m 42.5 in./35.4 in.
2.0 m/6.56 ft	0.9 m/0.7 m 34.0 in./28.3 in.	1.2 m/ 1.0 m 45.3 in./37.8 in.	1.4 m/1.2 m 56.7 in./47.2 in.
2.4 m/7.87 ft	1.0 m/0.9 m 40.5 in./34 in.	1.4 m /1.2 m 53.9 in./45.3 in.	1.7 m/1.4 m 67.7 in./56.7 in.
2.8 m/9.18 ft	1.2 m/1.0 m 47.4 in./39.7 in.	1.6 m/ 1.3 m 62.9 in./52.7 in.	2.0 m/1.7 m 79.1 in./66.1 in.
3.2 m/10.5 ft	1.4 m/1.2 m 54.3 in./45.3 in	1.8 m/1.5 m 72.4 in./60.6 in.	2.3 m/1.9 m 90.5 in./75.6 in.
3.6 m/11.81 ft	1.6 m/1.3 m 61.0 in./51.2 in.	2.1 m /1.7 m 81.5 in./68.1 in.	2.6 m/2.2 m 101.9 in./85.0 in.
4.0 m/13.12 ft	1.7 m/1.4 m 68.1 in./56.7 in.	2.3 m/1.9 m 90.6 in./75.6 in.	2.9 m/2.4 m 113.4 in./94.5 in.
4.4 m/14.43 ft	1.9 m/1.6 m 74.8 in./62.2 in.	2.5 m/2.1 m 99.6 in./83.1 in.	3.2 m/2.6 m 124.8 in./103.9 in.
4.8 m/15.74 ft	2.2 m/1.9 m 81.6 in./67.7 in.	2.8 m/2.3 m 108.7 in./90.6 in.	3.5 m/2.9 m 135.8 in./113.4 in.
5.2 m/17.06 ft	2.2 m/1.9 m 88.2 in./73.6 in.	3.0 m/2.5 m 117.7 in./98.4 in.	3.7 m/3.1 m 147.2 in./122.8 in.
5.6 m/18.37 ft	2.4 m/2.0 m 95.3 in./79.1 in.	3.2 m/2.7 m 126.8 in./105.9 in.	4.0 m/3.4 m 158.7 in./132.3 in.

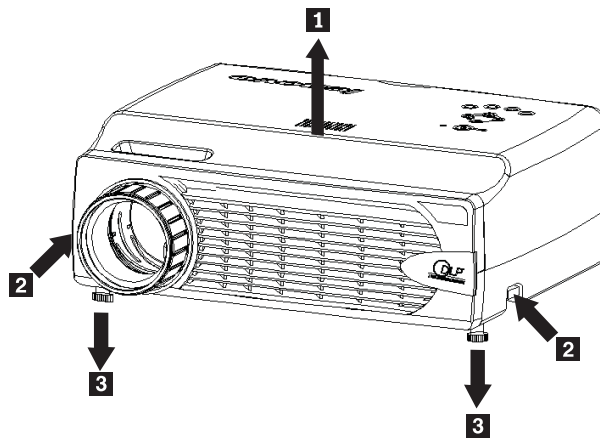
Table 2-1. (continued)

Projection distance 1 (m/ft)	Image height 2 (zoom max/min)	Image Width 3 (zoom max/min)	Diagonal image size 4 (zoom max/min)
6.0 m/19.68 ft	2.6 m/2.2 m 101.9 in./85.0 in.	3.5 m/2.9 m 135.8 in./113.4 in.	4.3 m/3.6 m 170.1 in./141.7 in.
10.0 m/32.8 ft	4.3 m/3.6 m 170.1 in./141.7 in.	5.8 m/4.8 m 226.8 in./188.9 in.	7.2 m/6.0 m 283.5 in./236.2 in.

Adjusting the projector level and height

To adjust the projector level and height, complete the following procedure:

1. To raise the height of the projector, lift the projector **1** and press the height-adjuster buttons **2**. The elevator foot **3** drops down.
2. To make minor adjustments to the height, rotate the elevator foot.
3. To lower the level of the projector, press the height-adjuster button and press down on the top of the projector.



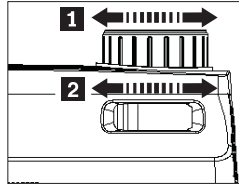
Note:

- The projector table or stand should be level and sturdy.
- Position the projector so that it is perpendicular to the screen.
- Be sure the cables are *not* in a place where they can knock over the projector.

Adjusting the image

To adjust the zoom, focus, and keystone for the image, do the following:

1. Twist the rings on the projector to adjust the focus **1** and zoom **2**, as shown below.



2. Use the **Keystone** buttons on the projector or the remote to correct image-trapezoid (wider top or bottom) effect.
The keystone control appears on the On Screen Display (OSD), as shown.



Adjusting the volume

To adjust the volume, do the following:

1. Press the **Volume +/-** buttons on the projector or the remote control. The volume control appears on the OSD.



2. Use the **Volume +/-** buttons shown below to adjust the level.
3. Press the **Mute** button (on the remote control only) to turn off the volume.



4. Press any **Volume +/-** buttons on the projector or remote control to turn off mute.

Chapter 3. Using the wireless features

This chapter provides information on using the wireless features of the C400 Wireless Projector.

Installation

Follow the instructions below to install the Lenovo Wireless Projecting Software.

Note: If there is a previous version of Lenovo Wireless Projecting Software, it is recommended to first uninstall it, then restart the computer prior to installing the new version.

To install the software from the CD or view the User's guide:

1. Insert the *C400 Wireless Projector Software & User's Guide* CD into the CD or DVD drive. If the CD starts automatically, go to Step 5.
2. If the CD does not start, click **Start** and then click **Run**.
3. Type `e:\launch.bat` where *e* is the drive letter of the CD or DVD drive.
4. Click **OK**. The CD browser window opens.
5. Follow the on-screen instructions.

Using the projector software

Lenovo Wireless Projecting Software includes many features such as:

- Starting a wireless projecting session
- Searching for a wireless projector
- Binding a wireless projector
- Retrieving the property details of a wireless projector
- Quick projection
- Selecting a WLAN adapter
- Remote control emulation
- USB image display
- Ending a wireless projecting session

Starting a wireless projecting session

To start a wireless projecting session, please follow the steps below:

1. Turn on the wireless projector.
2. Start the Wireless Projecting Software either through the Start menu or through the desktop icon.

Note: ThinkPad users can press `Fn+F7` and use the pre-set scheme;
Presentation on Lenovo Wireless Projector.

3. The Wireless Projecting Software will then search for wireless projectors and available projectors will be listed. Clicking **Refresh** will refresh the list.

For a WEP-enabled wireless projector, there will be a lock mark on the top left corner of the projector icon.

Note: If no WLAN adapter is found, the system will give a warning message, and the task tray icon will dim.

4. From the list of projectors found, double-click the projector's ID.
5. If the projector is WEP-enabled, enter the correct session key from the projector screen. A correct session key is required in order to start a wireless projecting session.

After a successful wireless projecting session, the session key will be remembered until you exit the wireless projecting software.

When a computer tries to start a wireless projecting session to a projector already displaying an image from a wired device, the following prompt will appear:

By clicking OK from a wired device, a wireless projection will begin in the background. The wired projection continues without any interference. You can switch to the wireless projection by pressing the Wireless button on the remote, and press Source to switch back.

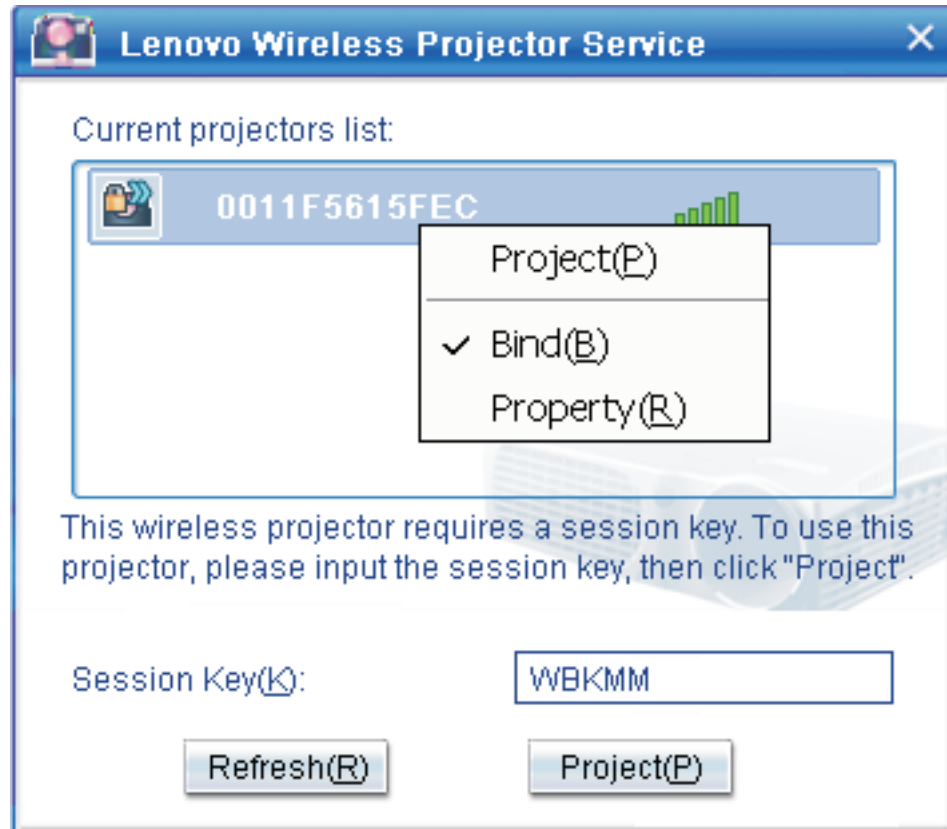
During wireless projection, the disconnection prevention mechanism will reduce unexpected disconnections.

Binding and Unbinding a Projector

Binding is an optional setting which allows a user to select one wireless projector and associate it with the user's notebook. If binding is selected, a hotkey combination (Ctrl + F5) can be used to toggle projecting on/off. Also, when binding is selected, the software automatically projects to the selected wireless projector.

To bind a projector, launch the Lenovo Wireless Projector software application, which will automatically search for available wireless projectors.

A list of available projector(s) will appear. Right-click over the projector in the list that you wish to bind and select the **Bind** option from the pop-up menu (as shown below).



To indicate that binding is on, the projector icon in the list of wireless projectors displays a blue double arrow.

Once binding is selected with one wireless projector, the user can simply toggle projection on/off with the hotkey combination Ctrl+F5 or by selecting **Project** and **End Project** from the system tray icon.

To unbind the projector, start the wireless projector software and right-click over the bound projector in the list (indicated by the blue double arrow). De-select **Bind**. Alternately, the user can right-click the software icon in the system tray and select **Configuration**. Choose the **Setting** tab and uncheck the **Projector Binding** check box. Select **OK** to confirm and close the window.

Retrieving the property of a projector

After starting the Wireless Projecting Software, right-click the **projector** found in the Current Projectors List displayed in the system tray, to display the popup menu. Then select **Property** to show the projector ID, model, version, and status.



Status of the projector

There are five working statuses of the projector:

- Ready
- Wireless projecting
- Wired projecting
- USB image display
- Unknown

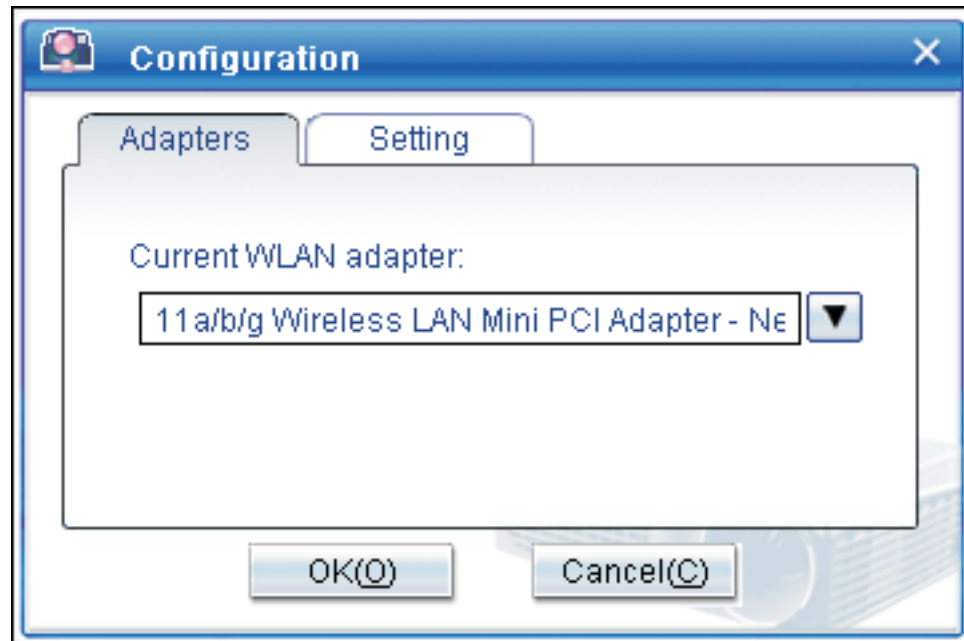
Note: Projector property cannot be retrieved during wireless projecting.

Wireless software configuration

Right-click the **Lenovo Wireless Projector** system tray icon on the bottom right of the screen. Select **Configuration** to open the Configuration window.

Selecting adapter

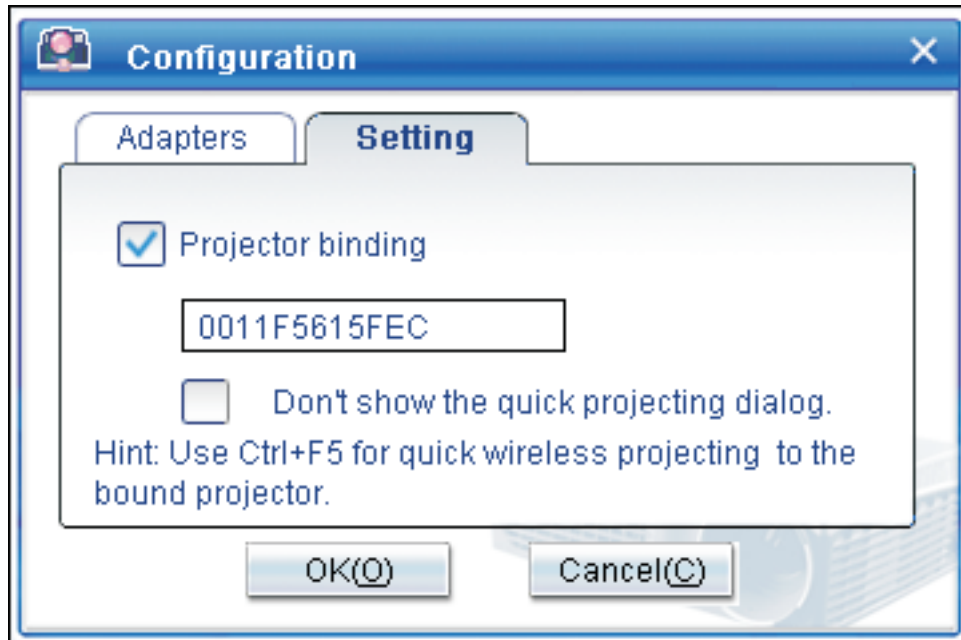
In the **Adapter** tab the current WLAN adapter will be shown.



If there is more than one WLAN adapter in your notebook computer, you can perform wireless projection while browsing the Internet. You can select one of the WLAN adapters to project by clicking the drop-down list box, as shown below:

Note: Anytime you move the mouse pointer over the Lenovo Wireless Projector system tray icon, the information for the selected WLAN adapter will appear.

In the **Setting** tab, the current binding setting will be shown.



When **Projector binding** is checked, the projector binding function is enabled.

The ID of the bound projector will appear in the box below **Projector binding**, as shown above.

After unchecking **Projector binding**, Bind Projector in the right-click menu will be gray, and you cannot bind any projector.

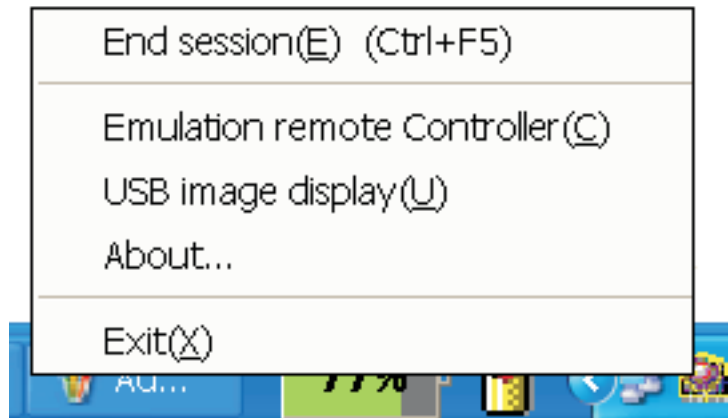
To prevent the quick projecting confirmation window from appearing, check **Don't show the quick projecting dialog**, in the **Setting** tab.

If you want to disable the binding projector function or quick projection function, please uncheck the Projector binding, then click **OK**.

Remote controller emulation

Remote controller emulation has the same functions as a remote controller. For example, you can use the remote emulation controller to open the projector menu, configure the projector, and turn off the projector with it.

The Remote controller emulation item can only be shown on the system tray menu on the bottom right corner of the desktop, when the projector is in wireless projecting status. Right-click the **Lenovo Wireless Projector** system tray icon, and select **Emulation remote controller** to open the controller panel, as shown below.



Buttons of the remote emulation controller



Listed below are the remote emulation controller buttons and functions:

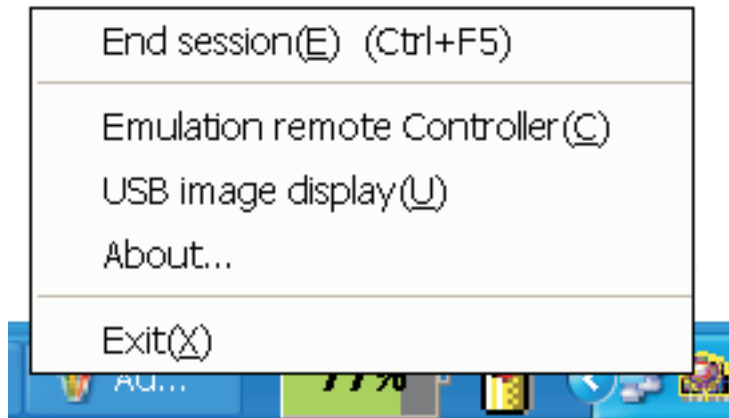
- **Menu:** Open the projector OSD menu or go back to the previous menu level.

Note: The OSD menu will only display on the projector screen. For more information go to “Navigating the OSD” on page 7-1.

- **Back:** Back to previous menu level.
- **Close:** Click this button and there will be a confirmation message. Click **Yes** to turn the projector off.
- **Up, Down, Left and Right:** Operates the same as remote-control keys.
- **Enter:** Confirm changes.
- **Close:** Close the remote emulation controller.

USB image display

The projector has a built-in USB port, which can play pictures from a USB memory key. The USB image display option will only be shown on the Lenovo Wireless Projector tray menu on the bottom right corner of the desktop, while the projector is in a wireless projecting state, as shown below.



Right-click the **Lenovo Wireless Projector** icon in the system tray and select **USB image display** to start this function.

Note: You may also start USB image display with the projector OSD menu. For information go to “USB image display” on page 3-7 on page 5-3.

Ending projection

You can use any of the following procedures to end the current wireless projection session:

- Right-click **Lenovo Wireless Projector** system tray icon to select **End Project**.
- Press hotkeys (**Ctrl+F5**) to end the current projection.
- Double-click the **Lenovo Wireless Projector** system tray icon, and the following prompt will appear:
Select **Yes** to end the projection, and **No** to abort this action.
- Press **Wireless** button on the remote controller to end the projection immediately.
- Right-click **Lenovo Wireless Projector** system tray icon to select **Exit**.

Note: This procedure will also end your software session.

After ending the projection, your original network environment will be restored, and other notebook computers can project to the projector.

Wireless projector system tray icon

After starting the Wireless Projecting software, you can right-click the Wireless Projector system tray icon.

- **Project:** Select **Project**, or press the hotkey **P** for the quick projection to the bound projector. If there is no projector to be bound in the wireless projector list, the main window will be shown.
- **Configuration:** Select **Configuration, Setting** tab and the **Adapters** tab can be selected in Configuration dialog.
- **About:** Select **About**, you can view the version information of the Lenovo Wireless Projector Service Application.

- **Exit:** Select **Exit** to stop Lenovo Wireless Projector program.

After starting the wireless projection, you can right-click **Wireless Projector** system tray icon on the bottom right of the screen, then the follow tray menu will appear:

- **End Project:** Select **End Project**, or press the hotkeys (Ctrl+F5) to end the current wireless projection.
- **Emulation remote controller:** Select **Emulation remote controller** to open the software remote controller on your computer.
- **USB image display:** Select **USB image display** to start projecting images stored on a USB memory key.
- **About:** Select **About**, you can view the version information of the Lenovo Wireless Projector Service Application.
- **Exit:** Select **Exit** to stop Lenovo Wireless Projector program.

Exit

Right-click **Lenovo Wireless Projector** system tray icon to select **Exit** to stop Lenovo Wireless Projector program.

Note: When a ThinkPad user presses Fn+F7 and selects a different display scheme in Presentation Director, this will also stop the Lenovo Wireless Projection Program. You will lose all saved session keys anytime you stop the Lenovo Wireless Projection Software, (even when it is in wireless projection.)

Note: Lenovo Wireless Projecting Software can exit any time even when it is in wireless projection, then, all saved session keys will be lost.

Uninstallation

Please see the steps below to remove uninstall the Wireless Projecting Software:

1. Click **Start**.
2. Click **Programs**.
3. Click **Lenovo Wireless Projector**.
4. Click **Uninstall Lenovo Wireless Projector**.
5. Follow the onscreen instructions.

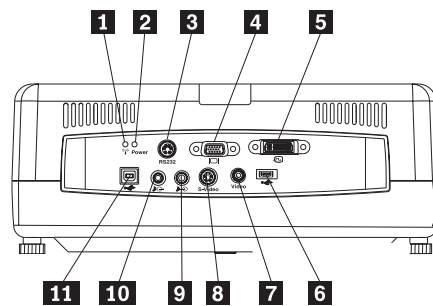
Note: If the Wireless Projecting Software is running, a message box will appear. Close the Wireless Projecting Software, and restart the uninstallation process.

Chapter 4. Connecting devices to the projector

This chapter provides information on connecting devices to the C400 Wireless Projector.

Connecting devices

Computers and video devices can be connected to the projector at the same time. Refer to the documentation that comes with the connecting device to verify that the device has the appropriate output connector.

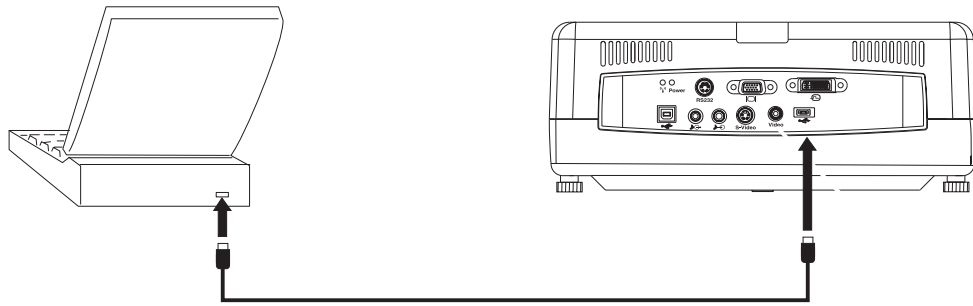


- 1** Wireless LED
- 2** Wireless Power LED
- 3** RS 232
- 4** Video Out
- 5** DVI-I In
- 6** USB Memory Key connector
- 7** Composite Video
- 8** S-Video
- 9** Audio In
- 10** Audio Out
- 11** USB Mouse

Remote mouse control using USB

Note: For wireless projecting sessions, USB connection is not required.

To control your computer mouse using the projector remote control, connect the projector to the computer with a USB cable as shown below:



Note: USB mouse function is only supported with Microsoft® Windows® 2000 and Windows XP.

Connecting to a computer monitor

If you want to see the image on a separate monitor as well as on the projection screen, plug the monitor cable to the monitor out connector on the projector.

Chapter 5. Maintenance

This chapter provides information on projector maintenance.

Cleaning the projector

Cleaning the projector to remove dust and grime will help ensure trouble-free operation.

- Be sure to turn off and unplug the projector at least 1 hour before cleaning. Failure to do so could result in a severe burn.
- Use only a dampened cloth when cleaning. Do not allow water to enter the ventilation openings on the projector.
- If a little water gets into the projector interior while cleaning, leave it unplugged in a well-ventilated room for several hours before using.
- If a lot of water gets into the projector interior when cleaning, have the projector serviced.

Cleaning the lens

To clean the lens, complete the following procedure:

1. Apply a non-abrasive camera lens cleaner to a soft, dry cloth.

Note: Avoid using an excessive amount of cleaner, and do not apply the cleaner directly to the lens. Abrasive cleaners, solvents or other harsh chemicals might scratch the lens.

2. Lightly wipe the cleaning cloth over the lens in a circular motion. If you do not intend to use the projector immediately, replace the lens cap.

Cleaning the case

Follow the steps below to clean the projector case:

1. Wipe off dust with a clean dampened cloth.
2. Moisten the cloth with warm water and mild detergent (such as dish detergent), and wipe the case.
3. Rinse all detergent from the cloth and wipe the case again.

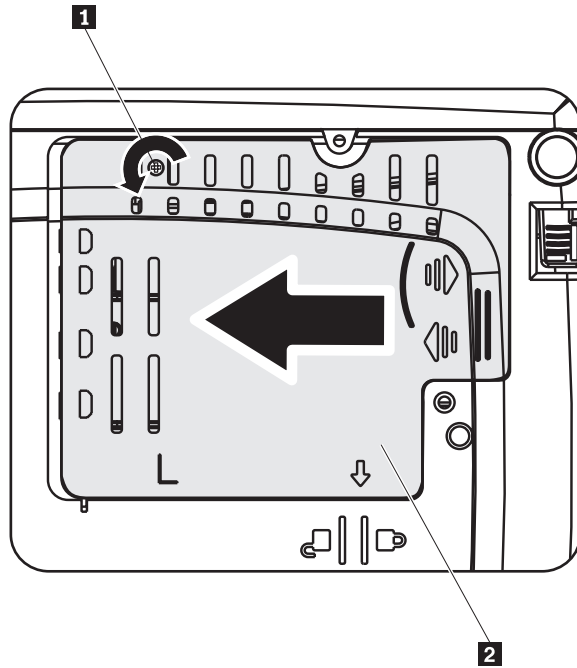
Note: To prevent discoloration or fading of the case, do not use abrasive alcohol-based cleaners.

Replacing the projector lamp

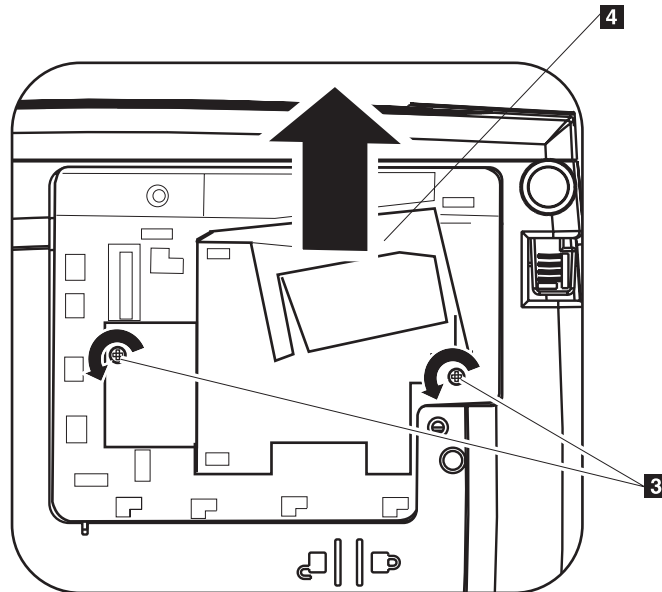
The projector lamp should only be replaced with an Lenovo certified replacement part, which you can order from your business partner or go to www.lenovo.com/think.

To replace the projector lamp, complete the following procedure:

1. Turn off the projector, unplug the power cord, and allow the projector to cool for at least 1 hour.
2. Use a Phillips-head screwdriver to remove the screw from the lamp compartment cover as shown in **1**.
3. Remove the lamp compartment cover as shown in **2**.

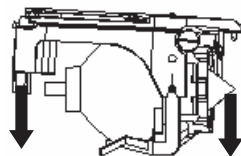


4. Remove the two screws from the lamp module as shown in **3**.
5. Lift the module handle up and pull up firmly as shown in **4**.



6. Reverse steps 1 through 5 to install the new lamp module.

Note: The lamp module should be oriented as shown below when replacing.



Attention: This product contains a Metal Arc Lamp, which contains Mercury. Dispose of it as required by local ordinances and regulations.

The USA restricts or prohibits the disposal of some or all lamps containing mercury in the municipal waste stream. Please visit www.lamprecycle.org for more information on specific state disposal requirements and recycling facilities.

For users in Connecticut, please call Northeast Lamp Recycling toll-free at 1-888-657-5267 to place an order for the delivery of a kit that includes a box for the lamp, tape, and a return shipping label.

Resetting the lamp timer

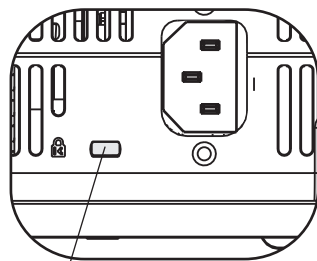
After replacing the lamp, you should reset the lamp hour counter to zero. Please follow the steps below.

1. Press the **Menu** button to open the main menu.
2. Press the cursor **left/right** button to move to the Info menu.
3. Press the cursor **up/down** button to move down to Lamp Timer.
4. Press the **Enter** button. The screen will show Press **Enter** to Lamp Timer Reset.
5. Press the **Enter** button again to reset the lamp hours.

Attention: Lamp Life is a measure of brightness degradation only and is not a specification for the time it takes a lamp to fail and cease light output. Lamp Life is defined as the time it takes for more than 50% of a lamp sample population to have brightness decrease by approximately 50% of the rated lumens for the specified lamp. For example, if the defined life of a sample set of lamps is 2000 hours and their brightness is rated at 1100 lumens, then after 2000 hours 50% of the lamps will still be brighter than 550 lumens.

Using the security slot

The projector has a security slot, as shown. Refer to the information that comes with the lock for instructions on how to use it.



1
1 Kensington lock slot

Chapter 6. Using the projector features

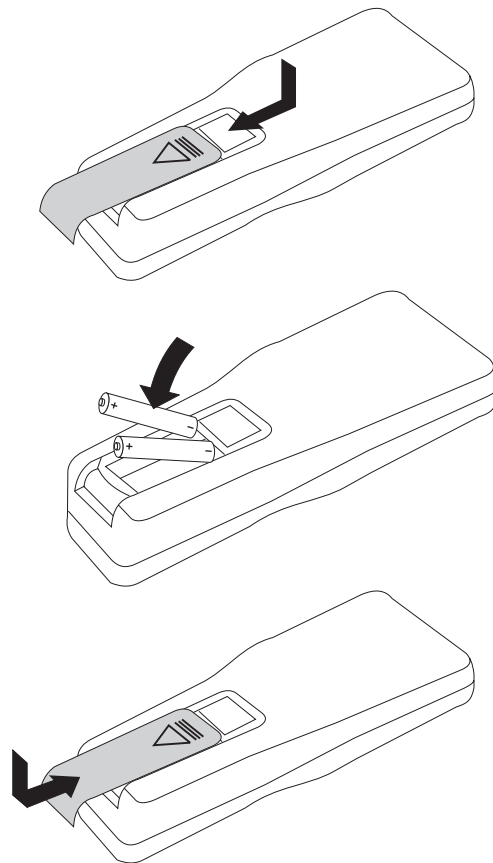
This chapter provides information on installing the remote control batteries and using the remote control, audio, keypad buttons, and other projector features.

Before you begin

Before you can use the remote control, you must install the AAA batteries that come with this projector. To install the batteries, do the following:

Note:

- Use only AAA alkaline batteries.
 - Dispose of used batteries according to local government ordinance regulations.
 - Remove the batteries when not using the remote control for prolonged periods.
1. Remove the battery compartment cover from the remote control as shown.
 2. Insert the supplied batteries into the remote control battery compartment, aligning the polarity (+/-) of the batteries with the polarity icons in the compartment, as shown.
 3. Replace the cover, as shown.



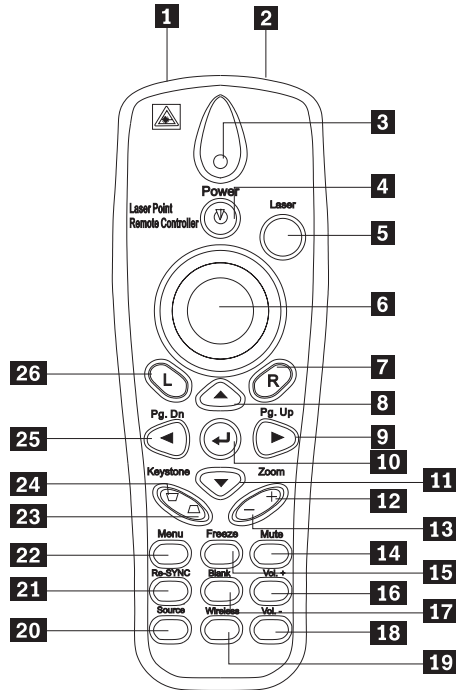
Using the remote control

The figure below provides an illustration of the remote.



CAUTION:

To reduce the risk of injury to the eyes, do not look directly into the remote control laser light and do not point the laser light into anyone's eyes. The remote control is equipped with a Class II laser that emits radiation.



- | | |
|-------------------------------|---------------------------------|
| 1 Laser transmitter | 14 Mute |
| 2 IR transmitter | 15 Freeze |
| 3 Status LED | 16 Volume up |
| 4 Power | 17 Blank |
| 5 Laser button | 18 Volume down |
| 6 Cursor pad | 19 Wireless |
| 7 Right mouse button | 20 Source |
| 8 Up cursor | 21 Re-SYNC |
| 9 Right cursor/Page up | 22 Menu |
| 10 Enter | 23 Keystone bottom |
| 11 Down cursor | 24 Keystone top |
| 12 Zoom + | 25 Left cursor/Page down |
| 13 Zoom - | 26 Left mouse button |

Operating range

This remote control uses infrared transmission to control the projector. It is not necessary to point the remote directly at the projector. The remote control will function within a maximum radius of 10m (32.8 ft) and 30° above or below the projector level. If the projector does not respond to the remote control, please see Appendix A, "Troubleshooting," on page A-1.

Note: The remote will still work when it is pointed at the projected image.

Projector and remote control buttons

The projector can be operated using the remote control or the buttons on the top of the projector. All operations can be carried out with the remote control.

USB image display

USB image display can display pictures from a USB memory device. It includes the following functions: scaling, auto-play and displaying in full screen.

USB image display can support five image formats (JPG, BMP, GIF except the animate feature of GIF89a PCX and PNG) and one image index file format (.IDX).

USB image display supports English and Simplified Chinese. When Simplified Chinese is selected in the OSD menu, both English and Simplified Chinese file names will be shown. When a language other than Simplified Chinese is selected in the OSD menu, the interface will be in English and file names in western languages such as English, French, German, Italian, Spanish, etc. can be shown.

Operation description

There are two ways of starting the USB image display:

- When the projector is in wireless projecting status, right click **Lenovo Wireless Projector** system tray icon, and select **USB image display** in the tray menu.
- Press **menu** button on the control panel of the projector or remote controller, then select **Information** → **Wireless Setting** → **USB Image Display** in the OSD menu.

In the USB image display status, you can browse pictures using the remote control left mouse button, right mouse button, cursor pad, PgUp and PgDn keys on the remote controller.

Menu selections

After you start the USB image display, the menu selections will appear in the toolbar. They are: Open, Auto Slide Show/Manual Slide Show, Previous , Next , Optimal Size/Original Size, Full Screen Mode and Exit.

Open

When clicking **Open** with the remote control, a window will open displaying all files that can be displayed in USB memory device and directories.

Select the file to be displayed from the list, and then click **Confirm** to start displaying.

Note: If the selected file is an index file (a plain text file with an .idx extension), the first file listed will be played after clicking **Confirm**; otherwise, the selected file will be played.

Previous

This opens the previous image stored in the same directory until the first image is displayed.

Next

This opens the next image stored in the same directory until the last image is displayed.

In full screen mode, when the last picture is shown, pressing **PgDn** key will go back to the first picture.

Auto Slide Show/Manual Slide Show

Selecting the Auto Slide Show/Manual Slide Show function, switches the image display between Manual Slide Show and Auto Slide Show. The default is Manual Slide Show.

In Manual Slide Show mode, the user can step through images using Previous and Next images.

In Auto Slide Show status, the images will change automatically every three seconds. After the last image has finished being displayed, it will go back to the first image.

Optimal Size/Original Size

If you click **Optimal Size** or double click **left button** (non full screen mode), images will be shown in optimal size (filling the screen). Click **Original Size** or double-click **left button** (non full screen mode), so the image will be shown in its original size.

Full Screen Mode

After opening a file, you can select **Full Screen Mode** or click the **right button** to switch back to full screen mode. Click **right button** to switch to non-full screen mode.

Exit

Exit stops the USB image display mode. To re-establish projection, select from the Lenovo Wireless Projector system tray icon, and choose **project**.

Chapter 7. On-Screen Display menu controls

This projector has an On-Screen Display (OSD) that lets you make image adjustments and change various settings.

Note: You must have a display on the screen in order to access some functions of the OSD.

Navigating the OSD

You can use the remote control or the buttons on the top of the projector to navigate and make changes to the OSD. The following sections show the menus in the OSD.

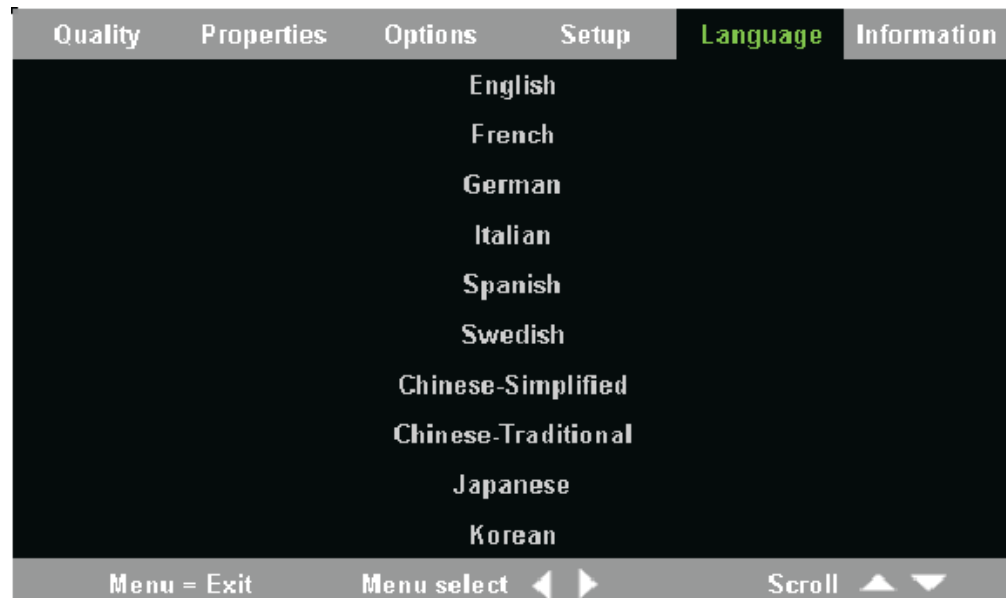
Language

To set the OSD language, do the following:

Note: The default OSD language is English.

1. Press the **Menu** button.
2. Press the cursor **left/right** buttons until Language is highlighted.
3. Press the cursor **up/down** buttons until the language you want is highlighted.
4. Press **Enter** to select the language.
5. Press the **Menu** button twice to close the OSD.

The image below shows the Language menu. The default language is English.

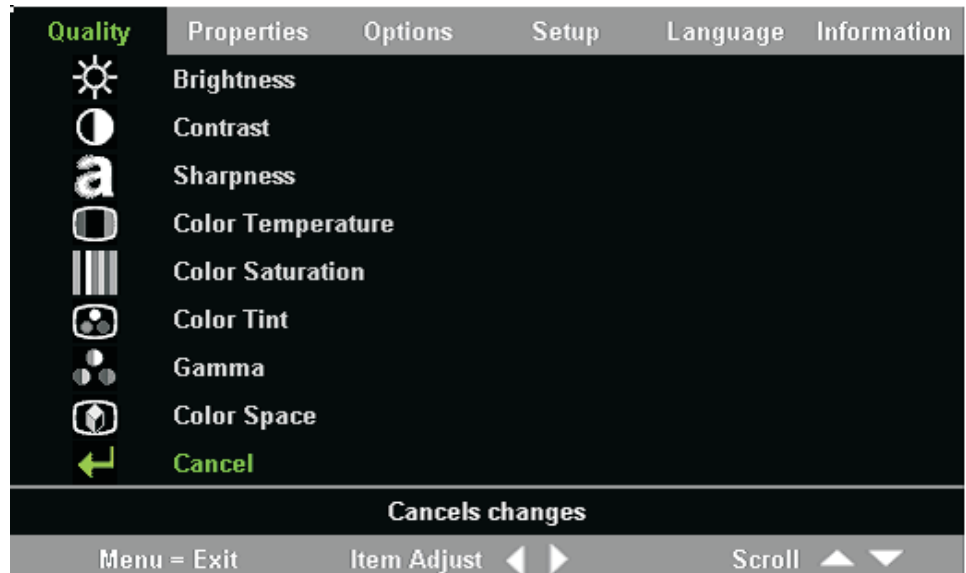


Quality menu

The Quality menu can be found through the main menu. To access the Quality menu, follow these steps:

1. Press the **Menu** button to open the main menu.

2. Press the cursor **left/right** button to move to the Quality menu.
3. Press the cursor **up/down** button to move up and down in the Quality menu.
The Quality menu is shown below.



The following table shows the options that you will see in the Quality menu and the default.

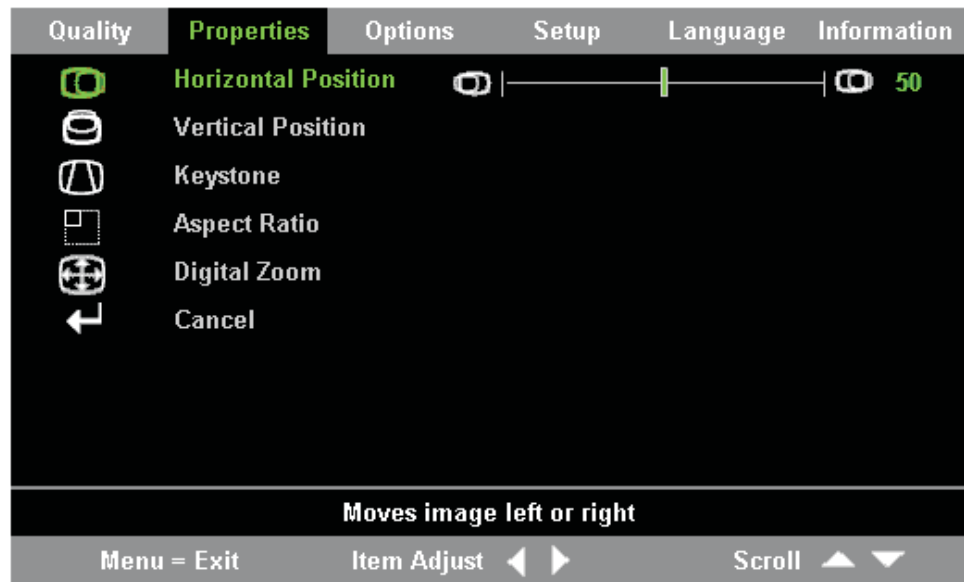
Item	Description	Default
Brightness	Press the cursor left/right button to adjust the brightness. Range: 0 to 100	50
Contrast	Press the cursor left/right button to adjust the contrast. Range: 0 to 100	50
Sharpness	Press the cursor left/right button to adjust the display sharpness. Range: 1 to 5	3
Color Temperature	Press the cursor left/right button to adjust the video tint/hue. Range: Cool/Normal/Warm	Normal
Color Saturation Note: Adjustments for this item are only available with Composite Video and S-Video connections.	Press the cursor left/right button to adjust the video saturation. Range: 0 to 100	50
Color Tint Note: Adjustments for this item are only available with Composite Video and S-Video connections.	Press the cursor left/right button to adjust the video tint/hue. Range: 0 to 100	50

Item	Description	Default
Gamma	Press the cursor left/right button to adjust the gamma correction of the display. Input/Gamma/Brightness: PC/MAC/High/Video/Chart/B&W	PC
Color Space	Press the cursor left/right button to adjust the color space. Range: Auto/RGB/YpbPr/YCbCr	Auto
Cancel	Press the Enter button to reset Brightness, Contrast, Sharpness, Color Temperature, Color Saturation, Color Tint, Gamma, and Color Space to default values.	Not applicable

Properties menu

The Properties menu can be found through the main menu. To access the Properties menu, follow these steps:

1. Press the **Menu** button to open the main menu.
2. Press the cursor **left/right** button to move to the Properties menu.
3. Press the cursor **up/down** button to move up and down in the Properties menu. The Properties menu is shown below.



The following table shows the options that you will see in the Properties menu and the default.

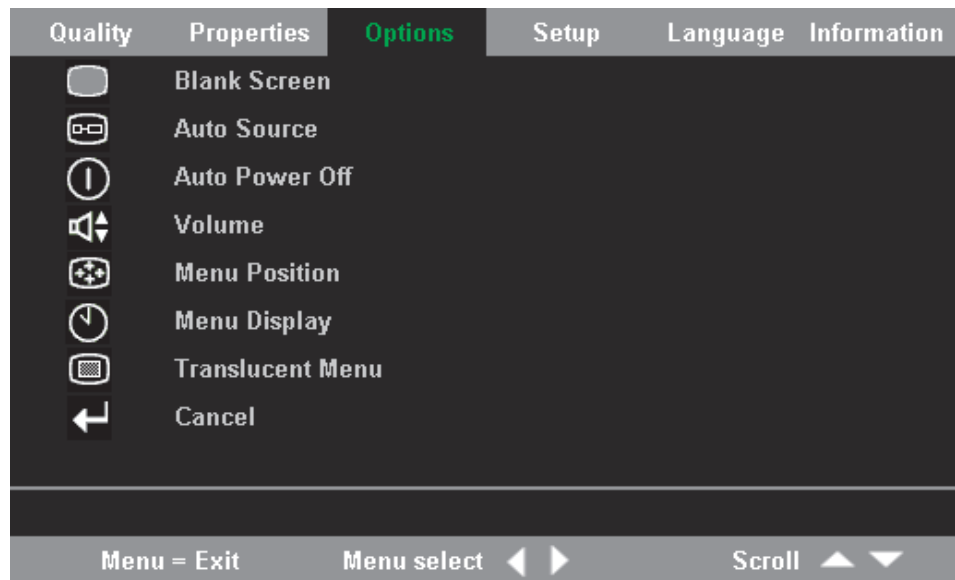
Item	Description	Default
Horizontal position	Press the cursor left/right button to move the image left or right. Range: 0 to 100	50

Item	Description	Default
Vertical position	Press the cursor left/right button to move the image up or down. Range: 0 to 100	50
Keystone	Press the cursor left/right button to correct distortion of the projected image. Range: -50 to 50	0
Aspect Ratio	Press the cursor left/right button to toggle between the 4:3 standard format and 16:9 high Definition TV (HDTV) format. Range: 4.3/16.9	4:3
Digital Zoom	Press the Enter button to increase or reduce image size	Not applicable
Cancel	Press the Enter button to reset Aspect ratio and Digital Zoom to default values.	Not applicable

Options menu

To access the Options menu, follow the steps below:

1. Press the **Menu** button to open the main menu
2. Press the cursor **left/right** button to move to the Options menu.
3. Press the cursor **up/down** button to move up and down within the Options menu. The Options menu is shown below.



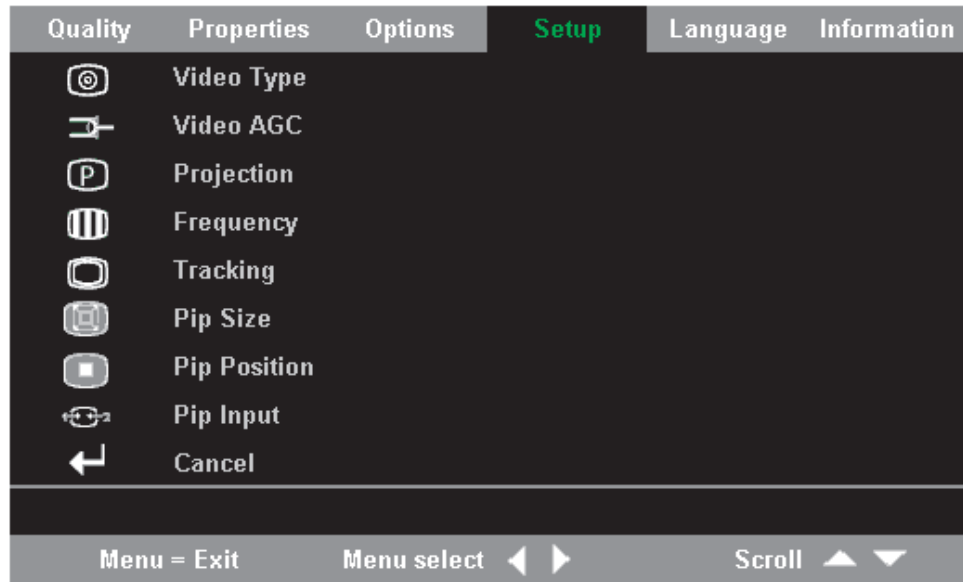
The following table shows the options that you will see in the Options menu and the default.

Item	Description	Default
Blank Screen	Press the cursor left/right button to select a background color for blank screen. Range: Black/Red/Green/Blue/White	Blue
Auto Source	Press the cursor left/right button to enable or disable automatic source detection. Range: On/Off	On
Auto Power Off	Press the cursor left/right button to disable automatic shutdown of lamp after 10 minutes of inactivity. Range: On/Off	Off
Volume	Press the cursor left/right button to adjust the audio volume. Range: 0 - 8	4
Menu Position	Press the cursor left/right button to position the OSD on screen. Range: Left/Right/Center/Down/Up	Center
Menu Display	Press the cursor left/right button to determine timeout delay of OSD. Range: 10-30 seconds	15 seconds
Translucent Menu	Press the cursor up/down button to set menu screen translucency. Range: On/Off	Off
Cancel	Resets Auto Power-Off, Volume, Menu Position, Menu Display, and Translucent Menu to default values.	Not applicable

Setup menu

To access the Setup menu, follow the steps below:

1. Press the **Menu** button to open the main menu.
2. Press the **left/right** cursor to move to the Setup menu.
3. Press the cursor **up/down** button to move up and down in the Setup menu.
The Setup menu with a single input and the Setup menu with a dual input are shown below:



The following table shows the options that you will see in the Setup menu and the default.

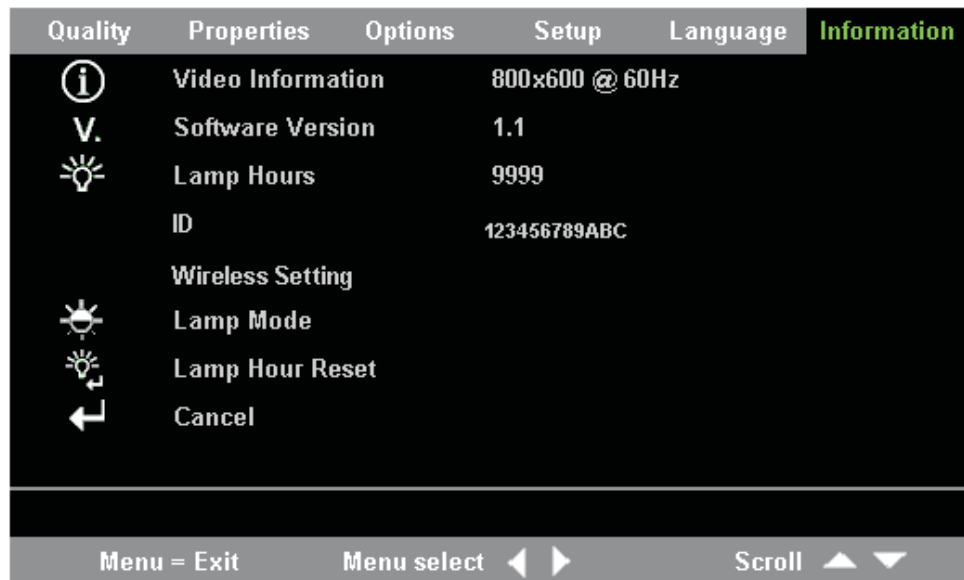
Item	Description	Default
Video type Note: Adjustments for this item are only available with Composite Video and S-Video connections.	Press the cursor right/left button to select the Video standard. Range: Auto/NTSC/PAL/SECAM	Auto
Video automatic gain control (AGC) Note: Adjustments for this item are only available with Composite Video and S-Video connections.	Press the cursor right/left button to enable or disable AGC for video source. Range: On/Off	On
Projection	Press the cursor left/right button to select from four projection methods. Range: Desktop mount, front of screen Desktop mount, rear of screen Ceiling mount, front of screen Ceiling mount, rear of screen	Desktop mount, front of screen
Frequency	Press the cursor left/right button to adjust the A/D sampling clock. Range: 0-100	Auto detected
Tracking	Press the cursor left/right button to adjust the A/D sampling number. Range: 0-100	Auto detected

Item	Description	Default
Pip Size	Press the cursor left/right button to adjust the secondary image size. Note: Pip Size is only available when the projector is connected to dual input sources. Range: Off/Small/Medium/Large	Off
Pip Position	Press the cursor left/right button to adjust the secondary image location. Note: Pip Position is only available when the projector is connected to dual input sources. Range: Upper left to lower right	Upper Left
Pip Input	Press the cursor left/right button to adjust the secondary image source. Note: Pip Input is only available when the projector is connected to dual input sources. Range: Auto/Video/S-video	Auto
Cancel	Resets Video Type, Video AGC, and Projection to default values.	N/A

Information settings menu

To access the Information settings menu, follow the steps below:

1. Press the **Menu** button to open the main menu.
2. Press the cursor **left/right** button to move to the Information settings menu.
3. Press the cursor **up/down** button to move up and down in the Information settings menu. The Information settings menu is shown below.

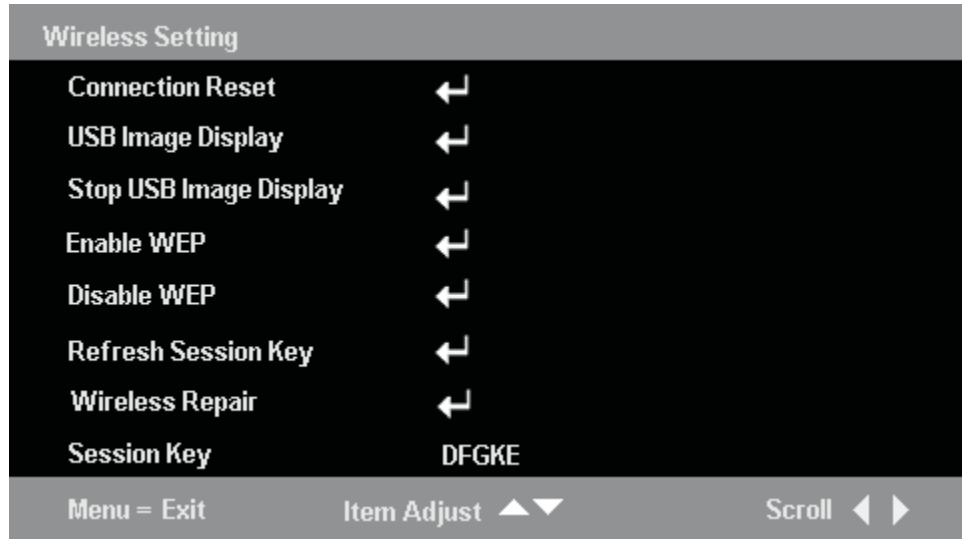


The following table shows the options that you will see in the Information Settings menu.

Item	Description
Video Information	Displays the resolution and refresh rate of the connected video device.
Software Version	Displays information about the firmware version information.
Lamp Hours	Displays lamp hours used information.
ID	Displays ID information
Wireless Settings	Displays Wireless Settings information. For more information, go to "Projector Wireless Configuration."
Lamp Mode	Toggles between Normal and ECO lamp modes. ECO mode uses less power but decreases the lamp brightness.
Lamp Hour Reset	Reset this item after replacing the lamp. For more information, refer to "Replacing the projector lamp" on page 5-1.
Cancel	Resets Lamp Mode to the default setting.

Projector wireless configuration

You can configure a wireless projector with OSD menu. C400 wireless OSD menu also includes some special items such as Showing Projector's ID Number, Connecting Reset, Wireless Repair, USB Image Display, Stop USB Image Display, Enable WEP, Disable WEP, Refresh Session Key and Showing Session Key.



Item	Description
Connection Reset	Disconnects any existing current wireless projecting session.
USB image display	To allow the display of images from a USB memory key.
Stop USB image display	To stop USB image display.

Item	Description
Enable WEP	To enable WEP encryption when WEP is disabled. When it is selected, the prompt "This will disconnect current wireless projecting session." The new setting will take effect in 10 seconds. Continue?" will appear. If select "Yes", any existing wireless projecting session or USB image display will be terminated immediately. When the projector is WEP-enabled, the session key will be shown at the bottom right corner of the projection screen display, you must input the new session key while starting a wireless projecting or retrieving the status of the projector.
Disable WEP	To disable WEP encryption when WEP is enabled. When it is selected, the prompt "This will disconnect current wireless projecting session." The new setting will take effect in 10 seconds. Continue?" will appear. If select "Yes", any existing wireless projecting session or USB image display will be terminated immediately. When the projector is WEP-disabled and there is no session key shown at the bottom right corner of the projection screen display, you can start a wireless projecting or retrieve the status of the projector without any session key.
Refresh Session Key Note: This option will only be available if WEP is enabled.	Replaces the Session key with a new random session key. When it is selected, the prompt "This will disconnect current wireless projecting session." The new setting will take effect in 10 seconds. Continue?" will appear. If select "Yes", any existing wireless projecting session or USB image display will be terminated immediately. When the session key is changed the input is shown at the bottom right corner of the projection screen display. You must input the new session key while starting a wireless projecting or retrieving the status of the projector.
Wireless Repair	When this is selected, the prompt "This will restart the wireless Card. The new setting will take effect in 40 seconds. Continue?" will appear. If select "Yes", any existing wireless projecting session or USB image display will be terminated immediately.
Session Key	Shows the current session key. It is visible only when WEP is enabled. The session key will be updated when you enable WEP, refresh Session Key, select wireless repair or power on.

Appendix A. Troubleshooting

The guidelines below provide tips to deal with problems you may encounter while using the projector. If the problem remains unsolved, contact your dealer for assistance.

Common problems and solutions

Check the following before proceeding to the problem-specific solutions.

- Use a different electrical device in the electrical outlet to confirm that the outlet is working.
- Ensure that the projector is turned on.
- Ensure all connections are securely attached.
- Ensure the attached device is turned on.
- Ensure a connected PC is not in suspend mode.
- Ensure a connected notebook computer is configured for an external display. This is usually done by pressing an Fn-key combination on the notebook.

Tips for troubleshooting

In each problem-specific section, try the steps in the order suggested. This may help you to solve the problem faster.

Try to pinpoint the problem and thus avoid replacing non-defective parts. For example, if you replace batteries and the problem remains, put the original batteries back and go to the next step.

Keep a record of the steps you take when troubleshooting: The information may be useful when calling for technical support or for passing on to service personnel.

Troubleshooting information

The following table provides troubleshooting information for the projector. In some cases, more than one possible solution is provided. Try the solutions in the order they are presented. When the problem is solved, you can skip the additional solutions.

Table A-1. Troubleshooting

Problem	Solution
No image appears on the screen.	<ul style="list-style-type: none">• Make sure your computer and projector are turned on.• Verify the settings on your notebook or desktop PC.• Turn off all equipment and power up again in the correct order.

Table A-1. Troubleshooting (continued)

Problem	Solution
The image is blurred.	<ul style="list-style-type: none"> • Adjust the Focus on the projector. • Press the Re-Sync button on the remote control or the projector. • Ensure the projector-to-screen distance is within the range specified. • Check that the projector lens is clean. • Make sure the output resolution from the PC is 1024 x 768, the native resolution of the projector.
The image is wider at the top or bottom (trapezoid effect).	<ul style="list-style-type: none"> • Position the projector so it is as perpendicular to the screen as possible. • Use the Keystone button on the remote control or projector to correct the problem.
The image is reversed or upside down.	Check the Projection setting on the Setup menu of the OSD.
The image is streaked.	<ul style="list-style-type: none"> • Set the Frequency and Tracking settings on the Setup menu of the OSD to the default settings. • To ensure the problem is not caused by a connected PC's video card, connect to another computer.
The image is flat with no contrast.	Adjust the Contrast setting on the Quality menu of the OSD.
The color of the projected image does not match the source image.	Adjust the Color Temp. and Gamma settings on the Quality menu of the OSD.
There is no light from the projector.	<ul style="list-style-type: none"> • Check that the power cable is securely connected. • Ensure the power source is good by testing with another electrical device. • Restart the projector in the correct order and check that the Power LED is green. • If you have replaced the lamp recently, try resetting the lamp connections. Make sure the lamp cover is flush with the projector case when closed. • Replace the lamp module. "Replacing the projector lamp" on page 5-1. • Put the old lamp back in the projector and have the projector serviced.
The lamp goes off.	<ul style="list-style-type: none"> • Power surges can cause the lamp to turn off. Press the Power button twice to turn off the projector. When the Lamp Ready LED is on, press the Power button. • Replace with a new lamp module. "Replacing the projector lamp" on page 5-1. • Put the old lamp back in the projector and have the projector serviced.

Table A-1. Troubleshooting (continued)

Problem	Solution
The projector does not respond to the remote control.	<ul style="list-style-type: none"> • Direct the remote control towards the remote sensor on the projector. • Ensure the path between remote and sensor is not obstructed. • Turn off any fluorescent lights in the room. • Check the battery orientation. • Replace the batteries. • Turn off other Infrared-enabled devices in the vicinity. • Have the remote control serviced.
There is no sound.	<ul style="list-style-type: none"> • Adjust the volume on the remote control. • Adjust the volume of the audio source. • Check the audio cable connection. • Test the source audio output with other speakers. • Have the projector serviced.
The sound is distorted.	<ul style="list-style-type: none"> • Check the audio cable connection. • Test the source audio output with other speakers. • Have the projector serviced.

Projector LEDs

The LED on top of the projector indicates the state of the projector and can help you troubleshoot. There are two-second pauses between the blinking cycles. For more details on LED projector errors, contact your Lenovo representative.

Table A-2. Lamp-ready LED error messages

Lamp-ready LED number of flashes	Explanation
Flashing	Ready- do not press the power button.
1	Front cover fan error
2	Lamp fan error
3	Power board fan error
4	Blower fan error
5	Ballast fan error

Table A-3. Power LED error messages

Power LED number of flashes	Explanation
3	System overheating
4	System interface error
5	Lamp error
6	Fan error. Refer to Lamp-ready LED to determine which fan.
7	Lamp cover open
8	DLP driver error.

Appendix B. Frequently asked questions (FAQ's)

The table below provide solutions for common issues that a user may encounter while using the projector.

Item	Solution
Starting a wireless projecting session quickly	After launching wireless projecting software, right-click the projector in the list, and select Bind . Now you can start a projection with the hotkey (Ctrl+F5). During wireless projection, you can end the projection with the hotkey (Ctrl+F5).
Enabling/Disabling WEP	Select Menu on the control panel of the projector or remote controller, then click Information → Wireless Setting → Enable WEP/Disable WEP in the OSD menu. When the prompt "This will disconnect current wireless projecting session.The new setting will take effect in 10 seconds. Continue?" appears, select Yes .
Playing videos (for example a DVD)	Please select the wired mode to play videos, since video is not supported in wireless mode.
Switching between wired and wireless projecting mode	Select the Source button on the panel of the projector or remote controller to switch from one image source to another, including the wireless and wired sources.When the current projecting mode is a wired one, selecting the Wireless button once on the remote controller will switch to the wireless mode. When the current projecting mode is wireless, selecting Wireless will end current wireless projecting session.
If you are unable to browse the Internet after a wireless projection	Select Repair in Windows XP or re-insert the WLAN adapter, then try again. If it still does not work, please restart the laptop.
Remote controller acting as a mouse	During the wireless projection, the cursor pad on the remote controller can act as the mouse on the laptop. The PgUp and PgDn keys on the remote controller also take effect.
USB image display	This function enables you to automatically or manually display images (JPG, BMP, GIF, PCX, and PNG, except the animate feature of GIF89a) stored in a USB memory device connected to the projector via the USB input. Therefore, you can view a PowerPoint [®] (PPT) presentation without using a computer. Native (PPT) format is not supported in this mode. To use this function, please save the (PPT) file format as the GIF or JPG format. Then the images can be displayed. Note: You can display standard image file formats (JPG, BMP, GIF, PCX, and PNG) using a USB memory device without a laptop. If you want to display a (PPT) file, you must convert it into GIF or JPG files.)

Item	Solution
Finding a projector's ID and Session Key	When the wireless projector is idle, its ID is shown at the bottom left corner of the projection screen. For a WEP-enabled projector, the Session Key will also be shown.
Wireless projecting software not launching correctly	Make sure that the current user has Administrator's privileges, and that Lenovo WDLP Driver item in My Computer → Property → Hardware → Device Management is enabled. Then re-install the program.
If the prompt No WLAN adapter appears in the projector list window	Confirm that the WLAN adapter is in the laptop and its drivers are installed. Make sure that WLAN adapter item in My Computer → Property → Hardware → Device Management Wireless adapter is enabled.
If the ID of a projector <u>does not appear</u> after refreshing several times	Make sure that the antenna of the laptop's WLAN adapter is turned on and try again. Remove and then re-insert the WLAN adapter, repair or disable it, then re-enable. Select Information → Wireless Setting → Wireless Repair in the OSD menu. Try to refresh again after the ID of the projector appears on the bottom left corner of the projection screen.
If wireless projecting fails	Firewall software can interfere with the performance of the wireless projector. Try disabling any firewall software. Make sure that there is no network routing software which may change the network configuration and try again. Repair the WLAN adapter by re-inserting, or enable/disable it and try again.
Projected image takes more than 30 seconds to refresh	Strong radio interference can interrupt the operation of the projector. Typically it will recover within 30-60 seconds.
Cannot connect to the Internet while projecting wirelessly	Wireless projection uses a wireless adapter card (WLAN) in your laptop computer. Therefore, you cannot connect to the Internet unless you have a second wireless adapter, or you have a wired connection.
During a wireless projection session the WLAN adapter is unplugged or disabled, but the projector screen maintains the last image for several seconds	Due to the possibility of unreliable networks, the projector takes some time to realize that the WLAN adapter in the laptop has been disabled. The projector will wait for about 30 seconds before ending projection. You can quit the wireless projection immediately by selecting the Wireless button on the remote controller.

Appendix C. Specifications

Following are specifications for the C400 Wireless Projector.

Temperature (non-operating)	5° to 35° C (41° to 95° F) at sea level -10° to 60° C (14° to 140° F)
Altitude (operating)	3,048 m (0 to 10,000 ft)
Altitude (non-operating)	12,192 m (0 to 40,000 ft)
Humidity (operating)	5% to 90% relative humidity, non-condensing
Humidity (non-operating)	5% to 95% relative humidity, non-condensing
Dimensions	Width: 290 mm (11.4 in.) Height: 115 mm (4.5 in.) Depth: 225 mm (8.8 in.)
Weight	3.4 kg (7.5 lbs) unpacked
Optics (focus range)	1.2 - 9.4 m (4 to 31 ft)
Lamp type	250 W lamp
Input power requirements	100-240V 1.8A 50/60 Hz

Appendix D. Service and Support

The following information describes the technical support that is available for your product, during the warranty period or throughout the life of the product. Refer to your Lenovo Statement of Limited Warranty for a full explanation of Lenovo warranty terms.

Online technical support

Online technical support is available during the life of your product through the Personal Computing Support Web site at <http://www.lenovo.com/think/support>.

During the warranty period, assistance for replacement or exchange of defective components is available. In addition, if your option is installed in a ThinkPad or ThinkCentre computer, you might be entitled to service at your location. Your technical support representative can help you determine the best alternative.

Telephone technical support

Installation and configuration support through the Customer Support Center will be withdrawn or made available for a fee, at Lenovo's discretion, 90 days after the option has been withdrawn from marketing. Additional support offerings, including step-by-step installation assistance, are available for a nominal fee.

To assist the technical support representative, have available as much of the following information as possible:

- Option name
- Option number
- Proof of purchase
- Computer manufacturer, model, serial number, and manual
- Exact wording of the error message (if any)
- Description of the problem
- Hardware and software configuration information for your system

If possible, be at your computer. Your technical support representative might want to walk you through the problem during the call.

For a list of Service and Support phone numbers, see "Worldwide telephone list" on page E-17. Phone numbers are subject to change without notice. For the most current phone numbers, go to <http://www.lenovo.com/think/support> and click **Support phone list**. If the number for your country or region is not listed, contact your reseller or Lenovo marketing representative.

Appendix E. Lenovo Statement of Limited Warranty LSOLW-00 05/2005

Part 1 - General Terms

*This Statement of Limited Warranty includes Part 1 - General Terms, Part 2 - Country-unique Terms, and Part 3 - Warranty Information. The terms of Part 2 replace or modify those of Part 1. The warranties provided by Lenovo Group Limited or one of its subsidiaries (called "Lenovo") in this Statement of Limited Warranty apply only to Machines you purchase for your use, and not for resale. The term "Machine" means a Lenovo machine, its options, features, conversions, upgrades or peripheral products, or any combination of them. The term "Machine" does not include any software programs, whether pre-loaded with the Machine, installed subsequently or otherwise. **Nothing in this Statement of Limited Warranty affects any statutory rights of consumers that cannot be waived or limited by contract.***

What this Warranty Covers

Lenovo warrants that each Machine 1) is free from defects in materials and workmanship and 2) conforms to Lenovo's Official Published Specifications ("Specifications") which are available on request. The warranty period for the Machine starts on the original date of installation and is specified in Part 3 - Warranty Information. The date on your invoice or sales receipt is the date of installation unless Lenovo or your reseller informs you otherwise. Unless Lenovo specifies otherwise, these warranties apply only in the country or region in which you purchased the Machine.

THESE WARRANTIES ARE YOUR EXCLUSIVE WARRANTIES AND REPLACE ALL OTHER WARRANTIES OR CONDITIONS, EXPRESS OR IMPLIED, INCLUDING, BUT NOT LIMITED TO, THE IMPLIED WARRANTIES OR CONDITIONS OF MERCHANTABILITY AND FITNESS FOR A PARTICULAR PURPOSE. SOME STATES OR JURISDICTIONS DO NOT ALLOW THE EXCLUSION OF EXPRESS OR IMPLIED WARRANTIES, SO THE ABOVE EXCLUSION MAY NOT APPLY TO YOU. IN THAT EVENT, SUCH WARRANTIES ARE LIMITED IN DURATION TO THE WARRANTY PERIOD. NO WARRANTIES APPLY AFTER THAT PERIOD. SOME STATES OR JURISDICTIONS DO NOT ALLOW LIMITATIONS ON HOW LONG AN IMPLIED WARRANTY LASTS, SO THE ABOVE LIMITATION MAY NOT APPLY TO YOU.

What this Warranty Does not Cover

This warranty does not cover the following:

- any software programs, whether pre-loaded or shipped with the Machine, or installed subsequently;
- failure resulting from misuse, accident, modification, unsuitable physical or operating environment, or improper maintenance by you;
- failure caused by a product for which Lenovo is not responsible; and
- any non-Lenovo products, including those that Lenovo may procure and provide with or integrate into a Lenovo Machine at your request.

The warranty is voided by removal or alteration of identification labels on the Machine or its parts.

Lenovo does not warrant uninterrupted or error-free operation of a Machine.

Any technical or other support provided for a Machine under warranty, such as assistance with "how-to" questions and those regarding Machine set-up and installation, is provided **WITHOUT WARRANTIES OF ANY KIND**.

How to Obtain Warranty Service

Warranty service may be provided by Lenovo, IBM, your reseller if authorized to perform warranty service, or an authorized warranty service provider. Each of them is referred to as a "Service Provider."

If the Machine does not function as warranted during the warranty period, contact a Service Provider. If you do not register the Machine with Lenovo, you may be required to present proof of purchase as evidence of your entitlement to warranty service.

What Lenovo Will Do to Correct Problems

When you contact a Service Provider for service, you must follow the problem determination and resolution procedures that we specify. An initial diagnosis of your problem can be made either by a technician over the telephone or electronically by access to a support website.

The type of warranty service applicable to your Machine is specified in Part 3 - Warranty Information.

You are responsible for downloading and installing designated software updates from a support web site or from other electronic media, and following the instructions that your Service Provider provides. Software updates may include basic input/output system code (called "BIOS"), utility programs, device drivers, and other software updates.

If your problem can be resolved with a Customer Replaceable Unit ("CRU") (e.g., keyboard, mouse, speaker, memory, hard disk drive), your Service Provider will ship the CRU to you for you to install.

If the Machine does not function as warranted during the warranty period and your problem cannot be resolved over the telephone or electronically, through your application of software updates, or with a CRU, your Service Provider, will either, at its discretion, 1) repair it to make it function as warranted, or 2) replace it with one that is at least functionally equivalent. If your Service Provider is unable to do either, you may return the Machine to your place of purchase and your money will be refunded.

As part of the warranty service, your Service Provider may also install selected engineering changes that apply to the Machine.

Exchange of a Machine or Part

When the warranty service involves the exchange of a Machine or part, the item your Service Provider replaces becomes Lenovo's property and the replacement becomes yours. You represent that all removed items are genuine and unaltered. The replacement may not be new, but will be in good working order and at least functionally equivalent to the item replaced. The replacement assumes the warranty service status of the replaced item.

Your Additional Responsibilities

Before your Service Provider exchanges a Machine or part, you agree to remove all features, parts, options, alterations, and attachments not under warranty service.

You also agree to:

1. ensure that the Machine is free of any legal obligations or restrictions that prevent its exchange;
2. obtain authorization from the owner to have your Service Provider service a Machine that you do not own; and
3. where applicable, before service is provided:
 - a. follow the service request procedures that your Service Provider provides;
 - b. backup or secure all programs, data, and funds contained in the Machine; and
 - c. provide your Service Provider with sufficient, free, and safe access to your facilities to permit Lenovo to fulfill its obligations.
4. (a) ensure all information about identified or identifiable individuals (Personal Data) is deleted from the Machine (to the extent technically possible), (b) allow your Service Provider or a supplier to process on your behalf any remaining Personal Data as your Service Provider considers necessary to fulfill its obligations under this Statement of Limited Warranty (which may include shipping the Machine for such processing to other service locations around the world), and (c) ensure that such processing complies with any laws applicable to such Personal Data.

Limitation of Liability

Lenovo is responsible for loss of, or damage to, your Machine only while it is 1) in your Service Provider's possession or 2) in transit in those cases where Lenovo is responsible for the transportation charges.

Neither Lenovo nor your Service Provider are responsible for any of your confidential, proprietary or personal information contained in a Machine which you return for any reason. You should remove all such information from the Machine prior to its return.

Circumstances may arise where, because of a default on Lenovo's part or other liability, you are entitled to recover damages from Lenovo. In each such instance, regardless of the basis on which you are entitled to claim damages from Lenovo (including fundamental breach, negligence, misrepresentation, or other contract or tort claim), except for any liability that cannot be waived or limited by applicable laws, Lenovo is liable for no more than

1. damages for bodily injury (including death) and damage to real property and tangible personal property for which Lenovo is legally liable; and
2. the amount of any other actual direct damages, up to the charges for the Machine that is subject of the claim.

This limit also applies to Lenovo's suppliers, resellers and your Service Provider. It is the maximum for which Lenovo, its suppliers, resellers, and your Service Provider are collectively responsible.

UNDER NO CIRCUMSTANCES IS LENOVO, ITS SUPPLIERS, RESELLERS OR SERVICE PROVIDERS LIABLE FOR ANY OF THE FOLLOWING EVEN IF INFORMED OF THEIR POSSIBILITY: 1) THIRD PARTY CLAIMS AGAINST YOU FOR DAMAGES (OTHER THAN THOSE UNDER THE FIRST ITEM LISTED ABOVE); 2) LOSS OF, OR DAMAGE TO, DATA; 3) SPECIAL, INCIDENTAL, OR INDIRECT DAMAGES OR FOR ANY ECONOMIC CONSEQUENTIAL DAMAGES; OR 4) LOST PROFITS, BUSINESS REVENUE, GOODWILL OR ANTICIPATED SAVINGS. SOME STATES OR JURISDICTIONS DO NOT ALLOW THE EXCLUSION OR LIMITATION OF INCIDENTAL OR CONSEQUENTIAL DAMAGES, SO THE ABOVE LIMITATION OR EXCLUSION MAY NOT APPLY TO YOU.

Governing Law

Both you and Lenovo consent to the application of the laws of the country in which you acquired the Machine to govern, interpret, and enforce all of your and Lenovo's rights, duties, and obligations arising from, or relating in any manner to, the subject matter of this Statement of Limited Warranty, without regard to conflict of law principles.

THESE WARRANTIES GIVE YOU SPECIFIC LEGAL RIGHTS AND YOU MAY ALSO HAVE OTHER RIGHTS WHICH VARY FROM STATE TO STATE OR JURISDICTION TO JURISDICTION.

Jurisdiction

All of our rights, duties, and obligations are subject to the courts of the country in which you acquired the Machine.

Part 2 - Country-unique Terms

AMERICAS

ARGENTINA

Jurisdiction: *The following is added after the first sentence:*

Any litigation arising from this Statement of Limited Warranty will be settled exclusively by the Ordinary Commercial Court of the city of Buenos Aires.

BOLIVIA

Jurisdiction: *The following is added after the first sentence:*

Any litigation arising from this Statement of Limited Warranty will be settled exclusively by the courts of the city of La Paz.

BRAZIL

Jurisdiction: *The following is added after the first sentence:*

Any litigation arising from this Statement of Limited Warranty will be settled exclusively by the court of Rio de Janeiro, RJ.

CHILE

Jurisdiction: *The following is added after the first sentence:*

Any litigation arising from this Statement of Limited Warranty will be settled exclusively by the Civil Courts of Justice of Santiago.

COLOMBIA

Jurisdiction: *The following is added after the first sentence:*

Any litigation arising from this Statement of Limited Warranty will be settled exclusively by the Judges of the Republic of Colombia.

ECUADOR

Jurisdiction: *The following is added after the first sentence:*

Any litigation arising from this Statement of Limited Warranty will be settled exclusively by the Judges of Quito.

MEXICO

Jurisdiction: *The following is added after the first sentence:*

Any litigation arising from this Statement of Limited Warranty will be settled exclusively by the Federal Courts of Mexico City, Federal District.

PARAGUAY

Jurisdiction: *The following is added after the first sentence:*

Any litigation arising from this Statement of Limited Warranty will be settled exclusively by the courts of the city of Asuncion.

PERU

Jurisdiction: *The following is added after the first sentence:*

Any litigation arising from this Statement of Limited Warranty will be settled exclusively by the Judges and Tribunals of the Judicial District of Lima, Cercado.

Limitation of Liability: *The following is added at the end of this section:*

In accordance with Article 1328 of the Peruvian Civil Code the limitations and exclusions specified in this section will not apply to damages caused by Lenovo's willful misconduct ("dolo") or gross negligence ("culpa inexcusable").

URUGUAY

Jurisdiction: *The following is added after the first sentence:*

Any litigation arising from this Statement of Limited Warranty will be settled exclusively by the City of Montevideo Court's Jurisdiction.

VENEZUELA

Jurisdiction: *The following is added after the first sentence:*

Any litigation arising from this Statement of Limited Warranty will be settled exclusively by the Courts of the Metropolitan Area Of the City of Caracas.

NORTH AMERICA

How to Obtain Warranty Service: *The following is added to this Section:*

To obtain warranty service from IBM service in Canada or the United States, call 1-800-IBM-SERV (426-7378).

CANADA

Limitation of Liability: *The following replaces item 1 of this section:*

1. damages for bodily injury (including death) or physical harm to real property and tangible personal property caused by Lenovo's negligence; and

Governing Law: *The following replaces "laws of the country in which you acquired the Machine" in the first sentence:*

laws in the Province of Ontario.

UNITED STATES

Governing Law: *The following replaces "laws of the country in which you acquired the Machine" in the first sentence:*

laws of the State of New York.

ASIA PACIFIC

AUSTRALIA

What this Warranty Covers: *The following paragraph is added to this section:*

The warranties specified in this Section are in addition to any rights you may have under the Trade Practices Act 1974 or other similar legislation and are only limited to the extent permitted by the applicable legislation.

Limitation of Liability: *The following is added to this section:*

Where Lenovo is in breach of a condition or warranty implied by the Trade Practices Act 1974 or other similar legislation, Lenovo's liability is limited to the repair or replacement of the goods or the supply of equivalent goods. Where that condition or warranty relates to right to sell, quiet possession or clear title, or the

goods are of a kind ordinarily acquired for personal, domestic or household use or consumption, then none of the limitations in this paragraph apply.

Governing Law: *The following replaces "laws of the country in which you acquired the Machine" in the first sentence:*
laws of the State or Territory.

CAMBODIA AND LAOS

Governing Law: *The following replaces "laws of the country in which you acquired the Machine" in the first sentence:*
laws of the State of New York, United States of America.

CAMBODIA, INDONESIA, AND LAOS

Arbitration: *The following is added under this heading:*

Disputes arising out of or in connection with this Statement of Limited Warranty shall be finally settled by arbitration which shall be held in Singapore in accordance with the Arbitration Rules of Singapore International Arbitration Center ("SIAC Rules") then in effect. The arbitration award shall be final and binding for the parties without appeal and shall be in writing and set forth the findings of fact and the conclusions of law.

The number of arbitrators shall be three, with each side to the dispute being entitled to appoint one arbitrator. The two arbitrators appointed by the parties shall appoint a third arbitrator who shall act as chairman of the proceedings. Vacancies in the post of chairman shall be filled by the president of the SIAC. Other vacancies shall be filled by the respective nominating party. Proceedings shall continue from the stage they were at when the vacancy occurred.

If one of the parties refuses or otherwise fails to appoint an arbitrator within 30 days of the date the other party appoints its, the first appointed arbitrator shall be the sole arbitrator, provided that the arbitrator was validly and properly appointed.

All proceedings shall be conducted, including all documents presented in such proceedings, in the English language. The English language version of this Statement of Limited Warranty prevails over any other language version.

HONG KONG S.A.R. OF CHINA AND MACAU S.A.R. OF CHINA

Governing Law: *The following replaces "laws of the country in which you acquired the Machine" in the first sentence:*
laws of Hong Kong Special Administrative Region of China.

INDIA

Limitation of Liability: *The following replaces items 1 and 2 of this section:*

1. liability for bodily injury (including death) or damage to real property and tangible personal property will be limited to that caused by Lenovo's negligence; and
2. as to any other actual damage arising in any situation involving nonperformance by Lenovo pursuant to, or in any way related to the subject of this Statement of Limited Warranty, the charge paid by you for the individual Machine that is the subject of the claim.

Arbitration: *The following is added under this heading*

Disputes arising out of or in connection with this Statement of Limited Warranty shall be finally settled by arbitration which shall be held in Bangalore, India in

accordance with the laws of India then in effect. The arbitration award shall be final and binding for the parties without appeal and shall be in writing and set forth the findings of fact and the conclusions of law.

The number of arbitrators shall be three, with each side to the dispute being entitled to appoint one arbitrator. The two arbitrators appointed by the parties shall appoint a third arbitrator who shall act as chairman of the proceedings. Vacancies in the post of chairman shall be filled by the president of the Bar Council of India. Other vacancies shall be filled by the respective nominating party. Proceedings shall continue from the stage they were at when the vacancy occurred.

If one of the parties refuses or otherwise fails to appoint an arbitrator within 30 days of the date the other party appoints its, the first appointed arbitrator shall be the sole arbitrator, provided that the arbitrator was validly and properly appointed.

All proceedings shall be conducted, including all documents presented in such proceedings, in the English language. The English language version of this Statement of Limited Warranty prevails over any other language version.

JAPAN

Governing Law: *The following sentence is added to this section:*

Any doubts concerning this Statement of Limited Warranty will be initially resolved between us in good faith and in accordance with the principle of mutual trust.

MALAYSIA

Limitation of Liability: The word "*SPECIAL*" in item 3 of the fifth paragraph is deleted.

NEW ZEALAND

What this Warranty Covers: *The following paragraph is added to this section:*

The warranties specified in this section are in addition to any rights you may have under the Consumer Guarantees Act 1993 or other legislation which cannot be excluded or limited. The Consumer Guarantees Act 1993 will not apply in respect of any goods which Lenovo provides, if you require the goods for the purposes of a business as defined in that Act.

Limitation of Liability: *The following is added to this section:*

Where Machines are not acquired for the purposes of a business as defined in the Consumer Guarantees Act 1993, the limitations in this Section are subject to the limitations in that Act.

PEOPLE'S REPUBLIC OF CHINA (PRC)

Governing Law: *The following replaces "laws of the country in which you acquired the Machine" in the first sentence:*

laws of the State of New York, United States of America (except when local law requires otherwise).

PHILIPPINES

Limitation of Liability: *Item 3 in the fifth paragraph is replaced by the following:*

SPECIAL (INCLUDING NOMINAL AND EXEMPLARY DAMAGES), MORAL, INCIDENTAL, OR INDIRECT DAMAGES FOR ANY ECONOMIC CONSEQUENTIAL DAMAGES; OR

Arbitration: The following is added: under this heading Disputes arising out of or in connection with this Statement of Limited Warranty shall be finally settled by arbitration which shall be held in Metro Manila, Philippines in accordance with the laws of the Philippines then in effect. The arbitration award shall be final and binding for the parties without appeal and shall be in writing and set forth the findings of fact and the conclusions of law.

The number of arbitrators shall be three, with each side to the dispute being entitled to appoint one arbitrator. The two arbitrators appointed by the parties shall appoint a third arbitrator who shall act as chairman of the proceedings. Vacancies in the post of chairman shall be filled by the president of the Philippine Dispute Resolution Center, Inc.. Other vacancies shall be filled by the respective nominating party. Proceedings shall continue from the stage they were at when the vacancy occurred.

If one of the parties refuses or otherwise fails to appoint an arbitrator within 30 days of the date the other party appoints its, the first appointed arbitrator shall be the sole arbitrator, provided that the arbitrator was validly and properly appointed.

All proceedings shall be conducted, including all documents presented in such proceedings, in the English language. The English language version of this Statement of Limited Warranty prevails over any other language version.

SINGAPORE

Limitation of Liability: *The words "SPECIAL" and "ECONOMIC" in item 3 in the fifth paragraph are deleted.*

EUROPE, MIDDLE EAST, AFRICA (EMEA)

THE FOLLOWING TERMS APPLY TO ALL EMEA COUNTRIES:

The terms of this Statement of Limited Warranty apply to Machines purchased from Lenovo or a Lenovo reseller.

How to Obtain Warranty Service:

*Add the following paragraph in **Western Europe** (Andorra, Austria, Belgium, Cyprus, Czech Republic, Denmark, Estonia, Finland, France, Germany, Greece, Hungary, Iceland, Ireland, Italy, Latvia, Liechtenstein, Lithuania, Luxembourg, Malta, Monaco, Netherlands, Norway, Poland, Portugal, San Marino, Slovakia, Slovenia, Spain, Sweden, Switzerland, United Kingdom, Vatican State, and any country subsequently added to the European Union, as from the date of accession):*

The warranty for Machines acquired in Western Europe shall be valid and applicable in all Western Europe countries provided the Machines have been announced and made available in such countries.

If you purchase a Machine in one of the Western European countries, as defined above, you may obtain warranty service for that Machine in any of those countries from a Service Provider, provided the Machine has been announced and made available by Lenovo in the country in which you wish to obtain service.

If you purchased a Personal Computer Machine in Albania, Armenia, Belarus, Bosnia and Herzegovina, Bulgaria, Croatia, Czech Republic, Georgia, Hungary, Kazakhstan, Kyrgyzstan, Federal Republic of Yugoslavia, Former Yugoslav Republic of Macedonia (FYROM), Moldova, Poland, Romania, Russia, Slovak Republic, Slovenia, or Ukraine, you may obtain warranty service for that Machine

in any of those countries from a Service Provider, provided the Machine has been announced and made available by Lenovo in the country in which you wish to obtain service..

If you purchase a Machine in a Middle Eastern or African country, you may obtain warranty service for that Machine from a Service Provider within the country of purchase, provided the Machine has been announced and made available by Lenovo in that country. Warranty service in Africa is available within 50 kilometers of a Service Provider. You are responsible for transportation costs for Machines located outside 50 kilometers of a Service Provider.

Governing Law:

The phrase "the laws of the country in which you acquired the Machine" is replaced by:

1) "the laws of Austria" in **Albania, Armenia, Azerbaijan, Belarus, Bosnia-Herzegovina, Bulgaria, Croatia, Georgia, Hungary, Kazakhstan, Kyrgyzstan, FYR Macedonia, Moldova, Poland, Romania, Russia, Slovakia, Slovenia, Tajikistan, Turkmenistan, Ukraine, Uzbekistan, and FR Yugoslavia;** 2) "the laws of France" in **Algeria, Benin, Burkina Faso, Cameroon, Cape Verde, Central African Republic, Chad, Comoros, Congo Republic, Djibouti, Democratic Republic of Congo, Equatorial Guinea, French Guiana, French Polynesia, Gabon, Gambia, Guinea, Guinea-Bissau, Ivory Coast, Lebanon, Madagascar, Mali, Mauritania, Mauritius, Mayotte, Morocco, New Caledonia, Niger, Reunion, Senegal, Seychelles, Togo, Tunisia, Vanuatu, and Wallis & Futuna;** 3) "the laws of Finland" in **Estonia, Latvia, and Lithuania;** 4) "the laws of England" in **Angola, Bahrain, Botswana, Burundi, Egypt, Eritrea, Ethiopia, Ghana, Jordan, Kenya, Kuwait, Liberia, Malawi, Malta, Mozambique, Nigeria, Oman, Pakistan, Qatar, Rwanda, Sao Tome, Saudi Arabia, Sierra Leone, Somalia, Tanzania, Uganda, United Arab Emirates, the United Kingdom, West Bank/Gaza, Yemen, Zambia, and Zimbabwe;** and 5) "the laws of South Africa" in **South Africa, Namibia, Lesotho and Swaziland.**

Jurisdiction: *The following exceptions are added to this section:*

1) In **Austria** the choice of jurisdiction for all disputes arising out of this Statement of Limited Warranty and relating thereto, including its existence, will be the competent court of law in Vienna, Austria (Inner-City); 2) in **Angola, Bahrain, Botswana, Burundi, Egypt, Eritrea, Ethiopia, Ghana, Jordan, Kenya, Kuwait, Liberia, Malawi, Malta, Mozambique, Nigeria, Oman, Pakistan, Qatar, Rwanda, Sao Tome, Saudi Arabia, Sierra Leone, Somalia, Tanzania, Uganda, United Arab Emirates, West Bank/Gaza, Yemen, Zambia, and Zimbabwe** all disputes arising out of this Statement of Limited Warranty or related to its execution, including summary proceedings, will be submitted to the exclusive jurisdiction of the English courts; 3) in **Belgium and Luxembourg**, all disputes arising out of this Statement of Limited Warranty or related to its interpretation or its execution, the law, and the courts of the capital city, of the country of your registered office and/or commercial site location only are competent; 4) in **France, Algeria, Benin, Burkina Faso, Cameroon, Cape Verde, Central African Republic, Chad, Comoros, Congo Republic, Djibouti, Democratic Republic of Congo, Equatorial Guinea, French Guiana, French Polynesia, Gabon, Gambia, Guinea, Guinea-Bissau, Ivory Coast, Lebanon, Madagascar, Mali, Mauritania, Mauritius, Mayotte, Morocco, New Caledonia, Niger, Reunion, Senegal, Seychelles, Togo, Tunisia, Vanuatu, and Wallis & Futuna** all disputes arising out of this Statement of Limited Warranty or related to its violation or execution, including summary proceedings, will be settled exclusively by the Commercial Court of Paris; 5) in **Russia**, all disputes arising out of or in relation to the interpretation, the violation, the termination, the nullity of the execution of this Statement of Limited Warranty shall be settled by

Arbitration Court of Moscow; 6) **in South Africa, Namibia, Lesotho and Swaziland**, both of us agree to submit all disputes relating to this Statement of Limited Warranty to the jurisdiction of the High Court in Johannesburg; 7) **in Turkey** all disputes arising out of or in connection with this Statement of Limited Warranty shall be resolved by the Istanbul Central (Sultanahmet) Courts and Execution Directorates of Istanbul, the Republic of Turkey; 8) in each of the following specified countries, any legal claim arising out of this Statement of Limited Warranty will be brought before, and settled exclusively by, the competent court of a) Athens for **Greece**, b) Tel Aviv-Jaffa for **Israel**, c) Milan for **Italy**, d) Lisbon for **Portugal**, and e) Madrid for **Spain**; and 9) **in the United Kingdom**, both of us agree to submit all disputes relating to this Statement of Limited Warranty to the jurisdiction of the English courts.

Arbitration: *The following is added under this heading:*

In Albania, Armenia, Azerbaijan, Belarus, Bosnia-Herzegovina, Bulgaria, Croatia, Georgia, Hungary, Kazakhstan, Kyrgyzstan, FYR Macedonia, Moldova, Poland, Romania, Russia, Slovakia, Slovenia, Tajikistan, Turkmenistan, Ukraine, Uzbekistan, and FR Yugoslavia all disputes arising out of this Statement of Limited Warranty or related to its violation, termination or nullity will be finally settled under the Rules of Arbitration and Conciliation of the International Arbitral Center of the Federal Economic Chamber in Vienna (Vienna Rules) by three arbitrators appointed in accordance with these rules. The arbitration will be held in Vienna, Austria, and the official language of the proceedings will be English. The decision of the arbitrators will be final and binding upon both parties. Therefore, pursuant to paragraph 598 (2) of the Austrian Code of Civil Procedure, the parties expressly waive the application of paragraph 595 (1) figure 7 of the Code. Lenovo may, however, institute proceedings in a competent court in the country of installation.

In Estonia, Latvia and Lithuania all disputes arising in connection with this Statement of Limited Warranty will be finally settled in arbitration that will be held in Helsinki, Finland in accordance with the arbitration laws of Finland then in effect. Each party will appoint one arbitrator. The arbitrators will then jointly appoint the chairman. If arbitrators cannot agree on the chairman, then the Central Chamber of Commerce in Helsinki will appoint the chairman.

EUROPEAN UNION (EU)

THE FOLLOWING TERMS APPLY TO ALL EU COUNTRIES:

The warranty for Machines acquired in EU countries is valid and applicable in all EU countries provided the Machines have been announced and made available in such countries.

How to Obtain Warranty Service: *The following is added to this section:*

To obtain warranty service from IBM service in EU countries, see the telephone listing in Part 3 - Warranty Information.

You may contact IBM service at the following address:

IBM Warranty & Service Quality Dept.
PO Box 30
Spango Valley
Greenock
Scotland PA16 0AH

CONSUMERS

Consumers have legal rights under applicable national legislation governing the sale of consumer goods. Such rights are not affected by the warranties provided in this Statement of Limited Warranty.

AUSTRIA, DENMARK, FINLAND, GREECE, ITALY, NETHERLANDS, NORWAY, PORTUGAL, SPAIN, SWEDEN AND SWITZERLAND

Limitation of Liability: *The following replaces the terms of this section in its entirety:*
Except as otherwise provided by mandatory law:

1. Lenovo's liability for any damages and losses that may arise as a consequence of the fulfillment of its obligations under or in connection with this Statement of Limited Warranty or due to any other cause related to this Statement of Limited Warranty is limited to the compensation of only those damages and losses proved and actually arising as an immediate and direct consequence of the non-fulfillment of such obligations (if Lenovo is at fault) or of such cause, for a maximum amount equal to the charges you paid for the Machine.

The above limitation shall not apply to damages for bodily injuries (including death) and damages to real property and tangible personal property for which Lenovo is legally liable.

2. **UNDER NO CIRCUMSTANCES IS LENOVO, ITS SUPPLIERS, RESELLERS OR SERVICE PROVIDERS LIABLE FOR ANY OF THE FOLLOWING, EVEN IF INFORMED OF THEIR POSSIBILITY: 1) LOSS OF, OR DAMAGE TO, DATA; 2) INCIDENTAL OR INDIRECT DAMAGES, OR FOR ANY ECONOMIC CONSEQUENTIAL DAMAGES; 3) LOST PROFITS, EVEN IF THEY ARISE AS AN IMMEDIATE CONSEQUENCE OF THE EVENT THAT GENERATED THE DAMAGES; OR 4) LOSS OF BUSINESS, REVENUE, GOODWILL, OR ANTICIPATED SAVINGS.**

FRANCE AND BELGIUM

Limitation of Liability: *The following replaces the terms of this section in its entirety:*
Except as otherwise provided by mandatory law:

1. Lenovo's liability for any damages and losses that may arise as a consequence of the fulfillment of its obligations under or in connection with this Statement of Limited Warranty is limited to the compensation of only those damages and losses proved and actually arising as an immediate and direct consequence of the non-fulfillment of such obligations (if Lenovo is at fault), for a maximum amount equal to the charges you paid for the Machine that has caused the damages.

The above limitation shall not apply to damages for bodily injuries (including death) and damages to real property and tangible personal property for which Lenovo is legally liable.

2. **UNDER NO CIRCUMSTANCES IS LENOVO, ITS SUPPLIERS, RESELLERS OR SERVICE PROVIDERS LIABLE FOR ANY OF THE FOLLOWING, EVEN IF INFORMED OF THEIR POSSIBILITY: 1) LOSS OF, OR DAMAGE TO, DATA; 2) INCIDENTAL OR INDIRECT DAMAGES, OR FOR ANY ECONOMIC CONSEQUENTIAL DAMAGES; 3) LOST PROFITS, EVEN IF THEY ARISE AS AN IMMEDIATE CONSEQUENCE OF THE EVENT THAT GENERATED THE DAMAGES; OR 4) LOSS OF BUSINESS, REVENUE, GOODWILL, OR ANTICIPATED SAVINGS.**

THE FOLLOWING TERMS APPLY TO THE COUNTRY SPECIFIED:

AUSTRIA

The provisions of this Statement of Limited Warranty replace any applicable statutory warranties.

What this Warranty Covers: *The following replaces the first sentence of the first paragraph of this section:*

The warranty for a Lenovo Machine covers the functionality of the Machine for its normal use and the Machine's conformity to its Specifications.

The following paragraphs are added to this section:

The limitation period for consumers in action for breach of warranty is the statutory period as a minimum. In case your Service Provider is unable to repair a Lenovo Machine, you can alternatively ask for a partial refund as far as justified by the reduced value of the unrepaired Machine or ask for a cancellation of the respective agreement for such Machine and get your money refunded.

The second paragraph does not apply.

What Lenovo Will Do to Correct Problems: *The following is added to this section:*

During the warranty period, Lenovo will reimburse you for the transportation charges for the delivery of the failing Machine to IBM Service.

Limitation of Liability: *The following paragraph is added to this section:*

The limitations and exclusions specified in the Statement of Limited Warranty will not apply to damages caused by Lenovo with fraud or gross negligence and for express warranty.

The following sentence is added to the end of item 2:

Lenovo's liability under this item is limited to the violation of essential contractual terms in cases of ordinary negligence.

EGYPT

Limitation of Liability: *The following replaces item 2 in this section:*

as to any other actual direct damages, Lenovo's liability will be limited to the total amount you paid for the Machine that is the subject of the claim.

Applicability of suppliers, resellers, and Service Providers (unchanged).

FRANCE

Limitation of Liability: *The following replaces the second sentence of the first paragraph of this section:*

In such instances, regardless of the basis on which you are entitled to claim damages from Lenovo, Lenovo is liable for no more than: (items 1 and 2 unchanged).

GERMANY

What this Warranty Covers: *The following replaces the first sentence of the first paragraph of this section:*

The warranty for a Lenovo Machine covers the functionality of the Machine for its normal use and the Machine's conformity to its Specifications.

The following paragraphs are added to this section:

The minimum warranty period for Machines is twelve months. In case your Service Provider is unable to repair a Lenovo Machine, you can alternatively ask for a partial refund as far as justified by the reduced value of the unrepaired Machine or ask for a cancellation of the respective agreement for such Machine and get your money refunded.

The second paragraph does not apply.

What Lenovo Will Do to Correct Problems: *The following is added to this section:*
During the warranty period, transportation for delivery of the failing Machine to Lenovo or IBM service will be at Lenovo's expense.

Limitation of Liability: *The following paragraph is added to this section:*
The limitations and exclusions specified in the Statement of Limited Warranty will not apply to damages caused by Lenovo with fraud or gross negligence and for express warranty.

The following sentence is added to the end of item 2:

Lenovo's liability under this item is limited to the violation of essential contractual terms in cases of ordinary negligence.

HUNGARY

Limitation of Liability: *The following is added at the end of this section:*
The limitation and exclusion specified herein shall not apply to liability for a breach of contract damaging life, physical well-being, or health that has been caused intentionally, by gross negligence, or by a criminal act.

The parties accept the limitations of liability as valid provisions and state that the Section 314.(2) of the Hungarian Civil Code applies as the acquisition price as well as other advantages arising out of the present Statement of Limited Warranty balance this limitation of liability.

IRELAND

What this Warranty Covers: *The following is added to this section:*
Except as expressly provided in these terms and conditions, all statutory conditions, including all warranties implied, but without prejudice to the generality of the foregoing all warranties implied by the Sale of Goods Act 1893 or the Sale of Goods and Supply of Services Act 1980 are hereby excluded.

Limitation of Liability: *The following replaces the terms of section in its entirety:*
For the purposes of this section, a "Default" means any act, statement, omission, or negligence on the part of Lenovo in connection with, or in relation to, the subject matter of this Statement of Limited Warranty in respect of which Lenovo is legally liable to you, whether in contract or tort. A number of Defaults which together result in, or contribute to, substantially the same loss or damage will be treated as one Default occurring on the date of occurrence of the last such Default.

Circumstances may arise where, because of a Default, you are entitled to recover damages from Lenovo.

This section sets out the extent of Lenovo's liability and your sole remedy.

1. Lenovo will accept unlimited liability for death or personal injury caused by the negligence of Lenovo.
2. Subject always to the **Items for Which Lenovo is Not Liable** below, Lenovo will accept unlimited liability for physical damage to your tangible property resulting from the negligence of Lenovo.
3. Except as provided in items 1 and 2 above, Lenovo's entire liability for actual damages for any one Default will not in any event exceed 125% of the amount you paid for the Machine directly relating to the Default.

Items for Which Lenovo is Not Liable

Save with respect to any liability referred to in item 1 above, under no

circumstances is Lenovo, its suppliers, resellers or Service Providers liable for any of the following, even if Lenovo or they were informed of the possibility of such losses:

1. loss of, or damage to, data;
2. special, indirect, or consequential loss; or
3. loss of profits, business, revenue, goodwill, or anticipated savings.

SLOVAKIA

Limitation of Liability: *The following is added to the end of the last paragraph:*

The limitations apply to the extent they are not prohibited under §§ 373-386 of the Slovak Commercial Code.

SOUTH AFRICA, NAMIBIA, BOTSWANA, LESOTHO AND SWAZILAND

Limitation of Liability: *The following is added to this section:*

Lenovo's entire liability to you for actual damages arising in all situations involving nonperformance by Lenovo in respect of the subject matter of this Statement of Warranty will be limited to the charge paid by you for the individual Machine that is the subject of your claim from Lenovo.

UNITED KINGDOM

Limitation of Liability: *The following replaces the terms of this section in its entirety:*

For the purposes of this section, a "Default" means any act, statement, omission, or negligence on the part of Lenovo in connection with, or in relation to, the subject matter of this Statement of Limited Warranty in respect of which Lenovo is legally liable to you, whether in contract or tort. A number of Defaults which together result in, or contribute to, substantially the same loss or damage will be treated as one Default.

Circumstances may arise where, because of a Default, you are entitled to recover damages from Lenovo.

This section sets out the extent of Lenovo's liability and your sole remedy.

1. Lenovo will accept unlimited liability for:
 - a. death or personal injury caused by the negligence of Lenovo; and
 - b. any breach of its obligations implied by Section 12 of the Sale of Goods Act 1979 or Section 2 of the Supply of Goods and Services Act 1982, or any statutory modification or re-enactment of either such Section.
2. Lenovo will accept unlimited liability, subject always to the **Items for Which Lenovo is Not Liable** below, for physical damage to your tangible property resulting from the negligence of Lenovo.
3. Lenovo's entire liability for actual damages for any one Default will not in any event, except as provided in items 1 and 2 above, exceed 125% of the total purchase price payable or the charges for the Machine directly relating to the Default.

These limits also apply to Lenovo's suppliers, resellers and Service Providers. They state the maximum for which Lenovo and such suppliers, resellers and Service Providers are collectively responsible.

Items for Which Lenovo is Not Liable

Save with respect to any liability referred to in item 1 above, under no circumstances is Lenovo or any of its suppliers, resellers or Service Providers liable for any of the following, even if Lenovo or they were informed of the possibility of such losses:

1. loss of, or damage to, data;

2. special, indirect, or consequential loss; or
3. loss of profits, business, revenue, goodwill, or anticipated savings.

Part 3 - Warranty Information

This Part 3 provides information regarding the warranty applicable to your Machine, including the warranty period and type of warranty service Lenovo provides.

Warranty Period

The warranty period may vary by country or region and is specified in the table below. NOTE: "Region" means either Hong Kong or Macau Special Administrative Region of China.

ThinkVision C400 Wireless Projector

Machine Type	Country or Region of Purchase	Warranty Period	Type of Warranty Service
C400 Wireless Projector	Worldwide	3 years	7

A warranty period of 3 years on parts and 3 years on labor means that Lenovo provides warranty service without charge for parts and labor during the 3 year warranty period.

ThinkVision C400 Wireless Projector Lamp

Machine Type	Country or Region of Purchase	Warranty Period	Type of Warranty Service
C400 Wireless Projector Lamp	Worldwide	3 months	7

A warranty period of 3 months on parts and 3 months on labor means that Lenovo provides warranty service without charge for parts and labor during the 3 month warranty period.

Types of Warranty Service

If required, your Service Provider will provide repair or exchange service depending on the type of warranty service specified for your Machine in the above table and as described below. Scheduling of service will depend upon the time of your call and is subject to parts availability. Service levels are response time objectives and are not guaranteed. The specified level of warranty service may not be available in all worldwide locations, additional charges may apply outside your Service Provider's normal service area, contact your local Service Provider representative or your reseller for country and location specific information.

1. Customer Replaceable Unit ("CRU") Service

Lenovo will ship CRUs to you for you to install, Tier 1 CRUs are easy to install whereas Tier 2 CRUs require some technical skill and tools. CRU information

and replacement instructions are shipped with your Machine and are available from Lenovo at any time on your request. You may request that a Service Provider install CRUs, at no additional charge, under the type of warranty service designated for your Machine. Lenovo specifies in the materials shipped with a replacement CRU whether a defective CRU must be returned. When return is required, 1) return instructions and a container are shipped with the replacement CRU, and 2) you may be charged for the replacement CRU if Lenovo does not receive the defective CRU within 30 days of your receipt of the replacement.

2. On-site Service

Your Service Provider will either repair or exchange the failing Machine at your location and verify its operation. You must provide suitable working area to allow disassembly and reassembly of the Lenovo Machine. The area must be clean, well lit and suitable for the purpose. For some Machines, certain repairs may require sending the Machine to a designated service center.

3. Courier or Depot Service *

You will disconnect the failing Machine for collection arranged by your Service Provider. A shipping container will be provided to you for you to return your Machine to a designated service center. A courier will pick up your Machine and deliver it to the designated service center. Following its repair or exchange, the service center will arrange the return delivery of the Machine to your location. You are responsible for its installation and verification.

4. Customer Carry-In or Mail-In Service

You will deliver or mail as your Service Provider specifies (prepaid unless specified otherwise) the failing Machine suitably packaged to a designated location. After the Machine has been repaired or exchanged, it will be made available for your collection or, for Mail-in Service, the Machine will be returned to you at Lenovo's expense, unless your Service Provider specifies otherwise. You are responsible for the subsequent installation and verification of the Machine.

5. CRU and On-site Service

This type of Warranty Service is a combination of Type 1 and Type 2 (see above).

6. CRU and Courier or Depot Service

This type of Warranty Service is a combination of Type 1 and Type 3 (see above).

7. CRU and Customer Carry-In or Mail-In Service

This type of Warranty Service is a combination of Type 1 and Type 4 (see above).

When a 5, 6 or 7 type of warranty service is listed, your Service Provider will determine which type of warranty service is appropriate for the repair.

* This type of service is called ThinkPad EasyServ or EasyServ in some countries.

To obtain warranty service contact a Service Provider. In Canada or the United States, call 1-800-IBM-SERV (426-7378). In other countries, see the telephone numbers below.

Worldwide telephone list

Phone numbers are subject to change without notice. For the most current phone numbers, go to <http://www.lenovo.com/think/support> and click **Support phone list**.

Country or Region	Telephone Number
Africa	Africa: +44 (0)1475-555-055 South Africa: +27-11-3028888 and 0800110756 Central Africa: Contact the nearest IBM Business Partner
Argentina	0800-666-0011 (Spanish)
Australia	131-426 (English)
Austria	Up and running support: 01-24592-5901 Warranty service and support: 01-211-454-610 (German)
Belgium	Up and running support: 02-210-9820 (Dutch) Up and running support: 02-210-9800 (French) Warranty service and support: 02-225-3611 (Dutch, French)
Bolivia	0800-0189 (Spanish)
Brazil	Sao Paulo region: (11) 3889-8986 Toll free outside Sao Paulo region: 0800-7014-815 (Brazilian Portuguese)
Canada	1-800-565-3344 (English, French) In Toronto only call: 416-383-3344
Chile	800-224-488 (Spanish)
China	800-810-1818 (Mandarin)
China (Hong Kong S.A.R.)	Home PC: 852-2825-7799 Commercial PC: 852-8205-0333 ThinkPad and WorkPad: 852-2825-6580 (Cantonese, English, Putonghua)
Colombia	1-800-912-3021 (Spanish)
Costa Rica	284-3911 (Spanish)
Croatia	0800-0426
Cyprus	+357-22-841100
Czech Republic	+420-2-7213-1316
Denmark	Up and running support: 4520-8200 Warranty service and support: 7010-5150 (Danish)
Dominican Republic	566-4755 566-5161 ext. 8201 Toll Free within the Dominican Republic: 1-200-1929 (Spanish)
Ecuador	1-800-426911 (Spanish)
El Salvador	250-5696 (Spanish)
Estonia	+386-61-1796-699
Finland	Up and running support: 09-459-6960 Warranty service and support: +358-800-1-4260 (Finnish)

Country or Region	Telephone Number
France	Up and running support: 0238-557-450 Warranty service and support (hardware): 0810-631-213 Warranty service and support (software): 0810-631-020 (French)
Germany	Up and running support: 07032-15-49201 Warranty service and support: 01805-25-35-58 (German)
Greece	+30-210-680-1700
Guatemala	335-8490 (Spanish)
Honduras	Tegucigalpa & San Pedro Sula: 232-4222 San Pedro Sula: 552-2234 (Spanish)
Hungary	+36-1-382-5720
India	1600-44-6666 Alternate Toll Free: +91-80-2678-8940 (English)
Indonesia	800-140-3555 +62-21-251-2955 (English, Bahasa, Indonesian)
Ireland	Up and running support: 01-815-9202 Warranty service and support: 01-881-1444 (English)
Italy	Up and running support: 02-7031-6101 Warranty service and support: +39-800-820094 (Italian)
Japan	Desktop: Toll free: 0120-887-870 For International: +81-46-266-4724 ThinkPad: Toll free: 0120-887-874 For International: +81-46-266-4724 Both of the above numbers will be answered with a Japanese language voice prompt. For telephone support in English, please wait for the Japanese voice prompt to end, and an operator will answer. Please ask for "English support please," and your call will be transferred to an English speaking operator. PC Software: 0120-558-695 Overseas calls: +81-44-200-8666 (Japanese)
Korea	1588-5801 (Korean)
Latvia	+386-61-1796-699
Lithuania	+386-61-1796-699
Luxembourg	+352-298-977-5063 (French)
Malaysia	1800-88-8558 (English, Bahasa, Melayu)
Malta	+356-23-4175
Mexico	001-866-434-2080 (Spanish)
Middle East	+44 (0)1475-555-055

Country or Region	Telephone Number
Netherlands	+31-20-514-5770 (Dutch)
New Zealand	0800-446-149 (English)
Nicaragua	255-6658 (Spanish)
Norway	Up and running support: 6681-1100 Warranty service and support: 8152-1550 (Norwegian)
Panama	206-6047 (Spanish)
Peru	0-800-50-866 (Spanish)
Philippines	1800-1888-1426 +63-2-995-8420 (English, Philipino)
Poland	+48-22-878-6999
Portugal	+351-21-892-7147 (Portuguese)
Romania	+4-021-224-4015
Russian Federation	+7-095-940-2000 (Russian)
Singapore	1800-3172-888 (English, Bahasa, Melayu)
Slovakia	+421-2-4954-1217
Slovenia	+386-1-4796-699
Spain	91-714-7983 91-397-6503 (Spanish)
Sri Lanka	+94-11-2448-442 (English)
Sweden	Up and running support: 08-477-4420 Warranty service and support: 077-117-1040 (Swedish)
Switzerland	Up and running support: 058-333-0900 Warranty service and support: 0800-55-54-54 (German, French, Italian)
Taiwan	886-2-8723-9799 (Mandarin)
Thailand	1-800-299-229 (Thai)
Turkey	00800-4463-2041 (Turkish)
United Kingdom	Up and running support: 01475-555-055 Warranty service and support (hardware): 08705-500-900 Warranty service and support (software): 08457-151-516 (English)
United States	1-800-426-7378 (English)
Uruguay	000-411-005-6649 (Spanish)
Venezuela	0-800-100-2011 (Spanish)
Vietnam	For northern area and Hanoi: 84-4-8436675 For southern area and Ho Chi Minh City: 84-8-829-5160 (English, Vietnamese)

Guarantee supplement for Mexico

This supplement is considered part of Lenovo's Statement of Limited Warranty and shall be effective solely and exclusively for products distributed and commercialized within Territory of the Mexican United States. In the event of a conflict, the terms of this supplement shall apply.

All software programs pre-loaded in the equipment shall only have a thirty- (30) day guarantee for installation defects from the date of purchase. Lenovo is not responsible for the information in such software programs and/or any additional software programs installed by you or installed after purchase of the product.

Services not chargeable to the guarantee shall be charged to the final user, prior an authorization.

In the event that warranty repair is required please call the Customer Support Center at 001-866-434-2080, where you will be directed to the nearest Authorized Service Center. Should no Authorized Service Center exist in your city, location or within 70 kilometers of your city or location, the guarantee includes any reasonable delivery charges related to the transportation of the product to our nearest Authorized Service Center. Please call the nearest Authorized Service Center to obtain the necessary approvals or information concerning the shipment of the product and the shipment address.

To obtain a list of Authorized Service Centers, please visit:

<http://www.lenovo.com/mx/es/servicios>

Manufactured by:
SCI Systems de México, S.A. de C.V.
Av. De la Solidaridad Iberoamericana No. 7020
Col. Club de Golf Atlas
El Salto, Jalisco, México
C.P. 45680,
Tel. 01-800-3676900

Marketing by:
Lenovo de México, Comercialización y
Servicios, S. A. de C. V.
Alfonso Nápoles Gándara No 3111
Parque Corporativo de Peña Blanca
Delegación Álvaro Obregón
México, D.F., México
C.P. 01210,
Tel. 01-800-00-325-00

Appendix F. Notices

Lenovo may not offer the products, services, or features discussed in this document in all countries. Consult your local Lenovo representative for information on the products and services currently available in your area. Any reference to a Lenovo product, program, or service is not intended to state or imply that only that Lenovo product, program, or service may be used. Any functionally equivalent product, program, or service that does not infringe any Lenovo intellectual property right may be used instead. However, it is the user's responsibility to evaluate and verify the operation of any other product, program, or service.

Lenovo may have patents or pending patent applications covering subject matter described in this document. The furnishing of this document does not give you any license to these patents. You can send license inquiries, in writing, to:

*Lenovo (United States), Inc.
500 Park Offices Drive, Hwy. 54
Research Triangle Park, NC 27709
U.S.A.
Attention: Lenovo Director of Licensing*

LENOVO GROUP LTD. PROVIDES THIS PUBLICATION "AS IS" WITHOUT WARRANTY OF ANY KIND, EITHER EXPRESS OR IMPLIED, INCLUDING, BUT NOT LIMITED TO, THE IMPLIED WARRANTIES OF NON-INFRINGEMENT, MERCHANTABILITY OR FITNESS FOR A PARTICULAR PURPOSE. Some jurisdictions do not allow disclaimer of express or implied warranties in certain transactions, therefore, this statement may not apply to you.

This information could include technical inaccuracies or typographical errors. Changes are periodically made to the information herein; these changes will be incorporated in new editions of the publication. Lenovo may make improvements and/or changes in the product(s) and/or the program(s) described in this publication at any time without notice.

The products described in this document are not intended for use in implantation or other life support applications where malfunction may result in injury or death to persons. The information contained in this document does not affect or change Lenovo product specifications or warranties. Nothing in this document shall operate as an express or implied license or indemnity under the intellectual property rights of Lenovo or third parties. All information contained in this document was obtained in specific environments and is presented as an illustration. The result obtained in other operating environments may vary.

Lenovo may use or distribute any of the information you supply in any way it believes appropriate without incurring any obligation to you.

Any references in this publication to non-Lenovo Web sites are provided for convenience only and do not in any manner serve as an endorsement of those Web sites. The materials at those Web sites are not part of the materials for this Lenovo product, and use of those Web sites is at your own risk.

Any performance data contained herein was determined in a controlled environment. Therefore, the result obtained in other operating environments may

vary significantly. Some measurements may have been made on development-level systems and there is no guarantee that these measurements will be the same on generally available systems. Furthermore, some measurements may have been estimated through extrapolation. Actual results may vary. Users of this document should verify the applicable data for their specific environment.

Trademarks

The following terms are trademarks of Lenovo in the United States, other countries, or both:

- Lenovo
- ThinkPad
- ThinkCentre
- ThinkVision

The following terms are trademarks of International Business Machines Corporation in the United States, other countries, or both and are used under license:

- IBM is a trademark of International Business Machines Corporation in the United States, other countries, or both and is used under license.

Microsoft, Windows and PowerPoint are trademarks of Microsoft Corporation in the United States, other countries, or both.

Other company, product, or service names may be trademarks or service marks of others.

Appendix G. Electronic emissions notices

The following information refers to the C400 Wireless Projector.

Federal Communications Commission (FCC) Class A Statement of Compliance

This equipment has been tested and found to comply with the limits for a Class A digital device, pursuant to Part 15 of the FCC Rules. These limits are designed to provide reasonable protection against harmful interference when the equipment is operated in a commercial environment. This equipment generates, uses, and can radiate radio frequency energy and, if not installed and used in accordance with the instruction manual, may cause harmful interference to radio communications. Operation of this equipment in a residential area is likely to cause harmful interference in which case the user will be required to correct the interference at his own expense.

Lenovo is not responsible for any radio or television interference caused by using other than recommended cables and connectors or by unauthorized changes or modifications to this equipment. Unauthorized changes or modifications could void the user's authority to operate the equipment.

This device is complies with Part 15 of the FCC Rules. Operation is subject to the following two conditions: (1) this device may not cause harmful interference, and (2) this device must accept any interference received, including interference that may cause undesired operation.

Industry Canada Class A emission compliance statement

This Class A digital apparatus complies with Canadian ICES-003.

Avis de conformité a la réglementation d'Industrie Canada

Cet appareil numérique de la classe A est conform à la norme NMB-003 du Canada.

EU-EMC Directive (89/336/EG) EN 55022 class A Statement of Compliance

Deutschsprachiger EU Hinweis:

Hinweis für Geräte der Klasse A EU-Richtlinie zur Elektromagnetischen Verträglichkeit Dieses Produkt entspricht den Schutzanforderungen der EU-Richtlinie 89/336/EWG zur Angleichung der Rechtsvorschriften über die elektromagnetische Verträglichkeit in den EU-Mitgliedsstaaten und hält die Grenzwerte der EN 55022 Klasse A ein. Um dieses sicherzustellen, sind die Geräte wie in den Handbüchern beschrieben zu installieren und zu betreiben. Des Weiteren dürfen auch nur von der Lenovo empfohlene Kabel angeschlossen werden. Lenovo übernimmt keine Verantwortung für die Einhaltung der Schutzanforderungen, wenn das Produkt ohne Zustimmung der Lenovo verändert bzw. wenn Erweiterungskomponenten von Fremdherstellern ohne Empfehlung der Lenovo gesteckt/eingebaut werden. EN 55022 Klasse A Geräte müssen mit folgendem Warnhinweis versehen werden: "Warnung: Dieses ist eine Einrichtung

der Klasse A. Diese Einrichtung kann im Wohnbereich Funk-Störungen verursachen; in diesem Fall kann vom Betreiber verlangt werden, angemessene Maßnahmen zu ergreifen und dafür aufzukommen."

Deutschland: Einhaltung des Gesetzes über die elektromagnetische Verträglichkeit von Geräten Dieses Produkt entspricht dem "Gesetz über die elektromagnetische Verträglichkeit von Geräten (EMVG)". Dies ist die Umsetzung der EU-Richtlinie 89/336/EWG in der Bundesrepublik Deutschland.

Zulassungsbescheinigung laut dem Deutschen Gesetz über die elektromagnetische Verträglichkeit von Geräten (EMVG) vom 18. September 1998 (bzw. der EMC EG Richtlinie 89/336) für Geräte der Klasse A Dieses Gerät ist berechtigt, in Übereinstimmung mit dem Deutschen EMVG das EG-Konformitätszeichen - CE - zu führen. Verantwortlich für die Konformitätserklärung nach Paragraf 5 des EMVG ist die Lenovo (Deutschland) GmbH, Pascalstr. 100, D-70569 Stuttgart.

Informationen in Hinsicht EMVG Paragraf 4 Abs. (1) 4:

Das Gerät erfüllt die Schutzanforderungen nach EN 55024 und EN 55022 Klasse A.

European Union - EMC directive

This product is in conformity with the protection requirements of EU Council Directive 89/336/ECC on the approximation of the laws of the Member States relating to electromagnetic compatibility.

Lenovo cannot accept responsibility for any failure to satisfy the protection requirements resulting from a non-recommended modification of the product, including the fitting of non-Lenovo option cards.

This product has been tested and found to comply with the limits for Class A Information Technology Equipment according to CISPR 22/European Standard EN 55022. The limits for Class A equipment were derived for commercial and industrial environments to provide reasonable protection against interference with licensed communication equipment.

Warning: This is a Class A product. In a domestic environment this product may cause radio interference in which case the user may be required to take adequate measures.
--

Union Européenne - Directive Conformité électromagnétique

Ce produit est conforme aux exigences de protection de la Directive 89/336/EEC du Conseil de l'UE sur le rapprochement des lois des États membres en matière de compatibilité électromagnétique.

Lenovo ne peut accepter aucune responsabilité pour le manquement aux exigences de protection résultant d'une modification non recommandée du produit, y compris l'installation de cartes autres que les cartes Lenovo.

Ce produit a été testé et il satisfait les conditions de l'équipement informatique de Classe A en vertu de CISPR22/Standard européen EN 55022. Les conditions pour l'équipement de Classe A ont été définies en fonction d'un contexte d'utilisation commercial et industriel afin de fournir une protection raisonnable contre

l'interférence d'appareils de communication autorisés.

Avvertissement : Ceci est un produit de Classe A. Dans un contexte résidentiel, ce produit peut causer une interférence radio exigeant que l'utilisateur prenne des mesures adéquates.

Union Europea - Normativa EMC

Questo prodotto è conforme alle normative di protezione ai sensi della Direttiva del Consiglio dell'Unione Europea 89/336/CEE sull'armonizzazione legislativa degli stati membri in materia di compatibilità elettromagnetica.

Lenovo non accetta responsabilità alcuna per la mancata conformità alle normative di protezione dovuta a modifiche non consigliate al prodotto, compresa l'installazione di schede e componenti di marca diversa da Lenovo.

Le prove effettuate sul presente prodotto hanno accertato che esso rientra nei limiti stabiliti per le apparecchiature di informatica Classe A ai sensi del CISPR 22/Norma Europea EN 55022. I limiti delle apparecchiature della Classe A sono stati stabiliti al fine di fornire ragionevole protezione da interferenze mediante dispositivi di comunicazione in concessione in ambienti commerciali ed industriali.

Avvertimento: Questo è un prodotto appartenente alla Classe A. In ambiente domestico, tale prodotto può essere causa di interferenze radio, nel qual caso l'utente deve prendere misure adeguate.

Unione Europea - Directiva EMC (Conformidad electromagnética)

Este producto satisface los requisitos de protección del Consejo de la UE, Directiva 89/336/CEE en lo que a la legislación de los Estados Miembros sobre compatibilidad electromagnética se refiere.

Lenovo no puede aceptar responsabilidad alguna si este producto deja de satisfacer dichos requisitos de protección como resultado de una modificación no recomendada del producto, incluyendo el ajuste de tarjetas de opción que no sean Lenovo.

Este producto ha sido probado y satisface los límites para Equipos Informáticos Clase A de conformidad con el Estándar CISPR22 y el Estándar Europeo EN 55022. Los límites para los equipos de Clase A se han establecido para entornos comerciales e industriales a fin de proporcionar una protección razonable contra las interferencias con dispositivos de comunicación licenciados.

Advertencia: Este es un producto de Clase A. En un entorno doméstico este producto podría causar radiointerferencias en cuyo caso el usuario deberá tomar las medidas adecuadas.

Japan VCCI Class A Compliance

この装置は、情報処理装置等電波障害自主規制協議会（VCCI）の基準に基づくクラスA情報技術装置です。この装置を家庭環境で使用すると電波妨害を引き起こすことがあります。この場合には使用者が適切な対策を講ずるよう要求されることがあります。

Additional Compliances Notices

警告使用者：
這是甲類的資訊產品，在居住的環境中使用時，可能會造成射頻干擾，在這種情況下，使用者會被要求採取某些適當的對策。

이 기기는 업무용으로 전자파적합등록을 한 기기이오니 판매자 또는 사용자는 이점을 주의하시기 바라며, 만약 잘못 판매 또는 구입하였을 때에는 가정용으로 교환하시기 바랍니다.

ThinkVision®

Part Number: 40Y7781

Printed in USA

(1P) P/N: 40Y7781

