

Rack Mounting Instructions

Review the following guidelines before you install devices in the rack cabinet:

- Review the documentation that comes with your rack cabinet.
- Ensure the room air temperature is below 35°C (95°F).
- Maintain 15 cm (6 in.) of clearance around your server for air circulation.
- Plan the device installation starting from the bottom of the rack.
- Remove the rack doors and side panels to provide easier access during installation, if necessary.



Use safe practices when lifting.



≥18 kg (39.7 lbs)



≥32 kg (70.5 lbs)



≥55 kg (121.2 lbs)

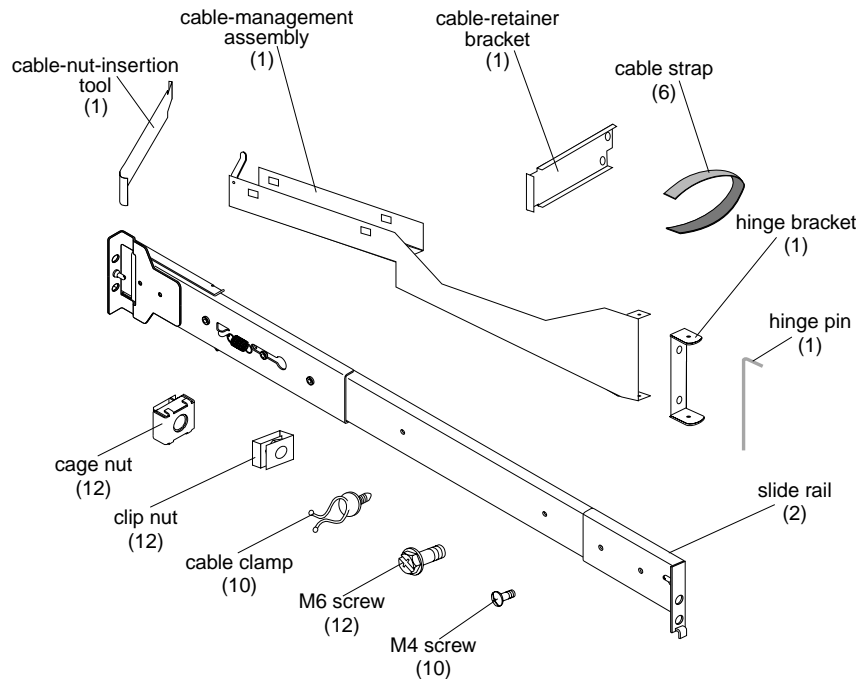


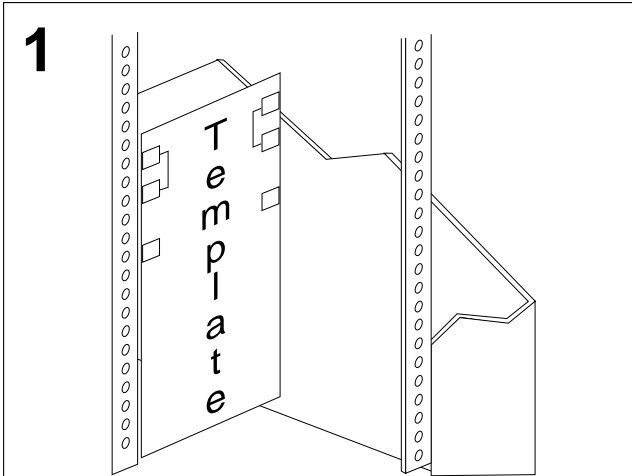
Do not place any object weighing more than 50 kg (110 lbs) on top of rack-mounted devices.



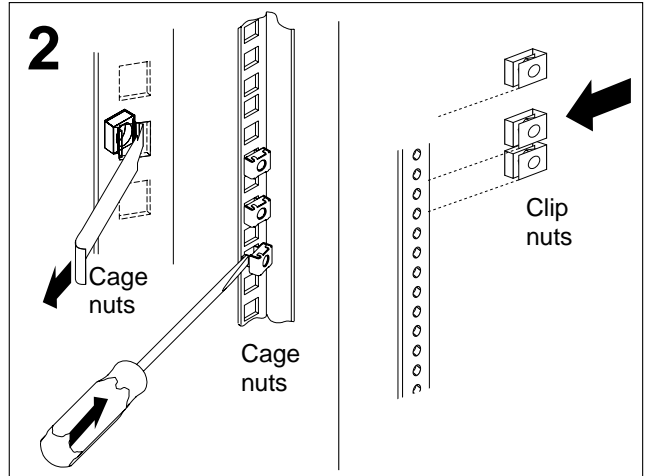
>50 kg (110 lbs)

You will need an assortment of small screwdrivers and an 8-inch adjustable wrench or pliers during the installation. The following items are shipped in your rack installation kit. If any items are missing or damaged, contact your place of purchase.



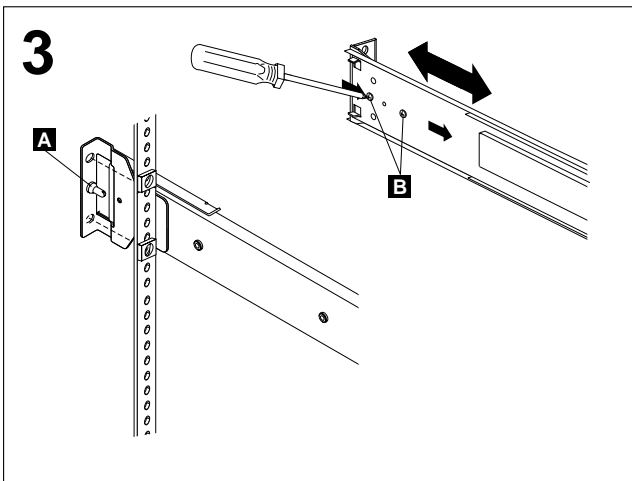


Position the template on the rack so that the edges of the template do not overlap any other devices to be installed. Then, use the attached stickers to mark the holes on the front and rear of the rack in the locations indicated by the arrows on the attached template.



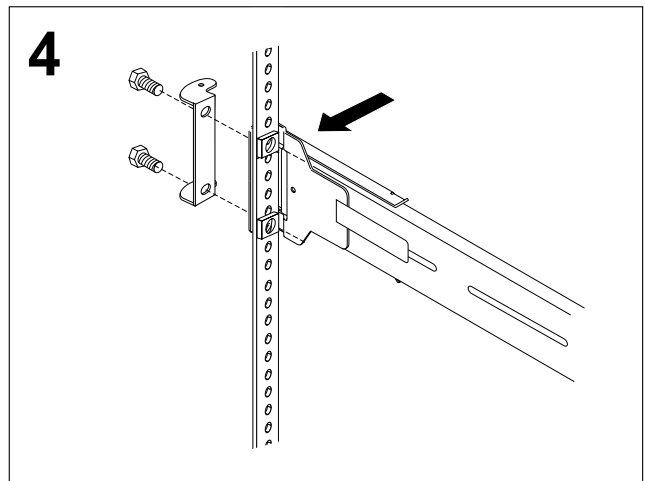
Use the cage-nut-insertion tool or a screwdriver to install the cage nuts, or the clip nuts, on your rack.

Note: For racks with square holes, use the cage nuts. For racks with round holes, use clip nuts.



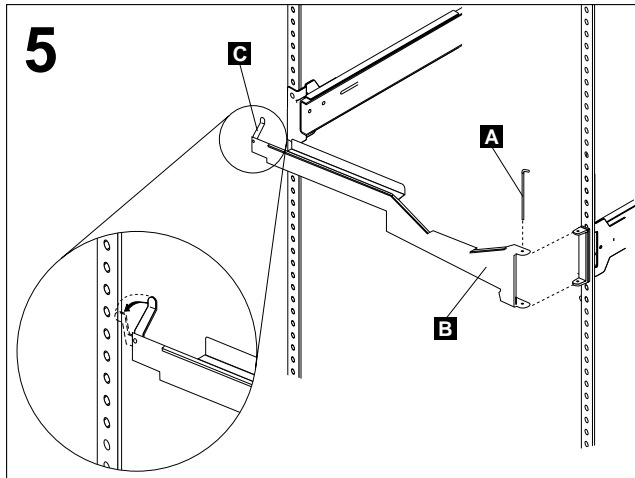
Use the pin **A** on the rear of the slide rail to align the slide rail to the rack.

Note: If it is necessary to adjust the length of the slide rail, loosen the screws **B**, as shown. Once the slide rail is adjusted, tighten the screws immediately.



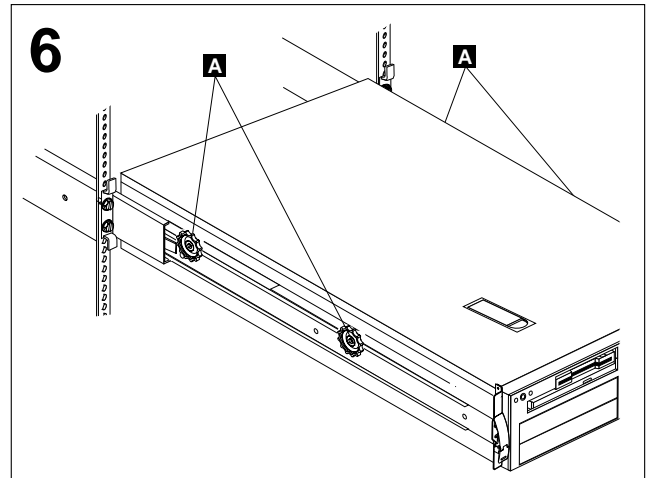
Use the M6 screws to bolt the front and rear of the slide rail to the rack. When installing the right slide rail, you must also install a hinge bracket on the rear of the rail, as shown.

Attention: The edge of the slide rail and the rack must be vertically aligned after the screws have been tightened.



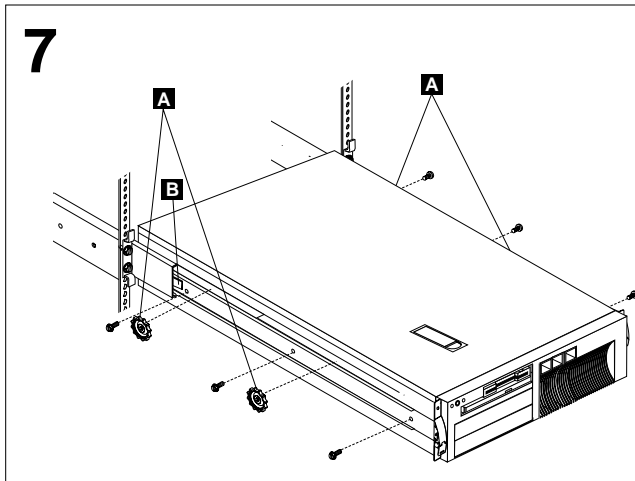
Use the hinge pin **A** to attach the cable-management arm **B** to the hinge bracket. This illustration may differ from your rack.

Note: If you need to access the rear of the server, rotate the lever **C** to the vertical position and pull the arm away from the server. Otherwise, the lever must be in the horizontal position inside the rack to prevent the cables from touching the rear door of the rack.



Warning: To avoid injury, do not place your fingers around the rack-support wheels **A** when lowering the server onto the rails.

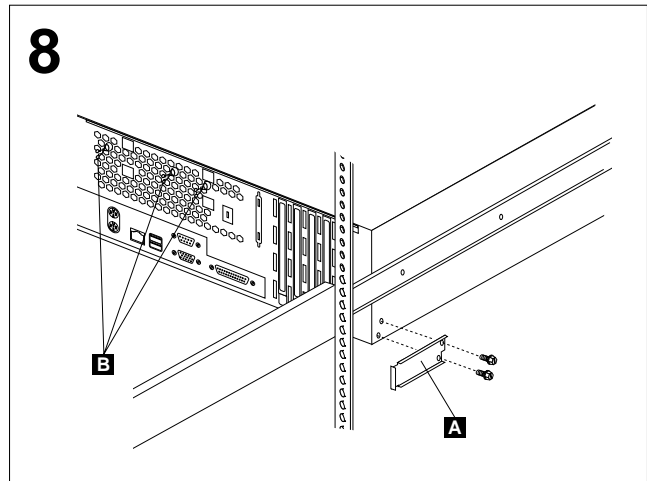
Fully extend the slide rails out of the rack. Lift the server above the rails; then, rest the rack-support wheels **A** on the side rails.



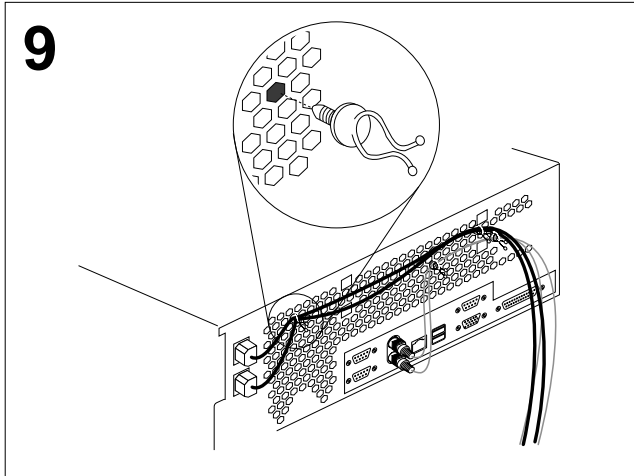
Use the M4 screws to secure the server to the rails. Unscrew the rack-support wheels **A** and store them in a safe place.

Notes:

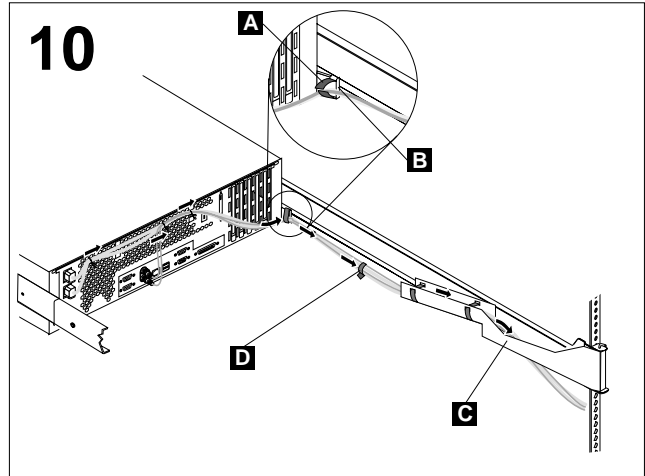
1. When you are ready to slide the server into the rack, press the release latches **B** on both slide rails and push the server into the rack.
2. You will need the rack-support wheels again if you remove the server from the rack.



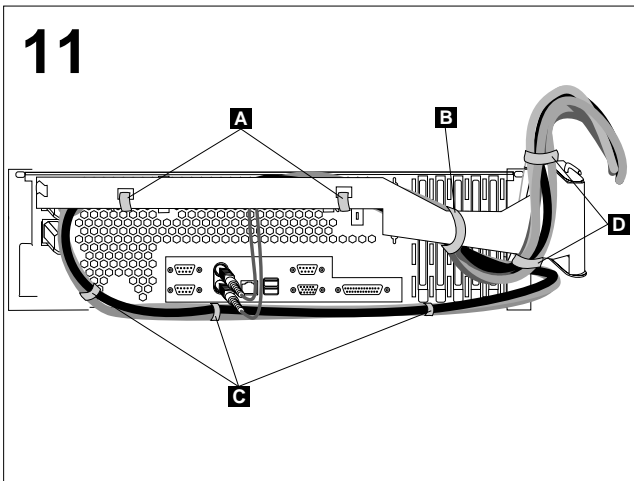
Use the M4 screws to install the cable-retainer bracket **A** then install the cable clamps **B** in the second row of holes. Use this graphic and the square cut-outs on the rear of your server as reference points for the cable clamps. The first clamp goes between the power connector and the cut-outs, the second goes between the two sets of cut-outs, and the third goes between the last set of cut-outs.



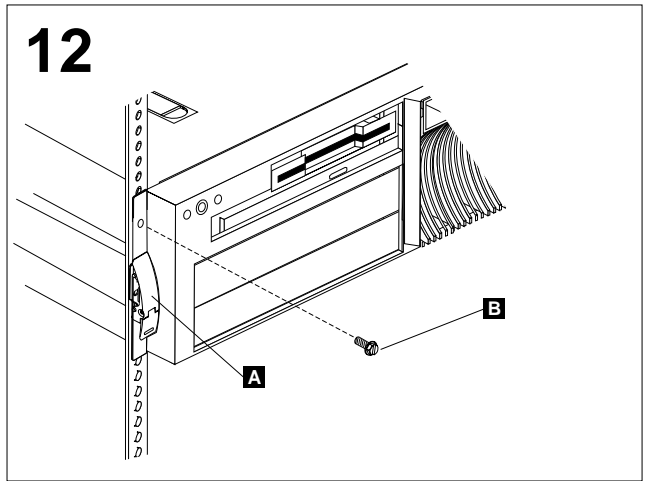
Attach the power, keyboard, mouse, and monitor cables (if required) to the server and route them through the cable clamps **A**. Then, attach all other required cables to the server.



With the slide rails fully extended, attach the cables to the cable-retainer bracket **B** on the server. Determine the length of cable needed between the server and the cable management arm. Then, route the power cables, console cable, and the data cables through the cable management assembly **C**. Use a cable strap **D** to secure the cables as shown.



Use cable straps **A** to hold the cables in the cable management arm. Secure the tied cables **B** with a cable strap **C**. Then wrap the tied cables under the right end of the arm, and route them upward as shown, using two cable straps **D** to secure them.



Slide the server into the rack until the release latches **A** snap shut.

Note: Inserting the M6 screws **B** is optional, unless you are moving the rack or the rack is in a vibration-prone area.

Refer to your system documentation to complete the installation. Store this information with your system documentation for future use.

© Copyright International Business Machines Corporation 2001. All rights reserved.

Note to U.S. Government Users — Documentation related to restricted rights — Use, duplication or disclosure is subject to restrictions set forth in GSA ADP Schedule Contract with IBM Corp.

Part Number: 24P2878

Printed in the United States of America.