



Rack mounting instructions

Review the documentation that comes with your rack cabinet for safety and cabling information. When installing your system in a rack cabinet, consider the following:

- Ensure the room air temperature is below 35°C (95°F).
- Do not block any air vents, usually 15 cm (6 in.) of air space provides proper airflow.
- Plan the device installation starting from the bottom of the rack cabinet.
- Install the heaviest device in the bottom of the rack cabinet.
- Do not extend more than one device out of the rack cabinet at the same time.
- Connect all power cords to properly wired and grounded electrical outlets.
- Do not overload the power outlet when installing multiple devices in the rack.
- Remove the rack doors and side panels to provide easier access during installation.
- The slide rails in this kit come preset to the correct length for installation in an IBM rack cabinet and they are adjustable for other rack cabinets.
- The slide rails are marked (RIGHT/FRONT and LEFT/FRONT) for proper placement on the rack-cabinet flanges.



Use safe practices when lifting.



≥18 kg (39.7 lb)



≥32 kg (70.5 lb)



≥55 kg (121.2 lb)

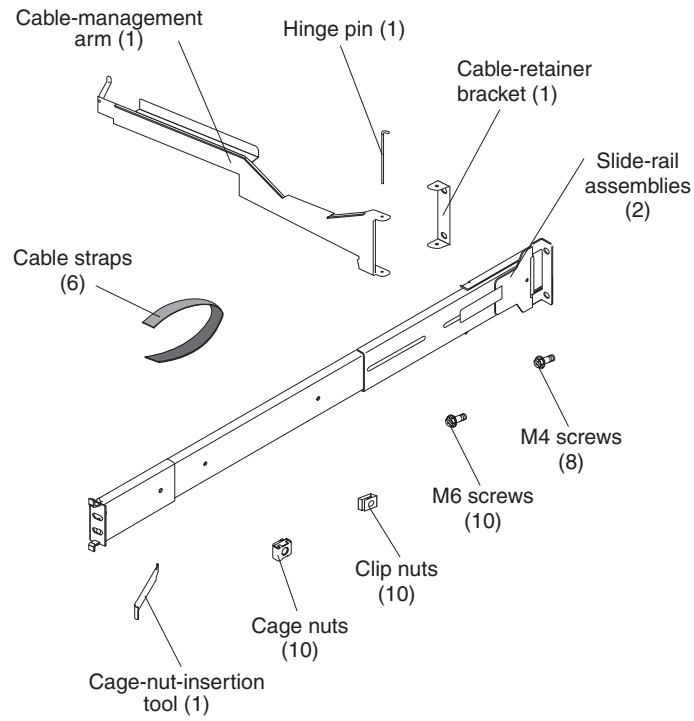


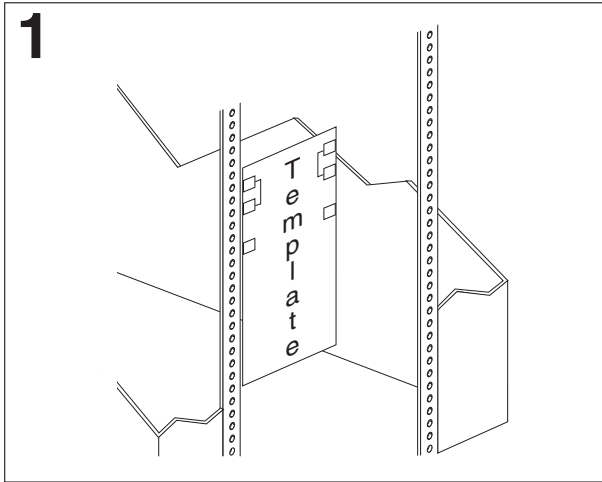
Do not place any object weighing more than 50 kg (110 lb) on top of rack-mounted devices.



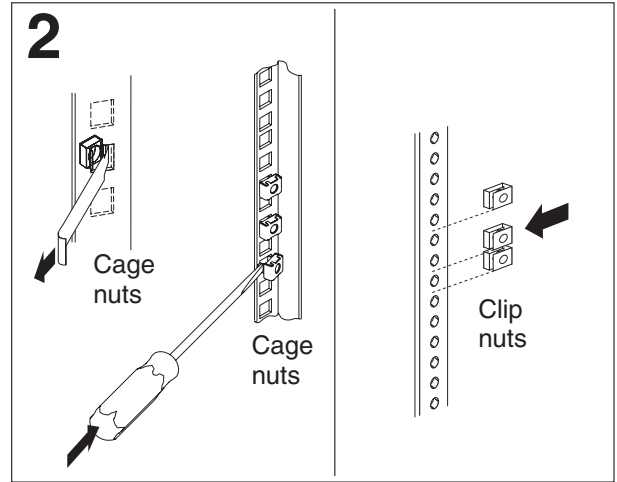
≥50 kg (110 lb)

You will need a flat-blade and a Phillips screwdriver during the installation. The following illustration lists the items that are in the rack kit. If any items are missing or damaged, contact your place of purchase.

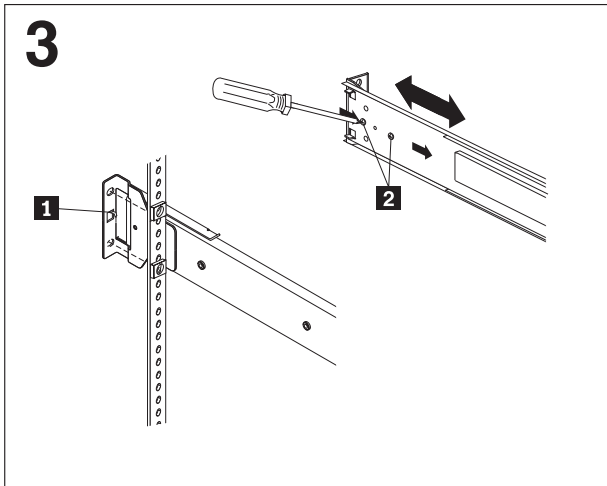




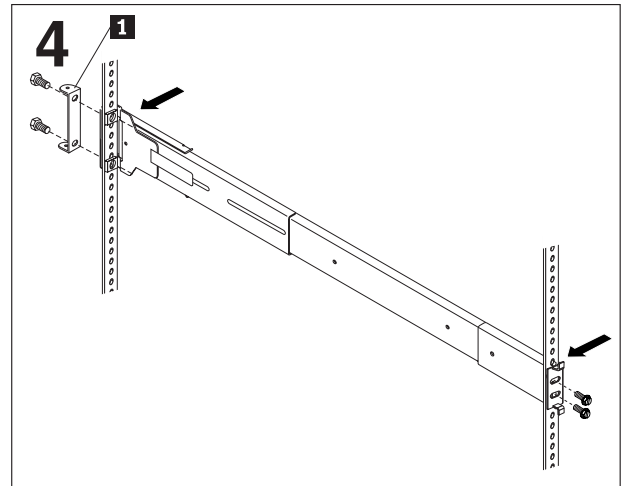
Use a pencil or marker to mark the holes on the front and rear of the rack as indicated by the arrows on the template in the kit.



Install cage nuts or clip nuts as required for your rack. Use the cage-nut-insertion tool or a flat-blade screwdriver to install cage nuts.

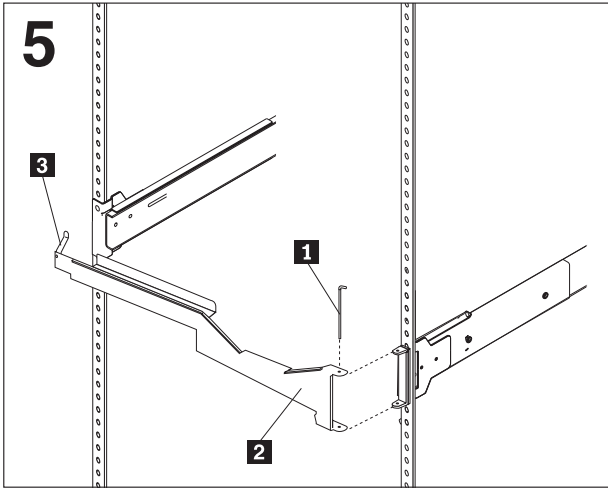


Use the tab **1** on the rear of the slide rails to align the slide rail to the rear of the rack cabinet. If it is necessary to adjust the length of the slide rail, loosen the screws **2** on the rear of the rail.



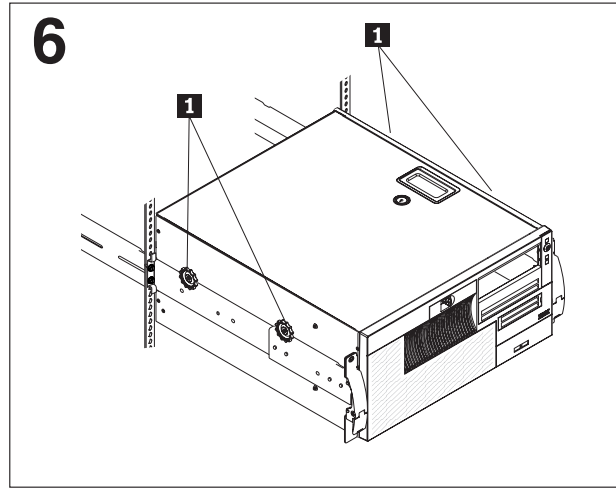
Use two M6 screws to attach the slide rail to the front of the rack cabinet (left-front of the rack cabinet shown in this step); then, use two M6 screws to attach the slide rail and hinge bracket **1** on the right-rear of the rack cabinet.

If you loosened the screws to adjust the length of the rail, tighten them now; then, repeat steps 3 and 4 for the other slide rail without a hinge bracket.



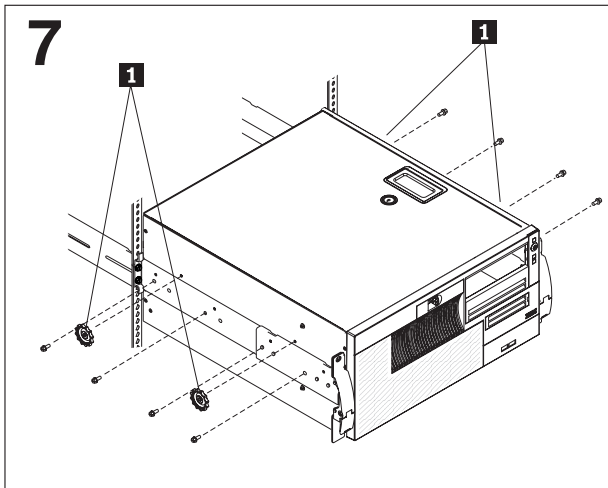
Use the hinge pin **1** to attach the cable-management arm **2** to the hinge bracket.

Note: Make sure that the lever **3** is in the horizontal position inside the rack cabinet to prevent the cables from touching the rear door of the rack cabinet.

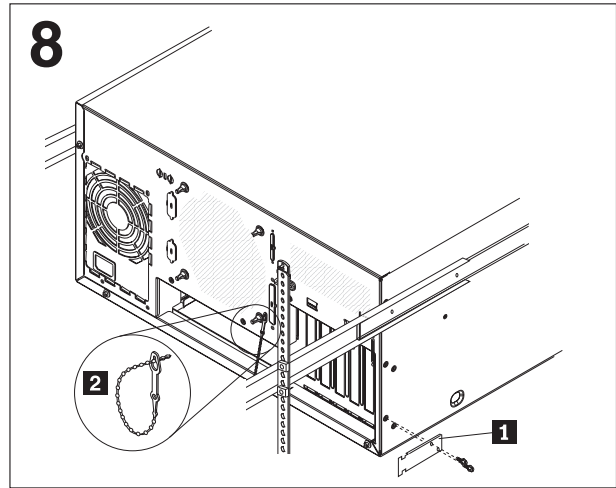


Fully extend the slide rails out of the rack cabinet; then, lift the system above the rails and rest the rack-support wheels **1** on the slide rails.

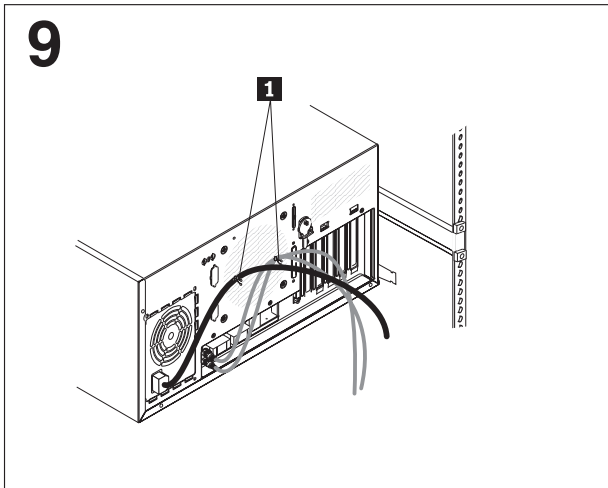
Note: To avoid injury, do not place your fingers around the rack-support wheels **1** when lowering the system onto the rails.



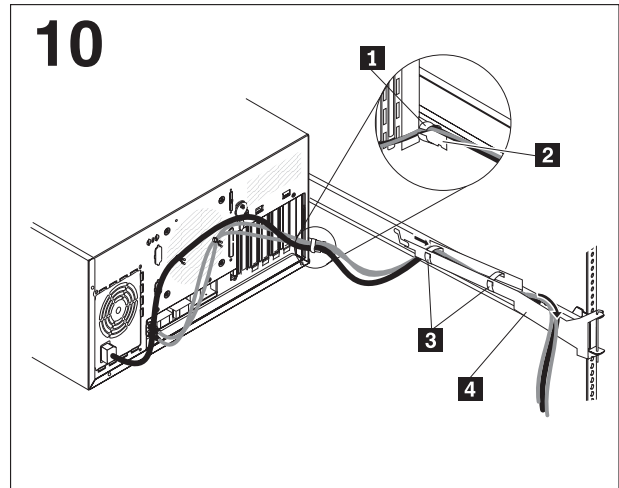
Use four M4 screws on each side of the system to secure the system to the rails; then, remove the rack-support wheels **1** and store them in a safe place.



Use two M4 screws to install the cable-retainer bracket **1** on the right-rear of the system. Tie the cables together by using the cable clamps **2** that come attached to the rear of the system.

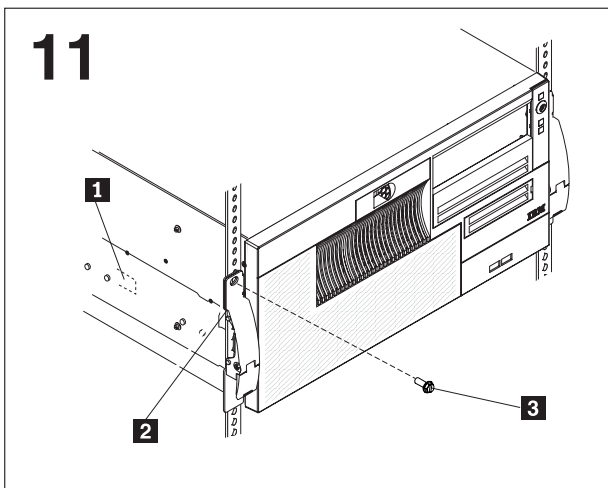


Attach the power, keyboard, mouse, and monitor cables (if required) to the system and route them through the cable clamps **1**; then, attach all other required cables to the system.



Use a cable strap **1** to attach all of the cables to the cable-retainer bracket **2** on the cable-management arm **4**.

Use cable straps **3** to secure cables to the cable-management arm.



Press in on the safety latch **1** and slide the system into the rack cabinet until the release latches **2** snap into place; then, insert the M6 screws **3** through the release-latch-bracket assembly.

Note: Inserting the M6 screws **3** is optional, unless you are moving the rack cabinet or the rack cabinet is located in a vibration-prone area.

Refer to your system documentation for additional information to complete your installation. Store this document with your system documentation for future reference.

(1P) P/N: 39Y5077

